



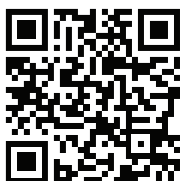
# HOSHIZAKI

## Parts List

Crescent Cuber With Storage Bin

Models

KM-250BAF, BWF



[hoshizakiamerica.com](http://hoshizakiamerica.com)

Number: 71169  
Issued: 5-1-2000  
Revised: 9-6-2017

## CONTENTS

Auxiliary Codes.....	3
Note About Ordering Parts .....	3
A. Main Assembly .....	4
KM-250BAF .....	4
KM-250BWF .....	6
B. Refrigeration Circuit.....	8
KM-250BAF .....	8
KM-250BWF.....	10
C. Water Circuit.....	12
D. Control Box Assembly.....	15

## **Auxiliary Codes**

### **KM-250BAF**

K-0 April 2000  
L-0 December 2000  
M-0 December 2001  
N-0 December 2002  
N-1 March 2003  
P-0 December 2003  
P-1 June 2004  
Q-0 December 2004  
R-0 December 2005

### **KM-250BWF**

K-0 May 2000  
L-0 January 2001  
M-0 December 2001  
M-1 April 2002  
M-0 February 2002  
M-1 May 2002  
N-0 December 2002  
N-1 March 2003  
P-0 December 2003  
Q-0 December 2004  
R-0 December 2005  
S-1 February 2007  
T-0 January 2008  
U-0 February 2009

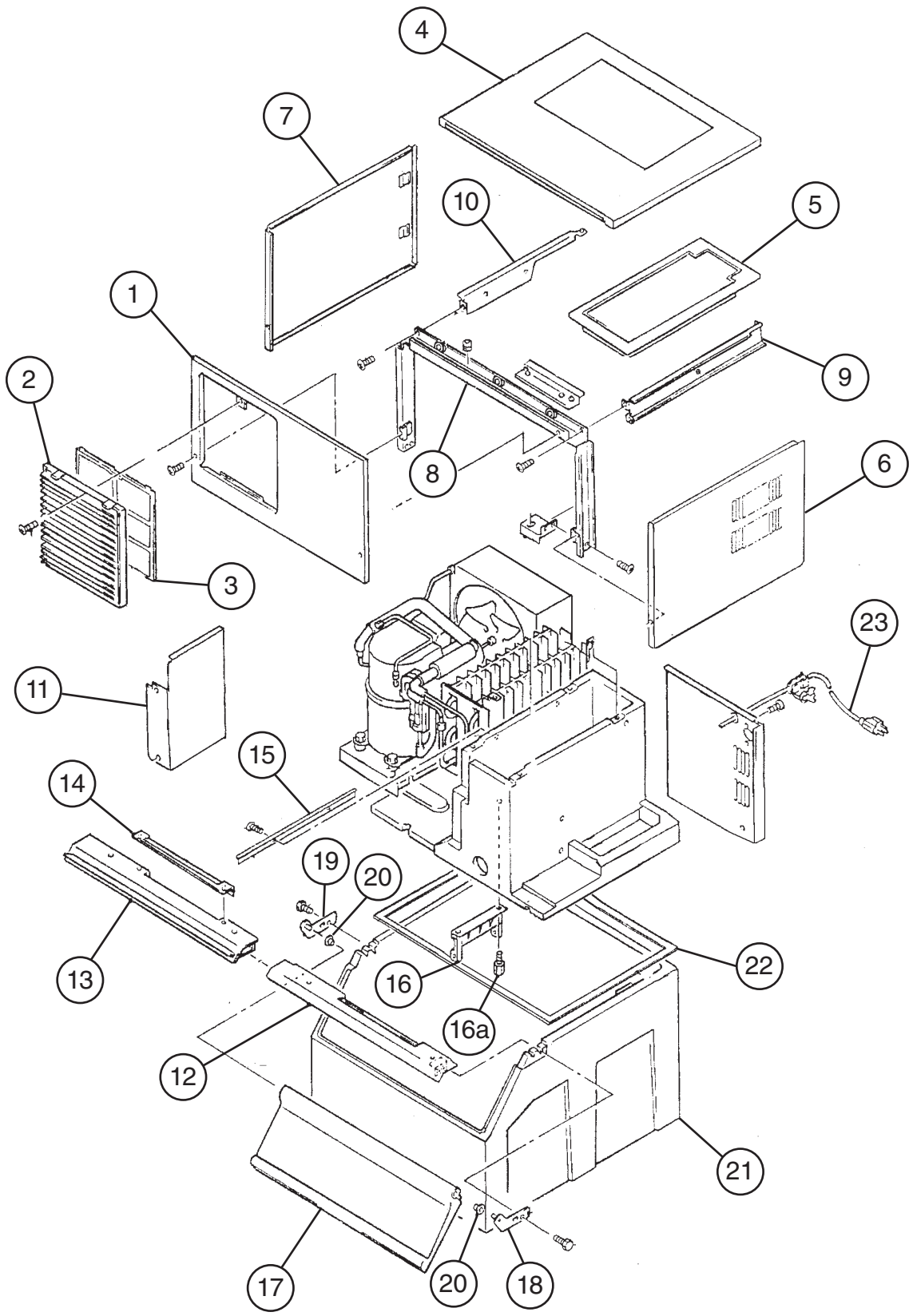
## **Auxiliary Code Breakdown**

The auxiliary code is the first two characters in the serial number. The first character indicates the year. Years progress or regress in alphabetical order. The series runs from "A" through "V" and the letters "I" and "O" are skipped. The second character indicates significant part changes within a year. Base is "0" and this number advances for each change. In cases where there is a letter in parentheses, this designates the month. This is the last character in the serial number. The series runs from "(A)" through "(M)" and the letter "(I)" is skipped. This designation is only included when identifying a parts change within an auxiliary code.

## **Note About Ordering Parts**

Most assemblies cannot be ordered as complete units; parts in the assemblies generally must be ordered separately.

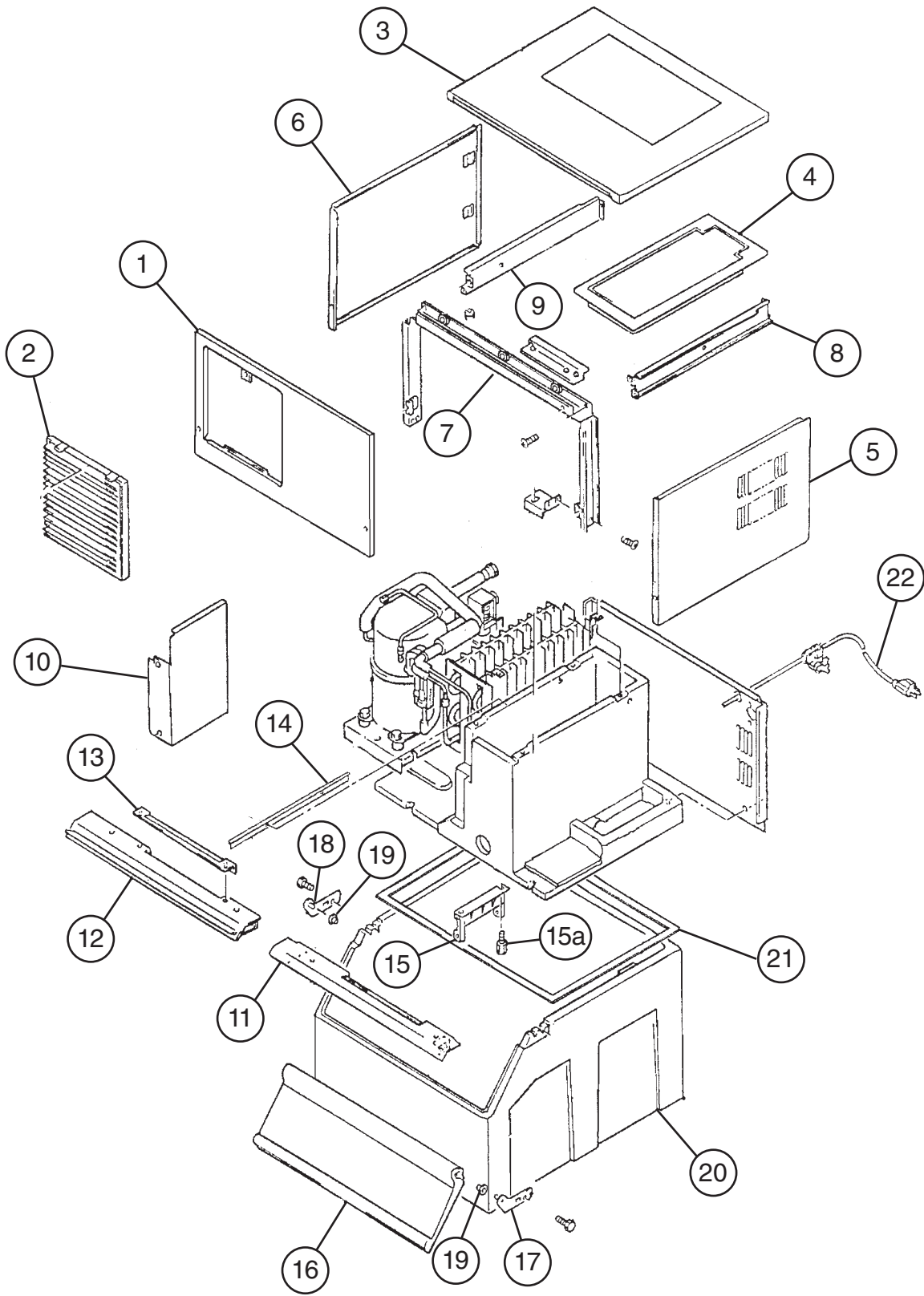
**A. Main Assembly**  
**KM-250BAF**  
K-0 to R-0



**Title: A. Main Assembly    Model: KM-250BAF**

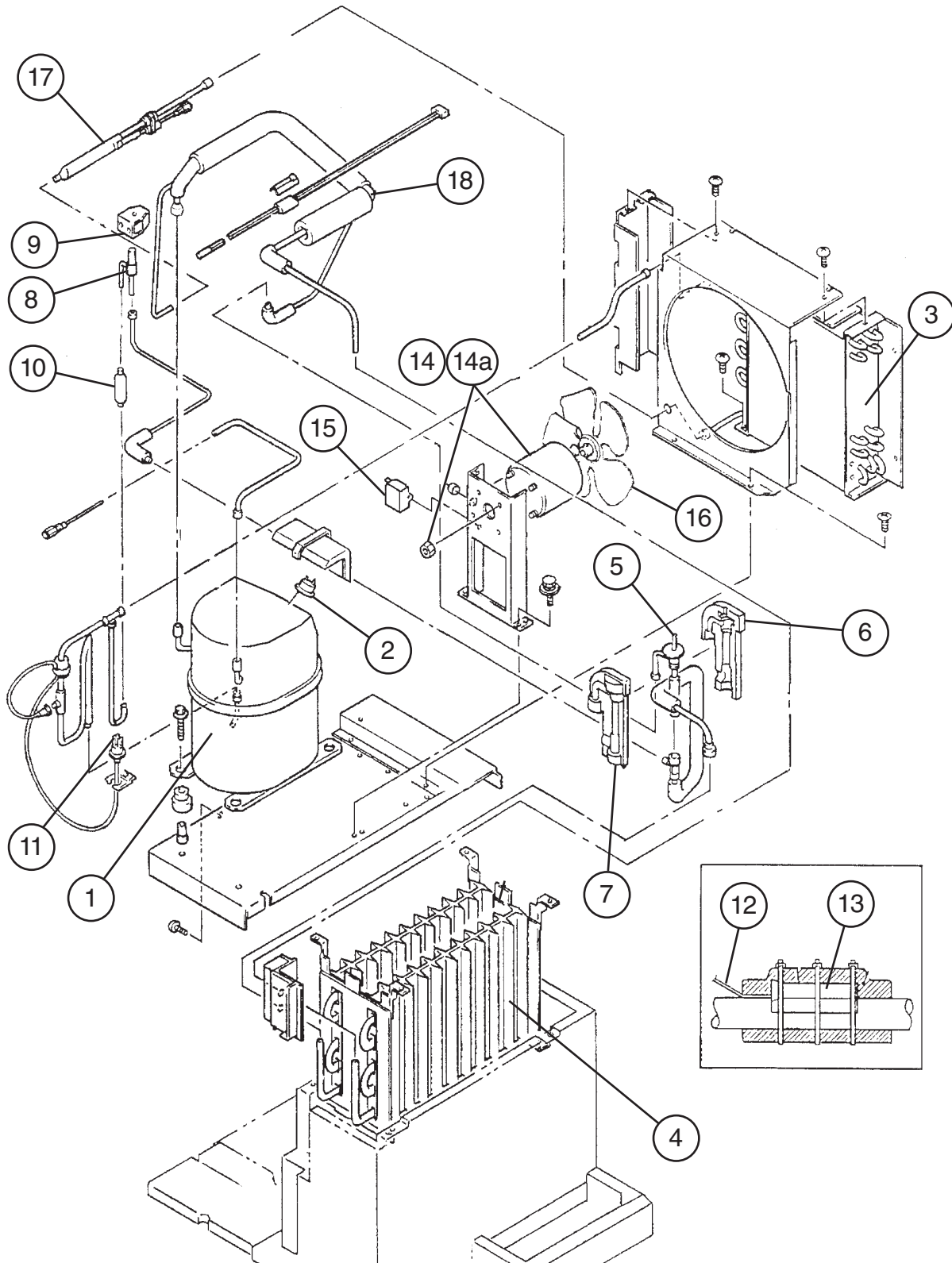
Index No.	Description	Material or Model Number	Part Number	K-0 to R-0	Required Number								
1	Front Panel		216843-01	1									
2	Louver		103121-03	1									
3	Air Filter		208283G03	1									
4	Top Panel		216841-01	1									
5	Top Insulation		327756G01	1									
6	Right Side Panel		216811G01	1									
7	Left Side Panel		216810G01	1									
8	Frame		218105G01	1									
9	Right Frame		329437-01	1									
10	Left Frame		329439-01	1									
11	Control Box Cover		2A2700-01	1									
12	Front Frame		329427G01	1									
13	Cover		327764-01	1									
14	Sheet		329828-01	1									
15	Hook		330442-01	1									
16	Bulb Holder		2A0190-01	1									
16a	Thumb Screw		441847G01	2									
17	Door		105927G01	1									
18	Right Hinge		441723G01	1									
19	Left Hinge		441722G01	1									
20	Spacer		431496G01	2									
21	Bin		105929G01	1									
22	Gasket	L=1885 mm	4A0753L01	1									
23	Power Supply Cord		4A1773-01	1									

**A. Main Assembly**  
**KM-250BWF**  
K-0 to U-0



Title: B. Main Assembly Model: KM-250BWF												
Index No.	Description	Material or Model Number	Part Number	K-0 to U-0	Required Number							
1	Front Panel		216843-01	1								
2	Louver		103121-03	1								
3	Top Panel		216841-01	1								
4	Top Insulation		327756G01	1								
5	Right Side Panel		216811G01	1								
6	Left Side Panel		216810G01	1								
7	Frame		218105G01	1								
8	Right Frame		329437-01	1								
9	Left Frame		329439-01	1								
10	Control Box Cover		2A2700-01	1								
11	Front Frame		329427G01	1								
12	Cover		327764-01	1								
13	Sheet		329828-01	1								
14	Hook		330442-01	1								
15	Bulb Holder		2A0190-01	1								
15a	Thumb Screw		441847G01	2								
16	Door		105927G01	1								
17	Right Hinge		441723G01	1								
18	Left Hinge		441722G01	1								
19	Spacer		431496G01	2								
20	Bin		105929G01	1								
21	Gasket	L=1885 mm	4A0753L01	1								
22	Power Supply Cord		4A1773-01	1								

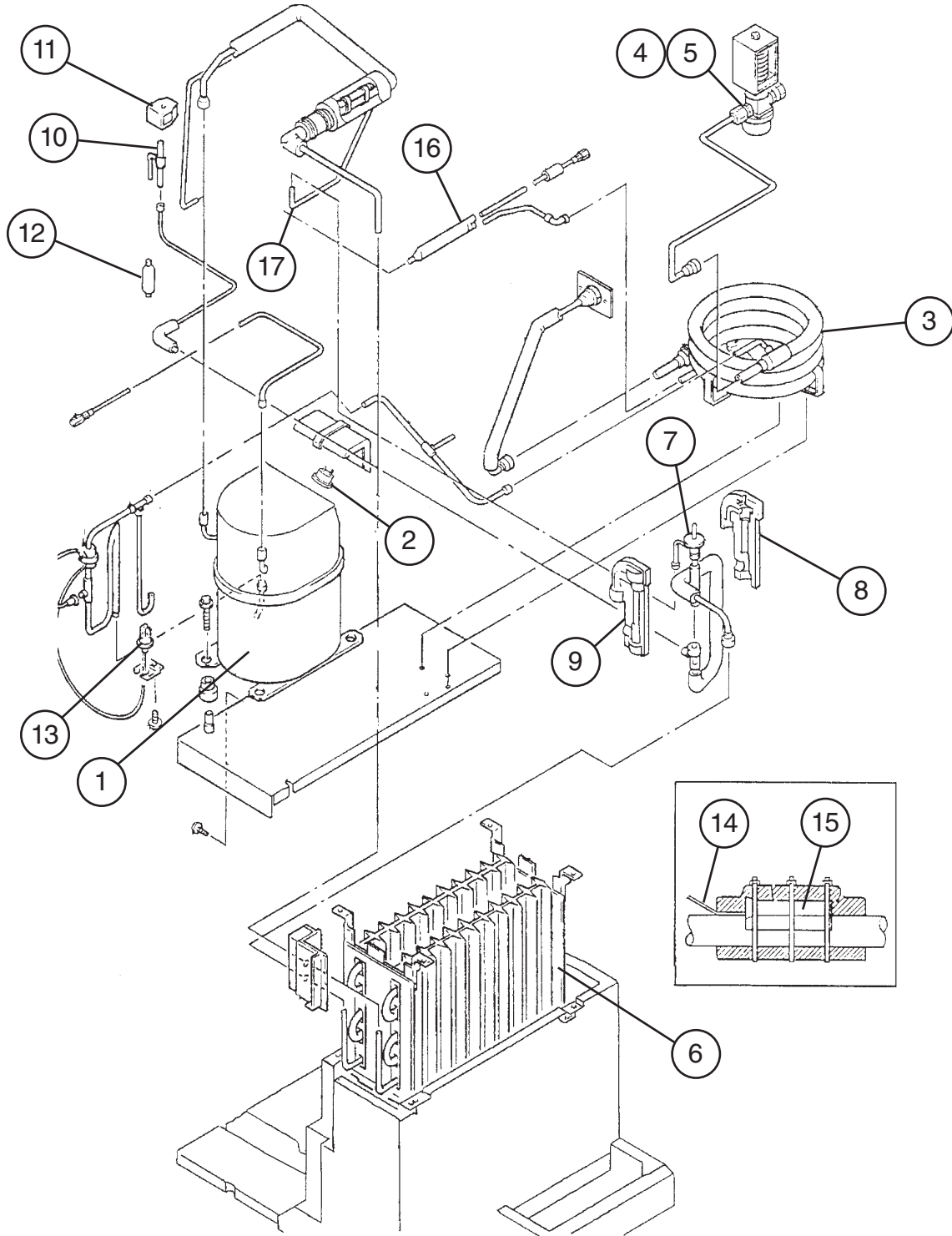
**B. Refrigeration Circuit**  
**KM-250BAF**  
K-0 to R-0





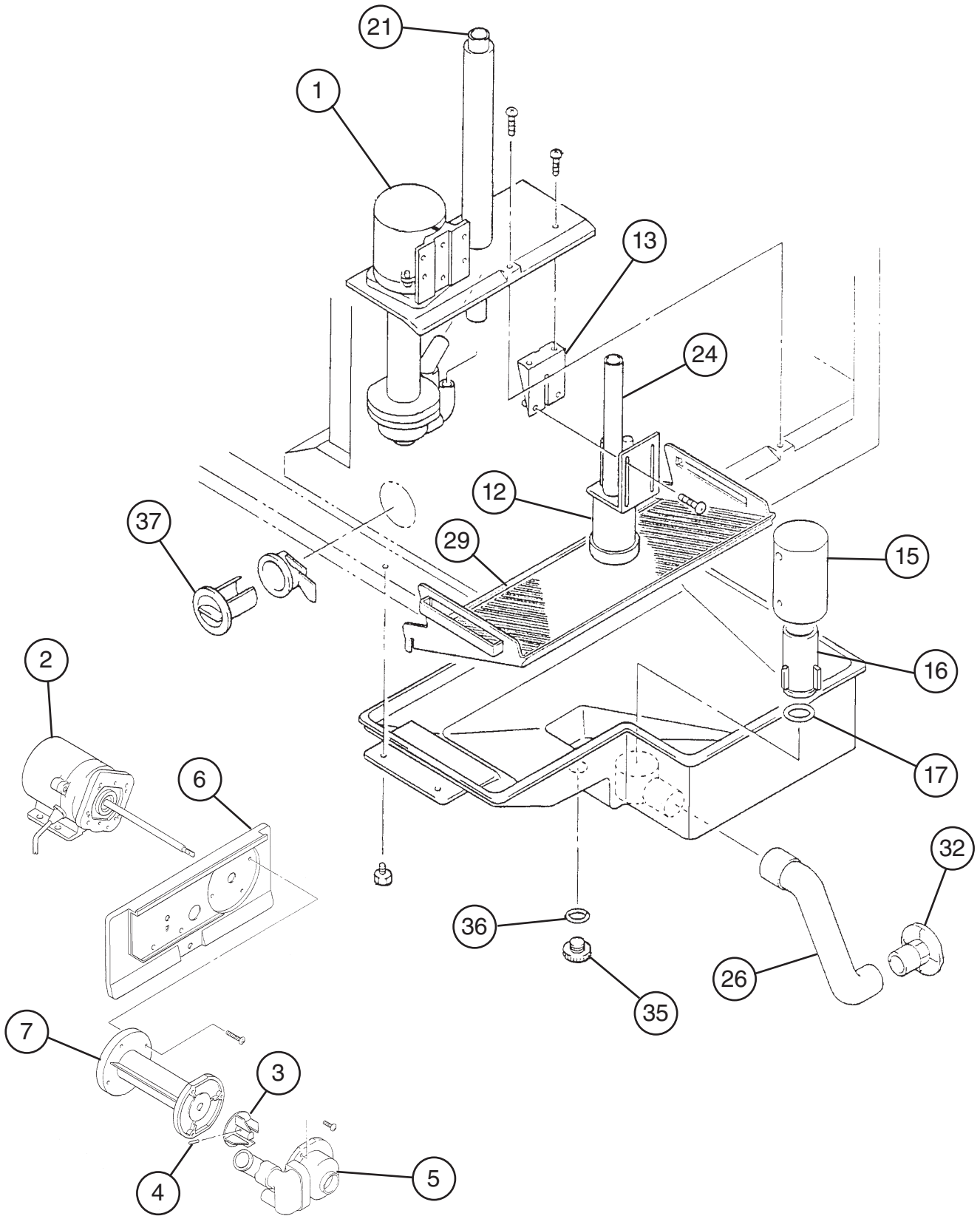
Title: B. Refrigeration Circuit Model: KM-250BAF											
Index No.	Description	Material or Model Number	Part Number	K-0 to R-0	Required Number						
1	Compressor	SB12-0004R1	4A2300-01	1							
2	Compressor Protector		4A1805-01	1							
3	Air-Cooled Condenser		216813-01	1							
4	Evaporator		105638G01	1							
5	Thermostatic Expansion Valve		4A2149-01	1							
6	Thermostatic Expansion Valve Cover (A)		329504-01	1							
7	Thermostatic Expansion Valve Cover (B)		329504-02	1							
8	Hot Gas Valve Body		4A3978-01	1							
9	Valve Coil		4A3277-01	1							
10	Strainer		441569-01	1							
11	High-Pressure Switch		433441-07	1							
12	Thermistor		429006-02	1							
13	Thermistor Holder		436455-01	1							
14	Fan Motor	FM116A	4A3158-01	1							
14a	Self Locking Nut		7N2110832	4							
15	Fan Motor Capacitor	5MFD, 250VAC	443192-02	1							
16	Fan Blade		444898-01	1							
17	Drier		4A2140-01	1							
18	Heat Exchanger		218376G02	1							

**B. Refrigeration Circuit**  
**KM-250BWF**  
K-0 to U-0

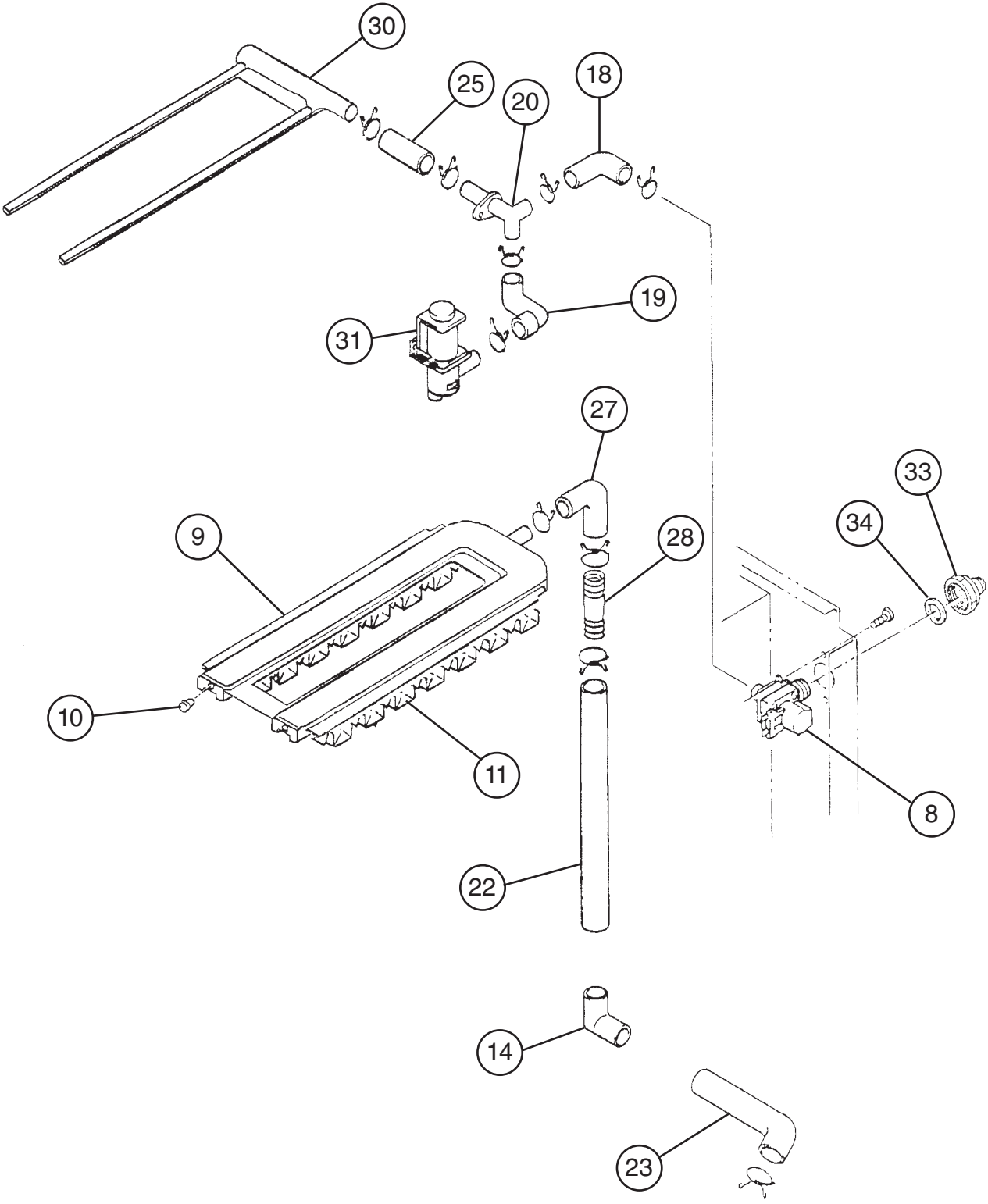


Title: B. Refrigeration Circuit    Model: KM-250BWF												
Index No.	Description	Material or Model Number	Part Number	K-0 to U-0	Required Number							
1	Compressor	SB12-0004R1	4A2300-01	1								
2	Compressor Protector		4A1805-01	1								
3	Water Cooled Condenser	HS-5097	218184G01	1								
4	Water Regulator		4A0911-06	1								
5	Male Connecor		4A1284-01	1								
6	Evaporator		105638G01	1								
7	Thermostatic Expansion Valve		4A2149-01	1								
8	Thermostatic Expansion Valve Cover (A)		329504-01	1								
9	Thermostatic Expansion Valve Cover (B)		329504-02	1								
10	Hot Gas Valve Body		4A3978-01	1								
11	Valve Coil		4A3277-01	1								
12	Strainer		441569-01	1								
13	High-Pressure Switch		433441-05	1								
14	Thermister		429006-02	1								
15	Thermister Holder		436455-01	1								
16	Drier		4A2140-01	1								
17	Heat Exchanger		218376G02	1								

**C. Water Circuit**  
**KM-250B\_F**  
K-0 to U-0  
1/2

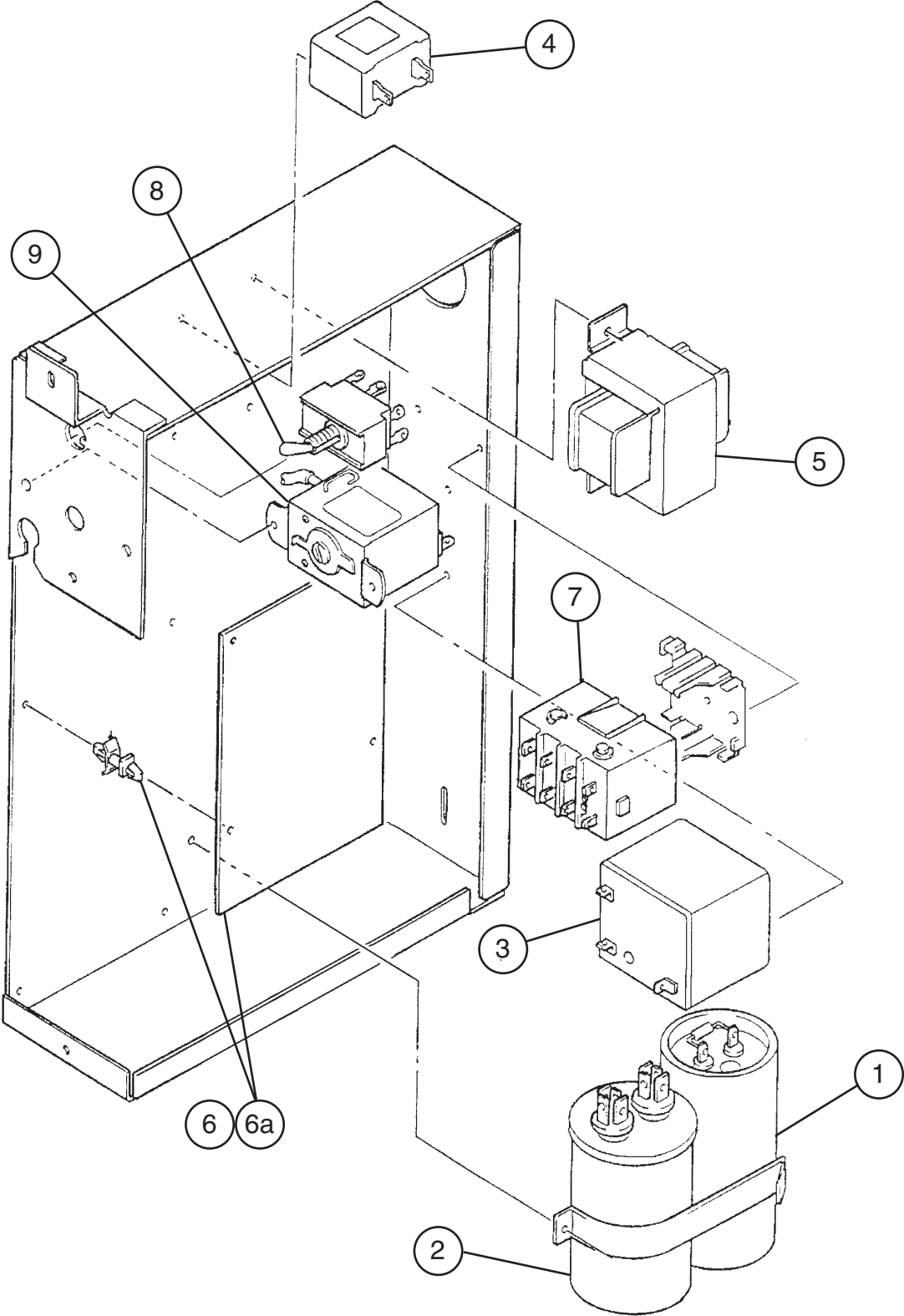


**C. Water Circuit**  
**KM-250B\_F**  
K-0 to U-0  
2/2



Title: C. Water Circuit Model: KM-250B_F												
Index No.	Description	Material or Model Number	Part Number	K-0 to U-0	Required Number							
1	Pump Motor Assembly	S-0759	216963A01	1								
2	Pump Motor		3U0146-01	1								
3	Impeller		433522-01	1								
4	Pin		4A0648-01	1								
5	Pump Housing Assembly		327772G01	1								
6	Pump Motor Bracket		105926-01	1								
7	Pump Shaft Cover		216281-01	1								
8	Inlet Water Valve		3U0145-01	1								
9	Water Spray Tube		1A0066-01	1								
10	Plug		4A0176-01	2								
11	Spray Guide		208586-01	1								
12	Float Switch		4A3624-01	1								
13	Float Switch Bracket		327757-01	1								
14	Elbow		436311-01	1								
15	Overflow Cap		327769-01	1								
16	Overflow Pipe		327771-01	1								
17	O-Ring		4A1234-01	1								
18	Distributor Hose (B)		443489-01	1								
19	Distributor Hose (C)		443491-01	1								
20	Joint		443490-01	1								
21	Vinyl Hose	L=350 mm	7716-1519	1								
22	Vinyl Hose	L=310 mm	7716-2025	1								
23	Vinyl Hose	L=200 mm	7716-2025	1								
24	Vinyl Hose	L=150 mm	7716-1216	1								
25	Vinyl Hose	L=40 mm	7716-1216	1								
26	Tank Drain Hose		327751-01	1								
27	Elbow		4A0393-01	1								
28	Coupling Insert		4A0362-01	1								
29	Cube Guide		218436G01	1								
30	Water Supply Tube		2A0198-01	1								
31	Cleaning Valve		439322-01	1								
32	Drain (A)		329078-01	1								
33	Fitting (A)		4A3240-01	1								
34	Rubber Gasket		413854-01	1								
35	Drain		309246-01	1								
36	O-Ring		7611-P015	1								
37	Cap		443278-01	1								
<b>Hose Clamps</b>												
	Hose Clamp	18 mm	427443-05	7								
		20 mm	427443-06	1								
		25 mm	427443-03	3								
		23 mm	127443-10	1								

**D. Control Box Assembly**  
**KM-250B\_F**  
K-0 to U-0



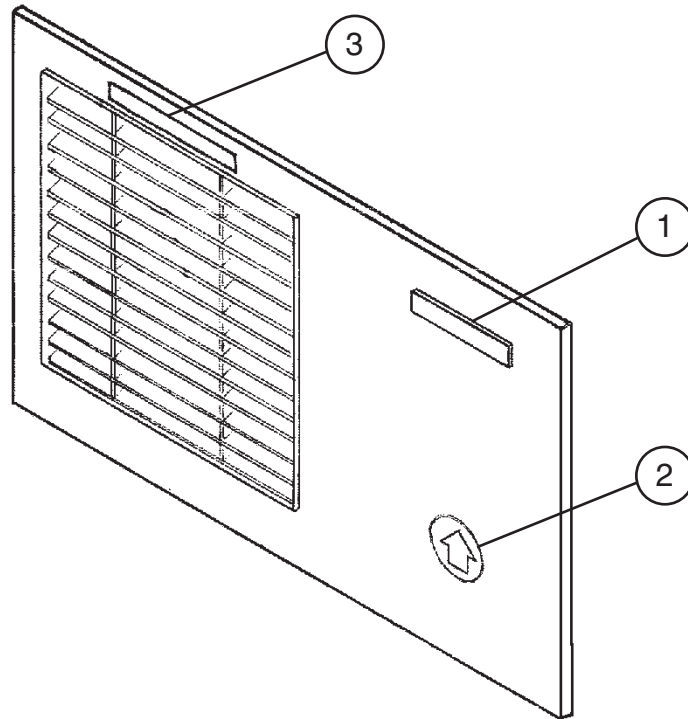
Title: D. Control Box Assembly Model: KM-250B_F												
Index No.	Description	Material or Model Number	Part Number	K-0 to U-0	Required Number							
1	Start Capacitor (See SB12-0004R1 if compressor replaced)	15MFD, 370VAC	3A0076-10	1								
		243-292MFD, 115VAC SB12-0004R1	3A0076-20	1								
2	Run Capacitor	35MFD, 370VAC SB12-0004R1	3A2005-08	1								
3	Start Relay		4A1107-11	1								
4	Pump Motor Capacitor	5.5MFD, 250VAC	443192-03	1								
5	Control Transformer		3A0172-01	1								
6	Control Board		2A1410-01	1								
6a	Control Board Support		4A0336-03	4								
7	Magnetic Contactor		428393-01	1								
8	Toggle Switch		443119-01	1								
9	Bin Control Thermostat		324558A02	1								



E. Accessories & Labels

**KM-250B\_F**

K-0 to U-0



Title: E. Accessories & Labels    Model: KM-250B_F					Required Number								
Index No.	Description	Material or Model Number	Part Number	K-0 to U-0									
					1	Hoshizaki Emblem Label		4A0560-01	1				
2	Penguin Label		4A0526-02	1									
3	Air Filter Label	<b>KM-250BAF</b>	426177-01	1									
4	Scoop		443495-01	1									
5	Adjustable Leg		444138-01	4									