

NO.: U1PE-1377  
ISSUED: FEB. 10, 1993  
REVISED: NOV. 18, 1996



**HOSHIZAKI  
CRESCENT CUBER  
WITH STORAGE BIN**

**MODEL KM-250BAC  
KM-250BWC**

**PARTS LIST**

## MATERIAL ABBREVIATIONS

### PLASTIC

ABS	=	Acrylonitrile-butadien-styrene
AC	=	Polyacetal
EVA	=	Ethylene vinyl acetate
PA	=	Polyamide =Nylon
PC	=	Polycarbonate
PE	=	Polyethylene
PES	=	Polyester
PETP	=	Polyethylene terephthalate =Tetlon
PP	=	Polypropyleneoride
PS	=	Polystyrene
PTFE	=	Polytetrafluoroethylene =Teflon
PUR	=	Polyurethane
PVC	=	Polyvinyl chloride

### RUBBER

EPDM	=	EP rubber
NBR	=	Nitrile butadiene rubber
NR	=	Natural rubber
SI.R	=	Silicone rubber
SY.R	=	Synthetic rubber

### STEEL

G.S	=	Galvanized steel
S.S	=	Stainless steel

## AUXILIARY CODE

Ex.1 K-0  
Parts are the same as in the preceding year.  
"K" is the tenth in alphabetical order with "I" skipped. So, "K" indicates "1990".

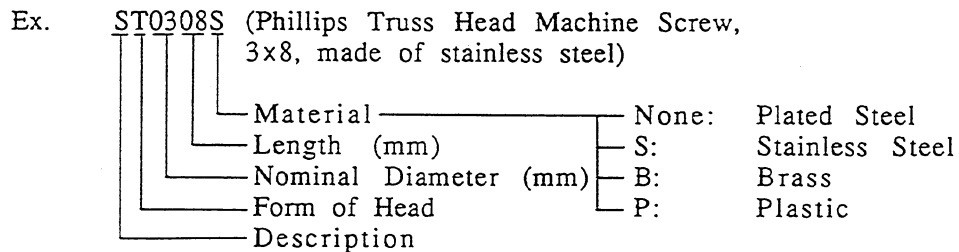
Ex.2 A-1  
"A" is the first in alphabetical order. So, "A" indicates "1991".

Ex.3 A-2  
Each time a part is changed in a year, this number advances.

(Note) - =Part deleted.  
X=Part deleted and replaced by "O" part.  
O=New part for "X" in the same auxiliary code.

## FASTENER ABBREVIATION LIST

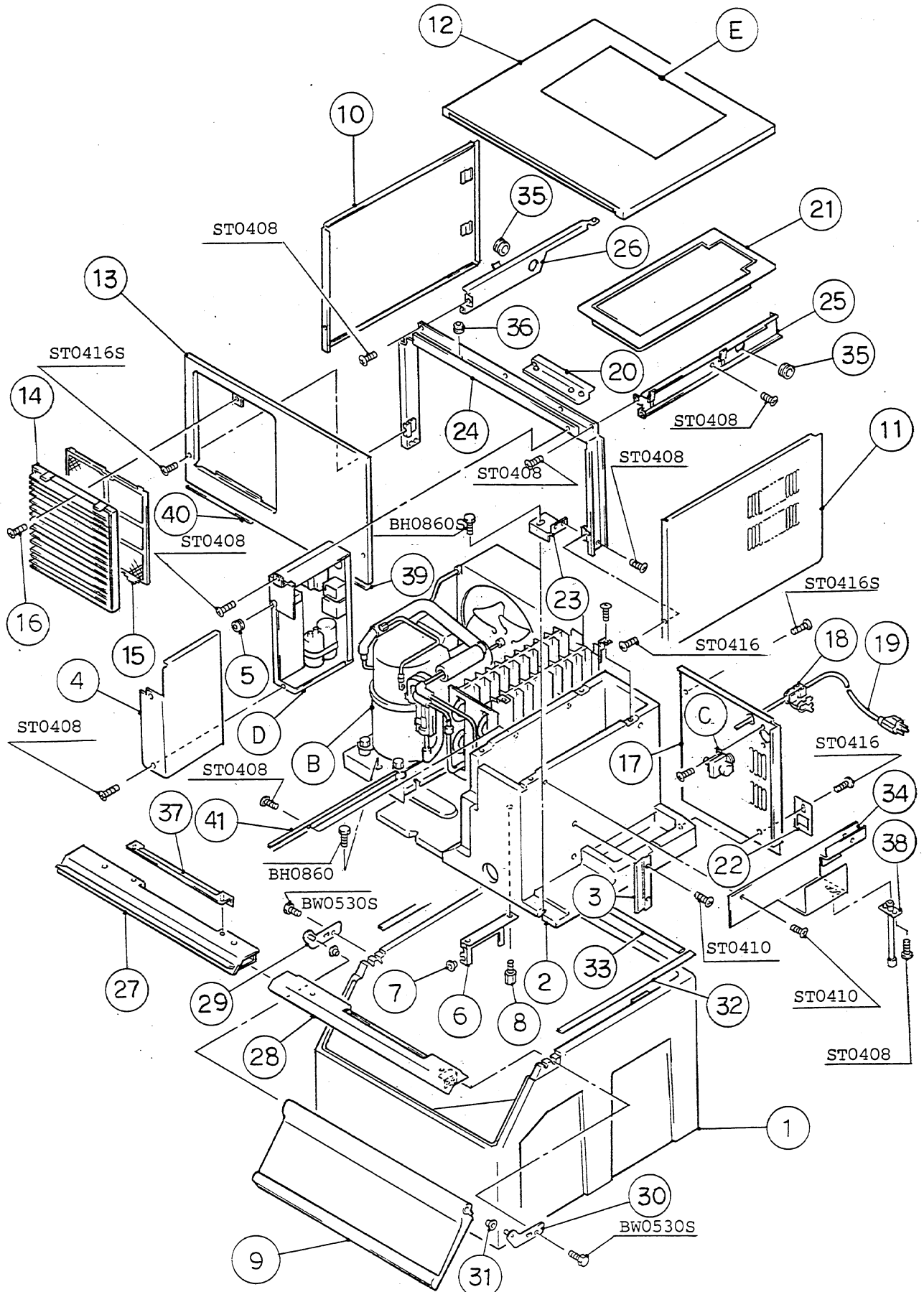
ST	Phillips Truss Head Machine Screw
SP	Phillips Pan Head Machine Screw
SF	Phillips Flat Head Machine Screw
SS	Phillips Pan Head Machine Screw with Split Lock Washer
SW	Phillips Pan Head Machine Screw with Split Lock Washer and Flat Washer
T1	Phillips Truss Head Tapping Screw (Correspond to Type A)
T2	Phillips Truss Head Tapping Screw (Correspond to Type B)
T3	Phillips Truss Head Tapping Screw (Correspond to Type C)
FT	Phillips Truss Head Tapping Screw (Special)
BH	Hexagon Head Bolt
BC	Socket Head Cap Screw
BS	Hexagon Bolt with Split Washer
BW	Hexagon Bolt with Split Washer and Flat Washer
BF	Hexagon Flange Bolt
BR	Cross-Recessed Hexagon Head Bolt
BRW	Cross-Recessed Hexagon Head Bolt with Split Lock Washer and Flat Washer
WL	Split Lock Washer
WT	External Tooth Washer
WF	Flat Washer
WS	Spring Washer
NH	Hexagon Nut
NF	Hexagon Flange Nut
NC	Hexagon Cap Nut
NS	Square Nut
NW	Wing Nut



(Note) Second character is numerical except the list.

Ex. S1, S2, B3 etc.

And abbreviations and names are shown under the illustration.

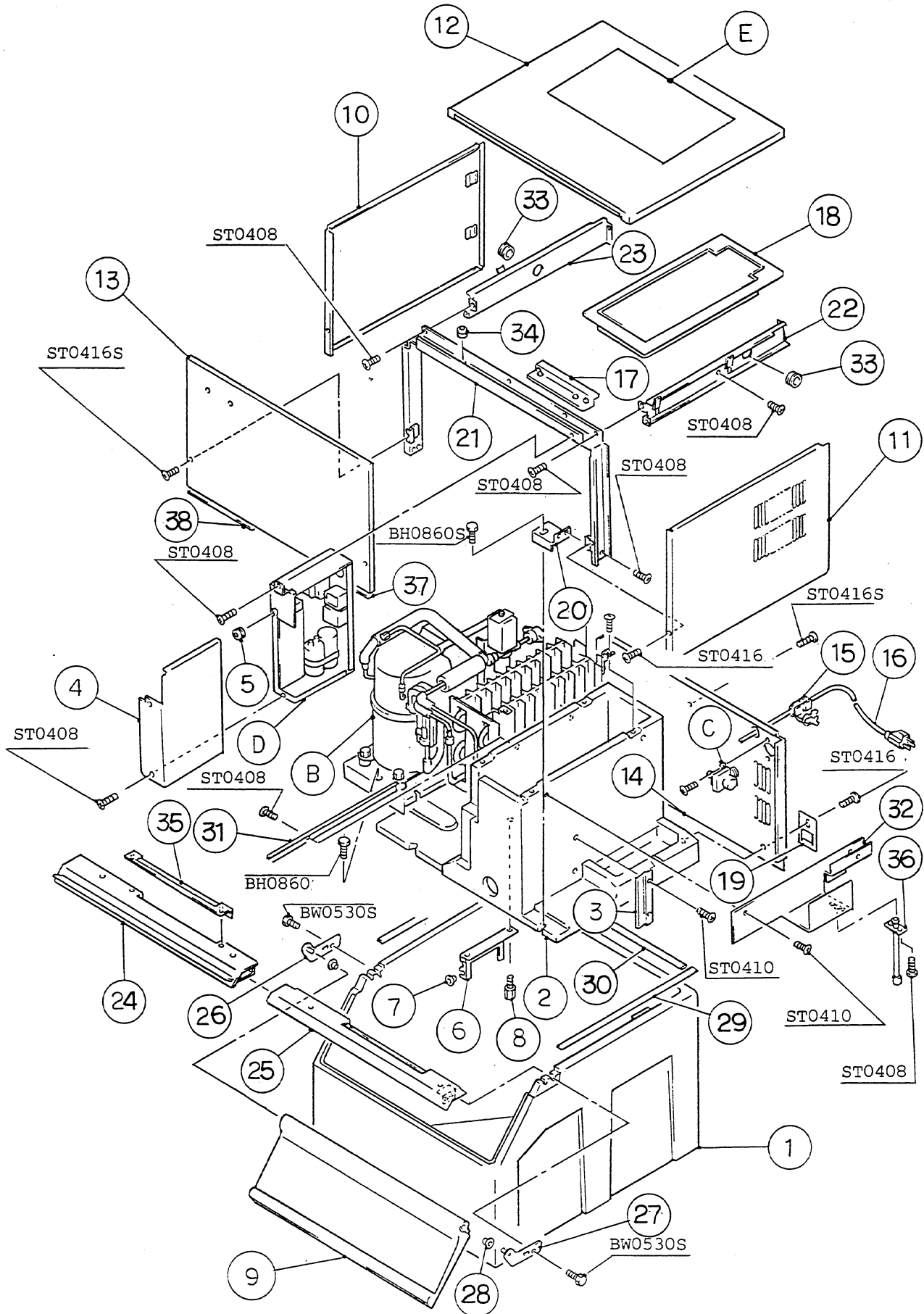


HA

MODEL: KM-250BAC TITLE: A. ICE CUBER ASSY							
INDEX NO.	DESCRIPTION	MATERIAL OR MODEL NUMBER	PART NUMBER	REQ'D NUMBER			
				C-1			
B	REFRIGERATION CIRCUIT	-	106028A02	1			
C	WATER CIRCUIT	-	105672A01	1			
D	CONT. BOX ASSY	-	216975A01	1			
E	LABEL LOCATION	-	329498A01	1			
1	BIN	-	218178G01	1			
2	BODY	-	217214G01	1			
3	CONT. BOX GUIDE	G.S	441714-01	1			
4	CONT. BOX COVER	G.S	216867-02	1			
5	BUSHING	OCB-500	428394-02	1			
6	BULB HOLDER	S.S	327812-01	1			
7	CAPILLARY RING	EP RUBBER	425307-01	2			
8	THUMBSCREW	S.S, ABS	441847G01	2			
9	DOOR	PE	105927-01	1			
10	SIDE PANEL (L)	G.S	216810G01	1			
11	SIDE PANEL(R)	G.S	216811G01	1			
12	TOP PANEL	S.S	216841-01	1			
13	FRONT PANEL	G.S	216843-01	1			
14	LOUVER (B)	ABS	103121-01	1			
15	AIR FILTER (B)	ABS	208283G01	1			
16	TAPPING SCREW - BLACK	STEEL,4x8	433954-01	1			
17	REAR PANEL	G.S	216808-01	1			
18	BUSHING	SR-7K-2	420472-02	1			
19	POWER SUPPLY CODE	AEC-30	440894-01	1			
20	BUSHING	EPDM	327768-01	1			
21	TOP INSULATION	PS	327756G01	1			
22	BRACE	G.S	441739-01	2			
23	BRACKET	G.S	443596-01	1			
24	FRAME	G.S	218105G01	1			
25	FRAME (R)	G.S	329437G01	1			
26	FRAME (L)	G.S	329439G01	1			
27	COVER	ABS	327764-01	1			

HA

MODEL: KM-250BAC TITLE: A. ICE CUBER ASSY							
INDEX NO.	DESCRIPTION	MATERIAL OR MODEL NUMBER	PART NUMBER	REQ'D NUMBER			
				C-1			
28	FRONT FRAME	S.S	329427G01	1			
29	HINGE (L)	S.S	441722G01	1			
30	HINGE (R)	S.S	441723G01	1			
31	COLLAR	AC	431496-01	2			
32	PACKING (A)	PVC	443520-01	2			
33	PACKING (B)	PVC	443520-02	1			
34	BARRIER	G.S	443974G01	1			
35	BUSHING	SB-1093-15	420470-03	2			
36	BUSHING	SB-625-8	420470-01	1			
37	SHEET	EPDM	329828-01	1			
38	CONDUIT	COPPER	443988G01	1			
39	PACKING (C)	PVC	443520-03	1			
40	PACKING (D)	PVC	443520-04	1			
41	HOOK	S.S	330442-01	1			

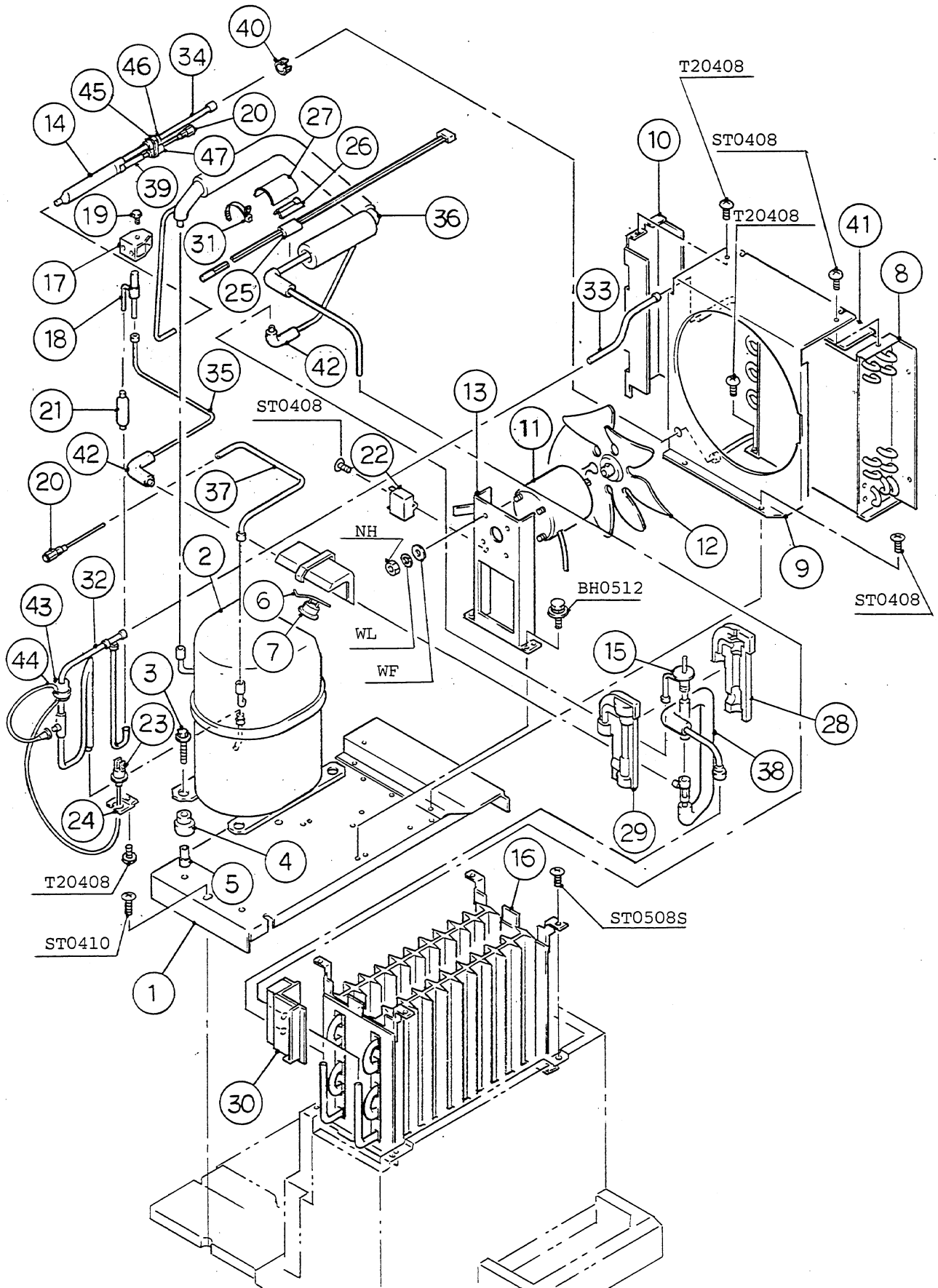


HA

MODEL: KM-250BWC TITLE: A. ICE CUBER ASSY							
INDEX NO.	DESCRIPTION	MATERIAL OR MODEL NUMBER	PART NUMBER	REQ'D NUMBER			
				C-1			
B	REFRIGERATION CIRCUIT	-	1A0054A01	1			
C	WATER CIRCUIT	-	105672A01	1			
D	CONT. BOX ASSY	-	216975A01	1			
E	LABEL LOCATION	-	329497A01	1			
1	BIN	-	218178G01	1			
2	BODY	-	217214G01	1			
3	CONT. BOX GUIDE	G.S	441714-01	1			
4	CONT. BOX COVER	G.S	216867-02	1			
5	BUSHING	OCB-500	428394-02	1			
6	BULB HOLDER	S.S	327812-01	1			
7	CAPILLARY RING	EP RUBBER	425307-01	2			
8	THUMBSCREW	S.S, ABS	441847G01	2			
9	DOOR	PE	105927-01	1			
10	SIDE PANEL (L)	G.S	216810G01	1			
11	SIDE PANEL(R)	G.S	216811G01	1			
12	TOP PANEL	S.S	216841-01	1			
13	FRONT PANEL	G.S	216842-01	1			
14	REAR PANEL	G.S	216809G01	1			
15	BUSHING	SR-7K-2	420472-02	1			
16	POWER SUPPLY CODE	AEC-30	440894-01	1			
17	BUSHING	EPDM	327768-01	1			
18	TOP INSULATION	PS	327756G01	1			
19	BRACE	G.S	441739-01	2			
20	BRACKET	G.S	443596-01	1			
21	FRAME	G.S	218105G01	1			
22	FRAME (R)	G.S	329437G01	1			
23	FRAME (L)	G.S	329438G01	1			
24	COVER	ABS	327764-01	1			
25	FRONT FRAME	S.S	329427G01	1			
26	HINGE (L)	S.S	441722G01	1			
27	HINGE (R)	S.S	441723G01	1			





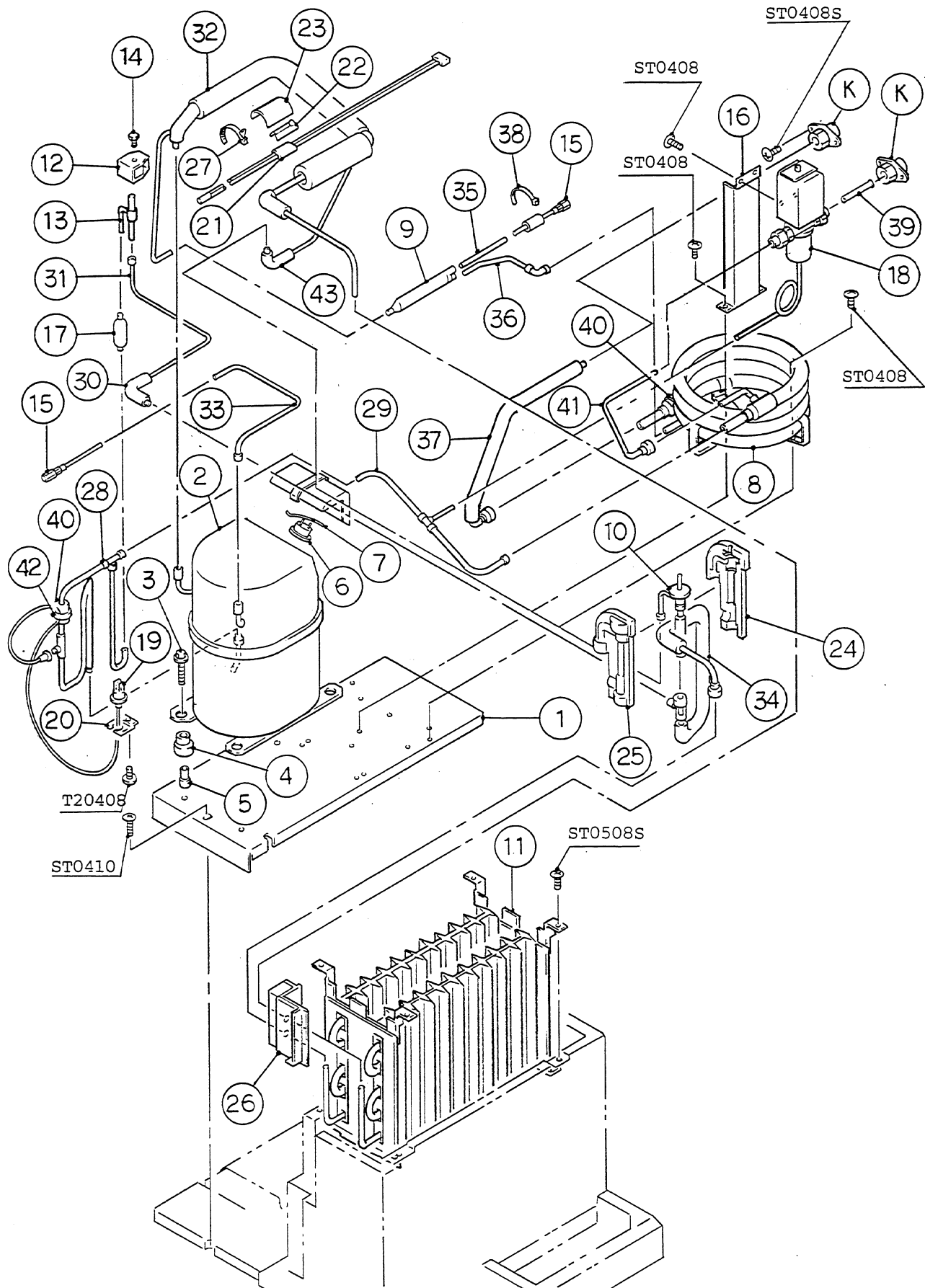


HA

MODEL: KM-250BAC TITLE: B. REFRIGERATION CIRCUIT							
INDEX NO.	DESCRIPTION	MATERIAL OR MODEL NUMBER	PART NUMBER	REQ'D NUMBER			
				C-1			
1	BASE	G.S	329441G02	1			
2	COMPRESSOR	RSU4-0050-CAA	436634-01	1			
3	BOLT	8x45	437889-01	3			
4	GROMMET	027-0073-00	434403-01	4			
5	SPACER	027-0072-02	434404-01	4			
6	PROTECTOR	071-0370-30	437340-01	1			
7	PROTECTOR HOLDER	-	437339-01	1			
8	CONDENSER	-	216813-01	1			
9	SHROUD (A)	G.S	216829-01	1			
10	FRAME (C)	G.S	329436-01	1			
11	FAN MOTOR	U90B1, 7190-1031	440911-01	1			
12	FAN BLADE	-	443972-01	1			
13	FAN MOTOR BRACKET	G.S	327754G01	1			
14	DRIER	KC-7424	437028-01	1			
15	EXP. VALVE	HFE-5RHDU-2	443611-01	1			
16	EVAPORATOR	-	105638G01	1			
17	VALVE BODY	24	440351-01	1			
18	COIL VALVE	ADS-24HD-3	440354-01	1			
19	BOLT	M4x0.7	440354F01	1			
20	ACCESS VALVE	TCJ-2F15-HD	417366-01	2			
21	STRAINER	-	441569-01	1			
22	CAPACITOR	5MFD, 250V	443192-02	1			
23	PRESSURE SWITCH	ACB-2UB04	433441-05	1			
24	PRESSURE SWITCH BRACKET	G.S	434938-01	1			
25	THERMISTOR	-	429006-02	1			
26	HOLDER - THERMISTOR	COPPER	436455-01	1			
27	INSULATION - THERMISTOR	PE FOAM	427441-01	1			
28	EXP. VALVE COVER (A)	PE FOAM	329504-01	1			
29	EXP. VALVE COVER (B)	PE FOAM	329504-02	1			
30	RUBBER TUBE	EPDM	327987G01	1			

HA

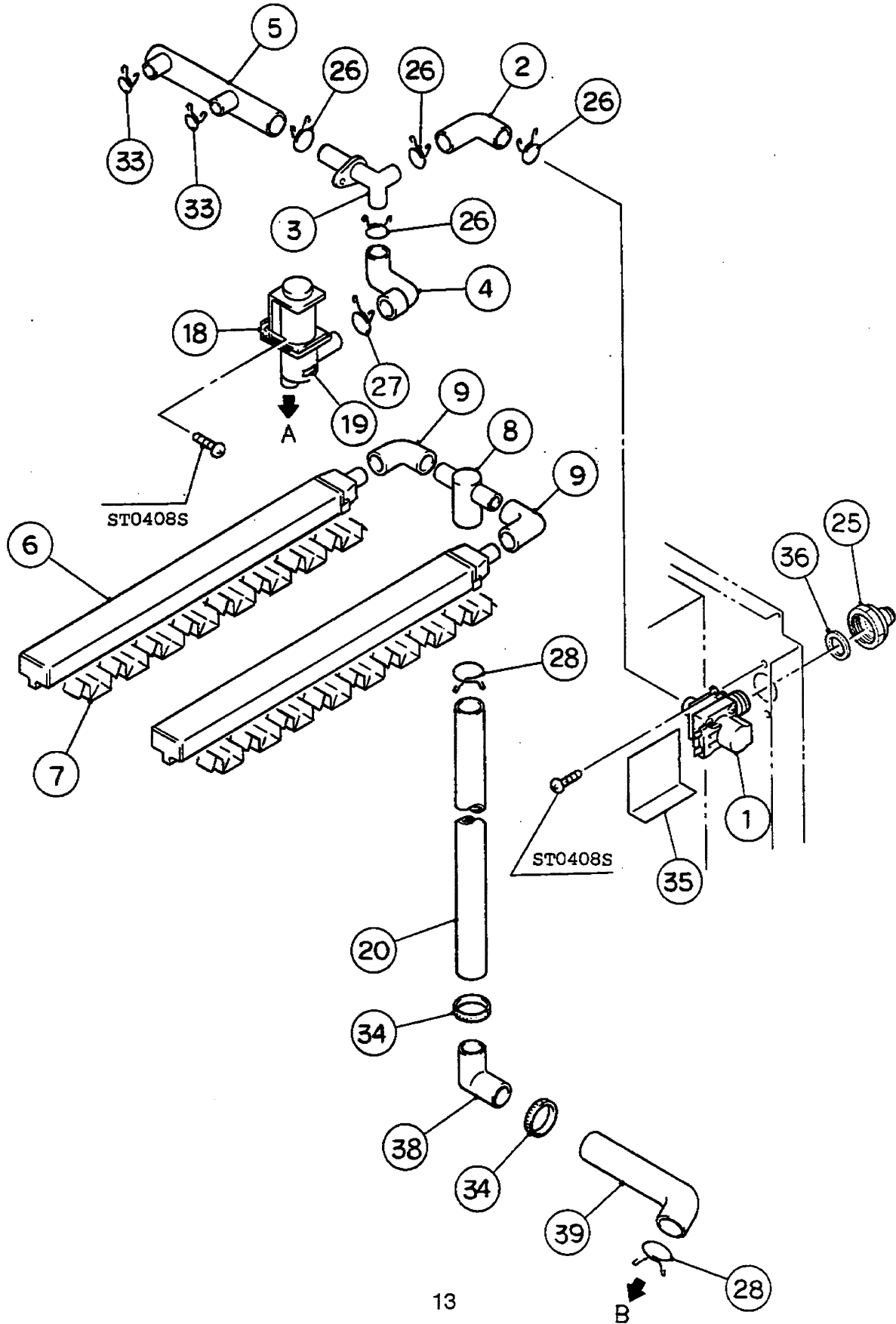
MODEL: KM-250BAC TITLE: B. REFRIGERATION CIRCUIT							
INDEX NO.	DESCRIPTION	MATERIAL OR MODEL NUMBER	PART NUMBER	REQ'D NUMBER			
				C-1			
31	CLAMP	D11-S	435254-04	2			
32	COPPER TUBE (A) - HIGH SIDE	COPPPR	329684G01	1			
33	COPPER TUBE (B) - HIGH SIDE	COPPER	443789-01	1			
34	COPPER TUBE - CONDENSER	COPPER	4A0195-01	1			
35	COPPER TUBE (B) - HOT GAS	COPPER	329681-01	1			
36	HEAT EXCHANGER	COPPER	218376G01	1			
37	COPPER TUBE - ACCESS VALVE	COPPER	443797-01	1			
38	COPPER TUBE (A) - LOW SIDE	COPPER	329683G01	1			
39	COPPER TUBE (A) - DRIER	COPPER	443794-01	1			
40	BUSHING	OCB-625	428394-03	1			
41	INSULATION SHEET	PE FOAM	444686-01	1			
42	INSULATION TUBE	L=80	7762-1020	2			
43	INSULATION TUBE	L=40	7762-2030	1			
44	TIE	CV-100	7920-0002	1			
45	TIE	CV-200	7920-0010	5			
46	INSULATION TUBE	L=40	7762-0717	1			
47	INSULATION TUBE	L=40	7762-1020	1			



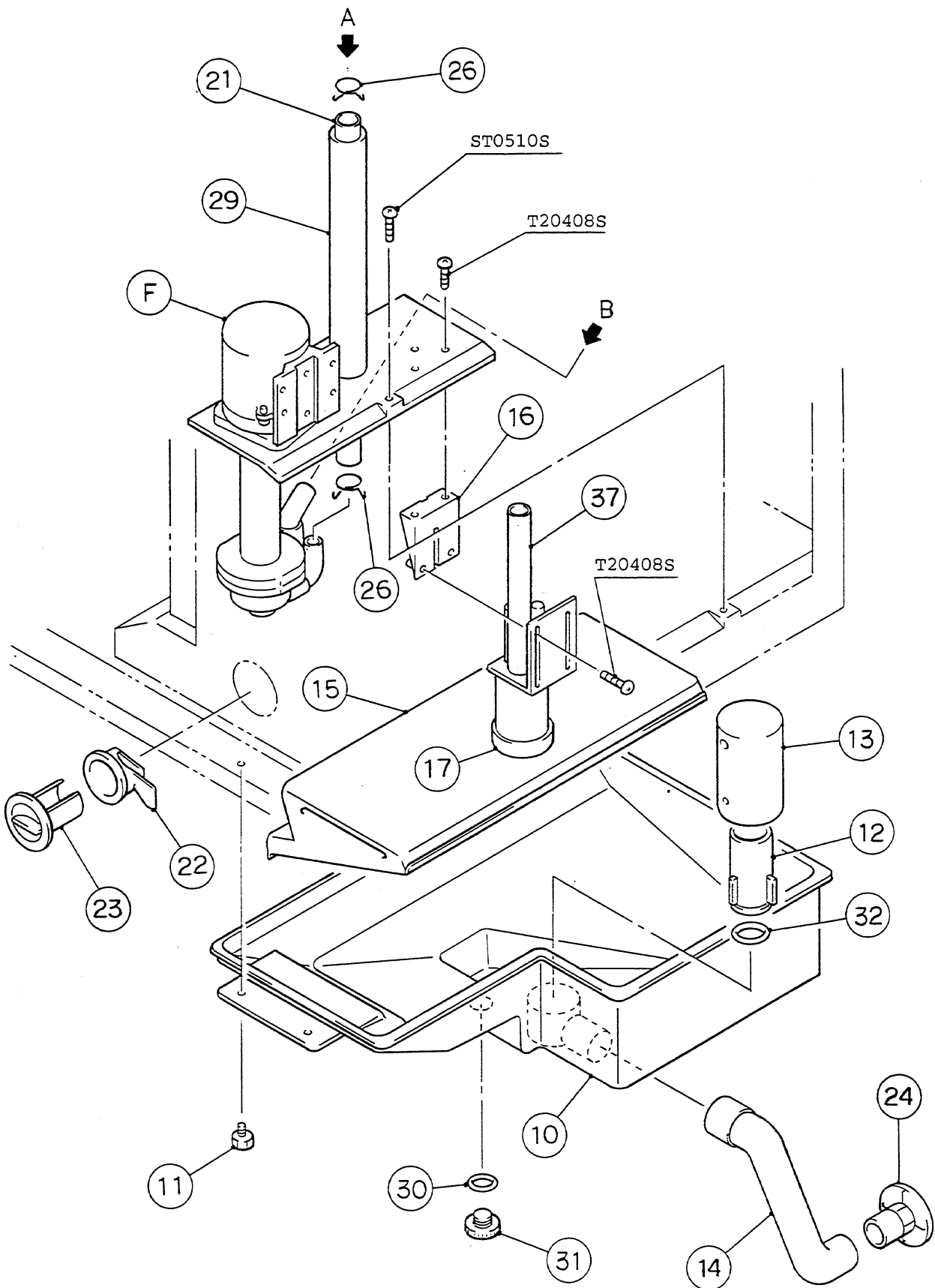
HA

MODEL: KM-250BWC		TITLE: B. REFRIGERATION CIRCUIT					
INDEX NO.	DESCRIPTION	MATERIAL OR MODEL NUMBER	PART NUMBER	REQ'D NUMBER			
				C-1			
J	FITTING (P) ASSY	(S-0351)	311425A01	1			
1	BASE	G.S	329440G02	1			
2	COMPRESSOR	RSU4-0050-CAA	436634-01	1			
3	BOLT	8x45	437889-01	3			
4	GROMMET	027-0073-00	434403-01	4			
5	SPACER	027-0072-02	434404-01	4			
6	PROTECTOR	071-0370-30	437340-01	1			
7	PROTECTOR HOLDER	-	437339-01	1			
8	CONDENSER - WATER COOLED	(S-0080)	218184G01	1			
9	DRIER	KC-7424	437028-01	1			
10	EXP. VALVE	HFE-5RH DU-2	443611-01	1			
11	EVAPORATOR	-	105638G01	1			
12	VALVE BODY	24	440351-01	1			
13	COIL VALVE	ADS-24HD-3	440354-01	1			
14	BOLT	M4x0.7	440354F01	1			
15	ACCESS VALVE	TCJ-2F15-HD	417366-01	2			
16	WATER REGULATOR BRACKET	G.S	438742-01	1			
17	STRAINER	-	441569-01	1			
18	WATER - REGULATOR	WV11-33RHD	415425-01	1			
19	PRESSURE SWITCH	ACB-2UB02	433441-01	1			
20	PRESSURE SWITCH BRACKET	G.S	434938-01	1			
21	THERMISTOR	-	429006-02	1			
22	HOLDER - THERMISTOR	COPPER	436455-01	1			
23	INSULATION - THERMISTOR	PE FOAM	427441-01	1			
24	EXP. VALVE COVER (A)	PE FOAM	329504-01	1			
25	EXP. VALVE COVER (B)	PE FOAM	329504-02	1			
26	RUBBER TUBE	EPDM	327987G01	1			
27	CLAMP	D11-S	435254-04	2			
28	COPPER TUBE (A) - HIGH SIDE	COPPER	329684G01	1			
29	COPPER TUBE (B) - HIGH SIDE	COPPER	443792G01	1			
30	INSULATION TUBE	L=80	7762-1020	2			





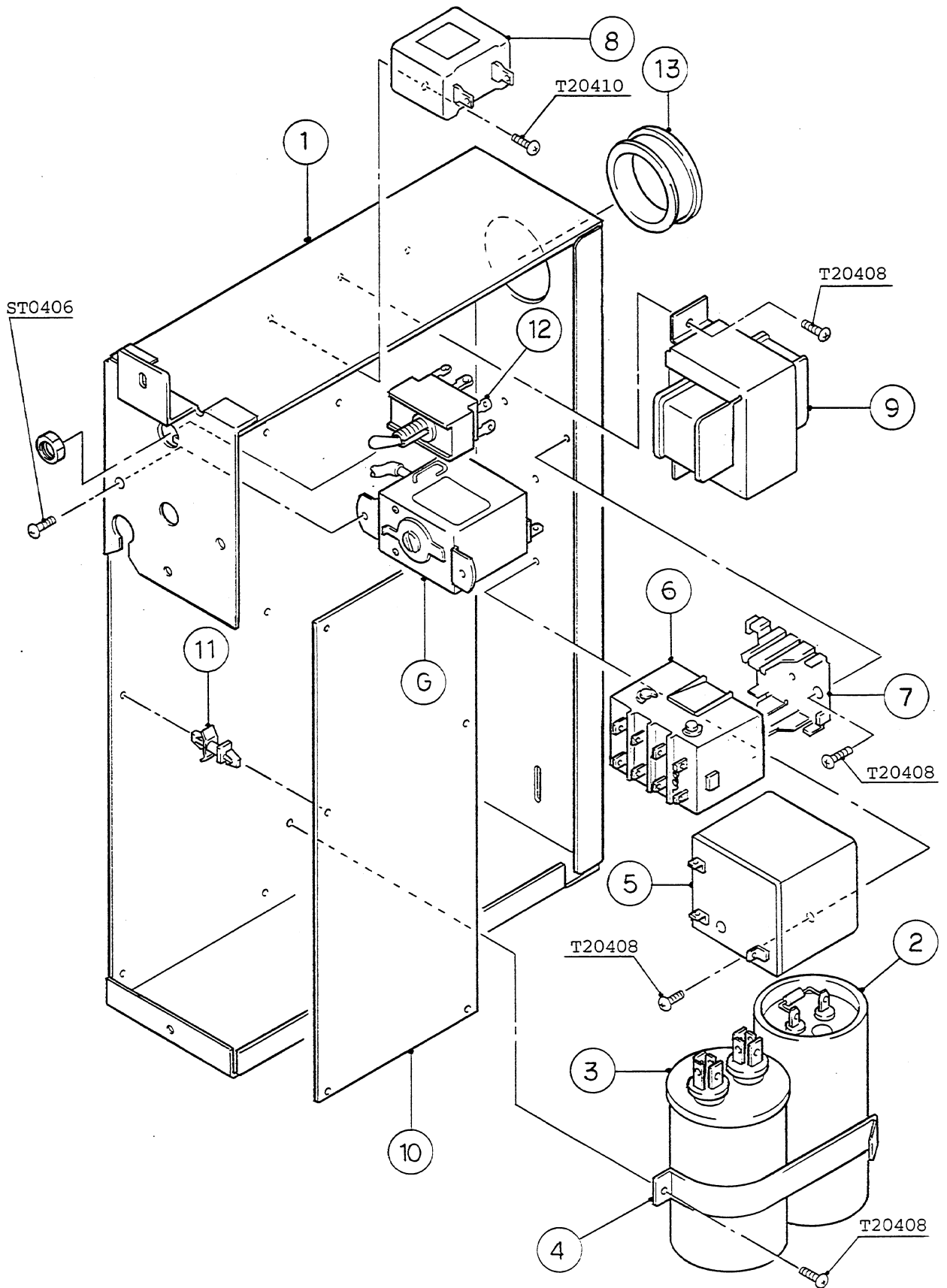




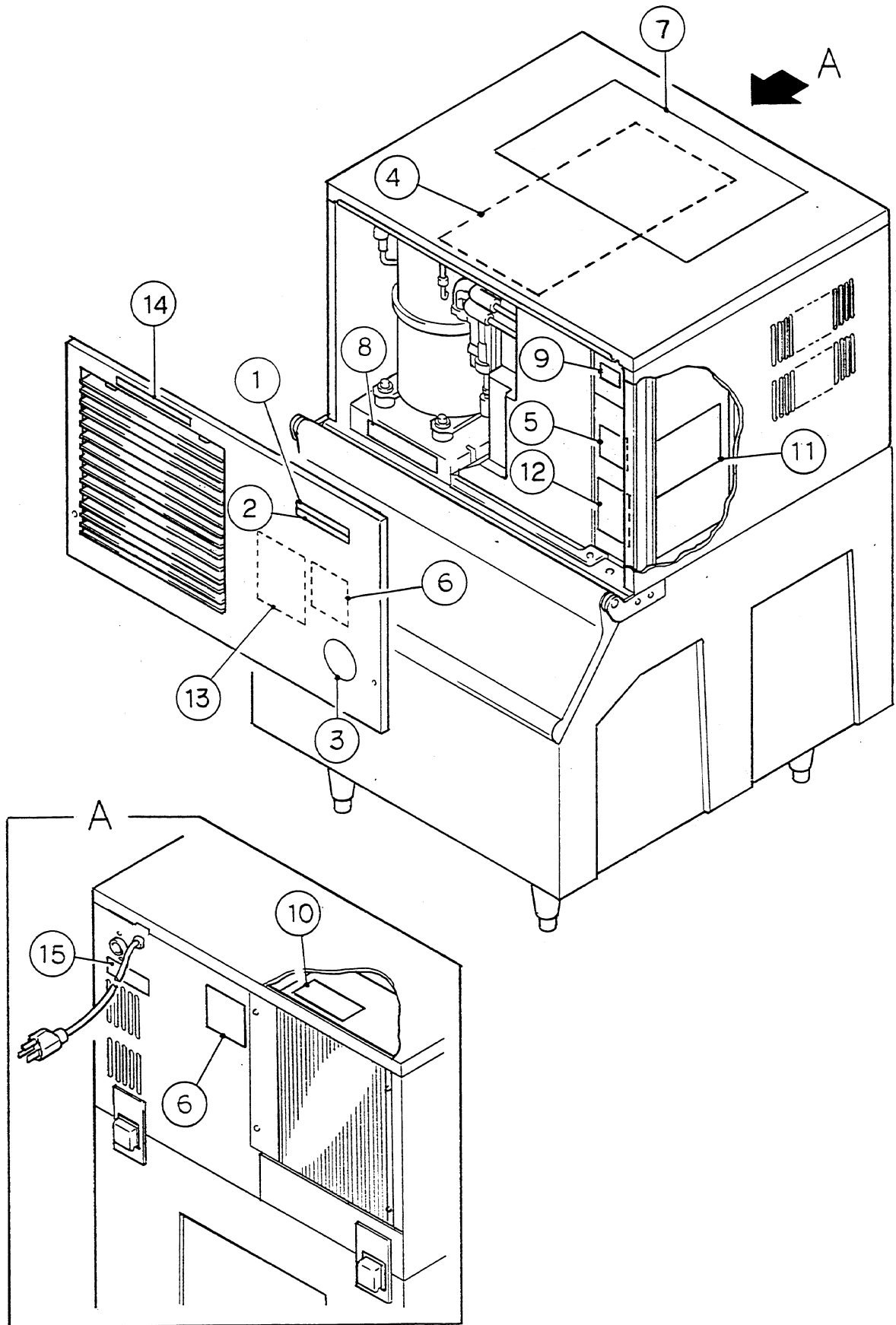
HA

MODEL: KM-250BAC, BWC TITLE: C. WATER CIRCUIT							
INDEX NO.	DESCRIPTION	MATERIAL OR MODEL NUMBER	PART NUMBER	REQ'D NUMBER			
				C-1			
F	PUMP MOTOR ASSY	(S-0759)	216963A01	1			
1	WATER VALVE	J248-126	3U0145-01	1			
2	DISTRIBUTOR HOSE (B)	EPDM	443489-01	1			
3	JOINT	ABS	443490-01	1			
4	DISTRIBUTOR HOSE (C)	EPDM	443491-01	1			
5	DISTRIBUTOR HOSE (A)	EPDM	327893-01	1			
6	SPRAY TUBE	ABS	441735G01	2			
7	SPRAY GUIDE (A)	PE	208586-01	4			
8	DISTRIBUTOR	ABS	432820-01	1			
9	ELBOW	EPDM	433467-01	2			
10	TANK	ABS	216844G01	1			
11	THUMBSCREW	S.S, ABS	415949G04	2			
12	OVERFLOW PIPE	ABS	327771-01	1			
13	OVERFLOW CAP	PE	327769-01	1			
14	TANK DRAIN HOSE	EPDM	327751-01	1			
15	CUBE GUIDE	ABS	218436G01	1			
16	FLOAT SWITCH BRACKET	ABS	327757-01	1			
17	FLOAT SWITCH	FS-0893B	433535-01	1			
18	SOLENOID VALVE	207CB-GS1873	439322-01	1			
19	ARROW LABEL	PES	4A0096-01	1			
20	VINYL HOSE	L=350	7716-2025	1			
21	VINYL HOSE	L=360	7716-1519	1			
22	BUSHING (A)	EPDM	443277-01	1			
23	CAP	ABS	443278-01	1			
24	DRAIN (A)	ABS	329078-01	1			
25	FITTING	-	443613-01	1			
26	HOSE CLAMP	S.S, 18MM	427443-05	6			
27	HOSE CLAMP	S.S 20MM	427443-06	1			
28	HOSE CLAMP	S.S, 25MM	427443-03	2			
29	INSULATION TUBE	L=300	7762-2030	1			
30	"O" RING	1AP15	7611-P015	1			

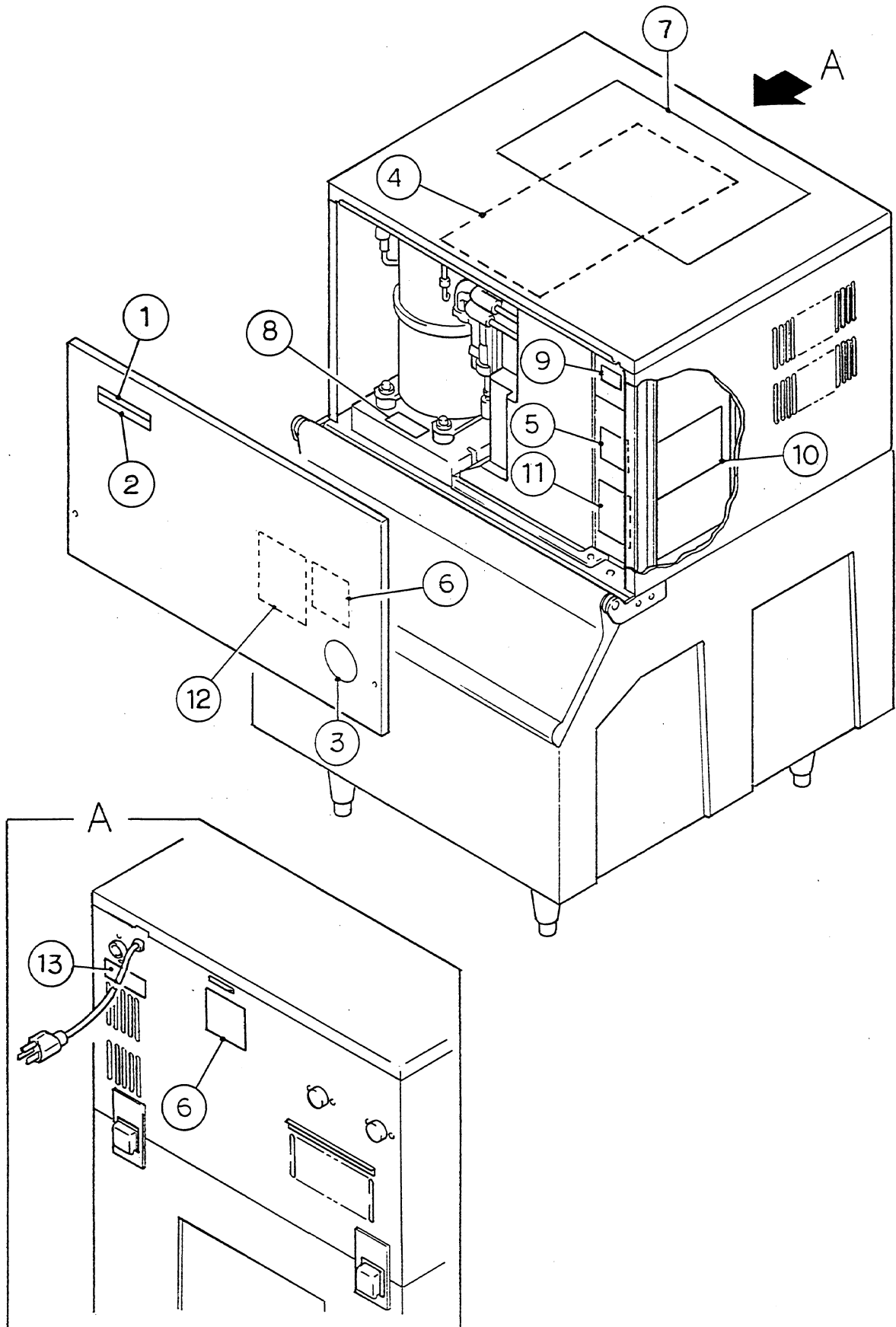






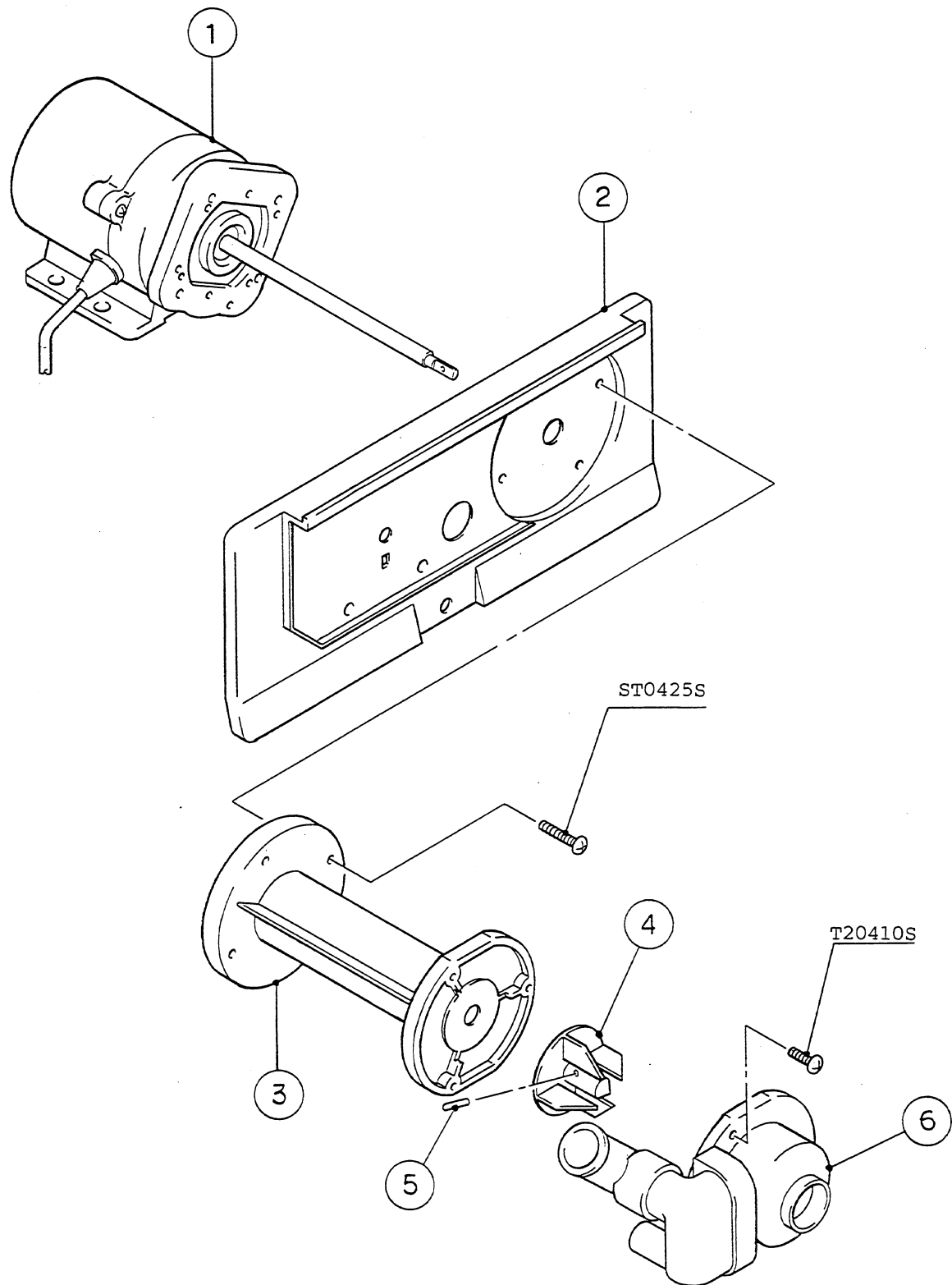




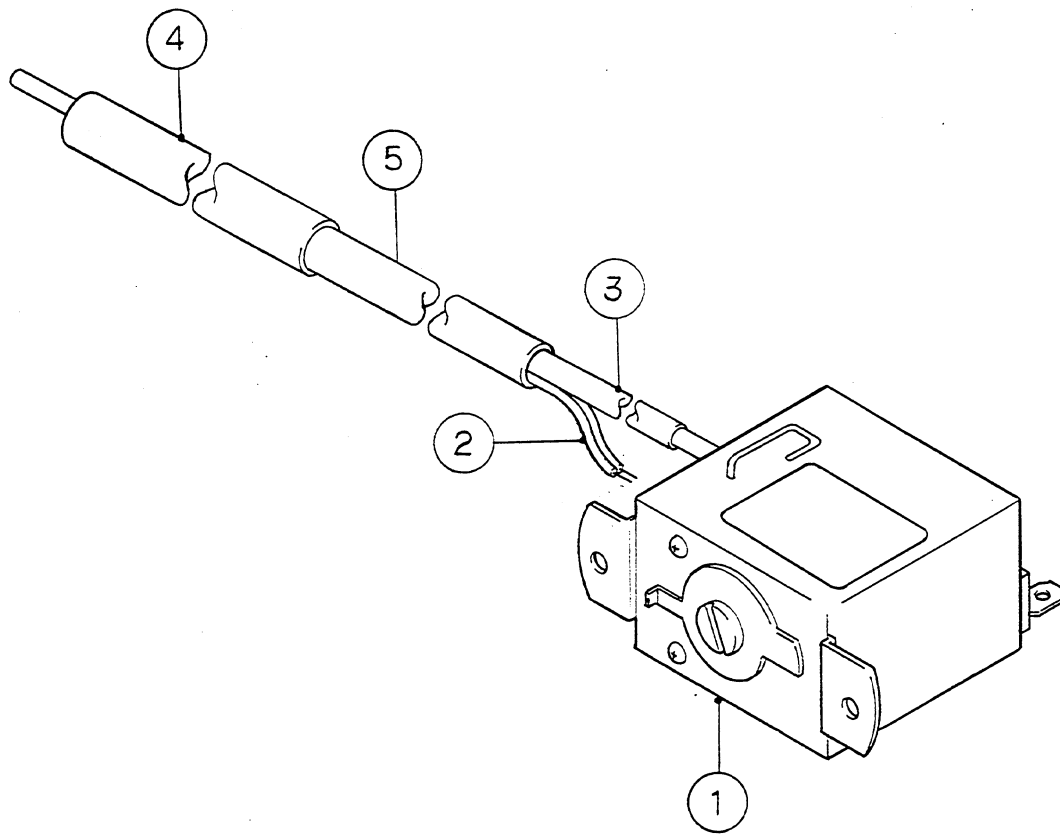




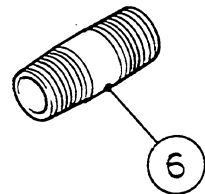
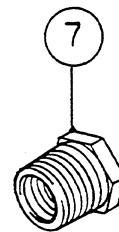
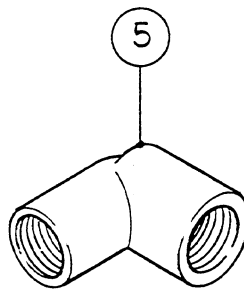
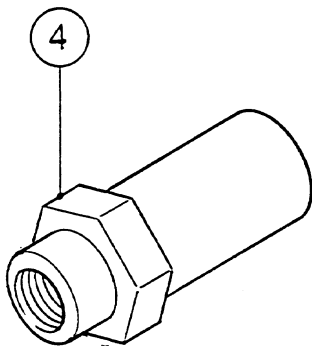
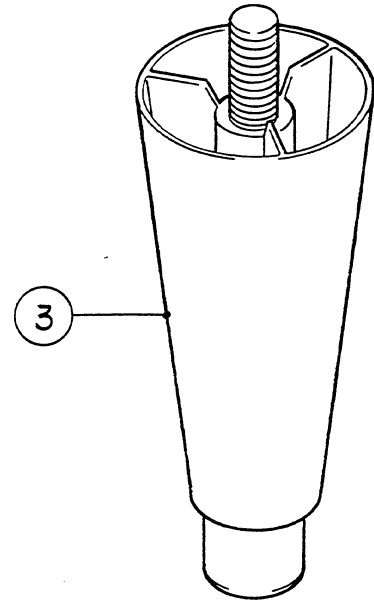
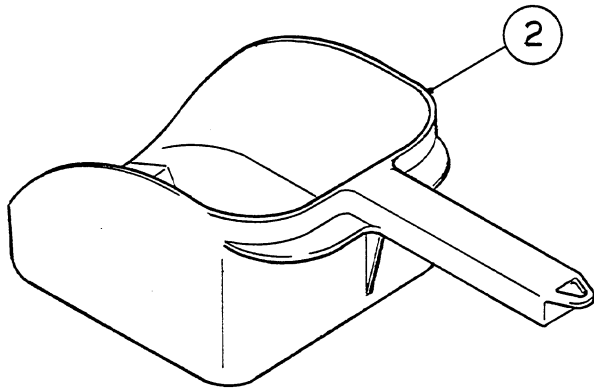
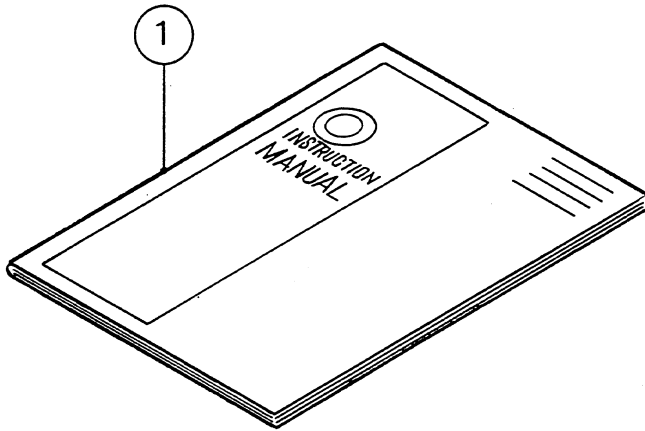




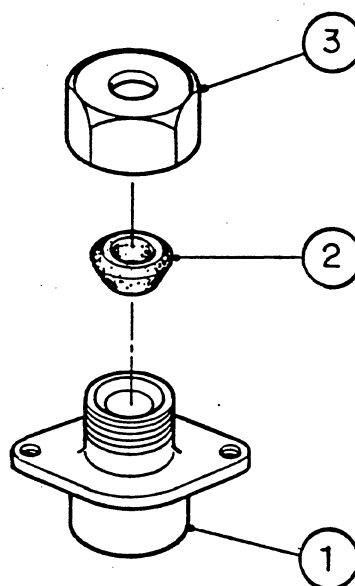
















**CRESCENT CUBER  
WITH STORAGE BIN**

**MODEL  
KM-250BAC/BWC**

**PARTS LIST**

ISSUED: FEBRUARY 10, 1996  
REVISED: -----  
PRINTED: APRIL 1, 1994  
ITEM NO: 71078