

NO. U1PB-916

ISSUED: JUL. 23, 1990

REVISED: NOV. 20, 1992



**HOSHIZAKI
MODULAR CRESCENT CUBER**

MODEL KM-250BAB

PARTS LIST

K-1 DEC. 1989
K-2 NOV. 1990
A-0 DEC. 1990
A-1 AUG. 1991
A-2 OCT. 1991
B-1 DEC. 1991

FINAL

MATERIAL ABBREVIATIONS

PLASTIC

ABS	=	Acrylonitrile-butadien-styrene
AC	=	Polyacetal
EVA	=	Ethylene vinyl acetate
PA	=	Polyamide =Nylon
PC	=	Polycarbonate
PE	=	Polyethylene
PES	=	Polyester
PETP	=	Polyethylene terephthalate =Tetlon
PP	=	Polypropyleneoride
PS	=	Polystyrene
PTFE	=	Polytetrafluoroethylene =Teflon
PUR	=	Polyurethane
PVC	=	Polyvinyl chloride

RUBBER

EPDM	=	EP rubber
NBR	=	Nitrile butadiene rubber
NR	=	Natural rubber
SI.R	=	Silicone rubber
SY.R	=	Synthetic rubber

STEEL

G.S	=	Galvanized steel
S.S	=	Stainless steel

AUXILIARY CODE

Ex.1 K-0
 └─ Parts are the same as in the preceding year.
 └─ "K" is the tenth in alphabetical order with "I" skipped. So, "K" indicates "1990".

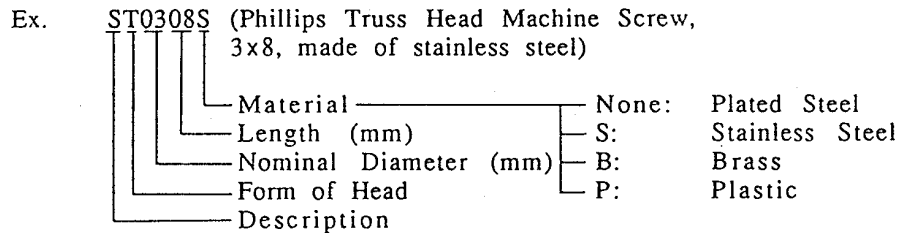
Ex.2 A-1
 └─ "A" is the first in alphabetical order. So, "A" indicates "1991".

Ex.3 A-2
 └─ Each time a part is changed in a year, this number advances.

(Note) - =Part deleted.
 X=Part deleted and replaced by "O" part.
 O=New part for "X" in the same auxiliary code.

FASTENER ABBREVIATION LIST

ST	Phillips Truss Head Machine Screw
SP	Phillips Pan Head Machine Screw
SF	Phillips Flat Head Machine Screw
SS	Phillips Pan Head Machine Screw with Split Lock Washer
SW	Phillips Pan Head Machine Screw with Split Lock Washer and Flat Washer
T1	Phillips Truss Head Tapping Screw (Correspond to Type A)
T2	Phillips Truss Head Tapping Screw (Correspond to Type B)
T3	Phillips Truss Head Tapping Screw (Correspond to Type C)
FT	Phillips Truss Head Tapping Screw (Special)
BH	Hexagon Head Bolt
BC	Socket Head Cap Screw
BS	Hexagon Bolt with Split Washer
BW	Hexagon Bolt with Split Washer and Flat Washer
BF	Hexagon Flange Bolt
BR	Cross-Recessed Hexagon Head Bolt
BRW	Cross-Recessed Hexagon Head Bolt with Split Lock Washer and Flat Washer
WL	Split Lock Washer
WT	External Tooth Washer
WF	Flat Washer
WS	Spring Washer
NH	Hexagon Nut
NF	Hexagon Flange Nut
NC	Hexagon Cap Nut
NS	Square Nut
NW	Wing Nut



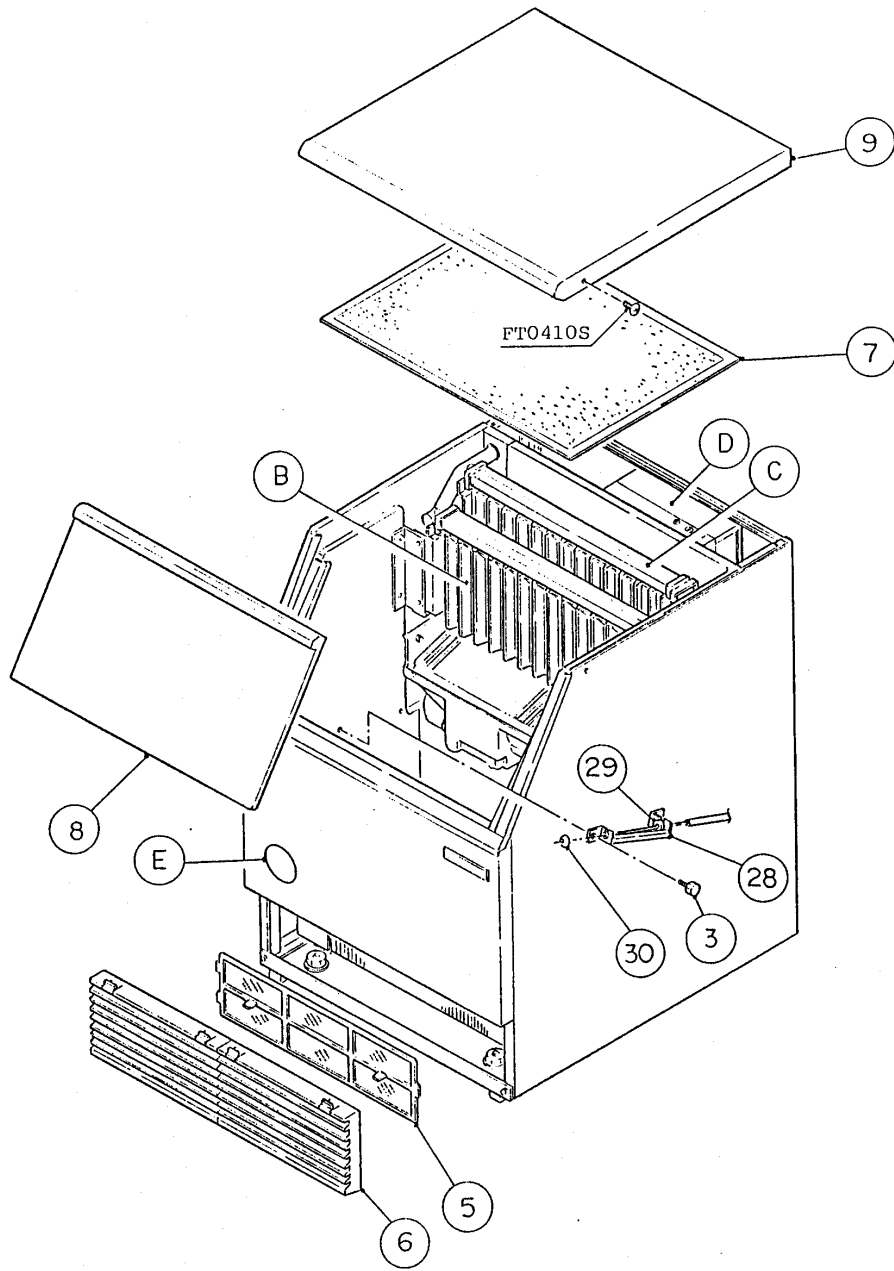
(Note) Second character is numerical except the list.

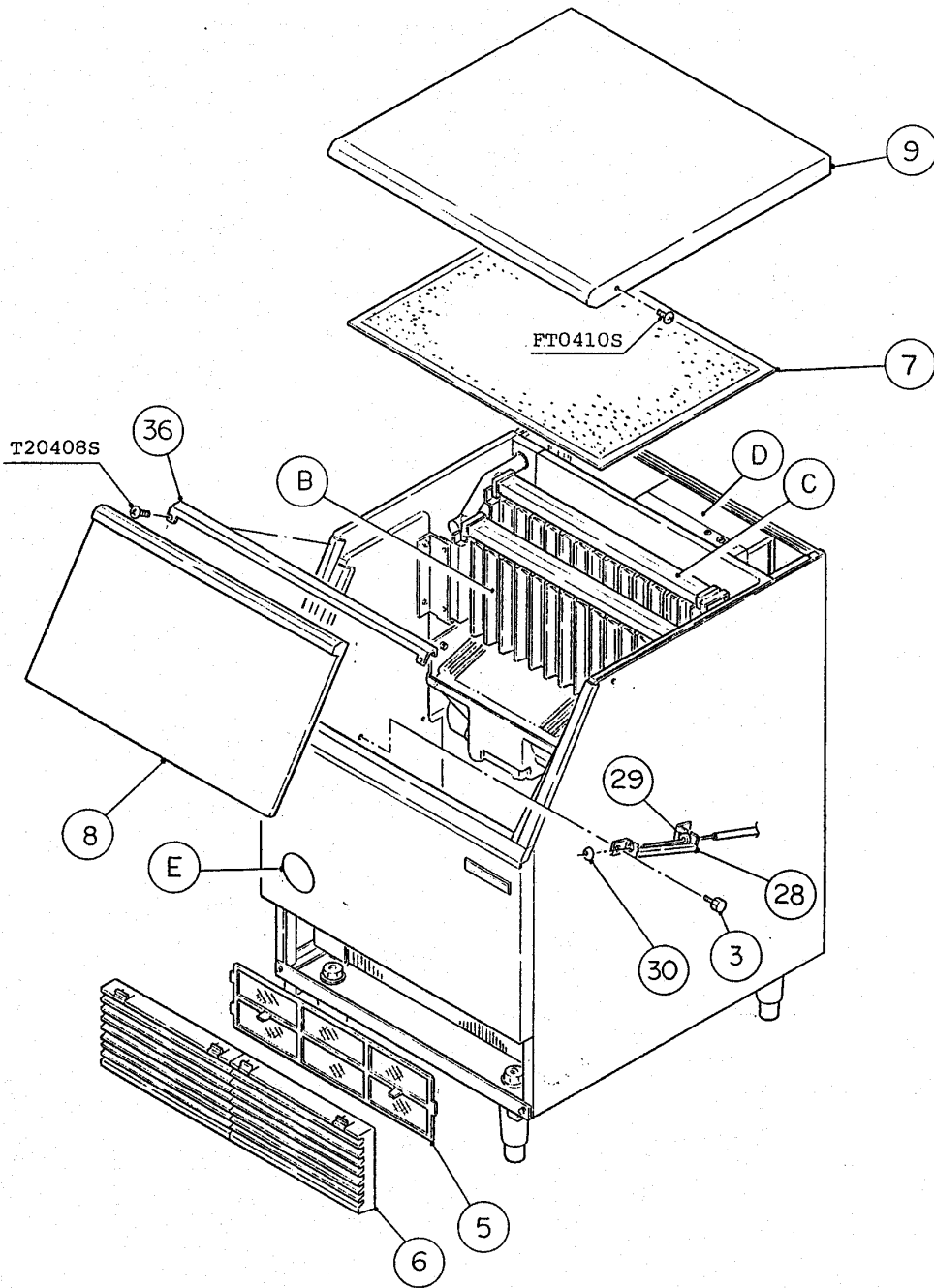
Ex. S1, S2, B3 etc.

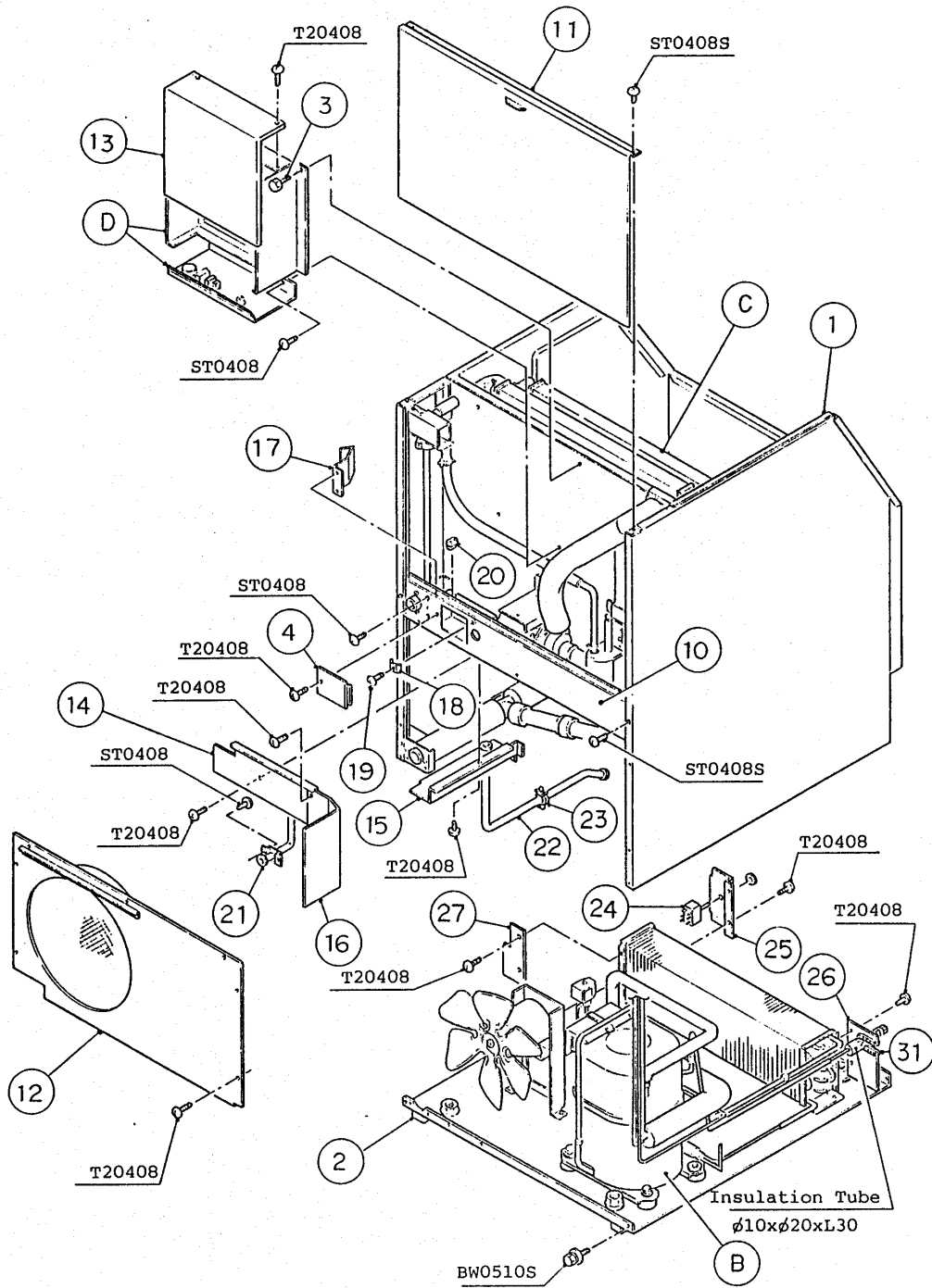
And abbreviations and names are shown under the illustration.

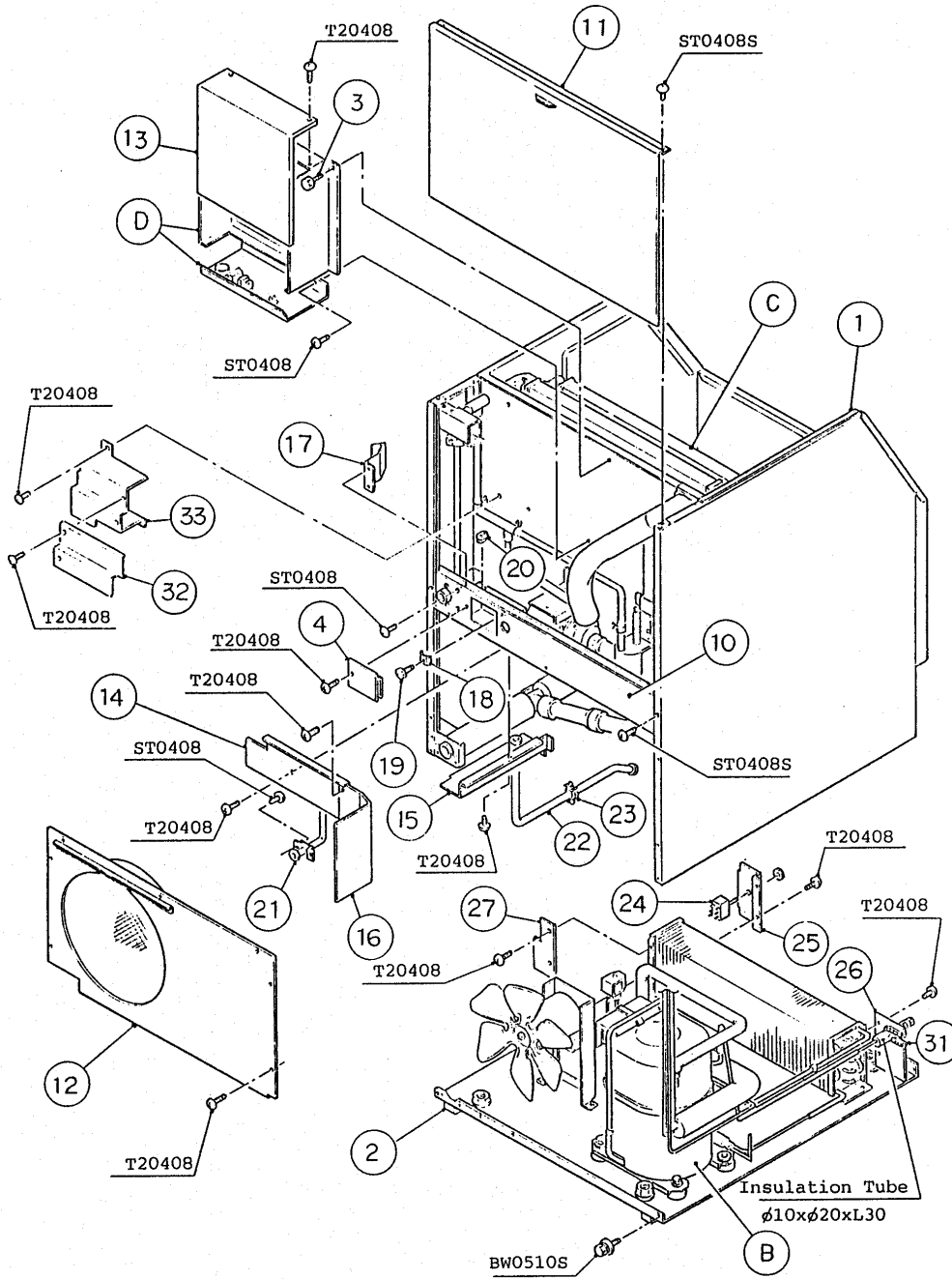
HA
KM-250BAB

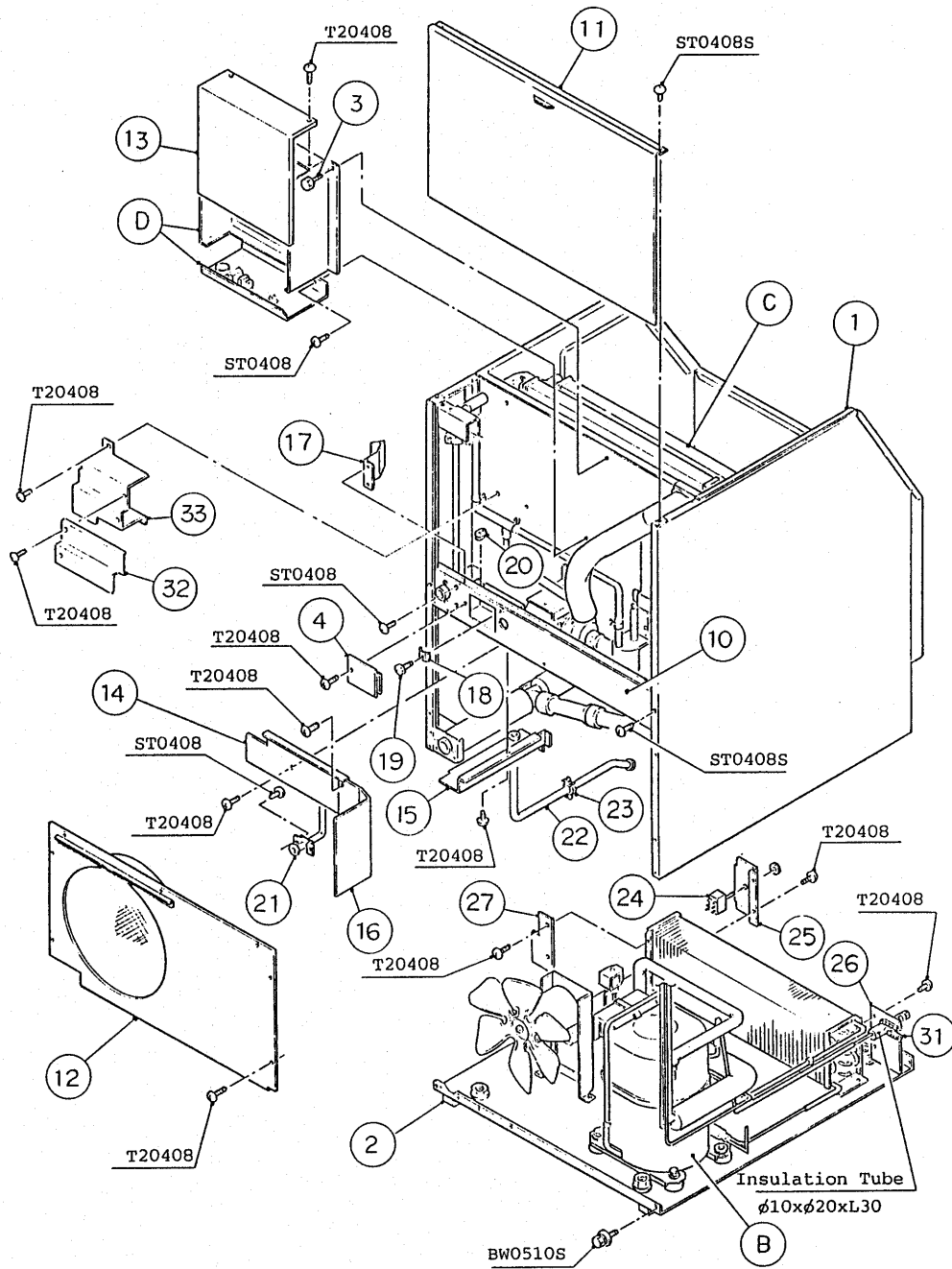
A. ICE CUBER ASSY (1/2) (A-0)(K-2)(K-1)

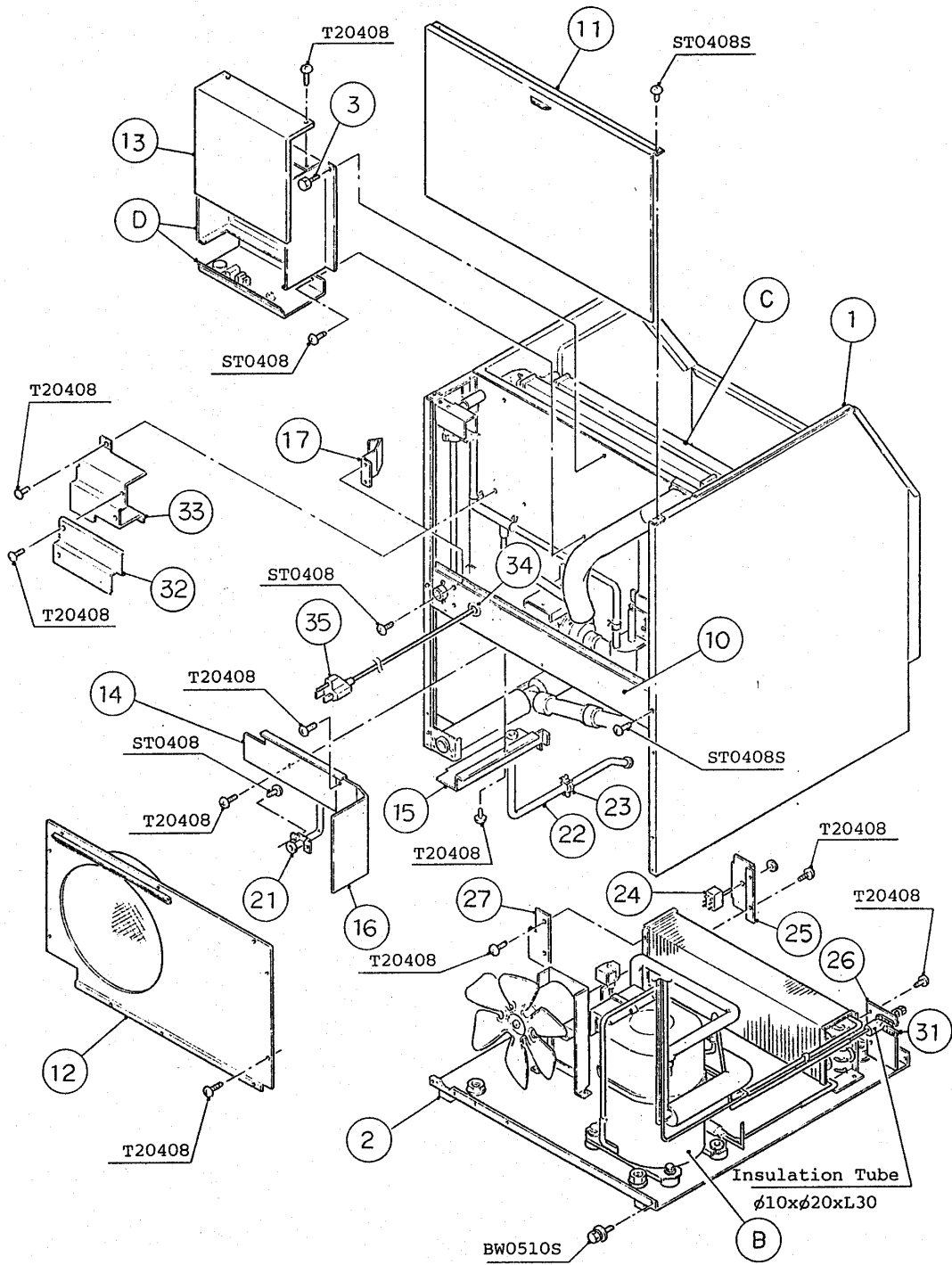












HA

MODEL		TITLE						
KM-250BAB		A. ICE CUBER ASSY						
INDEX NO.	DESCRIPTION	MATERIAL OR MODEL NUMBER	PART NUMBER	REQ'D NUMBER				
				K-1	K-2	A-0	A-1	A-2
B	REFRIGERATION CIRCUIT	-	104702A01	1	1	1	-	
			104702A02				1	1
C	WATER CIRCUIT	-	104704A01	1	-			
			105123A01		1	1	1	1
D	CONT. BOX ASSY	-	213416A01	1	-			
			215443A01		1	1	1	-
			215443A03					1
E	LABEL LOCATION	-	323858A01	1	-			
			323858A02		1	1	-	
			323858A03				1	-
			323858A04					1
1	Body	-	104661G01	1	-			
			104661G02		1	1	1	1
2	Base	G. S	213443G01	1	1	1	1	1
3	Thumbscrew	ABS, S. S	415949G04	4	4	4	4	4
4	Junction box Cover	G. S	433410-01	1	1	1	-	
5	Air Filter	PP	213619G01	1	1	1	1	1
6	Louver	ABS	213618-01	2	2	2	2	2
7	Top Insulation	ABS, PE	213483G01	1	1	1	1	1
8	Door	ABS	213281G01	1	-			
			213281G02		1	x 1		
			216727G01			o 1	1	1
9	Top Panel	S. S	104620-01	1	1	1	1	1
10	Rear Plate	G. S	323668G01	x 1				
			323668G02	o 1	1	1	-	
			327116-01				1	1
11	Rear Panel (A)	G. S	323834G01	1	1	1	1	1
12	Rear Panel (B)	S. S	213481G01	1	1	1	1	1
13	Cont. Box Cover	G. S	323610-01	1	1	1	1	1
14	Barrier (A)	G. S	323998-01	1	1	1	1	1
15	Barrier (B)	G. S	323999-01	1	1	1	1	1
16	Barrier (C)	G. S	324000-01	1	1	1	1	1
17	Guide	S. S	436462-01	1	1	1	1	1
18	Square Washer	Copper	433537-01	x 1				

E

HA

MODEL		TITLE			REQ'D NUMBER			
KM-250BAB		A. ICE CUBER ASSY			B-1			
INDEX NO.	DESCRIPTION	MATERIAL OR MODEL NUMBER	PART NUMBER					
B	REFRIGERATION CIRCUIT	-	104702A02	1				
C	WATER CIRCUIT	-	105123A01	1				
D	CONT. BOX ASSY	-	215443A03	1				
E	LABEL LOCATION	-	323858A04	1				
1	Body	-	104661G02	1				
2	Base	G. S	213443G01	1				
3	Thumbscrew	ABS, S. S	415949G04	4				
4	-	-	-	-				
5	Air Filter	PP	213619G01	1				
6	Louver	ABS	213618-01	2				
7	Top Insulation	ABS, PE	213483G01	1				
8	Door	ABS	216727G01	1				
9	Top Panel	S. S	104620-01	1				
10	Rear Plate	G. S	327116-01	1				
11	Rear Panel (A)	G. S	323834G01	1				
12	Rear Panel (B)	S. S	213481G01	1				
13	Cont. Box Cover	G. S	323610-01	1				
14	Barrier (A)	G. S	323998-01	1				
15	Barrier (B)	G. S	323999-01	1				
16	Barrier (C)	G. S	324000-01	1				
17	Guide	S. S	436462-01	1				
18	-	-	-	-				

E

HA

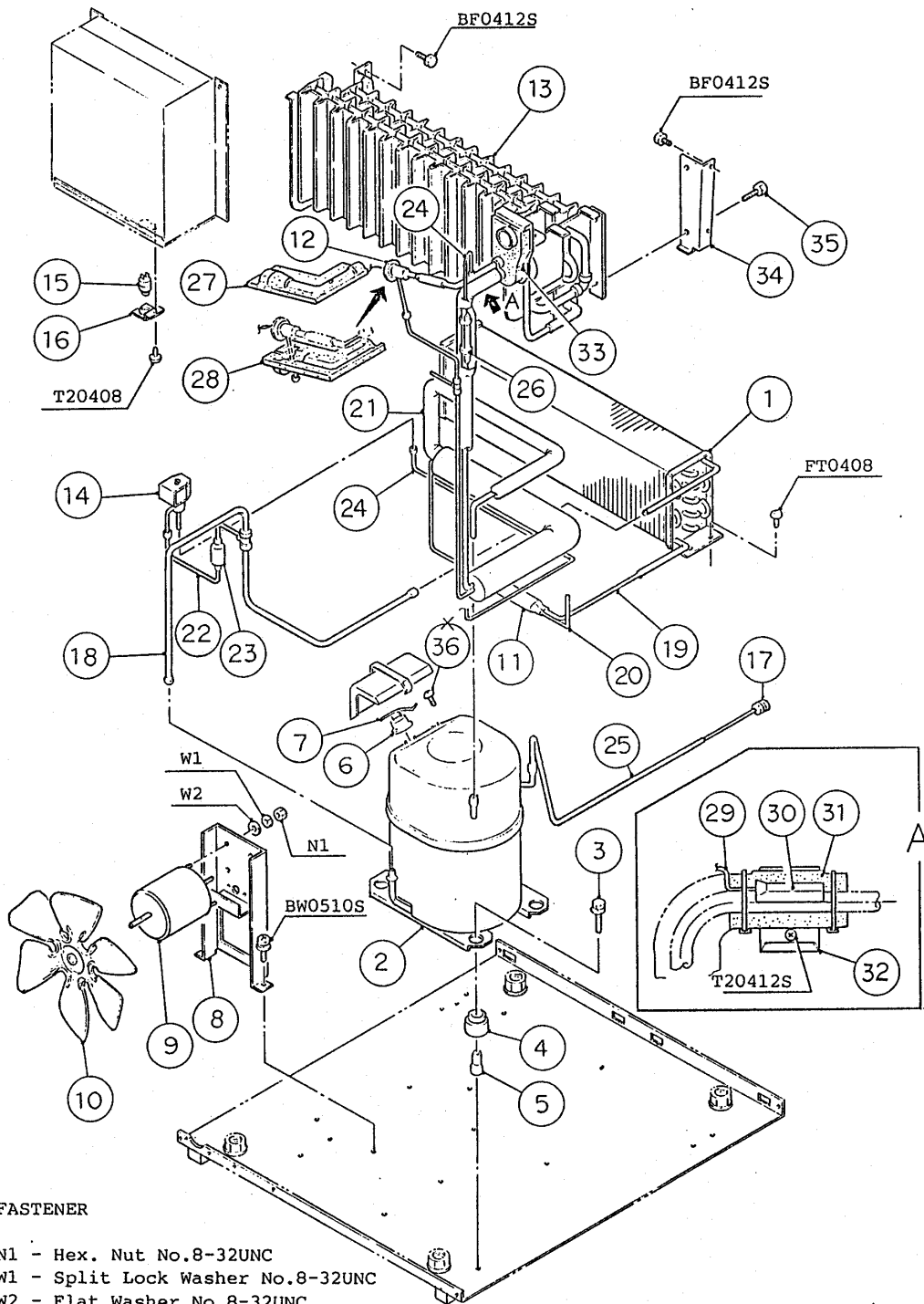
MODEL		TITLE						
KM-250BAB		A. ICE CUBER ASSY						
INDEX NO.	DESCRIPTION	MATERIAL OR MODEL NUMBER	PART NUMBER	REQ'D NUMBER				
				K-1	K-2	A-0	A-1	A-2
			433537-02	o 1	1	1	-	
19	Screw Grounding	Brass	433304-01	x 1				
			433304-02	o 1	1	1	-	
20	Bushing	SR-30-1	420472-03	1	1	1	-	
21	Conduit (A)	Copper	436717G01	1	1	1	1	1
22	Conduit (B)	Copper	436718-01	1	1	1	1	1
23	Clamp	No. 4253	427902-05	1	1	1	1	1
24	Toggle Switch	ST-210P	428638-01	1	1	1	1	1
25	Bracket (R)	G. S	436464-01	1	1	1	1	1
26	Bracket (L)	G. S	436463-01	1	1	1	1	1
27	Bracket	G. S	437549-01	1	1	1	1	1
28	Bulb Holder	S. S	324972-01	1	1	1	1	1
29	Bushing	EPDM	425307-01	1	1	1	1	1
30	Rubber Cap	EPDM	437933-01	1	1	1	1	1
31	Edging	PE	438333-01	1	1	1	1	1
32	Barrier (D)	-	325817-01		1	1	1	1
33	Barrier (E)	-	439248G01		1	1	1	1
34	Bushing	SR-7K-2	420472-02				1	1
35	Power Supply Code		440894-01				1	1
36	Front Frame		3A0079-01				1	1

E

HA

MODEL		TITLE						
KM-250BAB		A. ICE CUBER ASSY						
INDEX NO.	DESCRIPTION	MATERIAL OR MODEL NUMBER	PART NUMBER	REQ'D NUMBER				
				B-1				
19	-	-	-	-				
20	-	-	-	-				
21	Conduit (A)	Copper	436717G01	1				
22	Conduit (B)	Copper	436718-01	1				
23	Clamp	No. 4253	427902-05	1				
24	Toggle Switch	ST-210P	428638-01	1				
25	Bracket (R)	G. S	436464-01	1				
26	Bracket (L)	G. S	436463-01	1				
27	Bracket	G. S	437549-01	1				
28	Bulb Holder	S. S	324972-01	1				
29	Bushing	EPDM	425307-01	1				
30	Rubber Cap	EPDM	437933-01	1				
31	Edging	PE	438333-01	1				
32	Barrier (D)	-	325817-01	1				
33	Barrier (E)	-	439248G01	1				
34	Bushing	SR-7K-2	420472-02	1				
35	Power Supply Code		440894-01	1				
36	Front Frame		3A0079-01	1				

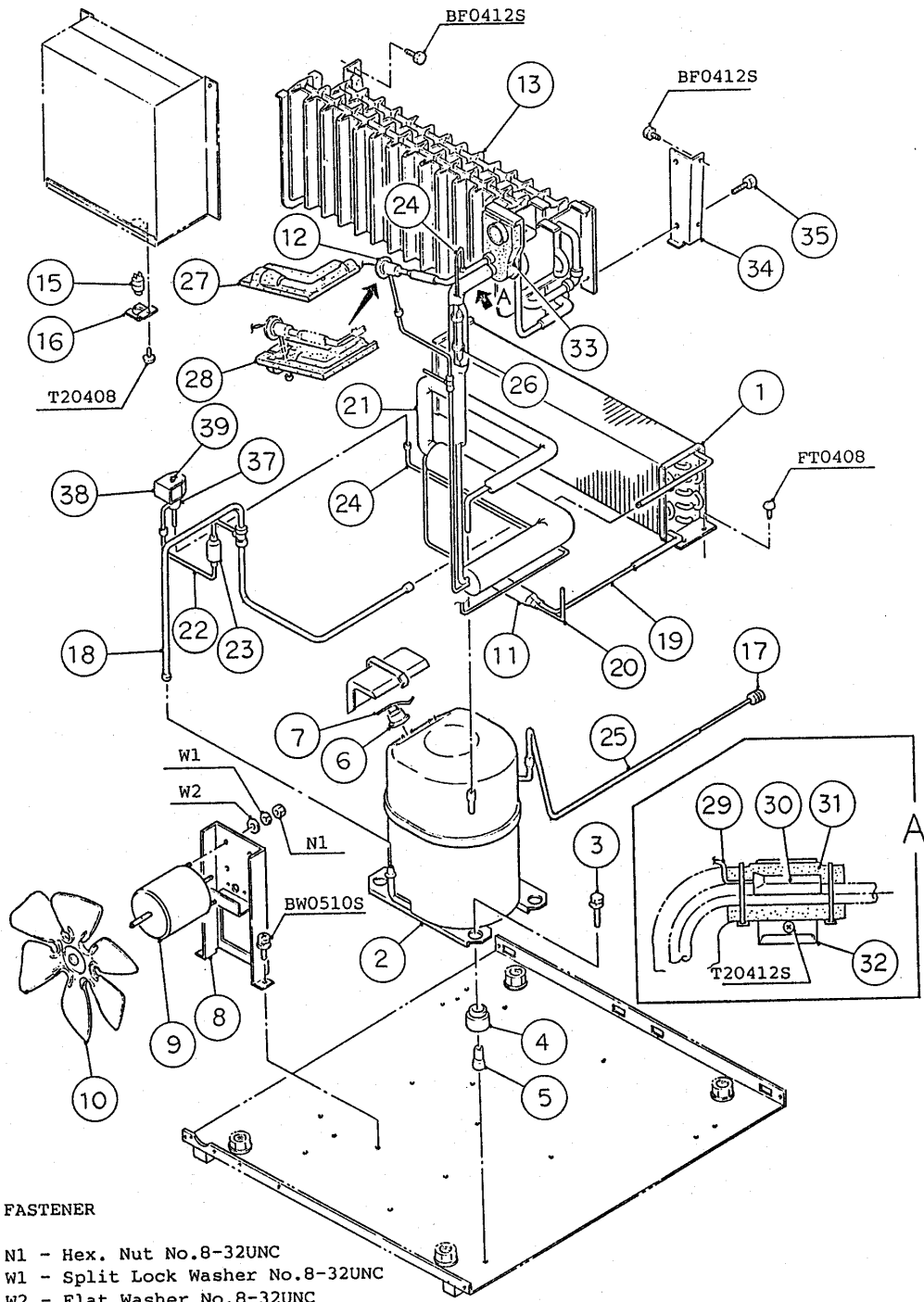
E



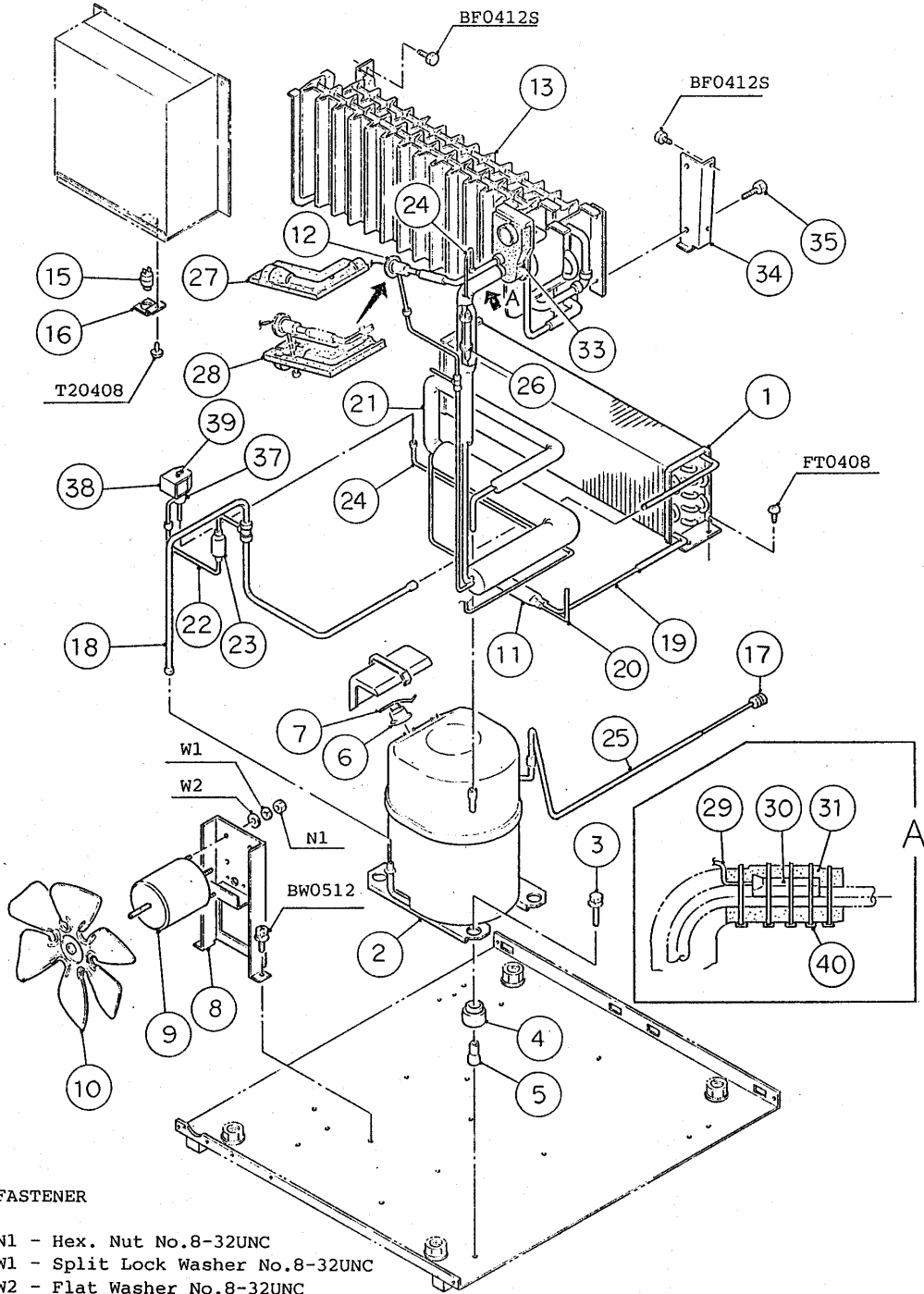
HA
KM-250BAB

B. REFRIGERATION CIRCUIT

(B-1)
(A-2) (A-1)
(K-2) (A-0)



FASTENER
N1 - Hex. Nut No.8-32UNC
W1 - Split Lock Washer No.8-32UNC
W2 - Flat Washer No.8-32UNC



HA

MODEL		TITLE						
KM-250BAB		B. REFRIGERATION CIRCUIT						
INDEX NO.	DESCRIPTION	MATERIAL OR MODEL NUMBER	PART NUMBER	REQ'D NUMBER				
				K-1	K-2	A-0	A-1	A-2
1	Condenser	-	213272-01	1	1	1	1	1
2	Compressor	RSU4-0050-CAA	436634-01	1	1	1	1	1
3	Bolt	8x45	437889-01	3	3	3	3	3
4	Grommet	527-0039-04	434403-01	4	4	4	4	4
5	Spacer	527-0039-04	434404-01	4	4	4	4	4
6	Protector	071-0370-30	437340-01	1	1	1	1	1
7	Protector Holder	-	437339-01	1	1	1	1	1
8	Fan Motor Bracket	G. S	323640-01	1	1	1	-	
			327159-01				1	1
9	Fan Motor	5KPM59GSK4138-S	437030-01	1	1	1	-	
		FASCO 7190-1031	440911-01				1	1
10	Fan Blade	-	437749-01	1	1	1	1	1
11	Drier	-	437028-01	1	1	1	1	1
12	Exp. Valve	-	436706-01	1	1	1	1	1
13	Evaporator	-	104659G01	1	1	1	1	1
14	Hot Gas Valve	ADS-24HD-3	3U0082-03	1	-			
15	Pressure Switch	ACB-2UB04	433441-05	1	1	1	1	1
16	Press. Switch Bracket	G. S	434938-01	1	1	1	1	1
17	Access Valve	TCJ-2F15-HD	417366-01	1	1	1	1	1
18	Copper Tube (A) - High Side	Copper	324442G01	1	1	1	1	1
19	Copper Tube (A) - Drier	Copper	437444-01	1	1	1	1	1
20	Copper Tube (B) - Drier	Copper	437428-01	1	1	1	1	1
21	Heat Exchanger	Copper	214235G01	1	1	1	1	1
22	Copper Tube - Hot Gas	Copper	437429-01	1	1	1	1	1
23	Strainer	-	430365-01	1	1	x 1		
			441569-01			o 1	1	1
24	Copper Tube (A) - Low Side	Copper	324491G01	1	1	1	1	1
25	Copper Tube - Access Valve	Copper	324436-01	1	1	1	1	1
26	Clamp	D11-S	435254-04	2	2	2	2	2
27	Exp. Valve Cover (A)	PE	324008-01	1	1	1	1	1
28	Exp. Valve Cover (B)	PE	324007-01	1	1	1	1	1
29	Thermistor	-	429006-02	1	1	1	1	1
30	Holder - Thermistor	Copper	436455-01	1	1	1	1	1
31	Insulation - Thermistor	PE	427441-01	1	1	1	1	1
32	Strap - Thermistor	S. S	4A0035-01	1	1	1	1	1

E

HA

MODEL		TITLE					
KM-250BAB		B. REFRIGERATION CIRCUIT					
INDEX NO.	DESCRIPTION	MATERIAL OR MODEL NUMBER	PART NUMBER	REQ'D NUMBER			
				B-1			
1	Condenser	-	213272-01	1			
2	Compressor	RSU4-0050-CAA	436634-01	1			
3	Bolt	8x45	437889-01	3			
4	Grommet	527-0039-04	434403-01	4			
5	Spacer	527-0039-04	434404-01	4			
6	Protector	071-0370-30	437340-01	1			
7	Protector Holder	-	437339-01	1			
8	Fan Motor Bracket	G. S	327159-01	1			
9	Fan Motor	FASCO 7190-1031	440911-01	1			
10	Fan Blade	-	437749-01	1			
11	Drier	-	437028-01	1			
12	Exp. Valve	-	436706-01	1			
13	Evaporator	-	104659G01	1			
14	-	-	-	-			
15	Pressure Switch	ACB-2UB04	433441-05	1			
16	Press. Switch Bracket	G. S	434938-01	1			
17	Access Valve	TCJ-2F15-HD	417366-01	1			
18	Copper Tube (A) - High Side	Copper	324442G01	1			
19	Copper Tube (A) - Drier	Copper	437444-01	1			
20	Copper Tube (B) - Drier	Copper	437428-01	1			
21	Heat Exchanger	Copper	214235G01	1			
22	Copper Tube - Hot Gas	Copper	437429-01	1			
23	Strainer	-	441569-01	1			
24	Copper Tube (A) - Low Side	Copper	324491G01	1			
25	Copper Tube - Access Valve	Copper	324436-01	1			
26	Clamp	D11-S	435254-04	2			
27	Exp. Valve Cover (A)	PE	324008-01	1			
28	Exp. Valve Cover (B)	PE	324007-01	1			
29	Thermistor	-	429006-02	1			
30	Holder - Thermistor	Copper	436455-01	1			
31	Insulation - Thermistor	PE	427441-01	1			
32	Strap - Thermistor	S. S	4A0035-01	x 1			

E

HA

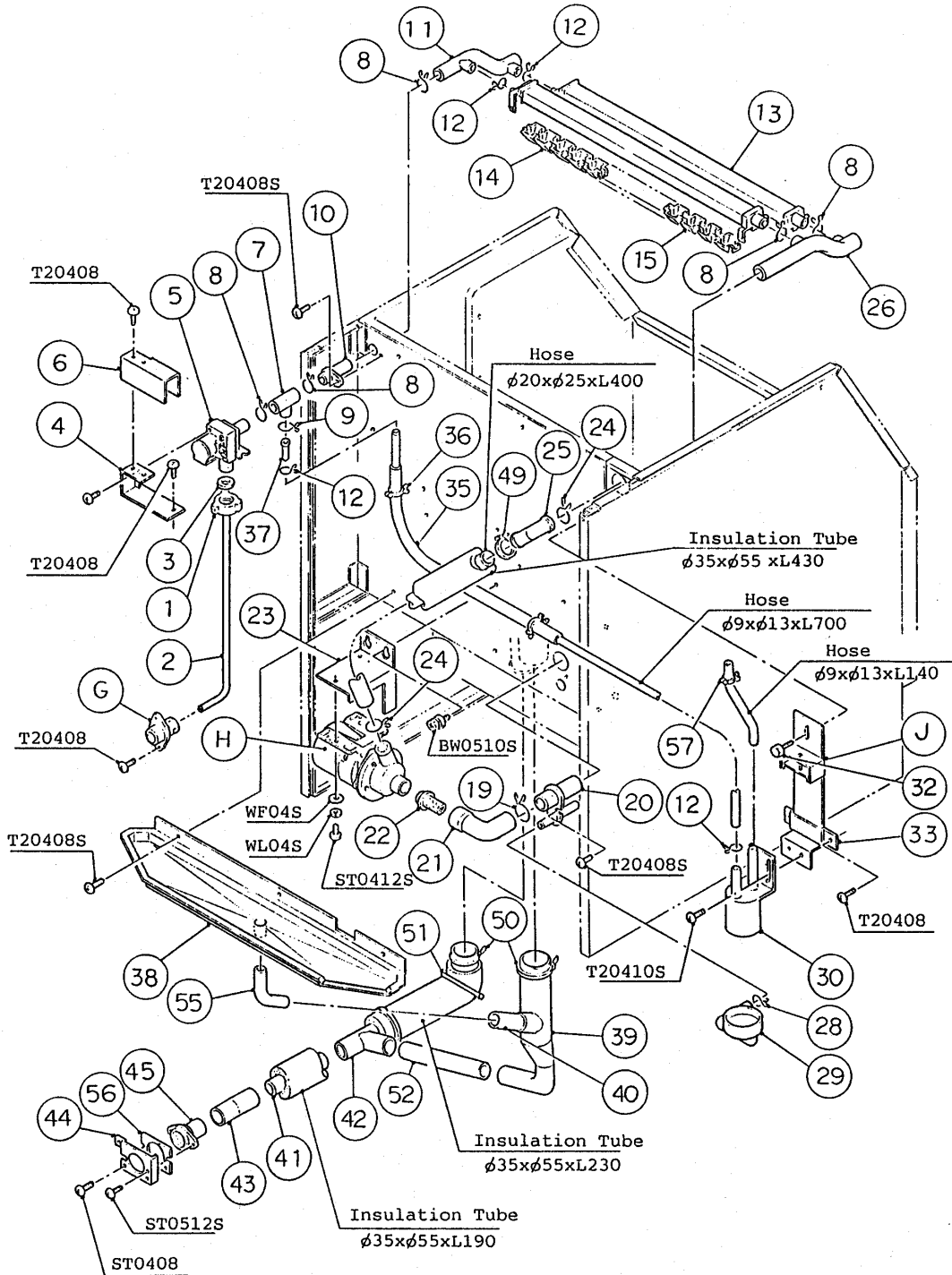
MODEL		TITLE						
KM-250BAB		B. REFRIGERATION CIRCUIT						
INDEX NO.	DESCRIPTION	MATERIAL OR MODEL NUMBER	PART NUMBER	REQ'D NUMBER				
				K-1	K-2	A-0	A-1	A-2
33	Insulated Rubber Tube	-	323698G01	1	1	1	1	1
34	Evap. Bracket (L2)	S. S	436269-01	1	1	1	1	1
35	Thumbscrew	ABS, S. S	415949G04	2	2	2	2	2
36	Screw	100-0021-00	438067-01	x 1				
37	Valve Body	24	440351-01		1	1	1	1
38	Coil - Valve	ADS-24HD-3	440354-01		1	1	1	1
39	Bolt	-	440354F01		1	1	1	1

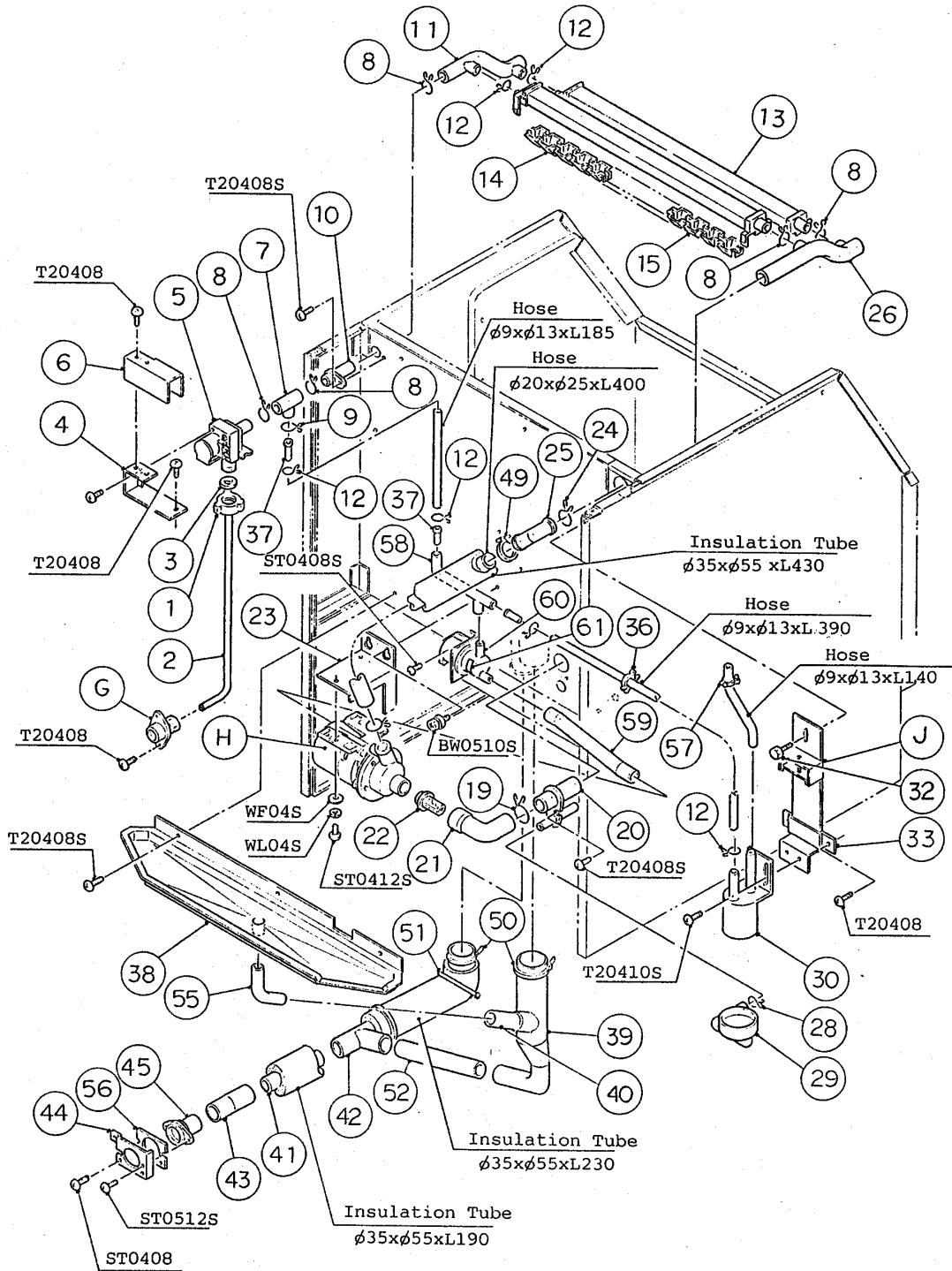
PT

HA

MODEL		TITLE					
KM-250BAB		B. REFRIGERATION CIRCUIT					
INDEX NO.	DESCRIPTION	MATERIAL OR MODEL NUMBER	PART NUMBER	REQ'D NUMBER			
				B-1			
33	Insulated Rubber Tube	-	323698G01	1			
34	Evap. Bracket (L2)	S. S	436269-01	1			
35	Thumbscrew	ABS. S. S	415949G04	2			
36	-	-	-	-			
37	Valve Body	24	440351-01	1			
38	Coil - Valve	ADS-24HD-3	440354-01	1			
39	Bolt	-	440354F01	1			
40	Cable Tie	CV-200	7920-0010	o 3			

E

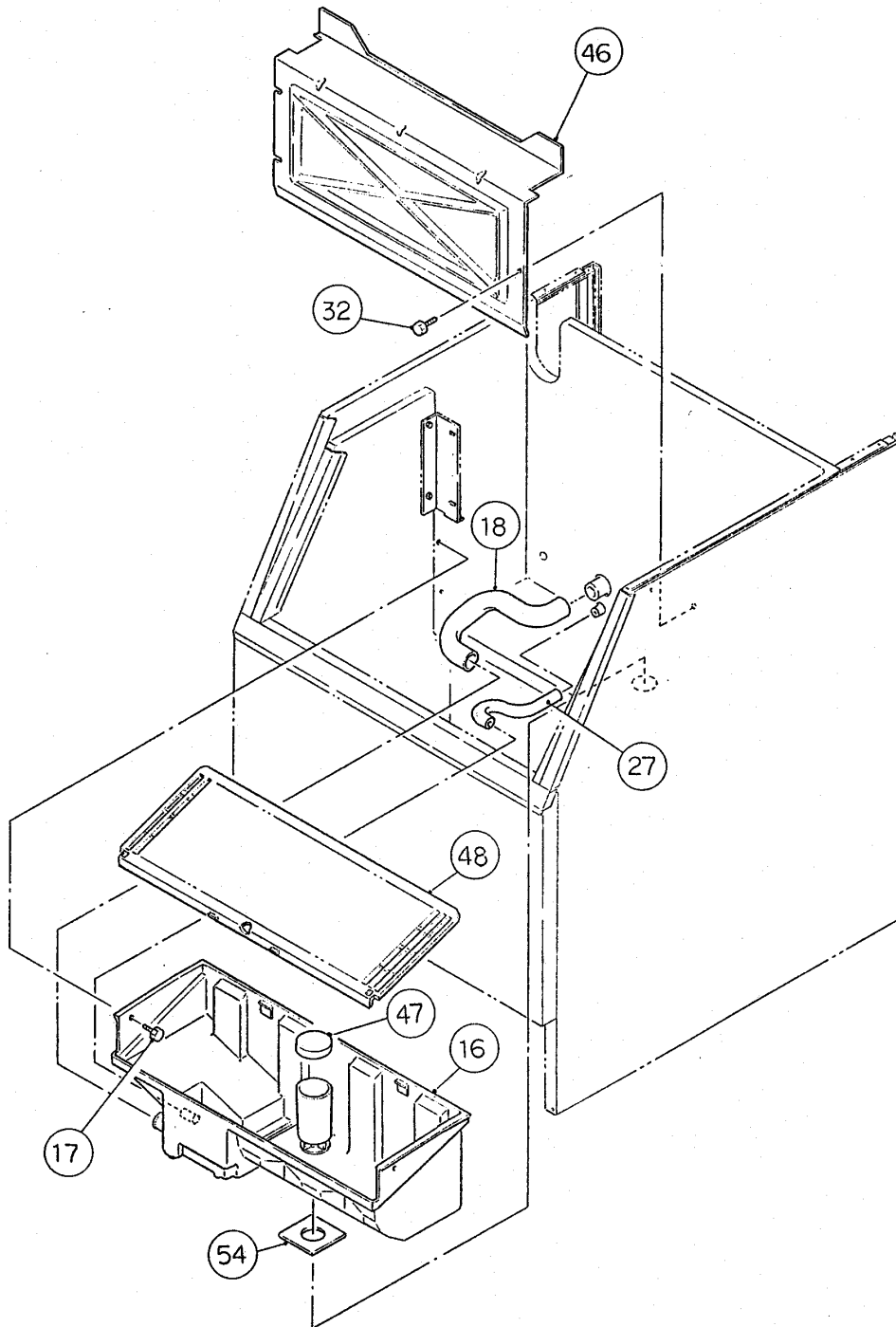




HA
KM-250BAB

C. WATER CIRCUIT (2/2)

(B-1)(A-2)(A-1)
(A-0)(K-2)(K-1)



HA

MODEL		TITLE			REQ'D NUMBER				
KM-250BAB		C. WATER CIRCUIT			K-1	K-2	A-0	A-1	A-2
INDEX NO.	DESCRIPTION	MATERIAL OR MODEL NUMBER	PART NUMBER						
G	FITTING (P) ASSY	(S-0694)	311425A03	1	1	1	1	1	
H	PUMP MOTOR ASSY	(S-0686)	324021A01	1	-				
		(S-0723)	325944A01		1	1	1	1	
J	FLOAT SW. BRACKET		438296A01	1	1	1	1	1	
1	Fitting Nut	AC	426910-02	1	1	1	1	1	
2	Water Supply Pipe	S. S	323835G01	1	1	1	1	1	
3	Rubber Gasket	NR	413854-01	1	1	1	1	1	
4	Water Valve Bracket	G. S	323703-01	1	1	1	1	1	
5	Water Valve	J248-072	3U0111-04	1	1	1	1	1	
6	Water Valve Cover	G. S	436327-01	1	1	1	1	1	
7	Tee	EPDM	436291-01	1	1	1	1	1	
8	Hose Clamp	18mm, S. S	427443-05	5	5	5	5	5	
9	Hose Clamp	14.5mm, S. S	427443-02	1	1	1	1	1	
10	Joint (B)	ABS	436262-01	1	1	1	1	1	
11	Distributor Hose (B)	EPDM	323626-01	1	1	1	1	1	
12	Hose Clamp	13.5mm, S. S	427443-07	4	6	6	6	6	
13	Spray Tube	ABS	436176G01	2	2	2	2	2	
14	Spray Guide (A)	PE	208586-01	2	2	2	2	2	
15	Spray Guide (C)	PE	208586-03	4	4	4	4	4	
16	Tank Assy	ABS	213634G01	x 1					
			213634G02	o 1	1	1	1	1	
17	Thumbscrew	ABS, S. S	434186G02	2	2	2	2	2	
18	Pump Motor Hose	EPDM	324020-01	1	1	1	1	1	
19	Hose Clamp	27mm, S. S	427443-08	1	1	1	1	1	
20	Joint (A)	ABS	436302-01	1	1	1	1	1	
21	Suction Hose	EPDM	323666-01	1	1	1	1	1	
22	Filter	PP	323326-01	1	1	1	1	1	
23	Pump Motor Bracket	S. S	324001-01	1	1	1	1	1	
24	Hose Clamp	25mm, S. S	427443-03	2	2	2	2	2	
25	Elbow	ABS	436311-01	1	1	1	1	1	
26	Distributor Hose (A)	EPDM	323627-01	1	1	1	1	1	
27	Float Switch Hose	EPDM	436260-01	1	1	1	1	1	
28	Hose Clamp	16.5mm, S. S	427443-04	1	1	1	1	1	
29	Connector - Float Switch	EPDM	323636-01	1	1	1	1	1	

E

HA

MODEL		TITLE					
KM-250BAB		C. WATER CIRCUIT					
INDEX NO.	DESCRIPTION	MATERIAL OR MODEL NUMBER	PART NUMBER	REQ'D NUMBER			
				B-1			
G	FITTING (P) ASSY	(S-0694)	311425A03	1			
H	PUMP MOTOR ASSY	(S-0723)	325944A01	1			
J	FLOAT SW. BRACKET		438296A01	1			
1	Fitting Nut	AC	426910-02	1			
2	Water Supply Pipe	S. S	323835G01	1			
3	Rubber Gasket	NR	413854-01	1			
4	Water Valve Bracket	G. S	323703-01	1			
5	Water Valve	J248-072	3U0111-04	1			
6	Water Valve Cover	G. S	436327-01	1			
7	Tee	EPDM	436291-01	1			
8	Hose Clamp	18mm, S. S	427443-05	5			
9	Hose Clamp	14.5mm, S. S	427443-02	1			
10	Joint (B)	ABS	436262-01	1			
11	Distributor Hose (B)	EPDM	323626-01	1			
12	Hose Clamp	13.5mm, S. S	427443-07	4			
13	Spray Tube	ABS	436176G01	2			
14	Spray Guide (A)	PE	208586-01	2			
15	Spray Guide (C)	PE	208586-03	4			
16	Tank Assy	ABS	213634G02	1			
17	Thumbscrew	ABS, S. S	434186G02	2			
18	Pump Motor Hose	EPDM	324020-01	1			
19	Hose Clamp	27mm, S. S	427443-08	1			
20	Joint (A)	ABS	436302-01	1			
21	Suction Hose	EPDM	323666-01	1			
22	Filter	PP	323326-01	1			
23	Pump Motor Bracket	S. S	324001-01	1			
24	Hose Clamp	25mm, S. S	427443-03	2			
25	Elbow	ABS	436311-01	1			
26	Distributor Hose (A)	EPDM	323627-01	1			
27	Float Switch Hose	EPDM	436260-01	1			
28	Hose Clamp	16.5mm, S. S	427443-04	1			
29	Connector - Float Switch	EPDM	323636-01	1			

E

HA

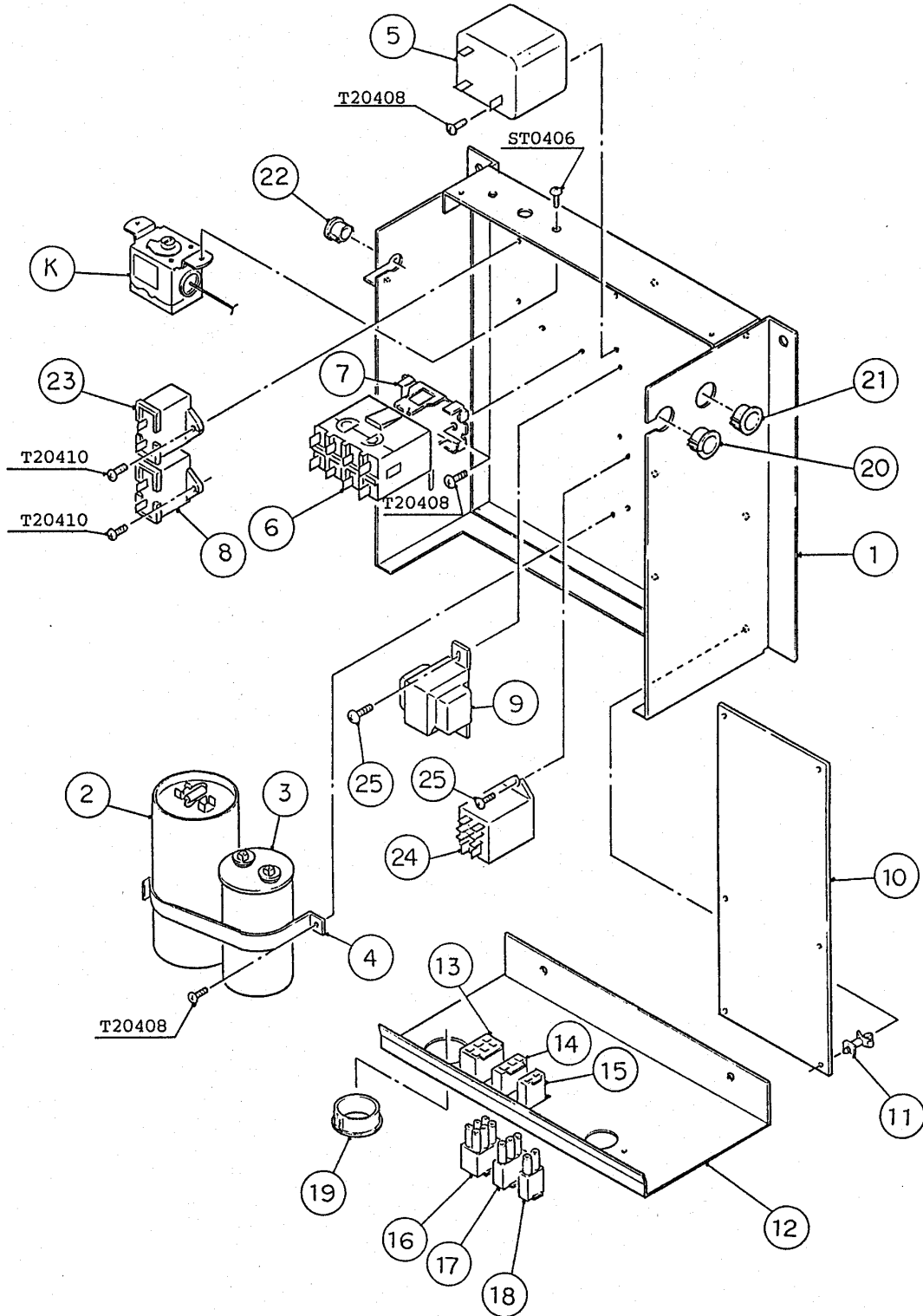
MODEL		TITLE						
KM-250BAB		C. WATER CIRCUIT						
INDEX NO.	DESCRIPTION	MATERIAL OR MODEL NUMBER	PART NUMBER	REQ'D NUMBER				
				K-1	K-2	A-0	A-1	A-2
30	Float Switch	FS-0893B	433535-01	1	1	1	1	1
31	-	-	-	-	-	-	-	-
32	Thumbscrew	ABS, S.S	415949G04	2	2	2	2	2
33	Guide	G.S	436689-01	1	1	1	1	1
34	-	-	-	-	-	-	-	-
35	Conduit	Copper	436288-01	2	-	2	2	2
36	Clamp	No. 1873	427902-06	3	1	2	2	2
37	Joint	ABS	436292-01	1	3	1	1	1
38	Drain Pan	S.S	213480G01	1	1	1	1	1
39	Drain (A)	} (324543A01) EPDM	323675-01	1	1	1	1	1
40	Drain (A1)		437603-01	1	1	1	1	1
41	Pipe - Drain	PPVD1110	437622-01	1	-	-	-	-
			437622-03		1	1	1	1
42	Drain (B)	EPDM	323674-01	1	1	1	1	1
43	Drain Hose	EPDM	434808-01	1	1	1	1	1
44	Plate	G.S	436308-01	1	1	1	1	1
45	Fitting - Drain	Bronze	322412-01	1	1	x 1		
			438729-01			o 1	1	1
46	Separator	ABS	213620-01	1	1	1	1	1
47	Cap	EPDM	436477-01	x 1				
			439362-01	o 1	1	1	1	1
48	Cube Guide	ABS	214196-01	1	1	1	1	1
49	Hose Clamp	SNP-22	435947-11	1	1	1	1	1
50	Cable Tie	232N5085-31	429297-01	2	2	2	2	2
51	Cable Tie	CV-200	7920-0100	2	2	2	2	2
52	Pipe - Drain	PPVD1110	437622-02	1	1	1	1	1
53	-	-	-	-	-	-	-	-
54	Spacer	EPDM	437651-01	1	1	1	1	1
55	Drain (B)	EPDM	437673-01	1	1	1	1	1
56	Pad	ABS	437764-01	1	1	1	1	1
57	Clamp	No. 4253	427902-05	1	1	1	1	1
58	Joint	-	439240-01		1	1	1	1
59	Hose	-	325803-01		1	1	1	1
60	Solenoid Valve	-	439322-01		1	1	1	1
61	Arrow Label	-	4A0096-01		2	2	2	2

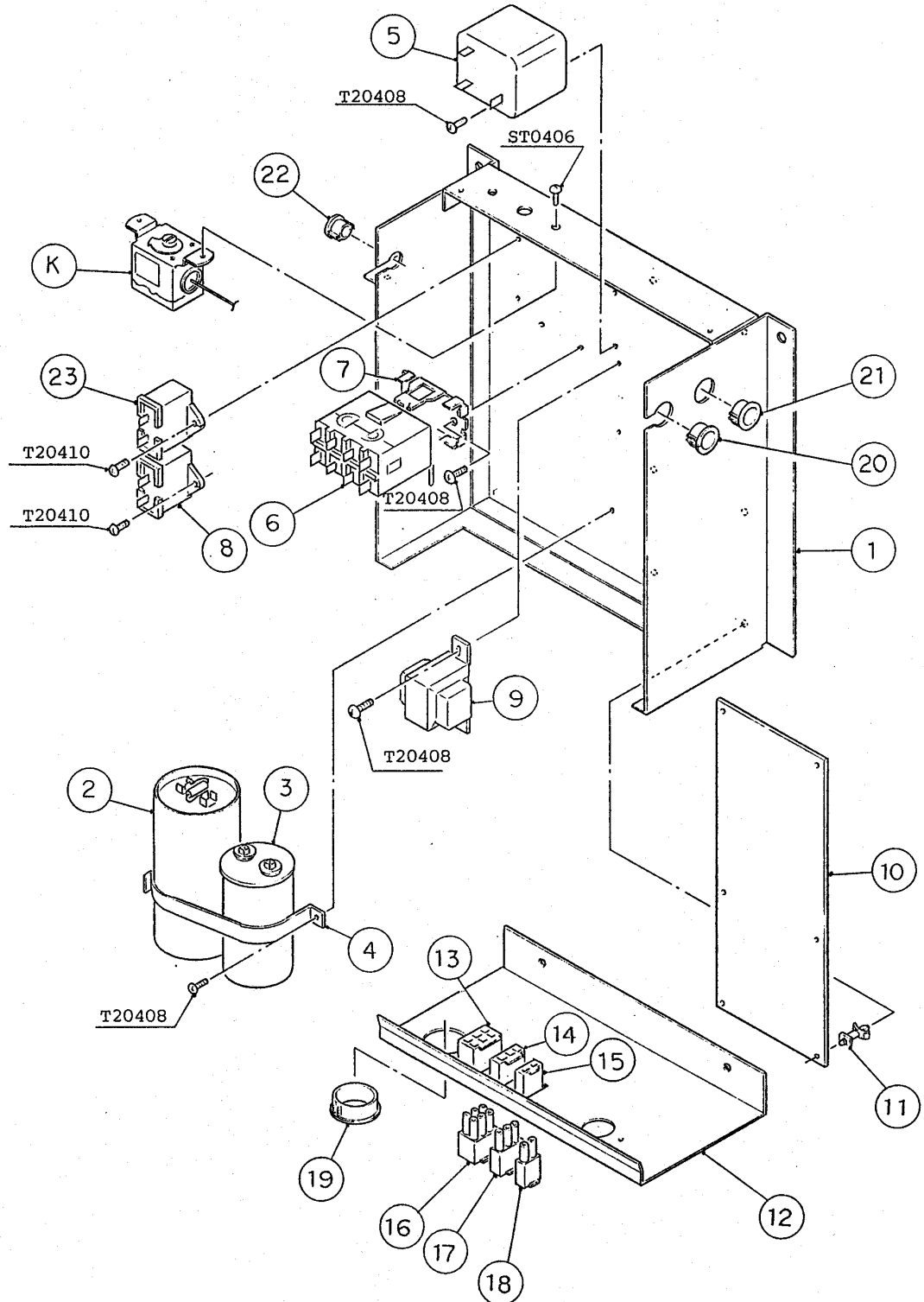
E

HA

MODEL		TITLE					
KM-250BAB		C. WATER CIRCUIT					
INDEX NO.	DESCRIPTION	MATERIAL OR MODEL NUMBER	PART NUMBER	REQ'D NUMBER			
				B-1			
30	Float Switch	FS-0893B	433535-01	1			
31	-	-	-	-			
32	Thumbscrew	ABS, S.S	415949G04	2			
33	Guide	G.S	436689-01	1			
34	-	-	-	-			
35	Conduit	Copper	436288-01	2			
36	Clamp	No. 1873	427902-06	2			
37	Joint	ABS	436292-01	1			
38	Drain Pan	S.S	213480G01	1			
39	Drain (A)	} (324543A01) EPDM	323675-01	1			
40	Drain (A1)		437603-01	1			
41	Pipe - Drain	PPVD1110	437622-03	1			
42	Drain (B)	EPDM	323674-01	1			
43	Drain Hose	EPDM	434808-01	1			
44	Plate	G.S	436308-01	1			
45	Fitting - Drain	Bronze	438729-01	1			
46	Separator	ABS	213620-01	1			
47	Cap	EPDM	439362-01	1			
48	Cube Guide	ABS	214196-01	1			
49	Hose Clamp	SNP-22	435947-11	1			
50	Cable Tie	232N5085-31	429297-01	2			
51	Cable Tie	CV-200	7920-0100	2			
52	Pipe - Drain	PPVD1110	437622-02	1			
53	-	-	-	-			
54	Spacer	EPDM	437651-01	1			
55	Drain (B)	EPDM	437673-01	1			
56	Pad	ABS	437764-01	1			
57	Clamp	No. 4253	427902-05	1			
58	Joint	-	439240-01	1			
59	Hose	-	325803-01	1			
60	Solenoid Valve	-	439322-01	1			
61	Arrow Label	-	4A0096-01	2			

E





HA

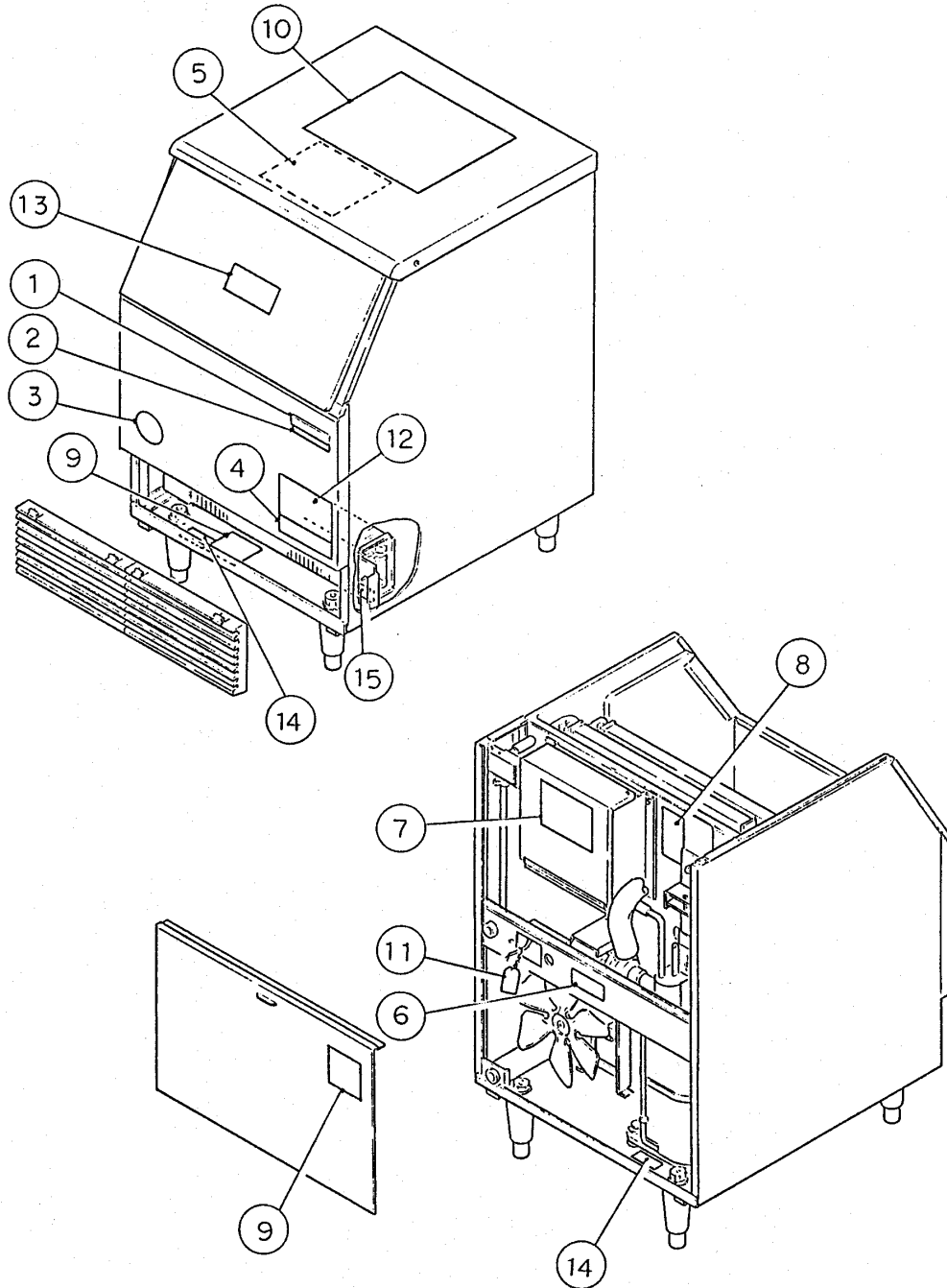
MODEL		TITLE			REQ'D NUMBER				
KM-250BAB		D. CONT. BOX ASSY							
INDEX NO.	DESCRIPTION	MATERIAL OR MODEL NUMBER	PART NUMBER	REQ'D NUMBER					
				K-1	K-2	A-0	A-1	A-2	
K	THERMOSTAT ASSY	-	324558A01	1	1	1	1	1	
1	Cont. Box	G. S	213417G01	1	1	1	1	-	
			213417G02					1	
2	Start Capacitor	270-324 μ F	434171-03	1	1	1	1	1	
3	Run Capacitor	15 μ F, 370 V	434170-03	1	1	1	1	1	
4	Strap	G. S	434580-03	1	1	1	1	1	
5	Starter	040-0001-11	434172-03	1	1	1	1	1	
6	Magnetic Contactor	VC20	428393-01	1	1	1	1	1	
7	Bracket	G. S	428393F01	1	1	1	1	1	
8	Capacitor	5.5 μ F, 230 V	428641-02	1	1	1	1	1	
9	Transformer	H2HA016H01	3U0113-01	1	1	x 1			
		H2HA016H01A	300139-01			o 1	1	-	
		BW48-005	3U0135-01					1	
10	Controller Board	H2AA087C02	2U0103-02	1	1	x 1			
		H2AA087C03	2U1034-01			o 1	1	-	
		MY9KM910	2U0127-01					1	
11	Board Support	HGLS-6S	414929-01	6	6	6	6	6	
12	Cont. Box Retainer	G. S	436264-01	1	-				
			439311-01		1	1	1	1	
13	4P Plug Housing	3191-04P	412832-05	1	-				
	6P Plug Housing	3191-06P	412832-03		1	1	1	1	
14	3P Plug Housing	3191-03P	412832-06	1	1	1	1	1	
15	2P Plug Housing	3191-02P	412832-07	1	1	1	1	1	
16	4P Receptacle Housing	3191-04R1	412831-05	1	-				
	6P Receptacle Housing	3191-06R1	412831-03		1	1	1	1	
17	3P Receptacle Housing	3191-03R1	412831-06	1	1	1	1	1	
18	2P Receptacle Housing	3191-02R1	412831-07	1	1	1	1	1	
19	Bushing	SB-1093-15	420470-03	1	1	1	1	1	
20	Bushing	OCB-625	428394-03	1	1	1	1	1	
21	Bushing	SB-625-8	420470-01	1	1	1	1	1	
22	Bushing	OCB-500	428394-02	1	1	1	1	1	
23	Capacitor	5 μ F, 240 V	431928-04	1	1	1	1	1	
24	Relay	LY1F-HSD	418271-05	1	1	1	1	-	
25	Tapping Screw	3x8	431415-01	4	4	4	4	-	

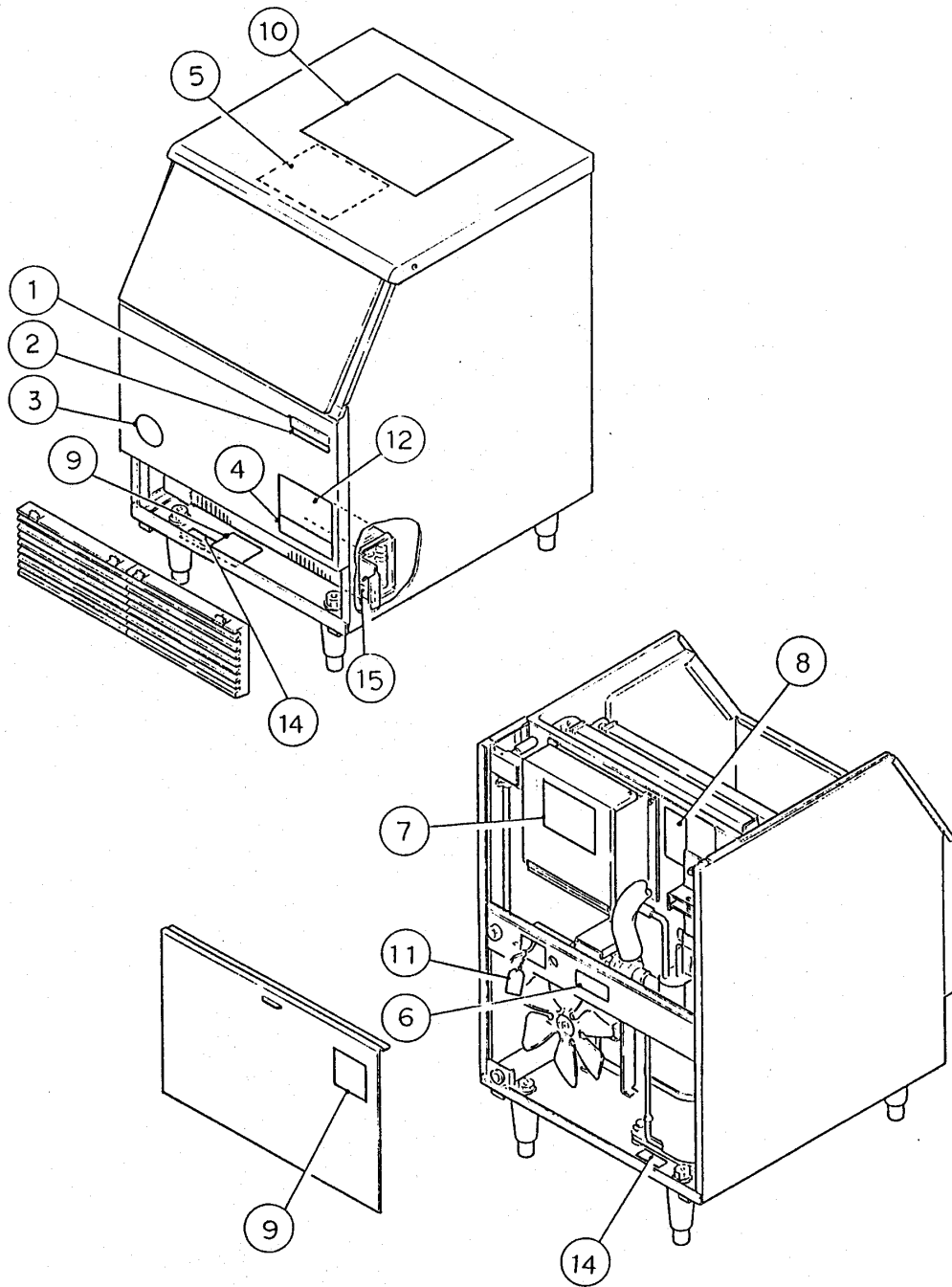
E

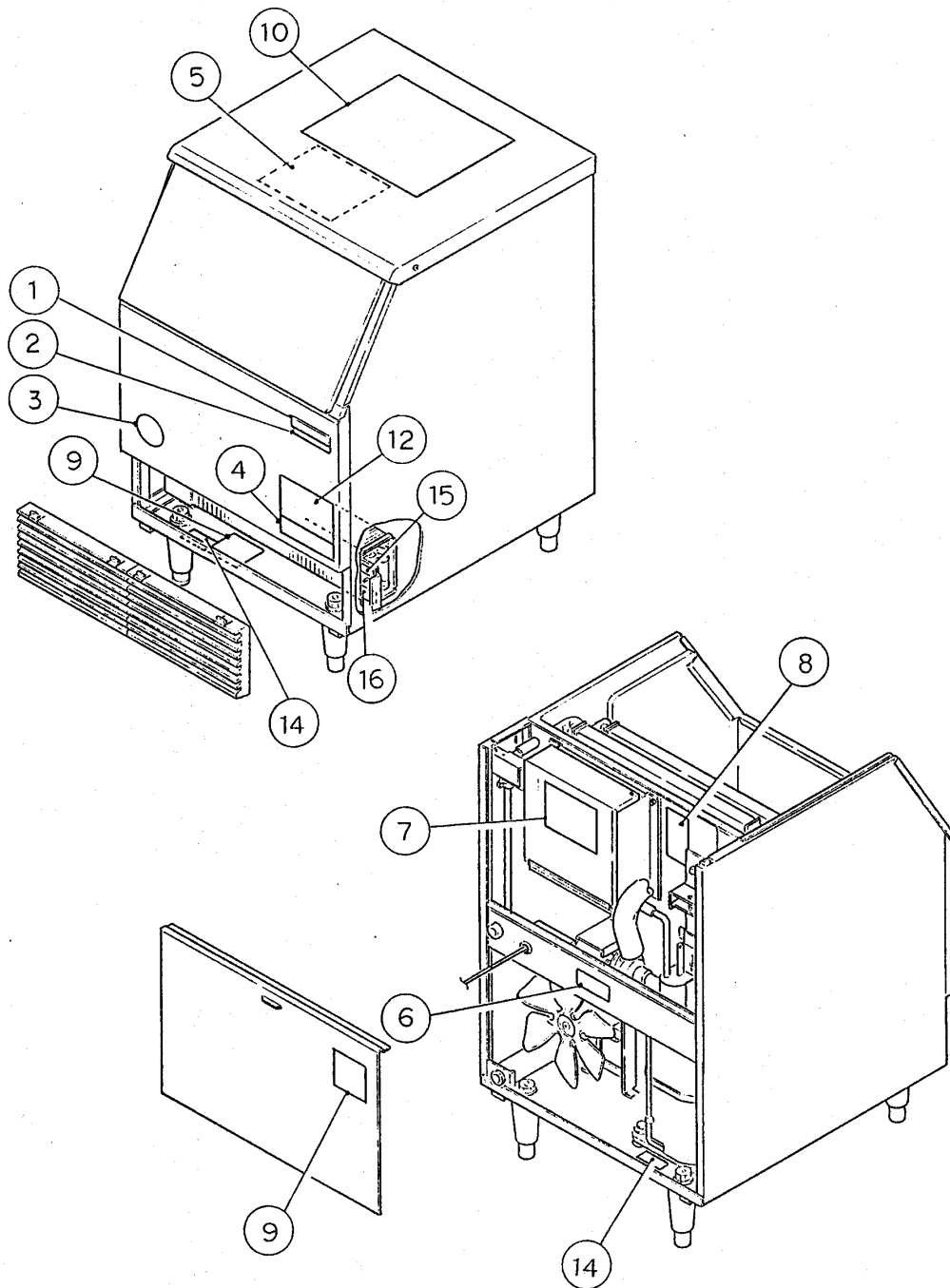
HA

MODEL		TITLE					
KM-250BAB		D. CONT. BOX ASSY					
INDEX NO.	DESCRIPTION	MATERIAL OR MODEL NUMBER	PART NUMBER	REQ'D NUMBER			
				B-1			
K	THERMOSTAT ASSY	-	324558A01	1			
1	Cont. Box	G. S	213417G02	1			
2	Start Capacitor	270-324 μ F	434171-03	-			
	Capacitor - Starting	270-324MFD, 125VAC	3A0076-04	1			
3	Run Capacitor	15 μ F, 370 V	434170-03	-			
	Capacitor	15MFD, 370VAC	439943-04	1			
4	Strap	G. S	434580-03	-			
			434580-07	1			
5	Starter	040-0001-11	434172-03	x 1			
		3ARR3CT8L5	442866-01	o 1			
6	Magnetic Contactor	VC20	428393-01	1			
7	Bracket	G. S	428393F01	1			
8	Capacitor	5.5 μ F, 230 V	428641-02	1			
9	Transformer	BW48-005	3U0135-01	1			
10	Controller Board	MY9KM910	2U0127-01	1			
11	Board Support	HGLS-6S	414929-01	6			
12	Cont. Box Retainer	G. S	439311-01	1			
13	6P Plug Housing	3191-06P	412832-03	1			
14	3P Plug Housing	3191-03P	412832-06	1			
15	2P Plug Housing	3191-02P	412832-07	1			
16	6P Receptacle Housing	3191-06R1	412831-03	1			
17	3P Receptacle Housing	3191-03R1	412831-06	1			
18	2P Receptacle Housing	3191-02R1	412831-07	1			
19	Bushing	SB-1093-15	420470-03	1			
20	Bushing	OCB-625	428394-03	1			
21	Bushing	SB-625-8	420470-01	1			
22	Bushing	OCB-500	428394-02	1			
23	Capacitor	5 μ F, 240 V	431928-04	1			
24	-	-	-	-			
25	-	-	-	-			

E







HA

MODEL		TITLE						
KM-250BAB		E. LABEL LOCATION						
INDEX NO.	DESCRIPTION	MATERIAL OR MODEL NUMBER	PART NUMBER	REQ'D NUMBER				
				K-1	K-2	A-0	A-1	A-2
1	Emblem (L) - HOSHIZAKI	ABS	418634G01	1	1	1	1	1
2	Model Number Label	PES Film	436041-13	1	1	1	1	1
3	Label - Penguin (R)	PETP Film	410994-01	1	1	1	1	1
4	Manual Label (B)	PETP Film	437772-01	1	1	1	1	1
5	Maintenance Label	-	324498-01	1	1	1	1	1
6	Warning Label	PVC Film	431092-01	1	1	1	1	1
7	Wiring Label	PVC Film	324425-01	1	-			
			325473-01		1	1	-	
			327188-01				1	-
			326251-01					1
			437554-01	1	1	1	1	1
8	Manual Label - Float Switch	-	437554-01	1	1	1	1	1
9	Nameplate	Embossnamer	437526-01	2	2	x 2		
			440430-01			o 2	-	
			440993-01				o 2	2
10	Instruction Sheet	Paper	213962-01	1	1	1	1	1
11	Tag - Warning: Electrical Connection	Paper	435005-01	1	1	1	-	
12	Manual Label (A)	PETP Film	437553-01	1	1	1	1	1
13	Label - Door	PES Film	438096-01	1	-			
14	Label -R502	PES Film	4A0026-01	2	2	2	2	2
15	Label - Switch	PVC Film	436248-01	x 1				
			438613-01	o 1	1	1	1	1
16	Caution Label	PVC	440683-01				1	1

E

HA

MODEL		TITLE					
KM-250BAB		E. LABEL LOCATION					
INDEX NO.	DESCRIPTION	MATERIAL OR MODEL NUMBER	PART NUMBER	REQ'D NUMBER			
				B-1			
1	Emblem (L) - HOSHIZAKI	ABS	418634G01	1			
2	Model Number Label	PES Film	436041-13	1			
3	Label - Penguin (R)	PETP Film	410994-01	1			
4	Manual Label (B)	PETP Film	437772-01	1			
5	Maintenance Label	-	324498-01	1			
6	Warning Label	PVC Film	431092-01	1			
7	Wiring Label	PVC Film	326251-01	1			
8	Manual Label - Float Switch	-	437554-01	1			
9	Nameplate	Embossnamer	440993-01	2			
10	Instruction Sheet	Paper	213962-01	1			
11	-	-	-	-			
12	Manual Label (A)	PETP Film	437553-01	1			
13	-	-	-	-			
14	Label -R502	PES Film	4A0026-01	2			
15	Label - Switch	PVC Film	438613-01	1			
16	Caution Label	PVC	440683-01	1			

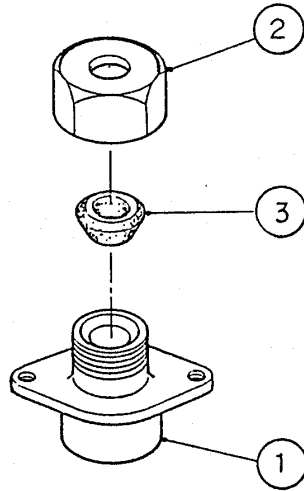
E

(S-0694)

HA
KM-250BAB

G. FITTING (P) ASSY

(B-1)(A-2)(A-1)
(A-0)(K-2)(K-1)



HA

MODEL		TITLE						
KM-250BAB		G. FITTING (P) ASSY (S-0694)						
INDEX NO.	DESCRIPTION	MATERIAL OR MODEL NUMBER	PART NUMBER	REQ'D NUMBER				
				K-1	K-2	A-0	A-1	A-2
1	Fitting (K)	Bronze	310978-01	1	1	1	1	1
2	Nut Fitting (A)	Brass	415713-01	1	1	1	1	1
3	Taper Packing (F)	NBR	415715-05	1	1	1	1	1

E

HA

MODEL		TITLE					
KM-250BAB		G. FITTING (P) ASSY (S-0694)					
INDEX NO.	DESCRIPTION	MATERIAL OR MODEL NUMBER	PART NUMBER	REQ'D NUMBER			
				B-1			
1	Fitting (K)	Bronze	310978-01	1			
2	Nut Fitting (A)	Brass	415713-01	1			
3	Taper Packing (F)	NBR	415715-05	1			

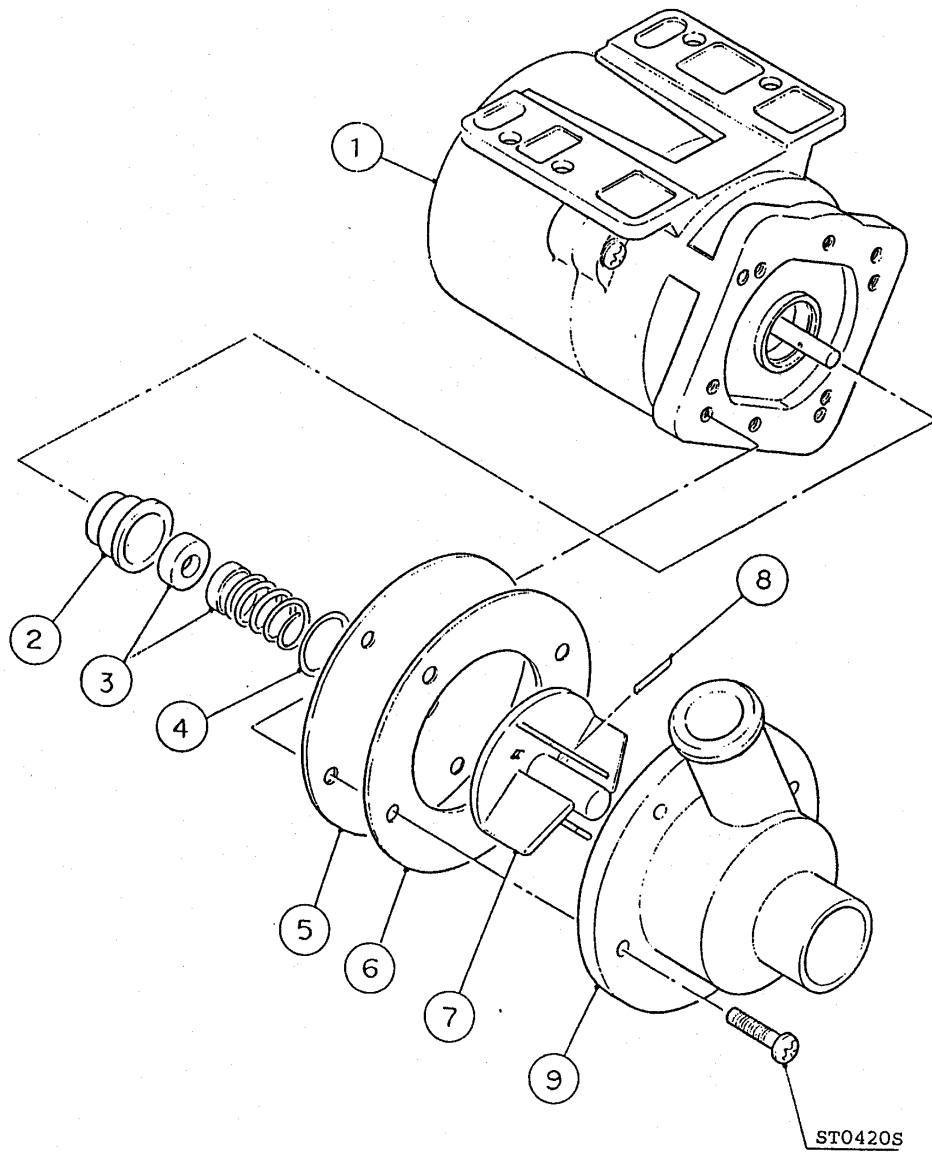
E

(S-0686)

HA
KM-250BAB

H. PUMP MOTOR ASSY

(K-1)



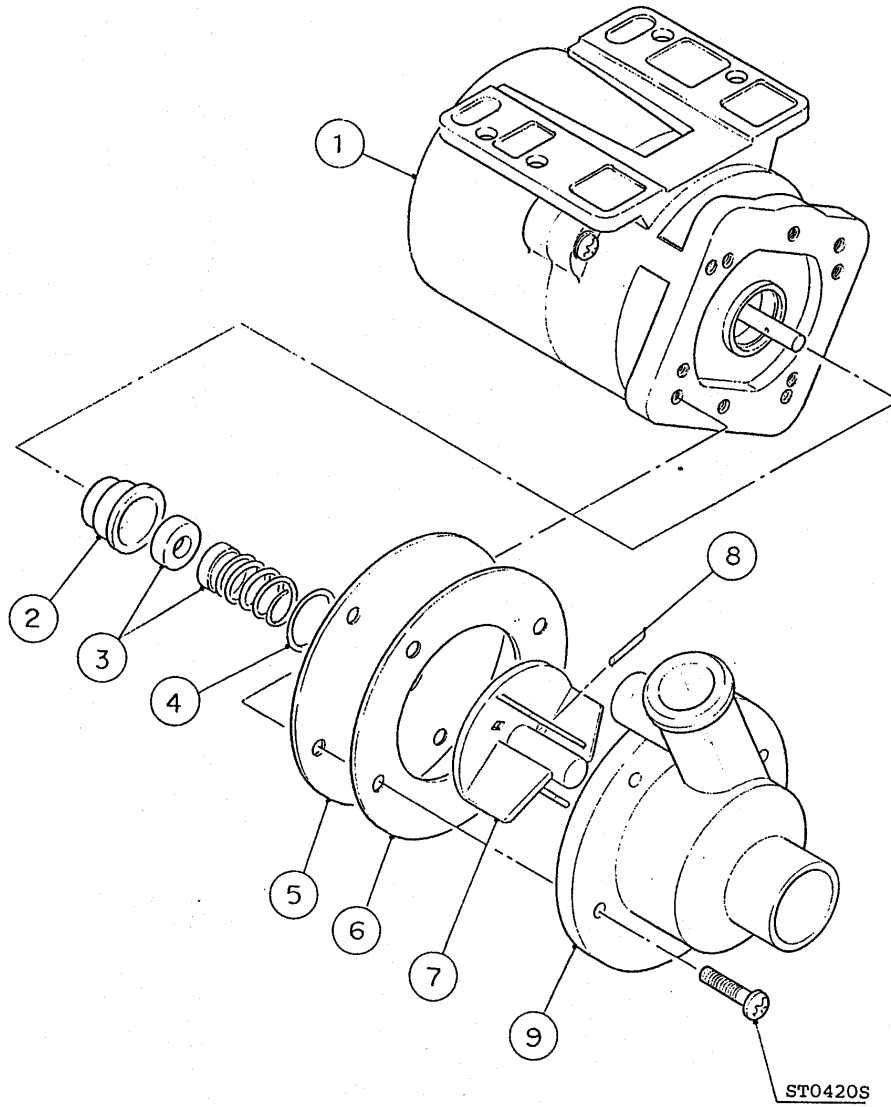
(S-0723)

HA
KM-250BAB

H. PUMP MOTOR ASSY

(B-1)
(A-2)(A-1)
(K-2)(A-0)

x0.5



HA

MODEL		TITLE						
KM-250BAB		H. PUMP MOTOR ASSY						
INDEX NO.	DESCRIPTION	MATERIAL OR MODEL NUMBER	PART NUMBER	REQ'D NUMBER				
				K-1	K-2	A-0	A-1	A-2
1	Pump Motor	AP-TA4(H), 120V	2U0095-01	1	1	1	1	1
2	Retainer	S. S	418584-01	1	1	1	1	1
3	Mechanical Seal	H5-PS9, ϕ 5	415817-01	1	1	1	1	1
4	"O" Ring	1AP18	7611-P018	1	1	1	1	1
5	Plate - Pump	S. S	403013-01	1	1	1	1	1
6	Pump Gasket	NR	403014-01	1	1	1	1	1
7	Impeller	ABS	433522-01	1	1	1	1	1
8	Pin	S. S	414102-01	1	1	1	1	1
9	Pump Housing		213811-01	1	-			
			215341-01		1	1	1	1

E

HA

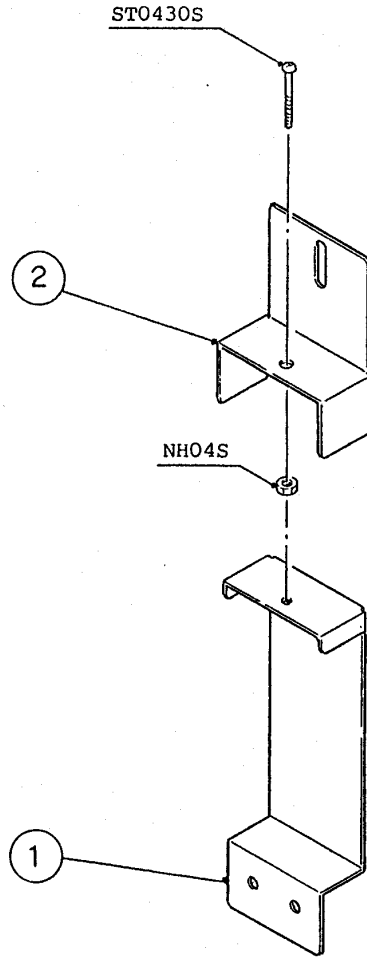
MODEL		TITLE					
KM-250BAB		H. PUMP MOTOR ASSY					
INDEX NO.	DESCRIPTION	MATERIAL OR MODEL NUMBER	PART NUMBER	REQ'D NUMBER			
				B-1			
1	Pump Motor	AP-TA4(H), 120V	2U0095-01	1			
2	Retainer	S. S	418584-01	1			
3	Mechanical Seal	H5-PS9, ϕ 5	415817-01	1			
4	"O" Ring	1AP18	7611-P018	1			
5	Plate - Pump	S. S	403013-01	1			
6	Pump Gasket	NR	403014-01	1			
7	Impeller	ABS	433522-01	1			
8	Pin	S. S	414102-01	1			
9	Pump Housing	ABS	215341-01	1			

E

HA
KM-250 BAB

J. FLOAT SW. BRACKET

(B-1)(A-2)(A-1)
(A-0)(K-2)(K-1)



HA

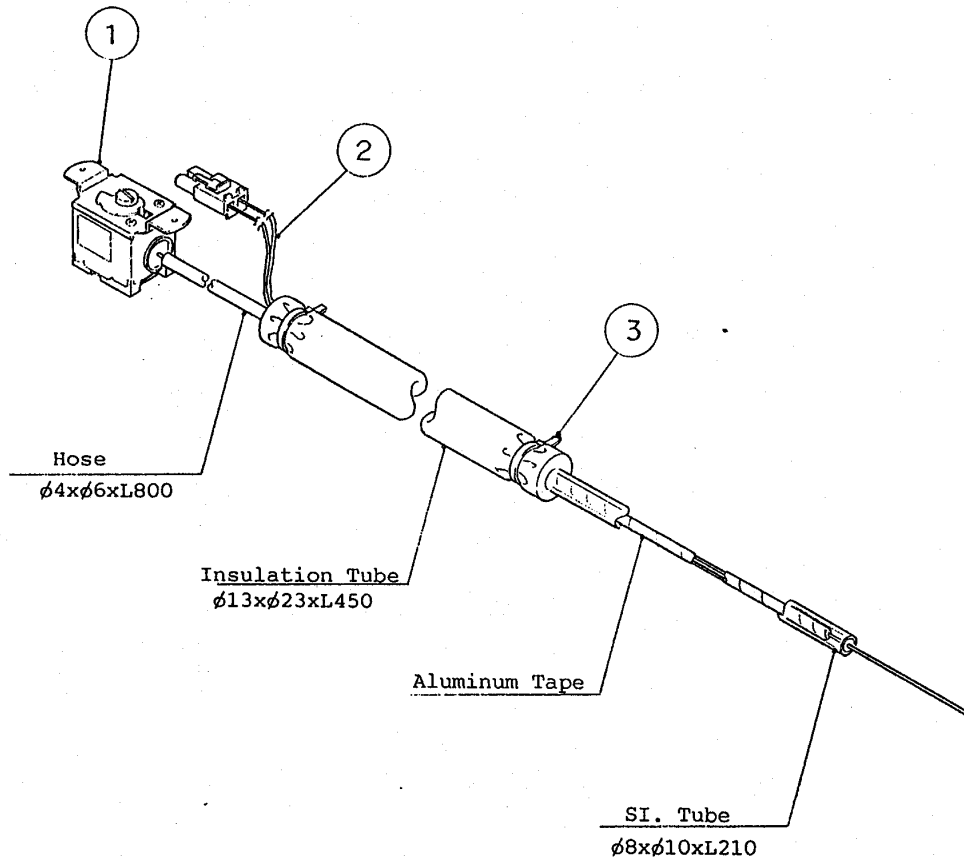
MODEL		TITLE						
KM-250BAB		J. FLOAT SW. BRACKET						
INDEX NO.	DESCRIPTION	MATERIAL OR MODEL NUMBER	PART NUMBER	REQ'D NUMBER				
				K-1	K-2	A-0	A-1	A-2
1	Float Sw. Bracket (B)	G.S	438281-01	1	1	1	1	1
2	Float Sw. Bracket (A)	G.S	438280-01	1	1	1	1	1

E

HA

MODEL		TITLE					
KM-250BAB		J. FLOAT SW. BRACKET					
INDEX NO.	DESCRIPTION	MATERIAL OR MODEL NUMBER	PART NUMBER	REQ'D NUMBER			
				B-1			
1	Float Sw. Bracket (B)	G. S	438281-01	1			
2	Float Sw. Bracket (A)	G. S	438280-01	1			

E



HA

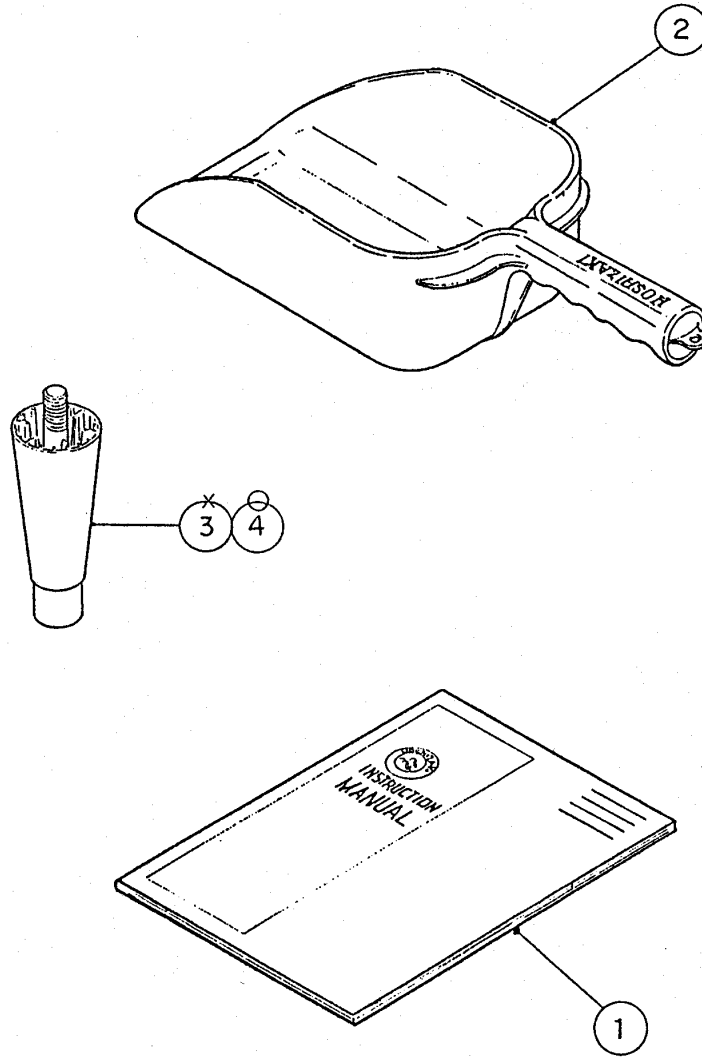
MODEL		TITLE						
KM-250BAB		K. THERMOSTAT ASSY						
INDEX NO.	DESCRIPTION	MATERIAL OR MODEL NUMBER	PART NUMBER	REQ'D NUMBER				
				K-1	K-2	A-0	A-1	A-2
1	Thermostat	A30-3761	437626-01	1	1	1	1	1
2	Heater	-	437409-01	1	1	1	1	1
3	Tie	CV-100	7920-0002	2	2	2	2	2

E

HA

MODEL		TITLE					
KM-250BAB		K. THERMOSTAT ASSY					
INDEX NO.	DESCRIPTION	MATERIAL OR MODEL NUMBER	PART NUMBER	REQ'D NUMBER			
				B-1			
1	Thermostat	A30-3761	437626-01	1			
2	Heater	-	437409-01	1			
3	Tie	CV-100	7920-0002	2			

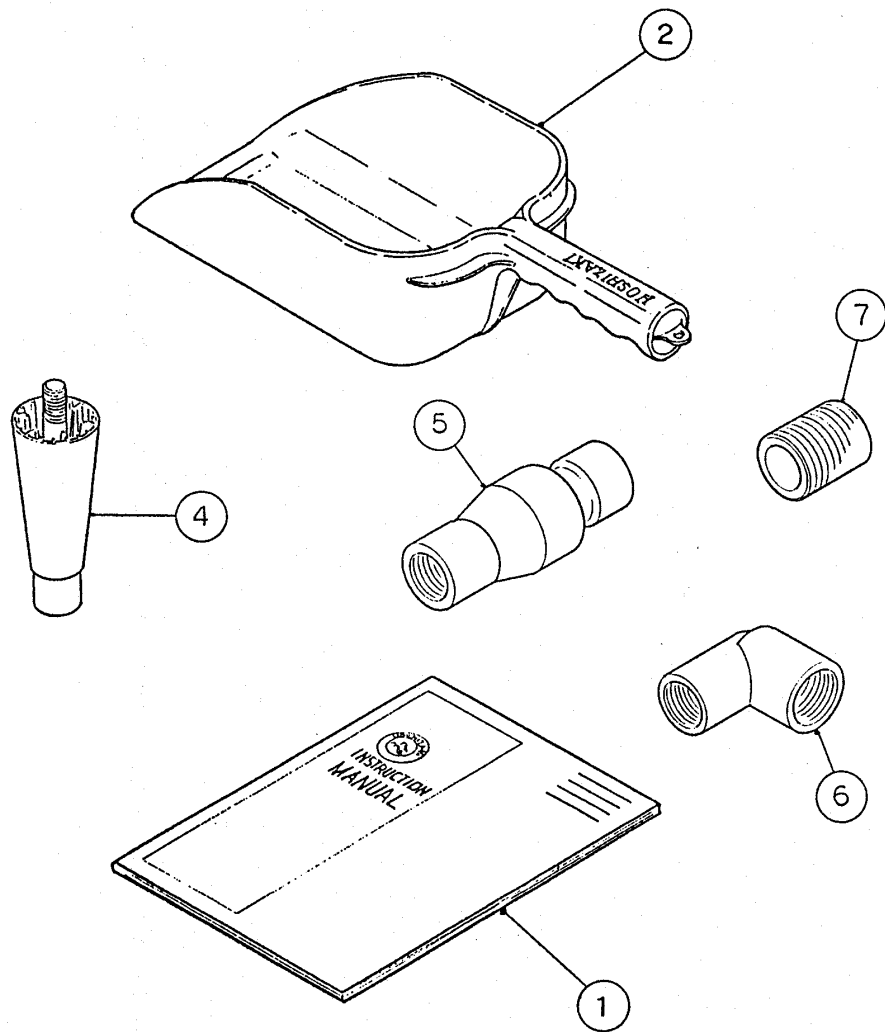
E

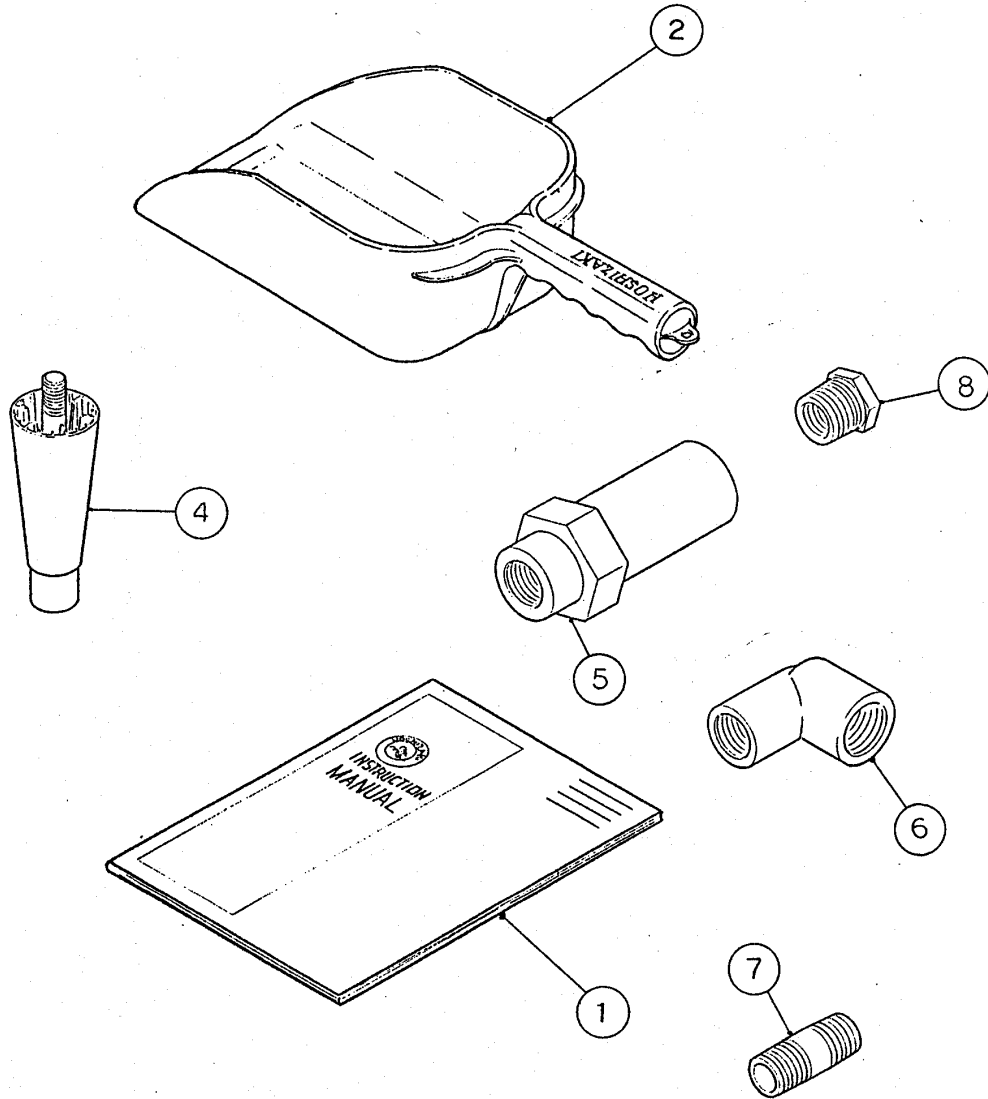


HA
KM-250BAB

L . ACCESSORIES

(B-1)
(A-2)(A-1)
(K-2)(A-0)





HA

MODEL		TITLE			REQ'D NUMBER				
KM-250BAB		L. ACCESSORIES			K-1	K-2	A-0	A-1	A-2
INDEX NO.	DESCRIPTION	MATERIAL OR MODEL NUMBER	PART NUMBER						
1	Instruction Manual	Paper	91U1PA10A	1	-				
			91U1PA10B		1	1	1	1	
2	Scoop	-	437625-01	1	1	1	1	1	
3	Leg	1068-1066-2837	432483-01	x 4					
4	Adjustable Leg	No. 1658	434043-01	o 4	4	4	4	4	
5	Check Valve	-	439660-01		1	1	1	1	
6	Elbow	-	439661-01		1	1	1	1	
7	Nipple	-	439662-01		1	1	1	1	

E

HA

MODEL		TITLE					
KM-250BAB		L. ACCESSORIES					
INDEX NO.	DESCRIPTION	MATERIAL OR MODEL NUMBER	PART NUMBER	REQ'D NUMBER			
				B-1			
1	Instruction Manual	Paper	91U1PA10B	1			
2	Scoop	-	437625-01	1			
3	-	-	-	-			
4	Adjustable Leg	No. 1658	434043-01	x 4			
	Leg	1609-0221-1646	444138-01	o 4			
5	Check Valve	-	439660-01	x 1			
			4A0168-01	o 1			
6	Elbow	-	439661-01	1			
7	Nipple	-	439662-01	x 1			
			4A0165-01	o 1			
8	Reducer Bushing		4A0169-01	o 1			

E