

Hoshizaki America, Inc.

Stackable Crescent Cuber

Models

KM-2500SVWH3

KM-2500SRH3



“A Superior Degree
of Reliability”

www.hoshizaki.com

PARTS LIST



Number: 71281
Issued: 9-3-2009
Revised: 10-8-2014

CONTENTS

Auxiliary Codes.....	3
Note About Ordering Parts	3
A. Ice Cuber Assembly & Refrigeration Circuit	4
KM-2500SWH3	4
KM-2500SRH3	7
B. Water Circuit	10
C. Control Box Assembly	13
D. Accessories & Labels	14

Auxiliary Codes

KM-2500SWH3	T-0	May 2008
	U-0	January 2009
	V-0	January 2010
	V-1	July 2010
	A-0	February 2011
	B-0	January 2012
	C-0	January 2013
	C-1	March 2013
	D-0	January 2014
	D-1	February 2014

KM-2500SRH3	T-0	May 2008
	U-0	August 2009
	V-0	January 2010
	V-1	July 2010
	A-0	January 2011
	B-0	January 2012
	C-0	January 2013
	D-0	January 2014
	D-1	October 2014

Auxiliary Code Breakdown

The auxiliary code is the first two characters in the serial number. The first character indicates the year. Years progress or regress in alphabetical order. The series runs from "A" through "V" and the letters "I" and "O" are skipped. The second character indicates significant part changes within a year. Base is "0" and this number advances for each change. In cases where there is a letter in parentheses, this designates the month. This is the last character in the serial number. The series runs from "(A)" through "(M)" and the letter "(I)" is skipped. This designation is only included when identifying a parts change within an auxiliary code.

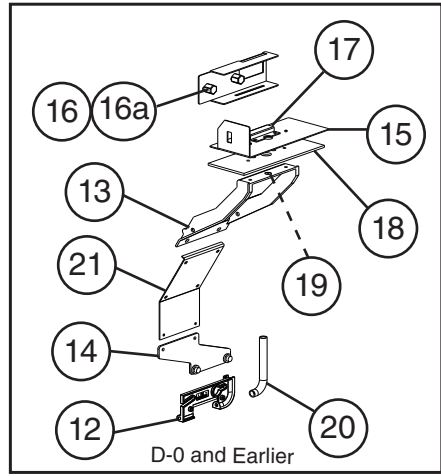
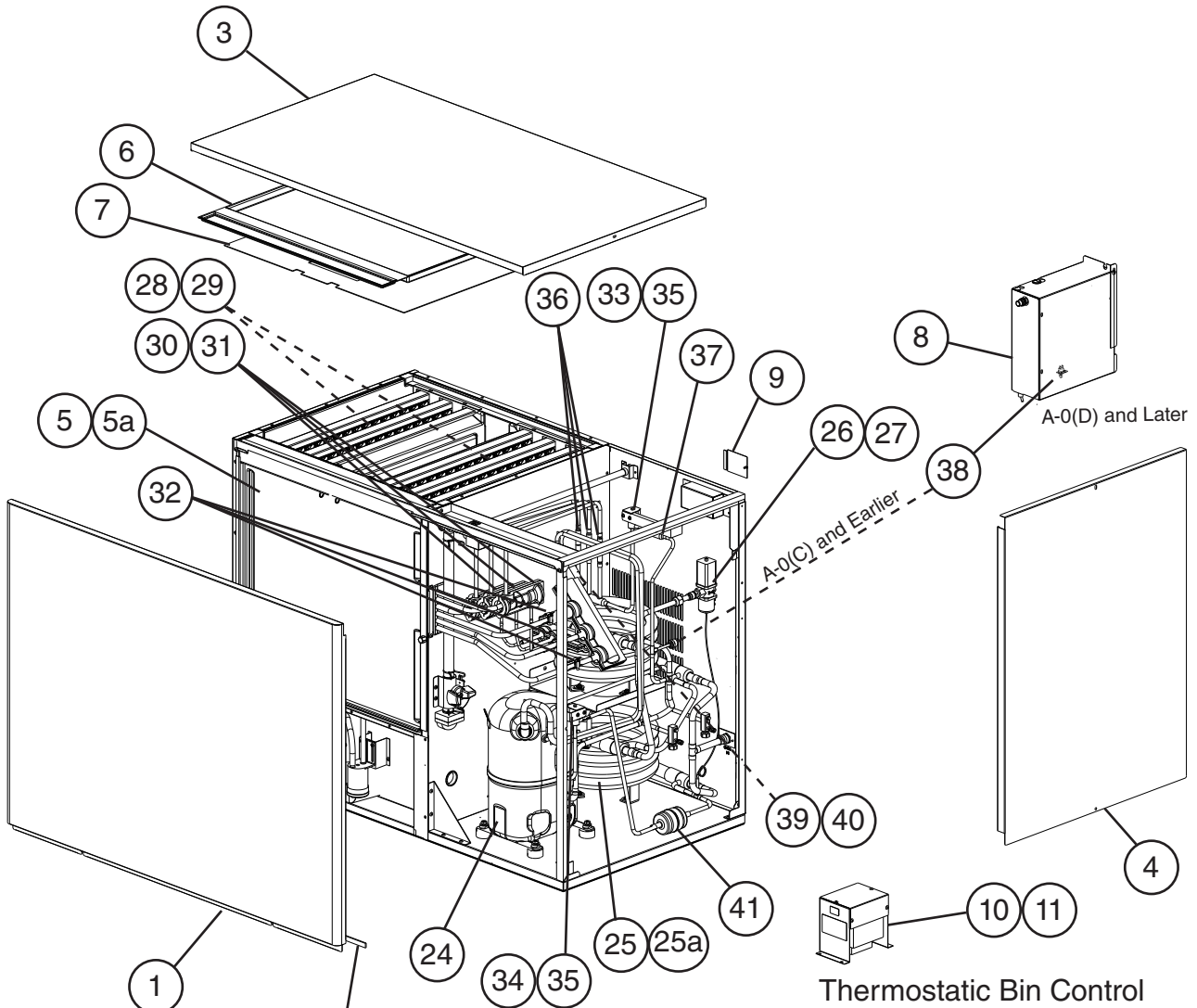
Note About Ordering Parts

Most assemblies cannot be ordered as complete units; parts in the assemblies generally must be ordered separately.

A. Ice Cuber Assembly & Refrigeration Circuit

KM-2500SWH3

T-0 to D-1



Item 14 is for use with Hoshizaki bins B-1300, B-1500, B-1650, and non-Hoshizaki bins.

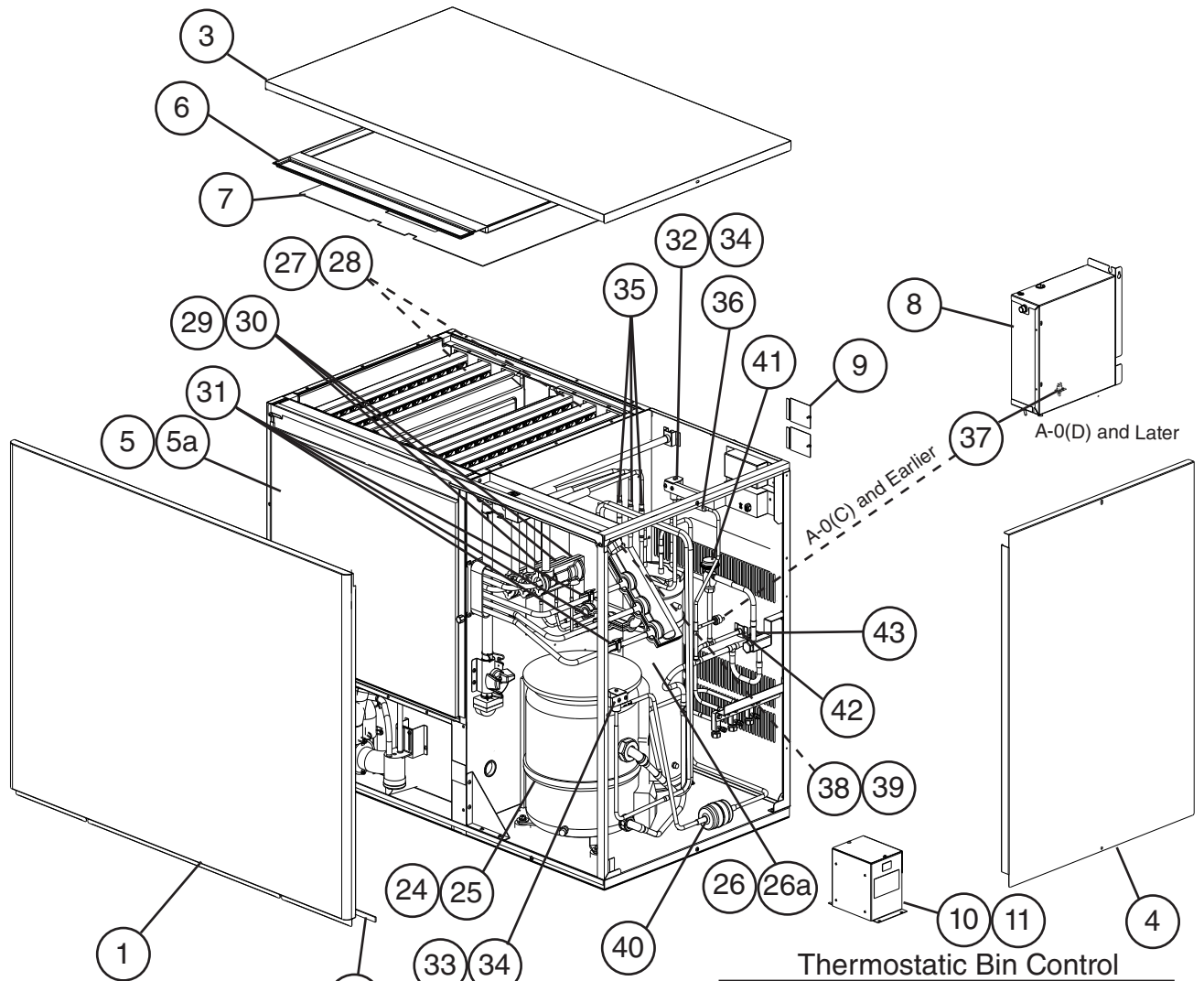
Title: A. Ice Cuber Assembly & Refrigeration Circuit Model: KM-2500SWH3												
Index No.	Description	Material or Model Number	Part Number	Required Number								
				T-0 to V-0	V-1 to A-0 (C)	A-0 (D) to A-0 (M)	B-0 to D-0	D-1				
Ice Cuber Assembly												
1	Front Panel		3A1838G01	1	1	1	1	1				
2	Gasket		4A0808L02	1	1	1	1	1				
3	Top Panel		2A2255-01	1	1	1	1	1				
4	Right Side Panel		215381G02	1	1	1	1	1				
5	Front Insulation		326041G01	1	1	1	1	1				
5a	Thumbscrew		415949G12	1	1	1	1	1				
6	Top Insulation		324216G01	1	1	1	1	1				
7	Spacer		324321-01	1	1	1	1	1				
8	Control Box Cover		3A2386-01	1	1	1	1	1				
9	Junction Box Cover		433410-01	1	1	1	1	1				
10	Main Transformer		4A0817-01	1	1	1	1	1				
11	Voltage Tap Switch		4A1477-01	1	1	1	1	1				
12	Bin Control Bulb Holder		3A3903-01	1	1	1	1	-				
13	Bin Control Bulb Holder C	ABS	216340G01	1	1	1	1	-				
14	Bin Control Bulb Holder C	Z Bracket	325845G01	1	1	1	1	-				
15	Bin Control Bulb Holder E		439725-01	1	1	1	1	-				
16	Bin Control Bulb Holder F		328743-01	1	1	1	1	-				
16a	Thumbscrew		415949G12	2	2	2	2	-				
17	Bin Control Bulb Holder G		439726-01	1	1	1	1	-				
18	Spacer		439727-01	1	1	1	1	-				
19	Capillary Ring		425307-01	1	1	1	1	-				
20	Silicone Hose	L=285 mm	773013812	1	1	1	1	-				
21	Bin Control Extension Bracket		3A0408-01	1	1	1	1	-				
22	Mounting Bracket		3A5726-01						1			
22a	Thumbscrew		415949G12						2			
23	Mechanical Bin Control		2A4393G01						1			
23a	Thumbscrew		415949G12						2			
Refrigeration Circuit												
24	Compressor		4A4486-01	1	-							
			4A5093-01		1	1	-					
			4A5093-03						1			
25	Condenser		2A2359G04	2	2	2	2	-				
			3A7236-01						2			
25a	Hex Head Bolt w/Washer	5x12	7B0130512	4	4	4	4	6				
26	Water Regulating Valve		4A0911-07	1	1	1	1	1				
27	Male Connector		4A1087-01	1	1	1	1	1				
28	Evaporator Bank (each bank includes 3 plates)		2A0416G01	2	2	2	2	2				
29	Separator Hook		324152-01	8	8	8	8	8				
30	Thermostatic Expansion Valve		4A1482-01	3	3	3	3	3				
31	Thermostatic Expansion Valve Cover		3A0944-01	3	3	3	3	3				

Title: A. Ice Cuber Assembly & Refrigeration Circuit Model: KM-2500SWH3													
Index No.	Description	Material or Model Number	Part Number	Required Number									
				T-0 to V-0	V-1 to A-0 (C)	A-0 (D) to A-0 (M)	B-0 to D-0	D-1					
32	Thermostatic Expansion Valve Bulb Holder		3A0107-01	3	3	3	3	3					
33	Hot Gas Valve Body		4A3978-01	1	1	1	1	1					
34	Liquid Line Valve Body		4A3276-01	1	1	1	1	1					
35	Valve Coil		4A3277-01	2	2	2	2	2					
36	Check Valve		4A2054-01	3	3	3	3	3					
37	Strainer		441569-02	1	1	1	1	1					
38	High-Pressure Switch		433441-05	1	1	-							
			463180-05			1	1	1					
39	Thermistor		429006-03	1	1	1	1	1					
40	Thermistor Holder		438247-01	1	1	1	1	1					
41	Drier		4A2663-01	1	1	1	1	1					

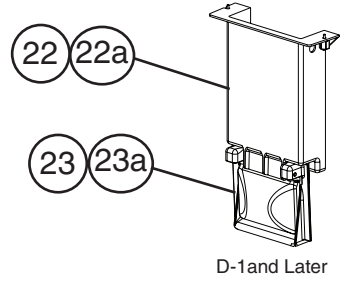
A. Ice Cuber Assembly & Refrigeration Circuit

KM-2500SRH3

T-0 to D-1

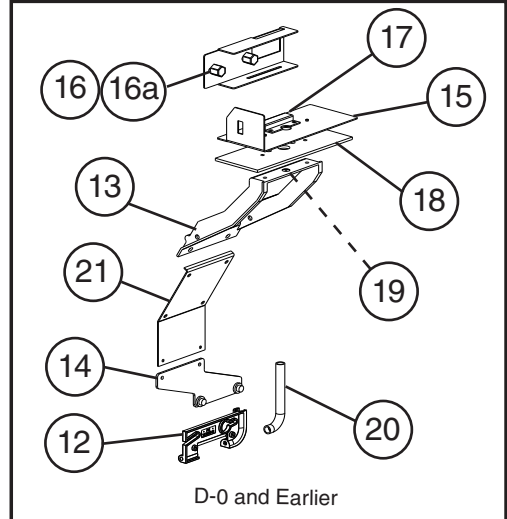


Mechanical Bin Control



D-1 and Later

Thermostatic Bin Control



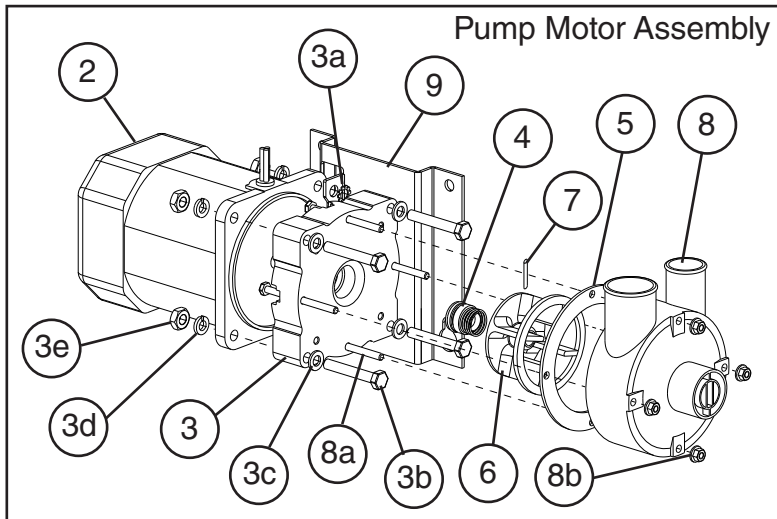
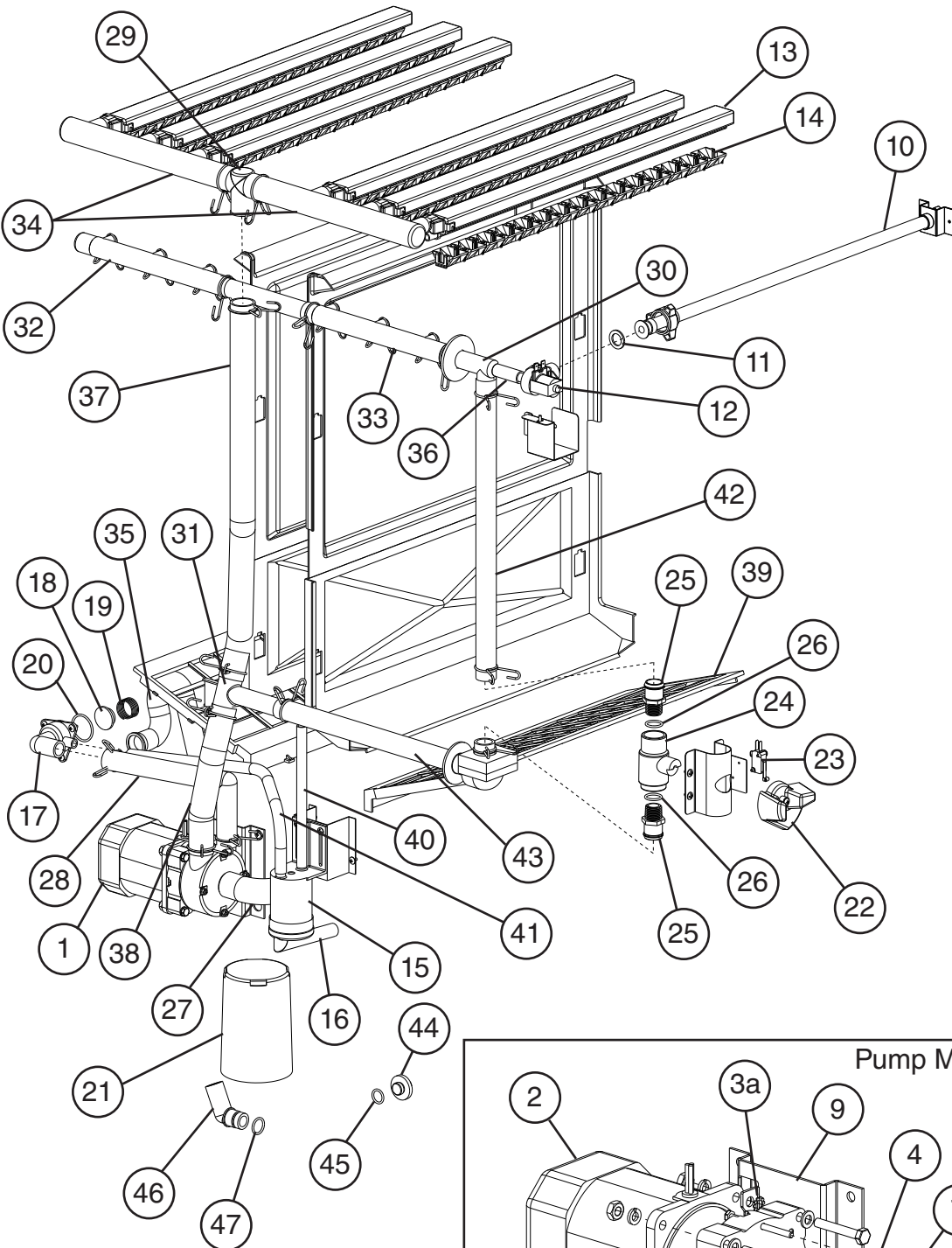
D-0 and Earlier

Item 14 is for use with Hoshizaki bins B-1300, B-1500, B-1650, and non-Hoshizaki bins.

Title: A. Ice Cuber Assembly & Refrigeration Circuit										Model: KM-2500SRH3									
Index No.	Description	Material or Model Number	Part Number	Required Number															
				T-0 to A-0 (C)	A-0 (D) to D-0	D-1													
Ice Cuber Assembly																			
1	Front Panel		3A1838G01	1	1	1													
2	Gasket		4A0808L02	1	1	1													
3	Top Panel		2A2255-01	1	1	1													
4	Right Side Panel		215381G02	1	1	1													
5	Front Insulation		326041G01	1	1	1													
5a	Thumbscrew		415949G12	1	1	1													
6	Top Insulation		324216G01	1	1	1													
7	Spacer		324321-01	1	1	1													
8	Control Box Cover		3A2386-01	1	1	1													
9	Junction Box Cover		433410-01	2	2	2													
10	Main Transformer		4A0817-01	1	1	1													
11	Voltage Tap Switch		4A1477-01	1	1	1													
12	Bin Control Bulb Holder		3A3903-01	1	1	-													
13	Bin Control Bulb Holder C	ABS	216340G01	1	1	-													
14	Bin Control Bulb Holder C	Z Bracket	325845G01	1	1	-													
15	Bin Control Bulb Holder E		439725-01	1	1	-													
16	Bin Control Bulb Holder F		328743-01	1	1	-													
16a	Thumbscrew		415949G12	2	2	-													
17	Bin Control Bulb Holder G		439726-01	1	1	-													
18	Spacer		439727-01	1	1	-													
19	Capillary Ring		425307-01	1	1	-													
20	Silicone Hose	L=285 mm	773013812	1	1	-													
21	Bin Control Extension Bracket		3A0408-01	1	1	-													
22	Mounting Bracket		3A5726-01			1													
22a	Thumbscrew		415949G12			2													
23	Mechanical Bin Control		2A4393G01			1													
23a	Thumbscrew		415949G12			2													
Refrigeration Circuit																			
24	Compressor		4A4782-01	1	1	1													
25	Crankcase Heater		4A2090-01	1	1	1													
26	Receiver		440366-01	1	1	1													
26a	Hex Head Bolt w/Washer (LF)	5x10	7B0130510	1	1	1													
27	Evaporator Bank (each bank includes 3 plates)		2A0416G01	2	2	2													
28	Separator Hook		324152-01	8	8	8													
29	Thermostatic Expansion Valve		4A1482-01	3	3	3													
30	Thermostatic Expansion Valve Cover		3A0944-01	3	3	3													
31	Thermostatic Expansion Valve Bulb Holder		3A0107-01	3	3	3													
32	Hot Gas Valve Body		4A3978-01	1	1	1													
33	Liquid Line Valve Body		4A3276-01	1	1	1													
34	Valve Coil		4A3277-01	2	2	2													
35	Check Valve		4A2054-01	3	3	3													

Title: A. Ice Cuber Assembly & Refrigeration Circuit Model: KM-2500SRH3										
Index No.	Description	Material or Model Number	Part Number	Required Number						
				T-0 to A-0 (C)	A-0 (D) to C-0	D-0 D-1				
36	Strainer		441569-02	1	1	1				
37	High-Pressure Switch		433441-07	1	-					
			463180-04		1	1				
38	Thermistor		429006-03	1	1	1				
39	Thermistor Holder		438247-01	1	1	1				
40	Drier		4A2663-01	1	1	1				
41	Headmaster (condenser pressure regulator)		4A0229-01	1	1	1				
42	Liquid Line Coupling		433751G01	1	1	1				
43	Discharge Line Coupling		434136G03	1	1	1				

B. Water Circuit
KM-2500SWH3, KM-2500SRH3
 T-0 to D-1

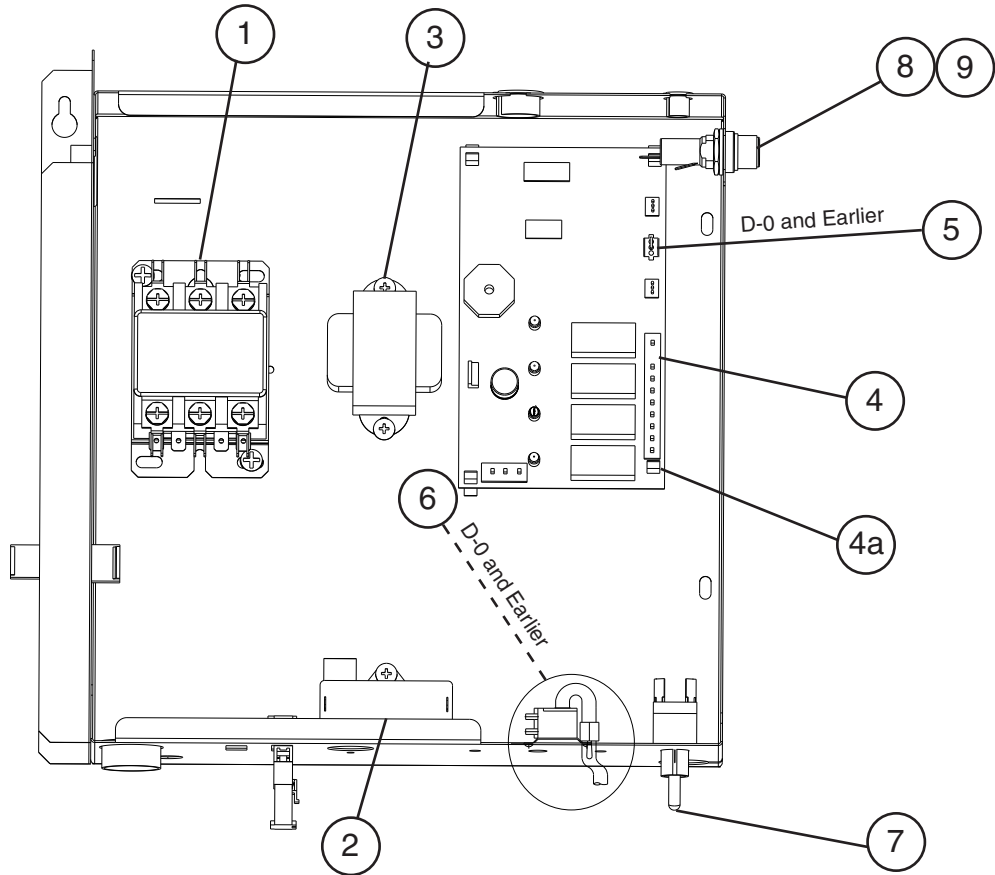


Title: B. Water Circuit Model: KM-2500SWH3, KM-2500SRH3

Index No.	Description	Material or Model Number	Part Number	Required Number								
				T-0 to V-1 (K)	V-1 (L) to A-0 (L)	A-0 (M) to D-1						
1	Pump Motor Assembly (includes items 2 through 7b)	S-0730	215692A03	1	1	1						
2	Pump Motor		2U0106-01	1	1	1						
3	Pump Flange		215662-01	1	1	1						
3a	Tooth Washer		7R22-0600	2	2	2						
3b	Hex Head Bolt	6x40	7B02-0640	4	4	4						
3c	Flat Washer		7W22-0600	4	4	4						
3d	Split Lock Washer		7L22-0600	4	4	4						
3e	Hex Nut		7N12-0600	4	4	4						
4	Mechanical Seal		4A3820-01	1	1	1						
5	Packing		428547-01	1	1	1						
6	Impeller		436584-01	1	1	1						
7	Pin		4A0648-01	1	1	1						
8	Pump Housing		213687-01	1	1	1						
8a	Hex Head Bolt	4x55	7B02-0455	1	1	1						
8b	Hex Flange Nut		7J02-0400	1	1	1						
9	Pump Motor Bracket		323904-01	1	1	1						
10	Water Supply Pipe		4A5216G04	1	1	1						
11	Rubber Gasket		413854-03	1	1	1						
12	Inlet Water Valve		4A5251-04	1	1	1						
13	Spray Tube		437049G01	6	6	6						
14	Spray Guide		208586-01	18	18	18						
15	Float Switch		4A3624-01	1	1	1						
16	Float Switch Connector		426799-04	1	1	1						
17	Drain Valve Housing		323613-01	1	1	1						
18	Drain Valve Seat		433705-01	1	1	1						
19	Drain Valve Spring		322110-01	1	1	1						
20	Drain Valve O-Ring		7611-G035	1	1	1						
21	Overflow Cap		325866-01	1	1	1						
22	Cleaning Valve Handle		215383-01	1	1	1						
23	Cleaning Valve Microswitch		4A2546-01	1	1	1						
24	Cleaning Valve Ball Valve		439293-01	1	1	1						
25	Cleaning Valve Male Adaptor		325826-01	2	2	2						
26	Cleaning Valve O-Ring		7611-P018	2	Replaced with Thread Sealant Tape							
27	Hose A		435091-01	1	1	1						
28	Hose B		325867-01	1	1	1						
29	Distributor A		439266-01	1	1	1						
30	Distributor B		439239-01	1	1	1						
31	Distributor C		439238-01	1	1	1						
32	Distributor Hose A		325738-01	1	1	1						
33	Distributor Hose B		325738-02	1	1	1						
34	Distributor Hose C		325739-01	2	2	2						
35	Drain Hose		325869-01	1	1	1						
36	Vinyl Hose	L=40 mm	7716-1216	1	1	1						

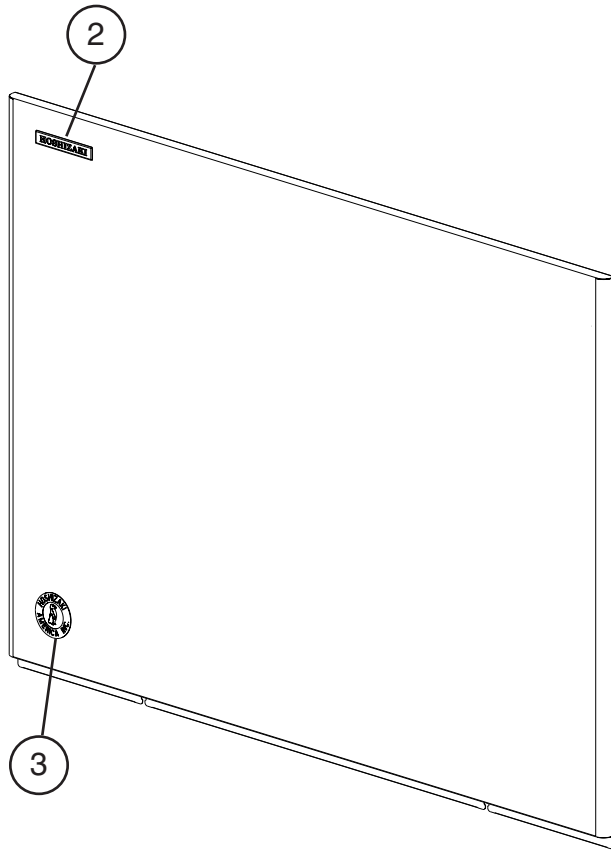
Title: B. Water Circuit Model: KM-2500SWH3, KM-2500SRH3											
Index No.	Description	Material or Model Number	Part Number	Required Number							
				T-0 to V-1 (K)	V-1 (L) to A-0 (L)	A-0 (M) to D-1					
37	Vinyl Hose	L=550 mm	7716-2732	1	1	1					
38	Vinyl Hose	L=230 mm	7716-2732	1	1	1					
39	Cube Guide		214243-01	2	2	2					
40	Silicone Hose	L=190 mm	7730I3812	1	1	1					
41	Silicone Hose	L=430 mm	7730I3896	1	1	1					
42	Joint Hose		439309-01	1	1	1					
43	Bypass Hose		439237-02	1	1	1					
44	Drain Plug		309246-01	1	1	1					
45	Drain O-Ring		7611-P015	1	1	1					
46	Overflow Joint		323923-02	1	1	-	Bonded in place A-0(M) and later				
47	Overflow O-Ring		7611P018	1	1	-					
Hose Clamps											
	Hose Clamp	25 mm	427443-03	9	9	9					
	Hose Clamp	14 mm	427443-07	6	6	6					
	Hose Clamp	32 mm	427443-09	6	6	6					

C. Control Box Assembly
KM-2500SWH3, KM-2500SRH3
 T-0 to D-1



Title: C. Control Box Assembly Model: KM-2500SWH3, KM-2500SRH3										
Index No.	Description	Material or Model Number	Part Number	Required Number						
				T-0 to B-0	C-0 to D-0	D-1				
1	Magnetic Contactor	KM-2500SWH3	4A0794-02	1	1	1				
		KM-2500SRH3	4A0794-01	1	1	1				
2	Pump Motor Capacitor	15MFD, 240VAC	439705-01	1	1	1				
3	Control Transformer		3A0172-01	1	1	1				
4	"E" Control Board		2A1410-01	1	-					
	"G" Control Board		2A3792-01		1	1				
4a	Control Board Support		4A0336-03	4	4	4				
5	K4 Jumper		4A4883G01		1	-				
	Bin Control Wire Harness		4A5197G01			1				
6	Bin Control Thermostat		4A2879-02	1	1	-				
7	Control Switch		443119-01	1	1	1				
8	Fuse Holder (control)		4A5443-01	1	1	1				
9	Fuse (control)	AGC-10A, 250VAC	4A0893-07	1	1	1				

D. Accessories & Labels
KM-2500SWH3, KM-2500SRH3
 T-0 to D-1



Title: D. Accessories & Labels Model: KM-2500SWH3, KM-2500SRH3													
Index No.	Description	Material or Model Number	Part Number	Required Number									
				T-0 to D-1									
1	Universal Brace		4A0363-01	2									
1a	Hex Bolt	5x12, SS	7B02-0512	2									
2	Hoshizaki Emblem Label		4A0560-01	1									
3	Penguin Label		4A0526-01	1									