



HOSHIZAKI

Parts List

Stackable Crescent Cuber

Models

KM-I900SAH/3

KM-I900SAH350

KM-I900SWH/3

KM-I900SRH/3



hoshizakiamerica.com

Number: 71291
Issued: 12-22-2008
Revised: 2-8-2017

CONTENTS

Auxiliary Codes.....	3
Note About Ordering Parts	4
A. Main Assembly & Refrigeration Circuit	5
KM-1900SAH/3, KM1900SAH350	5
KM-1900SWH/3	8
KM-1900SRH/3	11
B. Water Circuit	14
C. Control Box Assembly	17
D. Accessories & Labels	19

Auxiliary Codes

KM-1900SAH

T-0 October 2008
U-0 January 2009
V-1 August 2010
A-0 January 2011
B-0 January 2012
C-0 January 2013
D-0 January 2014
D-1 February 2014
D-2 November 2014
E-0 January 2015
F-0 January 2016
G-0 January 2017

KM-1900SAH3

T-0 October 2008
U-0 January 2009
V-0 January 2010
V-1 July 2010
A-0 January 2011
B-0 January 2012
C-0 January 2013
D-0 January 2014
D-1 February 2014
D-2 November 2014
E-0 January 2015
F-0 January 2016
G-0 January 2017

KM1900SAH350

U-0 July 2009
V-0 January 2010
A-0 January 2011
B-0 May 2012
C-0 September 2013
D-0 January 2014
E-0 June 2015
F-0 January 2016
G-0 February 2017

KM-1900SWH

T-0 October 2008
U-0 April 2009
V-0 February 2010
V-1 July 2010
A-0 February 2011
B-0 March 2012
C-0 February 2013
D-2 November 2014
E-0 February 2015
F-0 February 2016

KM-1900SWH3

T-0 October 2008
U-0 February 2009
V-1 December 2010
A-0 June 2011
D-1 March 2014
E-0 March 2015
F-0 March 2016
G-0 January 2017

KM-1900SRH

T-0 October 2008
U-0 January 2009
V-0 January 2010
V-1 July 2010
A-0 January 2011
A-1 October 2011
B-0 January 2012
C-0 January 2013
D-0 January 2014
D-1 February 2014
D-2 November 2014
E-0 January 2015
F-0 January 2016
G-0 January 2017

KM-1900SRH3

T-0 October 2008
U-0 January 2009
V-0 January 2010
V-1 July 2010
A-0 January 2011
A-1 October 2011
B-0 January 2012
C-0 January 2013
D-0 January 2014
D-1 February 2014
D-2 November 2014
E-0 January 2015
F-0 January 2016
G-0 January 2017

Auxiliary Code Breakdown

The auxiliary code is the first two characters in the serial number. The first character indicates the year. Years progress or regress in alphabetical order. The series runs from "A" through "V" and the letters "I" and "O" are skipped. The second character indicates significant part changes within a year. Base is "0" and this number advances for each change. In cases where there is a letter in parentheses, this designates the month. This is the last character in the serial number. The series runs from "(A)" through "(M)" and the letter "(I)" is skipped. This designation is only included when identifying a parts change within an auxiliary code.

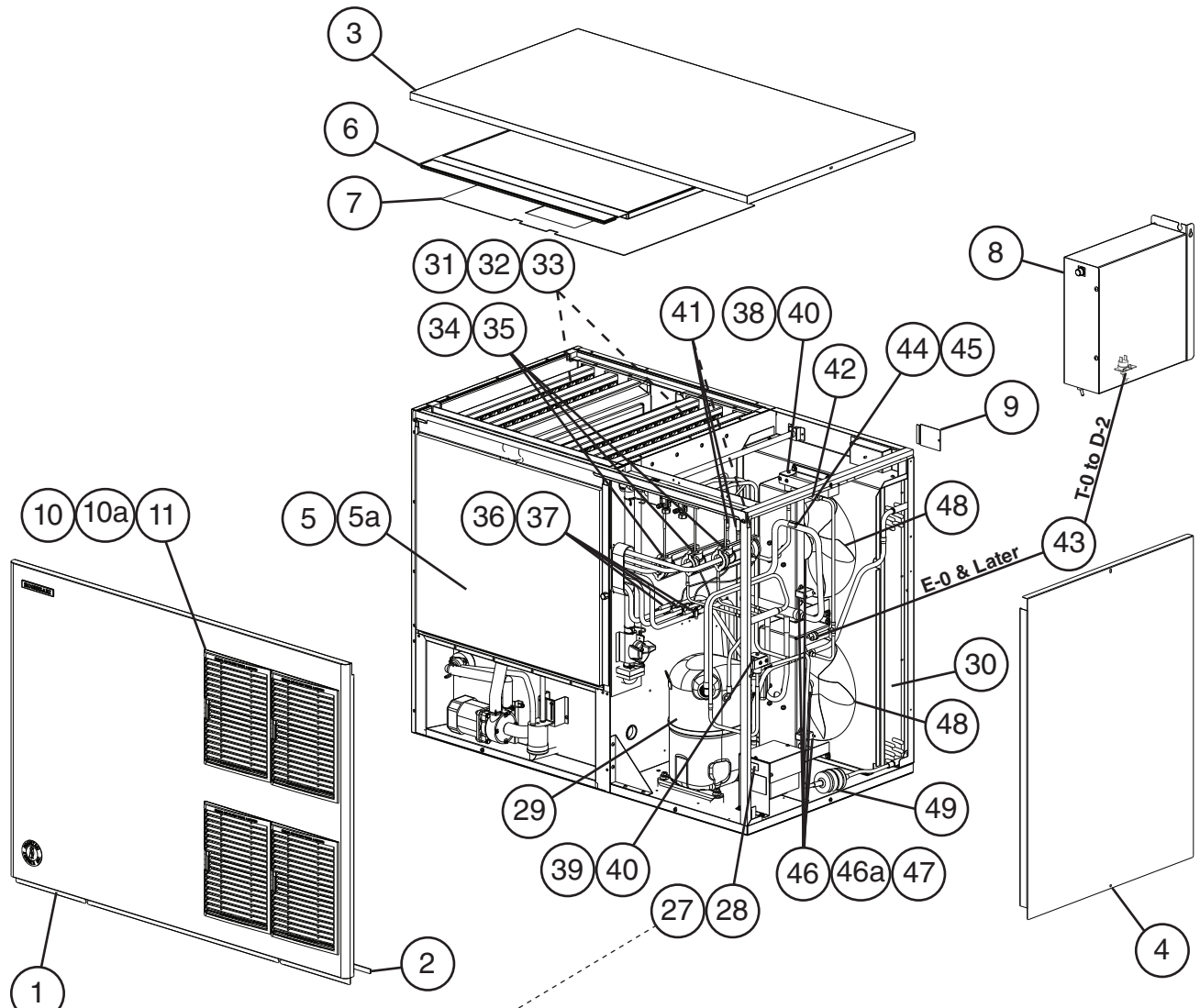
Note About Ordering Parts

Most assemblies cannot be ordered as complete units; parts in the assemblies generally must be ordered separately.

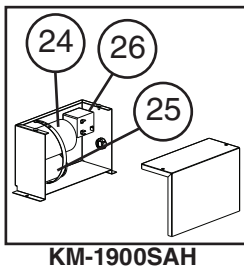
A. Main Assembly & Refrigeration Circuit

KM-1900SAH/3, KM1900SAH350

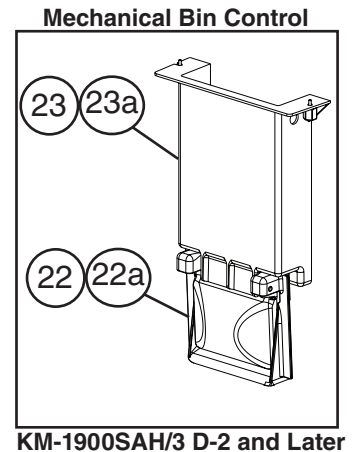
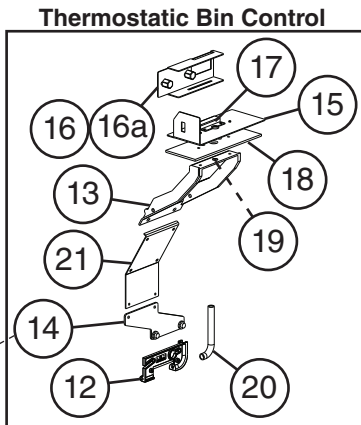
T-0 to G-0



Model Shown: KM-1900SAH3



Item 14 is for use with Hoshizaki bins B-1300, B-1500, B-1650, and non-Hoshizaki bins.



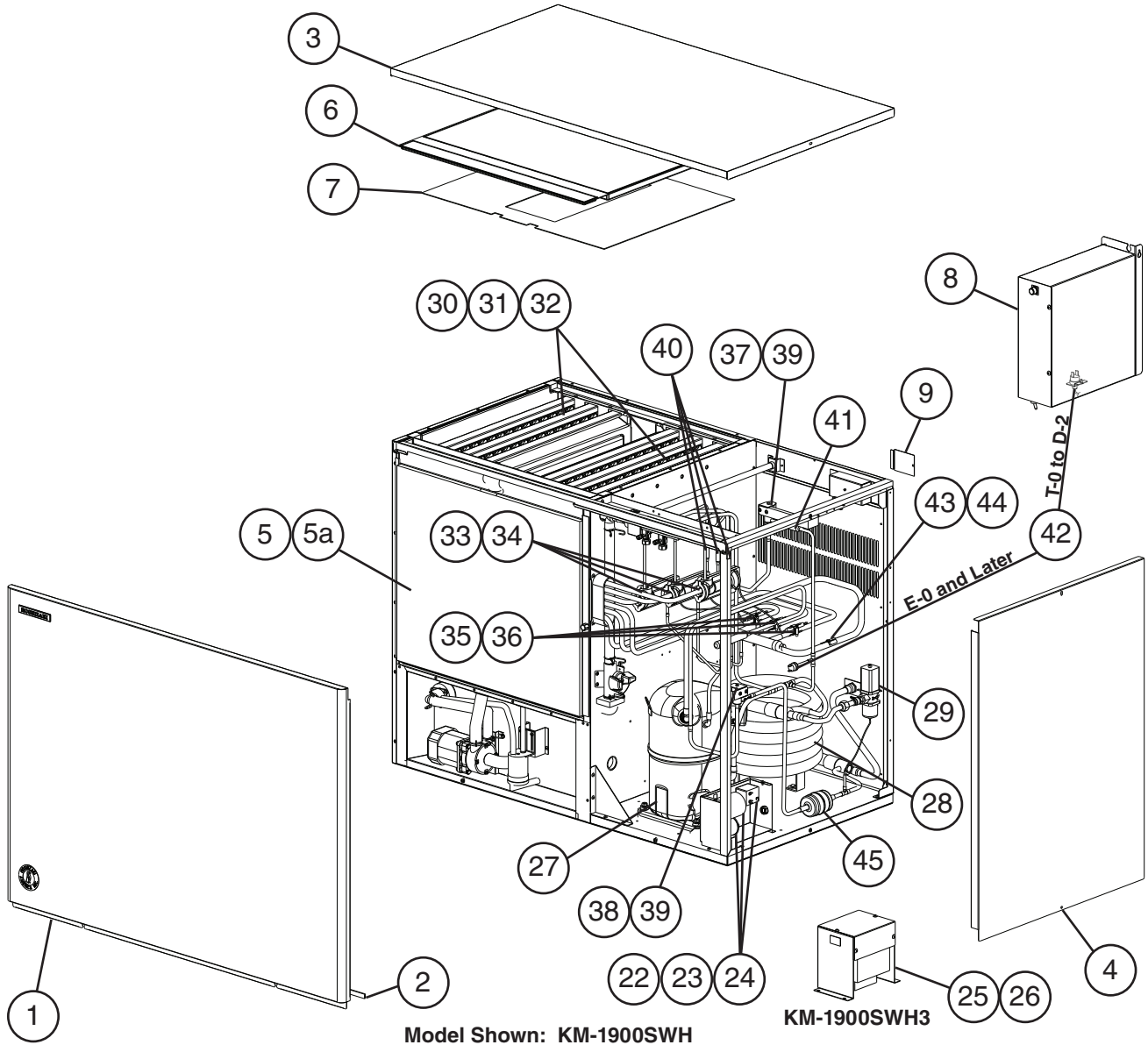
Title: A. Main Assembly & Refrigeration Circuit Model: KM-1900SAH/3, KM1900SAH350											
Index No.	Description	Material or Model Number	Part Number	Required Number							
				T-0 to D-1	D-2	E-0 to G-0					
Main Assembly											
1	Front Panel		3A1800G01	1	1	1					
2	Gasket	L=1219 mm	4A0808L02	1	1	1					
3	Top Panel		2A2255-01	1	1	1					
4	Right Side Panel		215381G02	1	1	1					
5	Front Insulation		326041G01	1	1	1					
5a	Thumbscrew		415949G12	1	1	1					
6	Top Insulation		324216G01	1	1	1					
7	Spacer		324321-01	1	1	1					
8	Control Box Cover		3A2386-01	1	1	1					
9	Junction Box Cover		433410-01	1	1	1					
10	Louver		1A0548-01	4	4	4					
10a	Push Retainer		4A2414-01	12	12	12					
11	Air Filter		2A2063G01	4	4	4					
12	Thermostatic Bin Control Bulb Holder	KM-1900SAH/3	3A3903-01	1	-						
		KM1900SAH350		1	1	1					
13	Thermostatic Bin Control Bulb Holder C	KM-1900SAH/3	216340G01	1	-						
		KM1900SAH350		1	1	1					
14	Thermostatic Bin Control Bulb Holder C	KM-1900SAH/3	325845G01	1	-						
		KM1900SAH350		1	1	1					
15	Thermostatic Bin Control Bulb Holder E	KM-1900SAH/3	439725-01	1	-						
		KM1900SAH350		1	1	1					
16	Thermostatic Bin Control Bulb Holder F	KM-1900SAH/3	328743-01	1	-						
		KM1900SAH350		1	1	1					
16a	Thumbscrew	KM-1900SAH/3	415949G12	2	-						
		KM1900SAH350		2	2	2					
17	Thermostatic Bin Control Bulb Holder G	KM-1900SAH/3	439726-01	1	-						
		KM1900SAH350		1	1	1					
18	Spacer	KM-1900SAH/3	439727-01	1	-						
		KM1900SAH350		1	1	1					
19	Capillary Ring	KM-1900SAH/3	425307-01	1	-						
		KM1900SAH350		1	1	1					
20	Silicone Hose	L=285 mm	7730I3812	1	1	1					
21	Thermostatic Bin Control Extension Bracket	KM-1900SAH/3	3A0408-01	1	-						
		KM1900SAH350		1	1	1					
22	Mechanical Bin Control	KM-1900SAH/3	2A4393G01		1	1					
22a	Thumbscrew		415949G12		2	2					
23	Mechanical Bin Control Mounting Bracket		3A5726-01		1	1					
23a	Thumbscrew		415949G12		2	2					
24	Start Capacitor	KM-1900SAH 189-227MFD, 330VAC	3A0076-12	1	1	1					
25	Run Capacitor	KM-1900SAH 35MFD, 440VAC	3A2005-12	1	1	1					
26	Start Relay	KM-1900SAH	4A1107-09	1	1	1					

Title: A. Main Assembly & Refrigeration Circuit Model: KM-1900SAH/3, KM1900SAH350												
Index No.	Description	Material or Model Number	Part Number	Required Number								
				T-0 to D-1	D-2	E-0 to G-0						
27	Main Transformer	KM-1900SAH3	4A0817-01	1	-							
			4A5695-01		1	1						
		KM1900SAH350	4A4729-01	1	1	1						
28	Voltage Tap Switch	KM-1900SAH3	4A1477-01	1	1	1						
Refrigeration Circuit												
29	Compressor	KM-1900SAH	4A4581-01	1	1	1						
			KM-1900SAH3	4A4582-01	1	1	1					
			KM1900SAH350	4A4732-01	1	1	1					
30	Condenser		2A1991-01	1	1	1						
31	Right or Left Evaporator Bank (each bank includes 3 of item 32)	HS-008	2A0416G01	2	2	2						
32	Evaporator Plate	S-0641	103317G02	6	6	6						
33	Separator Hook		324152-01	8	8	8						
34	Thermostatic Expansion Valve		4A1414-01	3	3	3						
35	Thermostatic Expansion Valve Cover		3A0944-01	3	3	3						
36	Thermostatic Expansion Valve Bulb Holder		3A0107-01	3	3	3						
37	Clamp		443461-02	3	3	3						
38	Hot Gas Valve Body		4A3978-01	1	1	1						
39	Liquid Line Valve Body		4A3276-01	1	1	1						
40	Valve Coil		4A3277-01	2	2	2						
41	Check Valve		4A1373-01	3	3	3						
42	Strainer		441569-02	1	1	1						
43	High-Pressure Switch		433441-07	1	1	-						
			463180-04			1						
44	Thermistor		429006-03	1	1	1						
45	Thermistor Holder		438247-01	1	1	1						
46	Fan Motor		4A3158-01	2	2	2						
46a	Self-Locking Nut		7N2110832	8	8	8						
47	Fan Motor Capacitor	5.0MFD, 250VAC	443192-02	2	2	2						
48	Fan Blade		4A0197-01	2	2	2						
49	Drier		4A2663-01	1	1	1						

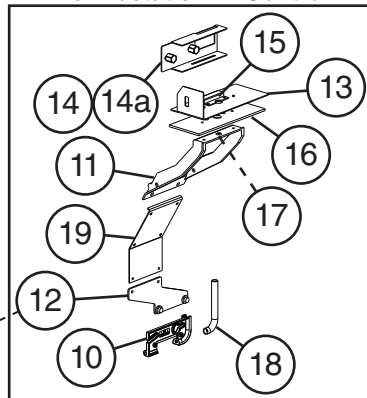
A. Main Assembly & Refrigeration Circuit

KM-1900SWH/3

T-0 to G-0

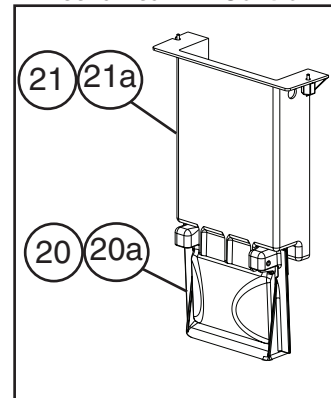


Thermostatic Bin Control



T-0 to D-1

Mechanical Bin Control



D-2 and Later

Item 12 is for use with Hoshizaki bins B-1300, B-1500, B-1650, and non-Hoshizaki bins.

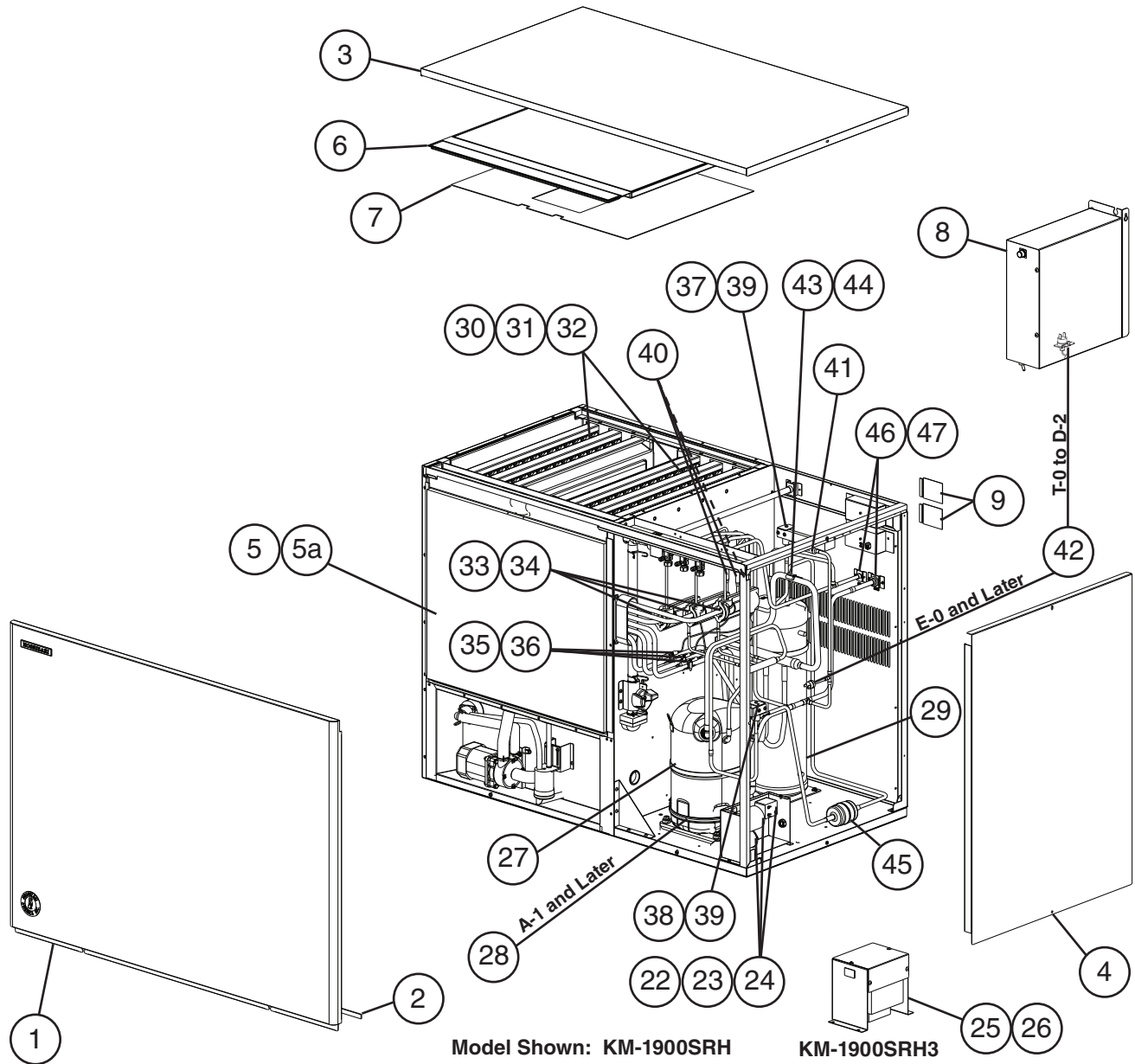
Title: A. Main Assembly & Refrigeration Circuit Model: KM-1900SWH/3												
Index No.	Description	Material or Model Number	Part Number	Required Number								
				T-0 to D-0	D-1	D-2	E-0 to G-0					
Main Assembly												
1	Front Panel		3A1838G01	1	1	1	1					
2	Gasket	L=1219 mm	4A0808L02	1	1	1	1					
3	Top Panel		2A2255-01	1	1	1	1					
4	Right Side Panel		215381G02	1	1	1	1					
5	Front Insulation		326041G01	1	1	1	1					
5a	Thumbscrew		415949G12	1	1	1	1					
6	Top Insulation		324216G01	1	1	1	1					
7	Spacer		324321-01	1	1	1	1					
8	Control Box Cover		3A2386-01	1	1	1	1					
9	Junction Box Cover		433410-01	1	1	1	1					
10	Thermostatic Bin Control Bulb Holder		3A3903-01	1	1	-						
11	Thermostatic Bin Control Bulb Holder C		216340G01	1	1	-						
12	Thermostatic Bin Control Bulb Holder C		325845G01	1	1	-						
13	Thermostatic Bin Control Bulb Holder E		439725-01	1	1	-						
14	Thermostatic Bin Control Bulb Holder F		328743-01	1	1	-						
14a	Thumbscrew		415949G12	2	2	-						
15	Thermostatic Bin Control Bulb Holder G		439726-01	1	1	-						
16	Spacer		439727-01	1	1	-						
17	Capillary Ring		425307-01	1	1	-						
18	Silicone Hose	L=285 mm	773013812	1	1	1	1					
19	Thermostatic Bin Control Extension Bracket		3A0408-01	1	1	-						
20	Mechanical Bin Control		2A4393G01			1	1					
20a	Thumbscrew		415949G12			2	2					
21	Mechanical Bin Control Mounting Bracket		3A5726-01			1	1					
21a	Thumbscrew		415949G12			2	2					
22	Start Capacitor	KM-1900SWH 189-227 MFD, 330VAC	3A0076-12	1	1	1	1					
23	Run Capacitor	KM-1900SWH 35MFD, 440VAC	3A2005-12	1	1	1	1					
24	Start Relay	KM-1900SWH	4A1107-09	1	1	1	1					
25	Main Transformer	KM-1900SWH3	4A0817-01	1	1	-						
			4A5695-01			1	1					
26	Voltage Tap Switch	KM-1900SWH3	4A1477-01	1	1	1	1					

Title: A. Main Assembly & Refrigeration Circuit Model: KM-1900SWH/3												
Index No.	Description	Material or Model Number	Part Number	Required Number								
				T-0 to D-0	D-1	D-2	E-0 to G-0					
Refrigeration Circuit												
27	Compressor	KM-1900SWH	4A4581-01	1	1	1	1					
		KM-1900SWH3	4A4582-01	1	1	1	1					
28	Condenser	HS-0164	2A2359G05	1	1	1	1					
		KM-1900SWH3	3A7324-01		1	1	1					
29	Water Regulating Valve		4A0911-07	1	1	1	1					
30	Right or Left Evaporator Bank (each bank includes 3 of item 31)	HS-008	2A0416G01	2	2	2	2					
31	Evaporator Plate	S-0641	103317G02	6	6	6	6					
32	Separator Hook		324152-01	8	8	8	8					
33	Thermostatic Expansion Valve		4A1414-01	3	3	3	3					
34	Thermostatic Expansion Valve Cover		3A0944-01	3	3	3	3					
35	Thermostatic Expansion Valve Bulb Holder		3A0107-01	3	3	3	3					
36	Clamp		443461-02	3	3	3	3					
37	Hot Gas Valve Body		4A3978-01	1	1	1	1					
38	Liquid Line Valve Body		4A3276-01	1	1	1	1					
39	Valve Coil		4A3277-01	2	2	2	2					
40	Check Valve		4A1373-01	3	3	3	3					
41	Strainer		441569-02	1	1	1	1					
42	High-Pressure Switch		433441-05	1	1	1	-					
				463180-05				1				
43	Thermistor	L=1050 mm	429006-03	1	1	1	1					
44	Thermistor Holder		438247-01	1	1	1	1					
45	Drier		4A2663-01	1	1	1	1					

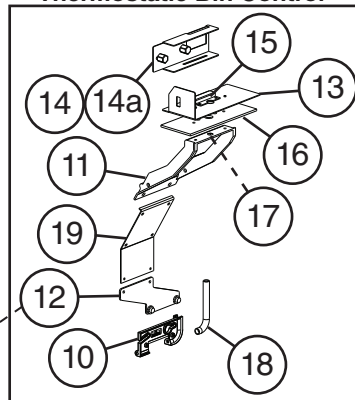
A. Main Assembly & Refrigeration Circuit

KM-1900SRH/3

T-0 to G-0

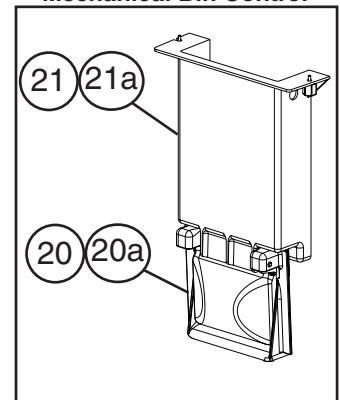


Thermostatic Bin Control



T-0 to D-1

Mechanical Bin Control



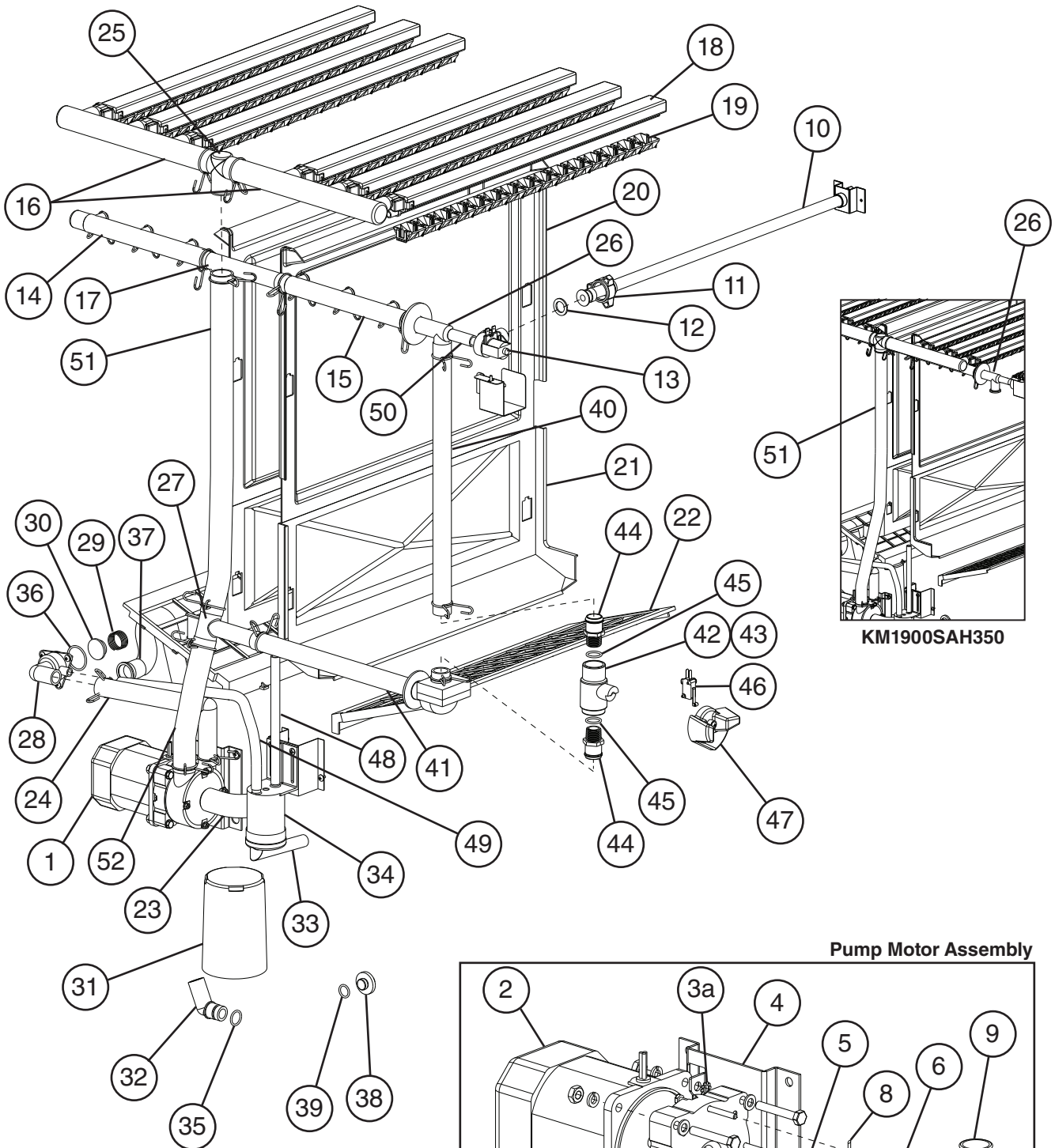
D-2 and Later

Item 12 is for use with Hoshizaki bins B-1300, B-1500, B-1650, and non-Hoshizaki bins.

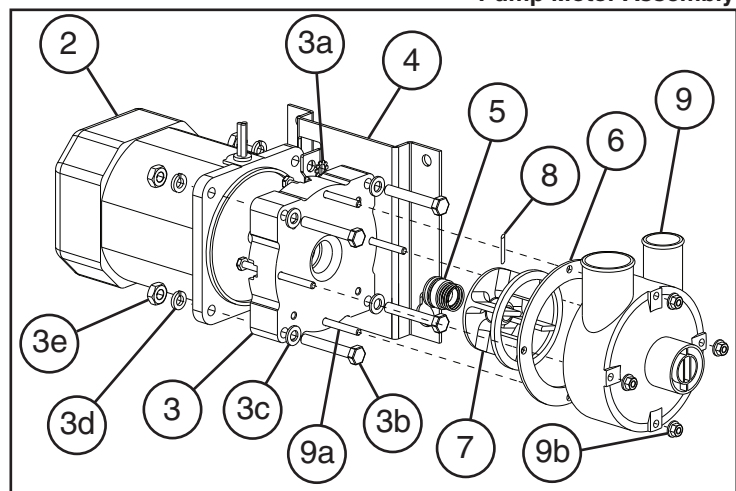
Title: A. Main Assembly & Refrigeration Circuit Model: KM-1900SRH/3												
Index No.	Description	Material or Model Number	Part Number	Required Number								
				T-0 to A-0	A-1 to D-1	D-2	E-0 to G-0					
Main Assembly												
1	Front Panel		3A1838G01	1	1	1	1					
2	Gasket	L=1219 mm	4A0808L02	1	1	1	1					
3	Top Panel		2A2255-01	1	1	1	1					
4	Right Side Panel		215381G02	1	1	1	1					
5	Front Insulation		326041G01	1	1	1	1					
5a	Thumbscrew		415949G12	1	1	1	1					
6	Top Insulation		324216G01	1	1	1	1					
7	Spacer		439727-01	1	1	1	1					
8	Control Box Cover		3A2386-01	1	1	1	1					
9	Junction Box Cover		433410-01	2	2	2	2					
10	Thermostatic Bin Control Bulb Holder		3A3903-01	1	1	-						
11	Thermostatic Bin Control Bulb Holder C		216340G01	1	1	-						
12	Thermostatic Bin Control Bulb Holder C	Z Bracket	325845G01	1	1	-						
13	Thermostatic Bin Control Bulb Holder E		439725-01	1	1	-						
14	Thermostatic Bin Control Bulb Holder F		328743-01	1	1	-						
14a	Thumbscrew		415949G12	2	2	-						
15	Thermostatic Bin Control Bulb Holder G		439726-01	1	1	-						
16	Spacer		439727-01	1	1	-						
17	Capillary Ring		425307-01	1	1	-						
18	Silicone Hose	L=285 mm	773013812	1	1	1	1					
19	Thermostatic Bin Control Extension Bracket		3A0408-01	1	1	-						
20	Mechanical Bin Control		2A4393G01			1	1					
20a	Thumbscrew		415949G12			2	2					
21	Mechanical Bin Control Mounting Bracket		3A5726-01			1	1					
21a	Thumbscrew		415949G12			2	2					
22	Start Capacitor	KM-1900SRH 189-227MFD, 330VAC	3A0076-12	1	1	1	1					
23	Run Capacitor	KM-1900SRH 35MFD, 440VAC	3A2005-12	1	1	1	1					
24	Start Relay	KM-1900SRH	4A1107-09	1	1	1	1					
25	Main Transformer	KM-1900SRH3	4A0817-01	1	1	-						
			4A5695-01			1	1					
26	Voltage Tap Switch	KM-1900SRH3	4A1477-01	1	1	1	1					

Title: A. Main Assembly & Refrigeration Circuit Model: KM-1900SRH/3													
Index No.	Description	Material or Model Number	Part Number	Required Number									
				T-0 to A-0	A-1 to D-1	D-2	E-0 to G-0						
Refrigeration Circuit													
27	Compressor (A-1 and later utilize external crankcase heater - item 26)	KM-1900SRH	4A4581-02	1	-								
			4A4581-01		1	1	1						
		KM-1900SRH3	4A4582-02	1	-								
			4A4582-01		1	1	1						
28	Crankcase Heater		4A5397-02		1	1	1						
29	Receiver		440366-01	1	1	1	1						
30	Right or Left Evaporator Bank (each bank includes 3 of item 31)	HS-008	2A0416G01	2	2	2	2						
31	Evaporator Plate	S-0641	103317G02	6	6	6	6						
32	Separator Hook		324152-01	8	8	8	8						
33	Thermostatic Expansion Valve		4A1414-01	3	3	3	3						
34	Thermostatic Expansion Valve Cover		3A0944-01	3	3	3	3						
35	Thermostatic Expansion Valve Bulb Holder		3A0107-01	3	3	3	3						
36	Clamp		443461-02	3	3	3	3						
37	Hot Gas Valve Body		4A3978-01	1	1	1	1						
38	Liquid Line Valve Body		4A3276-01	1	1	1	1						
39	Valve Coil		4A3277-01	2	2	2	2						
40	Check Valve		4A1373-01	3	3	3	3						
41	Strainer		441569-02	1	1	1	1						
42	High-Pressure Switch		433441-07	1	1	1	-						
			463180-04				1						
43	Thermistor	L=1050 mm	429006-03	1	1	1	1						
44	Thermistor Holder		438247-01	1	1	1	1						
45	Drier		4A2663-01	1	1	1	1						
46	Liquid Line Coupling		433751G01	1	1	1	1						
47	Discharge Line Coupling		434136G01	1	1	1	1						

B. Water Circuit
KM-1900S_H/3, KM1900SAH350
 T-0 to G-0



Pump Motor Assembly

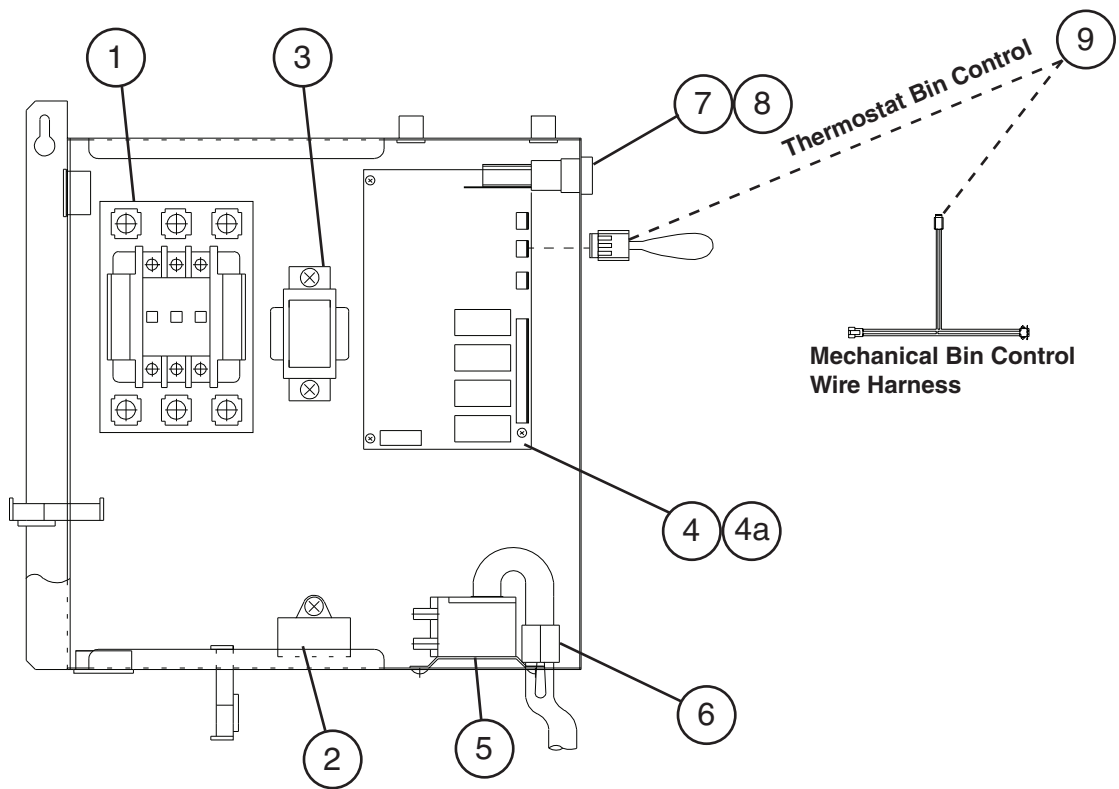


Title: B. Water Circuit Model: KM-1900S_H/3, KM1900SAH350

Index No.	Description	Material or Model Number	Part Number	Required Number									
				T-0 to V-1 (L)	V-1 (M) to G-0								
1	Pump Motor Assembly (includes items 2 through 9b)	KM-1900SAH/3 KM-1900SWH/3 KM-1900SRH/3 S-0730	215692A03	1	1								
		KM1900SAH350 S-0862	215692A04	1	1								
2	Pump Motor		2U0106-01	1	1								
3	Pump Flange		215662-01	1	1								
3a	Tooth Washer		7R22-0600	2	2								
3b	Hex Head Bolt	6x40	7B02-0640	4	4								
3c	Flat Washer		7W22-0600	4	4								
3d	Split Lock Washer		7L22-0600	4	4								
3e	Hex Nut		7N12-0600	4	4								
4	Pump Motor Bracket		323904-01	1	1								
5	Mechanical Seal		4A3820-01	1	1								
6	Packing		428547-01	1	1								
7	Impeller	KM-1900SAH/3 KM-1900SWH/3 KM-1900SRH/3	436584-01	1	1								
		KM1900SAH350	334706G01	1	1								
8	Pin		4A0648-01	1	1								
9	Pump Housing		213687-01	1	1								
9a	Hex Head Bolt	4x55	7B02-0455	4	4								
9b	Hex Flange Nut		7J02-0400	4	4								
10	Water Supply Pipe	HS-0242	4A5216G04	1	1								
11	Water Supply Pipe Fitting Nut		468616-01	1	1								
12	Rubber Gasket		413854-03	1	1								
13	Inlet Water Valve		4A5251-04	1	1								
14	Distributor Hose A		325738-01	1	1								
15	Distributor Hose B		325738-02	1	1								
16	Distributor Hose C		325739-01	2	2								
17	Joint Pipe		439297-01	1	1								
18	Spray Tube		437049G01	6	6								
19	Spray Guide		208586-01	18	18								
20	Separator A		215046-01	2	2								
21	Separator B		2A0100-01	2	2								
22	Cube Guide		214243-01	2	2								
23	Hose A		435091-01	1	1								
24	Hose B		325867-01	1	1								
25	Distributor A		439266-01	1	1								
26	Distributor B (Tee)	KM-1900SAH/3 KM-1900SWH/3 KM-1900SRH/3	439239-01	1	1								
		KM1900SAH350	4A1175G01	1	1								
27	Distributor C	KM-1900SAH/3 KM-1900SWH/3 KM-1900SRH/3	439238-01	1	1								
28	Drain Valve Housing		323613-01	1	1								

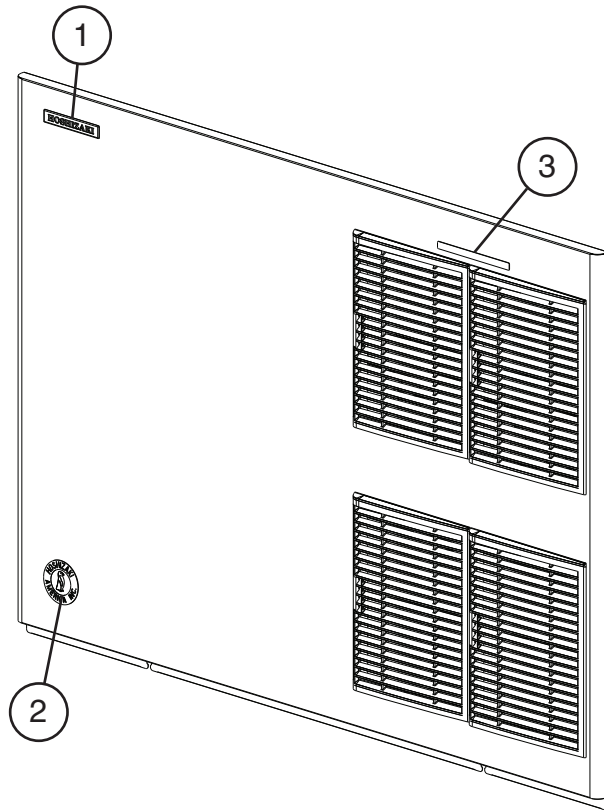
Title: B. Water Circuit Model: KM-1900S_H/3, KM1900SAH350											
Index No.	Description	Material or Model Number	Part Number	Required Number							
				T-0 to V-1 (L)	V-1 (M) to G-0						
29	Spring		322110-01	1	1						
30	Valve Seat		433705-01	1	1						
31	Overflow Cap		325866-01	1	1						
32	Overflow Joint		323923-02	1	1						
33	Float Switch Connector		426799-04	1	1						
34	Float Switch		4A3624-01	1	1						
35	O-Ring		7611-P018	1	1						
36	O-Ring		7611-G035	1	1						
37	Drain Hose		325869-01	1	1						
38	Drain Plug		309246-01	1	1						
39	O-Ring		7611-P015	1	1						
40	Joint Hose	KM-1900SAH/3	439309-01	1	1						
41	Bypass Hose	KM-1900SWH/3 KM-1900SRH/3	439237-02	1	1						
42	Control Valve Ball Valve Assembly (includes items 43 through 45)	KM-1900SAH/3 KM-1900SWH/3 KM-1900SRH/3 S-0761	442137A01	1	1						
43	Control Valve Ball Valve		439293-01	1	1						
44	Control Valve Male Adaptor		325826-01	2	2						
45	Control Valve O-Ring		7611-P018	2	Replaced with Thread Sealant Tape						
46	Control Valve Microswitch	KM-1900SAH/3	4A2546-01	1	1						
47	Control Valve Handle	KM-1900SWH/3 KM-1900SRH/3	215383-01	1	1						
48	Silicone Hose	L=190 mm	7730I3812	1	1						
49	Silicone Hose	L=430 mm	7730I3896	1	1						
50	Vinyl Hose	L=40 mm	7716-1216	1	1						
51	Vinyl Hose	KM-1900SAH/3 KM-1900SWH/3 KM-1900SRH/3 L=550 mm	7716-2732	1	1						
		KM1900SAH350 L=820 mm	7716-2732	1	1						
52	Vinyl Hose	KM-1900SAH/3 KM-1900SWH/3 KM-1900SRH/3 L=230 mm	7716-2732	1	1						
Hose Clamps											
	Hose Clamp (25 mm)	KM-1900SAH/3 KM-1900SWH/3 KM-1900SRH/3	427443-03	9	9						
		KM1900SAH350		5	5						
	Hose Clamp (13.5 mm)		427443-07	6	6						
	Hose Clamp (32 mm)	KM-1900SAH/3 KM-1900SWH/3 KM-1900SRH/3	427443-09	6	6						
KM1900SAH350		4		4							

C. Control Box Assembly
KM-1900S_H/3, KM1900SAH350
T-0 to G-0



Title: C. Control Box Assembly Model: KM-1900S_H/3, KM1900SAH350											
Index No.	Description	Material or Model Number	Part Number	Required Number							
				T-0 to D-0	D-1	D-2 to G-0					
1	Magnetic Contactor	KM-1900SAH/3 KM1900SAH350 KM-1900SWH/3	4A0794-02	1	1	1					
		KM-1900SRH/3	4A0794-01	1	1	1					
2	Pump Motor Capacitor	KM-1900SAH/3 KM-1900SWH/3 KM-1900SRH/3 10MFD, 250VAC	443192-01	1	1	1					
		KM1900SAH350 15MFD, 240VAC	439705-01	1	1	1					
3	Control Transformer		3A0172-01	1	1	1					
4	"E" Control Board	KM-1900SAH/3 KM-1900SWH/3 KM-1900SRH/3	2A1410-01	1	-						
		KM1900SAH350		1	1	1					
	"G" Control Board	KM-1900SAH/3 KM-1900SWH/3 KM-1900SRH/3	2A3792-01		1	1					
4a	Control Board Support		4A0336-03	4	4	4					
5	Bin Control Thermostat	KM-1900SAH/3 KM-1900SWH/3 KM-1900SRH/3	4A2879-02	1	1	-					
		KM1900SAH350		1	1	1					
6	Toggle Switch (control)		443119-01	1	1	1					
7	Fuse Holder		4A5443-01	1	1	1					
8	Fuse	AGC-10A, 250VAC	4A0893-07	1	1	1					
9	K-4 Jumper	KM-1900SAH/3 KM-1900SWH/3 KM-1900SRH/3	4A4883G01	1	1	-					
	Wire Harness	KM-1900SAH/3 KM-1900SWH/3 KM-1900SRH/3	4A5197G01			1					

D. Accessories & Labels
KM-1900S_H/3, KM1900SAH350
 T-0 to G-0



Title: D. Accessories & Labels Model: KM-1900S_H/3, KM1900SAH350										
Index No.	Description	Material or Model Number	Part Number	Required Number						
				T-0 to D-1	D-2 to G-0					
1	Hoshizaki Emblem Label		4A0560-01	1	1					
2	Penguin Label		4A0526-01	1	1					
3	Air Filter Label	KM-1900SAH/3 KM1900SAH350	426177-01	1	-					
4	Universal Brace		4A0363-01	2	2					
4a	Hex Bolt	5x12, SS	7B02-0512	4	4					