



HOSHIZAKI

Parts List

Stackable Crescent Cuber

Models

KM-160ISAJ/3

KM-160ISWJ/3

KM-160ISRJ/3



hoshizakiamerica.com

Number: 71375
Issued: 5-15-2017
Revised: 3-16-2018

CONTENTS

Auxiliary Codes.....	3
Note About Ordering Parts	3
A. Ice Cuber Assembly & Refrigeration Circuit	4
KM-1601SAJ/3.....	4
KM-1601SWJ/3.....	6
KM-1601SRJ/3	8
B. Water Circuit	10
C. Control Box Assembly	13
D. Accessories and Labels.....	14

Auxiliary Codes

KM-1601SAJ	F-0 October 2016 G-0 June 2017 G-1 September 2017 G-2 November 2017 H-0 January 2018	KM-1601SAJ3	F-0 October 2016 G-0 June 2017 G-2 November 2017 H-0 January 2018
KM-1601SWJ	F-0 October 2016 G-0 June 2017 G-1 September 2017 H-0 January 2018	KM-1601SWJ3	F-0 October 2016 G-0 June 2017 G-1 September 2017 H-0 January 2018
KM-1601SRJ	F-0 October 2016 G-0 June 2017 G-1 September 2017 H-0 January 2018	KM-1601SRJ3	F-0 October 2016 G-0 June 2017 G-1 December 2017 H-0 January 2018

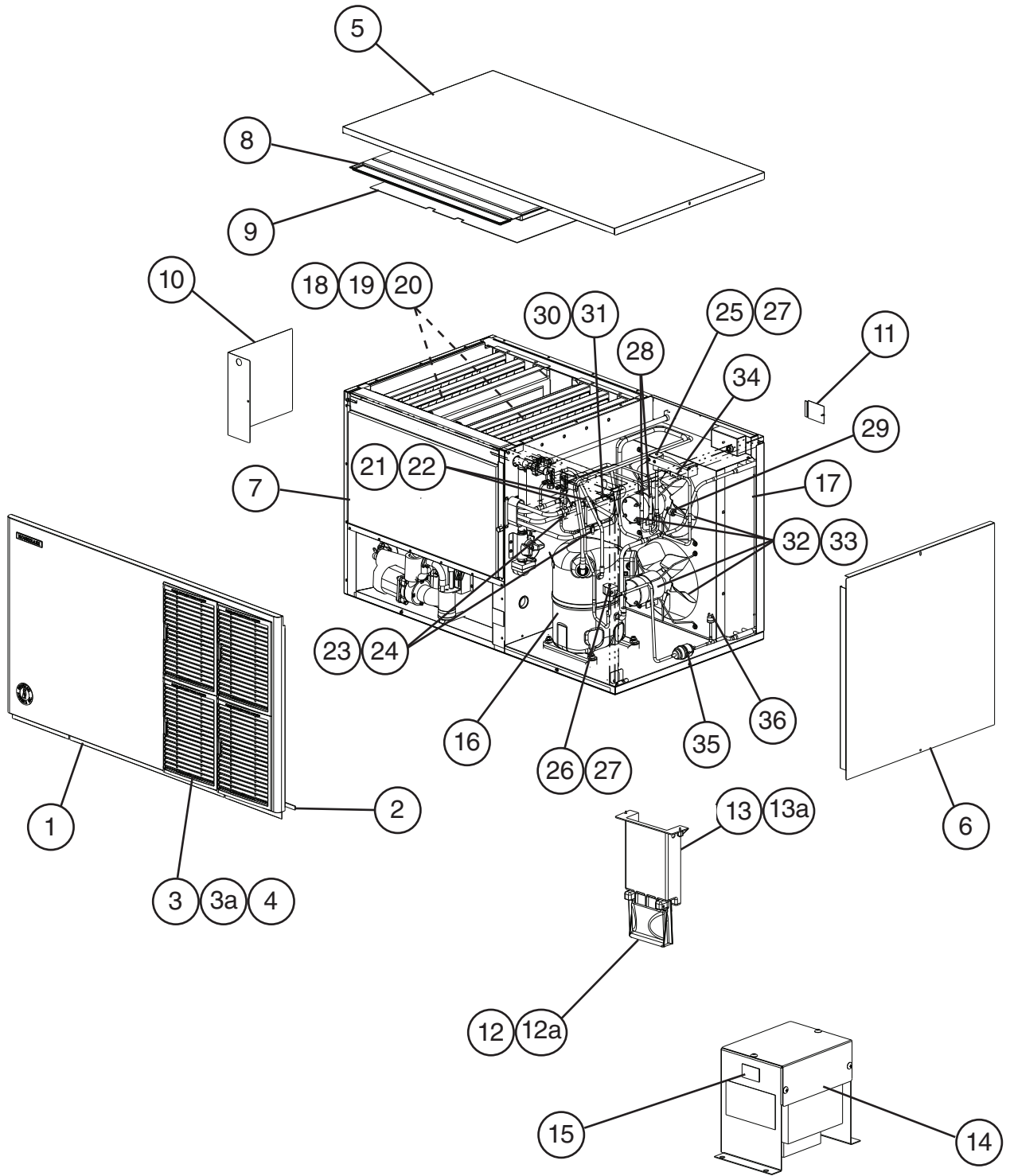
Auxiliary Code Breakdown

The auxiliary code is the first two characters in the serial number. The first character indicates the year. Years progress or regress in alphabetical order. The series runs from "A" through "V" and the letters "I" and "O" are skipped. The second character indicates significant part changes within a year. Base is "0" and this number advances for each change. In cases where there is a letter in parentheses, this designates the month. This is the last character in the serial number. The series runs from "(A)" through "(M)" and the letter "(I)" is skipped. This designation is only included when identifying a parts change within an auxiliary code.

Note About Ordering Parts

Most assemblies cannot be ordered as complete units; parts in the assemblies generally must be ordered separately.

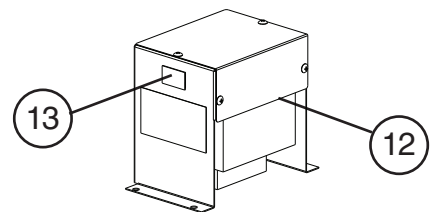
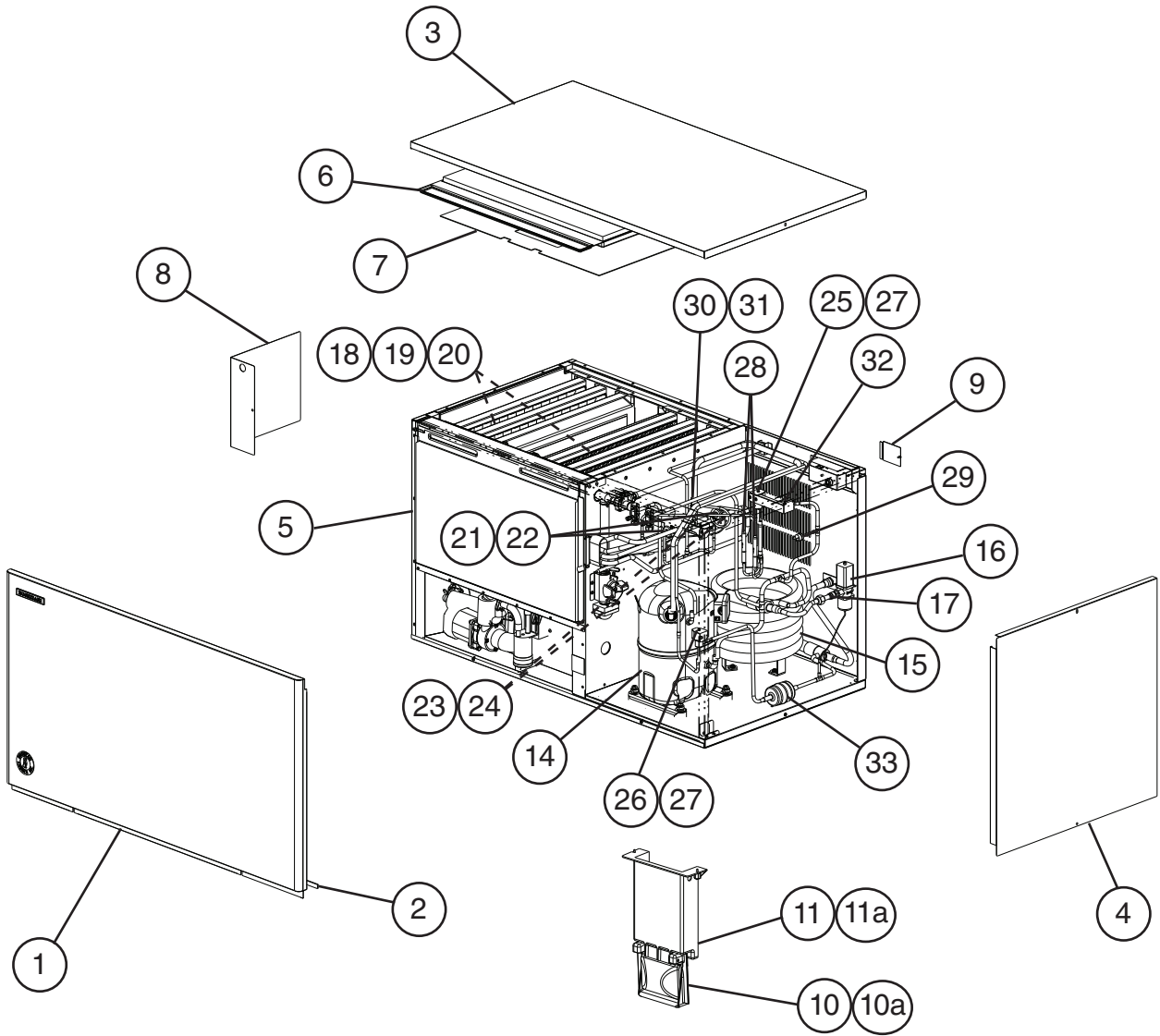
A. Ice Cuber Assembly & Refrigeration Circuit
KM-1601SAJ/3
 F-0, H-0



Main Transformer Box Assembly
KM-1601SAJ3

Title: A. Ice Cuber Assembly & Refrigeration Circuit Model: KM-1601SAJ/3												
Index No.	Description	Material or Model Number	Part Number	Required Number								
				F-0								
Ice Cuber Assembly												
1	Front Panel		2A2224-02	1								
2	Gasket		4A0808L02	1								
3	Louver		2A6649A02	4								
3a	Push Retainer		4A2414-01	12								
4	Air Filter		2A2063G01	4								
5	Top Panel		2A2255-01	1								
6	Right Side Panel		2A2226G01	1								
7	Front Insulation		324215G01	1								
8	Top Insulation		324216G01	1								
9	Spacer		324321-01	1								
10	Control Box Cover		3A2386-01	1								
11	Junction Box Cover		433410-01	1								
12	Bin Control		2A4393G01	1								
12a	Thumbscrew		415949G12	2								
13	Bin Control Extension Bracket		3A5726-01	1								
13a	Thumbscrew		415949G12	3								
14	Main Transformer	KM-1601SAJ3	3A1102A04	1								
15	Voltage Tap Switch	KM-1601SAJ3	4A1477-01	1								
Refrigeration Circuit												
16	Compressor	KM-1601SAJ	4A4581-01	1								
		KM-1601SAJ3	4A4582-01	1								
17	Condenser		2A7966-01	1								
18	Evaporator Bank (Right or Left) (Includes 3 of item 19 and 4 of item 20)		SP-5262	2								
19	Evaporator		2A7810G01	3								
20	Separator Hook		324152-01	8								
21	Thermostatic Expansion Valve		4A5847-01	2								
22	Thermostatic Expansion Valve Cover		3A0944-01	2								
23	Thermostatic Expansion Valve Bulb Holder		3A0107-01	2								
24	Clamp		443461-02	2								
25	Hot Gas Valve Body		4A3978-01	1								
26	Liquid Line Valve Body		4A3276-01	1								
27	Valve Coil		4A3277-01	2								
28	Check Valve		4A1373-01	2								
29	High-Pressure Switch		463180-01	1								
30	Thermistor		429006-03	1								
31	Thermistor Holder		427430-01	1								
32	Fan Motor		4A6115-01	2								
33	Fan Blade		4A3959-01	2								
34	Strainer		441569-02	1								
35	Drier		4A1113-01	1								
36	Fan Speed Pressure Switch		4A5918-01	1								

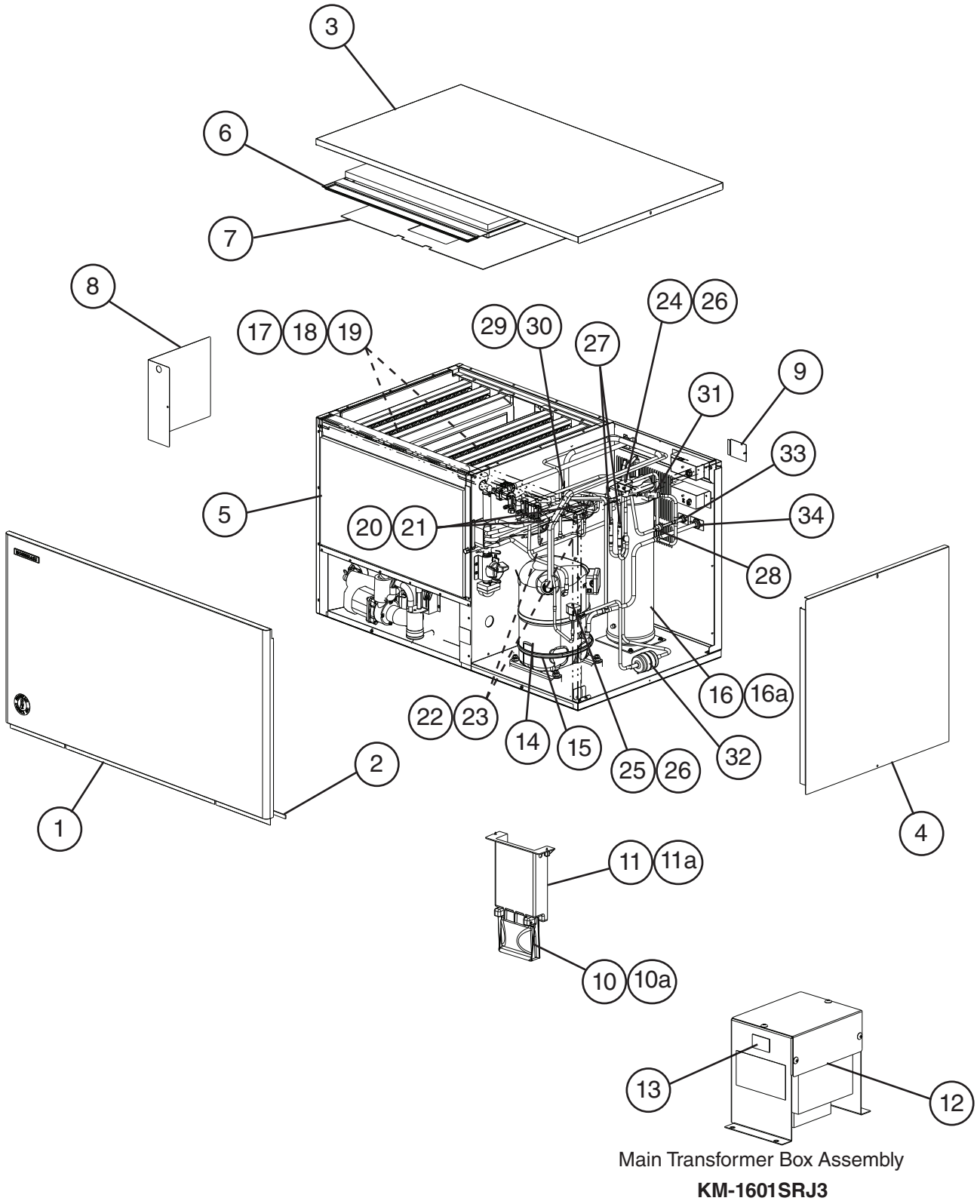
A. Ice Cuber Assembly & Refrigeration Circuit
KM-1601SWJ/3
 F-0, H-0



Main Transformer Box Assembly
KM-1601SWJ3

Title: A. Ice Cuber Assembly & Refrigeration Circuit Model: KM-1601SWJ/3												
Index No.	Description	Material or Model Number	Part Number	Required Number								
				F-0	H-0							
Ice Cuber Assembly												
1	Front Panel		3A1969G01	1								
2	Gasket		4A0808L02	1								
3	Top Panel		2A2255-01	1								
4	Right Side Panel		2A5883G03	1								
5	Front Insulation		323977-01	1								
6	Top Insulation		324216G01	1								
7	Spacer		324321-01	1								
8	Control Box Cover		3A2386-01	1								
9	Junction Box Cover		433410-01	1								
10	Bin Control		2A4393G01	1								
10a	Thumbscrew		415949G12	2								
11	Bin Control Extension Bracket		3A5726-01	1								
11a	Thumbscrew		415949G12	3								
12	Main Transformer	KM-1601SWJ3	3A1102A04	1								
13	Voltage Tap Switch	KM-1601SWJ3	4A1477-01	1								
Refrigeration Circuit												
14	Compressor	KM-1601SWJ	4A4581-01	1								
		KM-1601SWJ3	4A4582-01	1								
15	Condenser		3A7324-01	1								
16	Water Regulating Valve		4A0911-07	1								
17	Male Connector		4A01087-01	1								
18	Evaporator Bank (Right or Left) (Includes 3 of item 18 and 4 of item 19)		SP-5262	2								
19	Evaporator		2A7810G01	3								
20	Separator Hook		324152-01	8								
21	Thermostatic Expansion Valve		4A5847-01	2								
22	Thermostatic Expansion Valve Cover		3A0944-01	2								
23	Thermostatic Expansion Valve Bulb Holder		3A0107-01	2								
24	Clamp		443461-02	2								
25	Hot Gas Valve Body		4A3978-01	1								
26	Liquid Line Valve Body		4A3276-01	1								
27	Valve Coil		4A3277-01	2								
28	Check Valve		4A1373-01	2								
29	High-Pressure Switch		463180-05	1								
30	Thermistor		429006-03	1								
31	Thermistor Holder		438247-01	1								
32	Strainer		441569-02	1								
33	Drier		4A2663-01	1								

A. Ice Cuber Assembly & Refrigeration Circuit
KM-1601SRJ/3
 F-0, H-0

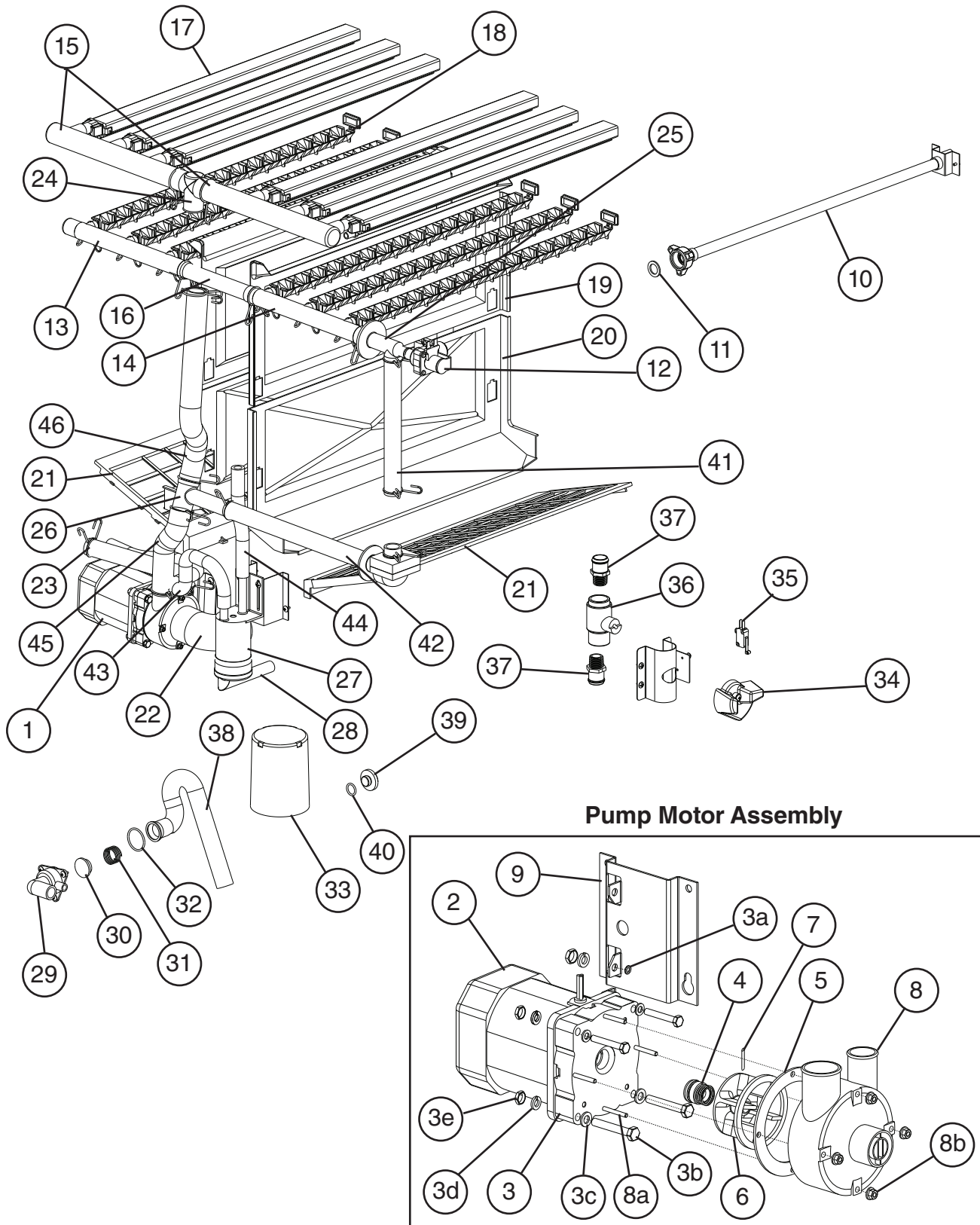


Title: A. Ice Cuber Assembly & Refrigeration Circuit Model: KM-1601SRJ/3												
Index No.	Description	Material or Model Number	Part Number	Required Number								
				F-0								H-0
Ice Cuber Assembly												
1	Front Panel		3A1969G01	1								
2	Gasket		4A0808L02	1								
3	Top Panel		2A2255-01	1								
4	Right Side Panel		2A2226G01	1								
5	Front Insulation		324215G01	1								
6	Top Insulation		324216G01	1								
7	Spacer		324321-01	1								
8	Control Box Cover		3A2386-01	1								
9	Junction Box Cover		433410-01	2								
10	Bin Control		2A4393G01	1								
10a	Thumbscrew		415949G12	2								
11	Bin Control Extension Bracket		3A5726-01	1								
11a	Thumbscrew		415949G12	3								
12	Main Transformer	KM-1601SRJ3	3A1102A04	1								
13	Voltage Tap Switch	KM-1601SRJ3	4A1477-01	1								
Refrigeration Circuit												
14	Compressor	KM-1601SRJ	4A4581-01	1								
		KM-1601SRJ3	4A4582-01	1								
15	Crankcase Heater		4A5397-02	1								
16	Receiver		440366-01	1								
16a	Hex Bolt	5x10	7B0130510									
17	Evaporator Bank (Right or Left) (Includes 3 of item 18 and 4 of item 19)		SP-5262	2								
18	Evaporator		2A7810G01	3								
19	Separator Hook		324152-01	8								
20	Thermostatic Expansion Valve		4A5847-01	2								
21	Thermostatic Expansion Valve Cover		3A0944-01	2								
22	Thermostatic Expansion Valve Bulb Holder		3A0107-01	2								
23	Clamp		443461-02	2								
24	Hot Gas Valve Body		4A3978-01	1								
25	Liquid Line Valve Body		4A3276-01	1								
26	Valve Coil		4A3277-01	2								
27	Check Valve		4A2054-01	2								
28	High-Pressure Switch		463180-04	1								
29	Thermistor		429006-03	1								
30	Thermistor Holder		438247-01	1								
31	Strainer		441569-02	1								
32	Drier		4A2663-01	1								
33	Liquid Line Coupling		426554-01	1								
34	Discharge Line Coupling		434072-01	1								

B. Water Circuit

KM-1601SAJ/3, KM-1601SWJ/3, KM-1601SRJ/3

F-0, H-0



Title: B. Water Circuit Model: KM-1601SAJ/3, KM-1601SWJ/3, KM-1601SRJ/3

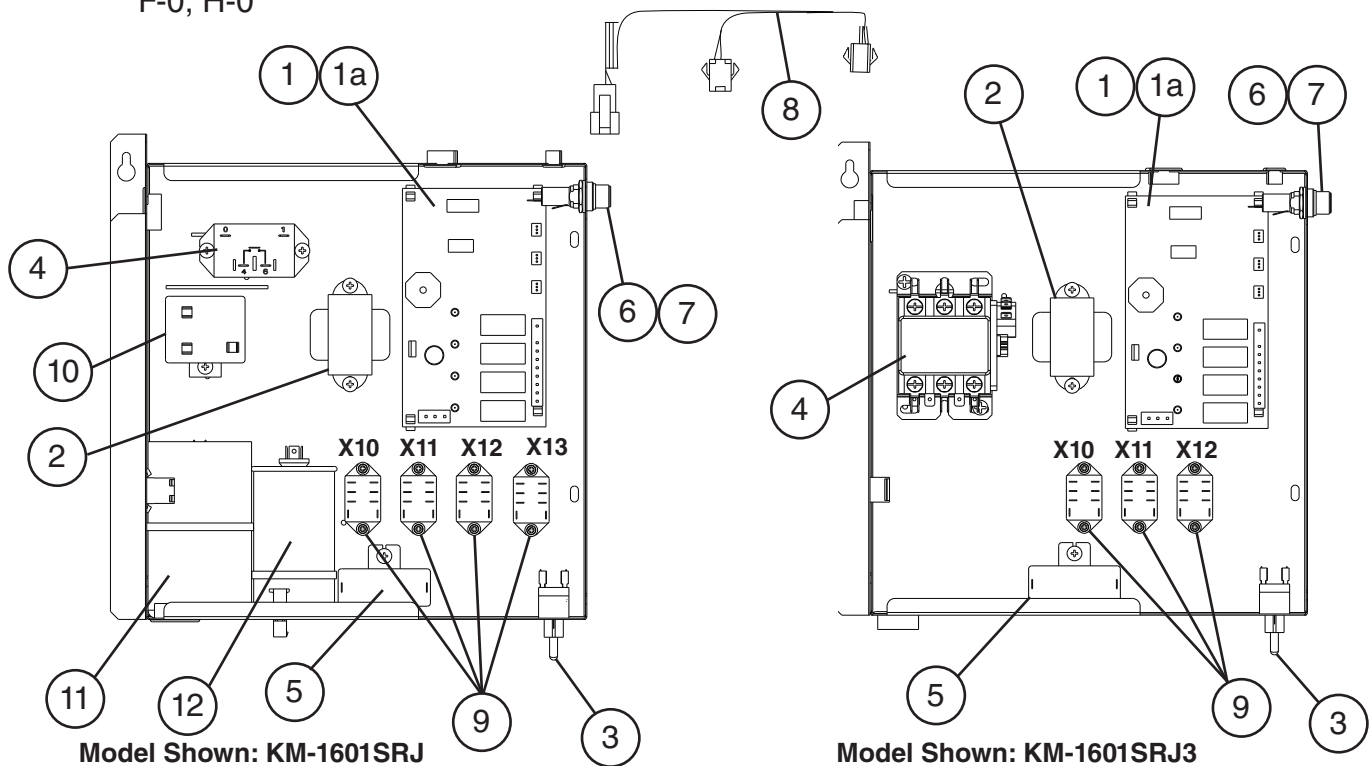
Index No.	Description	Material or Model Number	Part Number	Required Number																
				F-0	H-0															
1	Pump Motor Assembly (includes items 2 through 9)	S-0730	215692A03	1																
2	Pump Motor		2U0106-01	1																
3	Pump Flange		215662-01	1																
3a	Tooth Washer		7R22-0600	2																
3b	Hex Head Bolt	6x40	7B02-0640	4																
3c	Flat Washer		7W22-0600	4																
3d	Split Lock Washer		7L22-0600	4																
3e	Hex Nut		7N12-0600	4																
4	Mechanical Seal		4A3820-01	1																
5	Packing		428547-01	1																
6	Impeller		436584-01	1																
7	Pin		4A0648-01	1																
8	Pump Housing		213687-01	1																
8a	Hex Head Bolt	4x55	7B02-0455	4																
8b	Hex Flange Nut		7J02-0400	4																
9	Pump Motor Bracket		323904-01	1																
10	Water Supply Pipe		4A5216G04	1																
11	Rubber Gasket		413854-03	1																
12	Inlet Water Valve		3U0111-01	1																
13	Distributor Hose A		325738-01	1																
14	Distributor Hose B		325738-02	1																
15	Distributor Hose C		325739-01	2																
16	Joint Pipe		439297-01	1																
17	Spray Tube		437049G01	6																
18	Spray Guide		2A4282-02	6																
19	Separator A		213622-01	2																
20	Separator B		2A0100-01	2																
21	Cube Guide		214243-01	2																
22	Hose A		435091-01	1																
23	Hose B		436599-01	1																
24	Distributor (tee)		439266-01	1																
25	Distributor B (tee)		439239-01	1																
26	Distributor C (tee)		439238-01	1																
27	Float Switch		4A3624-01	1																
28	Float Switch Connector		426799-04	1																
29	Drain Valve Housing		323613-01	1																
30	Drain Valve Seat		433705-01	1																
31	Drain Valve Spring		322110-01	1																
32	Drain Valve O-Ring		7611-G035	1																
33	Overflow Cap		323978-01	1																
34	Cleaning Valve Handle		215383-01	1																
35	Cleaning Valve Microswitch		4A2546-01	1																
36	Cleaning Valve Ball Valve		439293-01	1																
37	Cleaning Valve Male Adaptor		325826-01	2																
38	Drain Hose		324757-01	1																
39	Drain Plug		309246-01	1																

Title: B. Water Circuit Model: KM-1601SAJ/3, KM-1601SWJ/3, KM-1601SRJ/3												
Index No.	Description	Material or Model Number	Part Number	Required Number								
				F-0 H-0								
40	Drain Plug O-Ring		7611-P015	1								
41	Joint Hose		439309-02	1								
42	Bypass Hose		439237-02	1								
43	Silicone Hose	L=390 mm	7730I3896	1								
44	Silicone Hose	L=140 mm	7730I3896	1								
45	Vinyl Hose	L=170 mm	7716-2732	1								
46	Vinyl Hose	L=230 mm	7716-2732	1								
Hose Clamps												
	Hose Clamp	13.5 mm	427443-07	6								
	Hose Clamp	25 mm	427443-03	9								
	Hose Clamp	32 mm	427443-09	6								

C. Control Box Assembly

KM-1601SAJ/3, KM-1601SWJ/3, KM-1601SRJ/3

F-0, H-0



Model Shown: KM-1601SRJ

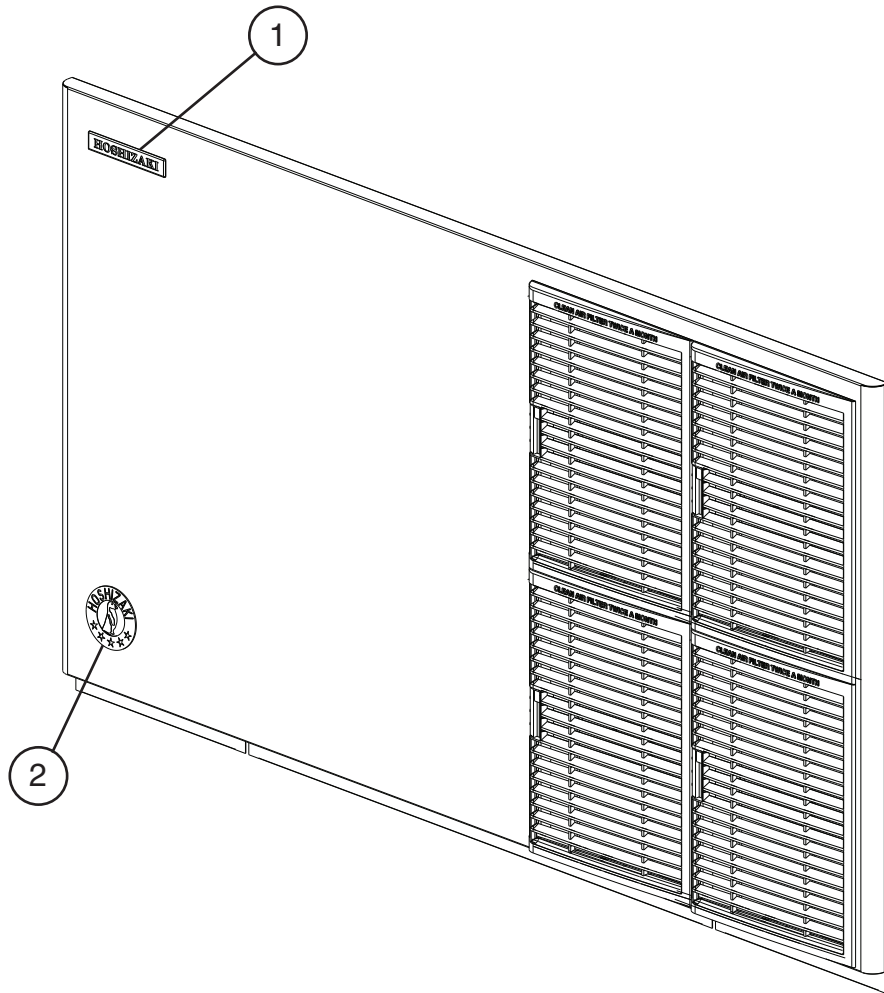
Model Shown: KM-1601SRJ3

Title: C. Control Box Assembly Model: KM-1601SAJ, KM-1601SWJ, KM-1601SRJ																				
Index No.	Description	Material or Model Number	Part Number	Required Number																
				F-0	H-0															
1	Control Board		2A7664-01	1																
1a	Control Board Support		4A0336-03	4																
2	Control Transformer		3A0172-01	1																
3	Control Switch		443119-01	1																
4	Compressor Relay	KM-1601S_J	4A3140-01	1																
	Magnetic Contactor	KM-1601SAJ3	4A0794-02	1																
		KM-1601SRJ3	4A0794-01	1																
5	Pump Motor Capacitor	15MFD, 250VAC	439705-01	1																
6	Fuse Holder		4A5443-01	1																
7	Fuse	10A, 250VAC	4A0893-07	1																
8	Bin Control Wire Harness		4A5197G01	1																
9	Relay X10 - Pump Direction Relay X11 - X10 Control Relay X12 - Anti-Slush Control Relay	All Models	406132-07	3																
	X13 - Crankcase Heater Relay	KM-1601SRJ		1																
10	Start Relay	KM-1601S_J	4A1107-09	1																
11	Start Capacitor	KM-1601S_J 189-227MFD, 330VAC	3A0076-12	1																
12	Run Capacitor	KM-1601S_J 35MFD, 370VAC	3A2005-12	1																

D. Accessories and Labels

KM-1601SAJ/3, KM-1601SWJ/3, KM-1601SRJ/3

F-0, H-0



Title: D. Accessories and Labels Model: KM-1601SAJ/3, KM-1601SWJ/3, KM-1601SRJ/3											
Index No.	Description	Material or Model Number	Part Number	Required Number							
				F-0	H-0						
1	HOSHIZAKI Emblem Label		4A0560-01	1							
2	Penguin Label		475552L02	1							
13	Universal Brace		4A0363-01	2							
3a	Hex Head Bolt	5x12	7B02-0512	2							