

NO. 71193

ISSUED: OCT. 2, 2001

REVISED: JAN. 27, 2003



HOSHIZAKI
STACKABLE CRESCENT CUBER

MODELS

KM-1600SWH

KM-1600SRH

KM-1600SWH3

KM-1600SRH3

PARTS LIST

KM-1600SWH	L-0	June, 2001
	M-0	Feb., 2002
	M-1	Feb., 2002
	M-2	March, 2002
	M-3	May, 2002
	N-0	Dec., 2002
KM-1600SRH	L-0	May, 2001
	M-0	Dec., 2001
	M-1	April, 2002
	M-2	June, 2002
	N-0	Jan., 2003
KM-1600SWH3	L-0	Sept., 2001
	M-0	Dec., 2001
	M-1	March, 2002
	M-3	May, 2002
	N-0	March, 2003
KM-1600SRH3	L-0	June, 2001
	M-0	Dec., 2001
	M-1	April, 2002
	M-2	May, 2002
	N-0	Jan., 2003

MATERIAL ABBREVIATIONS

ALUMINUM

AL = Aluminum

COPPER

CU = Copper

PLASTIC

ABS = Acrylonitrile-butadiene-styrene
 AC = Polyacetal
 EVA = Ethylene vinyl acetate
 PA = Polyamide = Nylon
 PC = Polycarbonate
 PE = Polyethylene
 PES = Polyester
 PETP = Polyethylene terephthalate = Tetlon
 PP = Polypropylene
 PS = Polystyrene
 PTFE = Polytetrafluoroethylene = Teflon
 PUR = Polyurethane
 PVC = Polyvinyl chloride

RUBBER

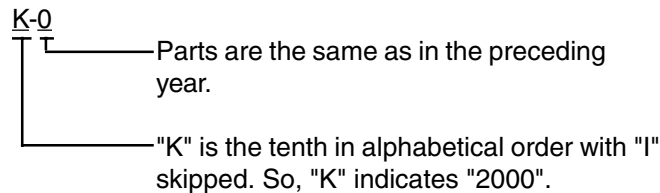
VN = Vinyl Nitrile
 EPDM = EP rubber
 NBR = Nitrile butadiene rubber
 NR = Natural rubber
 NP = Neoprene
 SI.R = Silicone rubber
 SY.R = Synthetic rubber
 EPH = Epichlorohydrin

STEEL

G.S = Galvanized steel
 S.S = Stainless steel
 PS = Plated steel
 PAS = Primed steel

AUXILIARY CODE

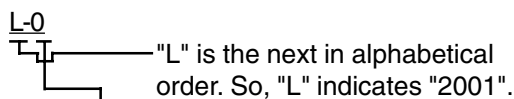
Ex.1



(Note) - = Part deleted.

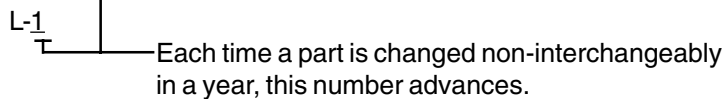
x = Part deleted and replaced by "o" (interchangeable) part.

Ex.2



o = New part for "x" in the same auxiliary code.

Ex.3

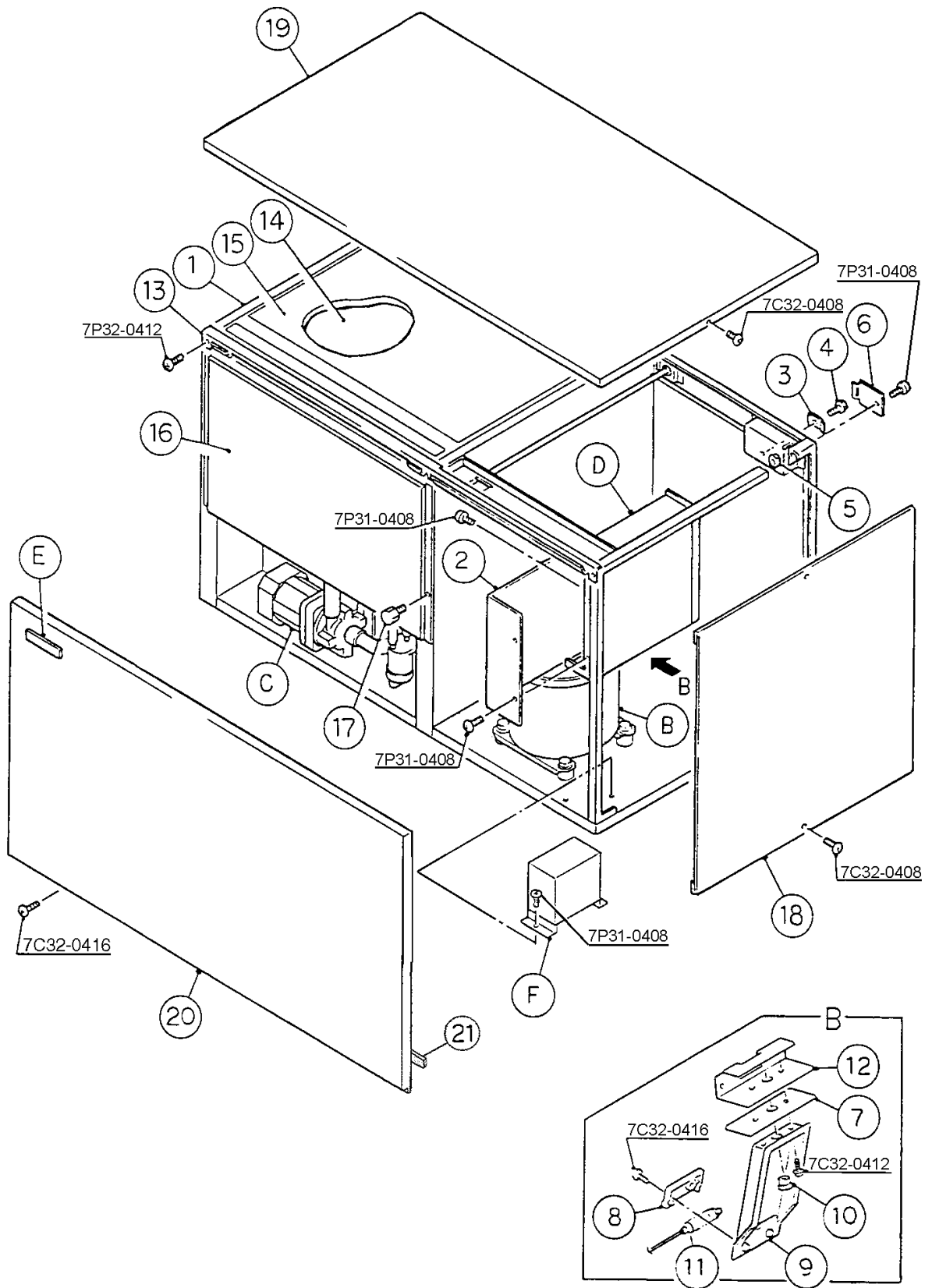


HA

KM-1600SWH

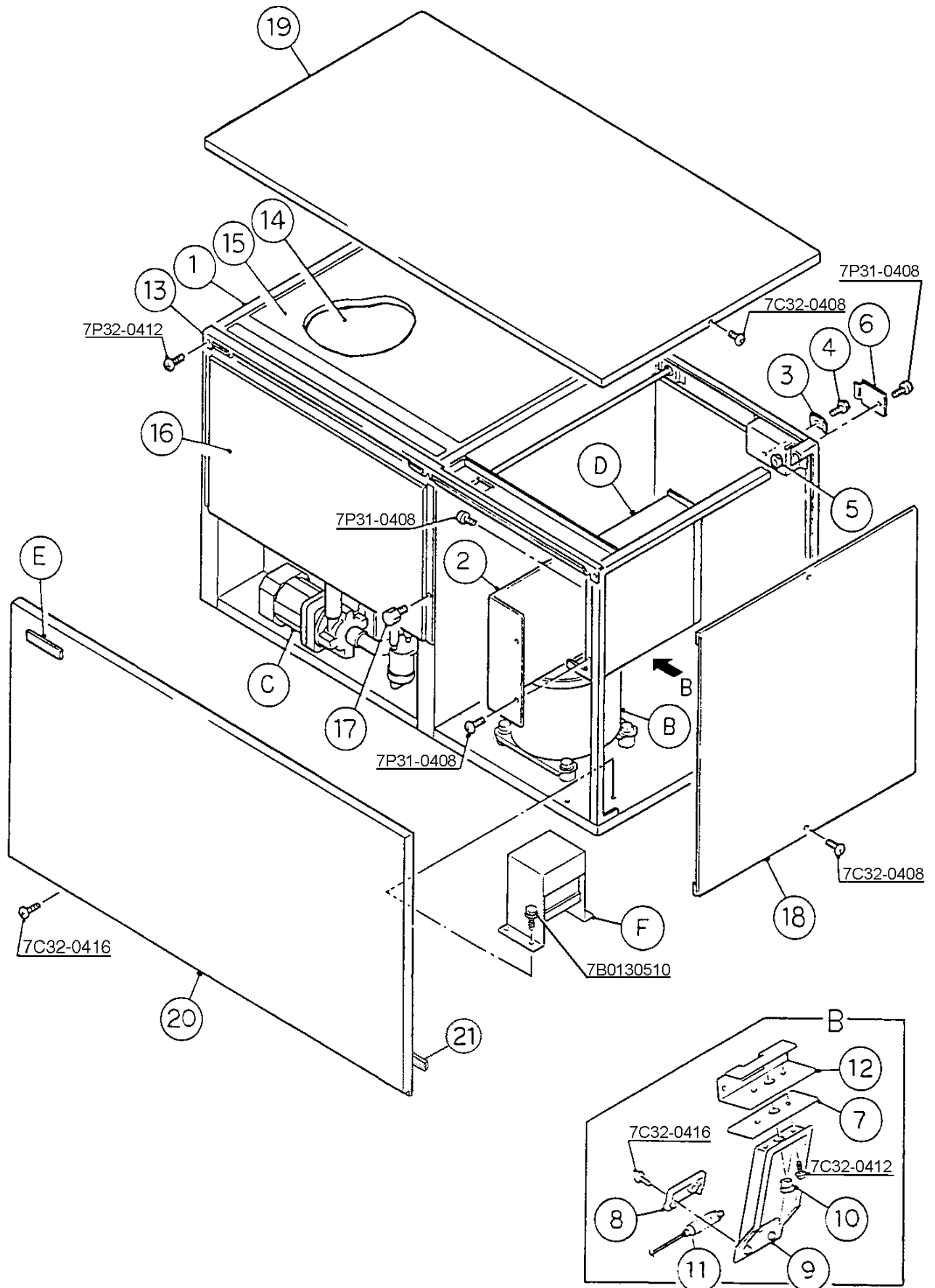
A. ICE CUBER ASSEMBLY

L-0, M-0, M-1, M-2, M-3, N-0



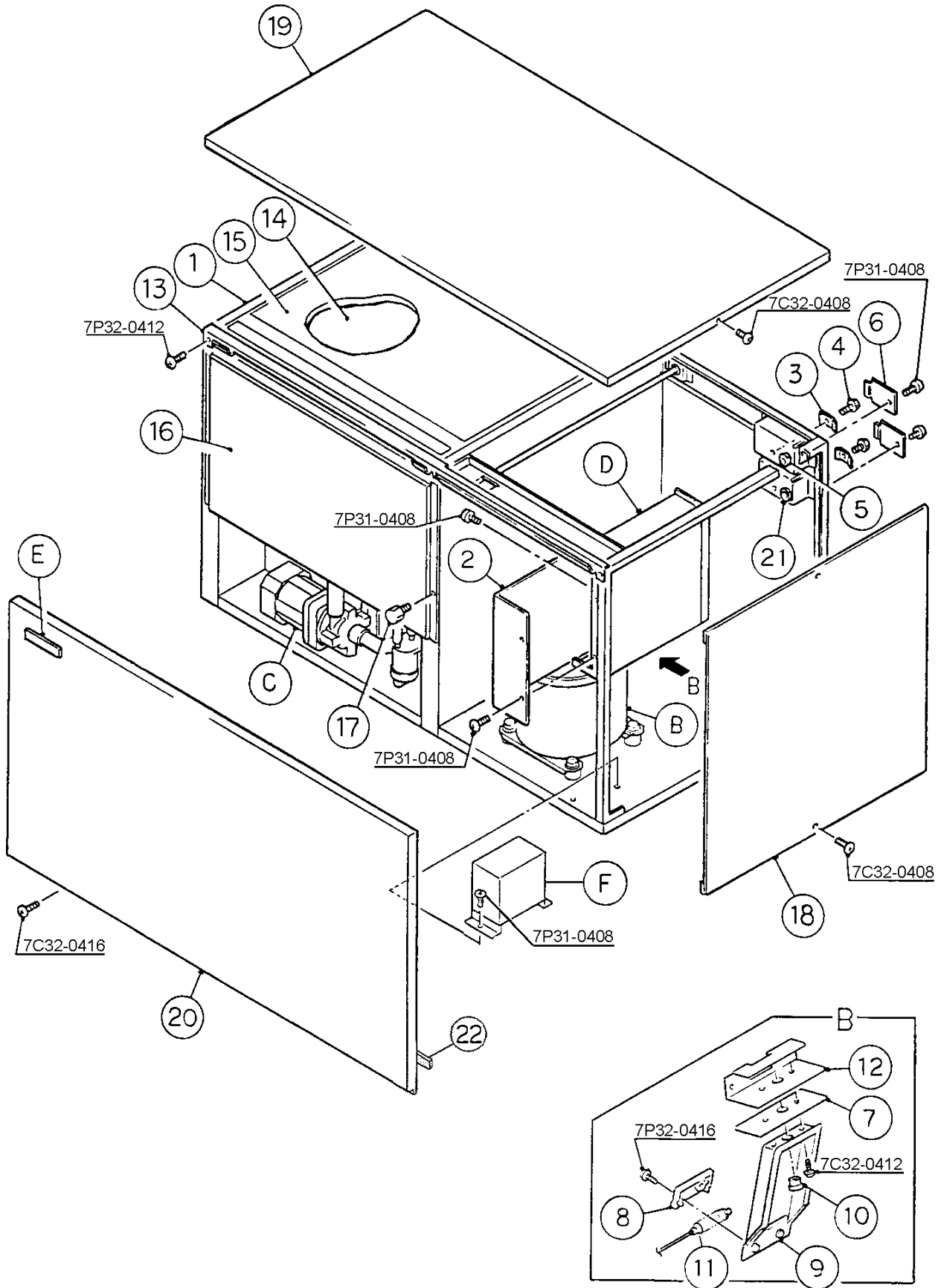
MODEL: KM-1600SWH TITLE: A. ICE CUBER ASSEMBLY								
INDEX NO.	DESCRIPTION	MATERIAL OR MODEL NUMBER	PART NUMBER	REQUIRED NUMBER				
				L-0	M-0	M-1	M-2	M-3 N-0
B	REFRIGERATION CIRCUIT	-	1A0294A01	1	1	-		
		-	1A0694A01			1	1	1
C	WATER CIRCUIT	-	105109A04	1	1	1	1	1
D	CONTROL BOX ASSEMBLY	-	2A1122A03	1	1	1	1	-
		-	2A2527A01					1
	T2 SCREW	4X8	7P31-0408	3	3	3	3	3
E	LABEL LOCATION	-	2A2230A01	1	1	1	1	-
		-	2A2556A01					1
F	CAPACITOR BOX ASSEMBLY	-	3A1003A01	1	-			
		-	3A2054A01		1	1	1	1
	T2 SCREW	4X8	7P31-0408	2	2	2	2	2
1	EVAPORATOR CASE	-	1A0603G04	1	-			
		-	1A0603G10		1	1	1	1
2	CONTROL BOX COVER	GS	3A0174-01	1	1	1	1	-
		GS	3A2386-01					1
	T2 SCREW	4X8	7P31-0408	3	3	3	3	3
3	SQUARE WASHER	BRASS	433537-02	1	1	1	1	1
4	SCREW - GROUNDING	BRASS	433304-02	1	1	1	1	1
5	BUSHING	SR-34-2	420472-05	1	1	1	1	1
6	JUNCTION BOX COVER	GS	433410-01	1	1	1	1	1
	T2 SCREW	4X8	7P31-0408	1	1	1	1	1
7	SPACER	ABS	439727-01	1	1	1	1	1
8	BULB HOLDER	PE	328919-01	1	1	1	1	1
	T2 SCREW	4X16, SS	7P32-0416	2	2	2	2	2
9	BULB HOLDER (C)	ABS	216340G01	1	1	1	1	1
	TRUSS HEAD SCREW	4X12, SS	7C32-0412	2	2	2	2	2
10	CAPILLARY RING	-	425307-01	1	1	1	1	1
11	SPACER	PE	443545-01	1	1	1	1	2
12	BULB HOLDER (D)	GS	328742-01	1	1	1	1	1

MODEL: KM-1600SWH TITLE: A. ICE CUBER ASSEMBLY								
INDEX NO.	DESCRIPTION	MATERIAL OR MODEL NUMBER	PART NUMBER	REQUIRED NUMBER				
				L-0	M-0	M-1	M-2	M-3 N-0
13	FRONT PANEL - BRACKET	SS	323903-01	1	1	1	1	1
	T2 SCREW	4X12, SS	7P32-0412	3	3	3	3	3
14	SPACER	ABS	324321-01	1	1	1	1	1
15	TOP INSULATION	ABS, PE	324216G01	1	1	1	1	1
16	FRONT INSULATION	ABS, PE	324215G01	1	1	1	1	1
17	THUMBSCREW	ABS, SS	415949G01	1	1	1	1	1
18	SIDE PANEL (R)	SS	2A2226G01	1	1	1	1	1
	TRUSS HEAD SCREW	4X8, SS	7C32-0408	1	1	1	1	1
19	TOP PANEL (A)	SS	2A2255-01	1	1	1	1	1
	TRUSS HEAD SCREW	4X8, SS	7C32-0408	2	2	2	2	2
20	FRONT PANEL	SS	3A1969G01	1	1	1	1	1
	TRUSS HEAD SCREW	4X16, SS	7C32-0416	2	2	2	2	2
21	GASKET	L=1219	4A0808L02	1	1	1	1	1



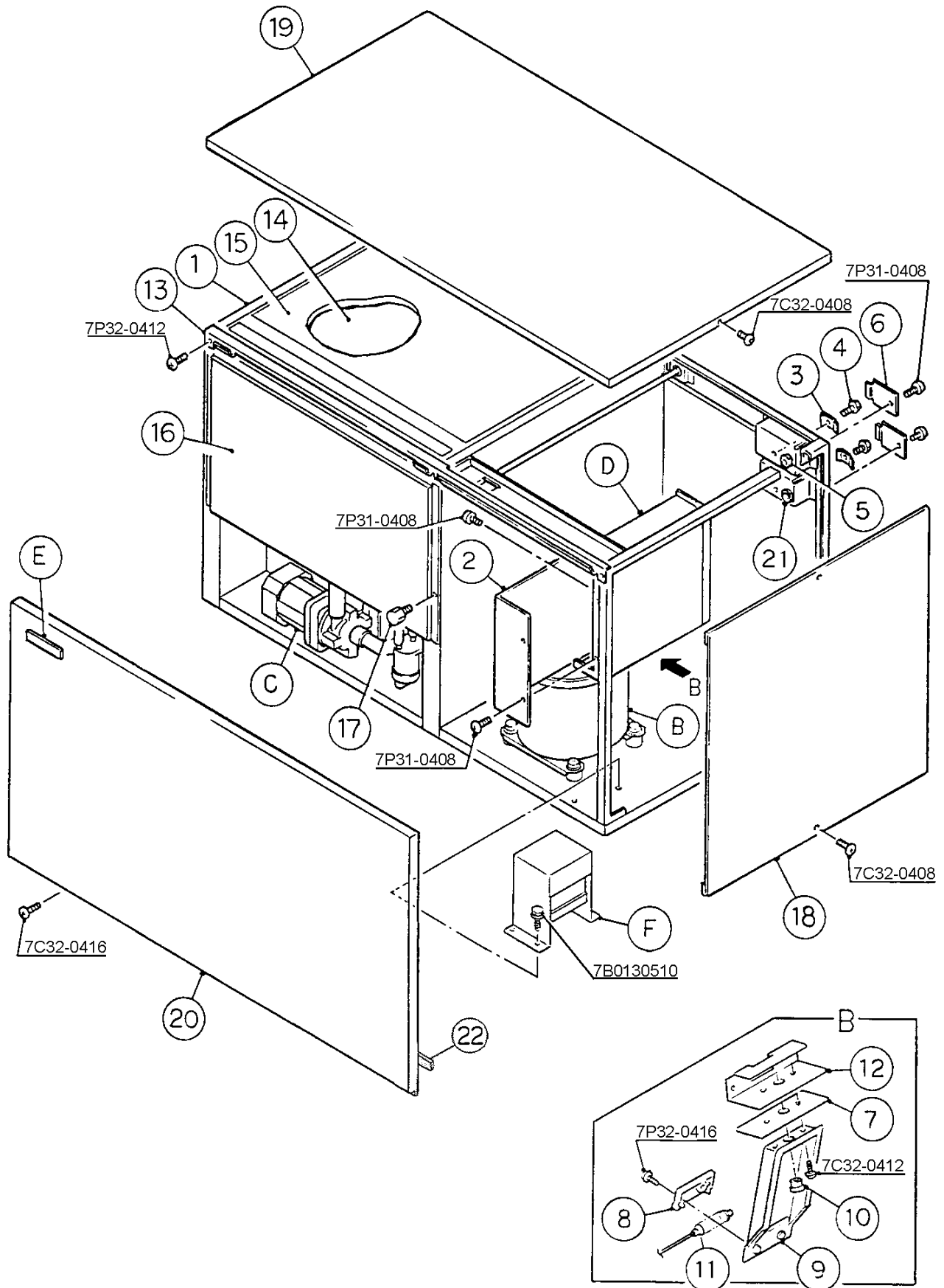
MODEL: KM-1600SWH3 TITLE: A. ICE CUBER ASSEMBLY								
INDEX NO.	DESCRIPTION	MATERIAL OR MODEL NUMBER	PART NUMBER	REQUIRED NUMBER				
				L-0	M-0	M-1	M-3	N-0
B	REFRIGERATION CIRCUIT	-	1A0294A02	1	1	-		
		-	1A0694A02			1	1	1
C	WATER CIRCUIT	-	105109A04	1	1	1	1	1
D	CONTROL BOX ASSEMBLY	-	2A1122A03	1	1	1	-	
		-	2A2527A01				1	1
	T2 SCREW	4X8	7P31-0408	3	3	3	3	3
E	LABEL LOCATION	-	2A2230A02	1	1	1	-	
		-	2A2556A02				1	1
F	TRANSFORMER BOX ASSEMBLY	-	3A1102A01	1	1	1	1	1
	HEX HEAD BOLT W/ WASHER (LF)	5X10	7B0130510	4	4	4	4	4
1	EVAPORATOR CASE	-	1A0603G04	1	1	-		
		-	1A0603G10			1	1	1
2	CONTROL BOX COVER	GS	3A0174-01	1	1	1	-	
		GS	3A2386-01				1	1
	T2 SCREW	4X8	7P31-0408	3	3	3	3	3
3	SQUARE WASHER	BRASS	433537-02	1	1	1	1	1
4	SCREW - GROUNDING	BRASS	433304-02	1	1	1	1	1
5	BUSHING	SR-34-2	420472-05	1	1	1	1	1
6	JUNCTION BOX COVER	GS	433410-01	1	1	1	1	1
	T2 SCREW	4X8	7P31-0408	1	1	1	1	1
7	SPACER	ABS	439727-01	1	1	1	2	2
8	BULB HOLDER	PE	328919-01	1	1	1	1	1
	T2 SCREW	4X16, SS	7P32-0416	2	2	2	2	2
9	BULB HOLDER (C)	ABS	216340G01	1	1	1	1	1
	TRUSS HEAD SCREW	4X12, SS	7C32-0412	2	2	2	2	2
10	CAPILLARY RING	-	425307-01	1	1	1	1	1
11	SPACER	PE	443545-01	1	1	1	1	1
12	BULB HOLDER (D)	GS	328742-01	1	1	1	1	1

MODEL: KM-1600SWH3 TITLE: A. ICE CUBER ASSEMBLY								
INDEX NO.	DESCRIPTION	MATERIAL OR MODEL NUMBER	PART NUMBER	REQUIRED NUMBER				
				L-0	M-0	M-1	M-3	N-0
13	FRONT PANEL - BRACKET	SS	323903-01	1	1	1	1	1
	T2 SCREW	4X12, SS	7P32-0412	3	3	3	3	3
14	SPACER	ABS	324321-01	1	1	1	1	1
15	TOP INSULATION	ABS, PE	324216G01	1	1	1	1	1
16	FRONT INSULATION	ABS, PE	324215G01	1	1	1	1	1
17	THUMBSCREW	ABS, SS	415949G01	1	1	1	1	1
18	SIDE PANEL (R)	SS	2A2226G01	1	1	1	1	1
	TRUSS HEAD SCREW	4X8, SS	7C32-0408	1	1	1	1	1
19	TOP PANEL (A)	SS	2A2255-01	1	1	1	1	1
	TRUSS HEAD SCREW	4X8, SS	7C32-0408	2	2	2	2	2
20	FRONT PANEL	SS	3A1969G01	1	1	1	1	1
	TRUSS HEAD SCREW	4X16, SS	7C32-0416	2	2	2	2	2
21	GASKET	L=1219	4A0808L02	1	1	1	1	1



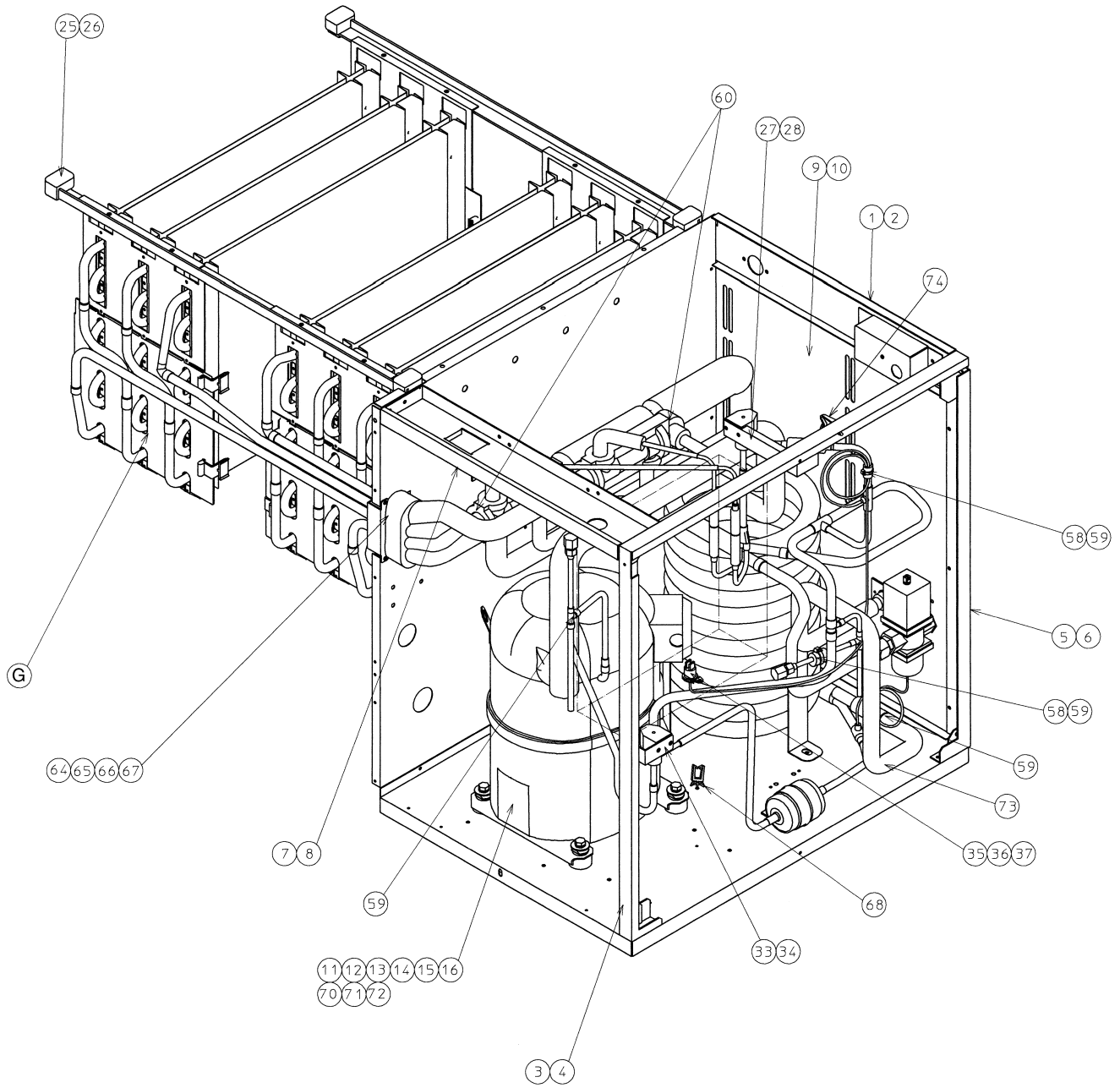
MODEL: KM-1600SRH TITLE: A. ICE CUBER ASSEMBLY								
INDEX NO.	DESCRIPTION	MATERIAL OR MODEL NUMBER	PART NUMBER	REQUIRED NUMBER				
				L-0	M-0	M-1	M-2	N-0
B	REFRIGERATION CIRCUIT	-	1A0274A01	1	1	x1		
		-	1A0274A03			o1	1	1
C	WATER CIRCUIT	-	105109A04	1	1	1	1	1
D	CONTROL BOX ASSEMBLY	-	2A1122A03	1	1	1	-	
		-	2A2527A01				1	1
	T2 SCREW	4X8	7P31-0408	3	3	3	3	3
E	LABEL LOCATION	-	2A2231A01	1	1	1	-	
		-	2A2557A01				1	1
F	CAPACITOR BOX ASSEMBLY	-	3A1003A01	1	-			
		-	3A2054A01		1	1	1	1
	T2 SCREW	4X8	7P31-0408	2	2	2	2	2
1	EVAPORATOR CASE	-	1A0603G05	1	1	1	1	1
2	CONTROL BOX COVER	GS	3A0174-01	1	1	1	-	
		GS	3A2386-01				1	1
	T2 SCREW	4X8	7P31-0408	3	3	3	3	3
3	SQUARE WASHER	BRASS	433537-02	2	2	2	2	2
4	SCREW - GROUNDING	BRASS	433304-02	2	2	2	2	2
5	BUSHING	SR-34-2	420472-05	1	1	1	1	1
6	JUNCTION BOX COVER	GS	433410-01	2	2	2	2	2
	T2 SCREW	4X8	7P31-0408	2	2	2	2	2
7	SPACER	ABS	439727-01	1	1	1	2	2
8	BULB HOLDER	PE	328919-01	1	1	1	1	1
	T2 SCREW	4X16, SS	7P32-0416	2	2	2	2	2
9	BULB HOLDER (C)	ABS	216340G01	1	1	1	1	1
	TRUSS HEAD SCREW	4X12, SS	7C32-0412	2	2	2	2	2
10	CAPILLARY RING	-	425307-01	1	1	1	1	1
11	SPACER	PE	443545-01	1	1	1	1	1
12	BULB HOLDER (D)	GS	328742-01	1	1	1	1	1
13	FRONT PANEL - BRACKET	SS	323903-01	1	1	1	1	1
	T2 SCREW	4X12, SS	7P32-0412	3	3	3	3	3
14	SPACER	ABS	324321-01	1	1	1	1	1

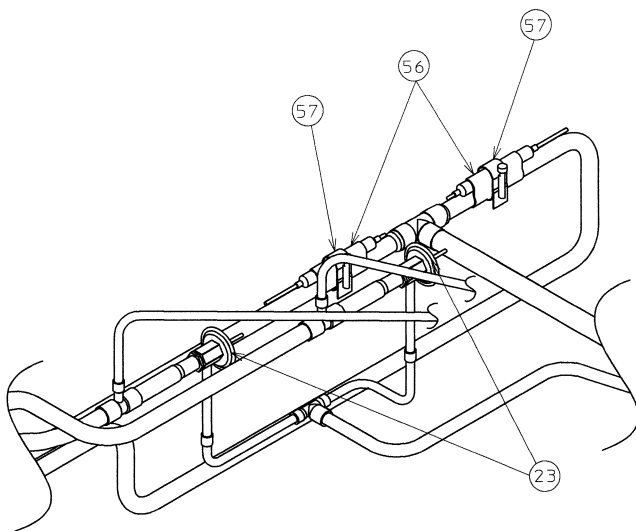
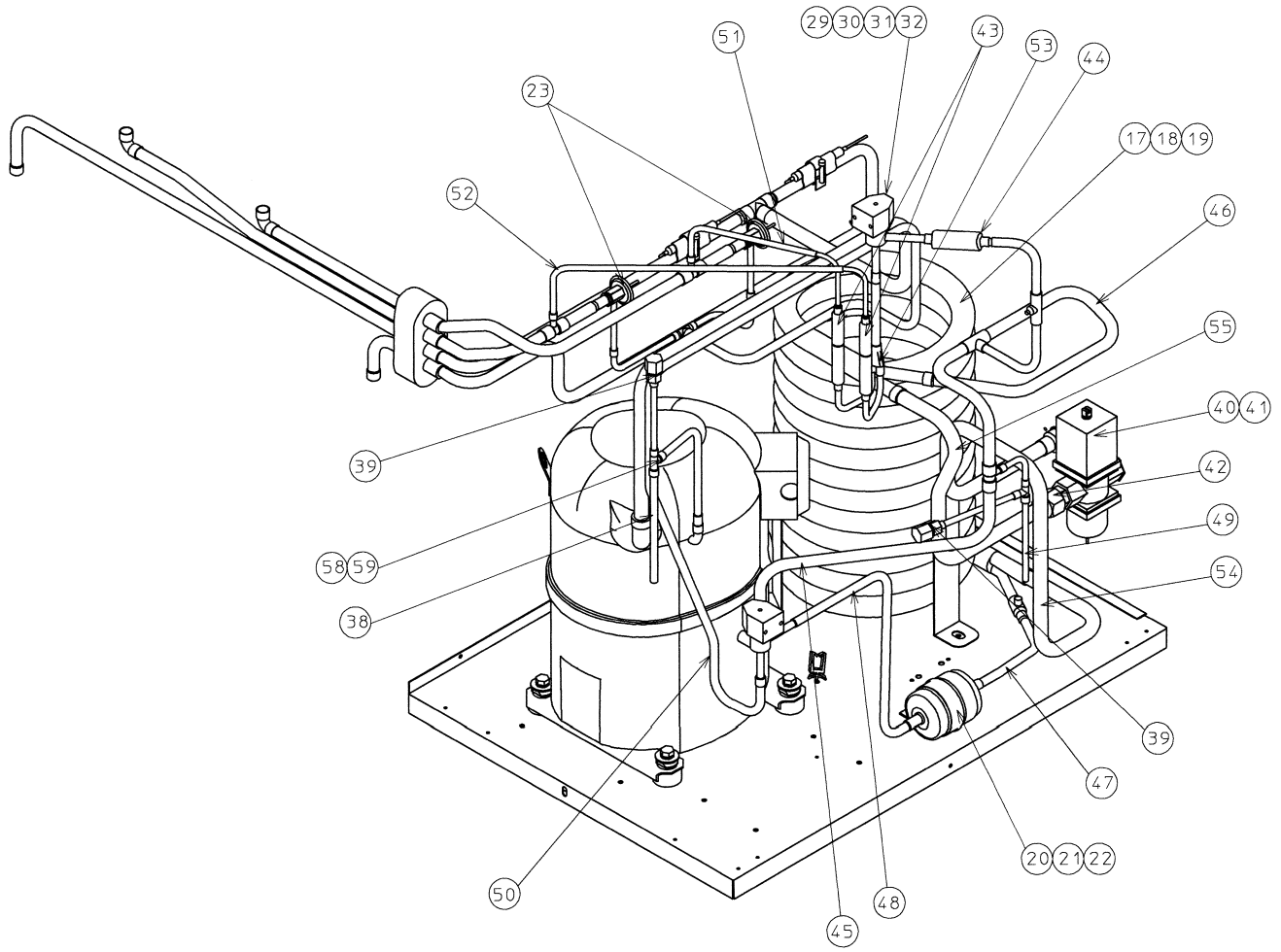
MODEL: KM-1600SRH TITLE: A. ICE CUBER ASSEMBLY								
INDEX NO.	DESCRIPTION	MATERIAL OR MODEL NUMBER	PART NUMBER	REQUIRED NUMBER				
				L-0	M-0	M-1	M-2	N-0
15	TOP INSULATION	ABS, PE	324216G01	1	1	1	1	1
16	FRONT INSULATION	ABS, PE	324215G01	1	1	1	1	1
17	THUMBSCREW	ABS, SS	415949G01	1	1	1	1	1
18	SIDE PANEL (R)	SS	2A2226G01	1	1	1	1	1
	TRUSS HEAD SCREW	4X8, SS	7C32-0408	1	1	1	1	1
19	TOP PANEL (A)	SS	2A2255-01	1	1	1	1	1
	TRUSS HEAD SCREW	4X8, SS	7C32-0408	2	2	2	2	2
20	FRONT PANEL	SS	3A1969G01	1	1	1	1	1
	TRUSS HEAD SCREW	4X16, SS	7C32-0416	2	2	2	2	2
21	BUSHING	-	420472-03	1	1	1	1	1
22	GASKET	L=1219	4A0808L02	1	1	1	1	1



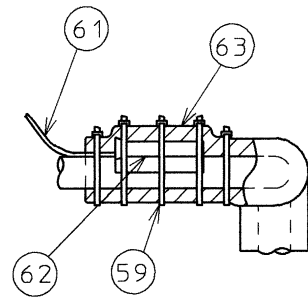
MODEL: KM-1600SRH3 TITLE: A. ICE CUBER ASSEMBLY								
INDEX NO.	DESCRIPTION	MATERIAL OR MODEL NUMBER	PART NUMBER	REQUIRED NUMBER				
				L-0	M-0	M-1	M-2	N-0
B	REFRIGERATION CIRCUIT	-	1A0274A02	1	1	x1		
		-	1A0274A04			o1	1	1
C	WATER CIRCUIT	-	105109A04	1	1	1	1	1
D	CONTROL BOX ASSEMBLY	-	2A1122A03	1	1	1	-	
		-	2A2527A01				1	1
	T2 SCREW	4X8	7P31-0408	3	3	3	3	3
E	LABEL LOCATION	-	2A2231A02	1	1	1	-	
		-	2A2557A02				1	1
F	TRANSFORMER BOX ASSEMBLY	-	3A1102A01	1	1	1	1	1
	HEX HEAD BOLT W/ WASHER (LF)	5X10	7B0130510	4	4	4	4	4
1	EVAPORATOR CASE	-	1A0603G05	1	1	1	1	1
2	CONTROL BOX COVER	GS	3A0174-01	1	1	1	-	
		GS	3A2386-01				1	1
	T2 SCREW	4X8	7P31-0408	3	3	3	3	3
3	SQUARE WASHER	BRASS	433537-02	2	2	2	2	2
4	SCREW - GROUNDING	BRASS	433304-02	2	2	2	2	2
5	BUSHING	SR-34-2	420472-05	1	1	1	1	1
6	JUNCTION BOX COVER	GS	433410-01	2	2	2	2	2
	T2 SCREW	4X8	7P31-0408	2	2	2	2	2
7	SPACER	ABS	439727-01	1	1	1	1	1
8	BULB HOLDER	PE	328919-01	1	1	1	1	1
	T2 SCREW	4X16, SS	7P32-0416	2	2	2	2	2
9	BULB HOLDER (C)	ABS	216340G01	1	1	1	1	1
	TRUSS HEAD SCREW	4X12, SS	7C32-0412	2	2	2	2	2
10	CAPILLARY RING	-	425307-01	1	1	1	1	1
11	SPACER	PE	443545-01	1	1	1	2	2
12	BULB HOLDER (D)	GS	328742-01	1	1	1	1	1
13	FRONT PANEL - BRACKET	SS	323903-01	1	1	1	1	1
	T2 SCREW	4X12, SS	7P32-0412	3	3	3	3	3

MODEL: KM-1600SRH3 TITLE: A. ICE CUBER ASSEMBLY								
INDEX NO.	DESCRIPTION	MATERIAL OR MODEL NUMBER	PART NUMBER	REQUIRED NUMBER				
				L-0	M-0	M-1	M-2	N-0
14	SPACER	ABS	324321-01	1	1	1	1	1
15	TOP INSULATION	ABS, PE	324216G01	1	1	1	1	1
16	FRONT INSULATION	ABS, PE	324215G01	1	1	1	1	1
17	THUMBSCREW	ABS, SS	415949G01	1	1	1	1	1
18	SIDE PANEL (R)	SS	2A2226G01	1	1	1	1	1
	TRUSS HEAD SCREW	4X8, SS	7C32-0408	1	1	1	1	1
19	TOP PANEL (A)	SS	2A2255-01	1	1	1	1	1
	TRUSS HEAD SCREW	4X8, SS	7C32-0408	2	2	2	2	2
20	FRONT PANEL	SS	3A1969G01	1	1	1	1	1
	TRUSS HEAD SCREW	4X16, SS	7C32-0416	2	2	2	2	2
21	BUSHING	-	420472-03	1	1	1	1	1
22	GASKET	L=1219	4A0808L02	1	1	1	1	1

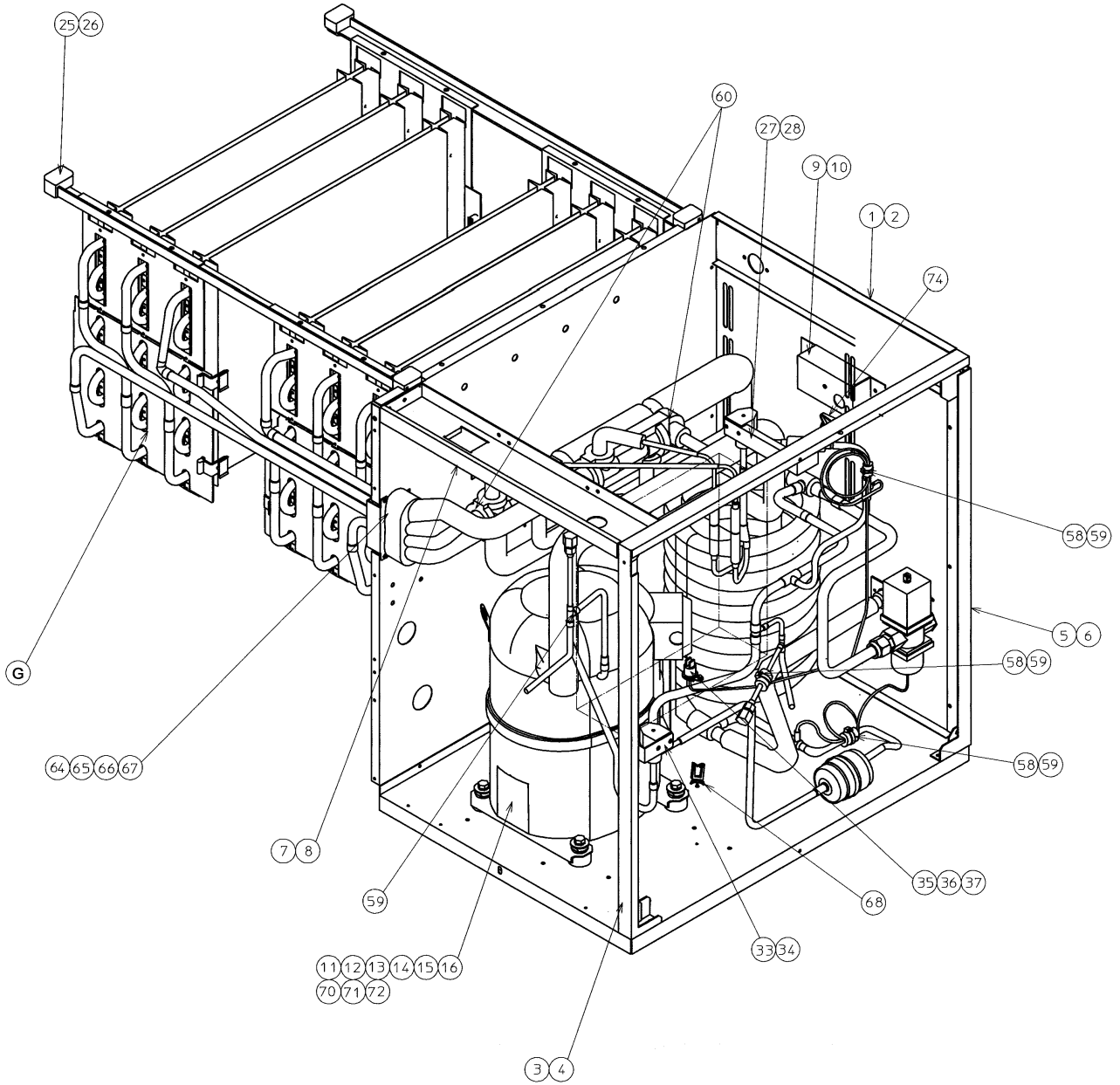


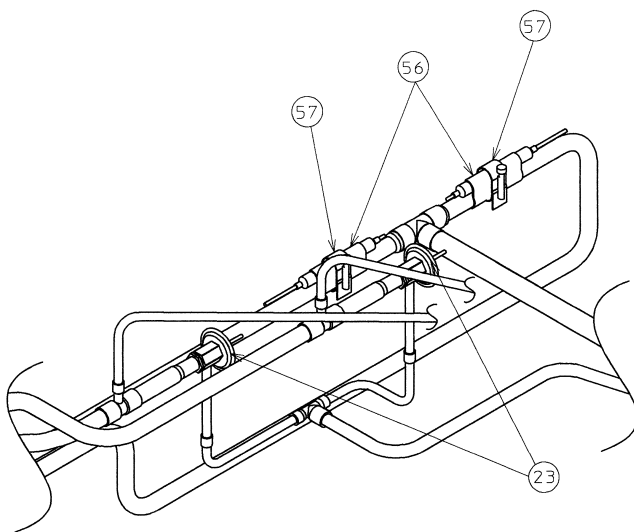
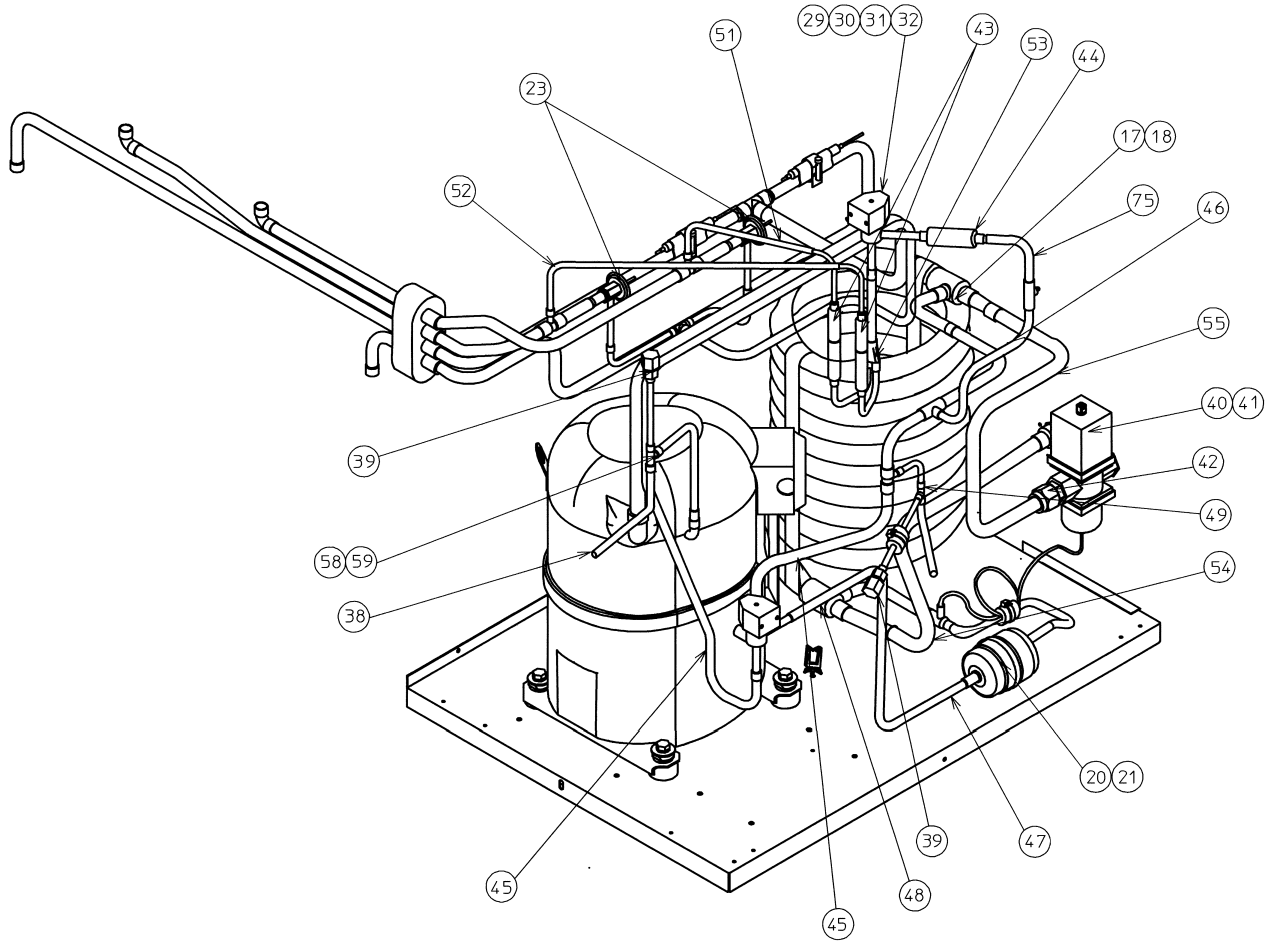


DETAILED EXPANSION VALVE

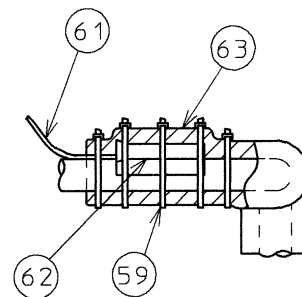


DETAILED THERMISTOR ATTACHMENT





DETAILED EXPANSION VALVE

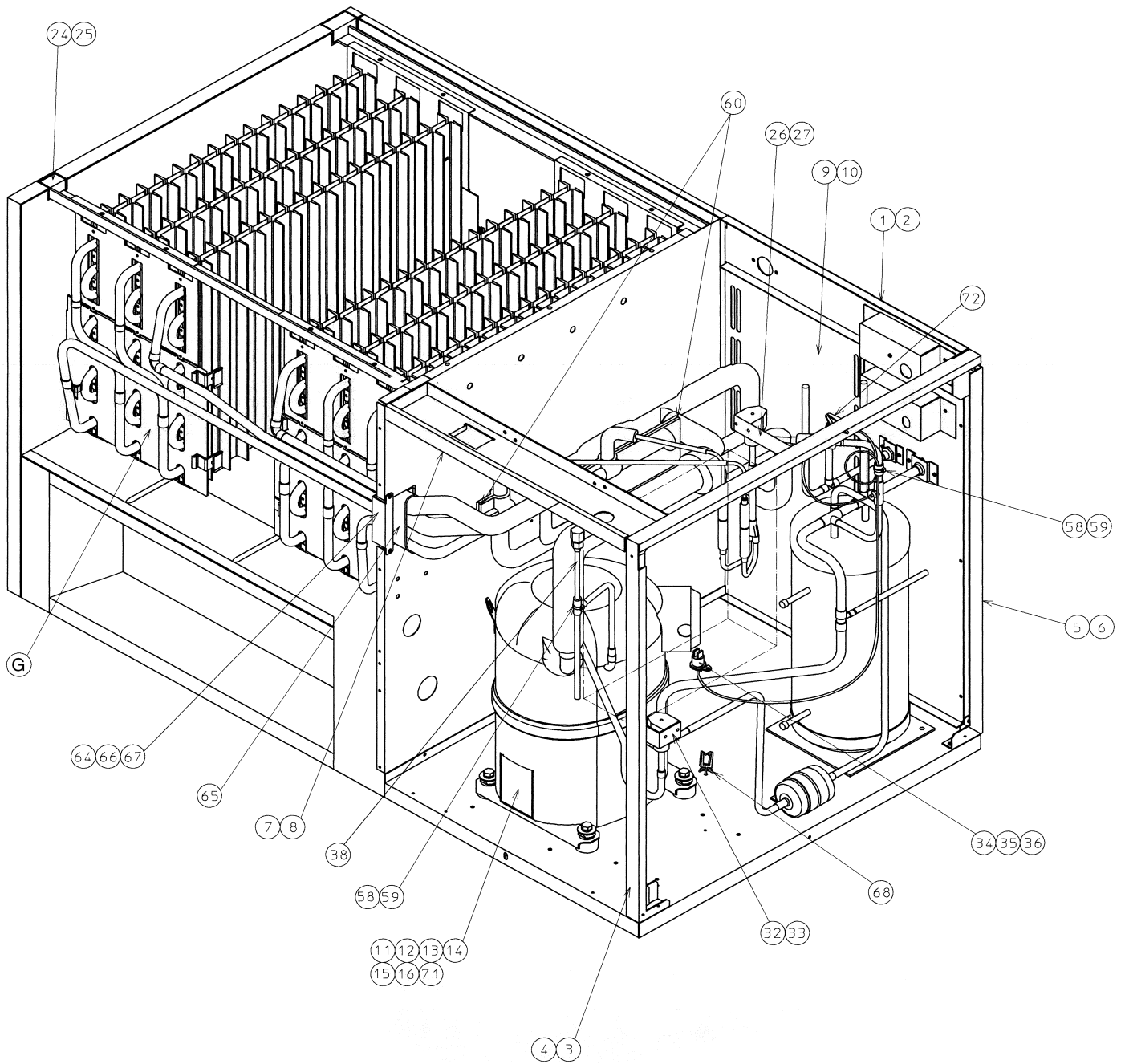


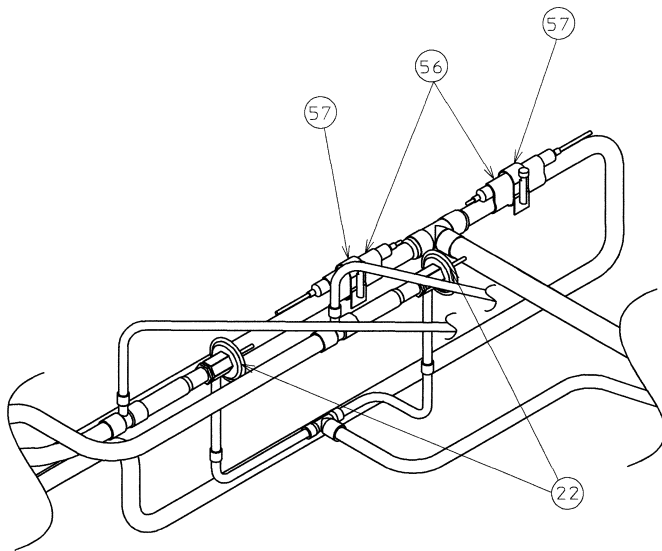
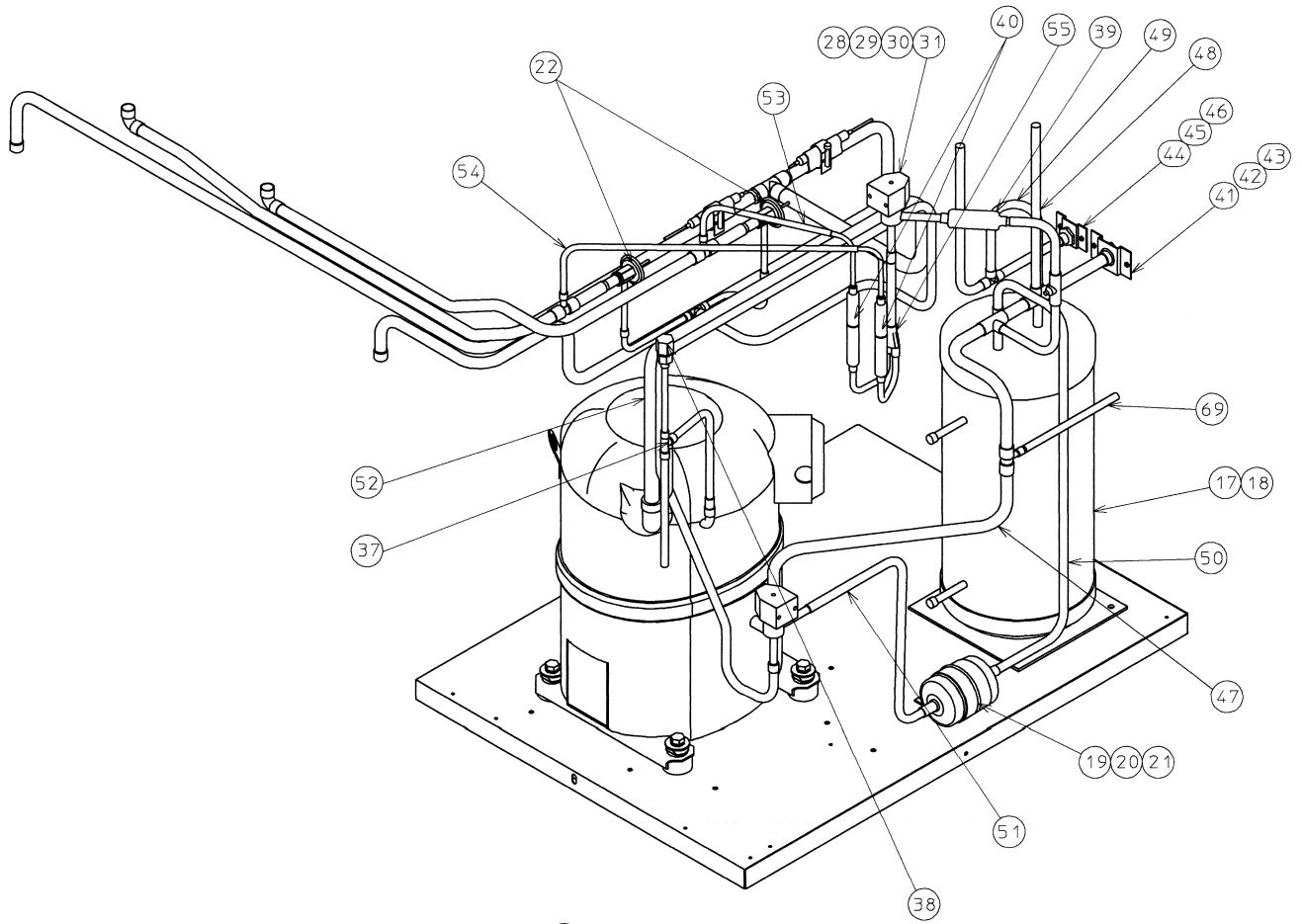
DETAILED THERMISTOR ATTACHMENT

B. REFRIGERATION CIRCUIT

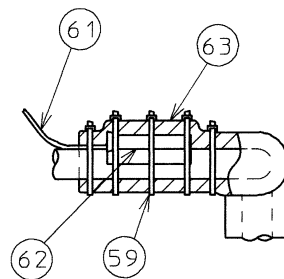
INDEX NO.	PART NUMBER	DESCRIPTION	REQUIRED NUMBER					
			L-0	M-0	M-1	M-2	M-3	N-0
G	104696A01	EVAPORATOR	1	1	1	1	1	1
1	439285G04	REAR FRAME	1	1	1	1	1	1
2	7P31-0408	T2 SCREW 4X8	2	2	2	2	2	2
3	219472G01	SIDE FRAME (A)	1	1	1	1	1	1
4	7P31-0408	T2 SCREW 4X8	3	3	3	3	3	3
5	323901G01	SIDE FRAME (B)	1	1	1	1	1	1
6	7P31-0408	T2 SCREW 4X8	4	4	4	4	4	4
7	325857-01	FRONT FRAME	1	1	1	1	1	1
8	7P31-0408	T2 SCREW 4X8	4	4	4	4	4	4
9	2A1254-01	REAR PANEL (A)	1	1	1	1	1	1
10	7P31-0408	T2 SCREW 4X8	6	6	6	6	6	6
11	4A1420-01	COMPRESSOR KM-1600SWH	1	1	1	1	1	1
12	4A1420F01	TERMINAL COVER KM-1600SWH	1	1	1	1	1	1
13	434922-01	GROMMET	4	4	4	4	4	4
14	434921-01	SPACER	4	4	4	4	4	4
15	437889-01	BOLT 8X45	4	4	4	4	4	4
16	4A1420F04	GASKET KM-1600SWH	1	1	1	1	1	1
17	219382-02	CONDENSER-WATER COOLED	1	1	—			
	2A2359G05				1	1	1	1
18	7B0130510	HEX HEAD BOLT W/WASHER (LF) 5X10	3	3	2	2	2	2
19	4A0655-03	WASHER	3	3	—			
20	4A1461-01	DRIER	1	1	1	x1		
	4A2663-01					o1	1	1
21	445251-01	DRIER BRACKET	1	1	—			
	8911-0301	NYLON TIE	1	1	1	1	1	1
22	7P31-0408	T2 SCREW 4X8	1	1	—			
23	4A1482-01	EXP. VALVE HFE-15 NHD-2	2	2	2	2	2	2
25	323925-01	FRAME SEAL	4	4	4	4	4	4
26	7P32-0412	T2 SCREW 4X12 SUS	4	4	4	4	4	4
27	440507-01	HOT GAS VALVE BRACKET	1	1	1	1	1	1
28	7P31-0408	T2 SCREW 4X8	2	2	2	2	2	2
29	440352-01	VALVE BODY	2	2	2	2	2	2
30	440353-01	COIL - VALVE ABS-25-1-HD-2	2	2	2	2	2	2
31	440353F01	BOLT	2	2	2	2	2	2
32	7C31-0408	TRUSS HEAD SCREW 4X8	4	4	4	4	4	4
33	4A1406-01	LINE VALVE BRACKET	1	1	1	1	1	1
34	7P31-0408	T2 SCREW 4X8	2	2	2	2	2	2
35	433441-05	PRESSURE SWITCH ACB-2UB04	1	1	1	1	1	1
36	434938-01	PRESSURE SWITCH BRACKET	1	1	1	1	1	1
37	7P31-0408	T2 SCREW 4X8	1	1	1	1	1	1

INDEX NO.	PART NUMBER	DESCRIPTION	REQUIRED NUMBER					
			L-0	M-0	M-1	M-2	M-3	N-0
38	4A1497G01	COPPER TUBE - ACCESS VALVE	1	1	1	1	1	1
39	457729-01	ACCESS VALVE TCJ-2F20NHDU-1	2	2	2	2	2	2
40	4A1417-01	WATER REGULATOR V46EB-2D	1	1	1	1	1	1
41	7C31-0406	TRUSS HEAD SCREW 4X6	2	2	2	2	2	2
42	445180-01	MALE CONNECTOR	1	1	1	1	1	1
43	4A1373-01	CHECK VALVE SKC 30564	2	2	2	2	2	2
44	441569-02	STRAINER	1	1	1	1	1	1
45	2A1229G01	COPPER TUBE (A)-HIGH SIDE	1	1	—			
	2A2481G01				1	1	1	1
46	3A1085-01	COPPER TUBE (B)-HIGH SIDE	1	1	—			
	3A2316-01				1	1	1	1
47	4A1469G01	COPPER TUBE (C)-HIGH SIDE	1	1	—			
	4A2763G01				1	1	1	1
48	3A1050-01	COPPER TUBE (F)-HIGH SIDE	1	1	—			
	3A2329-01				1	1	1	1
49	3A1105G01	COPPER TUBE (J)-HIGH SIDE	1	1	1	1	1	1
50	1A0291G01	HEAT EXCHANGER	1	1	1	1	1	1
51	2A1243G01	COPPER TUBE (R)-LOW SIDE	1	1	1	1	1	1
52	2A1242G01	COPPER TUBE (L)-LOW SIDE	1	1	1	1	1	1
53	3A0212G01	COPPER TUBE-HOT GAS	1	1	1	1	1	1
54	3A0997G01	COPPER TUBE (A)	1	1	—			
	3A2315G01				1	1	1	1
55	4A1470G01	COPPER TUBE (B)	1	1	—			
	4A2762G01				1	1	1	1
56	3A0107-01	HOLDER/EXP. VALVE 3/8"	2	2	2	2	2	2
57	443461-02	CLAMP	2	2	2	2	2	2
58	7762-1020	INSULATION TUBE L=40	3	3	3	3	3	3
59	7920-0010	CABLE TIE CV-200 (PLT-2M)	14	14	14	14	14	14
60	3A0944-01	EXP. VALVE COVER	2	2	2	2	2	2
61	429006-03	THERMISTOR	1	1	1	1	1	1
62	438247-01	HOLDER - THERMISTOR	1	1	1	1	1	1
63	427441-01	INSULATION - THERMISTOR	1	1	1	1	1	1
64	323975G01	INSULATED RUBBER TUBE	1	1	1	1	1	1
65	436671-01	INSULATION	1	1	1	1	1	1
66	3A0979-01	INSULATION HOLDER	1	1	1	1	1	1
67	7P32-0408	T2 SCREW 4X8 SUS	2	2	2	2	2	2
68	4A0338-02	WIRE SADDLE	3	3	3	3	3	3
69	—	—						
70	4A1419-01	COMPRESSOR KM-1600SWH3	1	1	1	1	1	1
71	4A1419F01	TERMINAL COVER KM-1600SWH3	1	1	1	1	1	1
72	4A1419F04	GASKET KM-1600SWH3	1	1	1	1	1	1
73	7762-1630	INSULATION TUBE L=905	1	1	—			
74	4A2338-01	CLAMP	1	1	1	1	1	1
75	4A2799G01	COPPER TUBE (M)-HIGH SIDE			1	1	1	1





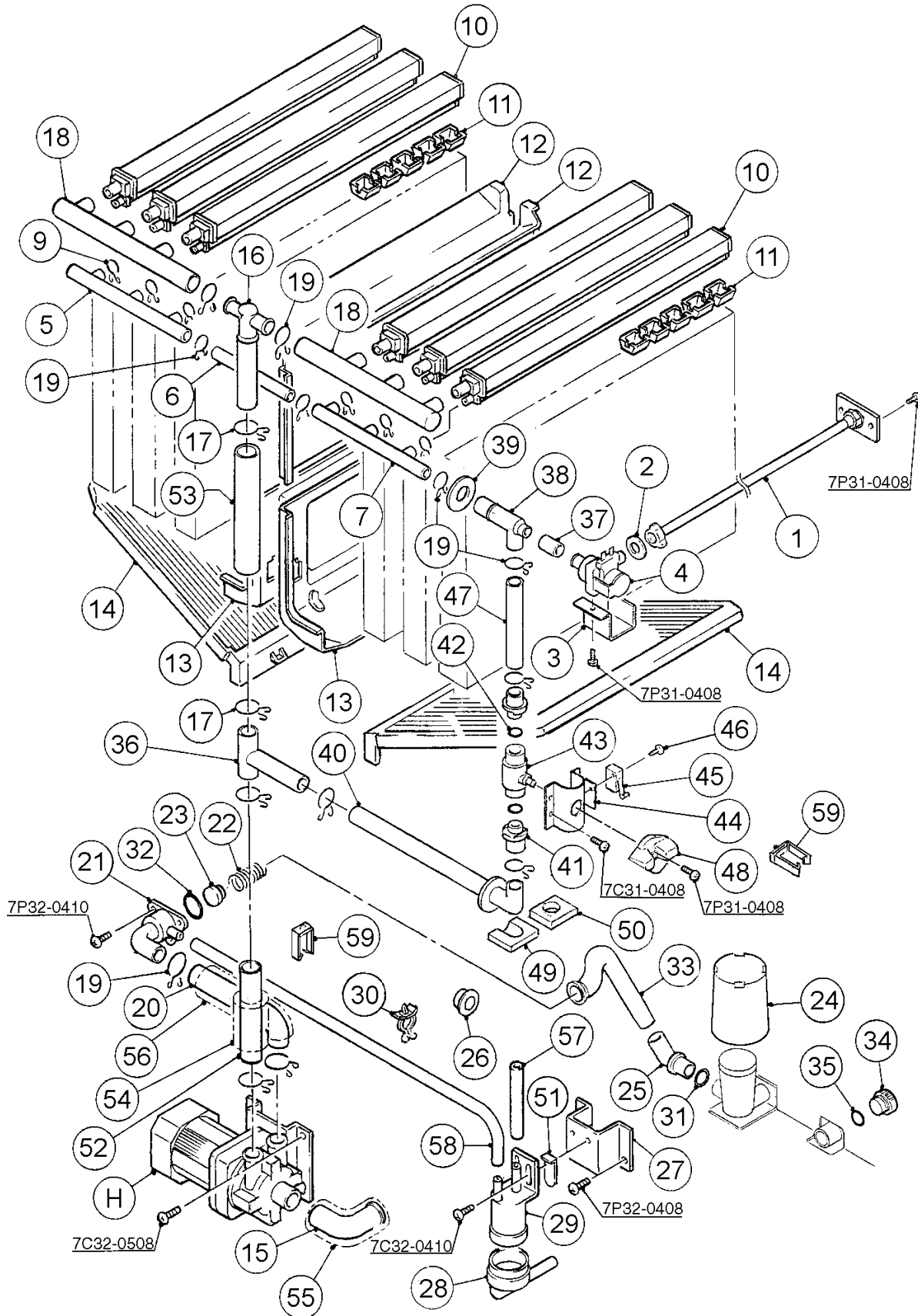
DETAILED EXPANSION VALVE



DETAILED THERMISTOR ATTACHMENT

INDEX NO.	PART NUMBER	DESCRIPTION	REQUIRED NUMBER				
			L-0	M-0	M-1	M-2	N-0
G	104696A01	EVAPORATOR	1	1	1	1	1
1	439285G04	REAR FRAME	1	1	1	1	1
2	7P31-0408	T2 SCREW 4X8	2	2	2	2	2
3	219472G01	SIDE FRAME (A)	1	1	1	1	1
4	7P31-0408	T2 SCREW 4X8	3	3	3	3	3
5	323901G01	SIDE FRAME (B)	1	1	1	1	1
6	7P31-0408	T2 SCREW 4X8	4	4	4	4	4
7	325857-01	FRONT FRAME	1	1	1	1	1
8	7P31-0408	T2 SCREW 4X8	4	4	4	4	4
9	215100G01	REAR PANEL	1	1	1	1	1
10	7P31-0408	T2 SCREW 4X8	6	6	6	6	6
11	4A1420-02	COMPRESSOR KM-1600SRH	1	1	1	1	1
12	4A1420F01	TERMINAL COVER	1	1	1	1	1
13	434922-01	GROMMET	4	4	4	4	4
14	434921-01	SPACER	4	4	4	4	4
15	437889-01	BOLT 8X45	4	4	4	4	4
16	4A1420F04	GASKET	1	1	1	1	1
17	438209-01	RECEIVER RR MNWP450	1	1	1	1	1
18	7B0130530	HEX HEAD BOLT W/WASHER (LF) 5X10	3	3	3	3	3
19	4A1461-01	DRIER	1	1	—		
	4A2663-01				1	1	1
20	445251-01	DRIER BRACKET	1	1	—		
	8911-0301	NYLON TIE			1	1	1
21	7P31-0408	T2 SCREW 4X8	1	1	—		
22	4A1482-01	EXP. VALVE HFE-15 NHD-2	2	2	2	2	2
24	323925-01	FRAME SEAL	4	4	4	4	4
25	7P31-0412	T2 SCREW 4X12	4	4	4	4	4
26	440507-01	HOT GAS VALVE BRACKET	1	1	1	1	1
27	7P31-0408	T2 SCREW 4X8	2	2	2	2	2
28	440352-01	VALVE BODY	2	2	2	2	2
29	440353-01	COIL - VALVE ABS-25-1-HD-2	2	2	2	2	2
30	440353F01	BOLT	2	2	2	2	2
31	7C31-0408	TRUSS HEAD SCREW 4X8	4	4	4	4	4
32	4A1406-01	LINE VALVE BRACKET	1	1	1	1	1
33	7P31-0408	T2 SCREW 4X8	2	2	2	2	2
34	433441-07	PRESSURE SWITCH ACB-1UB09	1	1	1	1	1
35	434938-01	PRESSURE SWITCH BRACKET	1	1	1	1	1
36	7P31-0408	T2 SCREW 4X8	1	1	1	1	1

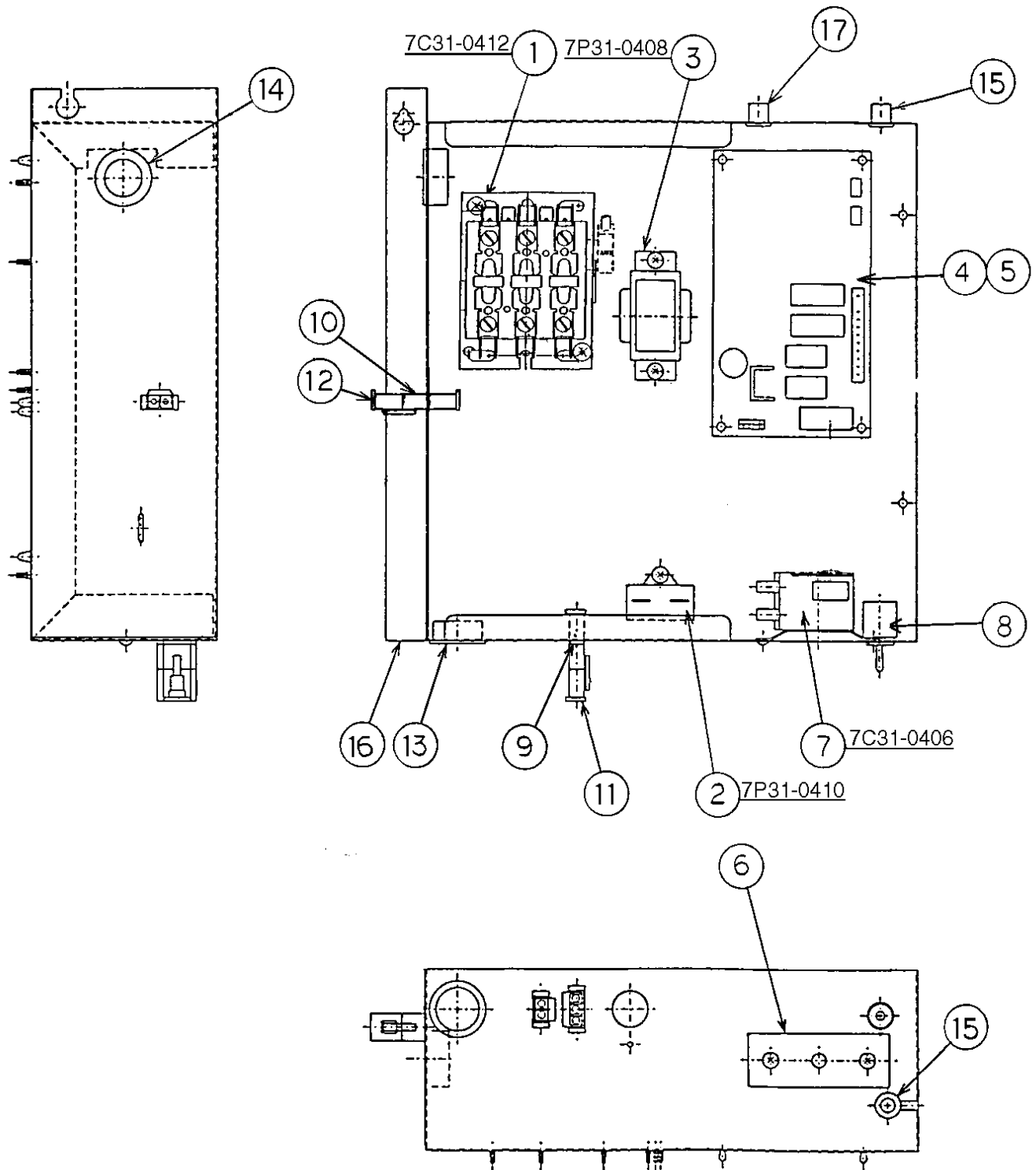
INDEX NO.	PART NUMBER	DESCRIPTION	REQUIRED NUMBER				
			L-0	M-0	M-1	M-2	N-0
37	4A1497G01	COPPER TUBE - ACCESS VALVE	1	1	1	1	1
38	457729-01	ACCESS VALVE TCJ-2F20NHDU-1	1	1	1	1	1
39	441569-02	STRAINER	1	1	1	1	1
40	4A1373-01	CHECK VALVE SKC 30564	2	2	2	2	2
41	434136G01	COUPLING	1	1	1	1	1
42	438245-01	TUBE HOLDER - L	1	1	1	1	1
43	7P31-0408	T2 SCREW 4X8	2	2	2	2	2
44	433751G01	COUPLING	1	1	1	1	1
45	438246-01	TUBE HOLDER - S	1	1	1	1	1
46	7P31-0408	T2 SCREW 4X8	2	2	2	2	2
47	2A1229G01	COPPER TUBE (A)-HIGH SIDE	1	1	1	1	1
48	445423G01	COPPER TUBE (B)-HIGH SIDE	1	1	1	1	1
49	331185G01	COPPER TUBE (D)-HIGH SIDE	1	1	1	1	1
50	3A0992-01	COPPER TUBE (E)-HIGH SIDE	1	1	1	1	1
51	3A1050-01	COPPER TUBE (F)-HIGH SIDE	1	1	—		
	3A2339-01				1	1	1
52	1A0291G01	HEAT EXCHANGER	1	1	1	1	1
53	2A1243G01	COPPER TUBE (R)-LOW SIDE	1	1	1	1	1
54	2A1242G01	COPPER TUBE (L)-LOW SIDE	1	1	1	1	1
55	3A0212G01	COPPER TUBE-HOT GAS	1	1	1	1	1
56	3A0107-01	HOLDER/EXP. VALVE	2	2	2	2	2
57	443461-02	CLAMP	2	2	2	2	2
58	7762-1020	INSULATION TUBE L=40	2	2	2	2	2
59	7920-0010	CABLE TIE CV-200 (PLT-2M)	8	8	8	8	8
60	3A0944-01	EXP. VALVE COVER	2	2	2	2	2
61	429006-03	THERMISTOR	1	1	1	1	1
62	438247-01	HOLDER - THERMISTOR	1	1	1	1	1
63	427441-01	INSULATION - THERMISTOR	1	1	1	1	1
64	323975G01	INSULATED RUBBER TUBE	1	1	1	1	1
65	436671-01	INSULATION	1	1	1	1	1
66	3A0979-01	INSULATION HOLDER	1	1	1	1	1
67	7P32-0408	T2 SCREW 4X8 SUS	2	2	2	2	2
68	4A0338-02	WIRE SADDLE	3	3	3	3	3
69	4A1553-01	EVACUATION TUBE	1	1	1	x1	
	4A2847-02					o1	1
70	—	—					
71	4A1419-02	COMPRESSOR KM-1600SRH3	1	1	1	1	1
72	4A2338-01	CLAMP	1	1	1	1	1

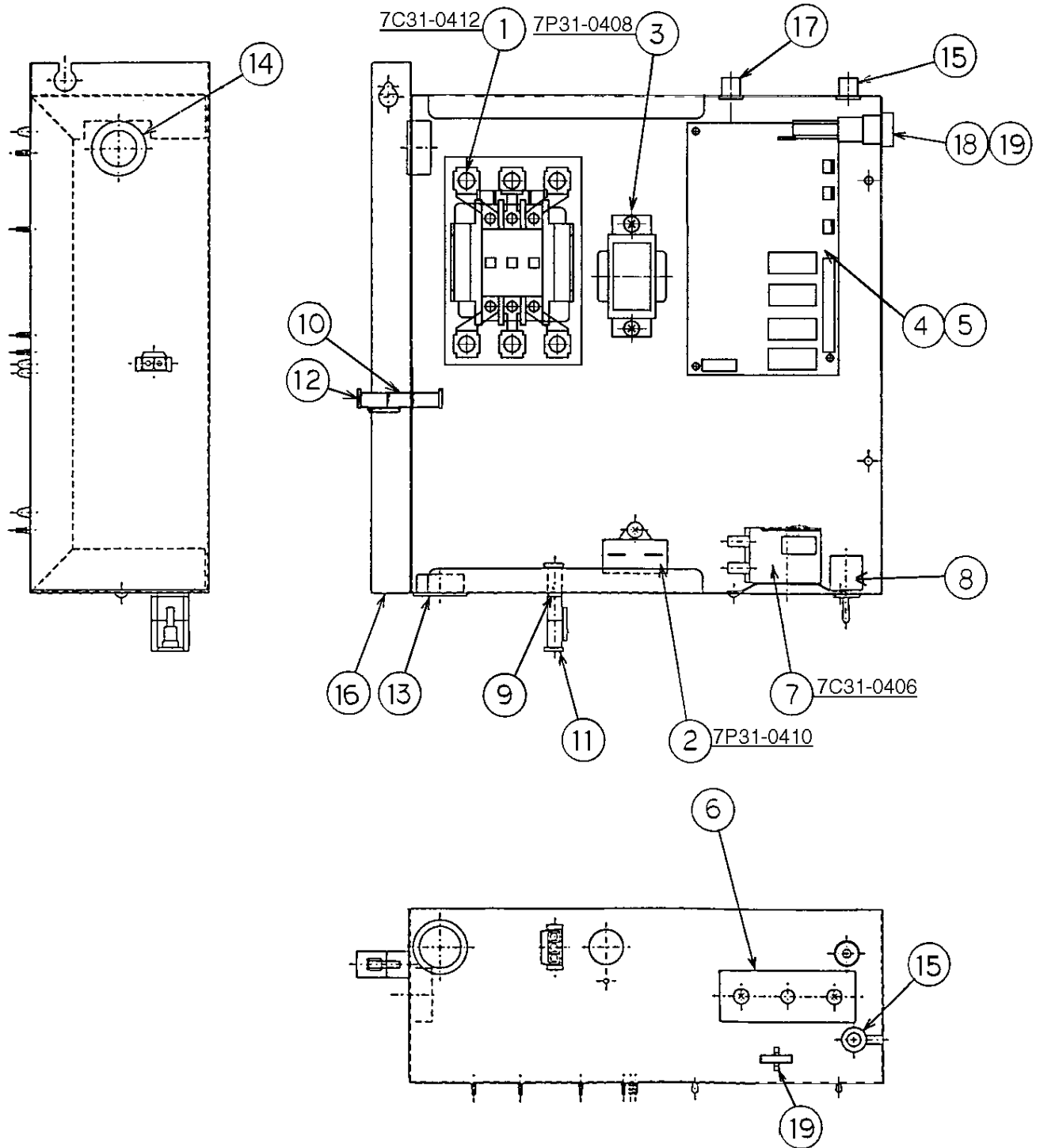


MODEL: KM-1600SWH, SWH3, SRH, SRH3 TITLE: C. WATER CIRCUIT								
INDEX NO.	DESCRIPTION	MATERIAL OR MODEL NUMBER	PART NUMBER	REQUIRED NUMBER				
				L-0	M-0	M-1	M-2	M-3 N-0
H	PUMP MOTOR ASSEMBLY	-	215692A01	1	1	1	1	1
	TRUSS HEAD SCREW	SS, 5X8	7C32-0508	2	2	2	2	2
1	WATER SUPPLY PIPE	COPPER	4A0768G01	1	1	1	1	1
	T2 SCREW	4X8	7P31-0408	2	2	2	2	2
2	RUBBER GASKET	SI.R	413854-03	1	1	1	1	1
3	WATER VALVE BRACKET	GS	321443-01	1	1	1	1	1
	T2 SCREW	4X8	7P31-0408	1	1	1	1	1
4	WATER VALVE	J248-030	3U0111-01	1	1	1	1	1
5	DISTRIBUTOR HOSE (A)	SANTOPRENE	325738-01	1	1	1	1	1
6	JOINT PIPE	ABS	439297-01	1	1	1	1	1
7	DISTRIBUTOR HOSE (B)	SANTOPRENE	325738-02	1	1	1	1	1
8	-	-	-					
9	HOSE CLAMP	SS, 13.5 mm	427443-07	6	6	6	6	6
10	SPRAY TUBE	ABS	437049G01	6	6	6	6	6
11	SPRAY GUIDE (A)	PE	208586-01	18	18	18	18	18
12	SEPARATOR (A)	ABS	213622-01	2	2	2	2	2
13	SEPARATOR (B)	ABS	2A0100-01	2	2	2	2	2
14	CUBE GUIDE	ABS	214243-01	2	2	2	2	2
15	HOSE (A)	EPDM	435091-01	1	1	1	1	1
16	DISTRIBUTOR	ABS	438276G01	1	1	1	1	1
17	HOSE CLAMP	SS, 32 mm	427443-09	5	5	5	5	5
18	DISTRIBUTOR HOSE (C)	EPDM	323985-01	2	2	2	2	2
19	HOSE CLAMP	SS, 25 mm	427443-03	11	11	11	11	11
20	HOSE (B)	EPDM	436599-01	1	1	1	1	1
21	VALVE HOUSING - DRAIN	ABS	323613-01	1	1	1	1	1
	T2 SCREW	4X10, SS	7P32-0410	3	3	3	3	3
22	SPRING	SS	322110-01	1	1	1	1	1
23	VALVE SHEET	EPDM	433705-01	1	1	1	1	1
24	OVERFLOW CAP	PE	323978-01	1	1	1	1	1
25	JOINT - OVERFLOW	ABS	323923-02	1	1	1	1	1

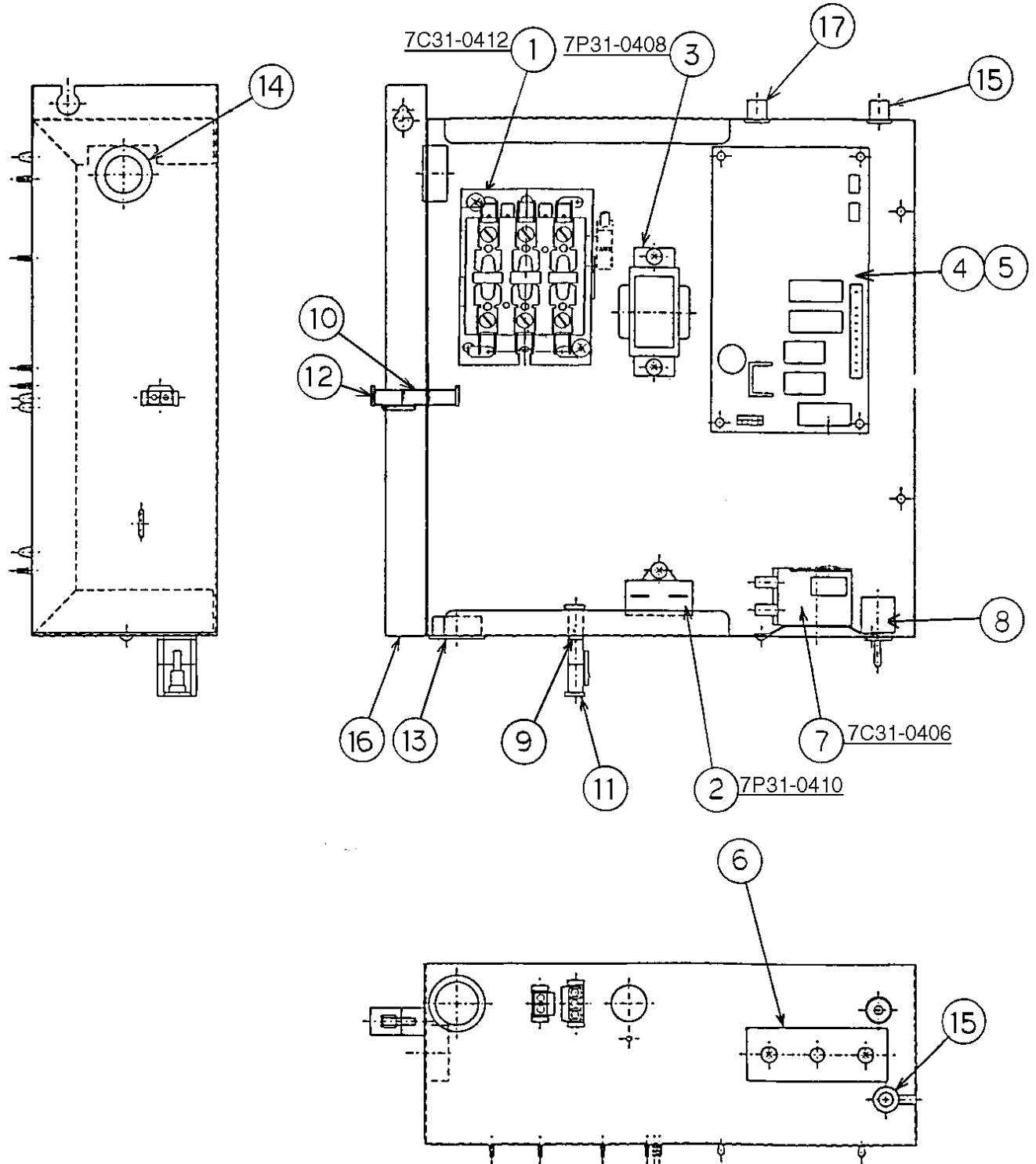
MODEL: KM-1600SWH, SWH3, SRH, SRH3 TITLE: C. WATER CIRCUIT								
INDEX NO.	DESCRIPTION	MATERIAL OR MODEL NUMBER	PART NUMBER	REQUIRED NUMBER				
				L-0	M-0	M-1	M-2	M-3 N-0
26	BUSHING	SB-1500-21	420470-06	2	2	2	2	2
27	FLOAT SW. BRACKET	SS	3A0449-01	1	1	1	1	1
	T2 SCREW	4X8, SS	7P32-0408	2	2	2	2	2
28	CONNECTOR - FLOAT SWITCH	EPDM	426799-04	1	1	1	1	1
29	FLOAT SWITCH	FS-0893B-1	4A0886-01	1	1	1	1	1
	TRUSS HEAD SCREW	4X10, SS	7C32-0410	2	2	2	2	2
30	CLAMP	No.4253	427902-05	1	1	1	1	1
31	"O" RING	1AP18	7611-P018	1	1	1	1	1
32	"O" RING	1AG35	7611-G035	1	1	1	1	1
33	DRAIN HOSE	EPDM	324757-01	1	1	1	1	1
34	DRAIN	AC	309246-01	1	1	1	1	1
35	"O" RING	1AP15	7611-P015	1	1	1	1	1
36	DISTRIBUTOR (C)	ABS	439238-01	1	1	1	1	1
37	JOINT HOSE	EPDM	439296-01	1	1	1	1	1
38	DISTRIBUTOR (B)	ABS	439239-01	1	1	1	1	1
39	FLANGE	EPDM	439267-02	1	1	1	1	1
40	BY-PASS HOSE	EPDM	439237-02	1	1	1	1	1
41	MALE ADAPTOR	ABS, (442137A01)	325826-01	2	2	2	2	2
42	"O" RING	1AP18, (442137A01)	7611-P018	2	2	2	2	2
43	BALL VALVE	PVC, (442137A01)	439293-01	1	1	1	1	1
44	VALVE HOLDER	GS	3A1178-01	1	1	1	1	1
	TRUSS HEAD SCREW	4X8	7C31-0408	3	3	3	3	3
45	MICRO SWITCH	V3L-111-D8	4A0365-01	1	1	x1		
		-	4A2546-01			o1	1	1
46	TAPPING SCREW	3X14	431415-02	2	2	2	2	2
47	JOINT HOSE	EPDM	439309-02	1	1	1	1	1
	T2 SCREW	4X8	7P31-0408	1	1	1	1	1

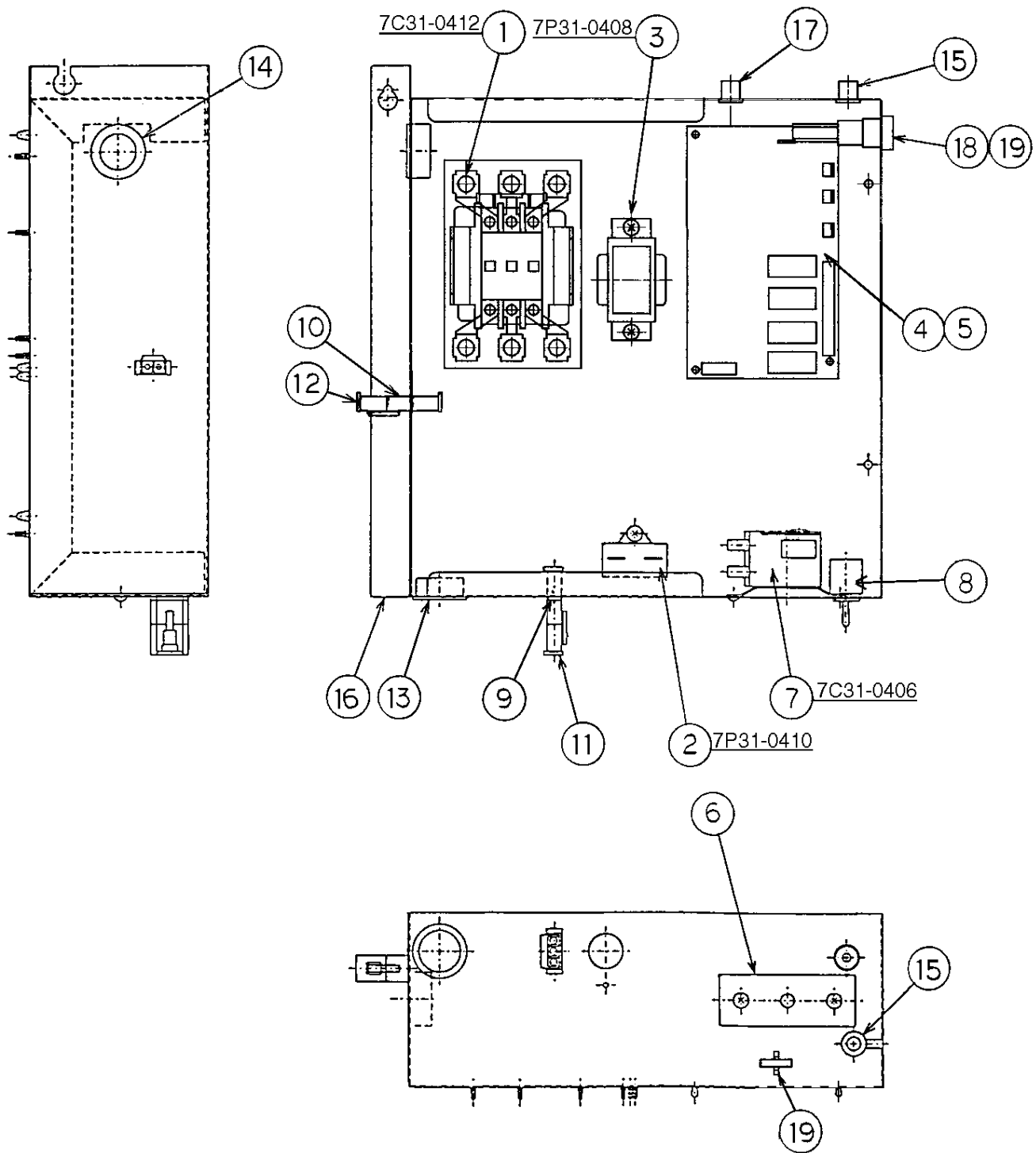
MODEL: KM-1600SWH, SWH3, SRH, SRH3 TITLE: C. WATER CIRCUIT								
INDEX NO.	DESCRIPTION	MATERIAL OR MODEL NUMBER	PART NUMBER	REQUIRED NUMBER				
				L-0	M-0	M-1	M-2	M-3 N-0
48	HANDLE	JH1352	215383-01	1	1	1	1	1
	T2 SCREW	4X8	7P31-0408	1	1	1	1	1
49	CORNER INSULATION (A)	PE	439376-01	1	1	1	1	1
50	CORNER INSULATION (B)	PE	439392-01	1	1	1	1	1
51	FLOAT SWITCH STOP	SS	4A0137-01	1	1	1	1	1
52	VINYL HOSE	L=170	7716-2732	1	1	1	1	1
53	VINYL HOSE	L=230	7716-2732	1	1	1	1	1
54	INSULATION HOSE	L=80	7762-3555	1	1	1	1	1
55	INSULATION HOSE	L=120	7762-3555	1	1	1	1	1
56	INSULATION HOSE	L=150	7762-3555	1	1	1	1	1
57	SILICONE HOSE	L=140	7730I3812	1	1	1	1	1
58	SILICONE HOSE	L=390	7730I3896	1	1	1	1	1
59	WIRE SADDLE	VWS4238-C	4A0338-02	8	8	8	8	8



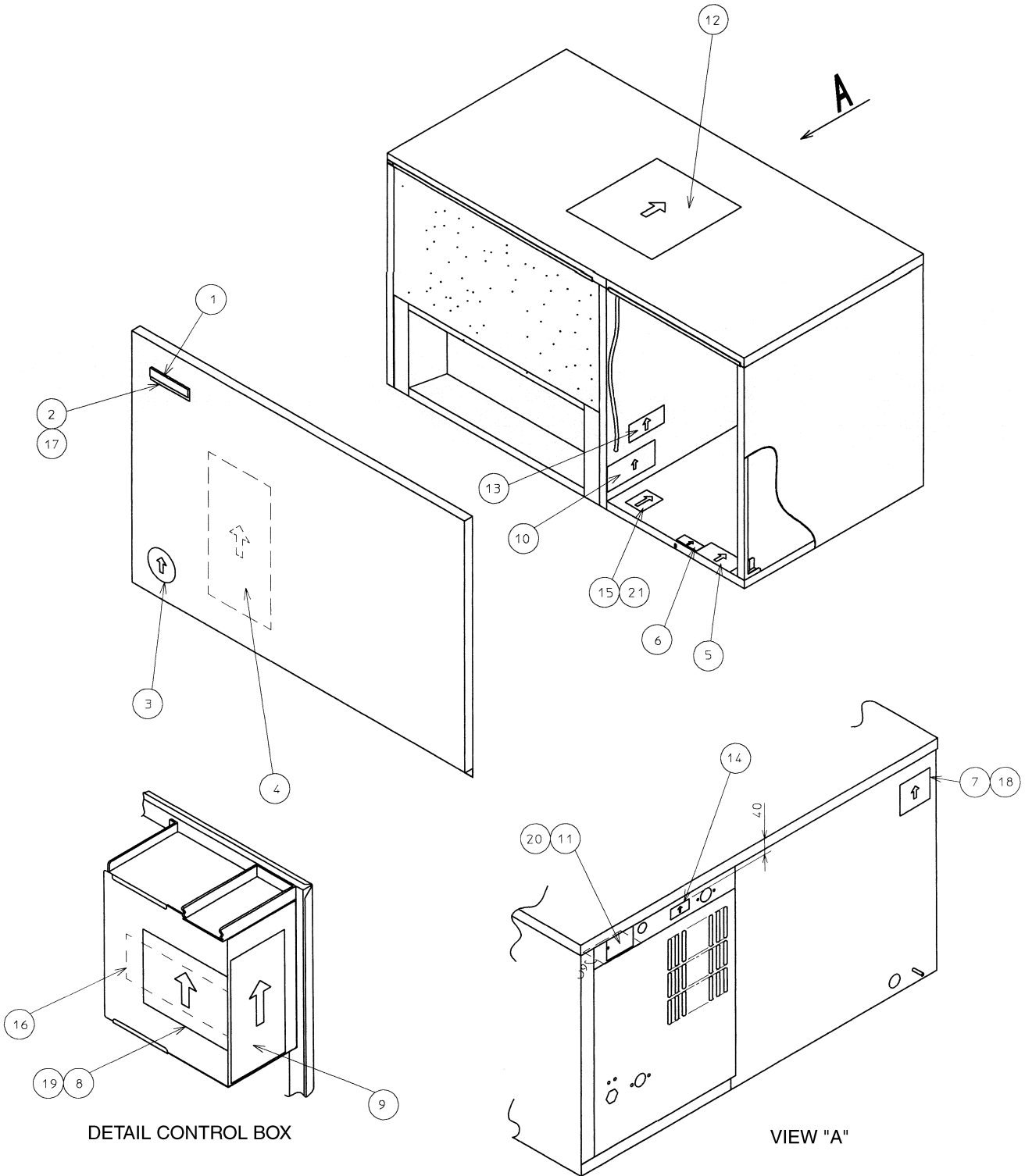


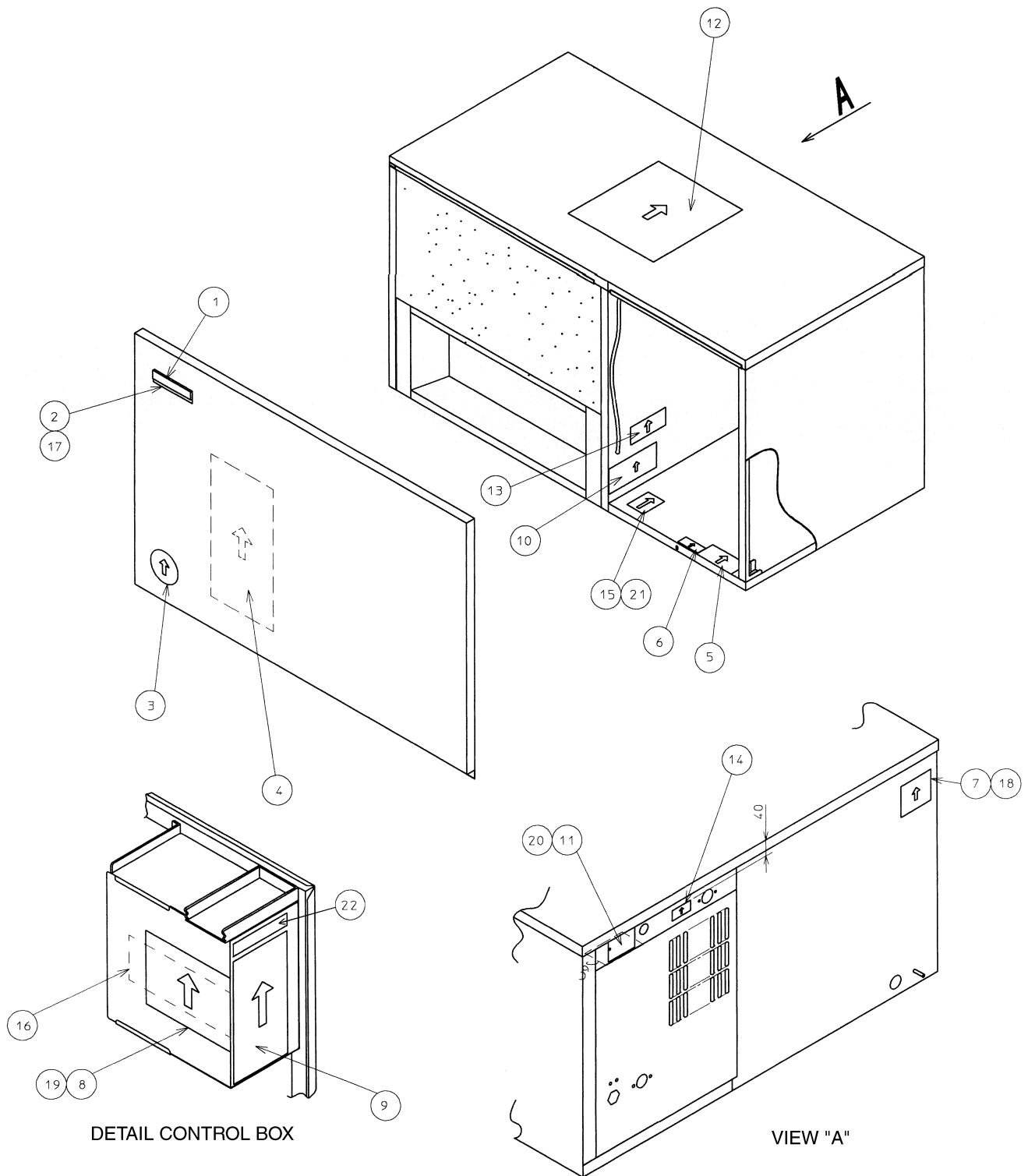
KM-1600SWH, SWH3		TITLE: D. CONTROL BOX ASSEMBLY						
INDEX NO.	DESCRIPTION	MATERIAL OR MODEL NUMBER	PART NUMBER	REQUIRED NUMBER				
				L-0	M-0	M-1	M-2	M-3 N-0
1	MAGNETIC CONTACTOR	A77-309040A-226	4A0794-01	1	1	1	1	1
	TRUSS HEAD SCREW	4X12	7C31-0408	2	2	2	2	2
2	CAPACITOR	250V, 10MFD	443192-01	1	1	1	1	1
	T2 SCREW	4X10	7P31-0410	2	2	2	2	2
3	TRANSFORMER	26D285H	3A0172-01	1	1	1	1	1
	T2 SCREW	4X8	7P31-0408	2	2	2	2	2
4	CONTROLLER BOARD		2A1410-01	1	1	1	1	1
5	BOARD SUPPORT	CBLS37-M	4A0336-03	6	6	6	6	6
6	CONTROL LABEL	PES FILM	4A1758-01	1	1	1	1	1
7	THERMOSTAT	A30-3842-00	4A0824-02	1	1	1	x1	
		-	4A2879-02				o1	1
	TRUSS HEAD SCREW	4X6	7C31-0406	2	2	2	2	2
8	TOGGLE SWITCH	7563K6	443119-01	1	1	1	1	1
9	3P PLUG HOUSING	3191-03P	412832-06	1	1	1	1	1
10	2P PLUG HOUSING	3190-02P (RED)	412832-07	1	1	1	1	1
11	3P RECEPTACLE HOUSING	3191-03R1	412831-06	1	1	1	1	1
12	2P RECEPTACLE HOUSING	3191-02R1 (RED)	412831-07	1	1	1	1	1
13	BUSHING	SB-1093-15	420470-03	1	1	1	1	1
14	BUSHING	SB-1093-13	420470-12	1	1	1	1	1
15	BUSHING	OCB-500	428394-02	2	2	2	2	2
16	CONTROL BOX	GS	2A1082G02	1	1	1	1	-
		GS	2A2524G01					1
17	BUSHING	OCB-875	428394-04	1	1	1	1	1
18	FUSE HOLDER	-	4A0892-01					1
19	FUSE	-	4A0893-07					2



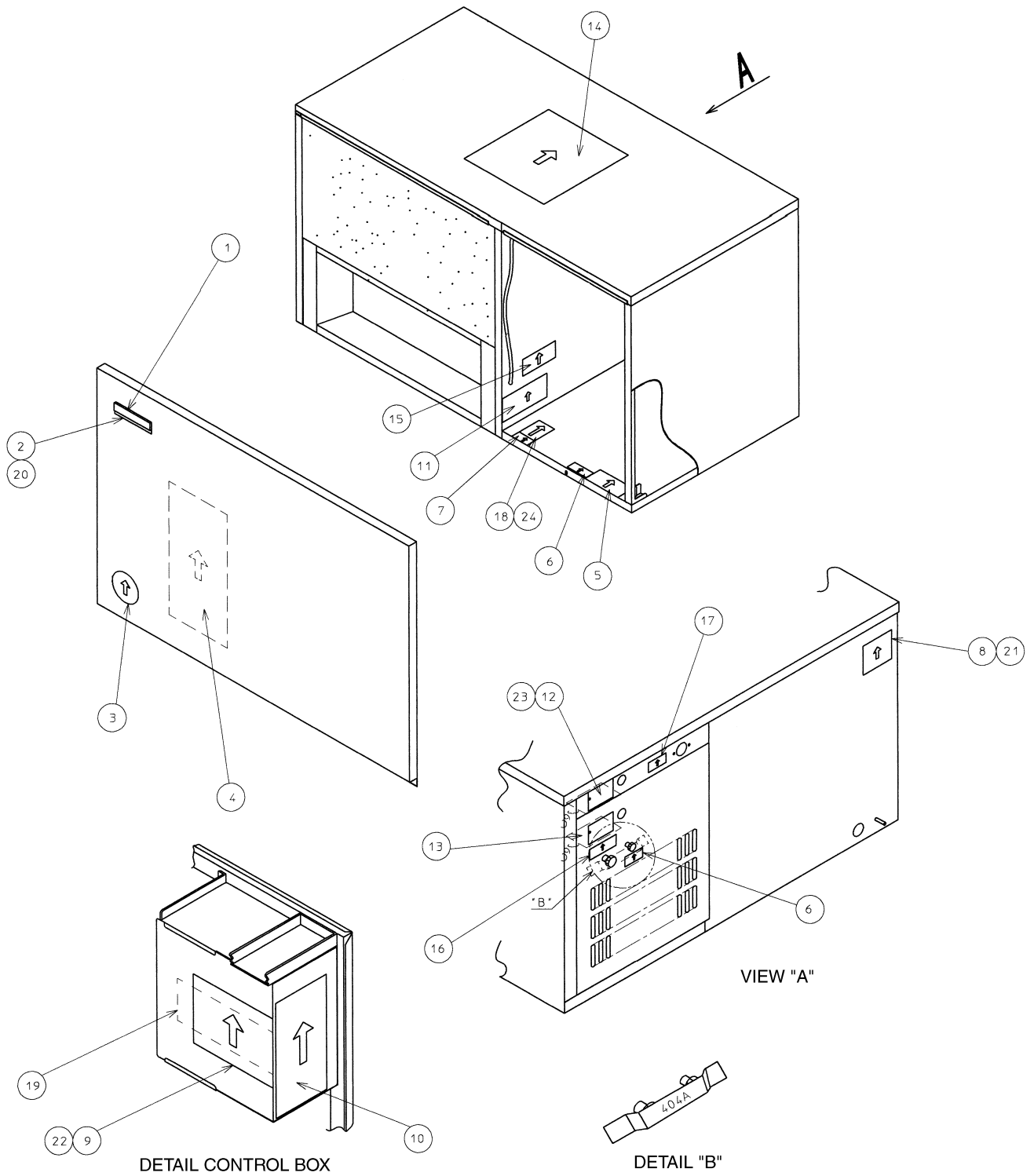


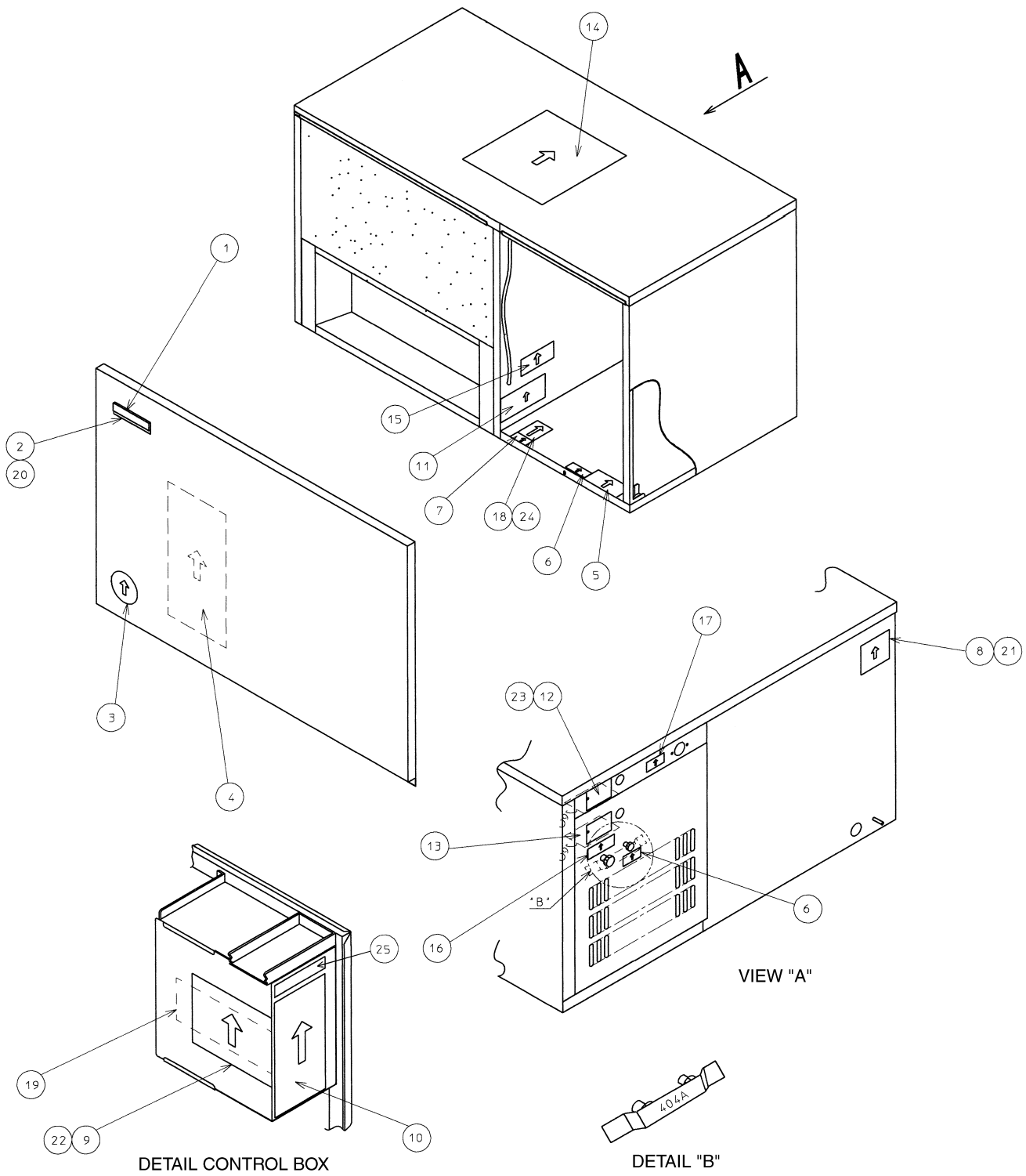
KM-1600SRH, SRH3		TITLE: D. CONTROL BOX ASSEMBLY						
INDEX NO.	DESCRIPTION	MATERIAL OR MODEL NUMBER	PART NUMBER	REQUIRED NUMBER				
				L-0	M-0	M-1	M-2	N-0
1	MAGNETIC CONTACTOR	A77-309040A-226	4A0794-01	1	1	1	1	1
	TRUSS HEAD SCREW	4X12	7C31-0408	2	2	2	2	2
2	CAPACITOR	250V, 10MFD	443192-01	1	1	1	1	1
	T2 SCREW	4X10	7P31-0410	2	2	2	2	2
3	TRANSFORMER	26D285H	3A0172-01	1	1	1	1	1
	T2 SCREW	4X8	7P31-0408	2	2	2	2	2
4	CONTROLLER BOARD		2A1410-01	1	1	1	1	1
5	BOARD SUPPORT	CBLS37-M	4A0336-03	6	6	6	6	6
6	CONTROL LABEL	PES FILM	4A1758-01	1	1	1	1	1
7	THERMOSTAT	A30-3842-00	4A0824-02	1	1	1	x1	
		-	4A2879-02				o1	1
	TRUSS HEAD SCREW	4X6	7C31-0406	2	2	2	2	2
8	TOGGLE SWITCH	7563K6	443119-01	1	1	1	1	1
9	3P PLUG HOUSING	3191-03P	412832-06	1	1	1	1	1
10	2P PLUG HOUSING	3190-02P (RED)	412832-07	1	1	1	1	1
11	3P RECEPTACLE HOUSING	3191-03R1	412831-06	1	1	1	1	1
12	2P RECEPTACLE HOUSING	3191-02R1 (RED)	412831-07	1	1	1	1	1
13	BUSHING	SB-1093-15	420470-03	1	1	1	1	1
14	BUSHING	SB-1093-13	420470-12	1	1	1	1	1
15	BUSHING	OCB-500	428394-02	2	2	2	2	2
16	CONTROL BOX	GS	2A1082G02	1	1	1	-	
		GS	2A2524G01				1	1
17	BUSHING	OCB-875	428394-04	1	1	1	1	1
18	FUSE HOLDER	-	4A0892-01				1	1
19	FUSE	-	4A0893-07				2	2





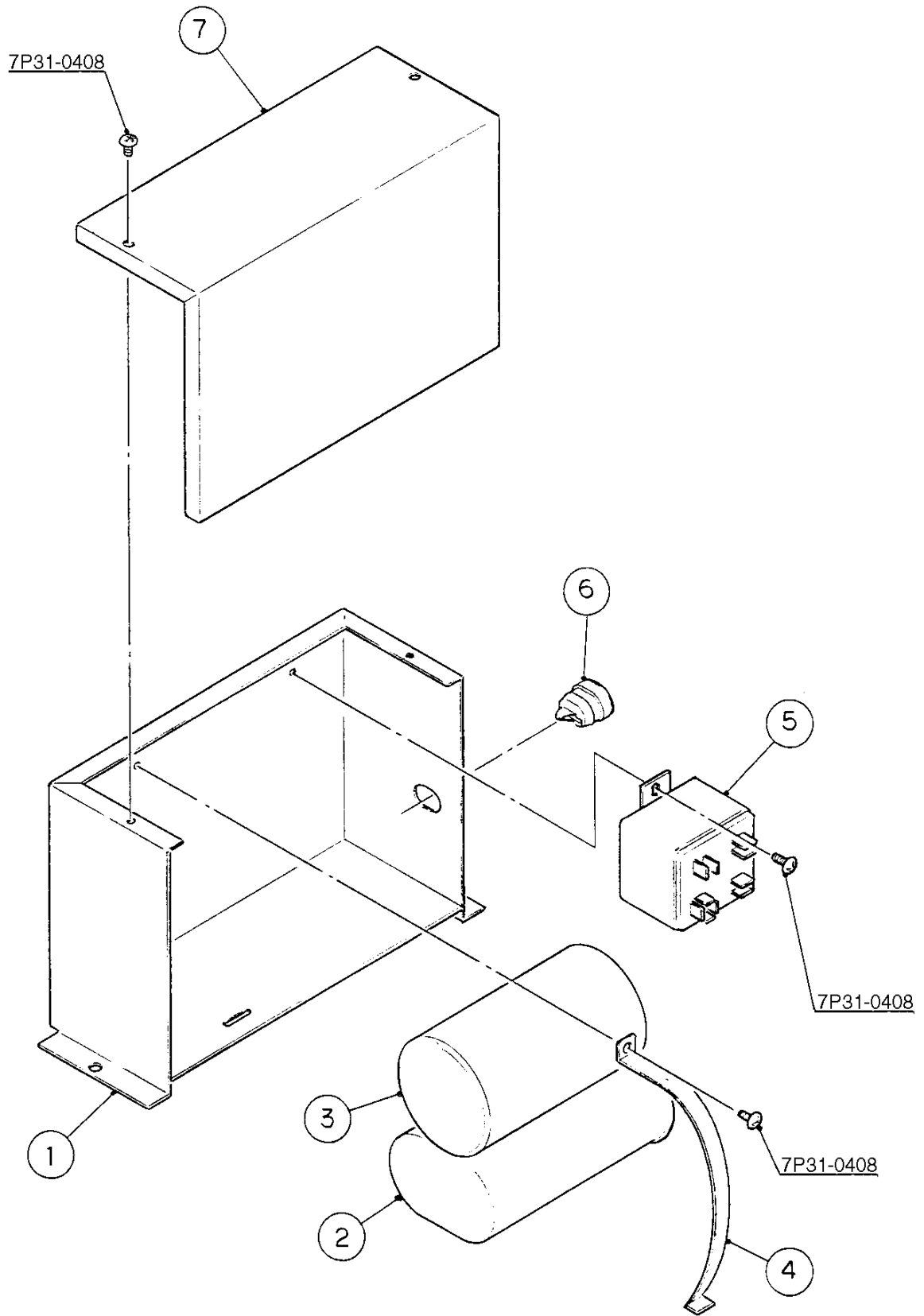
MODEL: KM-1600SWH, SWH3 TITLE: E. LABEL LOCATION								
INDEX NO.	DESCRIPTION	MATERIAL OR MODEL NUMBER	PART NUMBER	REQUIRED NUMBER				
				L-0	M-0	M-1	M-2	M-3 N-0
1	EMBLEM	ABS	4A0560-01	1	1	1	1	1
2	MODEL NUMBER LABEL (SWH)	PETP FILM	4A2356-15	1	1	1	1	1
3	LABEL - PENGUIN (R)	PETP FILM	4A0526-01	1	1	1	1	1
4	MAINTENANCE LABEL	PVC FILM	326275-01	1	1	1	1	x1
		PVC FILM	3A1770-01					o1
5	CAUTION LABEL (K)	PVC FILM	439150-01	1	1	1	1	1
6	LABEL - R404A	PES FILM	4A0960-01	1	1	1	1	1
7	NAMEPLATE (SWH)	PES FILM	4A2492-01	1	1	1	1	1
8	WIRING LABEL (SWH)	PVC FILM	3A1002-01	1	1	1	1	-
		PVC FILM	3A2455-01					1
9	MANUAL LABEL	PVC FILM	324476-01	1	1	1	1	1
10	MANUAL LABEL - BIN CONTROL	PVC FILM	324477-01	1	1	1	1	1
11	TAG - WARNING: ELECTRICAL CONNECTION (SWH)	PAPER	428430-01	1	1	1	1	1
12	INSTRUCTION SHEET	PAPER	2A2232-01	1	1	1	1	1
13	OPERATION LABEL - VALVE	PVC FILM	439541-01	1	1	1	1	1
14	INSTRUCTION LABEL	PVC FILM	444575-01	1	1	1	1	1
15	RATING LABEL (SWH)	-	4A2482-01	1	1	1	1	1
16	LABEL – CONTROL BOARD	-	3A1272-01	1	1	1	1	1
17	MODEL NUMBER LABEL (SWH3)	PETP FILM	4A2356-16	1	1	1	1	1
18	NAMEPLATE (SWH3)	PES FILM	4A2494-01	1	1	1	1	1
		PVC FILM	3A0991-01	1	1	1	1	-
19	WIRING LABEL (SWH3)	PVC FILM	3A0991-01	1	1	1	1	-
		PVC FILM	3A2394-01					1
20	TAG - WARNING: ELECTRICAL CONNECTION (SWH3)	PAPER	428479-01	1	1	1	1	1
21	RATING LABEL (SWH3)	-	4A2482-01	1	1	1	1	1
22	LABEL FUSE	-	4A2817-01					1





MODEL: KM-1600SRH, SRH3 TITLE: E. LABEL LOCATION								
INDEX NO.	DESCRIPTION	MATERIAL OR MODEL NUMBER	PART NUMBER	REQUIRED NUMBER				
				L-0	M-0	M-1	M-2	N-0
1	EMBLEM	ABS	4A0560-01	1	1	1	1	1
2	MODEL NUMBER LABEL (SRH)	PETP FILM	4A2356-13	1	1	1	1	1
3	LABEL - PENGUIN (R)	PETP FILM	4A0526-01	1	1	1	1	1
4	MAINTENANCE LABEL	PVC FILM	326275-01	1	1	1	x1	
		PVC FILM	3A1770-01				o1	1
5	CAUTION LABEL (K)	PVC FILM	439150-01	1	1	1	1	1
6	LABEL - R404A	PES FILM	4A0960-01	2	2	2	2	2
7	LABEL - CHARGE	PES FILM	4A1399-05	1	1	1	1	1
8	NAMEPLATE (SRH)	PES FILM	4A2493-01	1	1	1	1	1
9	WIRING LABEL (SRH)	PVC FILM	3A1002-01	1	1	1	-	
		PVC FILM	3A2455-01				1	1
10	MANUAL LABEL	PVC FILM	324476-01	1	1	1	1	1
11	MANUAL LABEL - BIN CONTROL	PVC FILM	324477-01	1	1	1	1	1
12	TAG - WARNING: ELECTRICAL CONNECTION (SRH)	PAPER	428430-01	1	1	1	1	1
13	TAG - FAN MOTOR LEADS	PAPER	4A1494-01	1	1	1	1	1
14	INSTRUCTION SHEET	PAPER	2A2232-01	1	1	1	1	1
15	OPERATION LABEL - VALVE	PVC FILM	439541-01	1	1	1	1	1
16	CAUTION - REMOTE LABEL	PVC FILM	4A1491-01	1	1	1	1	1
17	INSTRUCTION LABEL	PVC FILM	444575-01	1	1	1	1	1
18	RATING LABEL (SRH)	-	4A2483-01	1	1	1	1	1
19	LABEL – CONTROL BOARD	-	3A1272-01	1	1	1	1	1
20	MODEL NUMBER LABEL (SRH3)	PETP FILM	4A2356-14	1	1	1	1	1
21	NAMEPLATE (SRH3)	PES FILM	4A2495-01	1	1	1	1	1
22	WIRING LABEL (SRH3)	PVC FILM	3A0991-01	1	1	1	-	
		PVC FILM	3A2394-01				1	1

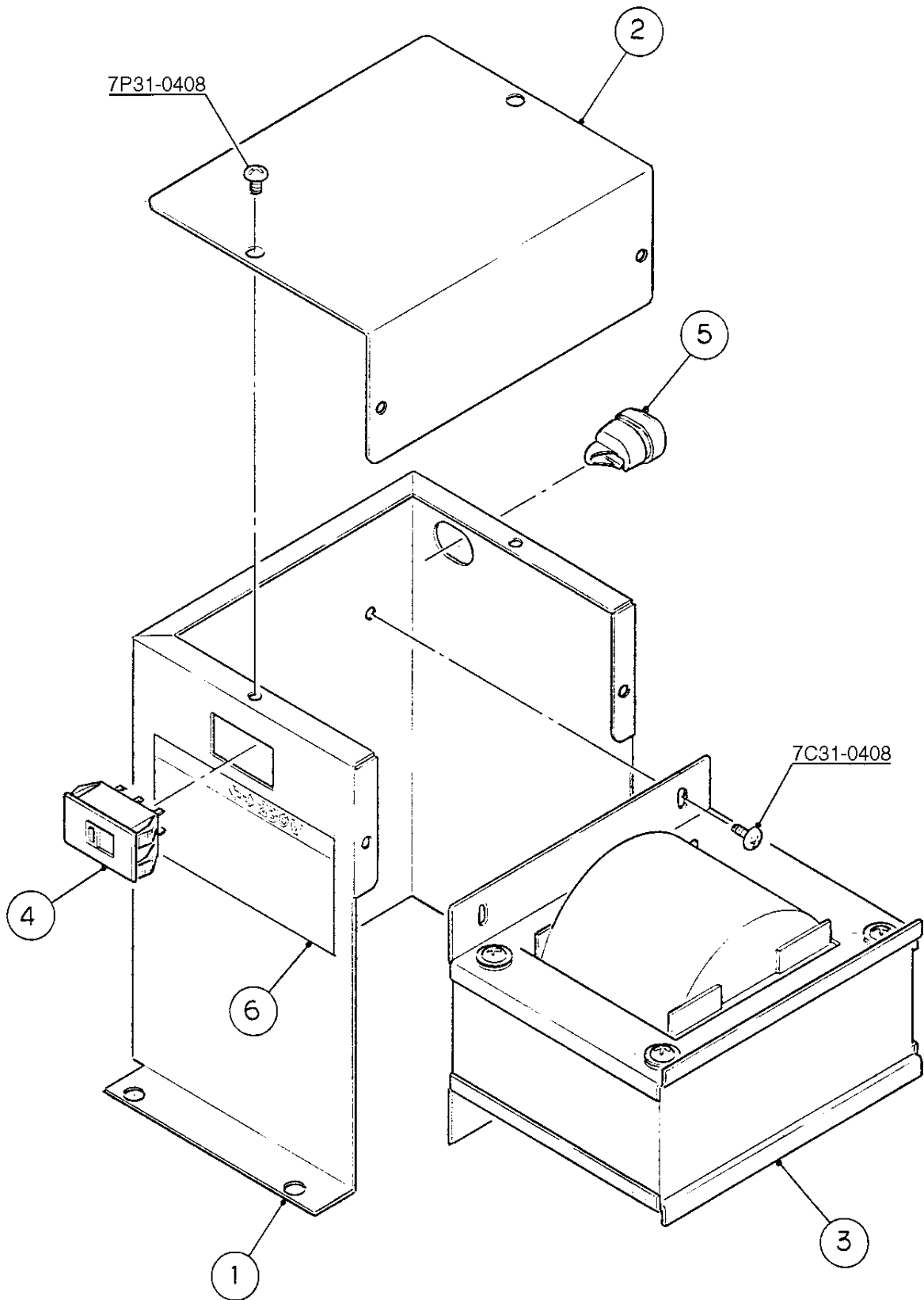
MODEL: KM-1600SRH, SRH3 TITLE: E. LABEL LOCATION								
INDEX NO.	DESCRIPTION	MATERIAL OR MODEL NUMBER	PART NUMBER	REQUIRED NUMBER				
				L-0	M-0	M-1	M-2	N-0
23	TAG - WARNING: ELECTRICAL CONNECTION (SRH3)	PAPER	438479-01	1	1	1	1	1
24	RATING LABEL (SRH3)	-	4A2485-01	1	1	1	1	1
25	LABEL FUSE	-	4A2817-01					1



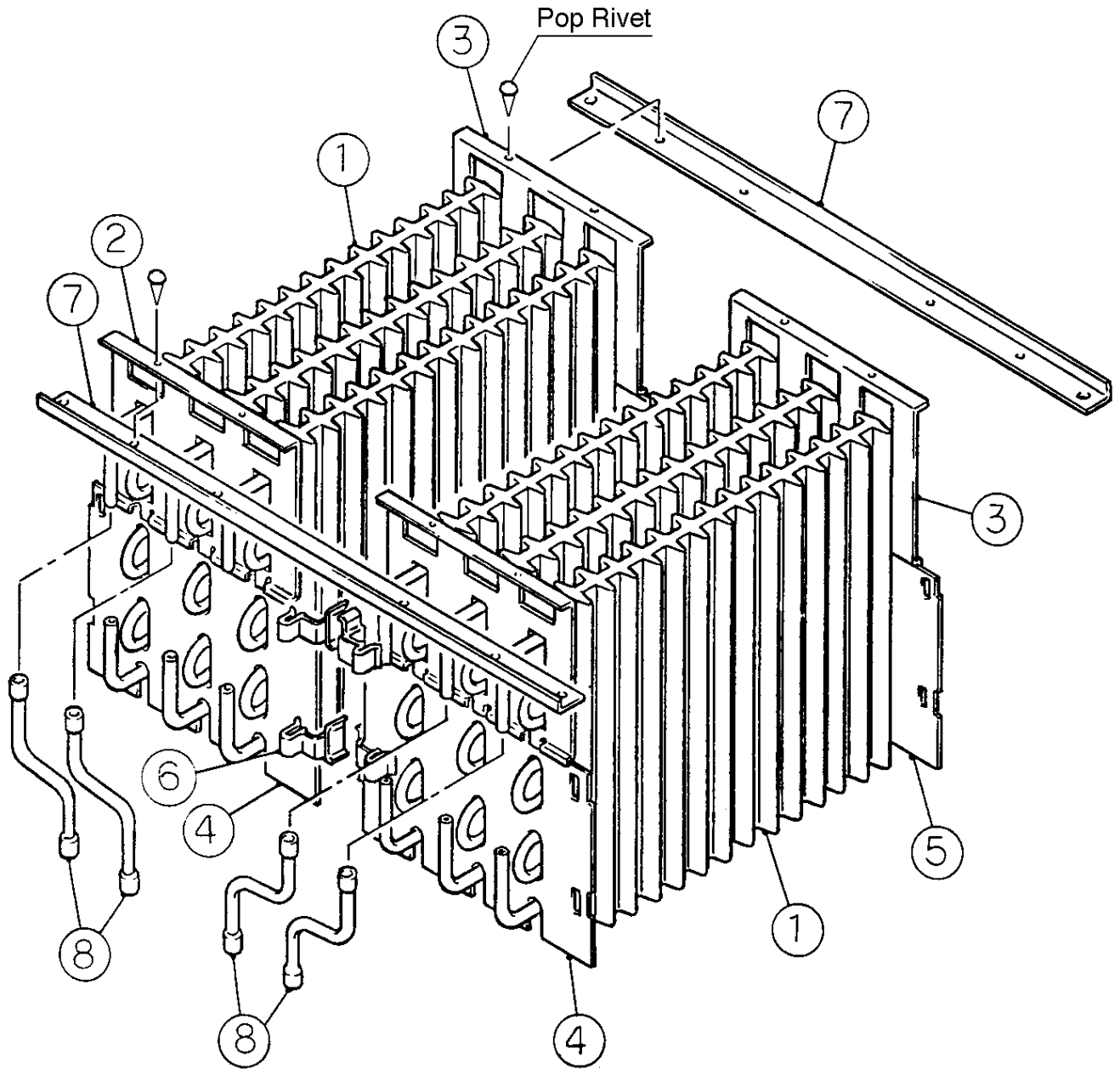
MODEL: KM-1600SWH, SRH TITLE: F. CAPACITOR BOX ASSEMBLY								
INDEX NO.	DESCRIPTION	MATERIAL OR MODEL NUMBER	PART NUMBER	REQUIRED NUMBER				
				L-0	M-0	M-1	M-2	M-3 N-0
1	CAPACITOR BOX	GS	326124-02	1	1	1	1	1
2	CAPACITOR	40MFD, 370V	439943-09	1	-			
	RUN CAPACITOR	40MFD, 370V	3A2005-13		1	1	1	1
3	CAPACITOR - STARTING	189-227MFD, 330V	3A0076-12	1	1	1	1	1
4	STRAP	GS	434580-08	1	-			
		GS	4A2662-03		1	1	1	1
	T2 SCREW	4X8	7P31-0408	1	1	1	1	1
5	STARTER	3ARR3CT10S 5	4A1107-09	1	1	1	1	1
	T2 SCREW	4X8	7P31-0408	1	1	1	1	1
6	BUSHING	SR-30-1	420472-05	1	1	1	1	1
7	CAPACITOR BOX COVER	GS	326125-01	1	1	1	1	1
	T2 SCREW	4X8	7P31-0408	2	2	2	2	2

HA

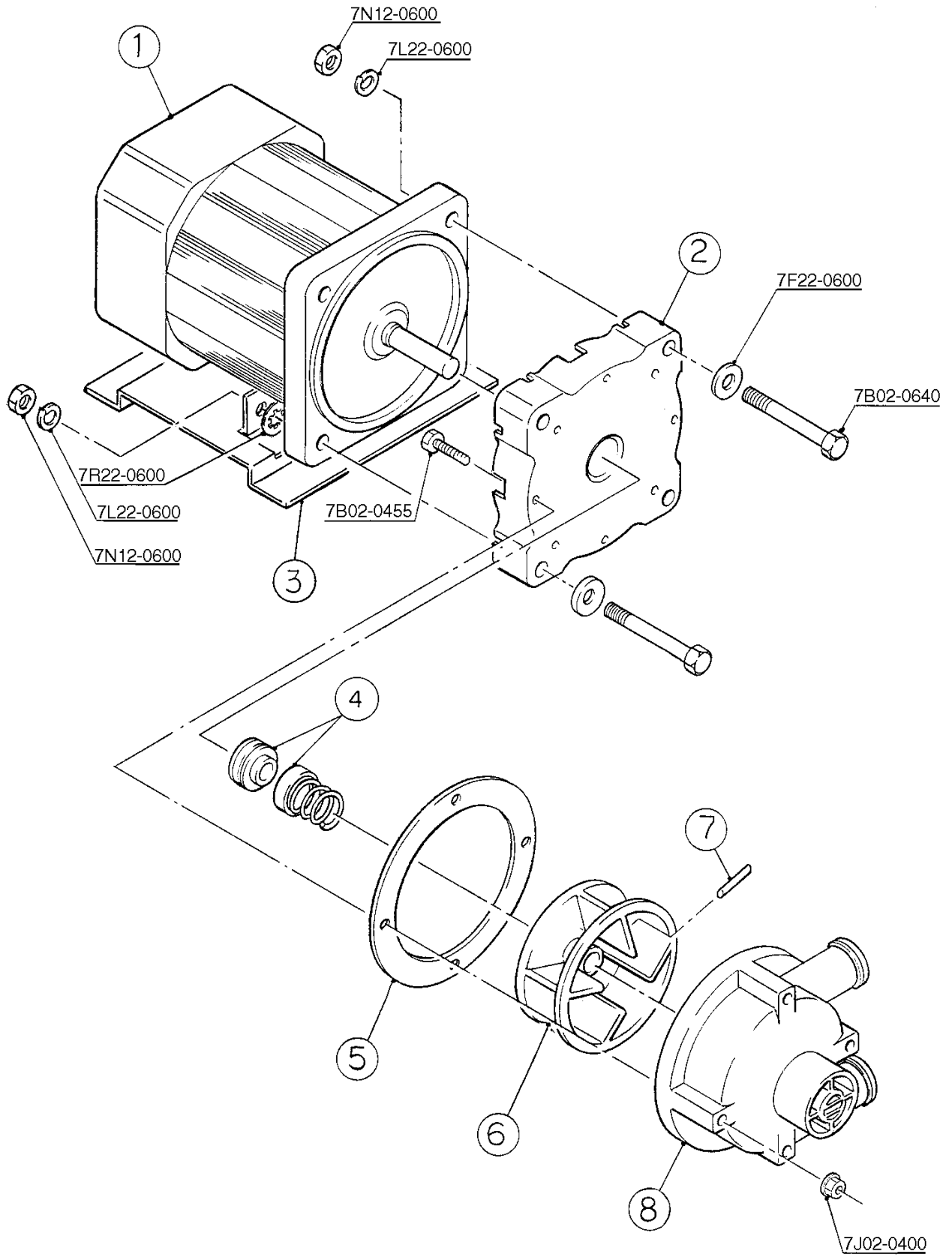
KM-1600SWH3, SRH3 F. TRANSFORMER BOX ASSEMBLY L-0, M-0, M-1, M-2, M-3, N-0



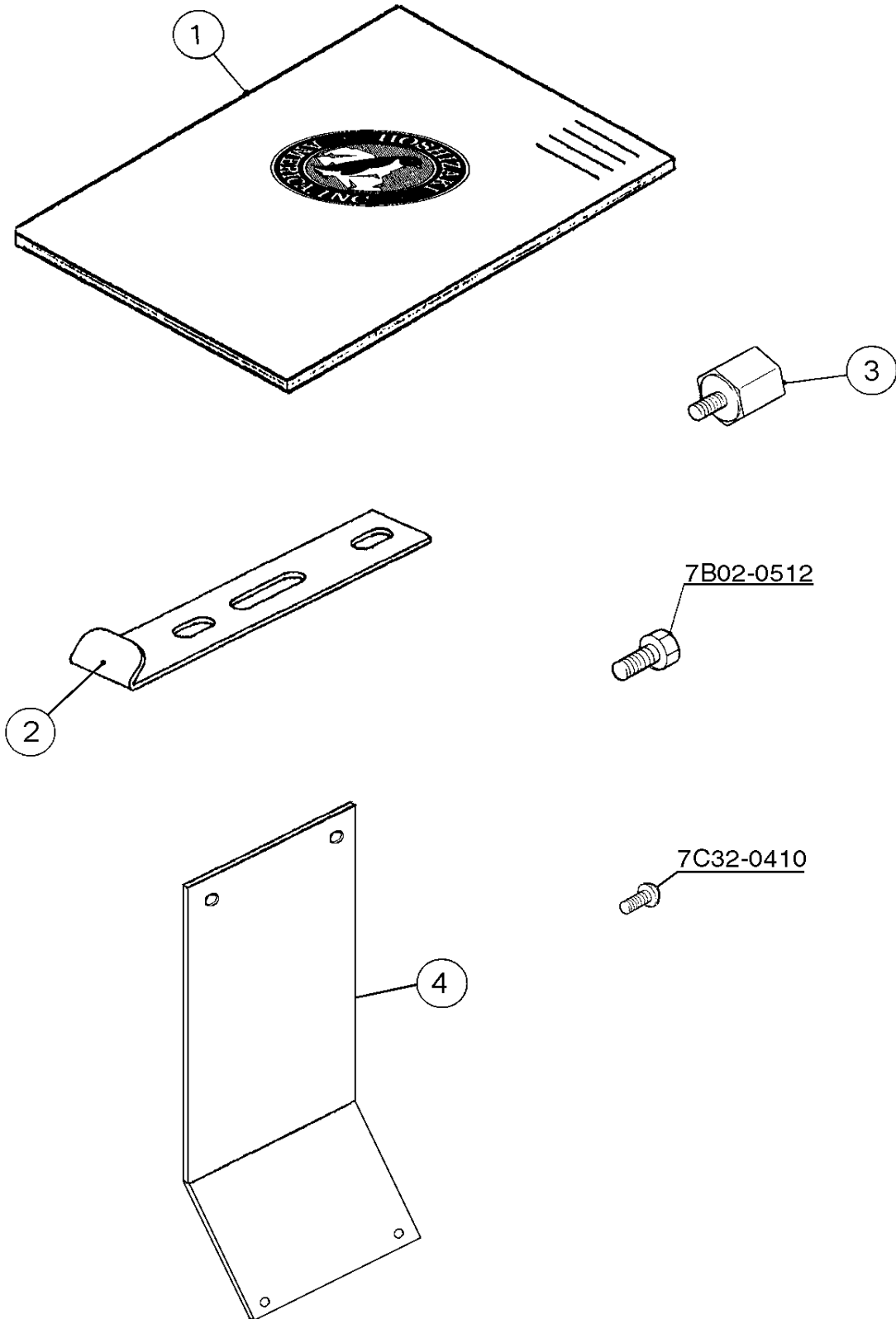
MODEL: KM-1600SWH3, SRH3 TITLE: F. TRANSFORMER BOX ASSEMBLY								
INDEX NO.	DESCRIPTION	MATERIAL OR MODEL NUMBER	PART NUMBER	REQUIRED NUMBER				
				L-0	M-0	M-1	M-2	M-3 N-0
1	TRANSFORMER BOX	-	3A1101-01	1	1	1	1	1
2	TRANSFORMER BOX COVER	40MFD, 440V	438467-01	1	1	1	1	1
	T2 SCREW	4X8	7P31-0408	4	4	4	4	4
3	TRANSFORMER		4A0817-01	1	1	1	1	1
	TRUSS HEAD SCREW	4X8	7C31-0408	4	4	4	4	4
4	SLIDE SWITCH		4A1477-01	1	1	1	1	1
5	BUSHING	SR-30-1	420472-03	1	1	1	1	1
6	MANUAL LABEL - TAP SWITCH	PVC FILM	439423-01	1	1	1	1	1



MODEL: KM-1600SWH, SWH3, SRH, SRH3 TITLE: G. EVAPORATOR								
INDEX NO.	DESCRIPTION	MATERIAL OR MODEL NUMBER	PART NUMBER	REQUIRED NUMBER				
				L-0	M-0	M-1	M-2	M-3 N-0
1	EVAPORATOR	(S-0533)	103444G02	6	6	6	6	6
2	EVAPORATOR BRACKET (A)	SS	323690-01	2	2	2	2	2
3	EVAPORATOR BRACKET (B)	SS	323691-01	2	2	2	2	2
4	END PLATE (A)	ABS	323692-01	2	2	2	2	2
5	END PLATE (B)	ABS	323693-01	2	2	2	2	2
6	HOOK	PE	324152-01	8	8	8	8	8
7	EVAPORATOR BRACKET	GS	436582-01	2	2	2	2	2
8	COPPER TUBE	COPPER	434137-01	4	4	4	4	4



MODEL: KM-1600SWH, SWH3, SRH, SRH3								
TITLE: H. PUMP MOTOR ASSEMBLY								
INDEX NO.	DESCRIPTION	MATERIAL OR MODEL NUMBER	PART NUMBER	REQUIRED NUMBER				
				L-0	M-0	M-1	M-2	M-3 N-0
1	PUMP MOTOR	M91A60SP201	2U0106-01	1	1	1	1	1
2	PUMP FLANGE	PC	215662-01	1	1	1	1	1
3	PUMP MOTOR BRACKET	SS	323904-01	1	1	1	1	1
	TOOTH WASHER	SS, M6	7R22-0600	2	2	2	2	2
	HEX HEAD BOLT	SS, 6X40	7B02-0640	4	4	4	4	4
	FLAT WASHER	SS, M6	7W22-0600	4	4	4	4	4
	SPLIT LOCK WASHER	SS, M6	7L22-0600	4	4	4	4	4
	NUT	SS, M6	7N12-0600	4	4	4	4	4
4	MECHANICAL SEAL	H5-PN, 8MM	428545-01	1	1	1	1	1
5	PACKING	EPDM	428547-01	1	1	1	1	1
6	IMPELLER	ABS	436584-01	1	1	1	1	1
7	PIN	SS	414102-01	1	1	1	1	1
8	PUMP HOUSING	ABS	213687-01	1	1	1	1	1
	HEX HEAD BOLT	SS, 4X55	7B02-0455	4	4	4	4	4
	FLANGE NUT	SS, M4	7J02-0400	4	4	4	4	4



MODEL: KM-1600SWH, SWH3, SRH, SRH3 TITLE: J. ACCESSORIES & PACKAGING								
INDEX NO.	DESCRIPTION	MATERIAL OR MODEL NUMBER	PART NUMBER	REQUIRED NUMBER				
				L-0	M-0	M-1	M-2	M-3 N-0
1	INSTRUCTION MANUAL	PAPER	91A1GE10A	1	1	1	1	1
2	UNIVERSAL BRACE	GS	4A0363-01	2	2	2	2	2
	HEX HEAD BOLT	5X12, SS	7B02-0512	4	4	4	4	4
3	THUMBSCREW	ABS, SS	415949G01	1	1	1	1	1
4	THERMOSTAT EXTENSION BRACKET	SS	3A0408-01	1	1	1	1	1
	TRUSS HEAD SCREW	4X10, SS	7C32-0410	2	2	2	2	2
	PACKAGING		2A0876A11	1	1	1	1	1
1	PALLET	-	2A0865-05	1	1	1	1	1
2	WOOD BLOCK – B	-	4A0004-02	3	3	3	3	3
3	CORNER POST	-	3A0788-08	2	2	2	2	2
4	WOOD BLOCK – C	-	4A0004-03	2	2	2	2	2
5	CORNER POST	-	3A0788-06	4	4	4	4	4
6	SIDE PROTECTOR	-	4A2304-01	3	3	3	3	3
7	CARTON	-	2A2125-07	1	1	1	1	1
8	SIDE PROTECTOR	-	4A2304-02	2	2	2	2	2