

NO. U1QC-988

ISSUED: JAN.08,1991

REVISED: JAN.31,1991



**HOSHIZAKI
STACKABLE CRESCENT CUBER**

**MODEL KM-1600SWB3
KM-1600SRB3**

PARTS LIST

Materials Abbreviations

PLASTIC

ABS	=	Acrylonitrile-butadiene-styrene
AC	=	Acetal copolymer
	=	Acetal
	=	Polyacetal
EVA	=	Ethylene vinyl acetate
PA	=	Polyamide = Nylon
PC	=	Polycarbonate
PE	=	Polyethylene
PES	=	Polyester
PETP	=	Polyethylene terephthalate = Tetlon
PP	=	Polypropyleneoride
PS	=	Polystyrene
PTFE	=	Polytetrafluoroethylene = Teflon
PUR	=	Polyurethane
PVC	=	Polyvinyl chloride

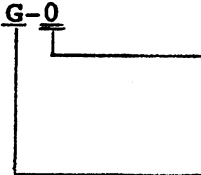
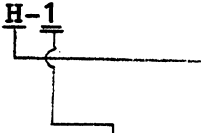
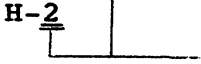
RUBBER

EPDM	=	EP rubber
NBR	=	Nitrile butadiene rubber
NR	=	Natural rubber
SI.R	=	Silicone rubber
Sy.R	=	Synthetic rubber

STEEL

G.S	=	Galvanized steel
S.S	=	Stainless steel

Auxiliary Code

Ex.1		The parts are unchanged after the preceding year. "G" is the seventh in alphabetical order. So, "G" shows "1987".
Ex.2		"H" is the eighth in alphabetical order. So, "H" shows "1988".
Ex.3		Every time the parts are changed in a year, this number increases.

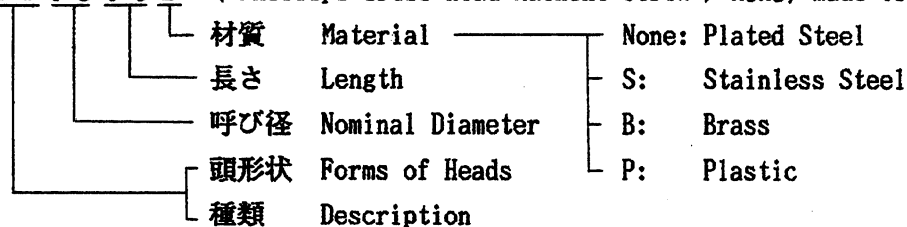
[Note]

—	=	Parts was erased.
X	=	Parts was erased. (Interchangeable)
○	=	New parts for " X " in the same Auxiliary Code.

FASTENER ABBREVIATION LIST

	Japanese	English
ST	トラス小ねじ	Phillips Truss Head Machine Screw
SP	ナベ小ねじ	Phillips Pan Head Machine Screw
SF	皿小ねじ	Phillips Flat Head Machine Screw
SS	組小ねじS	Phillips Pan Head Machine Screw with Split Lock Washer
SW	組小ねじSW	Phillips Pan Head Machine Screw with Split Lock Washer and Flat Washer
T1	T1ねじ	Phillips Truss Head Tapping Screw (Correspond to Type A)
T2	T2ねじ	Phillips Truss Head Tapping Screw (Correspond to Type B)
T3	T3ねじ	Phillips Truss Head Tapping Screw (Correspond to Type C)
FT	FTねじ	Phillips Truss Head Tapping Screw (Special)
BH	六角ボルト	Hexagon Head Bolt
BC	六角穴付きボルト	Socket Head Cap Screw
BS	組ボルトS	Hexagon Bolt with Split Lock Washer
BW	組ボルトSW	Hexagon Bolt with Split Lock Washer and Flat Washer
BF	フランジボルト	Hexagon Flange Bolt
WL	ばね座金	Split Lock Washer
WT	歯付き座金	External Tooth Washer
WF	平座金	Flat Washer
WS	波型座金	Spring Washer
NH	六角ナット	Hexagon Nut
NF	フランジナット	Hexagon Flange Nut
NC	袋ナット	Hexagon Cap Nut
NS	四角ナット	Square Nut
NW	ちょうナット	Wing Nut

Ex. ST0308S (Phillips Truss Head Machine Screw, M3x8, made of stainless steel)



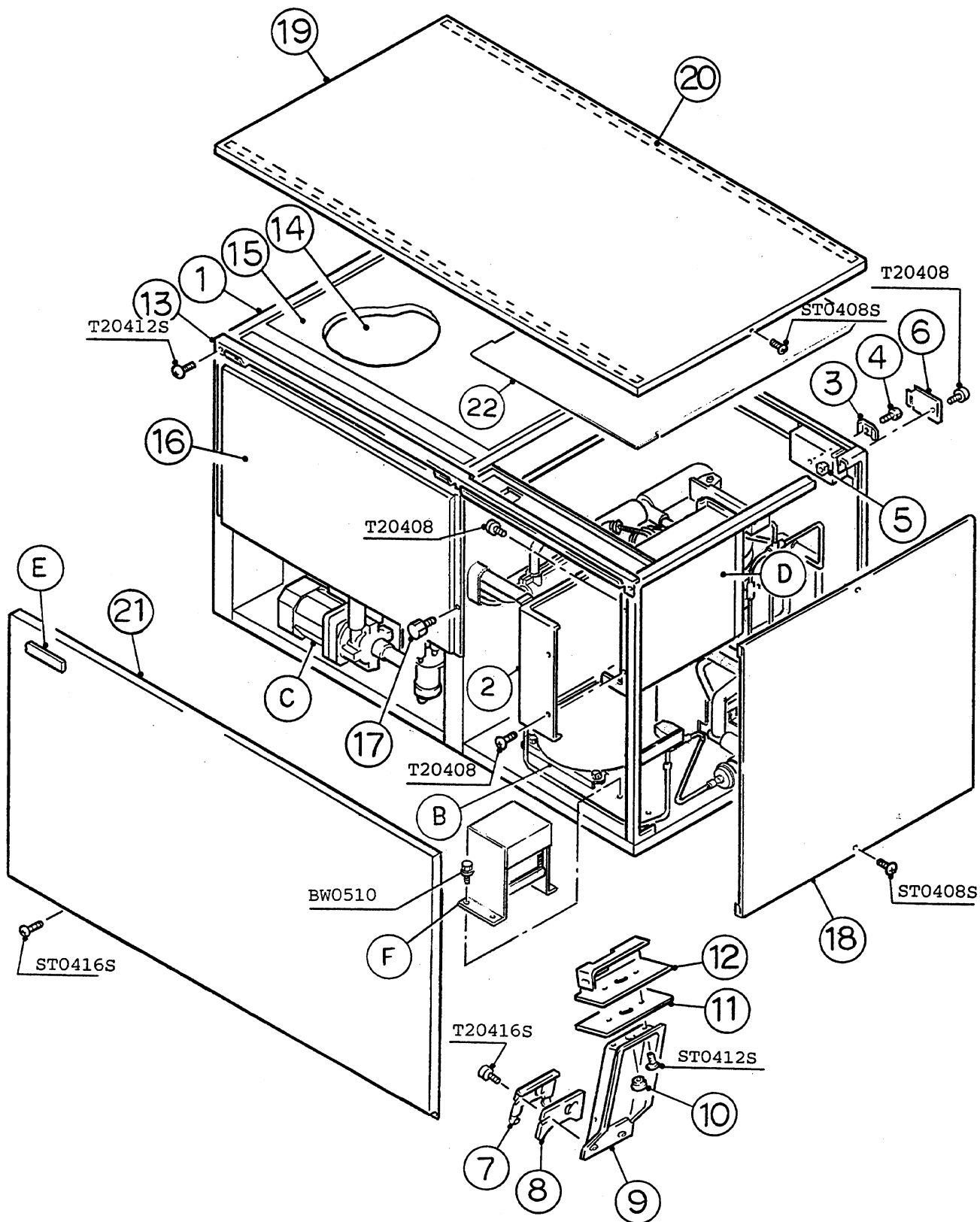
* リスト以外のFastenerは、頭形状のところを数字にする。

Second character is numerical except the List.

Ex. S1 S2 B3 etc.

そして、イラストの下に 省略記号と英語名称を記入する。

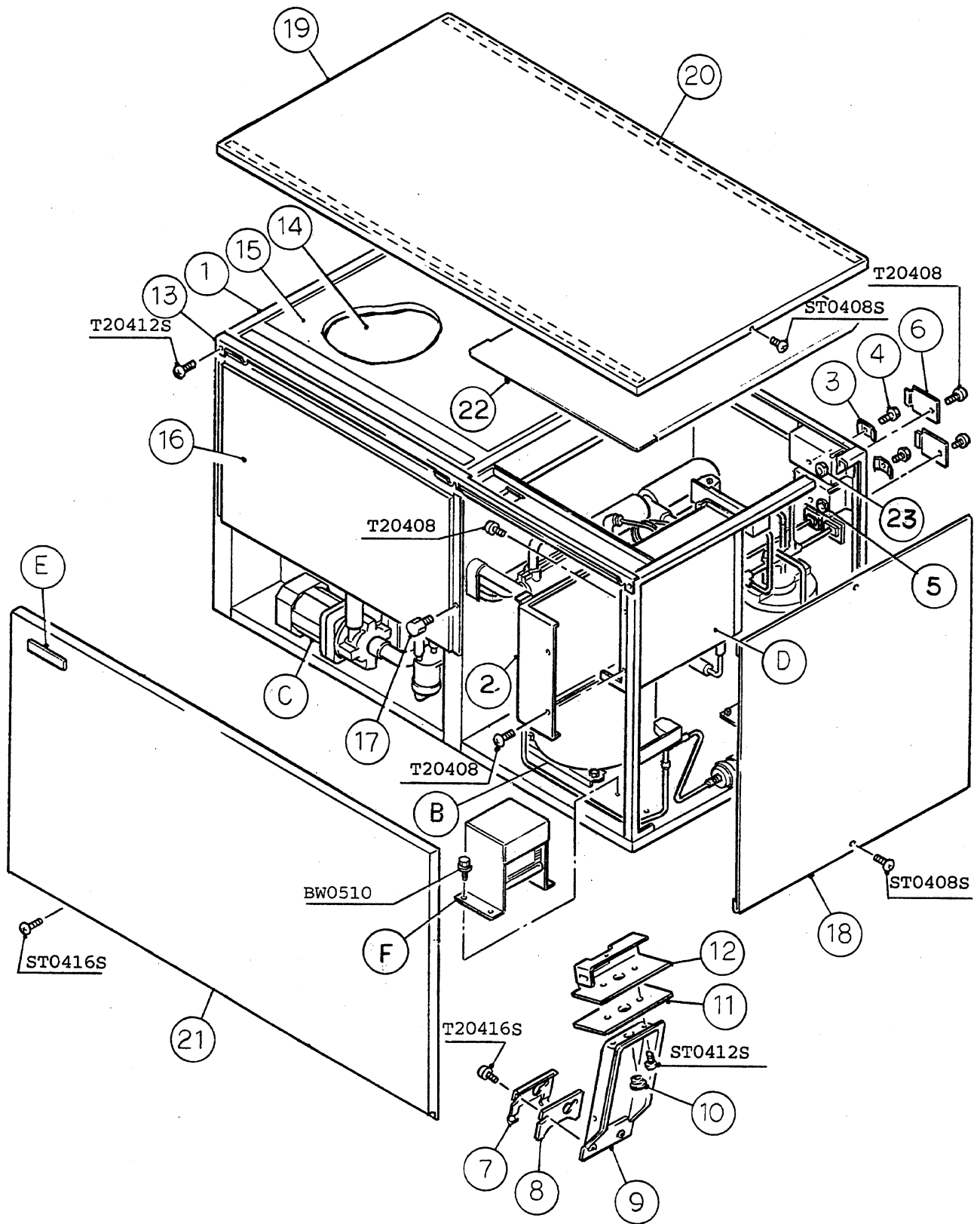
And Abbreviations and names are shown under the illustration.



HA

MODEL		TITLE		REQ'D NUMBER				
KM-1600SWB3		A. ICE CUBER ASSY						
INDEX NO.	DESCRIPTION	MATERIAL OR MODEL NUMBER	PART NUMBER	REQ'D NUMBER				
				A-1				
B	REFRIGERATION CIRCUIT	-	104921A02	1				
C	WATER CIRCUIT	-	105109A01	1				
D	CONT. BOX ASSY	-	214936A01	1				
E	LABEL LOCATION	-	214200A03	1				
F	TRANSFORMER BOX ASSY	-	325233A01	1				
1	Evap. Case	-	105108G02	1				
2	Cont. Box Cover	G. S	322616G01	1				
3	Square Washer	Copper	433537-02	1				
4	Screw - Grounding	Brass	433304-02	1				
5	Bushing	SR-34-2	420472-05	1				
6	Junction Box Cover	G. S	433410-01	1				
7	Bulb Holder (A)	S. S	433707-01	1				
8	Bulb Holder (B)	ABS	436549-01	1				
9	Bulb Holder (C)	ABS	324247G01	1				
10	Bushing	EPDM	425307-01	1				
11	Spacer	ABS	436598-01	1				
12	Bulb Holder (D)	G. S	323913-01	1				
13	Front Panel- Bracket	S. S	323903-01	1				
14	Spacer	ABS	324321-01	1				
15	Top Insulation	ABS, PE	324216G01	1				
16	Front Insulation	ABS, PE	324215G01	1				
17	Thumbscrew	ABS, S. S	415949G01	1				
18	Side Panel (R)	S. S	213668G01	1				
19	Top Panel (A)	-	213669-01	1				
20	Gasket	-	427014-03	2				
21	Front Panel	S. S	325508G01	1				
22	Barrier	G. S	325920-01	1				

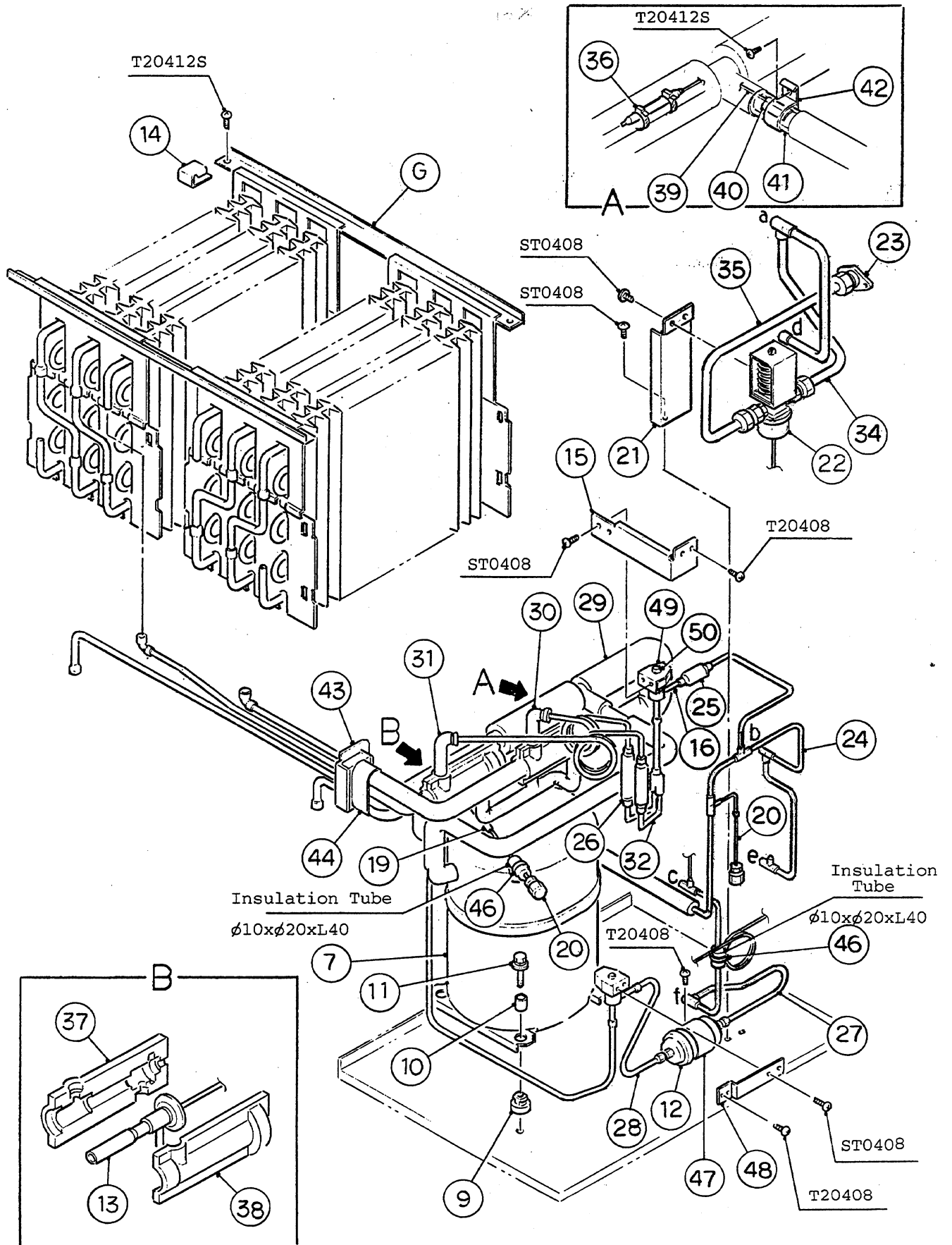
E

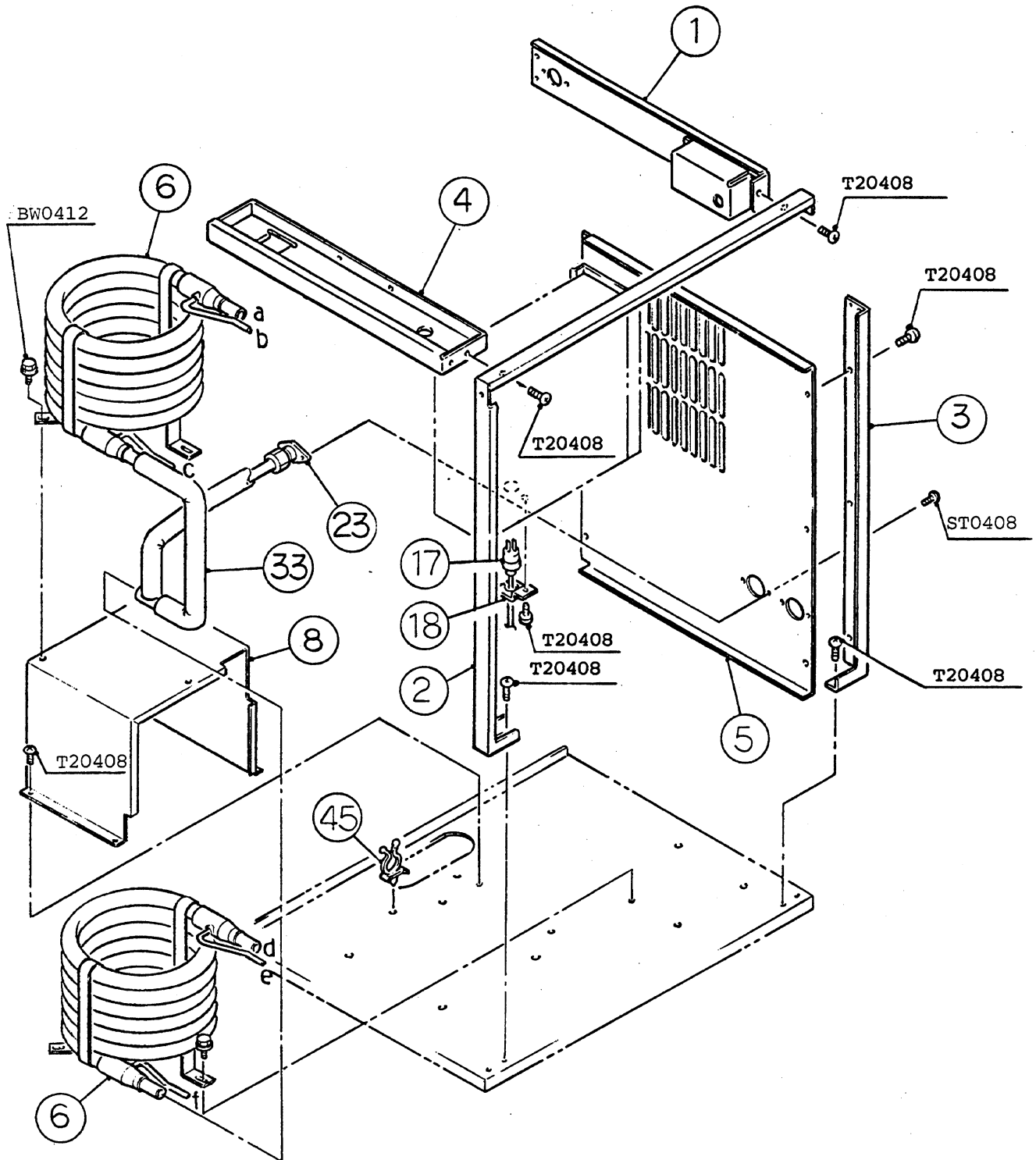


HA

MODEL		TITLE			REQ'D NUMBER				
KM-1600SRB3		A. ICE CUBER ASSY							
INDEX NO.	DESCRIPTION	MATERIAL OR MODEL NUMBER	PART NUMBER	REQ'D NUMBER					
				A-1					
B	REFRIGERATION CIRCUIT	-	104922A02	1					
C	WATER CIRCUIT	-	105109A01	1					
D	CONT. BOX ASSY	-	214936A01	1					
E	LABEL LOCATION	-	214201A03	1					
F	TRANSFORMER BOX ASSY	-	325233A01	1					
1	Evap. Case	-	105108G03	1					
2	Cont. Box Cover	G. S	322616G01	1					
3	Square Washer	Copper	433537-02	2					
4	Screw - Grounding	Brass	433304-02	2					
5	Bushing	SR-30-1	420472-03	1					
6	Junction Box Cover	G. S	433410-01	2					
7	Bulb Holder (A)	S. S	433707-01	1					
8	Bulb Holder (B)	ABS	436549-01	1					
9	Bulb Holder (C)	ABS	324247G01	1					
10	Bushing	EPDM	425307-01	1					
11	Spacer	ABS	436598-01	1					
12	Bulb Holder (D)	G. S	323913-01	1					
13	Front Panel- Bracket	S. S	323903-01	1					
14	Spacer	ABS	324321-01	1					
15	Top Insulation	ABS, PE	324216G01	1					
16	Front Insulation	ABS, PE	324215G01	1					
17	Thumbscrew	ABS, S. S	415949G01	1					
18	Side Panel (R)	S. S	213668G01	1					
19	Top Panel (A)	-	213669-01	1					
20	Gasket	-	427014-03	2					
21	Front Panel	S. S	325508G01	1					
22	Barrier	G. S	325920-01	1					
23	Bushing	SR-34-2	420472-05	1					

E





HA

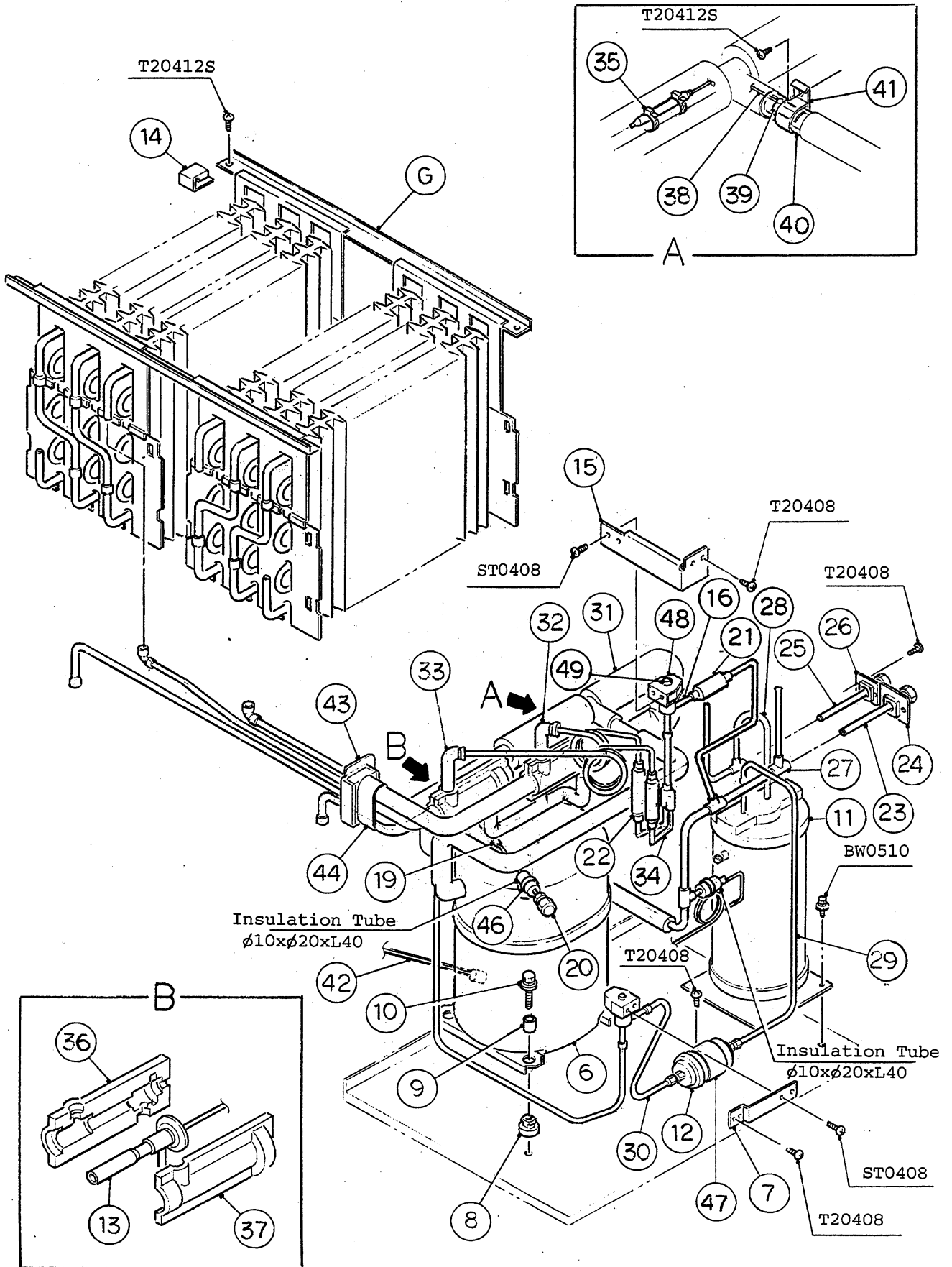
MODEL		TITLE							
KM-1600SWB3		B. REFRIGERATION CIRCUIT							
INDEX NO.	DESCRIPTION	MATERIAL OR MODEL NUMBER	PART NUMBER	REQ'D NUMBER					
				A-1					
G	EVAPORATOR	-	104696A01	1					
1	Rear Frame	G. S	439285G02	1					
2	Side Frame (A)	G. S	213688G01	1					
3	Side Frame (B)	G. S	323901G01	1					
4	Front Frame	G. S	325857G01	1					
5	Rear Panel	G. S	215099G01	1					
6	Condenser - Water-cooled	-	215074-01	2					
7	Compressor	M50A273DBDA	438505-02	1					
8	Cond. Base	-	325033-01	1					
9	Grommet	-	434922-01	4					
10	Spacer	-	434921-01	4					
11	Bolt	8x45	437889-01	4					
12	Drier	DM2-Y903HDU-1	439676-01	1					
13	Exp. Valve	HFE-15RHD-1	438212-01	2					
14	Frame Seal	EPDM	323925-01	4					
15	Hot Gas Valve Bracket	G. S	440507-01	1					
16	Valve Body	70	440352-01	2					
17	Pressure Switch	ACB-2UB02	433441-01	1					
18	Pressure Switch Bracket	G. S	434938-01	1					
19	Copper Tube - Access Valve	Copper	438249-01	1					
20	Access Valve	TCJ-2F15-HD	417366-01	2					
21	Water Regulator Bracket	G. S	434953-01	1					
22	Water Regulator	WV-5RHD-1	438216-01	1					
23	Fitting	Bronze	322710-01	2					
24	Copper Tube (A) - High Side	Copper	214784G01	1					
25	Strainer	-	430365-02	1					
26	Check Valve	YCV5-2	425342-01	2					
27	Copper Tube (B) - High Side	Copper	325051G01	1					
28	Copper Tube (D) - High Side	Copper	438244-01	1					
29	Heat Exchanger	-	104925G01	1					
30	Copper Tube (R) - Low Side	Copper	326881G01	1					
31	Copper Tube (L) - Low Side	Copper	326882G01	1					
32	Copper Tube - Hot Gas	Copper	324207G01	1					
33	Copper Tube (A)	Copper	216068G01	1					

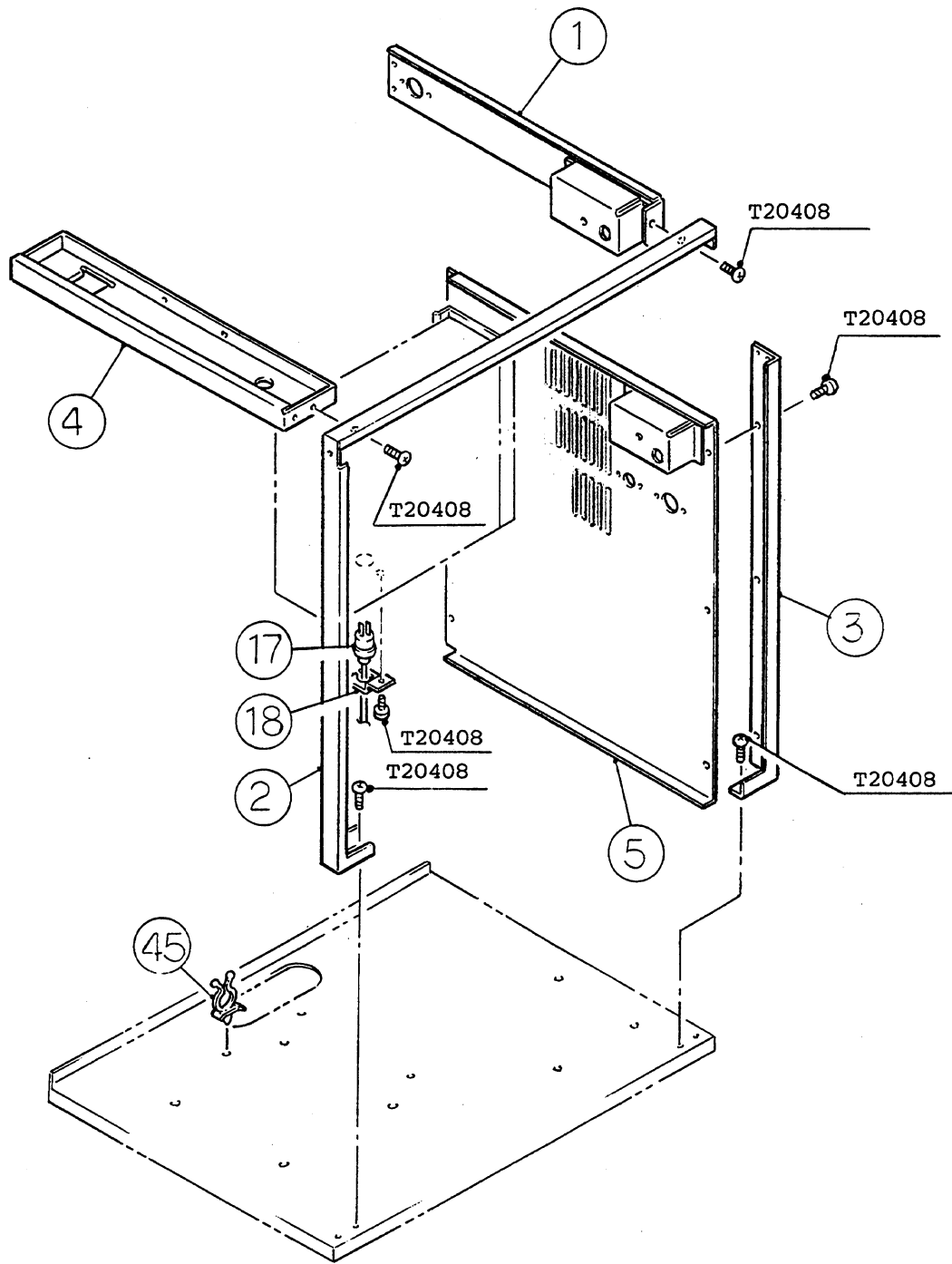
E

HA

MODEL		TITLE						
KM-1600SWB3		B. REFRIGERATION CIRCUIT						
INDEX NO.	DESCRIPTION	MATERIAL OR MODEL NUMBER	PART NUMBER	REQ'D NUMBER				
				A-1				
34	Copper Tube (B)	Copper	216069G01	1				
35	Copper Tube (C)	Copper	326860G01	1				
36	Clamp	D11-S	435254-04	4				
37	Exp. Valve Cover (A)	PE Foam	324214-01	2				
38	Exp. Valve Cover (B)	PE Foam	324214-02	2				
39	Thermistor	-	429006-03	1				
40	Holder - Thermistor	Copper	438247-01	1				
41	Insulation - Thermistor	PE Foam	427441-01	1				
42	Strap - Thermistor	S. S	4A0035-01	1				
43	Insulated Rubber Tube	-	323975G01	1				
44	Insulation	PE Foam	436671-01	1				
45	Clamp	No. 4253	427902-05	3				
46	Cable Tie	CV-200 (PLT-2M)	7920-0010	2				
47	Drier Bracket	G. S	438211-01	1				
48	Line Valve Bracket	G. S	438213-01	1				
49	Coil - Valve	ABS-25-1-HD-2	440353-01	2				
50	Bolt	-	440353F01	2				

E





HA

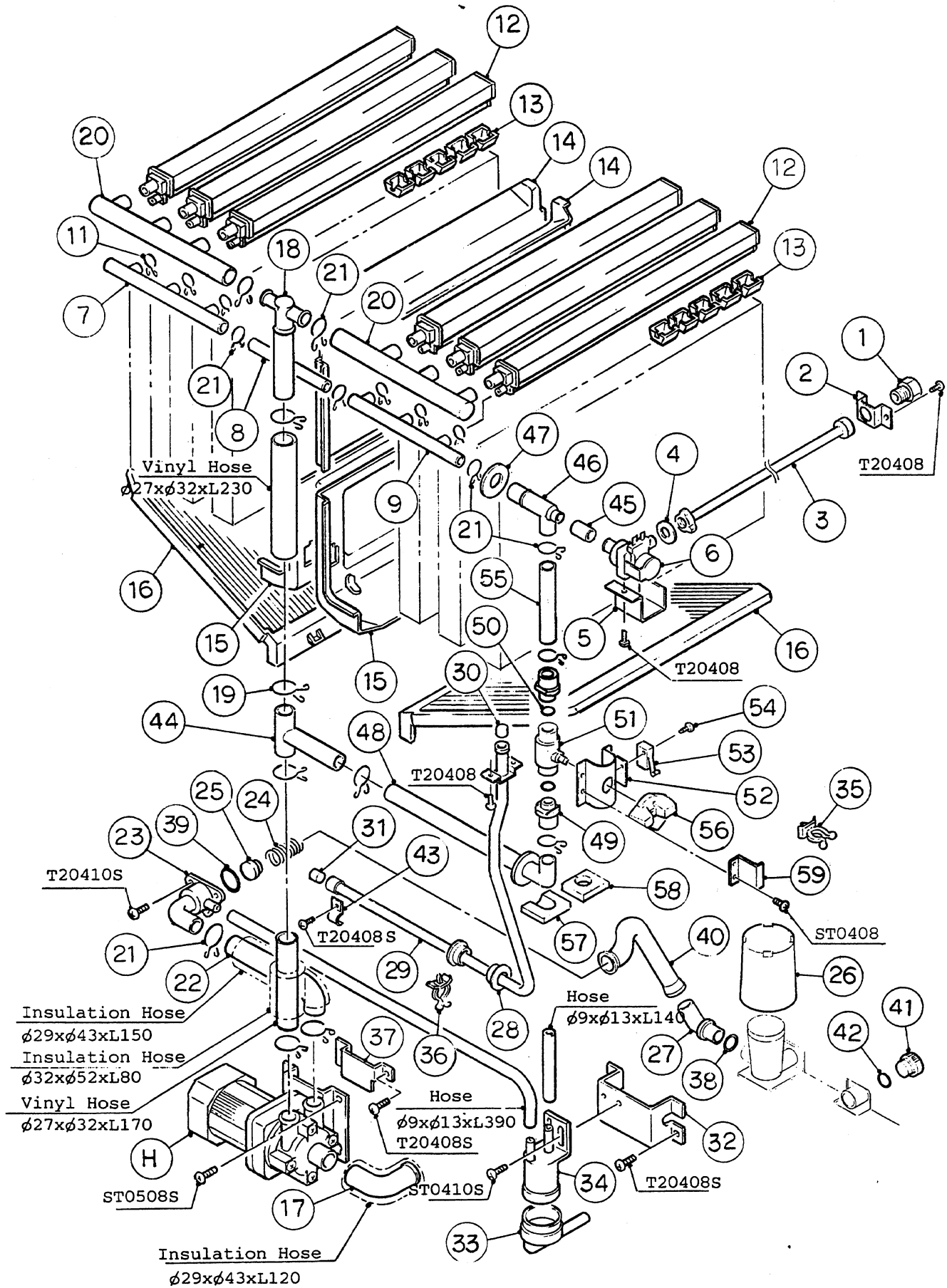
MODEL		TITLE			REQ'D NUMBER				
KM-1600SRB3		B. REFRIGERATION CIRCUIT							
INDEX NO.	DESCRIPTION	MATERIAL OR MODEL NUMBER	PART NUMBER	REQ'D NUMBER					
				A-1					
G	EVAPORATOR	-	104696A01	1					
1	Rear Frame	G. S	439285G02	1					
2	Side Frame (A)	G. S	213688G01	1					
3	Side Frame (B)	G. S	323901G01	1					
4	Front Frame	G. S	325857G01	1					
5	Rear Panel	G. S	215100G01	1					
6	Compressor	M50A273DBDA	438505-01	1					
7	Line Valve Bracket	G. S	438213-01	1					
8	Grommet	-	434922-01	4					
9	Spacer	-	434921-01	4					
10	Bolt	8x45	437889-01	4					
11	Receiver	RR MN WP450	438209-01	1					
12	Drier	DM2-Y903HDU-1	439676-01	1					
13	Exp. Valve	HFE-15RHD-1	438212-01	2					
14	Frame Seal	EPDM	323925-01	4					
15	Hot Gas Valve Bracket	G. S	440507-01	1					
16	Valve Body	70	440352-01	2					
17	Pressure Switch	ACB-2UB04	433441-05	1					
18	Pressure Switch Bracket	G. S	434938-01	1					
19	Copper Tube - Access Valve	Copper	438249-01	1					
20	Access Valve	TCJ-2F15-HD	417366-01	1					
21	Strainer	-	430365-02	1					
22	Check Valve	YCV5-2	425342-01	2					
23	Coupling	-	434136G01	1					
24	Tube Holder (L)	G. S	438245-01	1					
25	Coupling	-	433751G01	1					
26	Tube Holder (S)	G. S	438246-01	1					
27	Copper Tube (A) - High Side	Copper	214785G01	1					
28	Copper Tube (B) - High Side	Copper	325053G01	1					
29	Copper Tube (C) - High Side	Copper	325047-01	1					
30	Copper Tube (D) - High Side	Copper	438244-01	1					
31	Heat Exchanger	-	104925G01	1					
32	Copper Tube (R) - Low Side	Copper	326881G02	1					
33	Copper Tube (L) - Low Side	Copper	326882G02	1					

E

HA

MODEL		TITLE						
KM-1600SRB3		B. REFRIGERATION CIRCUIT						
INDEX NO.	DESCRIPTION	MATERIAL OR MODEL NUMBER	PART NUMBER	REQ'D NUMBER				
				A-1				
34	Copper Tube - Hot Gas	Copper	324207G01	1				
35	Clamp	D11-S	435254-04	4				
36	Exp. Valve Cover (A)	PE Foam	324214-01	2				
37	Exp. Valve Cover (B)	PE Foam	324214-02	2				
38	Thermistor	-	429006-03	1				
39	Holder - Thermistor	Copper	438247-01	1				
40	Insulation - Thermistor	PE Foam	427441-01	1				
41	Strap - Thermistor	S. S	4A0035-01	1				
42	Crankcase Heater	T. I 8HT5-505	438208-01	1				
43	Insulated Rubber Tube	-	323975G01	1				
44	Insulation	PE Foam	436671-01	1				
45	Clamp	No. 4253	427902-05	3				
46	Cable Tie	CV-200 (PLT-2M)	7920-0010	2				
47	Drier Bracket	G. S	438211-01	1				
48	Coil - Valve	ABS-25-1-HD-2	440353-01	2				
49	Bolt	-	440353F01	2				

E



HA

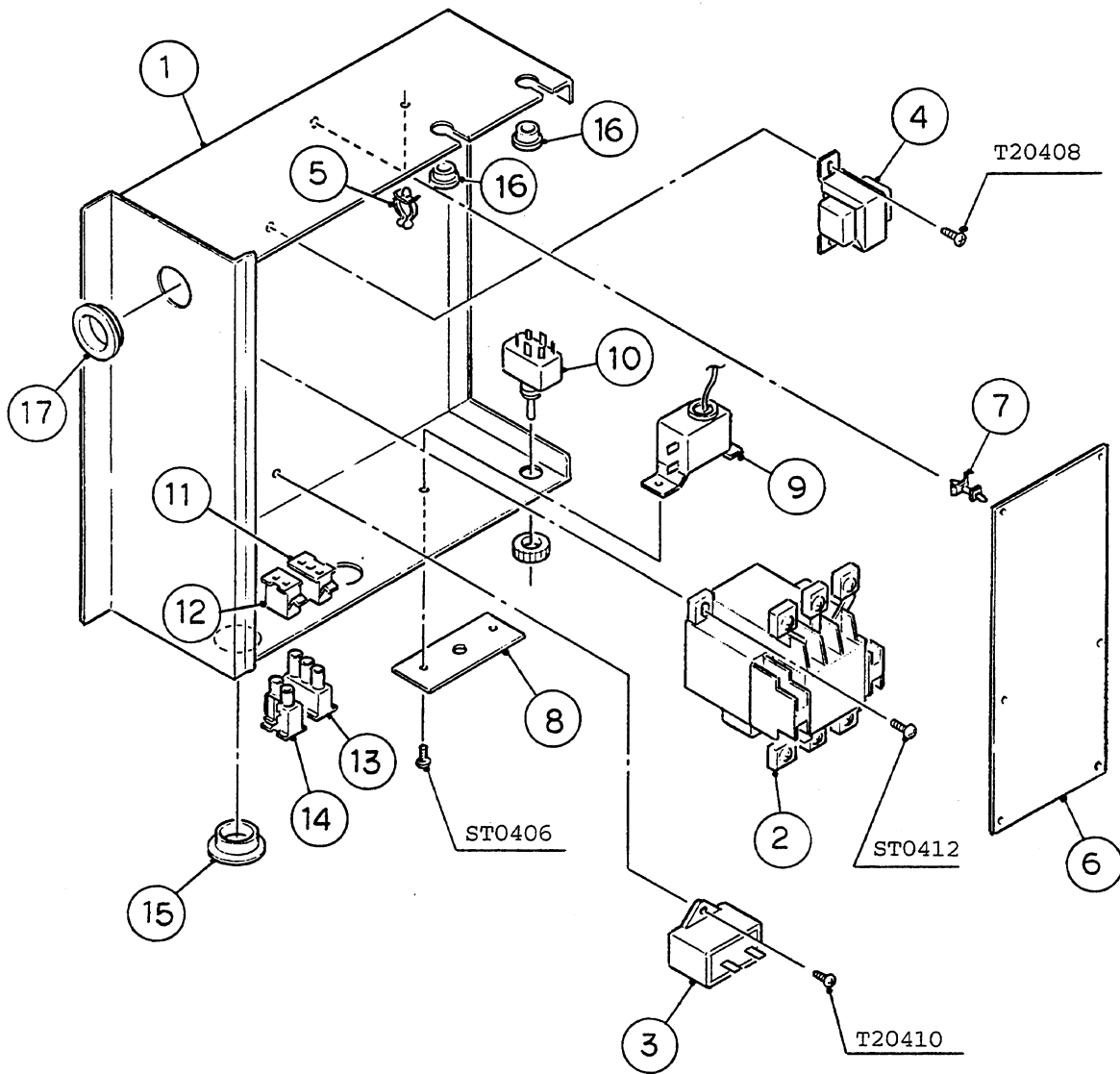
MODEL		TITLE					
KM-1600SWB3, SRB3		C. WATER CIRCUIT					
INDEX NO.	DESCRIPTION	MATERIAL OR MODEL NUMBER	PART NUMBER	REQ'D NUMBER			
				A-1			
H	PUMP MOTOR ASSY	(S-0730)	215692A01	1			
1	Fitting - Inlet	Brass	436552-01	1			
2	Fitting Holder - Inlet	G. S	436550-01	1			
3	Water Supply Pipe	Copper	436670G01	1			
4	Rubber Gasket	NBR	413854-01	2			
5	Water Valve Bracket	G. S	321443-01	1			
6	Water Valve	J248-030	3U0111-01	1			
7	Distributor Hose (A)	EPDM	325738-01	1			
8	Joint Pipe	ABS	439297-01	1			
9	Distributor Hose (B)	EPDM	325738-02	1			
10	-	-	-	-			
11	Hose Clamp	S. S, 13.5mm	427443-07	6			
12	Spray Tube	ABS	437049G01	6			
13	Spray Guide (A)	PE	208586-01	18			
14	Separator (A)	ABS	213622-01	2			
15	Separator (B)	ABS	213623G01	2			
16	Cube Guide	ABS	214243-01	2			
17	Hose (A)	EPDM	435091-01	1			
18	Distributor	ABS	438276G01	1			
19	Hose Clamp	S. S, 32mm	427443-09	4			
20	Distributor Hose (C)	EPDM	323985-01	2			
21	Hose Clamp	S. S, 25mm	427443-03	11			
22	Hose (B)	EPDM	436599-01	1			
23	Valve Housing - Drain	ABS	323613-01	1			
24	Spring	S. S	322685-01	1			
25	Valve Seat	EPDM	433705-01	1			
26	Overflow Cap	PE	323978-01	1			
27	Joint - Overflow	ABS	323923-02	1			
28	Bushing	SB-1093-15	420470-03	2			
29	Conduit	Copper	323905G01	1			
30	Bushing	SB-625-8	420470-01	1			
31	Bushing	OCB-500	428394-02	1			
32	Float Sw. Bracket	S. S	323906-01	1			
33	Connector - Float Switch	EPDM	426799-04	1			

E

HA

MODEL		TITLE						
KM-1600SWB3, SRB3		C. WATER CIRCUIT						
INDEX NO.	DESCRIPTION	MATERIAL OR MODEL NUMBER	PART NUMBER	REQ'D NUMBER				
				A-1				
34	Float Switch	FS-0893B-1	433535-02	1				
35	Clamp	No. 248	427902-04	5				
36	Clamp	No. 4253	427902-05	1				
37	Barrier	S. S	436913-01	1				
38	"O" Ring	1AP18	7611-P018	1				
39	"O" Ring	1AG35	7611-G035	1				
40	Drain Hose	EPDM	324757-01	1				
41	Drain	PA	309246-01	1				
42	"O" Ring	1AP15	7611-P015	1				
43	"C" Clamp	CCO-12	7910C1200	1				
44	Distributor (C)	ABS	439238-01	1				
45	Joint Hose	EPDM	439296-01	1				
46	Distributor (B)	ABS	439239-01	1				
47	Flange	EPDM	439267-02	1				
48	Bypass Hose	EPDM	439237-02	1				
49	Male Adaptor	ABS	325826-01	2				
50	"O" Ring	1AP20	7611-P020	2				
51	Ball Valve	-	439293-01	1				
52	Valve Holder	G. S	325825-01	1				
53	Micro Switch	AH-8064	436386-01	1				
54	Tapping Screw	3x14	431415-02	2				
55	Joint Hose	EPDM	439309-02	1				
56	Handle	PP	215383-01	1				
57	Corner Insulation (A)	PE	439376-01	1				
58	Corner Insulation (B)	PE	439392-01	1				
59	Handle Bracket	G. S	439929-01	1				

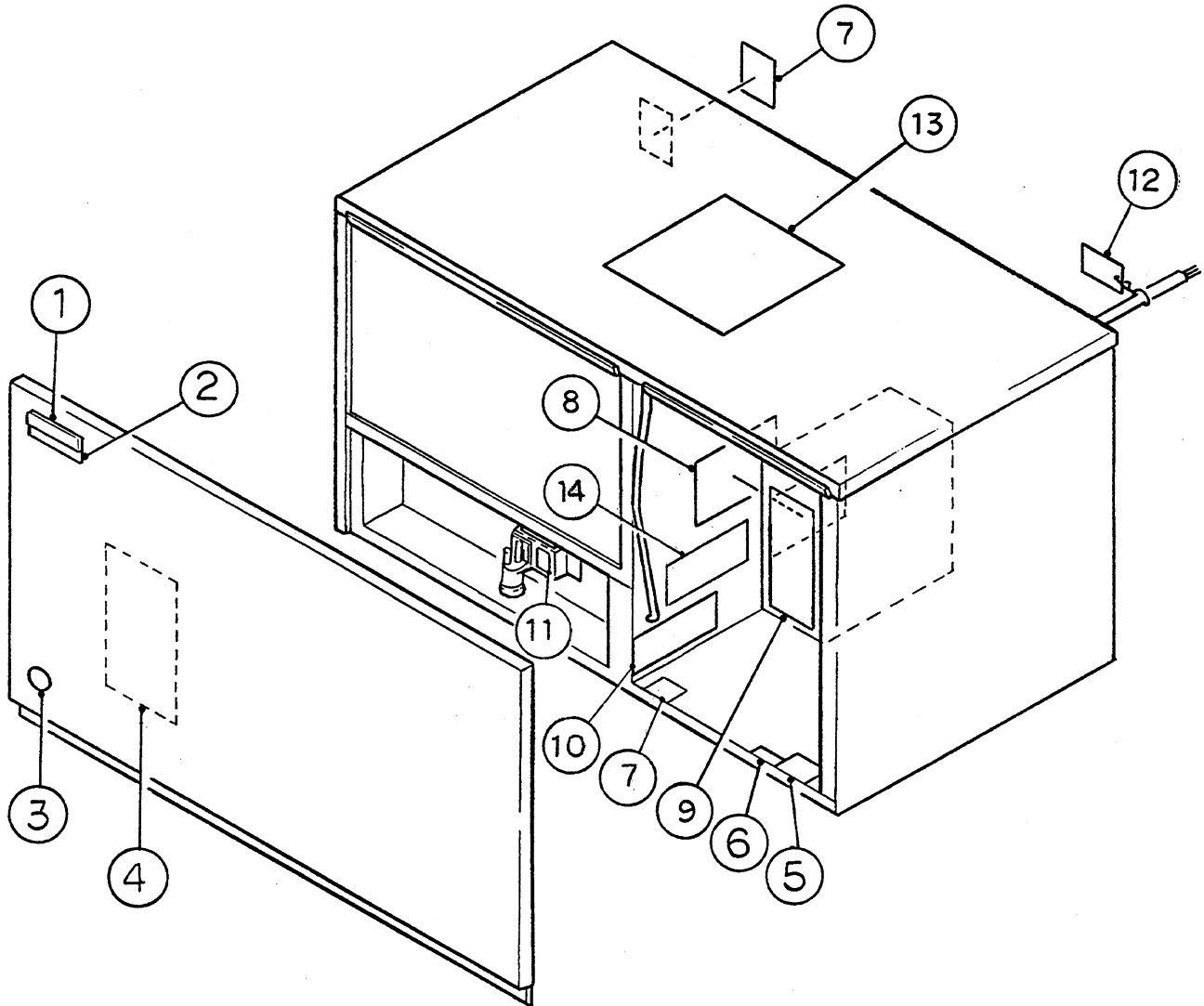
E



HA

MODEL		TITLE			REQ'D NUMBER				
KM-1600SWB3, SRB3		D. CONT. BOX ASSY							
INDEX NO.	DESCRIPTION	MATERIAL OR MODEL NUMBER	PART NUMBER	REQ'D NUMBER					
				A-1					
1	Cont. Box	G. S	212608G03	1					
2	Magnetic Contactor	C-25E	438215-01	1					
3	Capacitor	240V, 10 μ F	431928-03	1					
4	Transformer	BW48-005	3U0135-01	1					
5	Clamp	No. 248	427902-04	1					
6	Controller Board	MY9KM910	2U0127-01	1					
7	Board Support	KGLS-6S	414929-01	6					
8	Control Label	PES Film	434934-01	1					
9	Thermostat	YTB-3U106	433536-02	1					
10	Toggle Switch	ST210P(UL)	428638-01	1					
11	3P Plug Housing	3191-03P	412832-06	1					
12	2P Plug Housing	3191-02P	412832-07	1					
13	3P Receptacle Housing	3191-03R1	412831-06	1					
14	2P Receptacle Housing	3191-02R1	412831-07	1					
15	Bushing	SB-1093-15	420470-03	1					
16	Bushing	OCB-500	428394-02	2					
17	Bushing	SB-1093-13	420470-12	1					

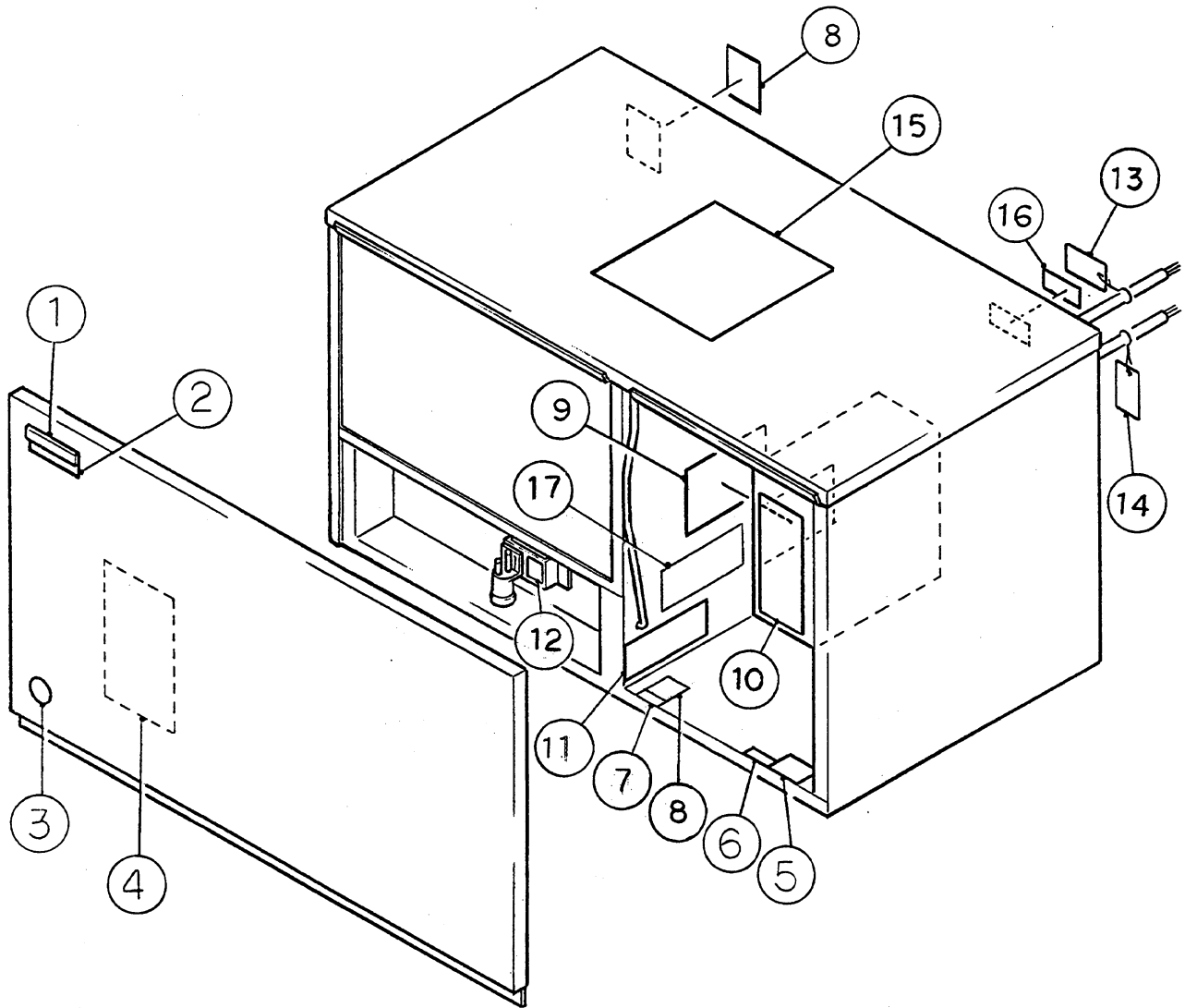
E



HA

MODEL		TITLE							
KM-1600SWB3		E. LABEL LOCATION							
INDEX NO.	DESCRIPTION	MATERIAL OR MODEL NUMBER	PART NUMBER	REQ'D NUMBER					
				A-1					
1	Emblem (L) - HOSHIZAKI	ABS	418634G01	1					
2	Model Number Label	PETP Film	436041-20	1					
3	Label - Penguin (R)	PETP Film	410994-01	1					
4	Maintenance Label	PVC Film	326275-01	1					
5	Warning Label - Danger	PVC Film	425322-01	1					
6	Label - R502	PES Film	4A0026-01	1					
7	Nameplate	PES Film	440745-01	2					
8	Wiring Label	PVC Film	325873-01	1					
9	Manual Label	PVC Film	324476-01	1					
10	Manual Label - Bin Control	PVC Film	324477-01	1					
11	Manual Label - Float Switch	PVC Film	437458-01	1					
12	Tag - Warning: Electrical Connection	Paper	438479-01	1					
13	Instruction Sheet	Paper	214266-01	1					
14	Operation Label - Valve	PVC Film	439541-01	1					

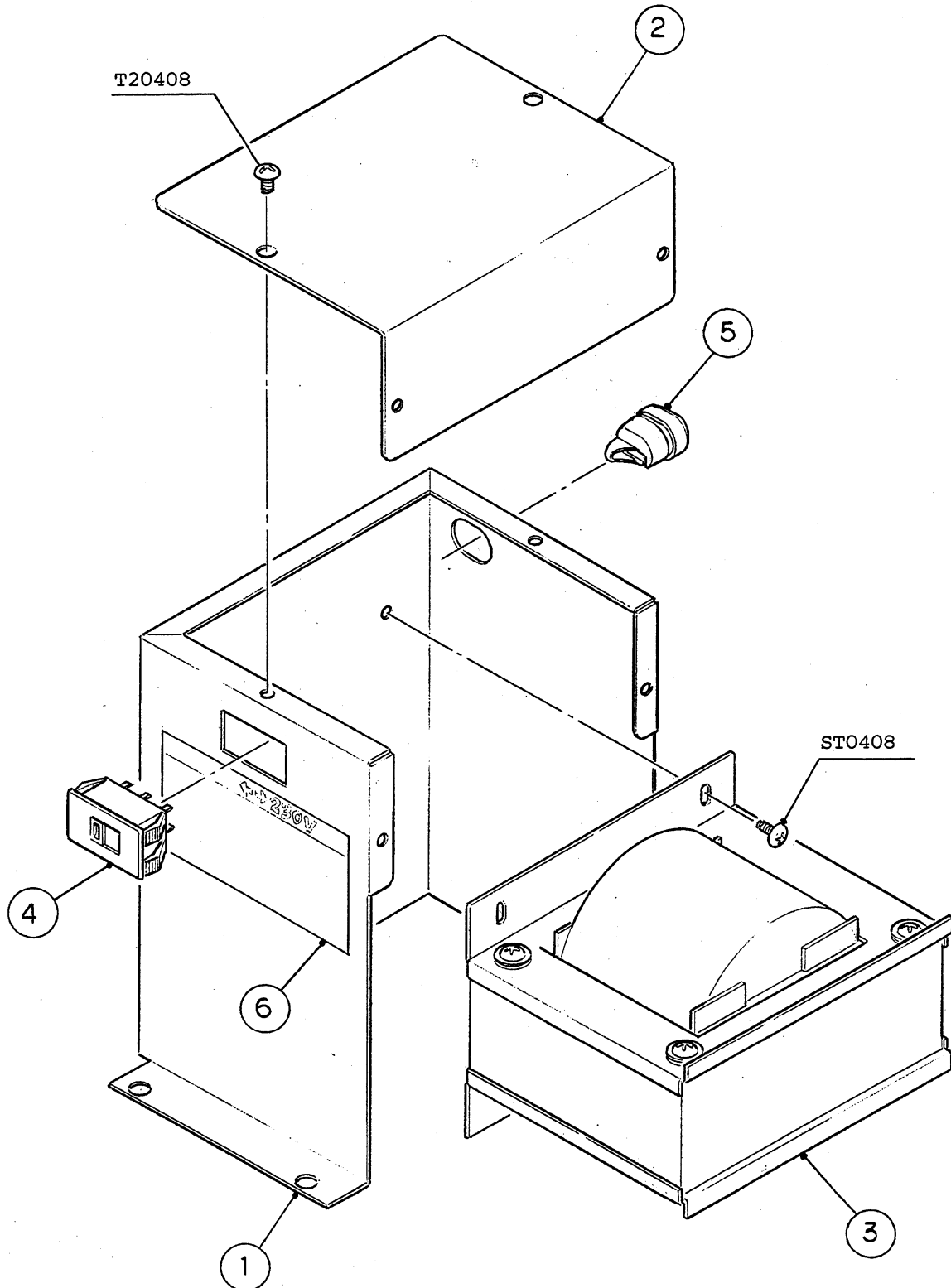
E



HA

MODEL		TITLE							
KM-1600SRB3		E. LABEL LOCATION							
INDEX NO.	DESCRIPTION	MATERIAL OR MODEL NUMBER	PART NUMBER	REQ'D NUMBER					
				A-1					
1	Emblem (L) - HOSHIZAKI	ABS	418634G01	1					
2	Model Number Label	PETP Film	436041-21	1					
3	Label - Penguin (R)	PETP Film	410994-01	1					
4	Maintenance Label	PVC Film	326275-01	1					
5	Warning Label - Danger	PVC Film	425322-01	1					
6	Label - R502	PES Film	4A0026-01	1					
7	Label - Charge	PES Film	324977-02	1					
8	Nameplate	PES Film	440746-01	2					
9	Wiring Label	PVC Film	325873-01	1					
10	Manual Label	PVC Film	324476-01	1					
11	Manual Label - Bin Control	PVC Film	324477-01	1					
12	Manual Label - Float Switch	PVC Film	437458-01	1					
13	Tag - Warning: Electrical Connection	Paper	438479-01	1					
14	Tag - Fan Motor Leads	Paper	420742-01	1					
15	Instruction Sheet	Paper	214266-01	1					
16	Label - Connection	PVC Film	438234-01	1					
17	Operation Label - Valve	PVC Film	439541-01	1					

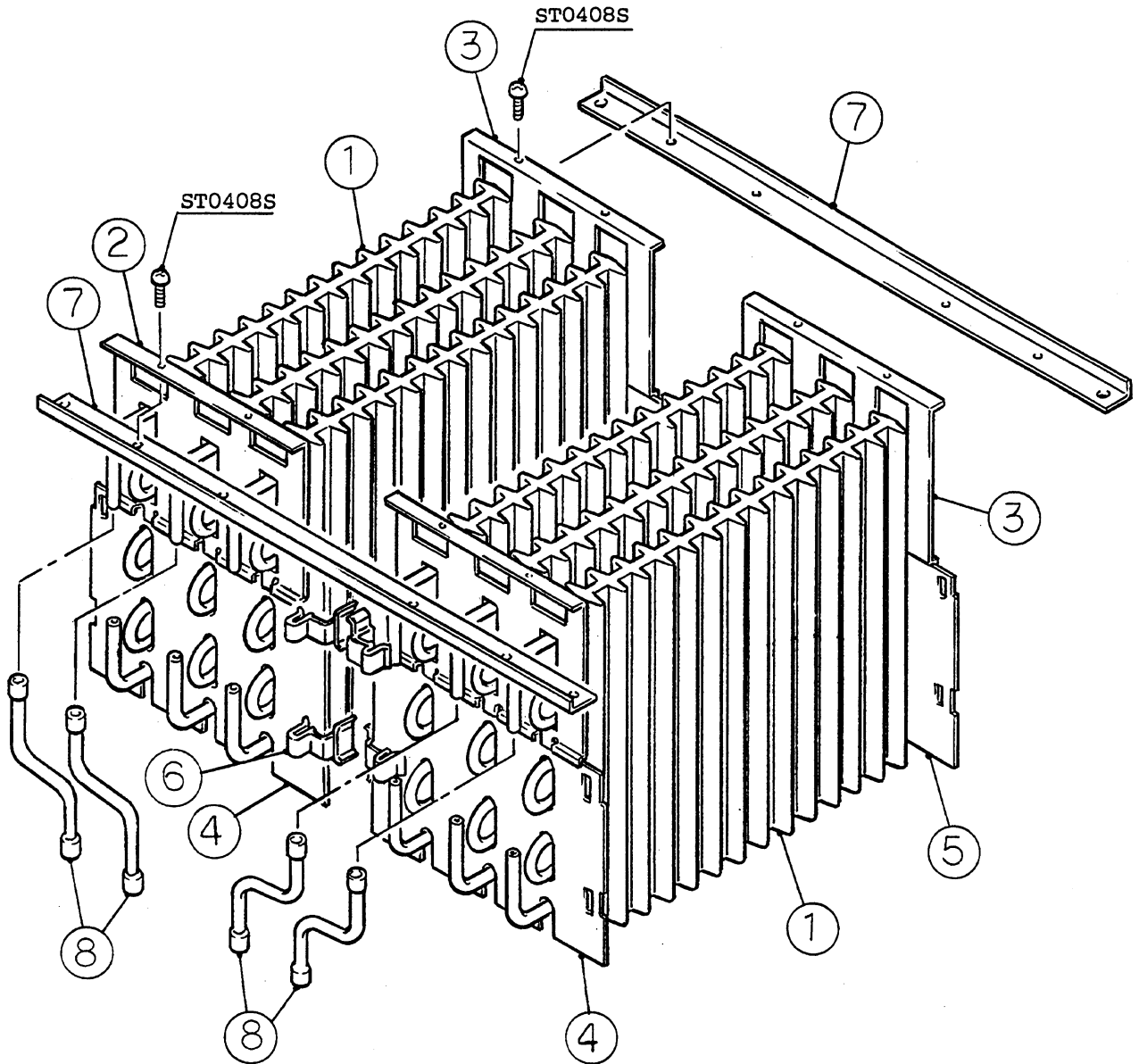
E



HA

MODEL		TITLE							
KM-1600SWB3, SRB3		F. TRANSFORMER BOX ASSY							
INDEX NO.	DESCRIPTION	MATERIAL OR MODEL NUMBER	PART NUMBER	REQ'D NUMBER					
				A-1					
1	Transformer Box	-	325234-01	1					
2	Transformer Box Cover	-	438467-01	1					
3	Transformer	2U0083	2U0083-01	1					
4	Slide Switch	SE1022-SD-DM-F-R-HK-A	439305-01	1					
5	Bushing	SR-30-1	420472-03	1					
6	Manual Label - Tap Switch	-	439423-01	1					

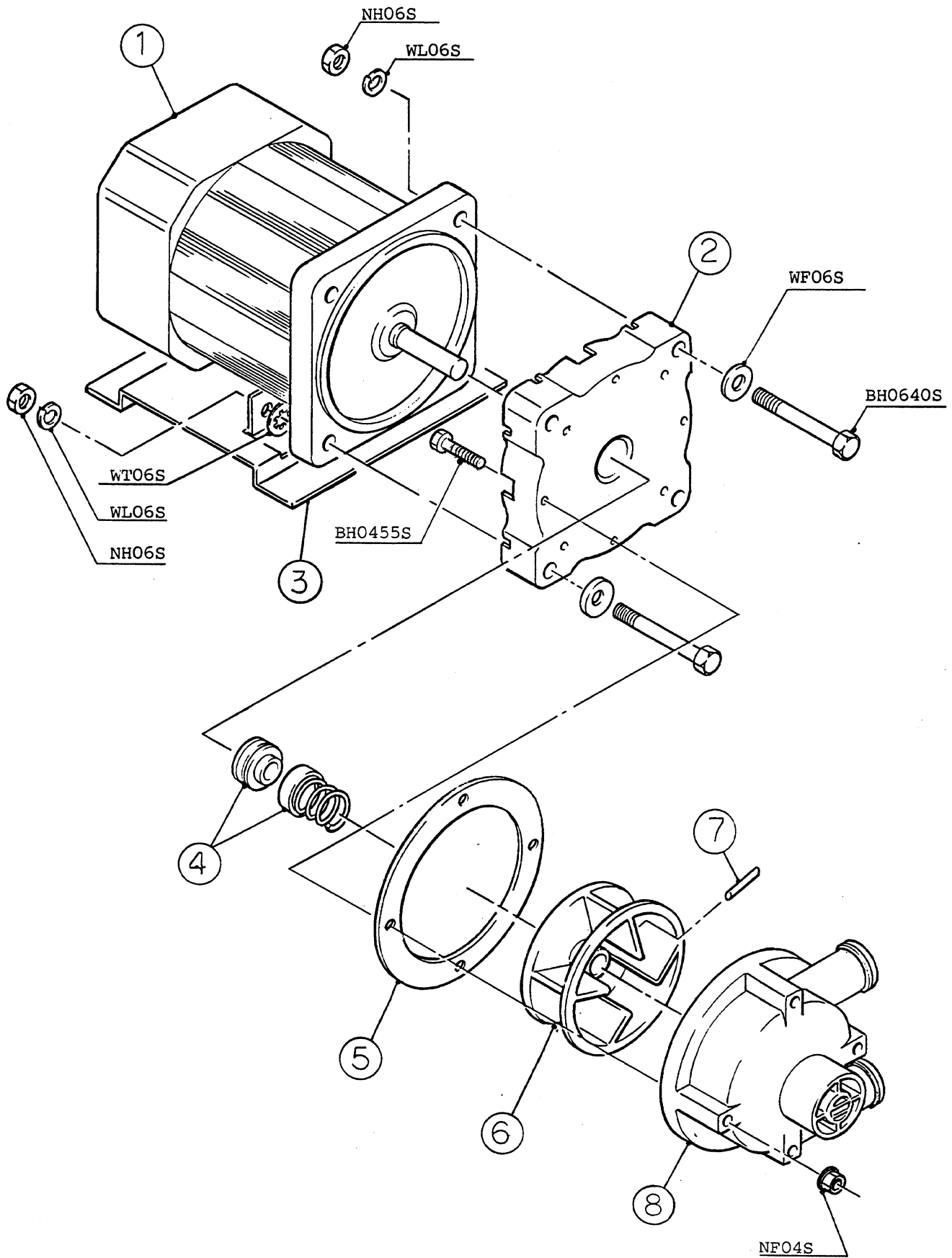
E



HA

MODEL		TITLE						
KM-1600SWB3, SRB3		G. EVAPORATOR						
INDEX NO.	DESCRIPTION	MATERIAL OR MODEL NUMBER	PART NUMBER	REQ'D NUMBER				
				A-1				
1	Evaporator	(S-0533)	103444G02	6				
2	Evap. Bracket (A)	S. S	323690-01	2				
3	Evap. Bracket (B)	S. S	323691-01	2				
4	End Plate (A)	ABS	323692-01	2				
5	End Plate (B)	ABS	323693-01	2				
6	Hook	PE	324152-01	8				
7	Evap. Bracket	G. S	436582-01	2				
8	Copper Tube	Copper	434137-01	4				

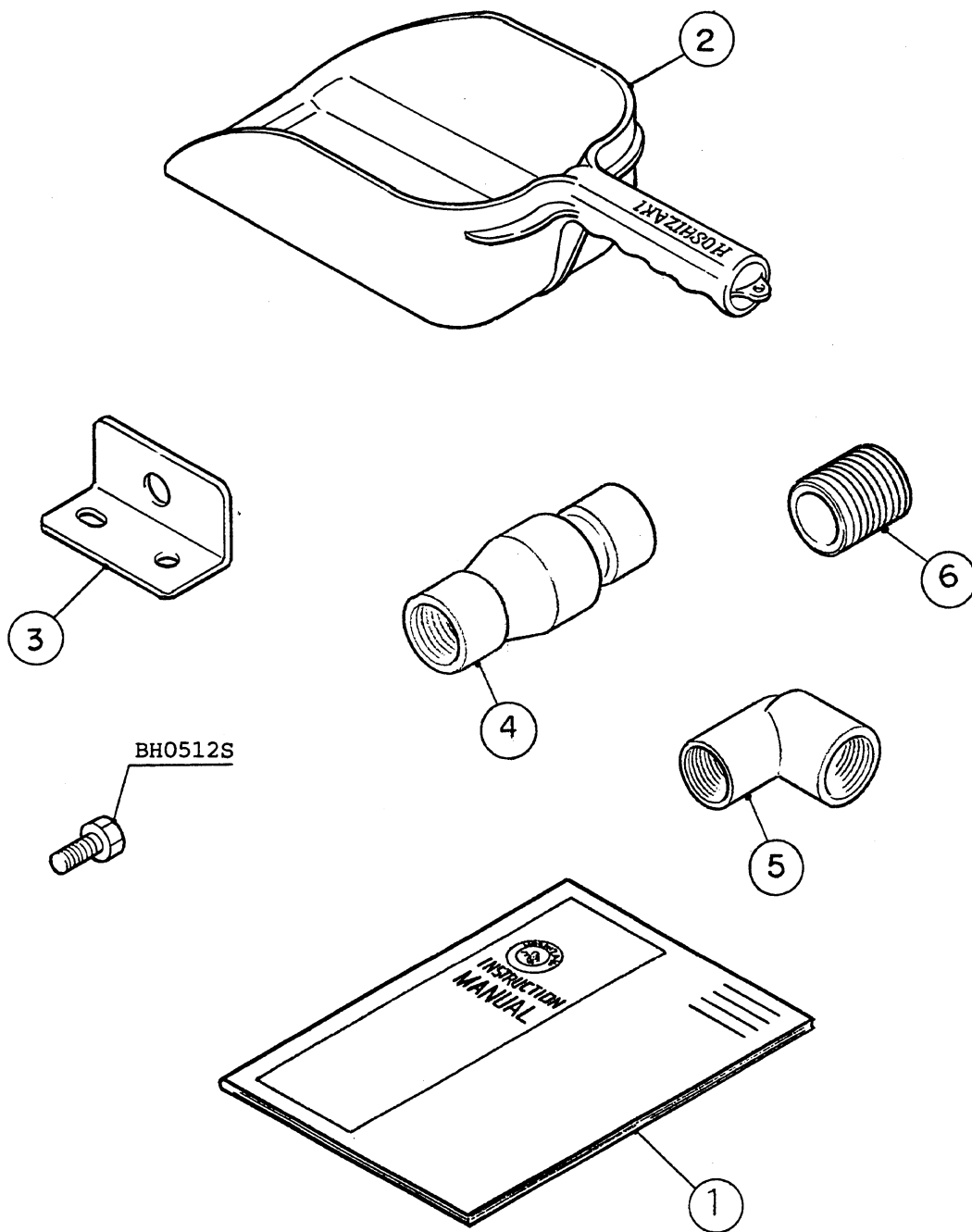
E



HA

MODEL		TITLE						
KM-1600SWB3, SRB3		H. PUMP MOTOR ASSY						
INDEX NO.	DESCRIPTION	MATERIAL OR MODEL NUMBER	PART NUMBER	REQ'D NUMBER				
				A-1				
1	Pump Motor	M91A60SP201	2U0106-01	1				
2	Pump Flange	PC	215662-01	1				
3	Pump Motor Bracket	S. S	323904-01	1				
4	Mechanical Seal	H5-PN 8mm	428545-01	1				
5	Packing	EPDM	428547-01	1				
6	Impeller	ABS	436584-01	1				
7	Pin	S. S	414102-01	1				
8	Pump Housing	ABS	213687-01	1				

E



HA

MODEL		TITLE						
KM-1600SWB3, SRB3		J. ACCESSORIES						
INDEX NO.	DESCRIPTION	MATERIAL OR MODEL NUMBER	PART NUMBER	REQ'D NUMBER				
				A-1				
1	Instruction Manual	Paper	91U1QA10A	1				
2	Scoop	PS	437625-01	1				
3	Brace	G. S	433469-01	2				
4	Check Valve	-	439660-01	1				
5	Elbow	-	439661-01	1				
6	Nipple	-	439662-01	1				

E

STACKABLE CRESCENT CUBER

MODEL

KM-1600SWB3

KM-1600SRB3

PARTS LIST

ISSUED: JAN. 8, 1991

REVISED: JAN. 31, 1991

PRINTED: OCT, 1994

ITEM NO: 71064