

NO. U1QG-1004

ISSUED: JUN.11, 1991

REVISED: _____



**HOSHIZAKI
MODULAR CRESCENT CUBER**

**MODEL KM-1600MWB
KM-1600MRB**

PARTS LIST

A-1 MAY. 1991

MATERIAL ABBREVIATIONS

PLASTIC

| | | |
|------|---|------------------------------------|
| ABS | = | Acrylonitrile-butadien-styrene |
| AC | = | Polyacetal |
| EVA | = | Ethylene vinyl acetate |
| PA | = | Polyamide =Nylon |
| PC | = | Polycarbonate |
| PE | = | Polyethylene |
| PES | = | Polyester |
| PETP | = | Polyethylene terephthalate =Tetlon |
| PP | = | Polypropyleneoride |
| PTFE | = | Polystyrene |
| PTFE | = | Polytetrafluoroethyrene =Teflon |
| PUR | = | Polyurethane |
| PVC | = | Polyvinyl chloride |

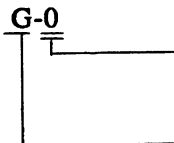
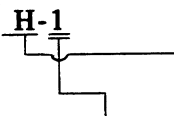
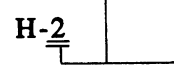
RUBBER

| | | |
|------|---|--------------------------|
| EPDM | = | EP rubber |
| NBR | = | Nitrile butadiene rubber |
| NR | = | Natural rubber |
| SI.R | = | Silicone rubber |
| SY.R | = | Synthetic rubber |

STEEL

| | | |
|-----|---|------------------|
| G.S | = | Galvanized steel |
| S.S | = | Stainless steel |

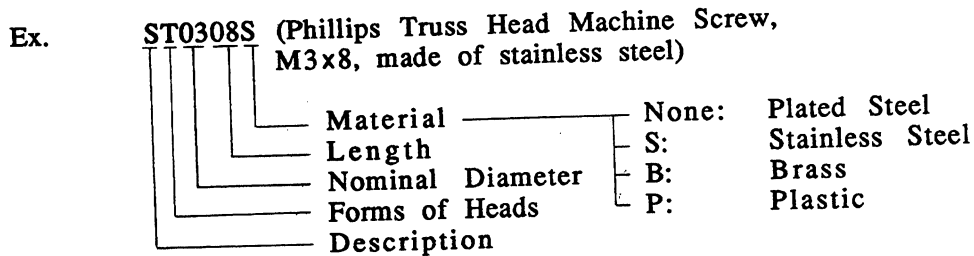
AUXILIARY CODE

- Ex.1  The parts inchanged after the preceding year.
"G" is the seventh in alphabetical order. So, "G" shows "1987".
- Ex.2  "H" is the eighth in alphabetical order. So, "H" shows "1988".
- Ex.3  Every time the parts are changed in a year, this number increaseds.

(Note) —=Parts was erased.
X=Parts wase erased.(INTERCHANGEABLE)
O=New parts for "X" in the same auxiliary code.

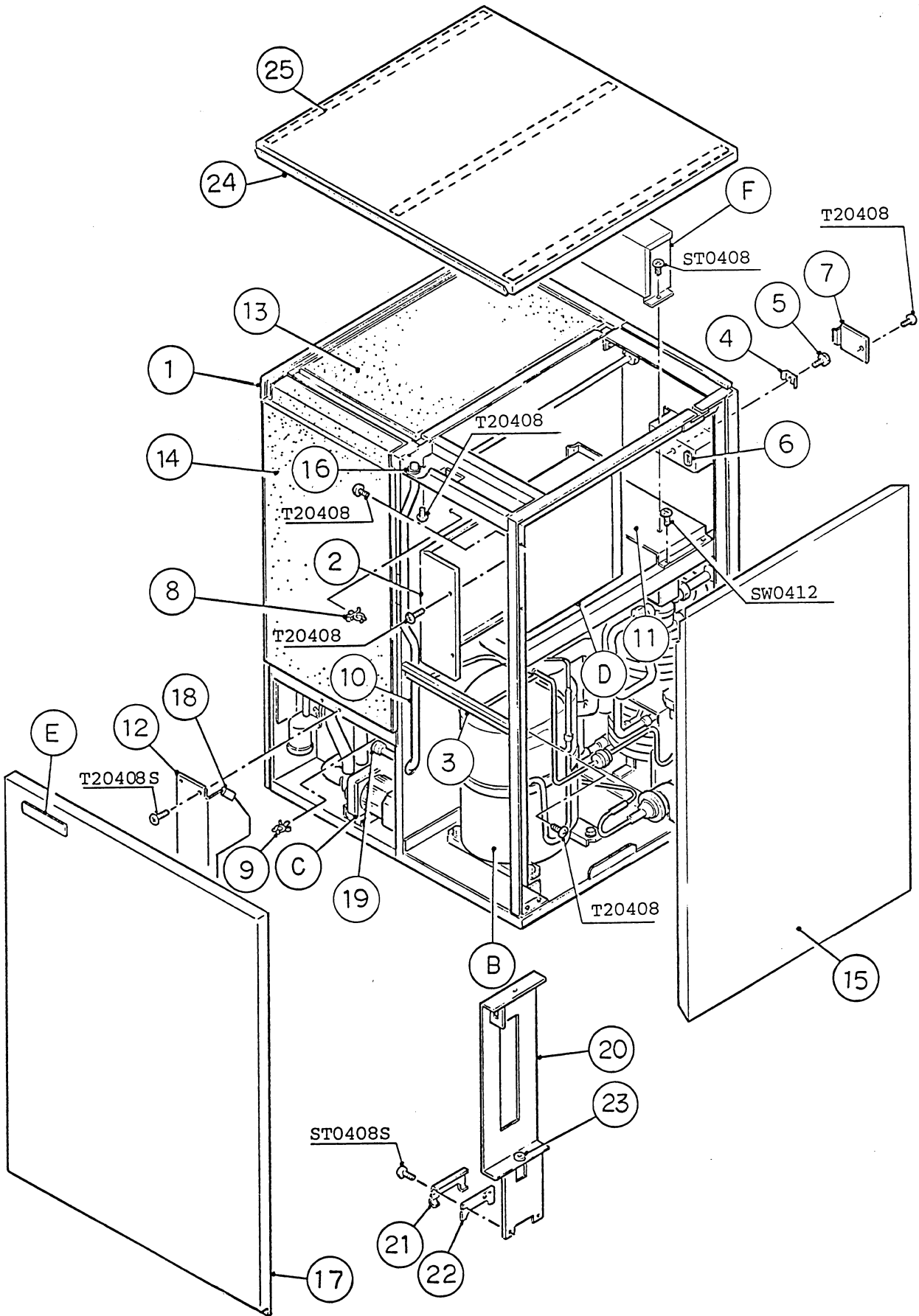
EASTENER ABBREVIATION LIST

| | |
|----|--|
| ST | Phillips Truss Head Machine Screw |
| SP | Phillips Pan Head Machine Screw |
| SF | Phillips Flat Head Machine Screw |
| SS | Phillips Pan Head Machine Screw with Split Lock Washer |
| ST | Phillips Pan Head Machine Screw with Split Lock Washer and Flat Washer |
| T1 | Phillips Truss Head Tapping Screw (Correspond to Type A) |
| T2 | Phillips Truss Head Tapping Screw (Correspond to Type B) |
| T3 | Phillips Truss Head Tapping Screw (Correspond to Type C) |
| FT | Phillips Truss Head Tapping Screw (Special) |
| BH | Hexagon Head Bolt |
| BC | Socket Head Cap Screw |
| BS | Hexagon Bolt with Split Washer |
| BW | Hexagon Bolt with Split Washer and Flat Washer |
| BF | Hexagon Flange Bolt |
| WL | Split Lock Washer |
| WT | External Tooth Washer |
| WF | Flat Washer |
| WS | Spring Washer |
| NH | Hexagon Nut |
| NF | Hexagon Flange Nut |
| NC | Hexagon Cap Nut |
| NS | Square Nut |
| NW | Wing Nut |



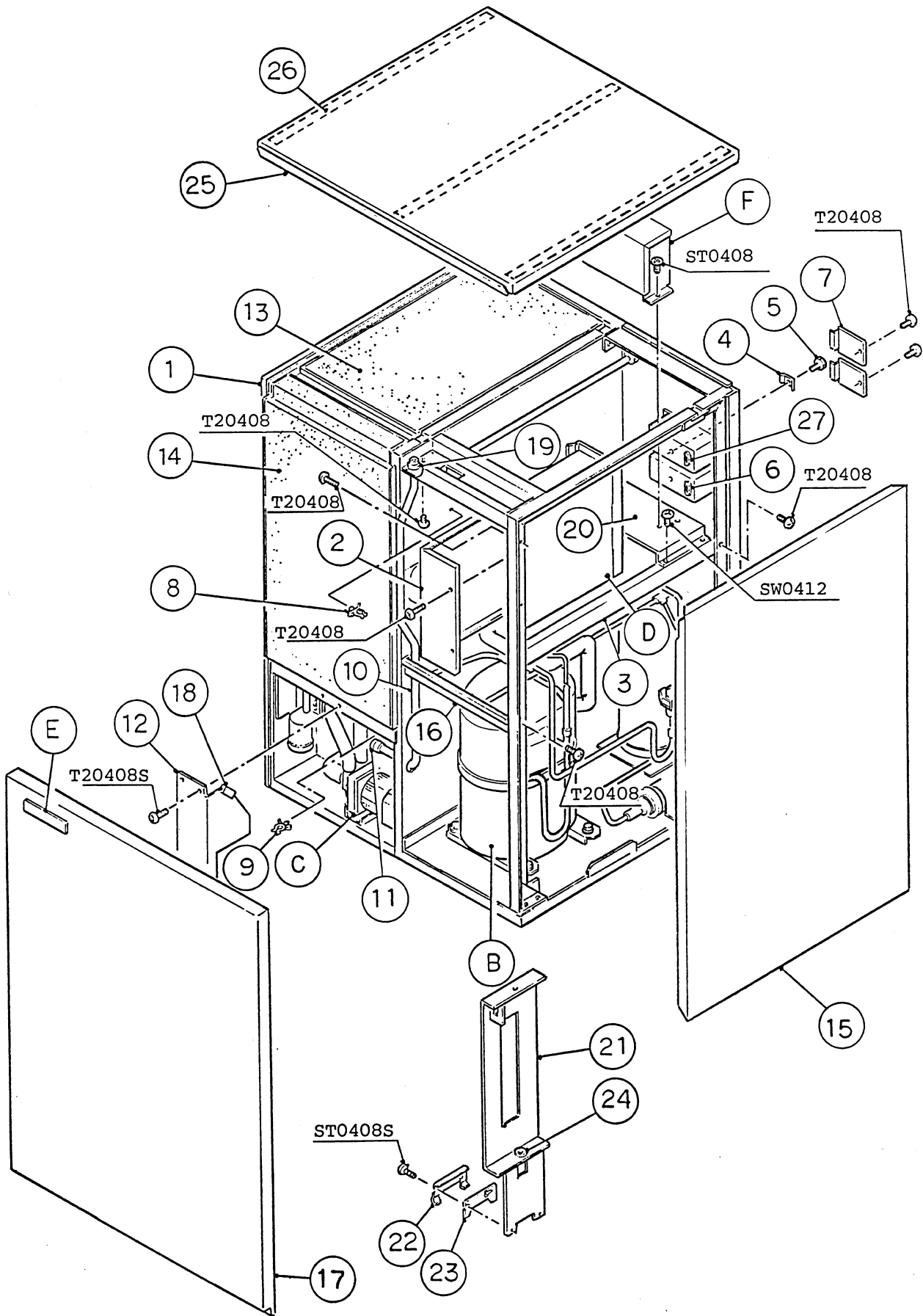
(Note) Second character is numerical except the list.
Ex. S1, S2, B3 etc.

And abbreviations and names are shown under the illustration.



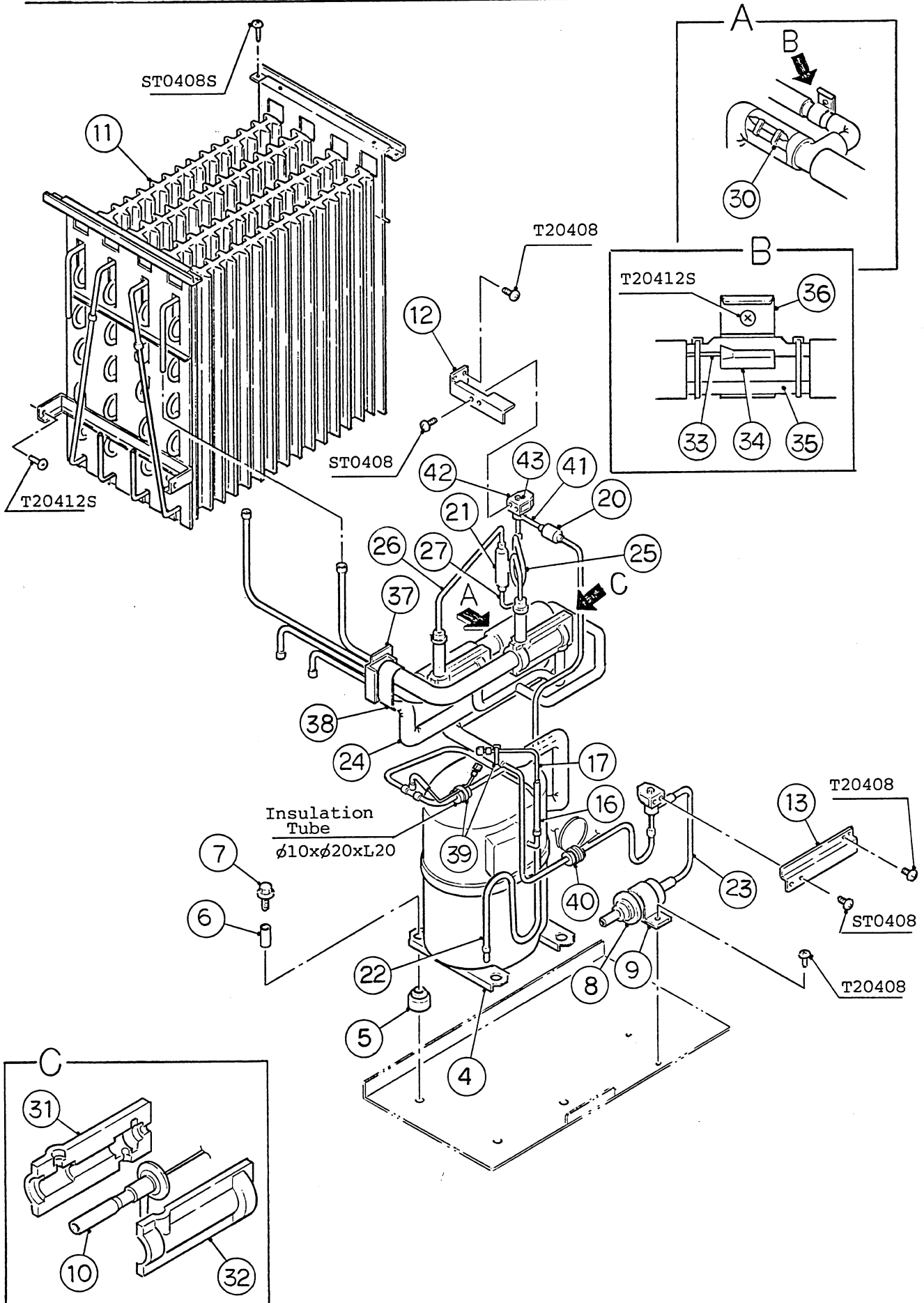
HA

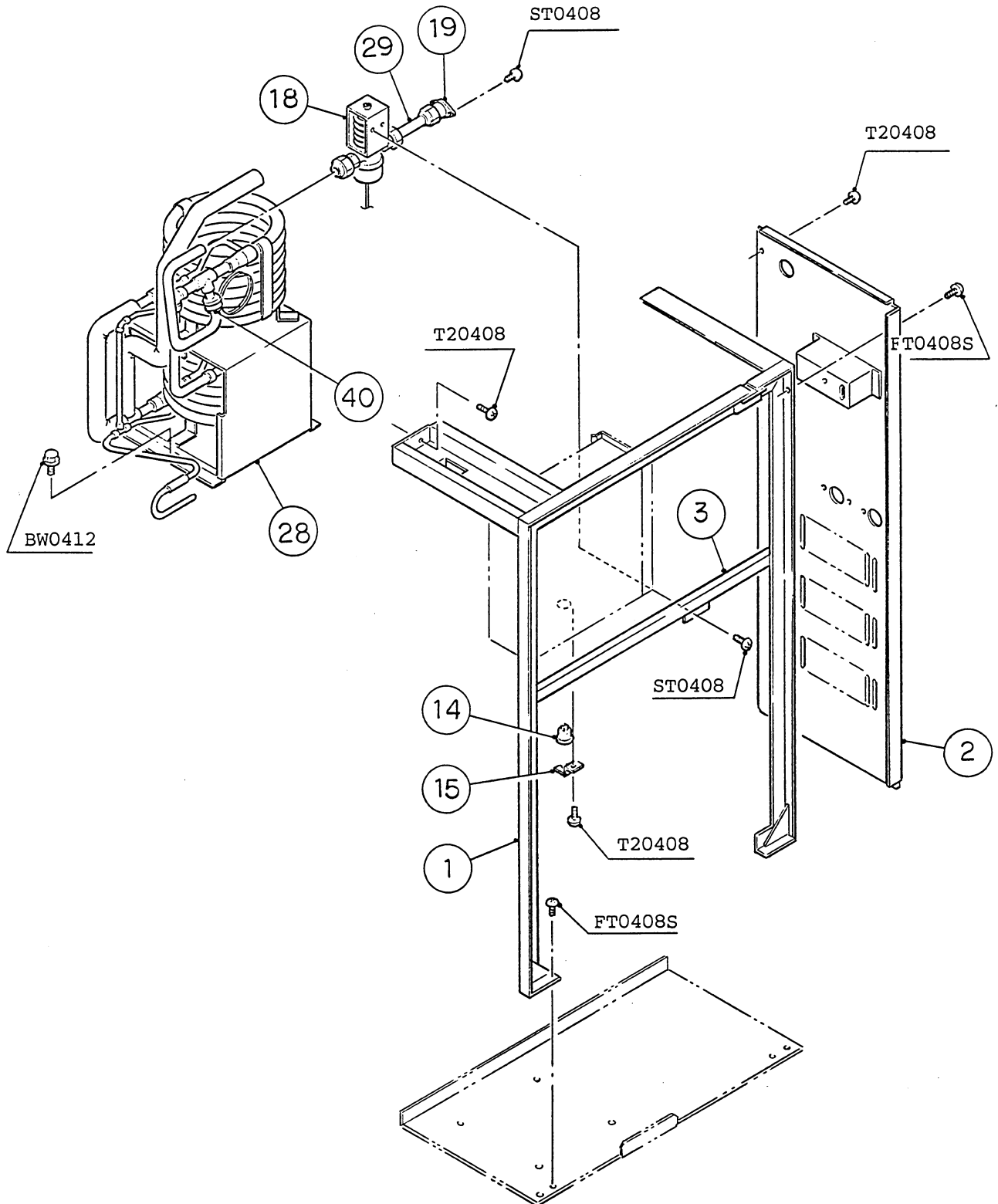
| MODEL: KM-1600MWB TITLE: A. ICE CUBER ASSY | | | | | | | |
|--|-----------------------|--------------------------|-------------|--------------|--|--|--|
| INDEX NO. | DESCRIPTION | MATERIAL OR MODEL NUMBER | PART NUMBER | REQ'D NUMBER | | | |
| | | | | A-1 | | | |
| B | REFRIGERATION UNIT | - | 105199A01 | 1 | | | |
| C | WATER CIRCUIT | - | 105060A01 | 1 | | | |
| D | CONT. BOX ASSY | - | 215441A01 | 1 | | | |
| E | LABEL LOCATION | - | 326278A01 | 1 | | | |
| F | CAPACITOR BOX ASSY | - | 326126A01 | 1 | | | |
| 1 | EVAP. CASE | - | 105061G01 | 1 | | | |
| 2 | CONT. BOX COVER | G.S | 322616G02 | 1 | | | |
| 3 | FRAME (G) | - | 439086G01 | 1 | | | |
| 4 | SQUARE WASHER | COPPER | 433537-02 | 1 | | | |
| 5 | SCREW - GROUNDING | BRASS | 433304-02 | 1 | | | |
| 6 | BUSHING | SR-34-2 | 420472-05 | 1 | | | |
| 7 | JUNCTION BOX COVER | G.S | 433410-01 | 1 | | | |
| 8 | CLAMP | NO.249 | 427902-03 | 7 | | | |
| 9 | CLAMP | NO. 248 | 427902-04 | 2 | | | |
| 10 | CONDUIT | COPPER | 325678G01 | 1 | | | |
| 11 | TRANSFORMER BOX MOUNT | G.S | 325691-01 | 1 | | | |
| 12 | SEPARATOR | S.S | 322687-01 | 1 | | | |
| 13 | TOP INSULATION | ABS, PE | 322714G01 | 1 | | | |
| 14 | FRONT INSULATION | ABS,PE | 322711G01 | 1 | | | |
| 15 | SIDE PANEL (R) | S.S | 212688G01 | 1 | | | |
| 16 | BUSHING | SB-625-8 | 420470-01 | 1 | | | |
| 17 | FRONT PANEL | S.S | 212686-01 | 1 | | | |
| 18 | EDGING | EE-12 | 435297-01 | 1 | | | |
| 19 | BUSHING | OCB-500 | 428394-02 | 1 | | | |
| 20 | BULB HOLDER | - | 322815G01 | 1 | | | |
| 21 | BULB HOLDER (A) | S.S | 433707-01 | 1 | | | |
| 22 | BULB HOLDER (B) | ABS | 436549-01 | 1 | | | |
| 23 | BUSHING | EPDM | 425307-01 | 1 | | | |
| 24 | TOP PANEL | (323836A01) | 212687-01 | 1 | | | |
| 25 | GASKET | (323836A01) | 427014-04 | 3 | | | |
| | | | | | | | |



HA

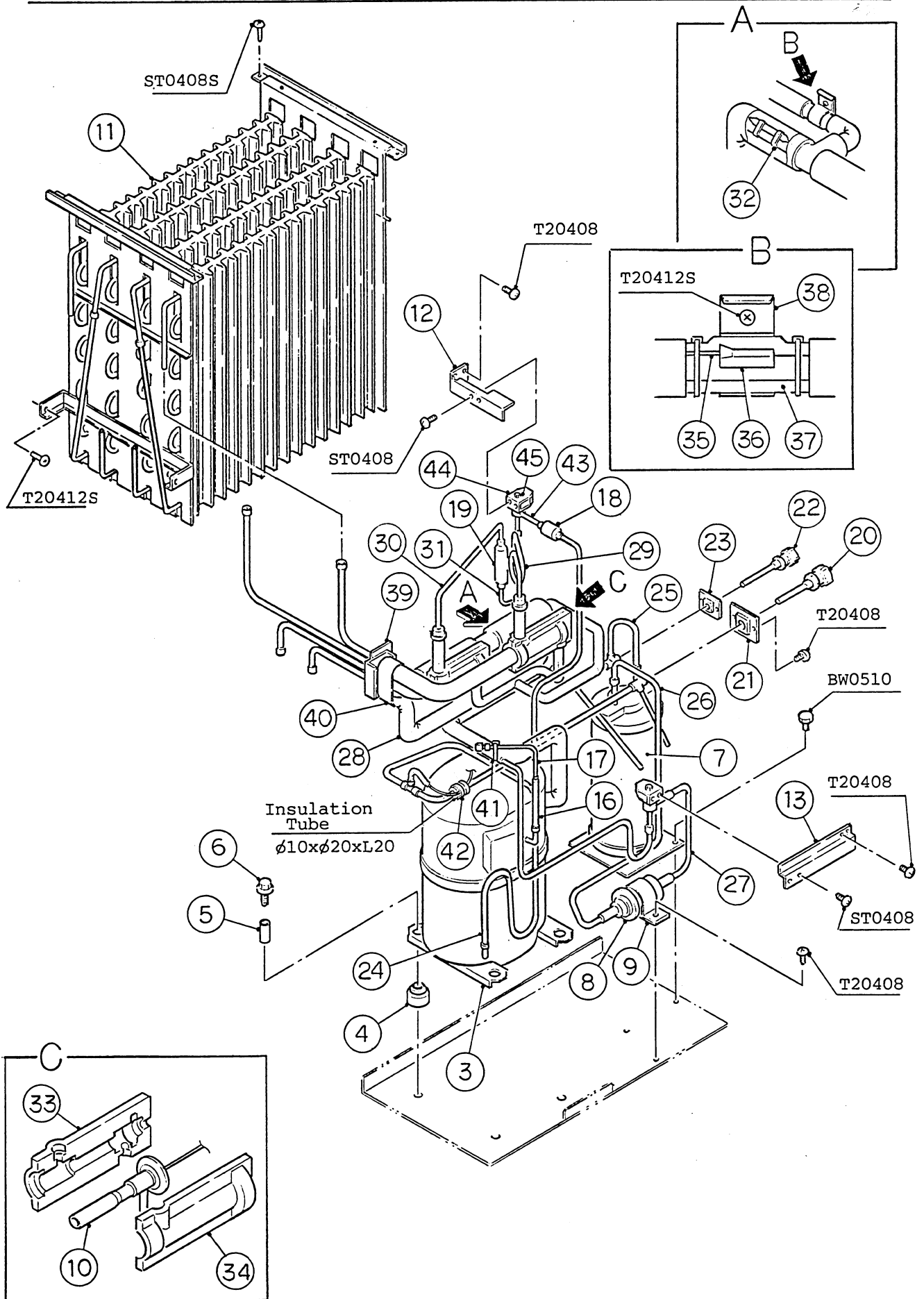
| MODEL: KM-1600MRB TITLE: A. ICE CUBER ASSY | | | | | | | |
|--|-----------------------|--------------------------|-------------|--------------|--|--|--|
| INDEX NO. | DESCRIPTION | MATERIAL OR MODEL NUMBER | PART NUMBER | REQ'D NUMBER | | | |
| | | | | A-1 | | | |
| B | REFRIGERATION UNIT | - | 105200A01 | 1 | | | |
| C | WATER CIRCUIT | - | 105060A01 | 1 | | | |
| D | CONT. BOX ASSY | - | 215441A01 | 1 | | | |
| E | LABEL LOCATION | - | 326279A01 | 1 | | | |
| F | CAPACITOR BOX ASSY | - | 326126A01 | 1 | | | |
| 1 | EVAP. CASE | - | 105061G02 | 1 | | | |
| 2 | CONT. BOX COVER | G.S | 322616G02 | 1 | | | |
| 3 | FRAME (F) | G.S | 325688G01 | 1 | | | |
| 4 | SQUARE WASHER | COPPER | 433537-02 | 2 | | | |
| 5 | SCREW - GROUNDING | BRASS | 433304-02 | 2 | | | |
| 6 | BUSHING | SR-30-1 | 420472-03 | 1 | | | |
| 7 | JUNCTION BOX COVER | G.S | 433410-01 | 2 | | | |
| 8 | CLAMP | NO.249 | 427902-03 | 7 | | | |
| 9 | CLAMP | NO. 248 | 427902-04 | 2 | | | |
| 10 | CONDUIT | COPPER | 325678G01 | 1 | | | |
| 11 | BUSHING | OCB-500 | 428394-02 | 1 | | | |
| 12 | SEPARATOR | S.S | 322687-01 | 1 | | | |
| 13 | TOP INSULATION | ABS, PE | 322714G01 | 1 | | | |
| 14 | FRONT INSULATION | ABS,PE | 322711G01 | 1 | | | |
| 15 | SIDE PANEL (R) | S.S | 212688G01 | 1 | | | |
| 16 | FRAME (G) | - | 439086G01 | 1 | | | |
| 17 | FRONT PANEL | S.S | 212686-01 | 1 | | | |
| 18 | EDGING | EE-12 | 435297-01 | 1 | | | |
| 19 | BUSHING | SB-625-8 | 420470-01 | 1 | | | |
| 20 | TRANSFORMER BOX MOUNT | G.S | 325691-01 | 1 | | | |
| 21 | BULB HOLDER | - | 322815G01 | 1 | | | |
| 22 | BULB HOLDER (A) | S.S | 433707-01 | 1 | | | |
| 23 | BULB HOLDER (B) | ABS | 436549-01 | 1 | | | |
| 24 | BUSHING | EPDM | 425307-01 | 1 | | | |
| 25 | TOP PANEL | (323836A01) | 212687-01 | 1 | | | |
| 26 | GASKET | (323836A01) | 427014-04 | 3 | | | |

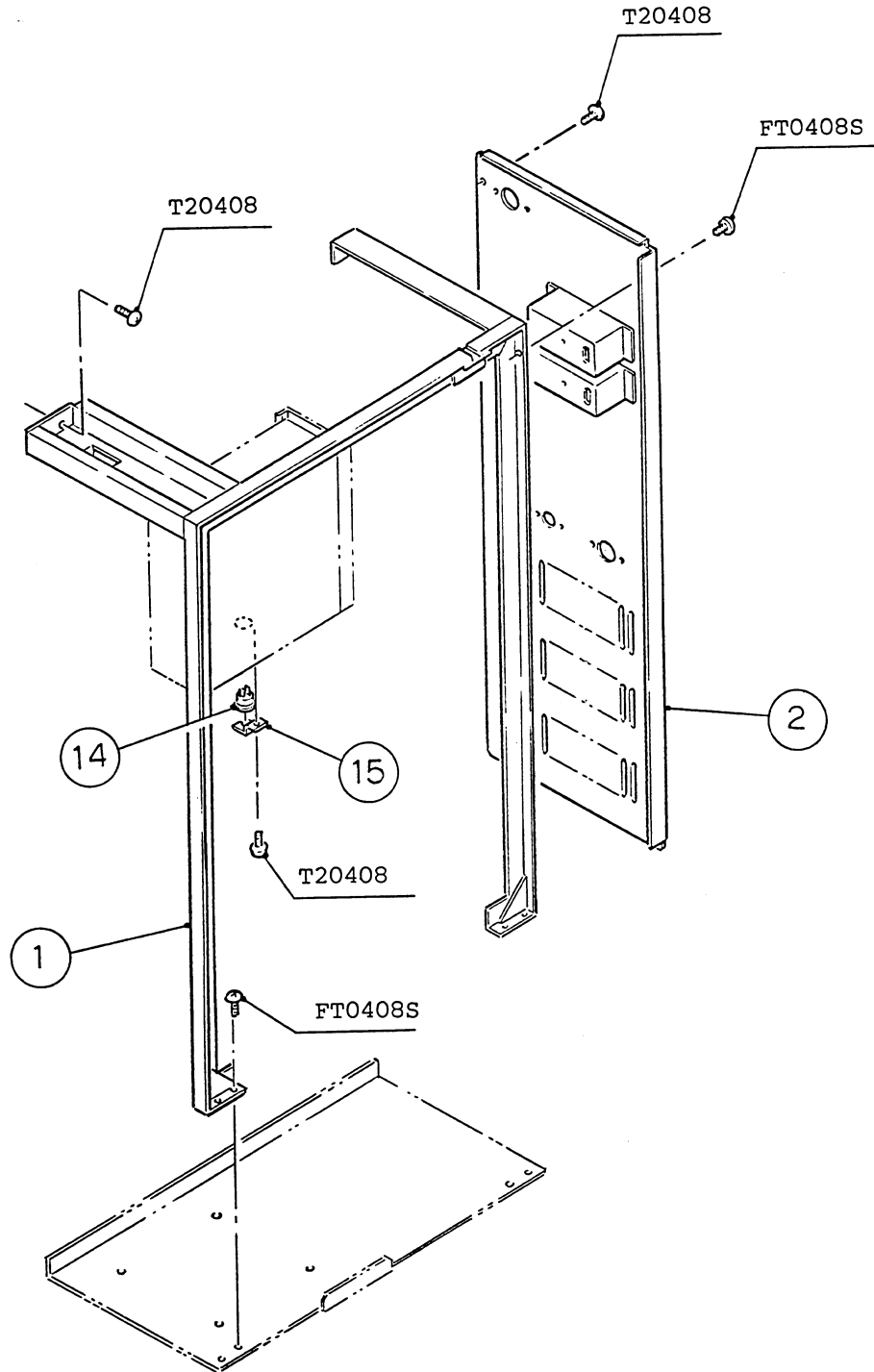




HA

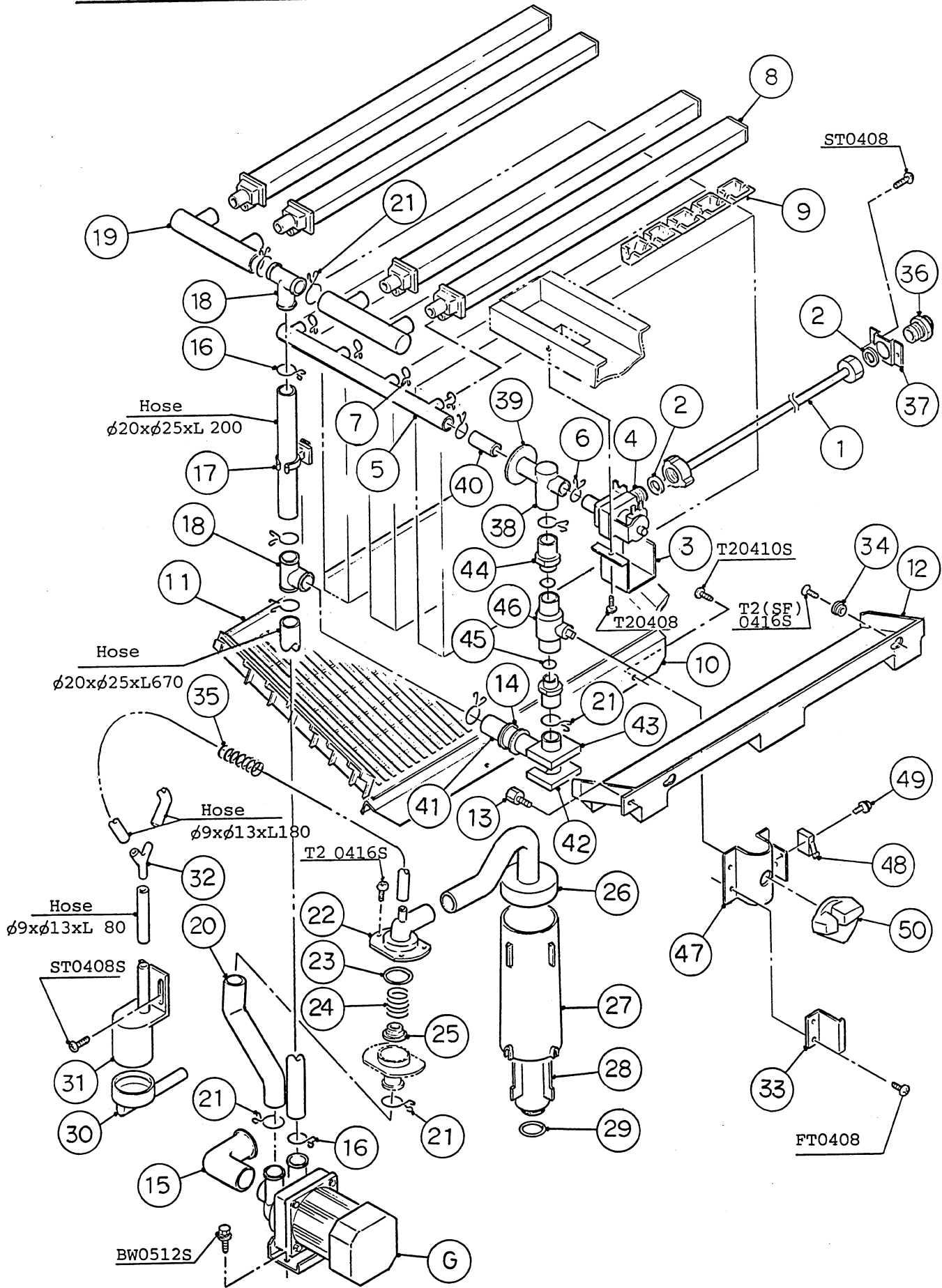
| MODEL: KM-1600MWB | | TITLE: B. REFRIGERATION UNIT | | | | | |
|-------------------|-------------------------------|------------------------------|-------------|--------------|--|--|--|
| INDEX NO. | DESCRIPTION | MATERIAL OR MODEL NUMBER | PART NUMBER | REQ'D NUMBER | | | |
| | | | | A-1 | | | |
| 1 | FRAME | G.S | 215253G01 | 1 | | | |
| 2 | REAR PANEL | G.S | 215239G01 | 1 | | | |
| 3 | FRAME (F) | G.S | 325688G01 | 1 | | | |
| 4 | COMPRESSOR | H23A463ABCA | 438202-02 | 1 | | | |
| 5 | GROMMET | - | 434922-01 | 4 | | | |
| 6 | SPACER | - | 432921-01 | 4 | | | |
| 7 | BOLT | 8x45 | 437889-01 | 4 | | | |
| 8 | DRIER | DM2-Y903HDU-1 | 439676-01 | 1 | | | |
| 9 | DRIER BRACKET | G.S | 438211-01 | 1 | | | |
| 10 | EXP. VALVE | HFE-15RHD-1 | 438212-01 | 2 | | | |
| 11 | EVAPORATOR | - | 104442G01 | 1 | | | |
| 12 | HOT GAS VALVE BRACKET | G.S | 325689G01 | 1 | | | |
| 13 | LINE VALVE BRACKET | G.S | 439087-01 | 1 | | | |
| 14 | PRESSURE SWITCH | ACB-2UB02 | 433441-01 | 1 | | | |
| 15 | PRESSURE SWITCH BRACKET | G.S | 434938-01 | 1 | | | |
| 16 | COPPER TUBE -ACCESS VALVE | COPPER | 439089-01 | 1 | | | |
| 17 | ACCESS VALVE | TCJ-2F15-HD | 417366-01 | 2 | | | |
| 18 | WATER REGULATOR | WV-5HD-1 | 438216-01 | 1 | | | |
| 19 | FITTING | BRONZE | 322710-01 | 2 | | | |
| 20 | STRAINER | - | 430365-02 | 1 | | | |
| 21 | CHECK VALVE | YCV5-2 | 425342-01 | 2 | | | |
| 22 | COPPER TUBE (A) -HIGH SIDE | COPPER | 105201G01 | 1 | | | |
| 23 | COPPER TUBE (D) -HIGH SIDE | COPPER | 439665-01 | 1 | | | |
| 24 | HEAT EXCHANGER | COPPER | 105057G01 | 1 | | | |
| 25 | COPPER TUBE (R) -LOW SIDE | COPPER | 215249G02 | 1 | | | |
| 26 | COPPER TUBE (L) -LOW SIDE | COPPER | 215250G02 | 1 | | | |
| 27 | COPPER TUBE - HOT GAS | COPPER | 325941-G01 | 1 | | | |
| 28 | CONDENSER - WATER-COOLED ASSY | - | 105196G01 | 1 | | | |
| 29 | COPPER TUBE - (C) | COPPER | 439088G01 | 1 | | | |
| 30 | CLAMP | D11-S | 435254-04 | 4 | | | |





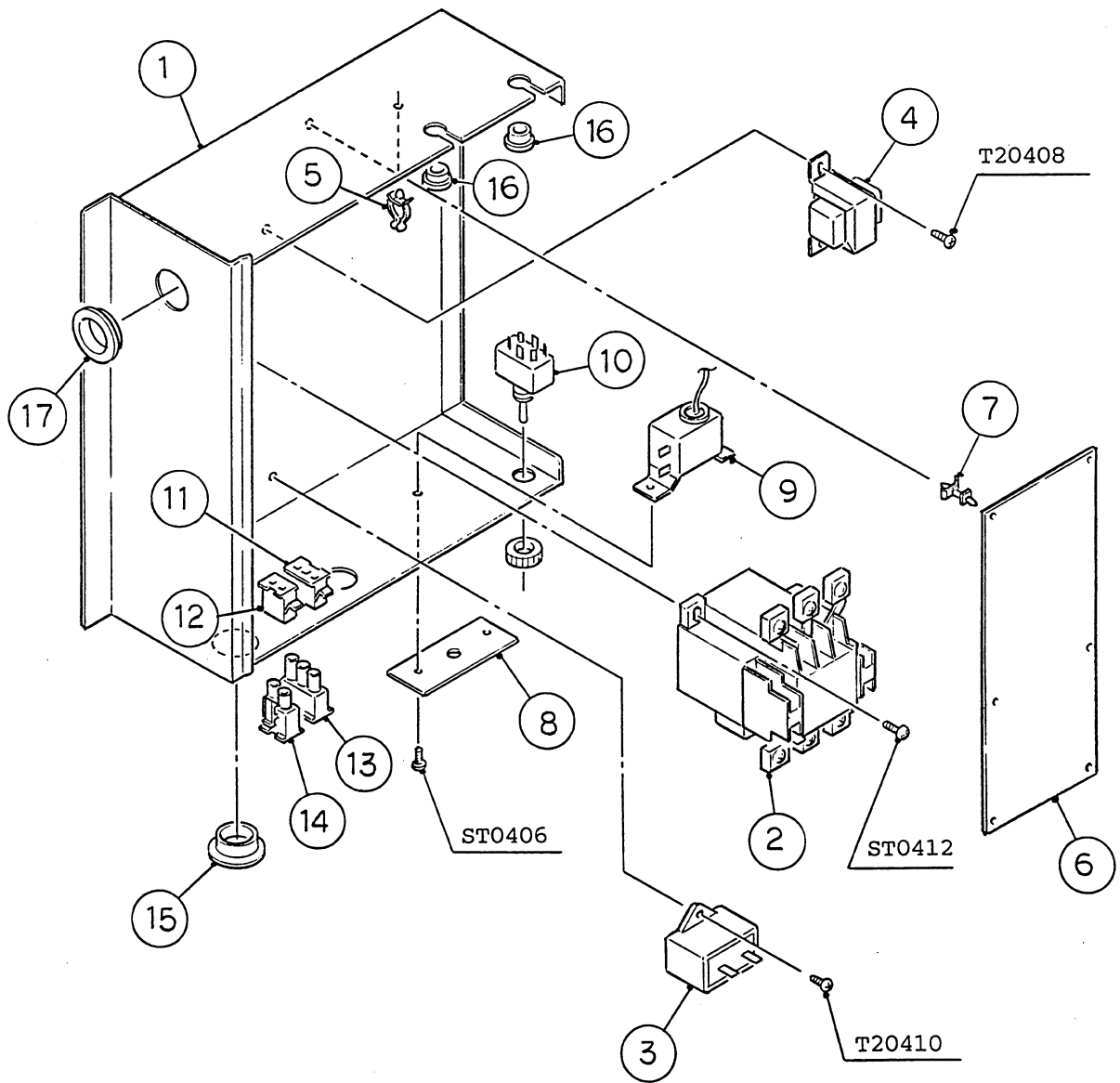
HA

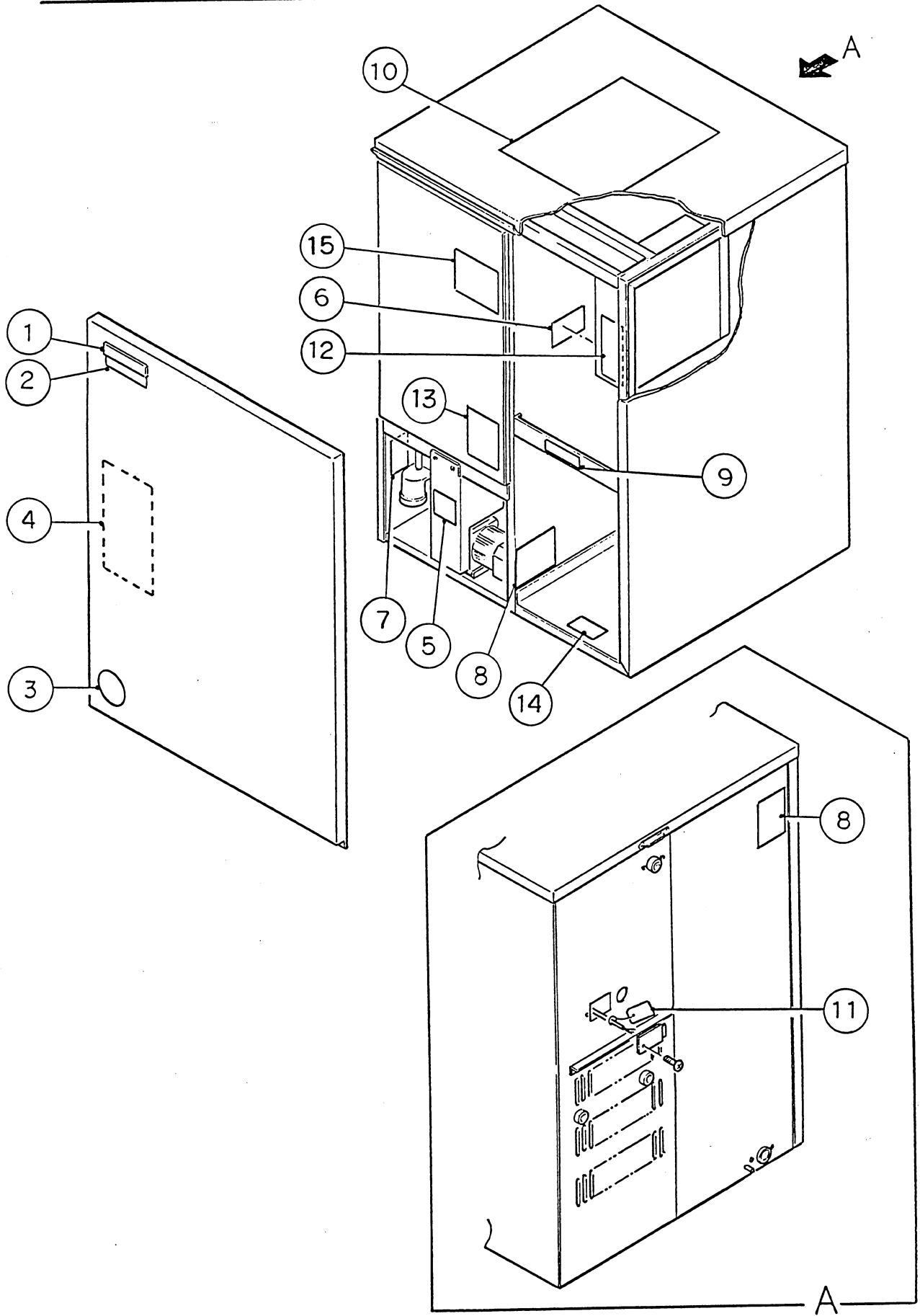
| MODEL: KM-1600MRB TITLE: B. REFRIGERATION UNIT | | | | | | | |
|--|-----------------------------|--------------------------|-------------|--------------|--|--|--|
| INDEX NO. | DESCRIPTION | MATERIAL OR MODEL NUMBER | PART NUMBER | REQ'D NUMBER | | | |
| | | | | A-1 | | | |
| 1 | FRAME | G.S | 215253G01 | 1 | | | |
| 2 | REAR PANEL | G.S | 215241G01 | 1 | | | |
| 3 | COMPRESSOR | H23A463ABCA | 438202-01 | 1 | | | |
| 4 | GROMMET | - | 434922-01 | 4 | | | |
| 5 | SPACER | - | 434921-01 | 4 | | | |
| 6 | BOLT | 8x45 | 437889-01 | 4 | | | |
| 7 | RECEIVER | RR MN WP450 | 438209-01 | 1 | | | |
| 8 | DRIER | DM2-Y903HDU-1 | 439676-01 | 1 | | | |
| 9 | DRIER BRACKET | G.S | 438211-01 | 1 | | | |
| 10 | EXP. VALVE | HFE-15RHD-1 | 438212-01 | 2 | | | |
| 11 | EVAPORATOR | - | 104442G01 | 1 | | | |
| 12 | HOT GAS VALVE BRACKET | G.S | 325689G01 | 1 | | | |
| 13 | LINE VALVE BRACKET | G.S | 439087-01 | 1 | | | |
| 14 | PRESSURE SWITCH | ACB-2UB04 | 433441-05 | 1 | | | |
| 15 | PRESSURE SWITCH BRACKET | G.S | 434938-01 | 1 | | | |
| 16 | COPPER TUBE -ACCESS VALVE | COPPER | 439089-01 | 1 | | | |
| 17 | ACCESS VALVE | TCJ-2F15-HD | 417366-01 | 1 | | | |
| 18 | STRAINER | - | 430365-02 | 1 | | | |
| 19 | CHECK VALVE | YCV5-2 | 425342-01 | 2 | | | |
| 20 | COUPLING | - | 434136G01 | 1 | | | |
| 21 | TUBE HOLDER (L) | G.S | 438245-01 | 1 | | | |
| 22 | COUPLING | - | 433751G01 | 1 | | | |
| 23 | TUBE HOLDER (S) | G.S | 438246-01 | 1 | | | |
| 24 | COPPER TUBE (A) - HIGH SIDE | COPPER | 105202G01 | 1 | | | |
| 25 | COPPER TUBE (B) - HIGH SIDE | COPPER | 325677G01 | 1 | | | |
| 26 | COPPER TUBE (C) - HIGH SIDE | COPPER | 326244-01 | 1 | | | |
| 27 | COPPER TUBE (D) -HIGH SIDE | COPPER | 439665-01 | 1 | | | |
| 28 | HEAT EXCHANGER | COPPER | 105057G01 | 1 | | | |
| 29 | COPPER TUBE (R) -LOW SIDE | COPPER | 215249G01 | 1 | | | |
| 30 | COPPER TUBE (L) -LOW SIDE | COPPER | 215250G01 | 1 | | | |
| 31 | COPPER TUBE - HOT GAS | COPPER | 325941G01 | 1 | | | |

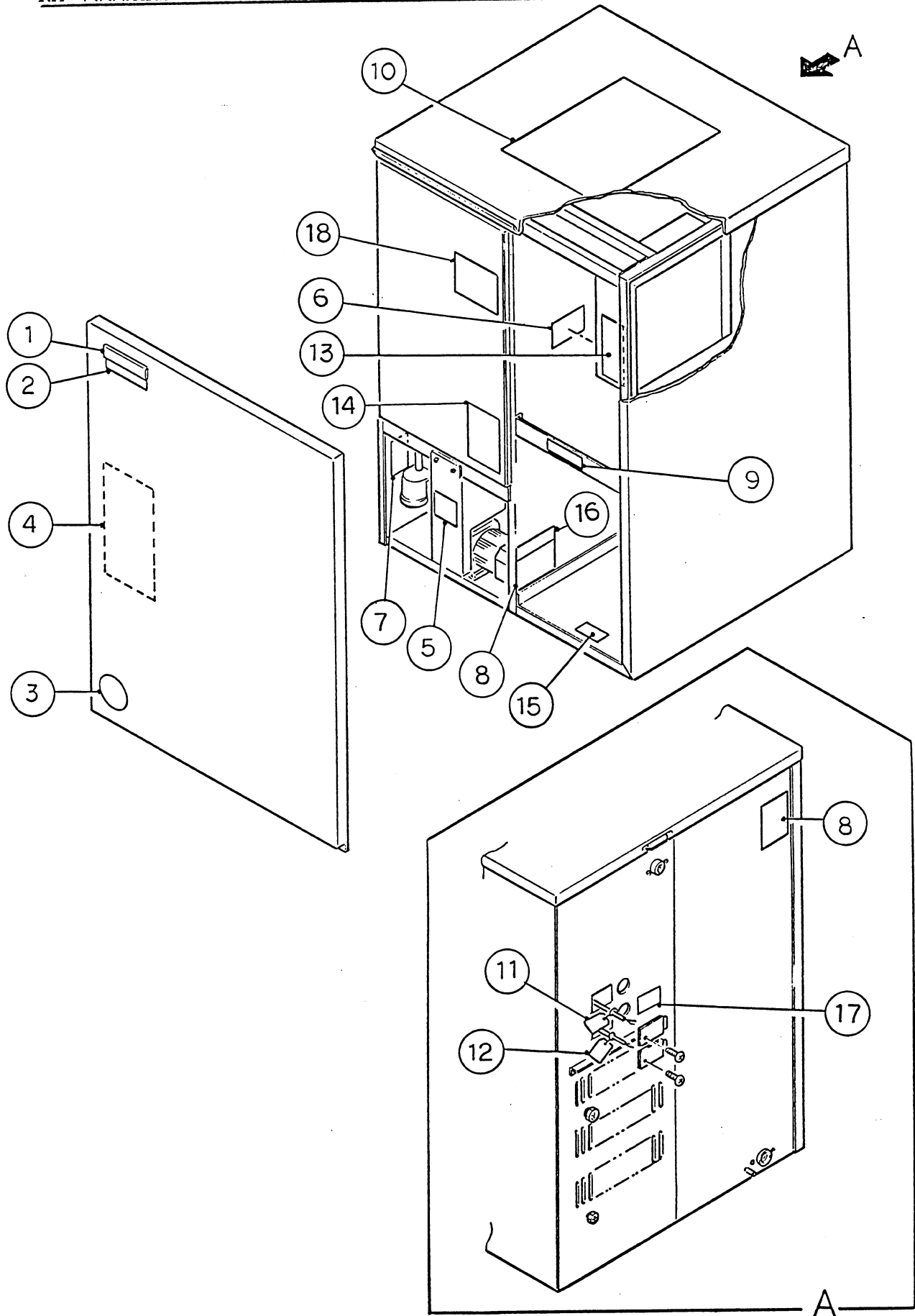


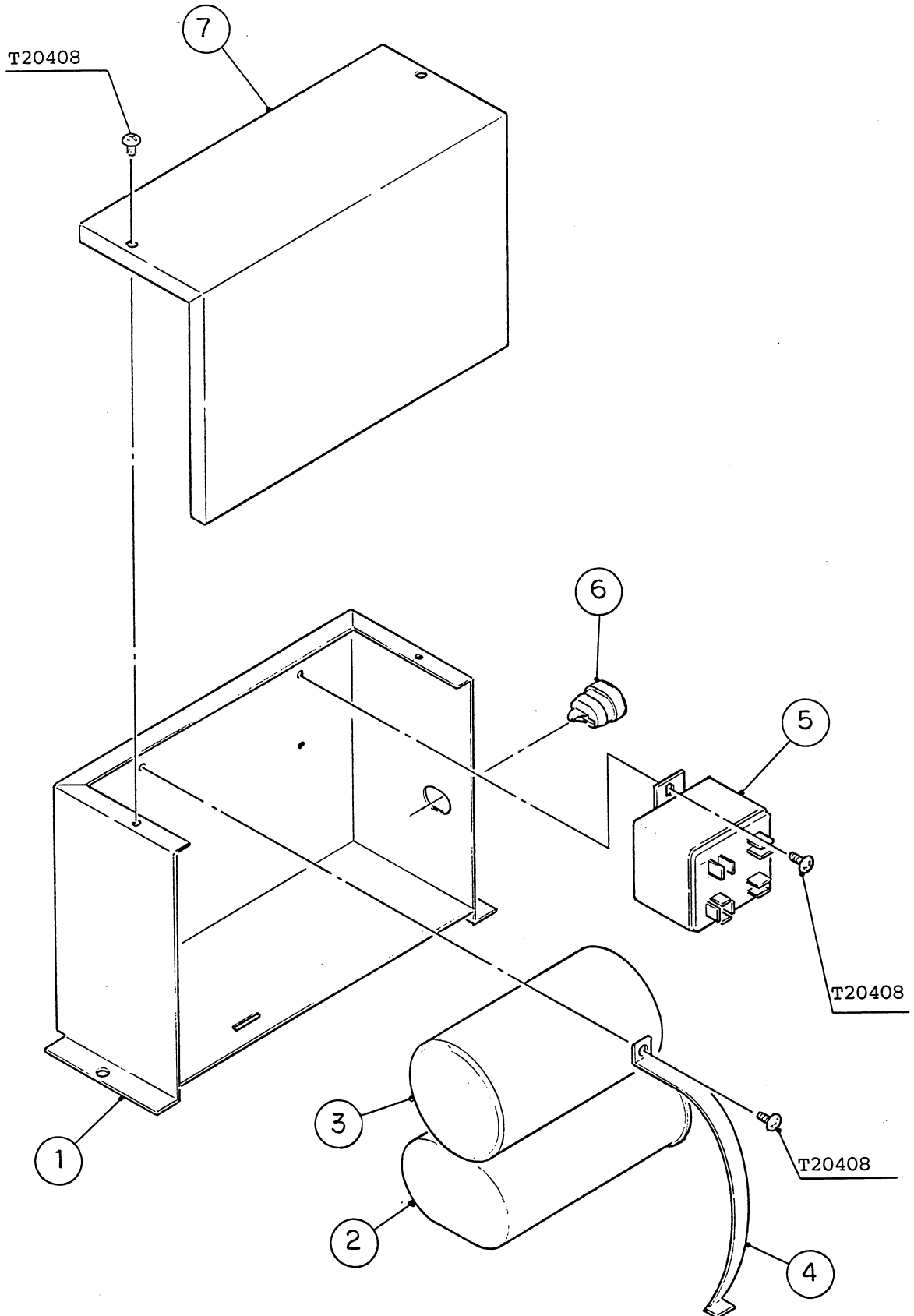
HA

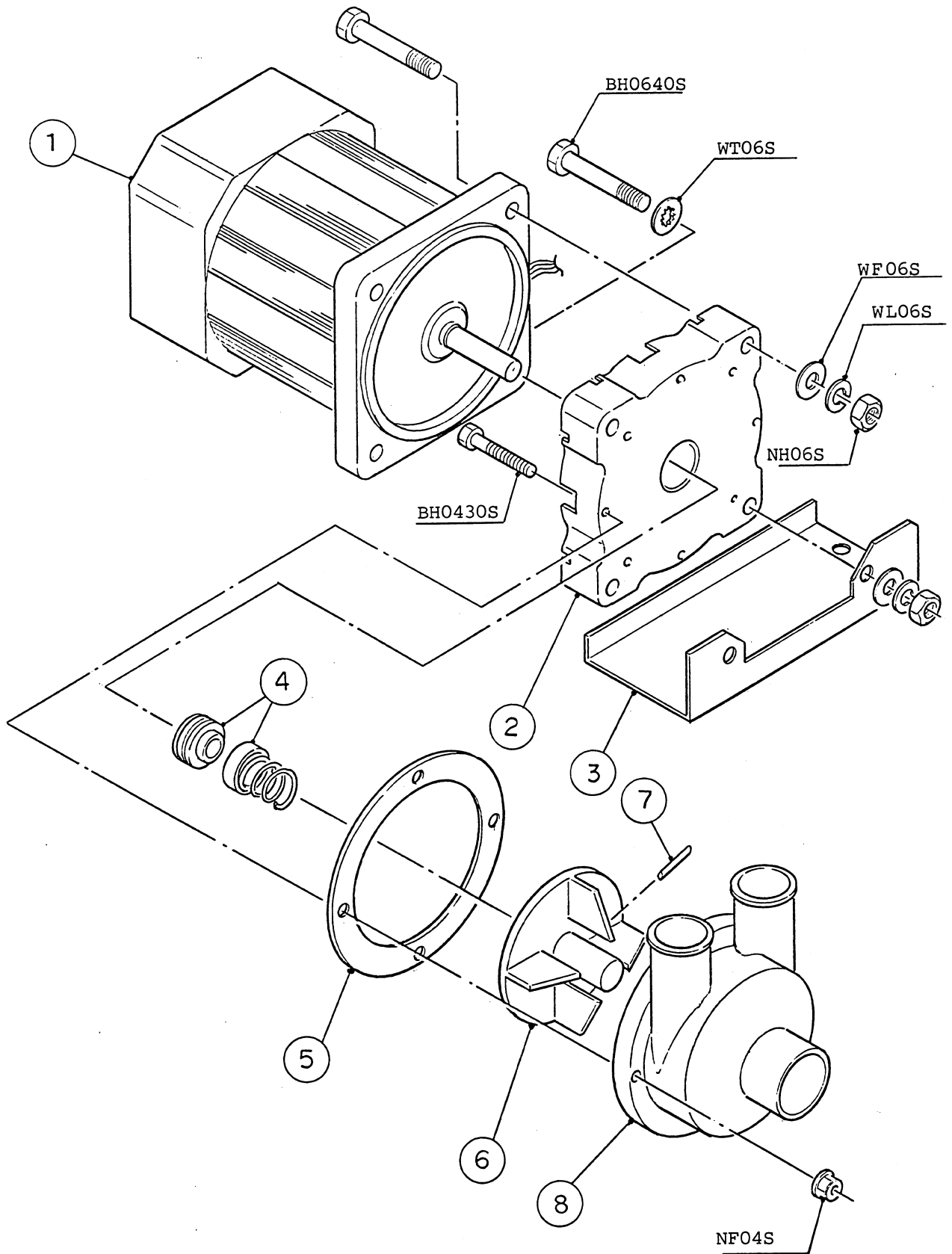
| MODEL: KM-1600MWB,MRB TITLE: C. WATER CIRCUIT | | | | | | | |
|---|--------------------------|--------------------------|-------------|--------------|--|--|--|
| INDEX NO. | DESCRIPTION | MATERIAL OR MODEL NUMBER | PART NUMBER | REQ'D NUMBER | | | |
| | | | | A-1 | | | |
| G | PUMP MOTOR ASSY | (S-0731) | 215693A01 | 1 | | | |
| 1 | WATER SUPPLY PIPE | COPPER | 436670G01 | 1 | | | |
| 2 | RUBBER GASKET | NBR | 413854-01 | 2 | | | |
| 3 | WATER VALVE BRACKET | G.S | 321443-01 | 1 | | | |
| 4 | WATER VALVE | J248-030 | 3U0111-01 | 1 | | | |
| 5 | DISTRIBUTOR HOSE | EPDM | 325933-01 | 1 | | | |
| 6 | HOSE CLAMP | S.S, 18MM | 427443-05 | 2 | | | |
| 7 | HOSE CLAMP | S.S, 13.5MM | 427443-07 | 4 | | | |
| 8 | SPRAY TUBE | ABS | 433520G01 | 4 | | | |
| 9 | SPRAY GUIDE (A) | PE | 208586-01 | 12 | | | |
| 10 | PLATE | S.S | 435045-01 | 1 | | | |
| 11 | CUBE GUIDE (A) | ABS | 214905-01 | 1 | | | |
| 12 | CUBE GUIDE (B) | ABS | 322644-02 | 1 | | | |
| 13 | THUMBSCREW | ABS, S.S | 415949G01 | 1 | | | |
| 14 | RUBBER RING | EPDM | 439236-01 | 1 | | | |
| 15 | HOSE (A) | EPDM | 435091-01 | 1 | | | |
| 16 | HOSE CLAMP | S.S, 25MM | 427443-03 | 7 | | | |
| 17 | HOLDER | PP | 322692-01 | 2 | | | |
| 18 | DISTRIBUTOR | ABS | 432426-01 | 2 | | | |
| 19 | DISTRIBUTOR HOSE (B) | EPDM | 432432-01 | 2 | | | |
| 20 | DRAIN HOSE | EPDM | 435092-01 | 1 | | | |
| 21 | HOSE CLAMP | 27MM | 427443-08 | 4 | | | |
| 22 | DRAIN VALVE (B) | ABS | 322693-01 | 1 | | | |
| 23 | "O"RING | 1AG35 | 7761-G035 | 1 | | | |
| 24 | SPRING | S.S | 322685-01 | 1 | | | |
| 25 | VALVE SEAT | EPDM | 433705-01 | 1 | | | |
| 26 | HOSE (C) | EPDM | 326655-01 | 1 | | | |
| 27 | OVERFLOW CAP | ABS | 322816-01 | 1 | | | |
| 28 | OVERFLOW PIPE | ABS | 322691-01 | 1 | | | |
| 29 | "O"RING | 1AP32 | 7611-P032 | 1 | | | |
| 30 | CONNECTOR - FLOAT SWITCH | EPDM | 422799-01 | 1 | | | |

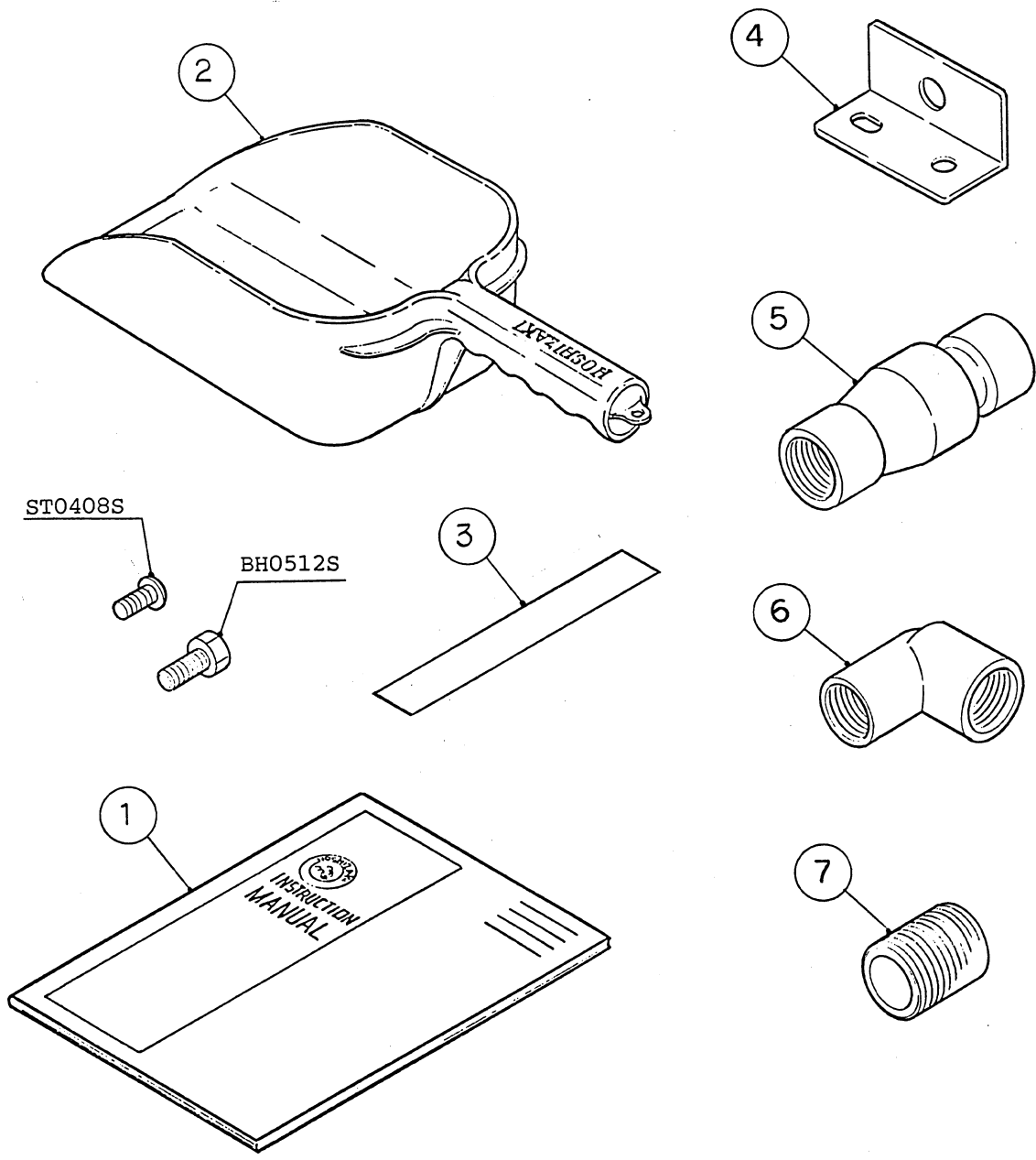












MODULAR CRESCENT CUBER

**MODEL
KM-1600M-B**

PARTS LIST

ISSUED: JUNE 11, 1991

REVISED: -----

PRINTED: SEPT. 27, 1996

ITEM NO: 71061