

NO. 71188

ISSUED: JULY 25, 2001

REVISED: JULY 29, 2003



**HOSHIZAKI
MODULAR CRESCENT CUBER**

MODEL

KM-1600MRH

KM-1600MRH3

PARTS LIST

KM-1600MRH L-0 July 2001

KM-1600MRH3 L-0 July 2001

MATERIAL ABBREVIATIONS

ALUMINUM

AL = Aluminum

COPPER

CU = Copper

PLASTIC

ABS = Acrylonitrile -butadiene - styrene
 AC = Polyacetal
 EVA = Ethylene vinyl acetate
 PA = Polyamide = Nylon
 PC = Polycarbonate
 PE = Polyethylene
 PES = Polyester
 PETP = Polyethylene terephthalate = Tetlon
 PP = Polypropylene
 PS = Polystyrene
 PTFE = Polytetrafluoroethylene = Teflon
 PUR = Polyurethane
 PVC = Polyvinyl chloride

RUBBER

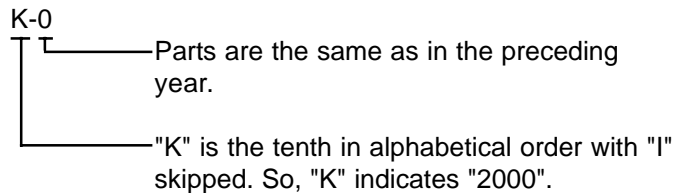
VN = Vinyl Nitrile
 EPDM = EP rubber
 NBR = Nitrile butadiene rubber
 NR = Natural rubber
 NP = Neoprene
 SI.R = Silicone rubber
 SY.R = Synthetic rubber
 EPH = Epichlorohydrin

STEEL

G.S = Galvanized steel
 S.S = Stainless steel
 PS = Plated steel
 PAS = Primed steel

AUXILIARY CODE

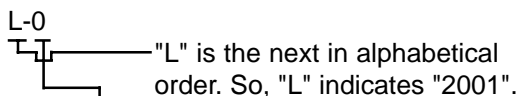
Ex.1



(Note) - = Part deleted.

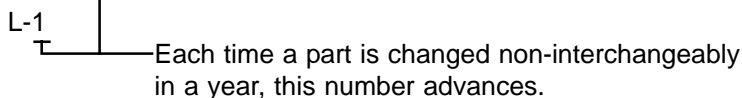
x = Part deleted and replaced by "o" (interchangeable) part.

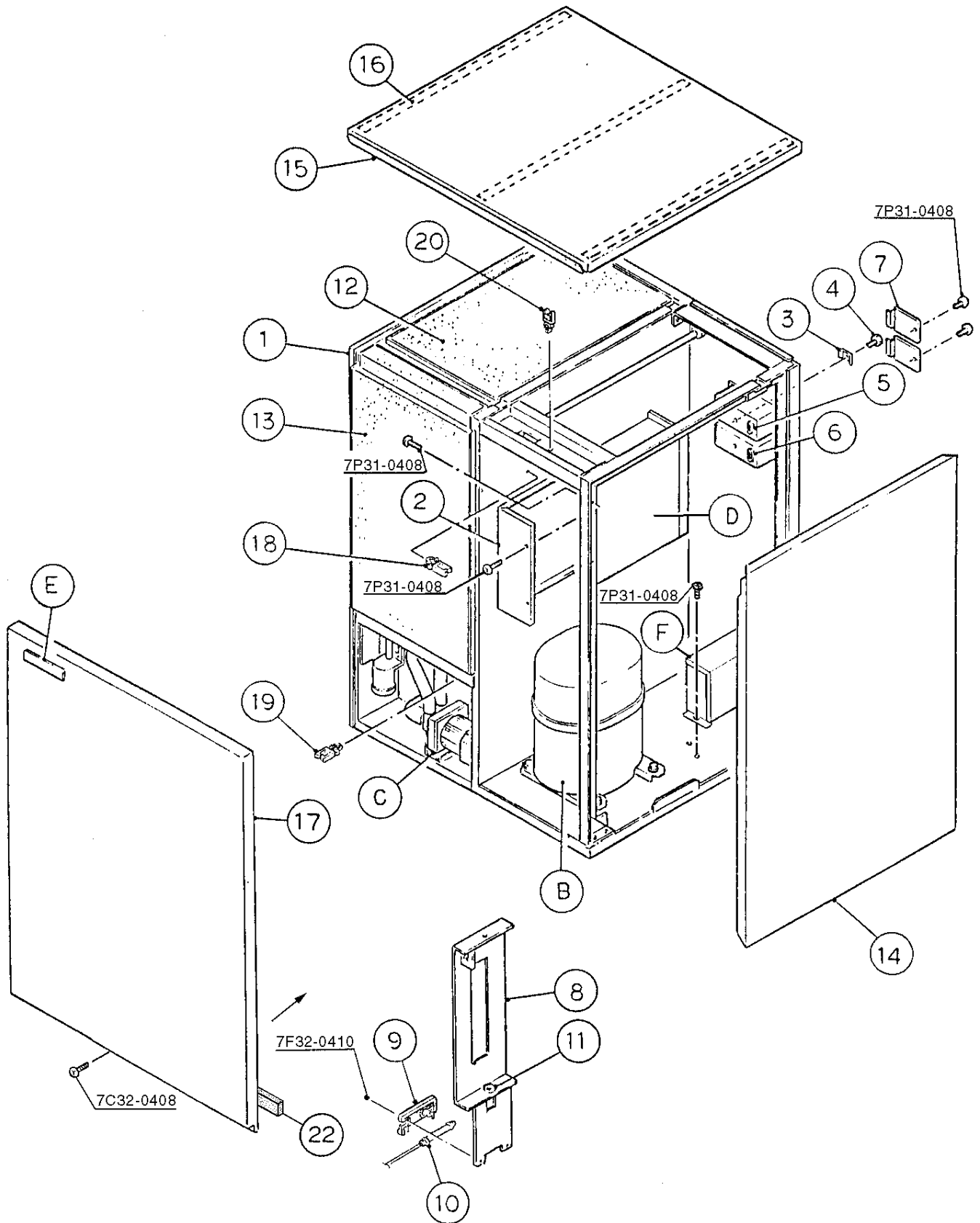
Ex.2

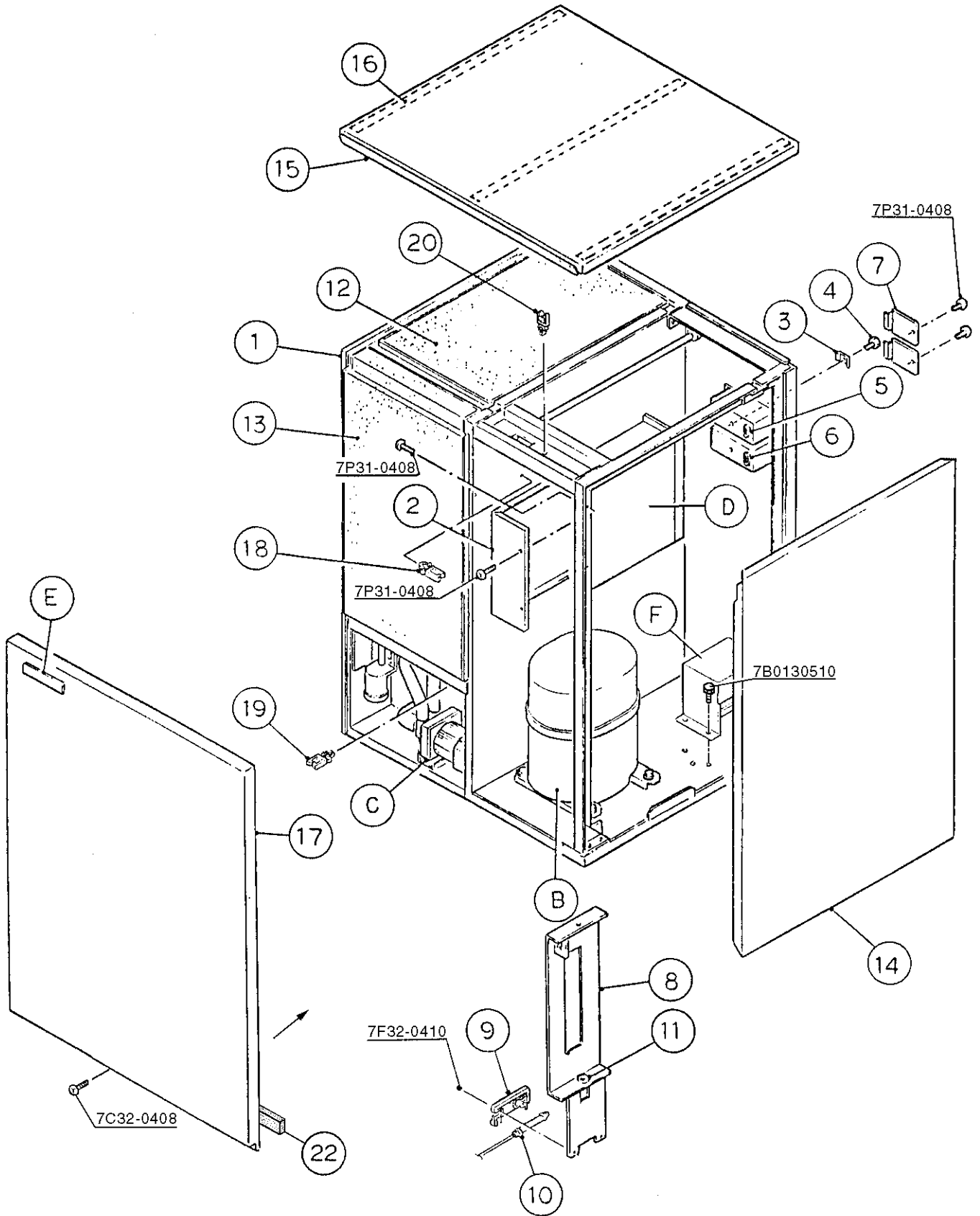


o = New part for "x" in the same auxiliary code.

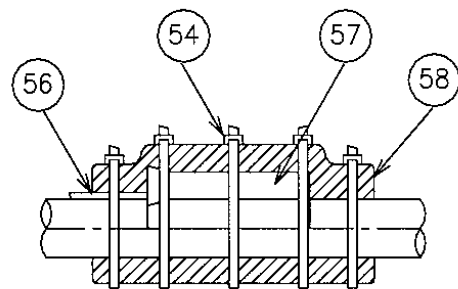
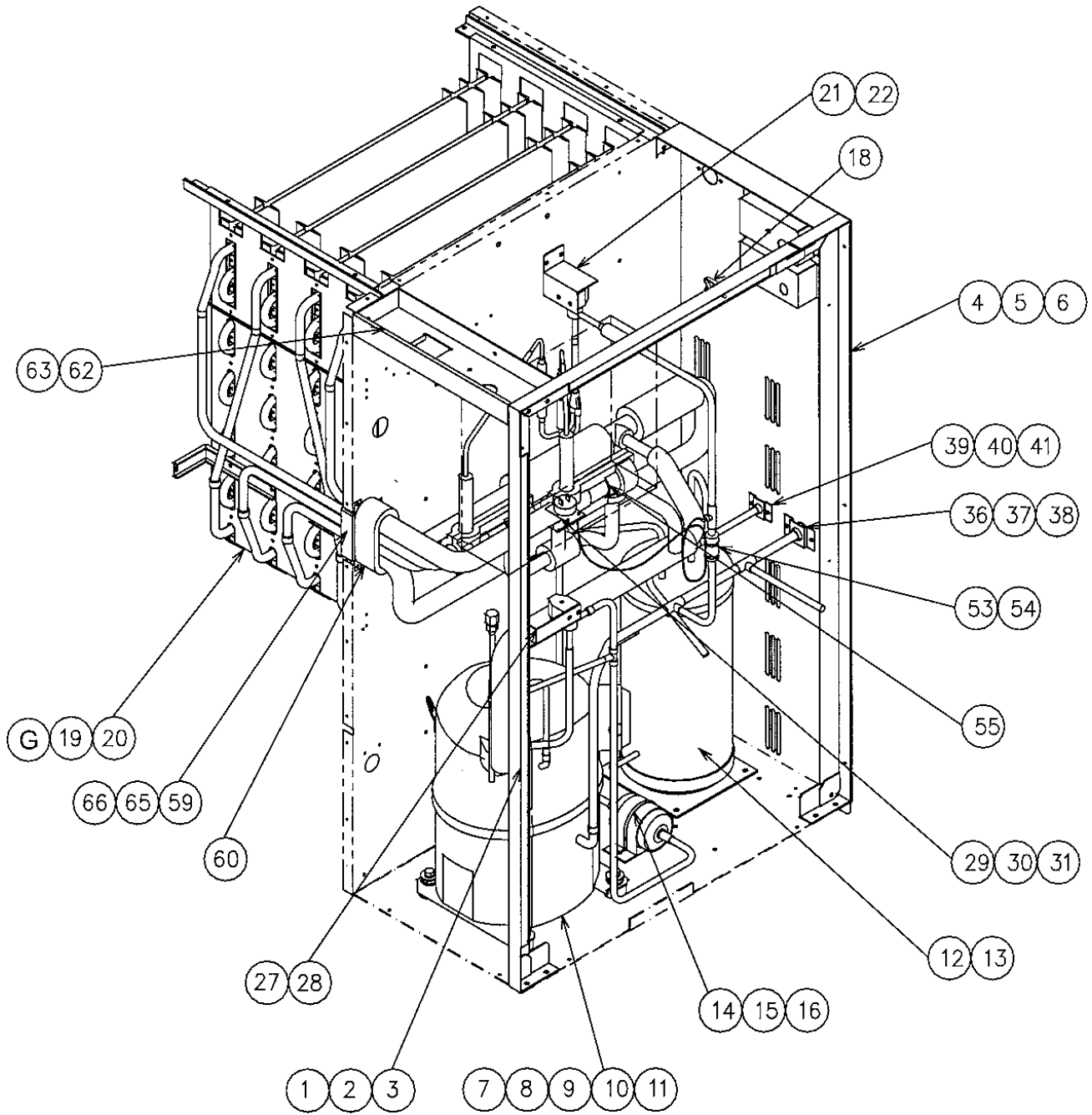
Ex.3



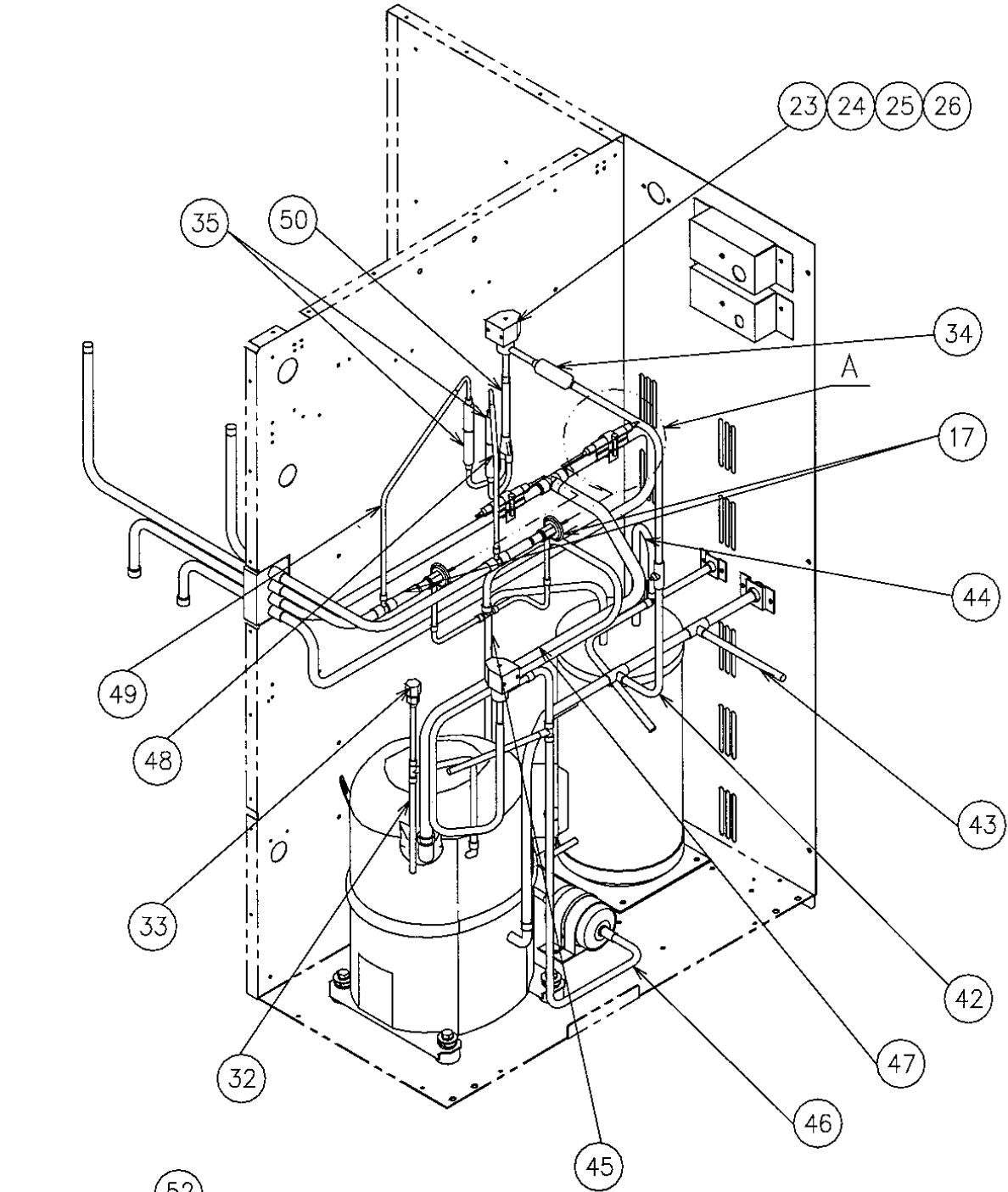




MODEL: KM-1600MRH, KM-1600MRH3 TITLE: A. ICE CUBER ASSEMBLY									
INDEX NO.	DESCRIPTION	MATERIAL OR MODEL NUMBER	PART NUMBER	REQUIRED NUMBER					
				L-0					
B	REFRIGERATION CIRCUIT (MRH)	-	1A0242A03	1					
	REFRIGERATION CIRCUIT (MRH3)	-	1A0242A04	1					
C	WATER CIRCUIT	HS-1201	1A0094A04	1					
D	CONT. BOX ASSEMBLY	HS-1103	2A1122A02	1					
	T2 SCREW	4X8	7P31-0408	3					
E	LABEL LOCATION (MRH)	-	2A2170A01	1					
	LABEL LOCATION (MRH3)	-	2A2170A02	1					
F	CAPACITOR BOX ASSEMBLY (MRH)	-	2A2054A01	1					
	T2 SCREW	4X8	7P31-0408	2					
F	TRANSFORMER BOX ASSEMBLY (MRH3)	-	3A1102A01	1					
	HEX HEAD BOLT W/WASHER (LF)	5X10	7B0130510	4					
1	EVAPORATOR CASE	-	1A0602G02	1					
2	CONT. BOX COVER	GS	3A0174-01	1					
	T2 SCREW	4X8	7P31-0408	2					
3	SQUARE WASHER	COPPER	433537-02	2					
4	SCREW - GROUNDING	BRASS	433304-02	2					
5	BUSHING	SR-30-1	420472-03	1					
6	BUSHING	SR-34-2	420472-05	1					
7	JUNCTION BOX COVER	GS	433410-01	2					
	T2 SCREW	4X8	7P31-0408	2					
8	BULB HOLDER	-	322815G02	1					
9	BULB HOLDER	ABS	328919-01	1					
10	SPACER	PE	443545-01	1					
	FT SCREW	4X10, SS	7F32-0410	2					
11	BUSHING	EPDM	425307-01	1					
12	TOP INSULATION	ABS, PE	322714G01	1					
13	FRONT INSULATION	ABS, PE	322711G01	1					



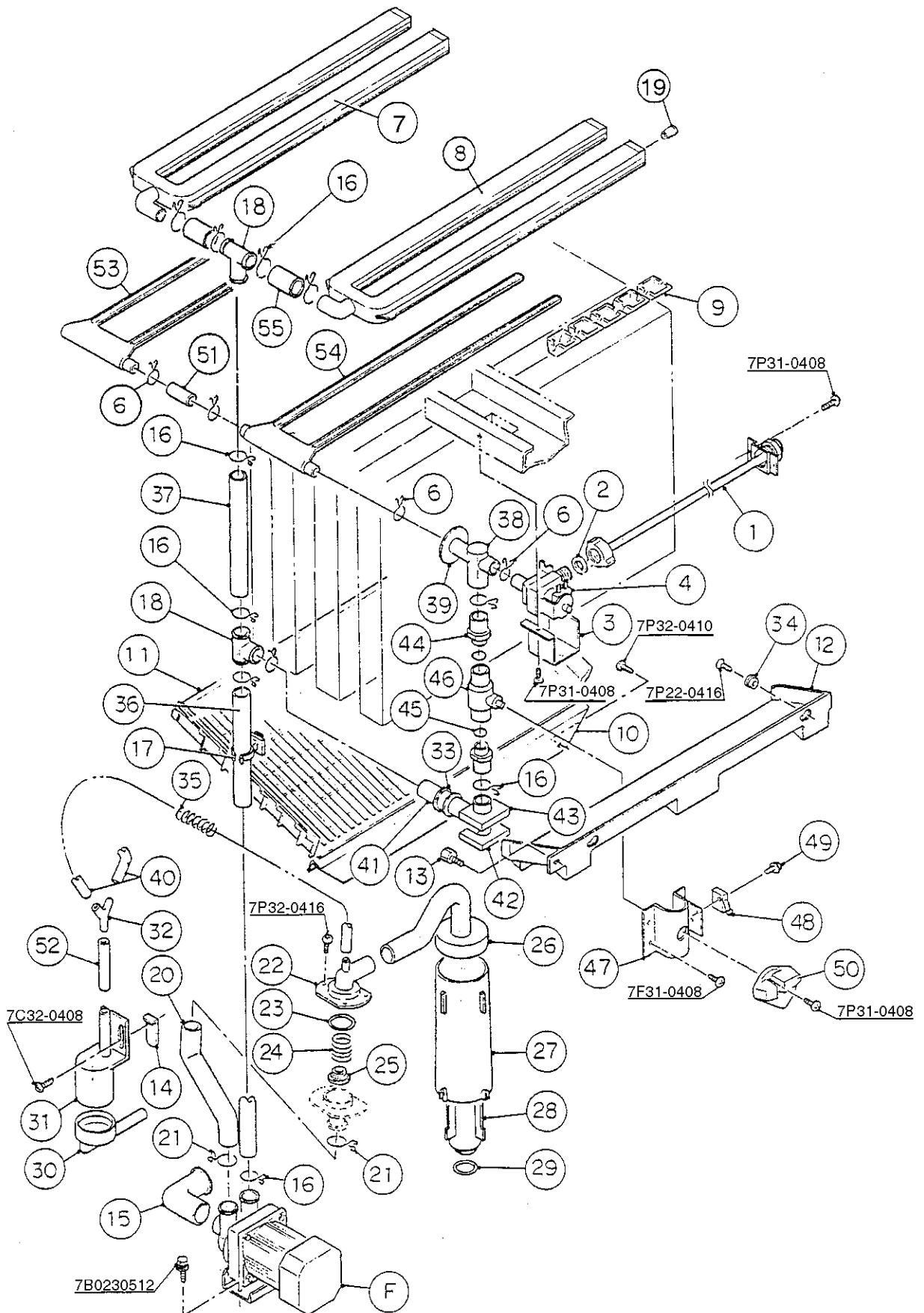
DETAILED THERMISTOR ATTACHING



DETAIL "A" (1:2)

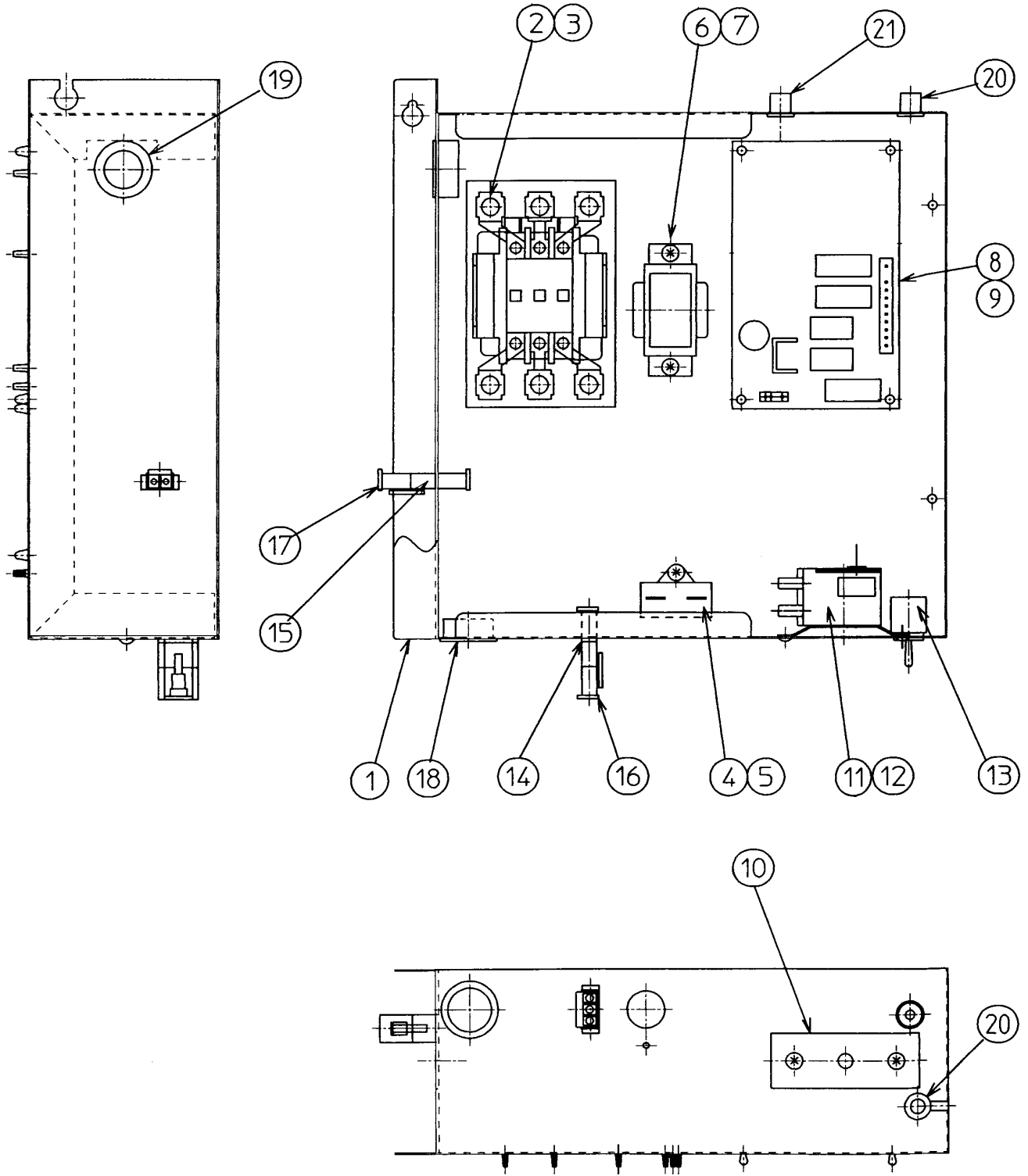
MODEL: KM-1600MRH, KM-1600MRH3 TITLE: B. REFRIGERATION CIRCUIT								
INDEX NO.	DESCRIPTION	MATERIAL OR MODEL NUMBER	PART NUMBER	REQUIRED NUMBER				
				L-0				
G	EVAPORATOR	-	104442G01	1				
1	FRAME	GS	222024G02	1				
2	FT SCREW	4X8, SS	7F32-0408	4				
3	T2 SCREW	4X8	7P31-0408	4				
4	REAR PANEL	GS	222025G03	1				
5	FT SCREW	4X8, SS	7F32-0408	5				
6	T2 SCREW	4X8	7P31-0408	5				
7	COMPRESSOR (KM-1600MRH)	CS20K6E-PFV-279	4A1420-02	1				
8	COMPRESSOR (KM-1600MRH3)	CS20K6E-TF5-279	4A1419-02	1				
9	GROMMET	-	434922-01	4				
10	SPACER	-	434921-01	4				
11	BOLT	8x45	437889-01	4				
12	RECEIVER	RR MN WP450	438209-01	1				
13	HEX HEAD BOLT W/WASHER (LF)	5X10	7B0130510	3				
14	DRIER	CW-053-S	4A1461-01	1				
15	DRIER BRACKET	GS	445251-01	1				
16	T2 SCREW	4X8	7P31-0408	1				
17	EXPANSION VALVE	HFE-15NHD-2	4A1482-01	2				
18	CLAMP	-	4A2338-01	1				
19	TRUSS HEAD SCREW	4x8, SS	7C31-0408	4				
20	T2 SCREW	4x8, SS	7P32-0408	2				
21	HOT GAS VALVE BRACKET	GS	444816-01	1				
22	T2 SCREW	4X8	7P31-0408	2				
23	VALVE BODY	70	440352-01	2				
24	COIL - VALVE	ABS-25-1-HD-2	440353-01	2				
25	BOLT	4x6	440353F01	2				
26	TRUSS HEAD SCREW	4X8	7C31-0408	4				
27	LINE VALVE BRACKET	GS	4A1544-01	1				
28	T2 SCREW	4X8	7P31-0408	2				
29	PRESSURE SWITCH	ACB-1UB09	433441-07	1				

MODEL: KM-1600MRH, KM-1600MRH3					TITLE: B. REFRIGERATION CIRCUIT				
INDEX NO.	DESCRIPTION	MATERIAL OR MODEL NUMBER	PART NUMBER	REQUIRED NUMBER					
				L-0					
30	PRESS. SWITCH BRACKET	GS	434938-01	1					
31	T2 SCREW	4x8	7P32-0408	1					
32	COPPER TUBE - ACCESS VALVE	COPPER	4A1497G01	1					
33	ACCESS VALVE	FV180D001	457729-01	1					
34	STRAINER	-	441569-02	1					
35	CHECK VALVE	SKC30564	4A1373-01	2					
36	COUPLING	-	434136G01	1					
37	TUBE HOLDER - L	GS	438245-01	1					
38	T2 SCREW	4X8	7P31-0408	2					
39	COUPLING	-	433751G01	1					
40	TUBE HOLDER - S	GS	438246-01	1					
41	T2 SCREW	4X8	7C31-0408	2					
42	COPPER TUBE (A) - HIGH SIDE	COPPER	2A1141G01	1					
43	COPPER TUBE (B) - HIGH SIDE	COPPER	447737G01	1					
44	COPPER TUBE (D) - HIGH SIDE	COPPER	334095G01	1					
45	COPPER TUBE (E) - HIGH SIDE	COPPER	3A1005-01	1					
46	COPPER TUBE (F) - HIGH SIDE	COPPER	2A1139G01	1					
47	HEAT EXCHANGER	COPPER	1A0246G01	1					
48	COPPER TUBE (R) - LOW SIDE	COPPER	222029G01	1					
49	COPPER TUBE (L) - LOW SIDE	COPPER	222030G01	1					
50	COPPER TUBE - HOT GAS	COPPER	3A0213G01	1					
51	HOLDER / EXPANSION VALVE - 1/2	SS	3A0107-01	2					
52	CLAMP	SS	443461-01	2					
53	INSULATION TUBE	L=40	7762-1020	1					
54	CABLE TIE	-	7920-0010	12					
55	EXPANSION VALVE COVER	PE FOAM	3A0944-01	2					
56	THERMISTOR	-	429006-03	1					

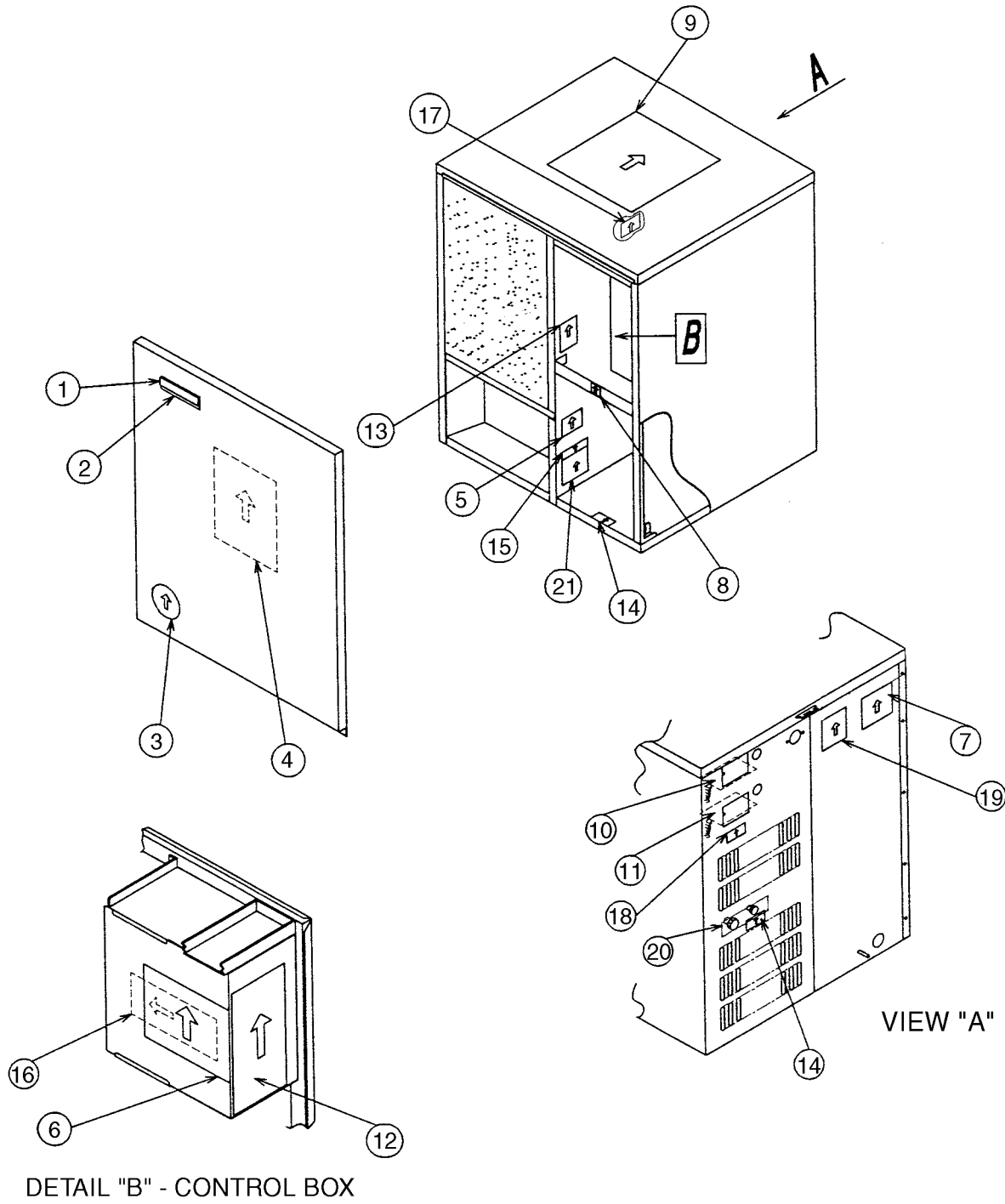


MODEL: KM-1600MRH, KM-1600MRH3 TITLE: C. WATER CIRCUIT									
INDEX NO.	DESCRIPTION	MATERIAL OR MODEL NUMBER	PART NUMBER	REQUIRED NUMBER					
				L-0					
H	PUMP MOTOR ASSEMBLY	(S-0731)	215693A01	1					
	HEX HEAD BOLT W/WASHER (LF)	SS, 5X12	7B0230512	1					
1	WATER SUPPLY PIPE	COPPER	4A0768G01	1					
	T2 SCREW	4X8	7P31-0408	2					
2	RUBBER GASKET	NR	413854-03	1					
3	WATER VALVE BRACKET	GS	321443-01	1					
	T2 SCREW	4X8	7P31-0408	1					
4	WATER VALVE	J248-030	3U0111-01	1					
5	-	-	-						
6	HOSE CLAMP	SS, 18MM	427443-05	4					
7	SPRAY TUBE	PE	1A0260-02	1					
8	SPRAY TUBE	PE	1A0260-01	1					
9	SPRAY GUIDE (A)	PE	208586-01	12					
10	PLATE	SS	3A0133-01	1					
	T2 SCREW	SS, 4X10	7P32-0410	4					
11	CUBE GUIDE (A)	SS	214905-01	1					
12	CUBE GUIDE (B)	ABS	322644-02	1					
13	THUMBSCREW	ABS, SS	415949G01	1					
14	FLOAT SWITCH STOP	SS	4A0137-01	1					
15	HOSE (A)	EPDM	435091-01	1					
16	HOSE CLAMP	SS, 25MM	427443-03	11					
17	HOLDER	PP	322692-01	1					
18	DISTRIBUTOR	ABS	432426-01	2					
19	PLUG	EPDM	4A0176-01	4					
20	DRAIN HOSE	EPDM	435092-01	1					
21	HOSE CLAMP	SS, 27MM	427443-08	2					
22	DRAIN VALVE (B)	ABS	3A1170-01	1					

MODEL: KM-1600MRH, KM-1600MRH3 TITLE: C. WATER CIRCUIT									
INDEX NO.	DESCRIPTION	MATERIAL OR MODEL NUMBER	PART NUMBER	REQUIRED NUMBER					
				L-0					
23	"O" RING	1AG35	7611-G035	1					
24	SPRING	SS	322685-01	1					
25	VALVE SHEET	EPDM	433705-01	1					
	T2 SCREW	SS, 4X16	7P32-0416	3					
26	HOSE (C)	EPDM	326655-01	1					
27	OVERFLOW CAP	ABS	322816-01	1					
28	OVERFLOW PIPE	ABS	322691-01	1					
29	"O" RING	-	4A1234-01	1					
30	CONNECTOR - FLOAT SWITCH	EPDM	426799-01	1					
31	FLOAT SWITCH	163790	4A0886-02	1					
	TRUSS HEAD SCREW	SS, 4X8	7C32-0408	2					
32	CONNECTOR	ABS	432763-01	1					
33	RUBBER RING	TSE2571-5U	439236-01	1					
34	COLLAR	ABS	435269-01	2					
	T2 FLAT HEAD SCREW	SS, 4X16	7P22-0416	2					
35	SPRING	SS	435825-01	1					
36	VINYL HOSE	L=670	7716-2025	1					
37	VINYL HOSE	L=190	7716-2025	1					
38	TEE	EPDM	4A0177-01	1					
39	FLANGE	EPDM	439267-01	1					
40	SILICONE HOSE	L=80	7730J3812	2					
41	BYPASS HOSE	EPDM	439265-01	1					
42	CORNER INSULATION (A)	PE FOAM	439376-01	1					
43	CORNER INSULATION (B)	PE FOAM	439392-01	1					
44	MALE ADAPTOR	(442137A01)	325826-01	2					
45	"O" RING		7611-P018	2					
46	BALL VALVE		439293-01	1					
47	VALVE HOLDER	GS	3A1178-01	1					
	FT SCREW	4X8	7F31-0408	3					

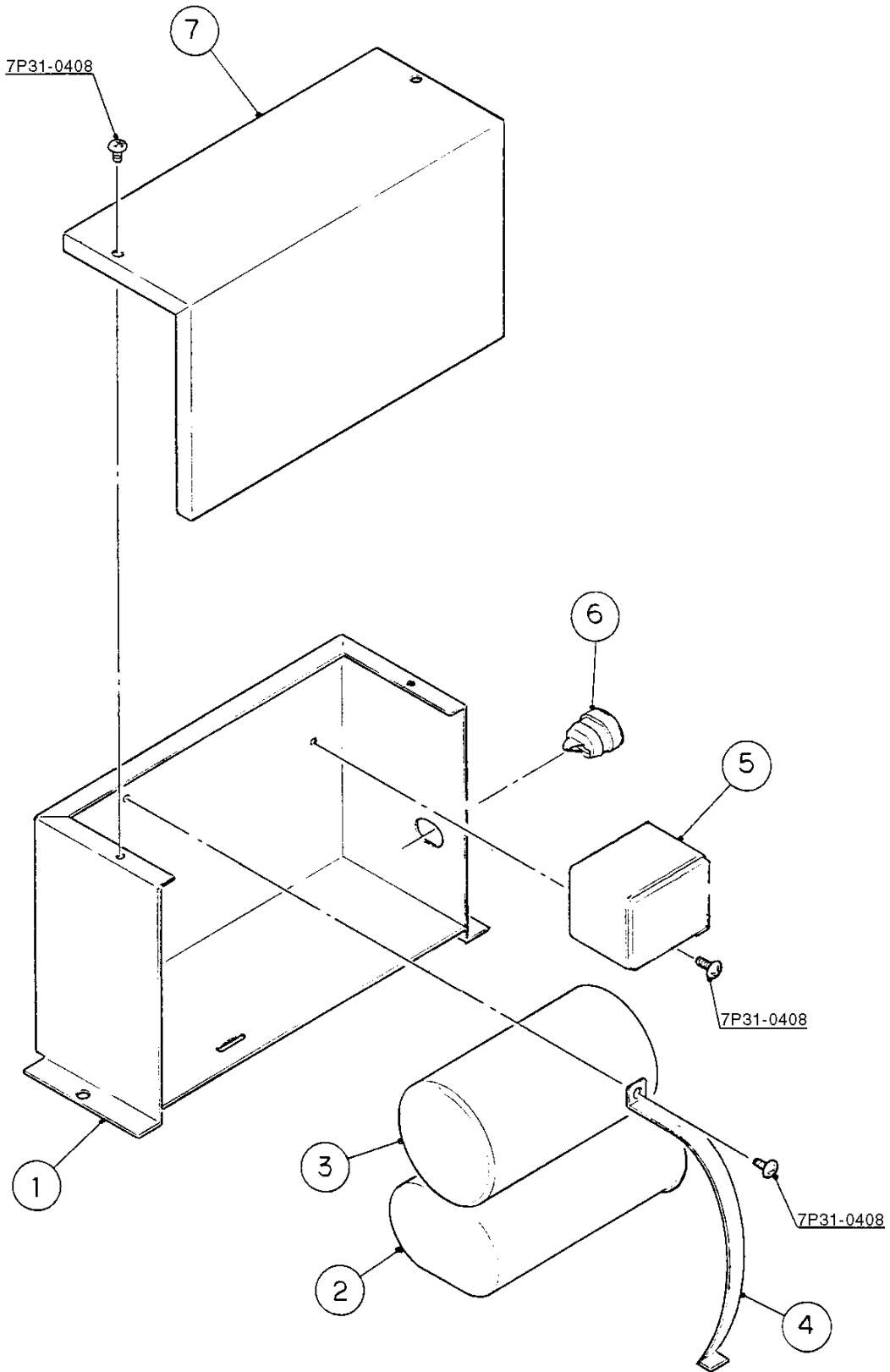


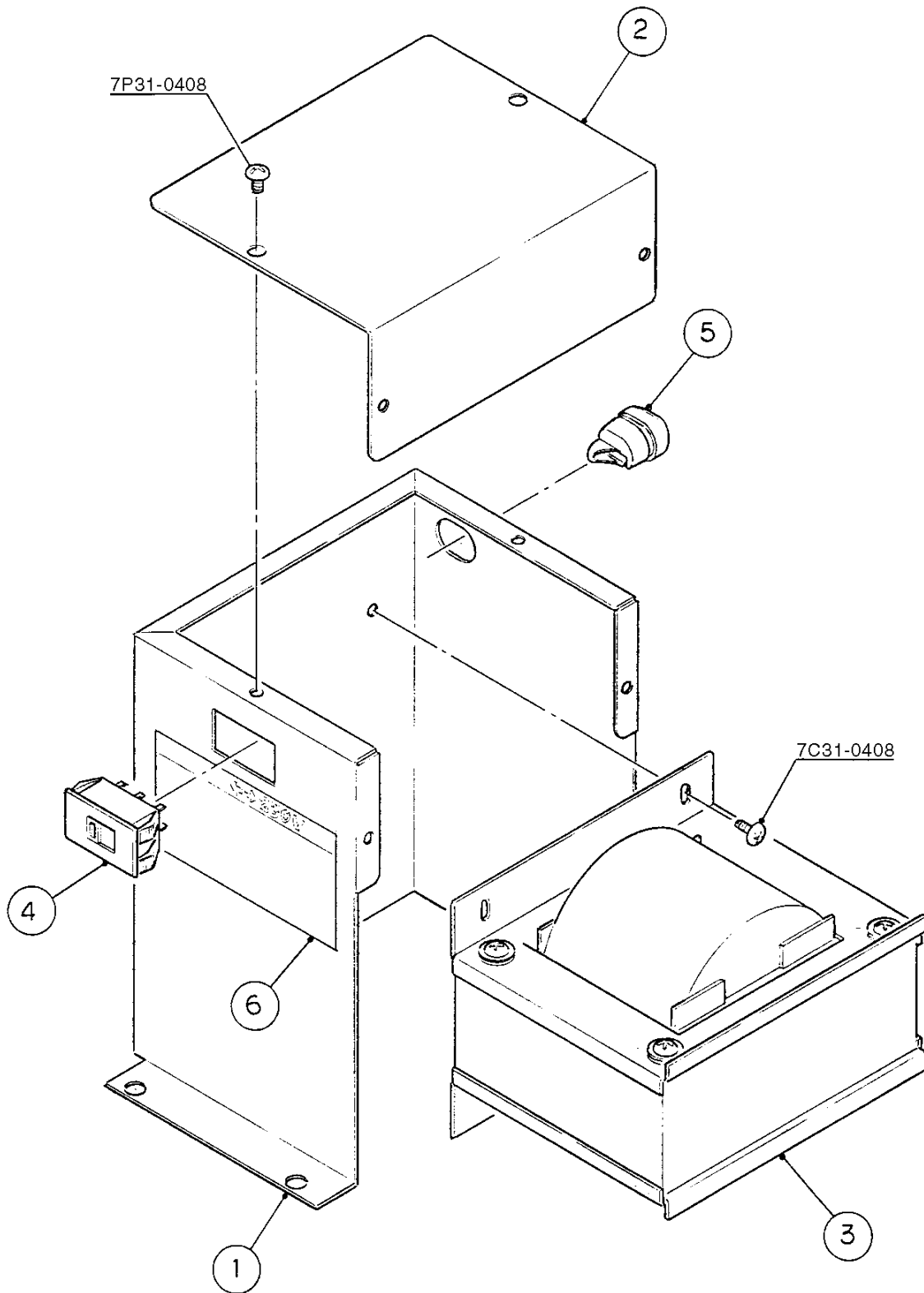
MODEL: KM-1600MRH, KM-1600MRH3 TITLE: D. CONTROL BOX ASSEMBLY									
INDEX NO.	DESCRIPTION	MATERIAL OR MODEL NUMBER	PART NUMBER	REQUIRED NUMBER					
				L-0					
1	CONT. BOX	GS	2A1082G02	1					
2	MAGNETIC CONTACTOR	A77-309040A-226	4A0794-01	1					
3	TRUSS HEAD SCREW	4X12	7C31-0412	2					
4	CAPACITOR	250V, 10MFD	443192-01	1					
5	T2 SCREW	4X10	7P31-0410	1					
6	TRANSFORMER	26D285H	3A0172-01	1					
7	T2 SCREW	4X8	7P31-0408	2					
8	CONTROLLER BOARD	HOSHIZAKI-001	2A1410-01	1					
9	BOARD SUPPORT	CBLS37-M	4A0336-03	4					
10	CONTROL LABEL	PES FILM	4A1758-01	1					
11	THERMOSTAT	A30-3815-00	4A0824-01	1					
12	TRUSS HEAD SCREW	4X6	7C31-0406	2					
13	TOGGLE SWITCH	8966K84	443119-01	1					
14	3P PLUG HOUSING	3191-03P	412832-06	1					
15	2P PLUG HOUSING	3191-02P	412832-07	1					
16	3P RECEPTACLE HOUSING	3191-03R1	412831-06	1					
17	2P RECEPTACLE HOUSING	3191-02R1	412831-07	1					
18	BUSHING	SB-1093-15	420470-03	1					
19	BUSHING	SB-1093-13	420470-12	1					
20	BUSHING	OCB-500	428394-02	2					
21	BUSHING	OCB-875	428394-04	1					

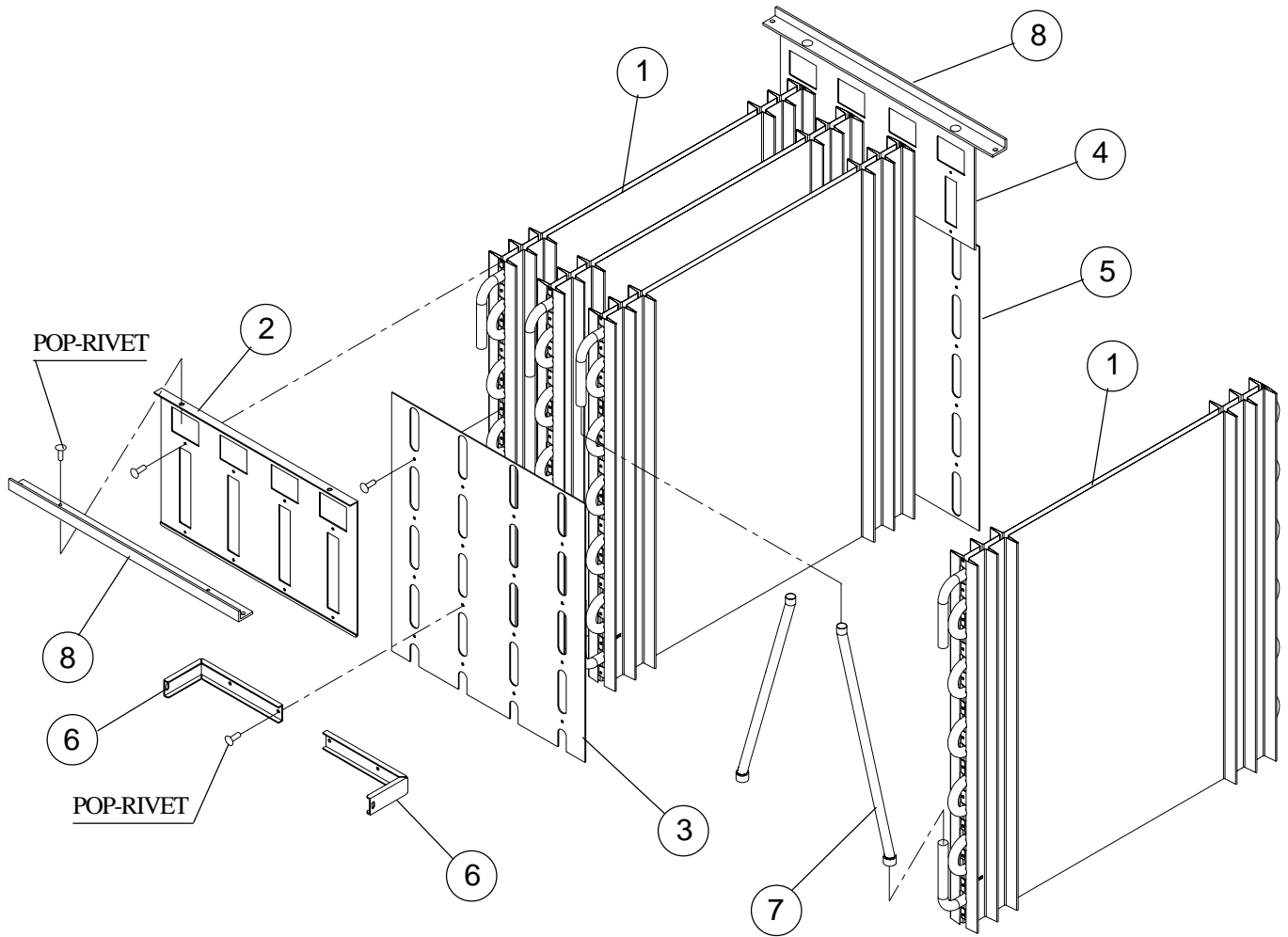


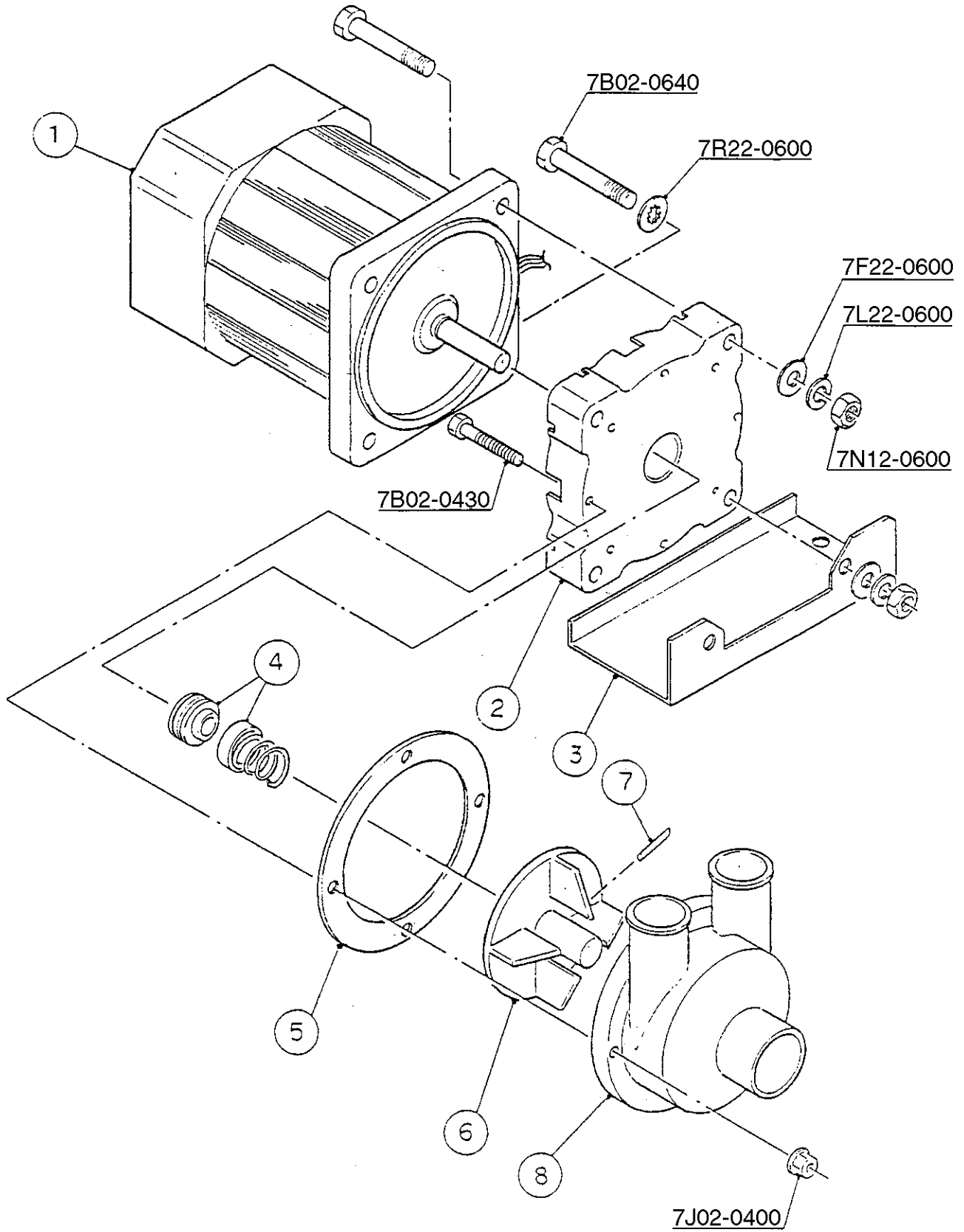
MODEL: KM-1600MRH TITLE: E. LABEL LOCATION									
INDEX NO.	DESCRIPTION	MATERIAL OR MODEL NUMBER	PART NUMBER	REQUIRED NUMBER					
				L-0					
1	EMBLEM	ABS	4A0560-01	1					
2	MODEL NUMBER LABEL	PETP FILM	4A2356-08	1					
3	LABEL - PENGUIN (R)	PETP FILM	4A0526-01	1					
4	MAINTENANCE LABEL	PVC FILM	325975-01	1					
5	CAUTION LABEL (H)	PVC FILM	439148-01	1					
6	WIRING LABEL	PVC FILM	3A1002-01	1					
7	NAMEPLATE	PES FILM	4A2445-01	1					
8	CAUTION LABEL	PVC FILM	436198-01	1					
9	INSTRUCTION SHEET	PAPER	2A2162-01	1					
10	TAG WARNING: ELECTRICAL CONNECTION	PAPER	428430-01	1					
11	TAG - FAN MOTOR LEADS	PAPER	4A1494-01	1					
12	MANUAL LABEL	PVC FILM	324476-01	1					
13	MANUAL LABEL - BIN CONTROL	PVC FILM	322846-01	1					
14	LABEL – R404A	PES FILM	4A0960-01	2					
15	LABEL - CHARGE	PES FILM	4A1399-05	1					
16	LABEL - CONTROL BOARD		3A1272-01	1					
17	OPERATION LABEL - VALVE	PVC FILM	439541-01	1					
18	CAUTION REMOTE LABEL	PVC FILM	4A1491-01	1					
19	INSTRUCTION LABEL	PVC FILM	444575-01	1					
20	CAUTION TAPE – 404A	L=250	4A1535L01	1					
21	RATING LABEL	-	4A2454-01	1					

MODEL: KM-1600MRH3 TITLE: E. LABEL LOCATION									
INDEX NO.	DESCRIPTION	MATERIAL OR MODEL NUMBER	PART NUMBER	REQUIRED NUMBER					
				L-0					
1	EMBLEM	ABS	4A0560-01	1					
2	MODEL NUMBER LABEL	PETP FILM	4A2356-09	1					
3	LABEL - PENGUIN (R)	PETP FILM	4A0526-01	1					
4	MAINTENANCE LABEL	PVC FILM	325975-01	1					
5	CAUTION LABEL (H)	PVC FILM	439148-01	1					
6	WIRING LABEL	PVC FILM	3A0991-01	1					
7	NAMEPLATE	PES FILM	4A2446-01	1					
8	CAUTION LABEL	PVC FILM	436198-01	1					
9	INSTRUCTION SHEET	PAPER	2A2162-01	1					
10	TAG WARNING: ELECTRICAL CONNECTION	PAPER	438479-01	1					
11	TAG - FAN MOTOR LEADS	PAPER	4A1494-01	1					
12	MANUAL LABEL	PVC FILM	324476-01	1					
13	MANUAL LABEL - BIN CONTROL	PVC FILM	322846-01	1					
14	LABEL – R404A	PES FILM	4A0960-01	2					
15	LABEL - CHARGE	PES FILM	4A1399-05	1					
16	LABEL - CONTROL BOARD		3A1272-01	1					
17	OPERATION LABEL - VALVE	PVC FILM	439541-01	1					
18	CAUTION REMOTE LABEL	PVC FILM	4A1491-01	1					
19	INSTRUCTION LABEL	PVC FILM	444575-01	1					
20	CAUTION TAPE – 404A	L=250	4A1535L01	1					
21	RATING LABEL	-	4A2455-01	1					









HA

MODEL: KM-1600MRH, MRH3 TITLE: H. PUMP MOTOR ASSEMBLY									
INDEX NO.	DESCRIPTION	MATERIAL OR MODEL NUMBER	PART NUMBER	REQUIRED NUMBER					
				L-0					
1	PUMP MOTOR	M91A60SP201	2U0106-01	1					
2	PUMP FLANGE	PC	215662-01	1					
3	PUMP MOTOR BRACKET	SS	435057-01	1					
	TOOTH WASHER	SS, M6	7R22-0600	1					
	HEXAGON BOLT	SS, 6X40	7B02-0640	4					
	SPLIT LOCK WASHER	SS, M6	7L22-0600	4					
	FLAT WASHER	SS, M6	7F22-0600	4					
	NUT	SS, M6	7N12-0600	4					
4	MECHANICAL SEAL	H5-PN, 8MM	428545-01	1					
5	PACKING	EPDM	428547-01	1					
6	IMPELLER	ABS	428548-01	1					
7	PIN	SS	414102-01	1					
8	PUMP HOUSING	ABS	212636-01	1					
	HEXAGON BOLT	SS, 4X30	7B02-0430	4					
	FLANGE NUT	SS, M4	7J02-0400	4					

