

NO. 71129

ISSUED: MAR. 2, 1999

REVISED: JULY 29, 2003



**HOSHIZAKI
MODULAR CRESCENT CUBER**

MODEL

KM-1600MRF

KM-1600MRF3

(FINAL) PARTS LIST

KM-1600MRF	H-1	May 1998
	H-2	Sept., 1998
	J-0	Feb., 1999
	K-0	Dec., 1999
	L-0	Dec., 2000

KM-1600MRF3	H-1	May 1998
	H-2	Sept., 1998
	J-0	June 1999
	K-0	Dec., 1999
	L-0	Jan., 2001

MATERIAL ABBREVIATIONS

ALUMINUM

AL = Aluminum

COPPER

CU = Copper

PLASTIC

ABS = Acrylonitrile -butadiene - styrene
 AC = Polyacetal
 EVA = Ethylene vinyl acetate
 PA = Polyamide = Nylon
 PC = Polycarbonate
 PE = Polyethylene
 PES = Polyester
 PETP = Polyethylene terephthalate = Tetlon
 PP = Polypropylene
 PS = Polystyrene
 PIFE = Polytetrafluoroethylene = Teflon
 PUR = Polyurethane
 PVC = Polyvinyl chloride

RUBBER

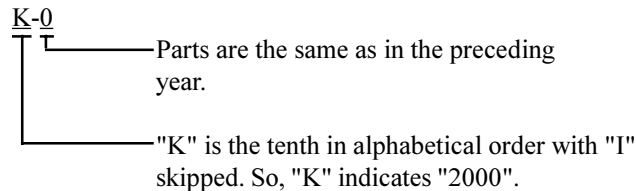
VN = Vinyl Nitrile
 EPDM = EP rubber
 NBR = Nitrile butadiene rubber
 NR = Natural rubber
 NP = Neoprene
 SI.R = Silicone rubber
 SY.R = Synthetic rubber
 EPH = Epichlorohydrin

STEEL

GS = Galvanized steel
 SS = Stainless steel
 PS = Plated steel
 PAS = Primed steel

AUXILIARY CODE

Ex.1

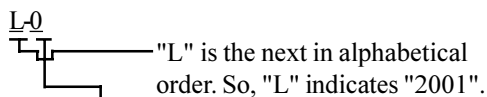


(Note) - = Part deleted.

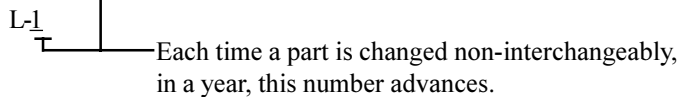
x = Part deleted and replaced by "o" part.

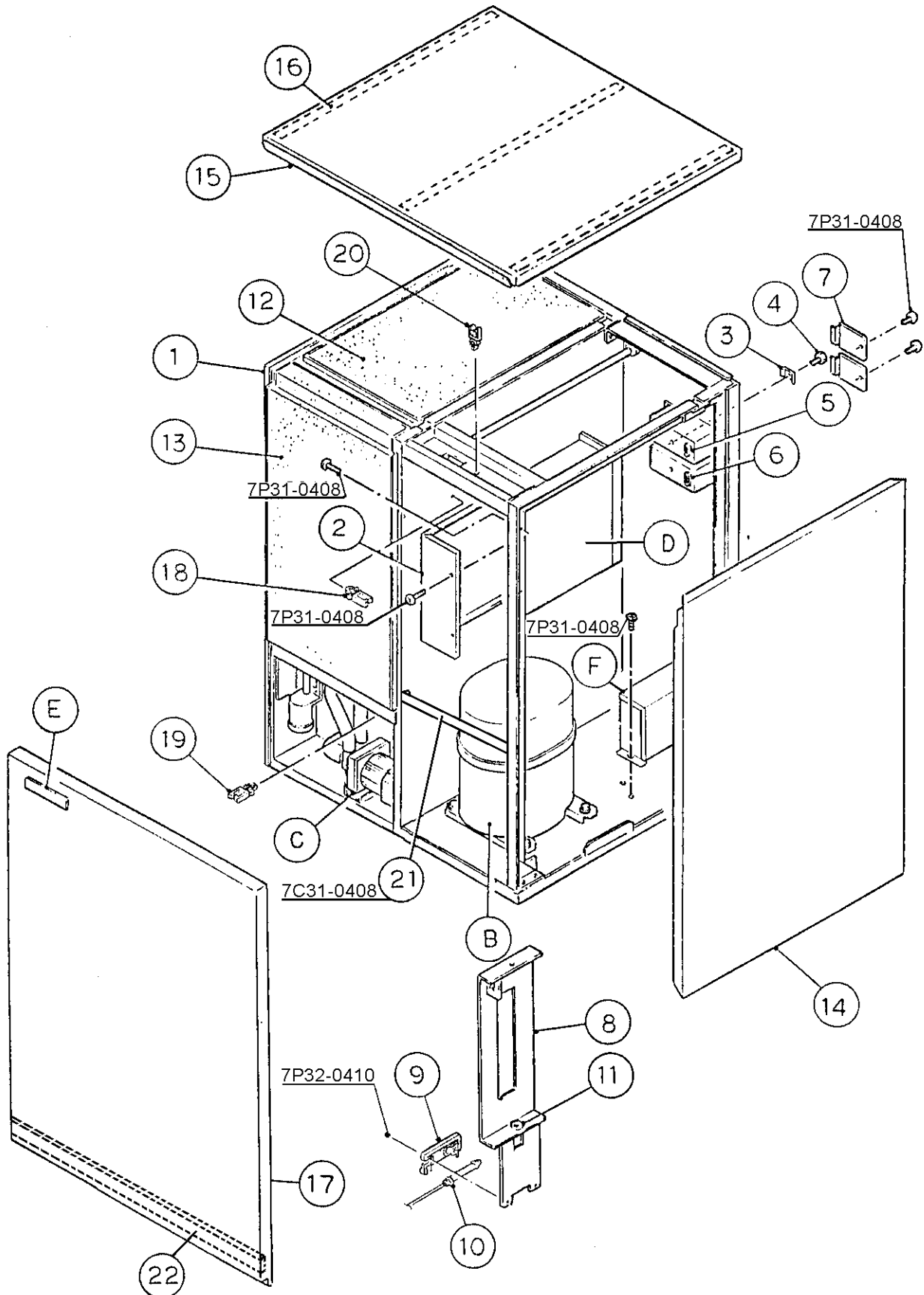
o = New part for "x" in the same auxiliary code.

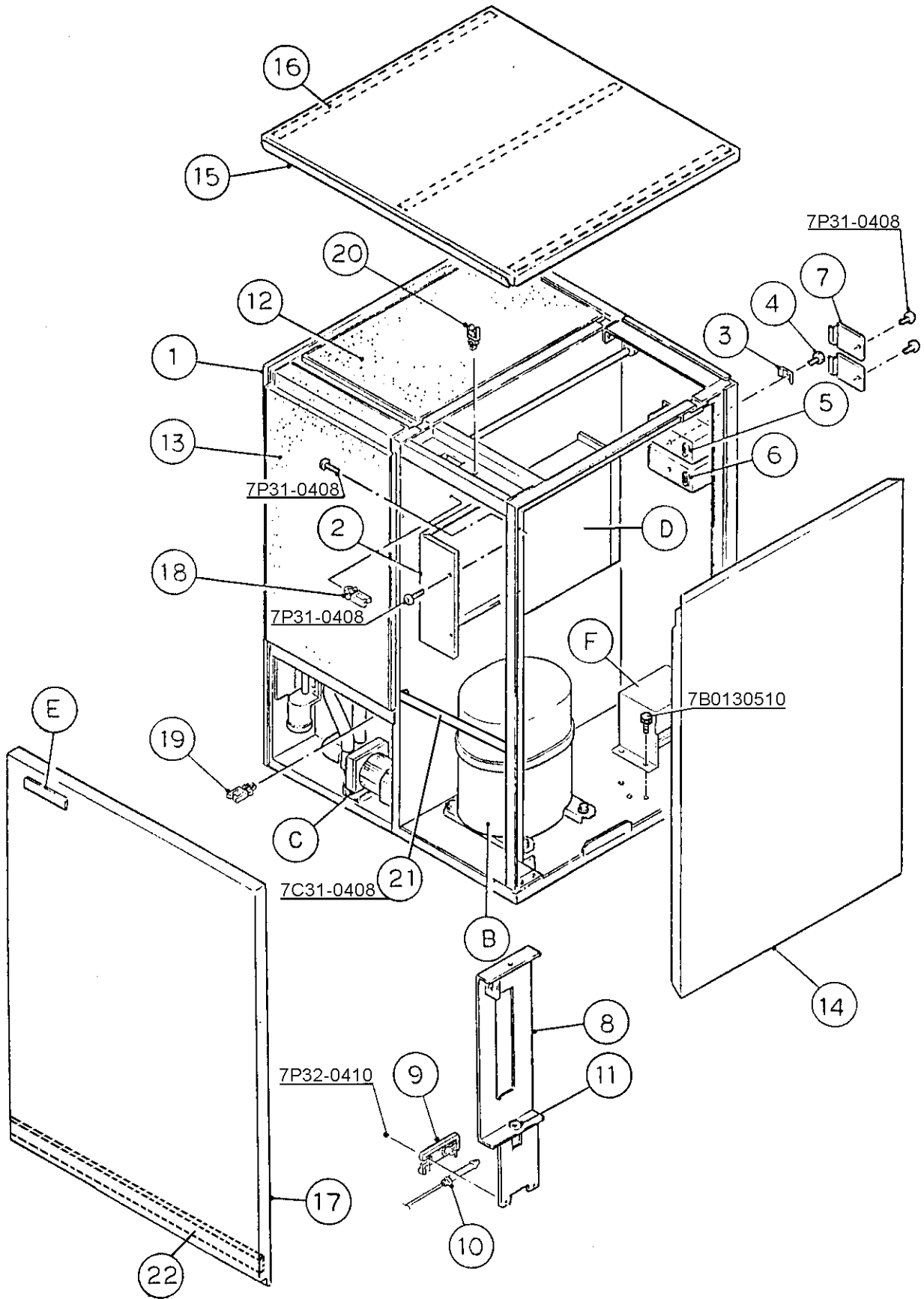
Ex.2



Ex.3

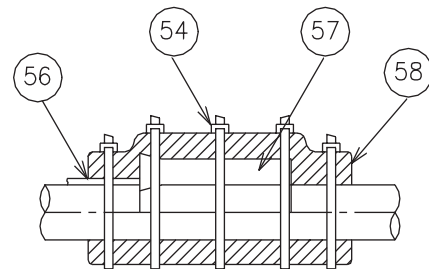
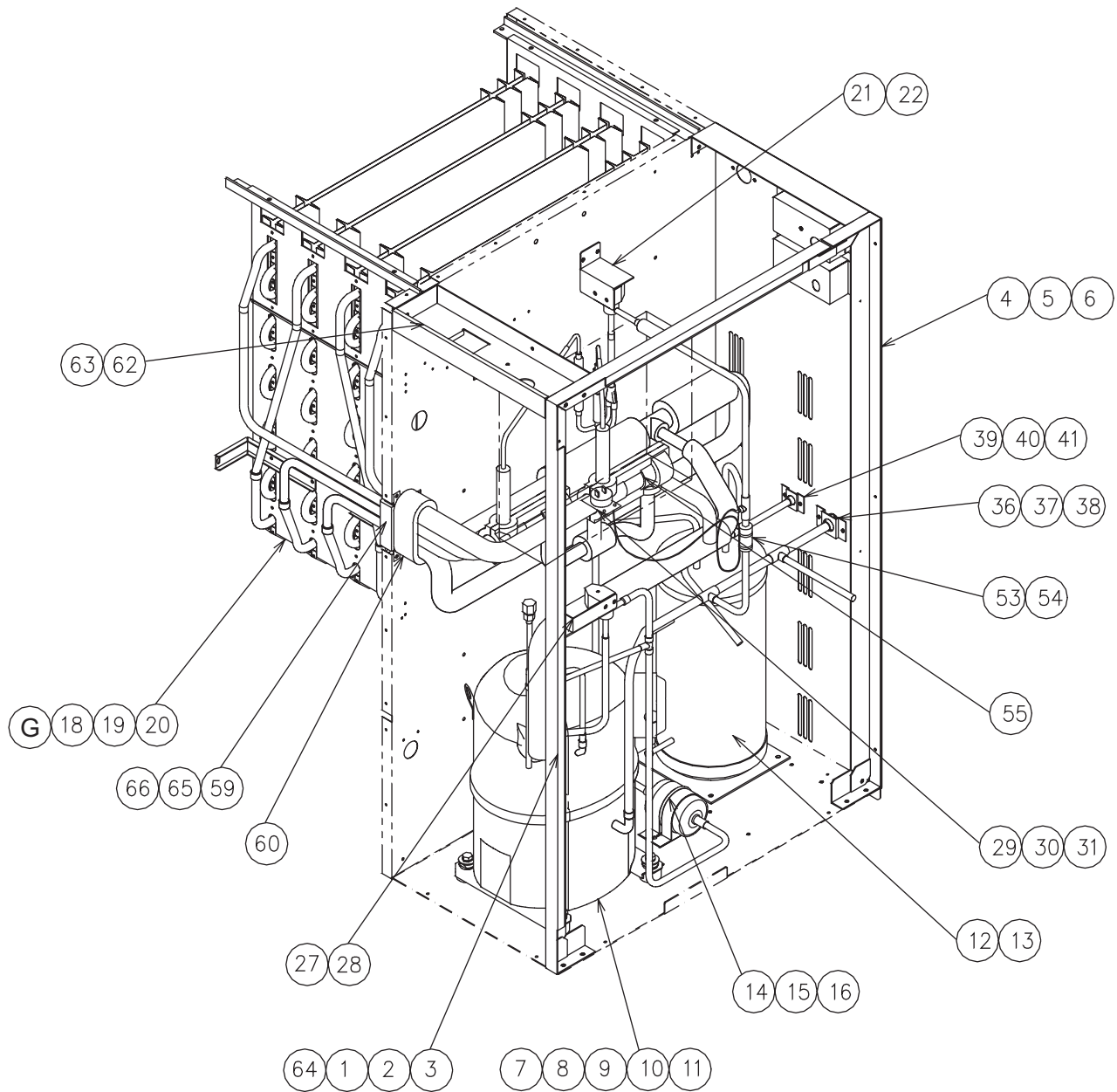




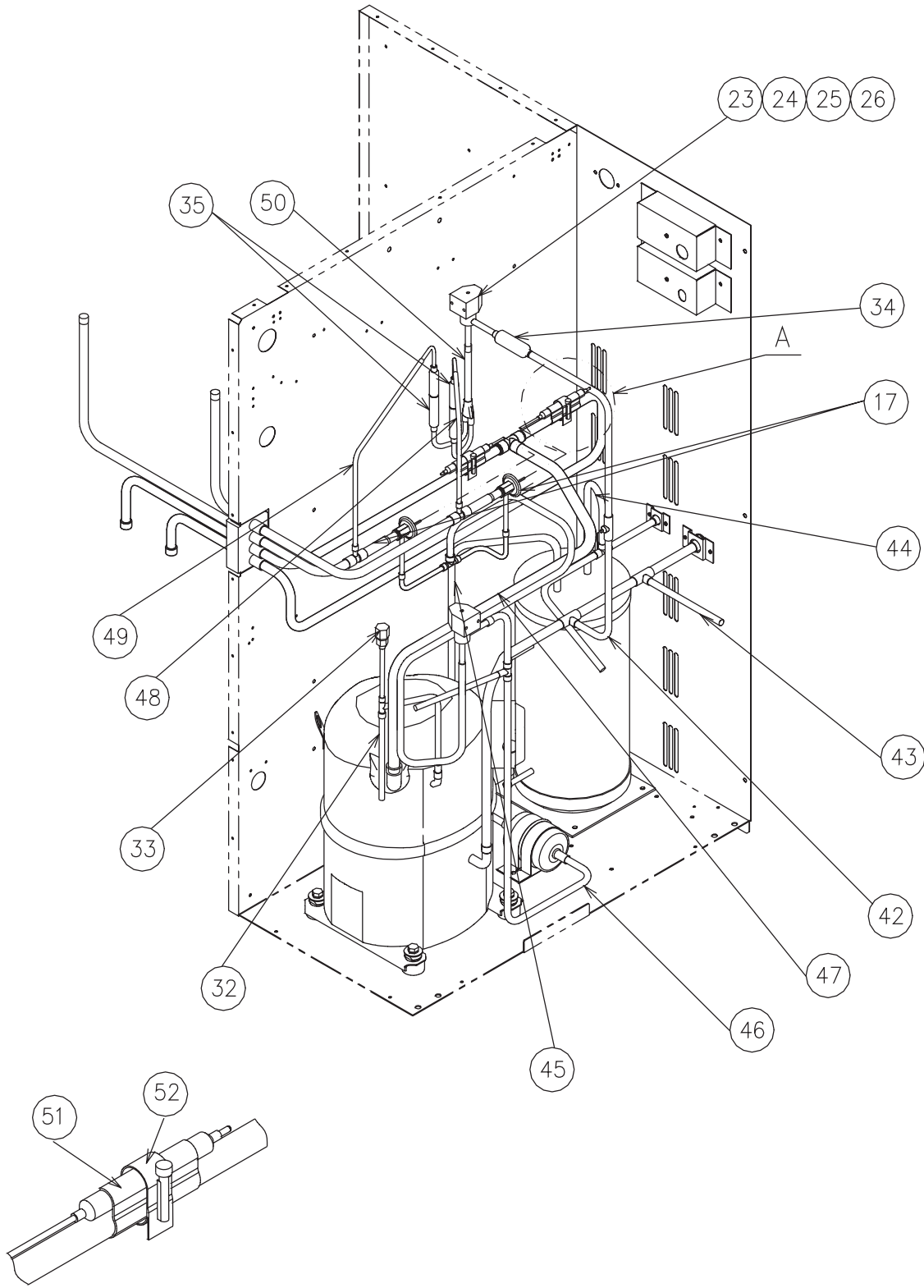


MODEL: KM-1600MRF, KM-1600MRF3 TITLE: A. ICE CUBER ASSEMBLY									
INDEX NO.	DESCRIPTION	MATERIAL OR MODEL NUMBER	PART NUMBER	REQUIRED NUMBER					
				H-1	H-2	J-0, K-0, L-0			
B	REFRIGERATION CIRCUIT (MRF)	-	1A0242A03	1	1	1			
	REFRIGERATION CIRCUIT (MRF3)	-	1A0242A04	1	1	1			
C	WATER CIRCUIT	HS-1201	1A0094A04	1	1	1			
D	CONT. BOX ASSEMBLY	HS-1103	2A1122A02	1	1	1			
	T2 SCREW	4X8	7P31-0408	3	3	3			
E	LABEL LOCATION (MRF)	-	2A1140A01	1	1	1			
	LABEL LOCATION (MRF3)	-	2A1140A02	1	1	1			
F	CAPACITOR BOX ASSEMBLY (MRF)	HS-1104	3A1003A01	1	1	1			
	T2 SCREW	4X8	7P31-0408	2	2	2			
F	TRANSFORMER BOX ASSEMBLY (MRF3)	HS-0126	216433A03	1	1	1			
	HEX HEAD BOLT W/WASHER (LF)	5X10	7B0130510	4	4	4			
1	EVAPORATOR CASE	HS-1005	105061G06	1	1	1			
2	CONT. BOX COVER	GS	3A0174-01	1	1	1			
	T2 SCREW	4X8	7P31-0408	2	2	2			
3	SQUARE WASHER	COPPER	433537-02	2	2	2			
4	SCREW - GROUNDING	BRASS	433304-02	2	2	2			
5	BUSHING	SR-30-1	420472-03	1	1	1			
6	BUSHING	SR-34-2	420472-05	1	1	1			
7	JUNCTION BOX COVER	GS	433410-01	2	2	2			
	T2 SCREW	4X8	7P31-0408	2	2	2			
8	BULB HOLDER	-	322815G02	1	1	1			
9	BULB HOLDER	ABS	328919-01	1	1	1			
10	SPACER	PE	443545-01	2	2	2			
	TRUSS HEAD SCREW	4X10, SS	7C32-0410	2	2	2			
11	BUSHING	EPDM	425307-01	1	1	1			
12	TOP INSULATION	ABS, PE	322714G01	1	1	1			
13	FRONT INSULATION	ABS, PE	322711G01	1	1	1			

MODEL: KM-1600MRF, KM-1600MRF3				TITLE: A. ICE CUBER ASSEMBLY					
INDEX NO.	DESCRIPTION	MATERIAL OR MODEL NUMBER	PART NUMBER	REQUIRED NUMBER					
				H-1	H-2	J-0, K-0, L-0			
14	SIDE PANEL (R)	SS	212688G01	1	1	1			
15	TOP PANEL	(323836A01)	212687-01	1	1	1			
16	GASKET	(323836A01)	427014-04	3	3	3			
17	FRONT PANEL	SS	212686-01	1	1	1			
18	WIRE SADDLE	-	4A0338-03	5	5	5			
19	WIRE SADDLE	-	4A0338-02	2	2	2			
20	WIRE SADDLE	-	4A0338-01	2	2	2			
21	FRAME (F)		324093-01	1	1	1			
	T2 SCREW	4X8	7C31-0408	4	4	4			
22	GASKET	L=762	4A0808L02			1			



DETAILED THERMISTOR ATTACHING



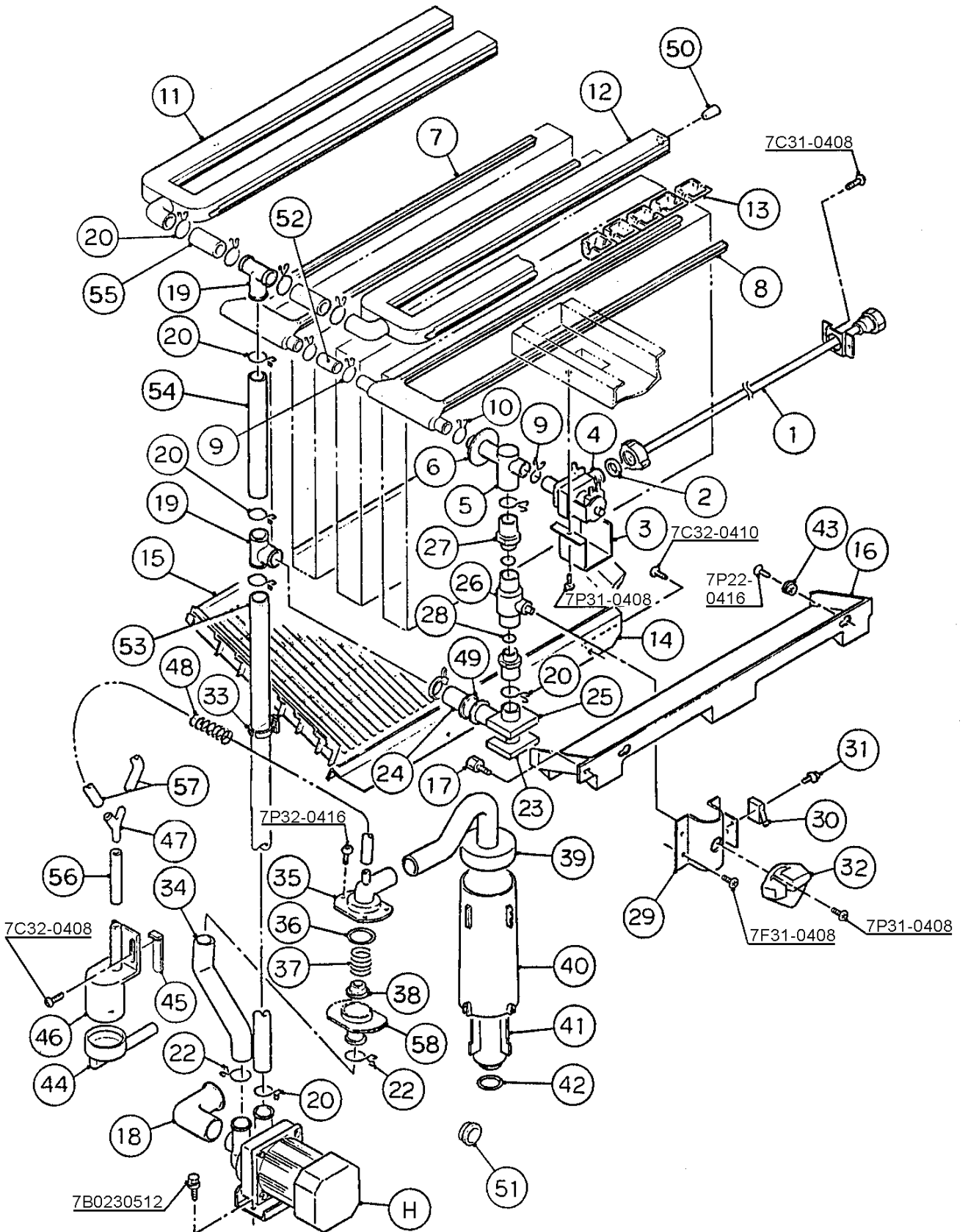
DETAIL "A" (1:2)

MODEL: KM-1600MRF, KM-1600MRF3 TITLE: B. REFRIGERATION CIRCUIT									
INDEX NO.	DESCRIPTION	MATERIAL OR MODEL NUMBER	PART NUMBER	REQUIRED NUMBER					
				H-1	H-2	J-0, K-0, L-0,			
1	FRAME	GS	222024G02	1	1	1			
2	FT SCREW	4X8, SS	7F32-0408	4	4	4			
3	T2 SCREW	4X8	7P31-0408	4	4	4			
4	REAR PANEL	GS	222025G03	1	1	1			
5	FT SCREW	4X8, SS	7F32-0408	5	5	5			
6	T2 SCREW	4X8	7P31-0408	5	5	5			
7	COMPRESSOR (KM-1600MRF)	CS20K6E-PFV-279	4A1420-02	1	1	1			
8	COMPRESSOR (KM-1600MRF3)	CS20K6E-TF5-279	4A1419-02	1	1	1			
9	GROMMET	-	434922-01	4	4	4			
10	SPACER	-	434921-01	4	4	4			
11	BOLT	8x45	437889-01	4	4	4			
12	RECEIVER	RR MN WP450	438209-01	1	1	1			
13	HEX HEAD BOLT W/WASHER (LF)	5X10	7B0130510	3	3	3			
14	DRIER	CW-053-S	4A1461-01	1	1	1			
15	DRIER BRACKET	GS	445251-01	1	1	1			
16	T2 SCREW	4X8	7P31-0408	1	1	1			
17	EXPANSION VALVE	HFE-15NHD-2	4A1482-01	2	2	2			
G									
18	EVAPORATOR	-	104442G01	1	1	1			
19	TRUSS HEAD SCREW	4x8, SS	7C31-0408	4	4	4			
20	T2 SCREW	4x8, SS	7P32-0408	2	2	2			
21	HOT GAS VALVE BRACKET	GS	444816-01	1	1	1			
22	T2 SCREW	4X8	7P31-0408	2	2	2			
23	VALVE BODY	70	440352-01	2	2	2			
24	COIL - VALVE	ABS-25-1-HD-2	440353-01	2	2	2			
25	BOLT	4x6	440353F01	2	2	2			

MODEL: KM-1600MRF, KM-1600MRF3 TITLE: B. REFRIGERATION CIRCUIT

INDEX NO.	DESCRIPTION	MATERIAL OR MODEL NUMBER	PART NUMBER	REQUIRED NUMBER					
				H-1	H-2	J-0, K-0, L-0			
26	TRUSS HEAD SCREW	4X8	7C31-0408	4	4	4			
27	LINE VALVE BRACKET	GS	4A1544-01	1	1	1			
28	T2 SCREW	4X8	7P31-0408	2	2	2			
29	PRESSURE SWITCH	ACB-1UB09	433441-07	1	1	1			
30	PRESS. SWITCH BRACKET	GS	434938-01	1	1	1			
31	T2 SCREW	4x8	7P32-0408	1	1	1			
32	COPPER TUBE - ACCESS VALVE	COPPER	4A1497G01	1	1	1			
33	ACCESS VALVE	FV180D001	446715-01	1	1	1			
34	STRAINER	-	441569-02	1	1	1			
35	CHECK VALVE	SKC30564	4A1373-01	2	2	2			
36	COUPLING	-	434136G01	1	1	1			
37	TUBE HOLDER - L	GS	438245-01	1	1	1			
38	T2 SCREW	4X8	7C31-0408	2	2	2			
39	COUPLING	-	433751G01	1	1	1			
40	TUBE HOLDER - S	GS	438246-01	1	1	1			
41	T2 SCREW	4X8	7C31-0408	2	2	2			
42	COPPER TUBE (A) - HIGH SIDE	COPPER	2A1141G01	1	1	1			
43	COPPER TUBE (B) - HIGH SIDE	COPPER	447737G01	1	1	1			
44	COPPER TUBE (D) - HIGH SIDE	COPPER	334095G01	1	1	1			
45	COPPER TUBE (E) - HIGH SIDE	COPPER	3A1005-01	1	1	1			
46	COPPER TUBE (F) - HIGH SIDE	COPPER	2A1139G01	1	1	1			
47	HEAT EXCHANGER	COPPER	1A0246G01	1	1	1			
48	COPPER TUBE (R) - LOW SIDE	COPPER	222029G01	1	1	1			
49	COPPER TUBE (L) - LOW SIDE	COPPER	222030G01	1	1	1			

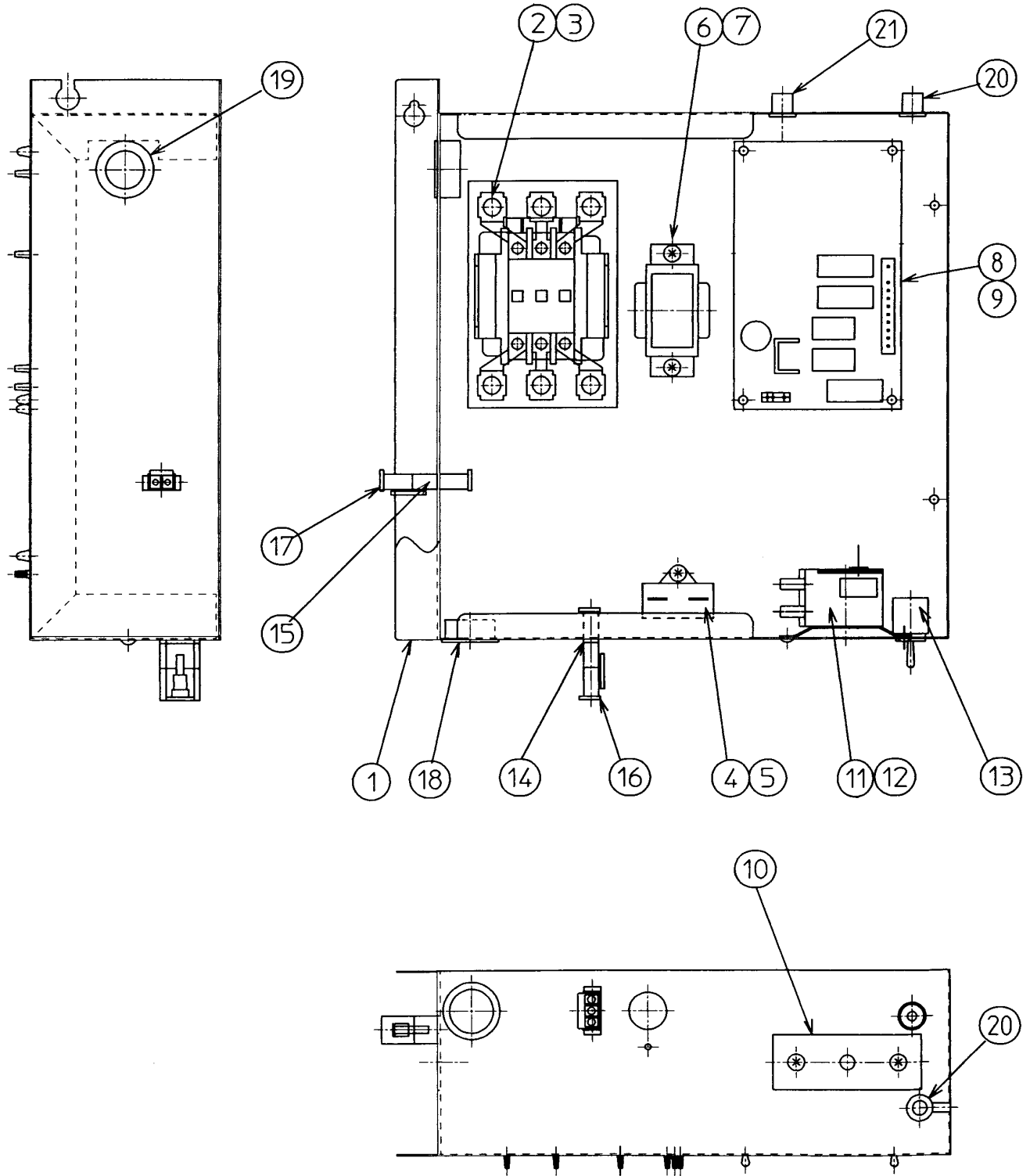
MODEL: KM-1600MRF, KM-1600MRF3 TITLE: B. REFRIGERATION CIRCUIT									
INDEX NO.	DESCRIPTION	MATERIAL OR MODEL NUMBER	PART NUMBER	REQUIRED NUMBER					
				H-1	H-2	J-0, K-0, L-0			
50	COPPER TUBE - HOT GAS	COPPER	3A0213G01	1	1	1			
51	HOLDER / EXPANSION VALVE - 1/2	SS	3A0107-01	2	2	2			
52	CLAMP	SS	443461-01	2	2	2			
53	INSULATION TUBE	L=40	7762-1020	3	3	3			
54	CABLE TIE	CV-200 (PLT- 2M)	7920-0010	12	12	12			
55	EXPANSION VALVE COVER	PE FOAM	3A0944-01	2	2	2			
56	THERMISTOR	-	429006-03	1	1	1			
57	HOLDER - THERMISTOR	COPPER	438247-01	1	1	1			
58	INSULATION - THERMISTOR	PE FOAM	427441-01	1	1	1			
59	INSULATED RUBBER TUBE	EPDM	323975G01	1	1	1			
60	INSULATION	PE FOAM	436671-01	1	1	1			
62	FRAME (C)	-	3A0347-01	1	1	1			
63	T2 SCREW	4X8	7P31-0408	2	2	2			
64	INSULATION HOLDER	-	3A0979-01	1	1	1			
65	T2 SCREW	4X8, SS	7P32-0408	2	2	2			



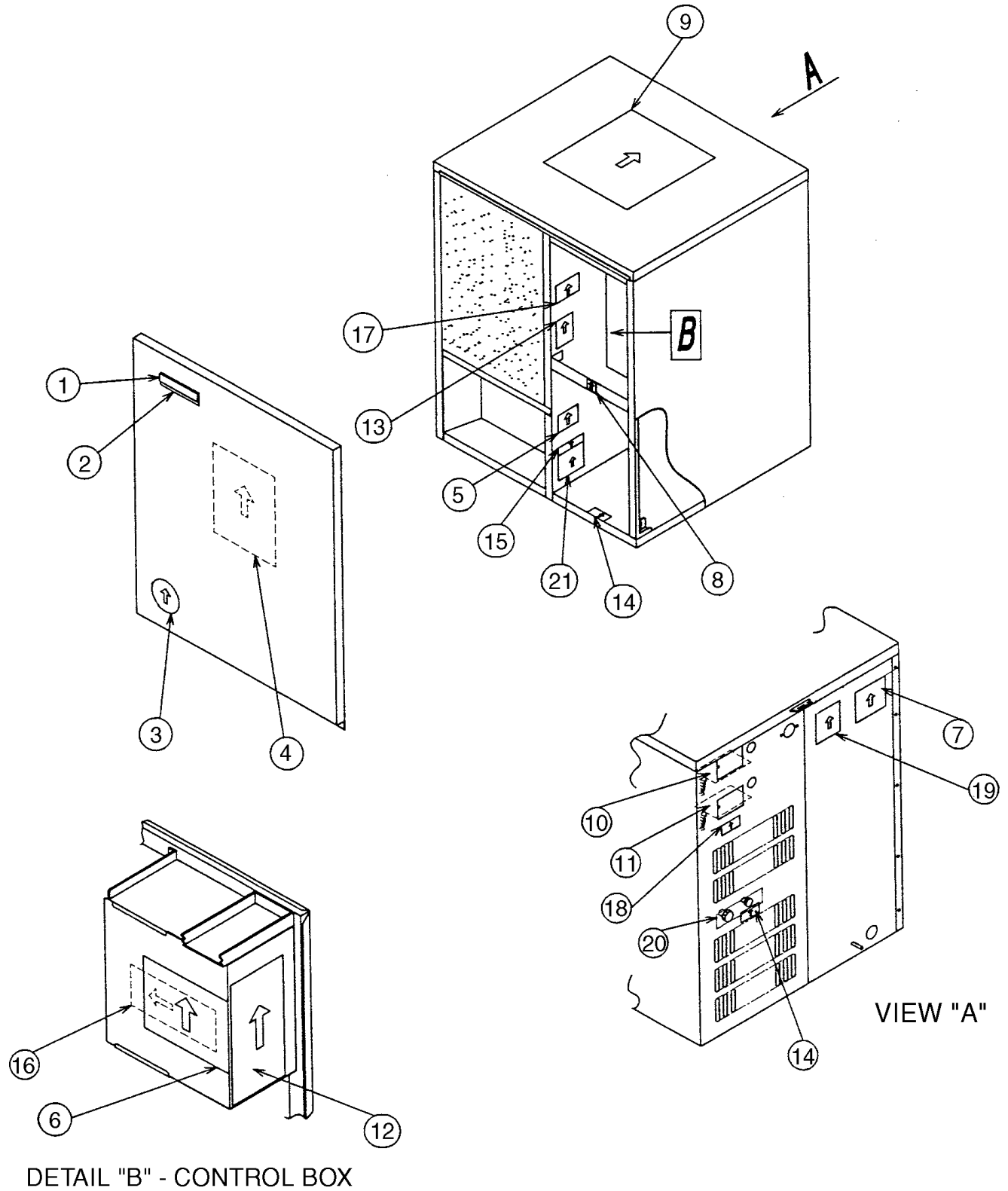
MODEL: KM-1600MRF, KM-1600MRF3 TITLE: C. WATER CIRCUIT									
INDEX NO.	DESCRIPTION	MATERIAL OR MODEL NUMBER	PART NUMBER	REQUIRED NUMBER					
				H-1	H-2	J-0, K-0, L-0			
H	PUMP MOTOR ASSEMBLY	(S-0731)	215693A01	1	1	1			
	HEX HEAD BOLT W/WASHER (LF)	5X12, SS	7B0230512	1	1	1			
1	WATER SUPPLY PIPE	COPPER	4A0768G01	1	1	1			
	T2 SCREW	4X8	7P31-0408	2	2	2			
2	RUBBER GASKET	NBR	413854-03	1	1	1			
3	WATER VALVE BRACKET	GS	321443-01	1	1	1			
	T2 SCREW	4X8	7P31-0408	1	1	1			
4	WATER VALVE	J248-030	3U0111-01	1	1	1			
5	TEE	EPDM	4A0177-01	1	1	1			
6	FLANGE	EPDM	439267-01	1	1	1			
7	WATER SUPPLY TUBE	PE	2A0079-01	1	1	1			
8	WATER SUPPLY TUBE	PE	2A0079-02	1	1	1			
9	HOSE CLAMP	SS, 18MM	427443-05	4	4	4			
11	SPRAY TUBE	PE	1A0260-02	1	1	1			
12	SPRAY TUBE	PE	1A0260-01	1	1	1			
13	SPRAY GUIDE (A)	PE	208586-01	12	12	12			
14	PLATE	SS	3A0133-01	1	1	1			
	T2 SCREW	4X10, SS	7P32-0410	4	4	4			
15	CUBE GUIDE (A)	ABS	214905-01	1	1	1			
16	CUBE GUIDE (B)	ABS	322644-02	1	1	1			
17	THUMBSCREW	ABS, SS	415949G01	1	1	1			
18	HOSE (A)	EPDM	435091-01	1	1	1			
19	DISTRIBUTOR	ABS	432426-01	2	2	2			
20	HOSE CLAMP	SS, 25MM	427443-03	11	11	11			
22	HOSE CLAMP	SS, 27MM	427443-08	2	2	2			
23	CORNER INSULATION (A)	PE FOAM	439376-01	1	1	1			
24	BYPASS HOSE	EPDM	439265-01	1	1	1			
25	CORNER INSULATION (B)	PE FOAM	439392-01	1	1	1			

MODEL: KM-1600MRF, KM-1600MRF3 TITLE: C. WATER CIRCUIT									
INDEX NO.	DESCRIPTION	MATERIAL OR MODEL NUMBER	PART NUMBER	REQUIRED NUMBER					
				H-1	H-2	J-0, K-0, L-0			
26	BALL VALVE	-	439293-01	1	1	1			
27	MALE ADAPTOR	ABS	325826-01	1	1	1			
28	"O" RING	1AP18	7611-P018	2	2	2			
29	VALVE HOLDER	GS	3A1178-01	1	1	1			
	FT SCREW	4X8	7F31-0408	3	3	3			
30	MICRO SWITCH	V3L-111-D8	4A0365-01	1	1	1			
31	TAPPING SCREW	3x14	431415-02	2	2	2			
32	HANDLE	PP	215383-01	1	1	1			
	T2 SCREW	4X8	7P31-0408	1	1	1			
33	HOLDER	PP	322692-01	1	1	1			
34	DRAIN HOSE	EPDM	435092-01	1	1	1			
35	DRAIN VALVE (B)	ABS	3A1170-01	1	1	1			
36	"O" RING	1AG35	7611-G035	1	1	1			
37	SPRING	SS	322685-01	1	1	1			
38	VALVE SHEET	EPDM	433705-01	1	1	1			
	T2 SCREW	4X16, SS	7P32-0416	3	3	3			
39	HOSE (C)	EPDM	326655-01	1	1	1			
40	OVERFLOW CAP	ABS	322816-01	1	1	1			
41	OVERFLOW PIPE	ABS	322691-01	1	1	1			
42	"O" RING	-	4A1234-01	1	1	1			
43	COLLAR	ABS	435269-01	2	2	2			
	T2 FLAT HEAD SCREW	4X16, SS	7P22-0416	2	2	2			
44	CONNECTOR - FLOAT SWITCH	EPDM	3A1325-01	1	1	1			
45	FLOAT SWITCH STOP	SS	4A0137-01	1	1	1			
46	FLOAT SWITCH	163790	4A0886-02	1	1	1			
	TRUSS HEAD SCREW	4X8, SS	7C32-0408	2	2	2			

MODEL: KM-1600MRF, KM-1600MRF3 TITLE: C. WATER CIRCUIT									
INDEX NO.	DESCRIPTION	MATERIAL OR MODEL NUMBER	PART NUMBER	REQUIRED NUMBER					
				H-1	H-2	J-0, K-0, L-0			
47	CONNECTOR	ABS	432763-01	1	1	1			
48	SPRING	SS	435825-01	1	1	1			
49	RUBBER RING	EPDM	439236-01	1	1	1			
50	PLUG	EPDM	4A0176-01	4	4	4			
51	BUSHING	SB-1500-21	420470-06	2	2	2			
52	VINYL HOSE	L=58	7716-1519	1	1	1			
53	VINYL HOSE	L=670	7716-2025	1	1	1			
54	VINYL HOSE	L=190	7716-2025	1	1	1			
55	VINYL HOSE	L=63	7716-2025	2	2	2			
56	SILICONE HOSE	L=80	7730I3812	1	1	1			
57	VINYL HOSE	L=180	7716-0913	2	2	2			

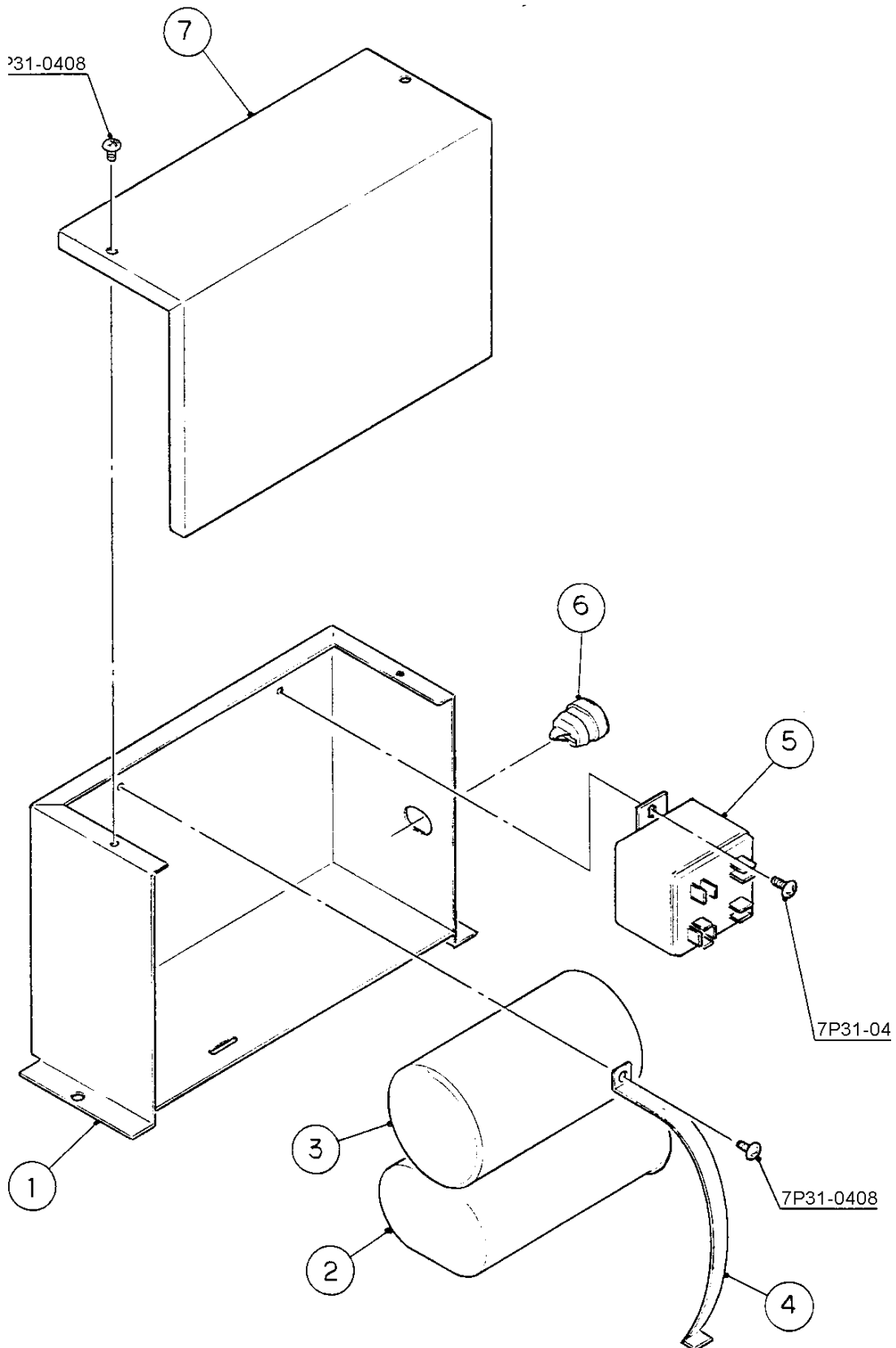


MODEL: KM-1600MRF, KM-1600MRF3 TITLE: D. CONTROL BOX ASSEMBLY									
INDEX NO.	DESCRIPTION	MATERIAL OR MODEL NUMBER	PART NUMBER	REQUIRED NUMBER					
				H-1	H-2	J-0, K-0, L-0			
1	CONT. BOX	GS	2A1082G02	1	1	1			
2	MAGNETIC CONTACTOR	A77-309040A-226	4A0794-01	1	1	1			
3	TRUSS HEAD SCREW	4X12	7C31-0412	2	2	2			
4	CAPACITOR	250V, 10MFD	443192-01	1	1	1			
5	T2 SCREW	4X10	7P31-0410	1	1	1			
6	TRANSFORMER	26D285H	3A0172-01	1	1	1			
7	T2 SCREW	4X8	7P31-0408	1	1	1			
8	CONTROLLER BOARD	HOSHIZAKI-001	2A0836-01	1	1	1			
9	BOARD SUPPORT	CBLS37-M	4A0336-03	4	4	4			
10	CONTROL LABEL	PES FILM	4A1758-01	1	1	1			
11	THERMOSTAT	A30-3815-00	4A0824-01	1	1	1			
12	TRUSS HEAD SCREW	4X6	7C31-0406	2	2	2			
13	TOGGLE SWITCH	8966K84	443119-01	1	1	1			
14	3P PLUG HOUSING	3191-03P	412832-06	1	1	1			
15	2P PLUG HOUSING	3191-02P	412832-07	1	1	1			
16	3P RECEPTACLE HOUSING	3191-03R1	412831-06	1	1	1			
17	2P RECEPTACLE HOUSING	3191-02R1	412831-07	1	1	1			
18	BUSHING	SB-1093-15	420470-03	1	1	1			
19	BUSHING	SB-1093-13	420470-12	1	1	1			
20	BUSHING	OCB-500	428394-02	2	2	2			
21	BUSHING	OCB-875	428394-04	1	1	1			

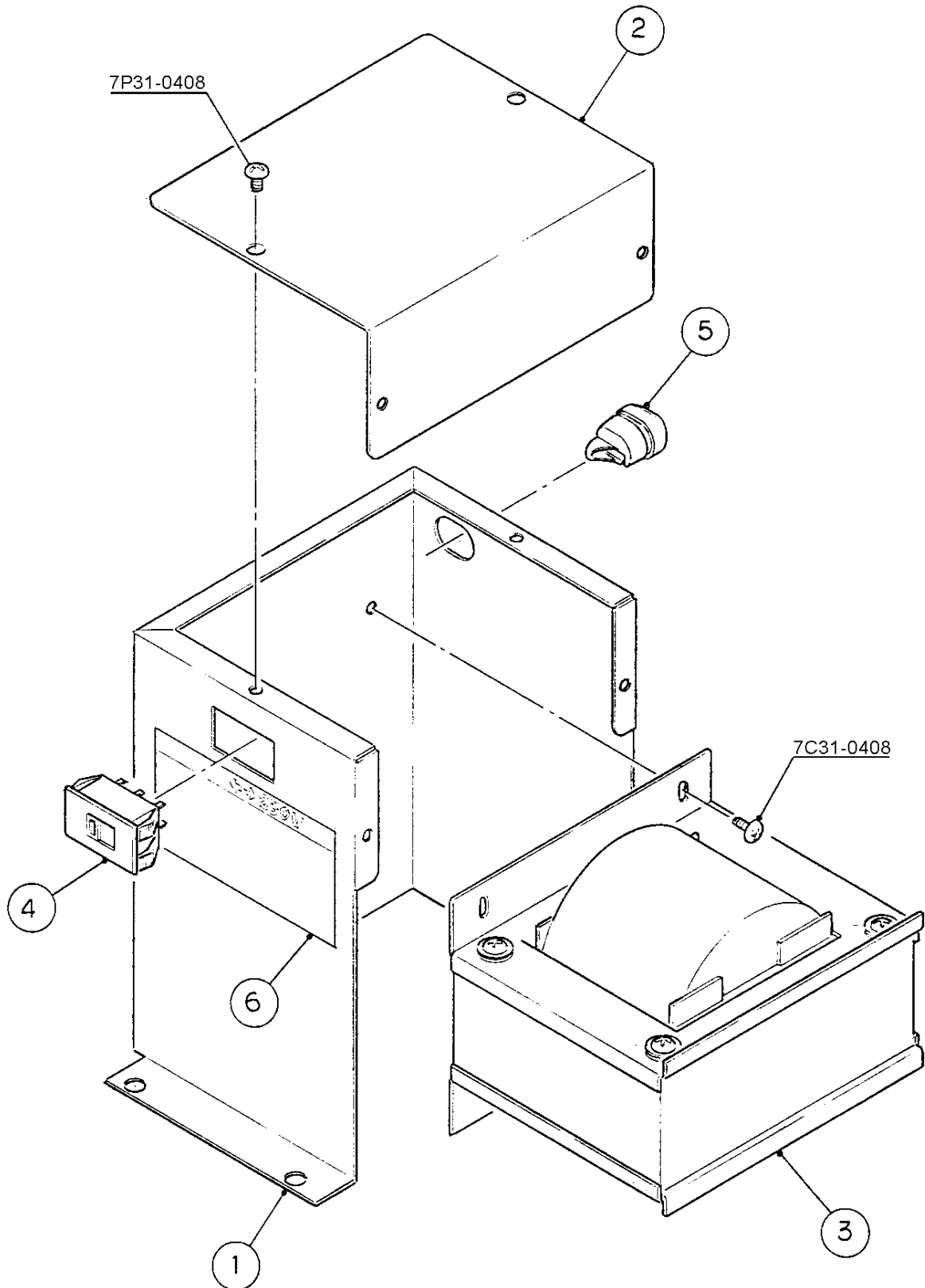


MODEL: KM-1600MRF TITLE: E. LABEL LOCATION									
INDEX NO.	DESCRIPTION	MATERIAL OR MODEL NUMBER	PART NUMBER	REQUIRED NUMBER					
				H-1	H-2	J-0, K-0, L-0			
1	EMBLEM	ABS	4A0560-01	1	1	1			
2	MODEL NUMBER LABEL	PETP FILM	4A1233-09	1	1	1			
3	LABEL - PENGUIN (R)	PETP FILM	4A0526-01	1	1	1			
4	MAINTENANCE LABEL	PVC FILM	325975-01	1	1	1			
5	CAUTION LABEL (H)	PVC FILM	439148-01	1	1	1			
6	WIRING LABEL	PVC FILM	3A1002-01	1	1	1			
7	NAMEPLATE	PES FILM	4A1487-01	1	1	1			
8	CAUTION LABEL	PVC FILM	436198-01	1	1	1			
9	INSTRUCTION SHEET	PAPER	2A1137-01	1	1	1			
10	TAG WARNING: ELECTRICAL CONNECTION	PAPER	428430-01	1	1	1			
11	TAG - FAN MOTOR LEADS	PAPER	4A1494-01	1	1	1			
12	MANUAL LABEL	PVC FILM	324476-01	1	1	1			
13	MANUAL LABEL - BIN CONTROL	PVC FILM	322846-01	1	1	1			
14	LABEL – R404A	PES FILM	4A0960-01	2	2	2			
15	LABEL - CHARGE	PES FILM	4A1399-05	1	1	1			
16	LABEL - CONTROL BOARD		3A1325-01	1	1	1			
17	OPERATION LABEL - VALVE	PVC FILM	439541-01	1	1	1			
18	CAUTION REMOTE LABEL	PVC FILM	4A1491-01	1	1	1			
19	INSTRUCTION LABEL	PVC FILM	444575-01	1	1	1			
20	CAUTION TAPE – 404A	L=250	4A1535L01	1	1	1			
21	RATING LABEL	-	4A1643-01	1	1	1			

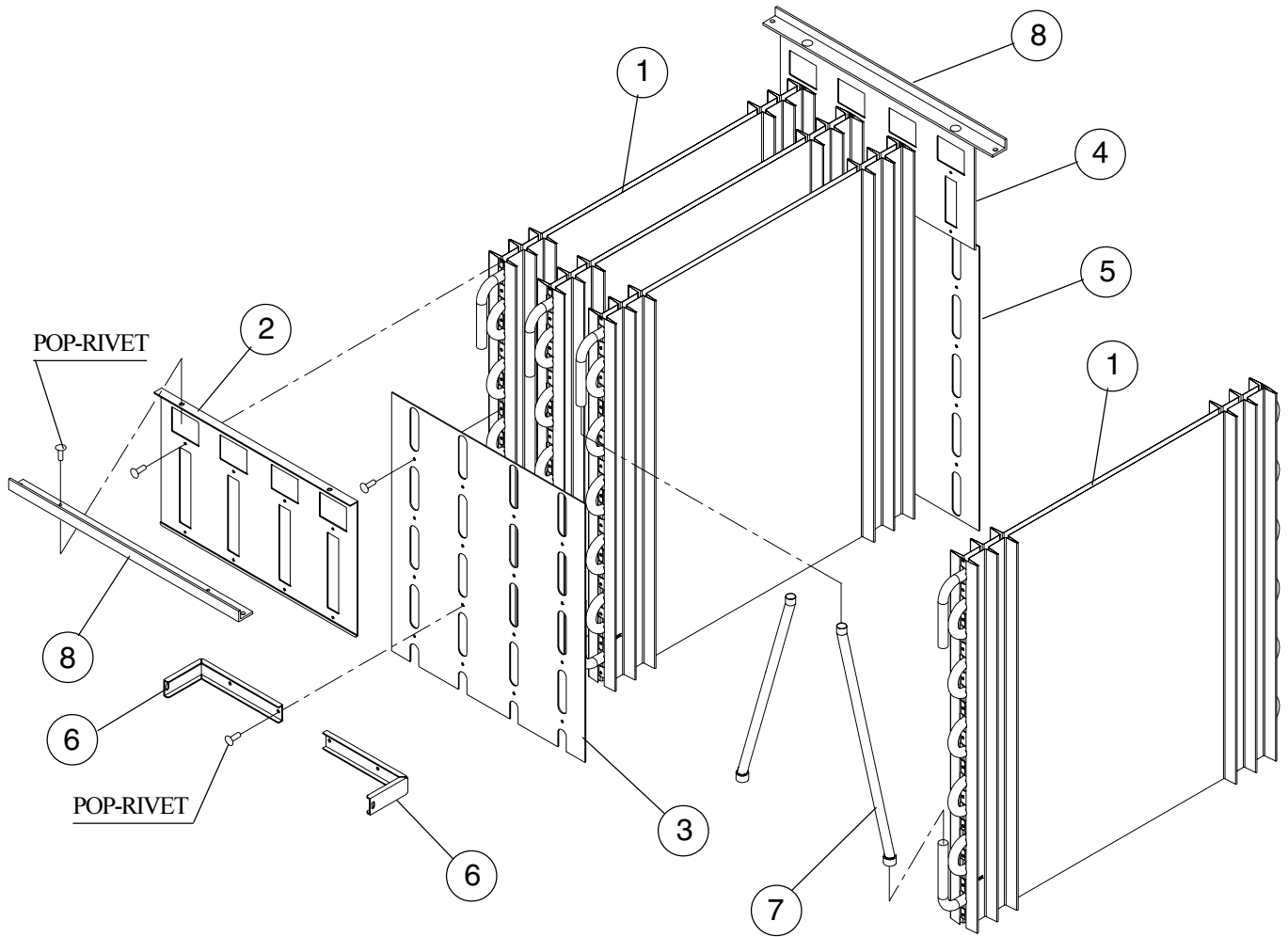
MODEL: KM-1600MRF3 TITLE: E. LABEL LOCATION									
INDEX NO.	DESCRIPTION	MATERIAL OR MODEL NUMBER	PART NUMBER	REQUIRED NUMBER					
				H-1	H-2	J-0, K-0, L-0			
1	EMBLEM	ABS	4A0560-01	1	1	1			
2	MODEL NUMBER LABEL	PETP FILM	4A1233-10	1	1	1			
3	LABEL - PENGUIN (R)	PETP FILM	4A0526-01	1	1	1			
4	MAINTENANCE LABEL	PVC FILM	325975-01	1	1	1			
5	CAUTION LABEL (H)	PVC FILM	439148-01	1	1	1			
6	WIRING LABEL	PVC FILM	3A0991-01	1	1	1			
7	NAMEPLATE	PES FILM	4A1488-01	1	1	1			
8	CAUTION LABEL	PVC FILM	436198-01	1	1	1			
9	INSTRUCTION SHEET	PAPER	2A1137-01	1	1	1			
10	TAG WARNING: ELECTRICAL CONNECTION	PAPER	438479-01	1	1	1			
11	TAG - FAN MOTOR LEADS	PAPER	4A1494-01	1	1	1			
12	MANUAL LABEL	PVC FILM	324476-01	1	1	1			
13	MANUAL LABEL - BIN CONTROL	PVC FILM	322846-01	1	1	1			
14	LABEL – R404A	PES FILM	4A0960-01	2	2	2			
15	LABEL - CHARGE	PES FILM	4A1399-05	1	1	1			
16	LABEL - CONTROL BOARD		3A1325-01	1	1	1			
17	OPERATION LABEL - VALVE	PVC FILM	439541-01	1	1	1			
18	CAUTION REMOTE LABEL	PVC FILM	4A1491-01	1	1	1			
19	INSTRUCTION LABEL	PVC FILM	444575-01	1	1	1			
20	CAUTION TAPE – 404A	L=250	4A1535L01	1	1	1			
21	RATING LABEL	-	4A1644-01	1	1	1			



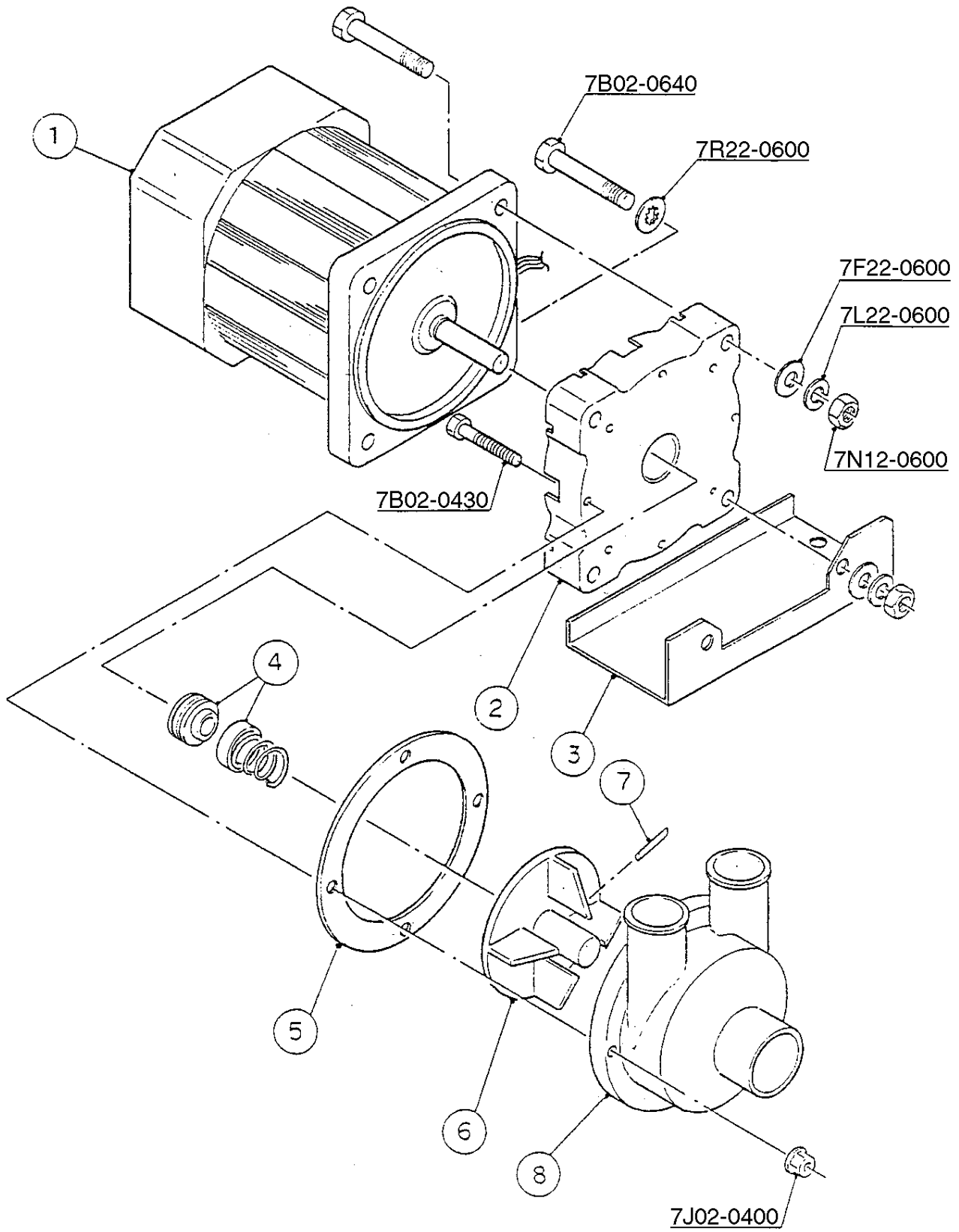
MODEL: KM-1600MRF TITLE: F. CAPACITOR BOX ASSEMBLY									
INDEX NO.	DESCRIPTION	MATERIAL OR MODEL NUMBER	PART NUMBER	REQUIRED NUMBER					
				H-1	H-2	J-0, K-0, L-0			
1	CAPACITOR BOX	GS	326124-02	1	1	1			
2	CAPACITOR	40MFD 440V	439943-09	1	1	1			
3	CAPACITOR - STARTING	135- 155MFD330V	3A0076-12	1	1	1			
4	STRAP	GS	434580-08	1	1	1			
5	STARTER	-	434923-01	1	1	1			
6	BUSHING	SR-30-1	420472-03	1	1	1			
7	CAPACITOR BOX COVER	GS	326125-01	1	1	1			



MODEL: KM-1600MRF3 TITLE: F. TRANSFORMER BOX ASSEMBLY									
INDEX NO.	DESCRIPTION	MATERIAL OR MODEL NUMBER	PART NUMBER	REQUIRED NUMBER					
				H-1	H-2	J-0, K-0, L-0			
1	TRANSFORMER BOX	-	3A1101-01	1	1	1			
2	TRANSFORMER BOX COVER	-	438467-01	1	1	1			
3	TRANSFORMER	-	4A0817-01	1	1	1			
4	SLIDE SWITCH	-	4A1477-01	1	1	1			
5	BUSHING	SR-30-1	420472-03	1	1	1			
6	MANUAL LABEL - TAP SWITCH	PVC FILM	439423-01	1	1	1			



MODEL: KM-1600MRF, MRF3 TITLE: G. EVAPORATOR									
INDEX NO.	DESCRIPTION	MATERIAL OR MODEL NUMBER	PART NUMBER	REQUIRED NUMBER					
				H-1	H-2	J-0, K-0, L-0			
1	EVAPORATOR	S-0641	104442G01	4	4	4			
2	EVAP. BRACKET (A)	SS	322700-01	1	1	1			
3	END PLATE (A)	ABS	322842-01	1	1	1			
4	EVAP. BRACKET (B)	SS	322701-01	1	1	1			
5	END PLATE (B)	ABS	322843-01	1	1	1			
6	EVAP. BRACKET (C)	GS	4A0659-01	2	2	2			
7	COPPER TUBE	COPPER	434320-01	2	2	2			
8	FRAME - EVAP.	GS	435062-01	2	2	2			



MODEL: KM-1600MRF, MRF3 TITLE: H. PUMP MOTOR ASSEMBLY									
INDEX NO.	DESCRIPTION	MATERIAL OR MODEL NUMBER	PART NUMBER	REQUIRED NUMBER					
				H-1	H-2	J-0, K-0, L-0			
1	PUMP MOTOR	M91A60SP201	2U0106-01	1	1	1			
2	PUMP FLANGE	PC	215662-01	1	1	1			
3	PUMP MOTOR BRACKET	SS	435507-01	1	1	1			
4	MECHANICAL SEAL	H5-PN 8MM	428545-01	1	1	1			
5	PACKING	EPDM	428547-01	1	1	1			
6	IMPELLER	ABS	428548-01	1	1	1			
7	PIN	SS	414102-01	1	1	1			
8	PUMP HOUSING	ABS	212636-01	1	1	1			

