

NO. U1QE-998

ISSUED: JUN.11, 1991

REVISED: \_\_\_\_\_



**HOSHIZAKI  
MODULAR CRESCENT CUBER**

**MODEL KM-1600MWB3  
KM-1600MRB3**

**PARTS LIST**

A-1 JAN. 1991

## MATERIAL ABBREVIATIONS

### PLASTIC

|      |   |                                    |
|------|---|------------------------------------|
| ABS  | = | Acrylonitrile-butadien-styrene     |
| AC   | = | Polyacetal                         |
| EVA  | = | Ethylene vinyl acetate             |
| PA   | = | Polyamide =Nylon                   |
| PC   | = | Polycarbonate                      |
| PE   | = | Polyethylene                       |
| PES  | = | Polyester                          |
| PETP | = | Polyethylene terephthalate =Tetlon |
| PP   | = | Polypropyleneoride                 |
| PTFE | = | Polystyrene                        |
| PTFE | = | Polytetrafluoroethyrene =Teflon    |
| PUR  | = | Polyurethane                       |
| PVC  | = | Polyvinyl chloride                 |

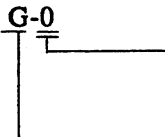
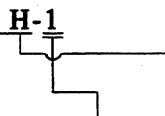
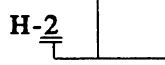
### RUBBER

|      |   |                          |
|------|---|--------------------------|
| EPDM | = | EP rubber                |
| NBR  | = | Nitrile butadiene rubber |
| NR   | = | Natural rubber           |
| SI.R | = | Silicone rubber          |
| SY.R | = | Synthetic rubber         |

### STEEL

|     |   |                  |
|-----|---|------------------|
| G.S | = | Galvanized steel |
| S.S | = | Stainless steel  |

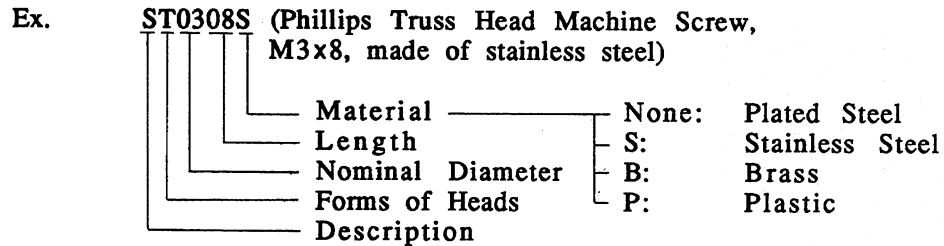
## AUXILIARY CODE

- Ex.1  The parts inchanged after the preceding year.  
"G" is the seventh in alphabetical order. So, "G" shows "1987".
- Ex.2  "H" is the eighth in alphabetical order. So, "H" shows "1988".
- Ex.3  Every time the parts are changed in a year, this number increases.

(Note) —=Parts was erased.  
X=Parts wase erased.(INTERCHANGEABLE)  
O=New parts for "X" in the same auxiliary code.

## EASTENER ABBREVIATION LIST

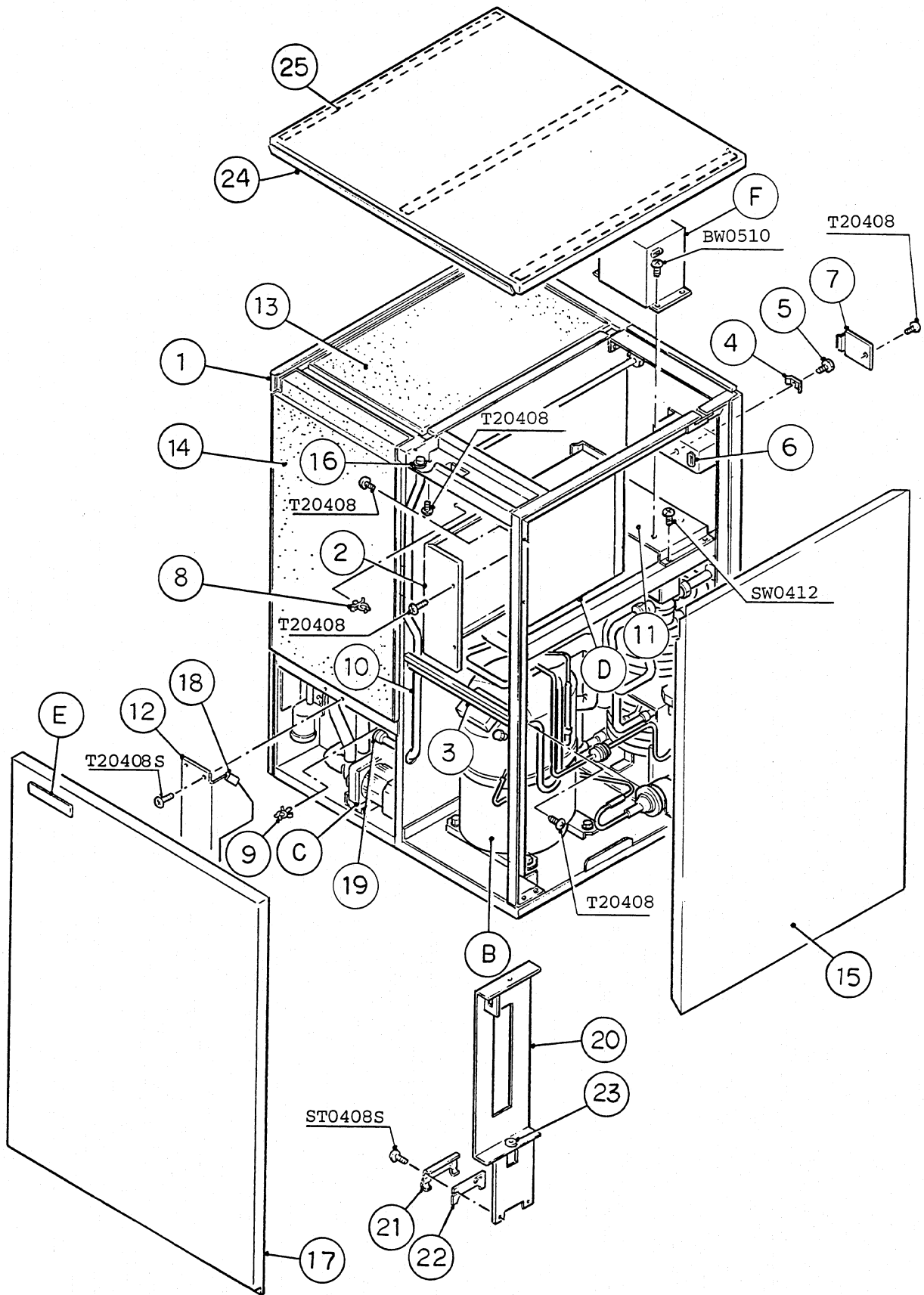
|    |  |
|----|--|
| ST | Phillips Truss Head Machine Screw                                      |
| SP | Phillips Pan Head Machine Screw  |
| SF | Phillips Flat Head Machine Screw                                       |
| SS | Phillips Pan Head Machine Screw with Split Lock Washer                 |
| ST | Phillips Pan Head Machine Screw with Split Lock Washer and Flat Washer |
| T1 | Phillips Truss Head Tapping Screw (Correspond to Type A)               |
| T2 | Phillips Truss Head Tapping Screw (Correspond to Type B)               |
| T3 | Phillips Truss Head Tapping Screw (Correspond to Type C)               |
| FT | Phillips Truss Head Tapping Screw (Special)                            |
| BH | Hexagon Head Bolt  |
| BC | Socket Head Cap Screw  |
| BS | Hexagon Bolt with Split Washer   |
| BW | Hexagon Bolt with Split Washer and Flat Washer                         |
| BF | Hexagon Flange Bolt  |
| WL | Split Lock Washer  |
| WT | External Tooth Washer  |
| WF | Flat Washer  |
| WS | Spring Washer  |
| NH | Hexagon Nut  |
| NF | Hexagon Flange Nut   |
| NC | Hexagon Cap Nut  |
| NS | Square Nut   |
| NW | Wing Nut   |



(Note) Second character is numerical except the list.

Ex. S1, S2, B3 etc.

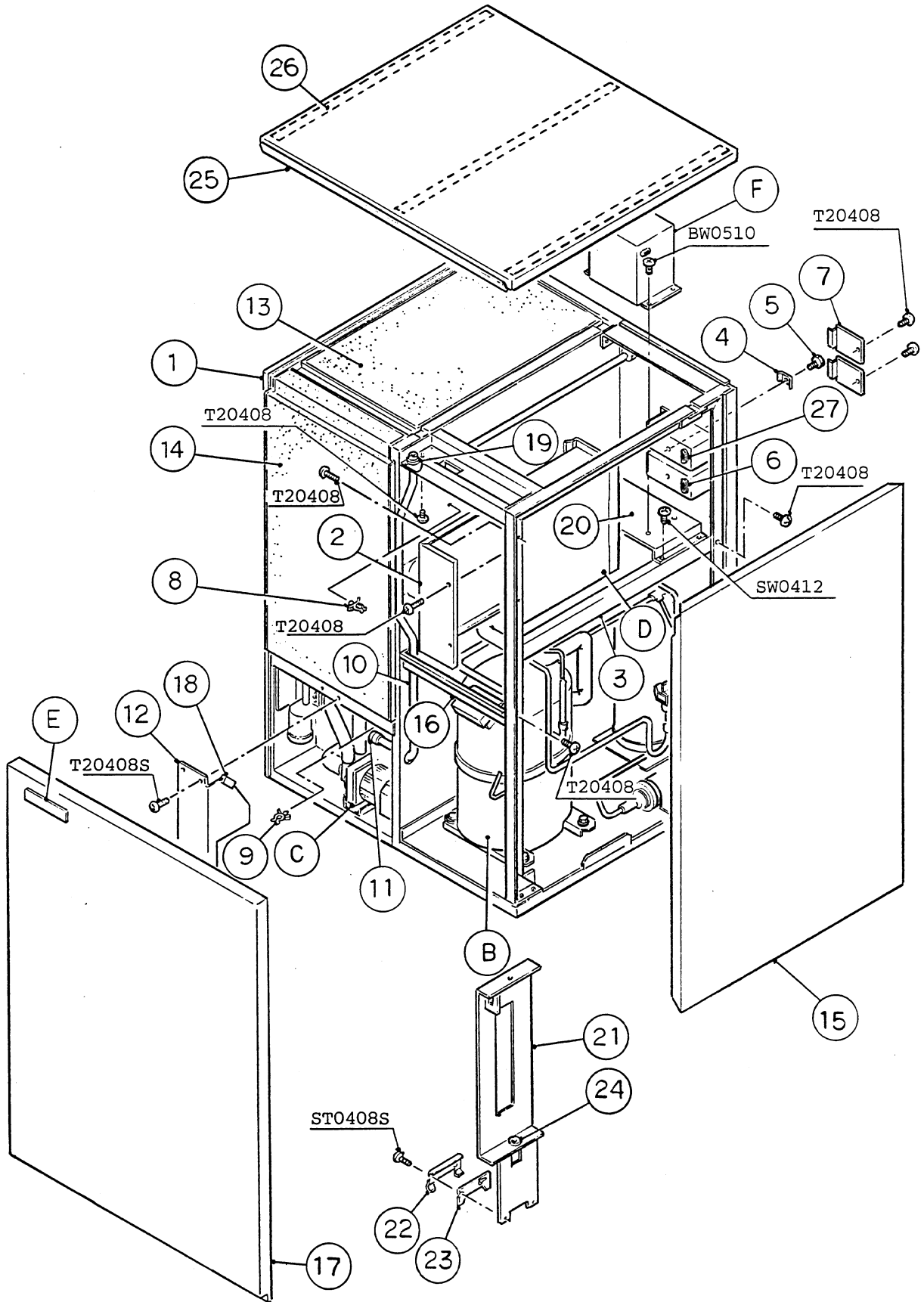
And abbreviations and names are shown under the illustration.



HA

| MODEL       |                       | TITLE                    |             |              |  |  |  |  |
|-------------|-----------------------|--------------------------|-------------|--------------|--|--|--|--|
| KM-1600MWB3 |                       | A. ICE CUBER ASSY        |             |              |  |  |  |  |
| INDEX NO.   | DESCRIPTION           | MATERIAL OR MODEL NUMBER | PART NUMBER | REQ'D NUMBER |  |  |  |  |
|             |                       |                          |             | A-1          |  |  |  |  |
| B           | REFRIGERATION UNIT    | -                        | 105062A01   | 1            |  |  |  |  |
| C           | WATER CIRCUIT         | -                        | 105060A01   | 1            |  |  |  |  |
| D           | CONT. BOX ASSY        | -                        | 215441A01   | 1            |  |  |  |  |
| E           | LABEL LOCATION        | -                        | 325918A01   | 1            |  |  |  |  |
| F           | TRANSFORMER BOX ASSY  | -                        | 326214A01   | 1            |  |  |  |  |
| 1           | Evap. Case            | -                        | 105061G01   | 1            |  |  |  |  |
| 2           | Cont. Box Cover       | G. S                     | 322616G02   | 1            |  |  |  |  |
| 3           | Frame (G)             | -                        | 439086G01   | 1            |  |  |  |  |
| 4           | Square Washer         | Copper                   | 433537-02   | 1            |  |  |  |  |
| 5           | Screw - Grounding     | Brass                    | 433304-02   | 1            |  |  |  |  |
| 6           | Bushing               | SR-34-2                  | 420472-05   | 1            |  |  |  |  |
| 7           | Junction Box Cover    | G. S                     | 433410-01   | 1            |  |  |  |  |
| 8           | Clamp                 | No. 249                  | 427902-03   | 7            |  |  |  |  |
| 9           | Clamp                 | No. 248                  | 427902-04   | 2            |  |  |  |  |
| 10          | Conduit               | Copper                   | 325678G01   | 1            |  |  |  |  |
| 11          | Transformer Box Mount | G. S                     | 325691-01   | 1            |  |  |  |  |
| 12          | Separator             | S. S                     | 322687-01   | 1            |  |  |  |  |
| 13          | Top Insulation        | ABS, PE                  | 322714G01   | 1            |  |  |  |  |
| 14          | Front Insulation      | ABS, PE                  | 322711G01   | 1            |  |  |  |  |
| 15          | Side Panel (R)        | S. S                     | 212688G01   | 1            |  |  |  |  |
| 16          | Bushing               | SB-625-8                 | 420470-01   | 1            |  |  |  |  |
| 17          | Front Panel           | S. S                     | 212686-01   | 1            |  |  |  |  |
| 18          | Edging                | EE-12                    | 435297-01   | 1            |  |  |  |  |
| 19          | Bushing               | OCB-500                  | 428394-02   | 1            |  |  |  |  |
| 20          | Bulb Holder           | -                        | 322815G01   | 1            |  |  |  |  |
| 21          | Bulb Holder (A)       | S. S                     | 433707-01   | 1            |  |  |  |  |
| 22          | Bulb Holder (B)       | ABS                      | 436549-01   | 1            |  |  |  |  |
| 23          | Bushing               | EPDM                     | 425307-01   | 1            |  |  |  |  |
| 24          | Top Panel             |                          | 212687-01   | 1            |  |  |  |  |
| 25          | Gasket                | ) (323836A01)            | 427014-04   | 3            |  |  |  |  |

E



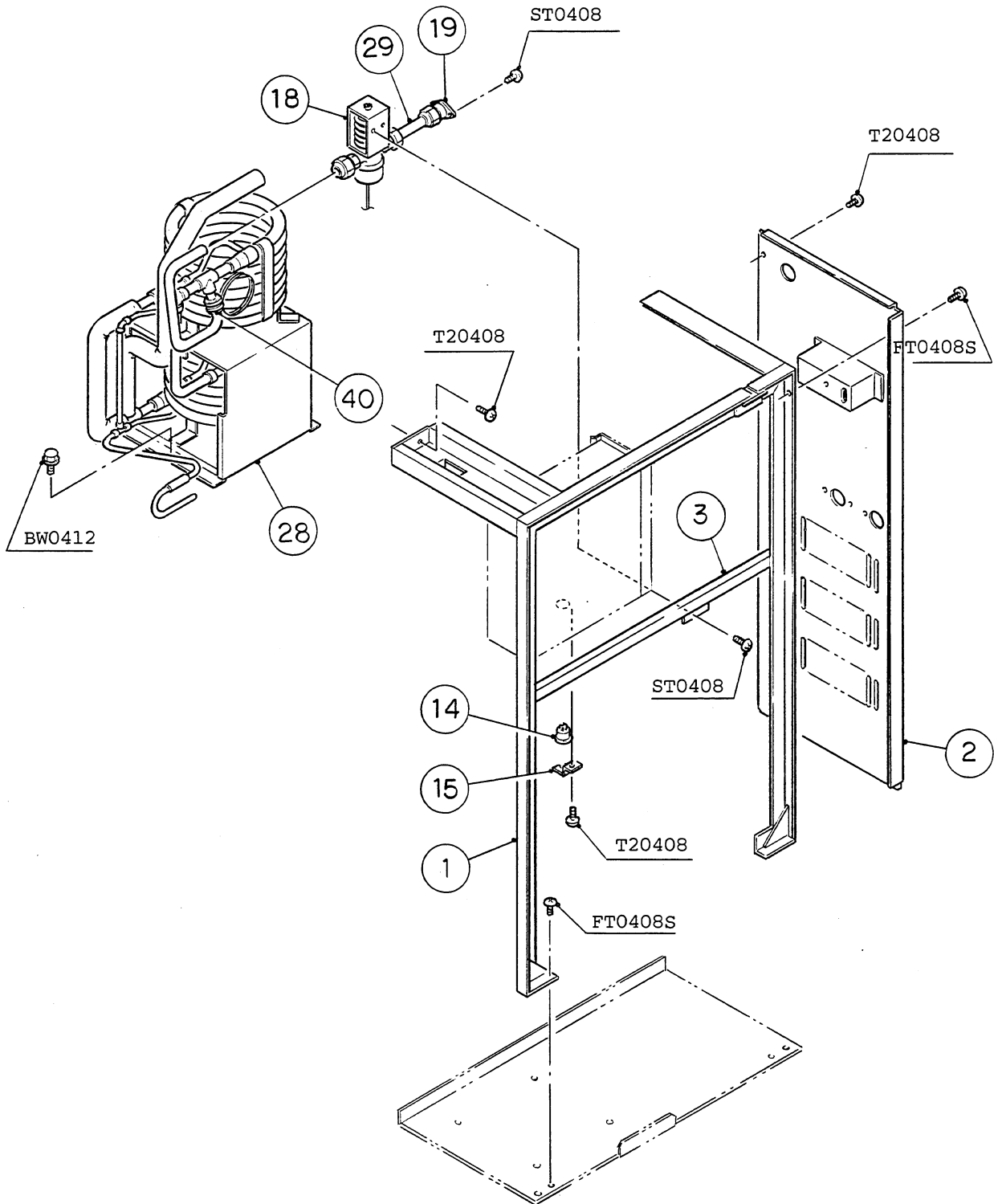
HA

| MODEL       |                       | TITLE                    |             |              |  |  |  |  |
|-------------|-----------------------|--------------------------|-------------|--------------|--|--|--|--|
| KM-1600MRB3 |                       | A. ICE CUBER ASSY        |             |              |  |  |  |  |
| INDEX NO.   | DESCRIPTION           | MATERIAL OR MODEL NUMBER | PART NUMBER | REQ'D NUMBER |  |  |  |  |
|             |                       |                          |             | A-1          |  |  |  |  |
| B           | REFRIGERATION UNIT    | -                        | 105063A01   | 1            |  |  |  |  |
| C           | WATER CIRCUIT         | -                        | 105060A01   | 1            |  |  |  |  |
| D           | CONT. BOX ASSY        | -                        | 215441A01   | 1            |  |  |  |  |
| E           | LABEL LOCATION        | -                        | 325919A01   | 1            |  |  |  |  |
| F           | TRANSFORMER BOX ASSY  | -                        | 326214A01   | 1            |  |  |  |  |
| 1           | Evap. Case            | -                        | 105061G02   | 1            |  |  |  |  |
| 2           | Cont. Box Cover       | G. S                     | 322616G02   | 1            |  |  |  |  |
| 3           | Frame (F)             | G. S                     | 325688G02   | 1            |  |  |  |  |
| 4           | Square Washer         | Copper                   | 433537-02   | 2            |  |  |  |  |
| 5           | Screw - Grounding     | Brass                    | 433304-02   | 2            |  |  |  |  |
| 6           | Bushing               | SR-30-1                  | 420472-03   | 1            |  |  |  |  |
| 7           | Junction Box Cover    | G. S                     | 433410-01   | 2            |  |  |  |  |
| 8           | Clamp                 | No. 249                  | 427902-03   | 7            |  |  |  |  |
| 9           | Clamp                 | No. 248                  | 427902-04   | 2            |  |  |  |  |
| 10          | Conduit               | Copper                   | 325678G01   | 1            |  |  |  |  |
| 11          | Bushing               | OCB-500                  | 428394-02   | 1            |  |  |  |  |
| 12          | Separator             | S. S                     | 322687-01   | 1            |  |  |  |  |
| 13          | Top Insulation        | ABS, PE                  | 322714G01   | 1            |  |  |  |  |
| 14          | Front Insulation      | ABS, PE                  | 322711G01   | 1            |  |  |  |  |
| 15          | Side Panel (R)        | S. S                     | 212688G01   | 1            |  |  |  |  |
| 16          | Frame (G)             | -                        | 439086G01   | 1            |  |  |  |  |
| 17          | Front Panel           | S. S                     | 212686-01   | 1            |  |  |  |  |
| 18          | Edging                | EE-12                    | 435297-01   | 1            |  |  |  |  |
| 19          | Bushing               | SB-625-8                 | 420470-01   | 1            |  |  |  |  |
| 20          | Transformer Box Mount | Steel                    | 325691-01   | 1            |  |  |  |  |
| 21          | Bulb Holder           | -                        | 322815G01   | 1            |  |  |  |  |
| 22          | Bulb Holder (A)       | S. S                     | 433707-01   | 1            |  |  |  |  |
| 23          | Bulb Holder (B)       | ABS                      | 436549-01   | 1            |  |  |  |  |
| 24          | Bushing               | EPDM                     | 425307-01   | 1            |  |  |  |  |
| 25          | Top Panel             |                          | 212687-01   | 1            |  |  |  |  |
| 26          | Gasket                | ) (323836A01)            | 427014-04   | 3            |  |  |  |  |
| 27          | Bushing               | SR-34-2                  | 420472-05   | 1            |  |  |  |  |

E







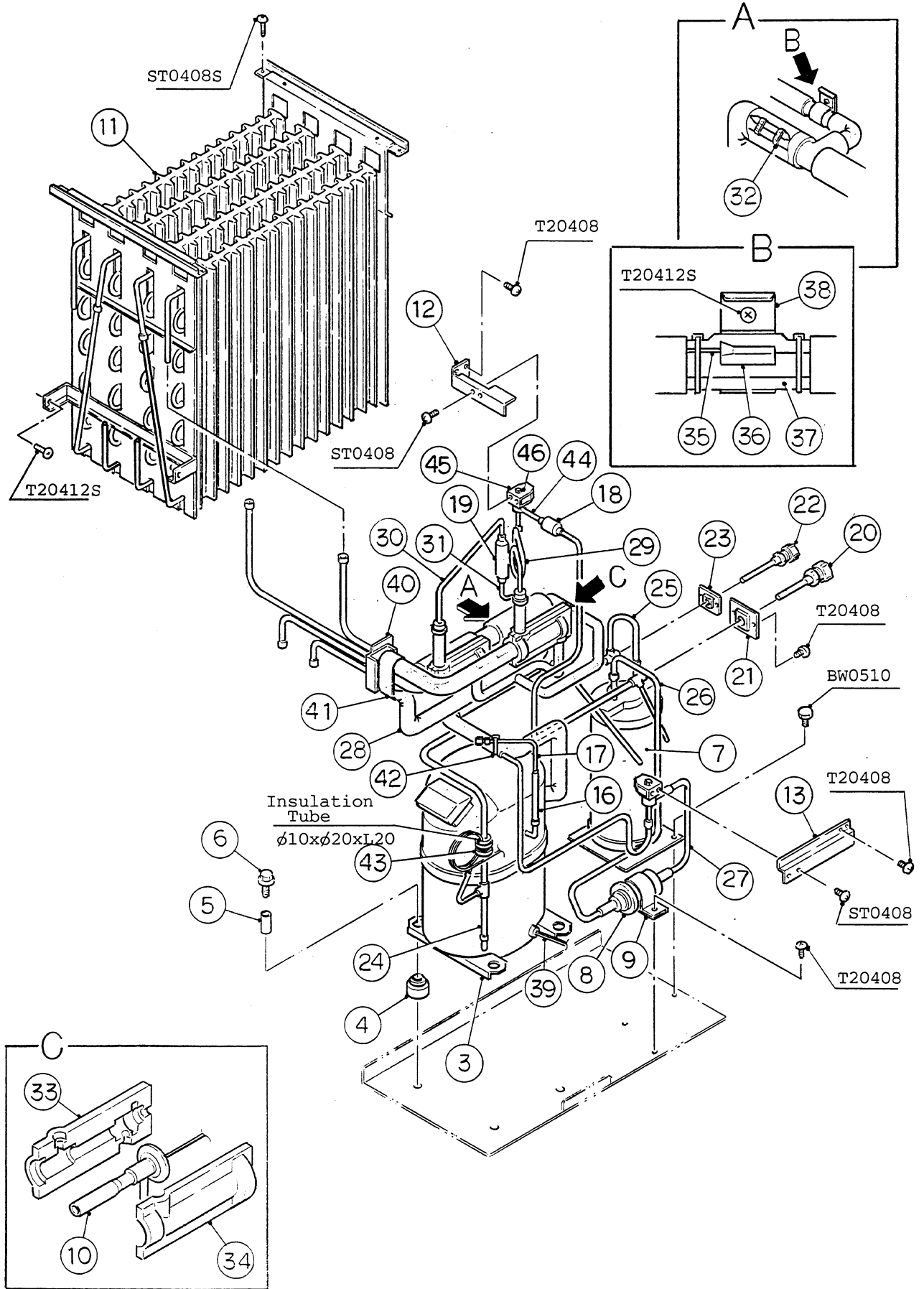
| MODEL       |                               | TITLE                    |             |              |  |  |  |  |
|-------------|-------------------------------|--------------------------|-------------|--------------|--|--|--|--|
| KM-1600MWB3 |                               | B. REFRIGERATION UNIT    |             |              |  |  |  |  |
| INDEX NO.   | DESCRIPTION                   | MATERIAL OR MODEL NUMBER | PART NUMBER | REQ'D NUMBER |  |  |  |  |
|             |                               |                          |             | A-1          |  |  |  |  |
| 1           | Frame                         | G. S                     | 215253G01   | 1            |  |  |  |  |
| 2           | Rear Panel                    | G. S                     | 215239G01   | 1            |  |  |  |  |
| 3           | Frame (F)                     | G. S                     | 325688G01   | 1            |  |  |  |  |
| 4           | Compressor                    | M50A273DBDA              | 438505-02   | 1            |  |  |  |  |
| 5           | Grommet                       | -                        | 434922-01   | 4            |  |  |  |  |
| 6           | Spacer                        | -                        | 434921-01   | 4            |  |  |  |  |
| 7           | Bolt                          | 8x45                     | 437889-01   | 4            |  |  |  |  |
| 8           | Drier                         | DM2-Y903HDU-1            | 439676-01   | 1            |  |  |  |  |
| 9           | Drier Bracket                 | G. S                     | 438211-01   | 1            |  |  |  |  |
| 10          | Exp. Valve                    | HFE-15RHD-1              | 438212-01   | 2            |  |  |  |  |
| 11          | Evaporator                    | -                        | 104442G01   | 1            |  |  |  |  |
| 12          | Hot Gas Valve Bracket         | G. S                     | 325689G01   | 1            |  |  |  |  |
| 13          | Line Valve Bracket            | G. S                     | 439087-01   | 1            |  |  |  |  |
| 14          | Pressure Sw.                  | ACB-2UB02                | 433441-01   | 1            |  |  |  |  |
| 15          | Pressure Sw. Bracket          | G. S                     | 434938-01   | 1            |  |  |  |  |
| 16          | Copper Tube - Access Valve    | Copper                   | 439089-01   | 1            |  |  |  |  |
| 17          | Access Valve                  | TCJ-2F15-HD              | 417366-01   | 2            |  |  |  |  |
| 18          | Water Regulator               | WV-5RHD-1                | 438216-01   | 1            |  |  |  |  |
| 19          | Fitting                       | Brass                    | 322710-01   | 2            |  |  |  |  |
| 20          | Strainer                      | -                        | 430365-02   | 1            |  |  |  |  |
| 21          | Check Valve                   | YCV5-2                   | 425342-01   | 2            |  |  |  |  |
| 22          | Copper Tube (A) - High Side   | Copper                   | 105059G01   | 1            |  |  |  |  |
| 23          | Copper Tube (D) - High Side   | Copper                   | 439665-01   | 1            |  |  |  |  |
| 24          | Heat Exchanger                | Copper                   | 105057G01   | 1            |  |  |  |  |
| 25          | Copper Tube (R) - Low Side    | Copper                   | 215249G01   | 1            |  |  |  |  |
| 26          | Copper Tube (L) - Low Side    | Copper                   | 215250G01   | 1            |  |  |  |  |
| 27          | Copper Tube - Hot Gas         | Copper                   | 325941G01   | 1            |  |  |  |  |
| 28          | Condenser - Water-cooled Assy | -                        | 105196G01   | 1            |  |  |  |  |
| 29          | Copper Tube - (C)             | Copper                   | 439088G01   | 1            |  |  |  |  |
| 30          | Clamp                         | D11-S                    | 435254-04   | 4            |  |  |  |  |
| 31          | Exp. Valve Cover (A)          | PE Foam                  | 324214-01   | 2            |  |  |  |  |
| 32          | Exp. Valve Cover (B)          | PE Foam                  | 324214-02   | 2            |  |  |  |  |
| 33          | Thermistor                    | -                        | 429006-03   | 1            |  |  |  |  |
| 34          | Holder - Thermistor           | Copper                   | 438247-01   | 1            |  |  |  |  |
| 35          | Insulation - Thermistor       | PE Foam                  | 427441-01   | 1            |  |  |  |  |

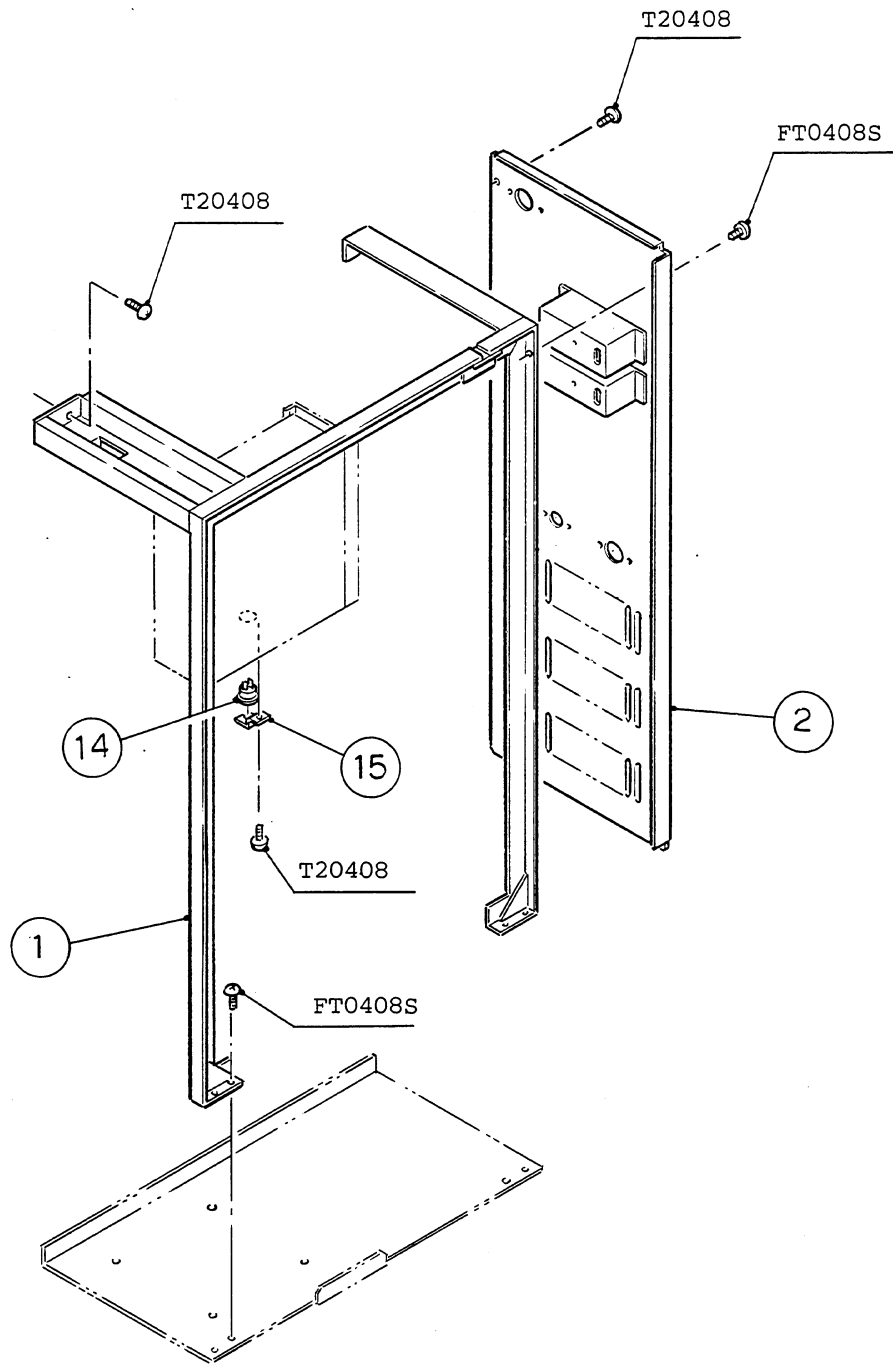
E

HA

| MODEL       |                       | TITLE                    |             |              |  |  |  |  |
|-------------|-----------------------|--------------------------|-------------|--------------|--|--|--|--|
| KM-1600MWB3 |                       | B. REFRIGERATION UNIT    |             |              |  |  |  |  |
| INDEX NO.   | DESCRIPTION           | MATERIAL OR MODEL NUMBER | PART NUMBER | REQ'D NUMBER |  |  |  |  |
|             |                       |                          |             | A-1          |  |  |  |  |
| 36          | Strap - Thermistor    | S. S                     | 4A0035-01   | 1            |  |  |  |  |
| 37          | Insulated Rubber Tube | -                        | 323975G01   | 1            |  |  |  |  |
| 38          | Insulation            | PE FOAM                  | 436671-01   | 1            |  |  |  |  |
| 39          | Tie                   | CV-200                   | 7920-0010   | 2            |  |  |  |  |
| 40          | Tie                   | CV-100                   | 7920-0002   | 4            |  |  |  |  |
| 41          | Valve Body            | 70                       | 440352-01   | 1            |  |  |  |  |
| 42          | Coil Valve            | ABS-25-HD-2              | 440353-01   | 1            |  |  |  |  |
| 43          | Bolt                  | -                        | 440353F01   | 1            |  |  |  |  |

E





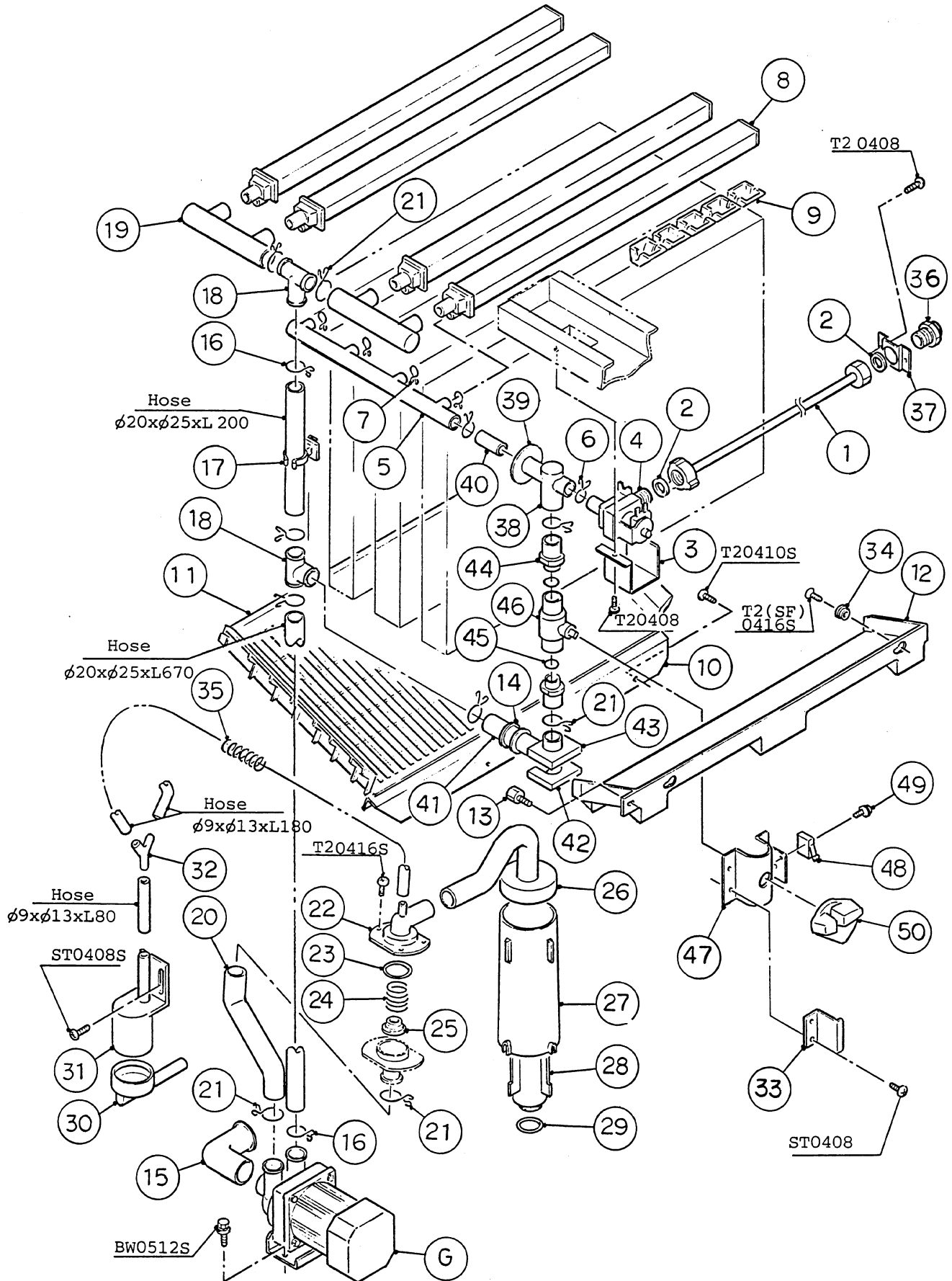
| MODEL       |                             | TITLE                    |             |              |  |  |  |  |
|-------------|-----------------------------|--------------------------|-------------|--------------|--|--|--|--|
| KM-1600MRB3 |                             | B. REFRIGERATION UNIT    |             |              |  |  |  |  |
| INDEX NO.   | DESCRIPTION                 | MATERIAL OR MODEL NUMBER | PART NUMBER | REQ'D NUMBER |  |  |  |  |
|             |                             |                          |             | A-1          |  |  |  |  |
| 1           | Frame                       | G. S                     | 215253G01   | 1            |  |  |  |  |
| 2           | Rear Panel                  | G. S                     | 215241G01   | 1            |  |  |  |  |
| 3           | Compressor                  | M50A273DBDA              | 438505-01   | 1            |  |  |  |  |
| 4           | Grommet                     | -                        | 434922-01   | 4            |  |  |  |  |
| 5           | Spacer                      | -                        | 434921-01   | 4            |  |  |  |  |
| 6           | Bolt                        | 8x45                     | 437889-01   | 4            |  |  |  |  |
| 7           | Reservoir                   | RRMWP450                 | 438209-01   | 1            |  |  |  |  |
| 8           | Drier                       | DM2-Y903HDU-1            | 439676-01   | 1            |  |  |  |  |
| 9           | Drier Bracket               | G. S                     | 438211-01   | 1            |  |  |  |  |
| 10          | Exp. Valve                  | HFE-15RHD-1              | 438212-01   | 2            |  |  |  |  |
| 11          | Evaporator                  | -                        | 104442G01   | 1            |  |  |  |  |
| 12          | Hot Gas Valve Bracket       | G. S                     | 325689G01   | 1            |  |  |  |  |
| 13          | Line Valve Bracket          | G. S                     | 439087-01   | 1            |  |  |  |  |
| 14          | Pressure Sw.                | ACB-2UB04                | 433441-05   | 1            |  |  |  |  |
| 15          | Pressure Sw. Bracket        | G. S                     | 434938-01   | 1            |  |  |  |  |
| 16          | Copper Tube - Access Valve  | Copper                   | 439089-01   | 1            |  |  |  |  |
| 17          | Access Valve                | TCJ-2F15-HD              | 417366-01   | 1            |  |  |  |  |
| 18          | Strainer                    | -                        | 430365-02   | 1            |  |  |  |  |
| 19          | Check Valve                 | YCV5-2                   | 425342-01   | 2            |  |  |  |  |
| 20          | Coupling                    | -                        | 434136G01   | 1            |  |  |  |  |
| 21          | Tube Holder (L)             | -                        | 438245-01   | 1            |  |  |  |  |
| 22          | Coupling                    | -                        | 433751G01   | 1            |  |  |  |  |
| 23          | Tube Holder (S)             | -                        | 438246-01   | 1            |  |  |  |  |
| 24          | Copper Tube (A) - High Side | Copper                   | 105056G01   | 1            |  |  |  |  |
| 25          | Copper Tube (B) - High Side | Copper                   | 325677G01   | 1            |  |  |  |  |
| 26          | Copper Tube (C) - High Side | Copper                   | 326244-01   | 1            |  |  |  |  |
| 27          | Copper Tube (D) - High Side | Copper                   | 439665-01   | 1            |  |  |  |  |
| 28          | Heat Exchanger              | Copper                   | 105057G01   | 1            |  |  |  |  |
| 29          | Copper Tube (R) - Low Side  | Copper                   | 215249G01   | 1            |  |  |  |  |
| 30          | Copper Tube (L) - Low Side  | Copper                   | 215250G01   | 1            |  |  |  |  |
| 31          | Copper Tube - Hot Gas       | Copper                   | 325941G01   | 2            |  |  |  |  |
| 32          | Clamp                       | D11-S                    | 435254-04   | 4            |  |  |  |  |
| 33          | Exp. Valve Cover (A)        | PE Foam                  | 324214-01   | 2            |  |  |  |  |
| 34          | Exp. Valve Cover (B)        | PE Foam                  | 324214-02   | 2            |  |  |  |  |
| 35          | Thermistor                  | -                        | 429006-03   | 1            |  |  |  |  |

E

HA

| MODEL       |                         | TITLE                    |             |              |  |  |  |  |
|-------------|-------------------------|--------------------------|-------------|--------------|--|--|--|--|
| KM-1600MRB3 |                         | B. REFRIGERATION UNIT    |             |              |  |  |  |  |
| INDEX NO.   | DESCRIPTION             | MATERIAL OR MODEL NUMBER | PART NUMBER | REQ'D NUMBER |  |  |  |  |
|             |                         |                          |             | A-1          |  |  |  |  |
| 36          | Holder - Thermistor     | Copper                   | 438247-01   | 1            |  |  |  |  |
| 37          | Insulation - Thermistor | PE Foam                  | 427441-01   | 1            |  |  |  |  |
| 38          | Strap - Thermistor      | S.S                      | 4A0035-01   | 1            |  |  |  |  |
| 40          | Insulated Rubber Tube   | -                        | 323975G01   | 1            |  |  |  |  |
| 41          | Insulation              | PE FOAM                  | 436671-01   | 1            |  |  |  |  |
| 42          | Tie                     | CV-200                   | 7920-0010   | 1            |  |  |  |  |
| 43          | Tie                     | CV-100                   | 7920-0002   | 2            |  |  |  |  |
| 44          | Valve Body              | 70                       | 440352-01   | 2            |  |  |  |  |
| 45          | Coil Valve              | ABS-25-1-HD-2            | 440353-01   | 2            |  |  |  |  |
| 46          | Bolt                    | -                        | 440353F01   | 2            |  |  |  |  |

E





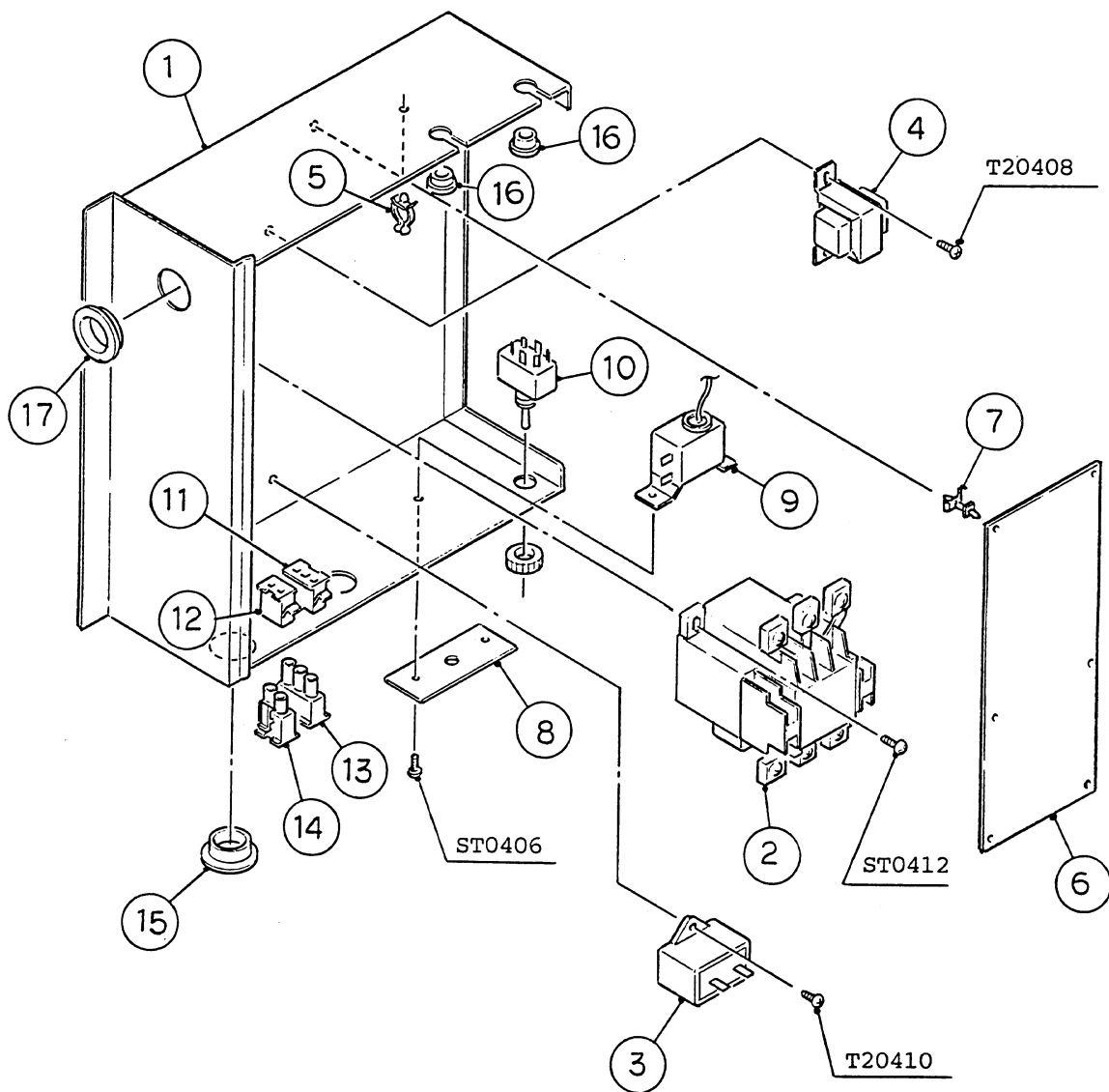
| MODEL            |                          | TITLE                    |             |              |  |  |  |  |
|------------------|--------------------------|--------------------------|-------------|--------------|--|--|--|--|
| KM-1600WB3, MRB3 |                          | C. WATER CIRCUIT         |             |              |  |  |  |  |
| INDEX NO.        | DESCRIPTION              | MATERIAL OR MODEL NUMBER | PART NUMBER | REQ'D NUMBER |  |  |  |  |
|                  |                          |                          |             | A-1          |  |  |  |  |
| G                | PUMP MOTOR ASSY          | (S-0731)                 | 215693A01   | 1            |  |  |  |  |
| 1                | Water Supply Pipe        | Copper                   | 436670G01   | 1            |  |  |  |  |
| 2                | Rubber Gasket            | NBR                      | 413854-01   | 2            |  |  |  |  |
| 3                | Water Valve Bracket      | G. S                     | 321443-01   | 1            |  |  |  |  |
| 4                | Water Valve              | J248-030                 | 3U0111-01   | 1            |  |  |  |  |
| 5                | Distributor Hose         | EPDM                     | 325933-01   | 1            |  |  |  |  |
| 6                | Hose Clamp               | S. S, 18mm               | 427443-05   | 2            |  |  |  |  |
| 7                | Hose Clamp               | S. S, 13.5mm             | 427443-07   | 4            |  |  |  |  |
| 8                | Spray Tube               | ABS                      | 433520G01   | 4            |  |  |  |  |
| 9                | Spray Guide (A)          | PE                       | 208586-01   | 12           |  |  |  |  |
| 10               | Plate                    | S. S                     | 435045-01   | 1            |  |  |  |  |
| 11               | Cube Guide (A)           | ABS                      | 214905-01   | 1            |  |  |  |  |
| 12               | Cube Guide (B)           | ABS                      | 322644-02   | 1            |  |  |  |  |
| 13               | Thumbscrew               | S. S, ABS                | 415949G01   | 1            |  |  |  |  |
| 14               | Rubber Ring              | EPDM                     | 439236-01   | 1            |  |  |  |  |
| 15               | Hose (A)                 | EPDM                     | 435091-01   | 1            |  |  |  |  |
| 16               | Hose Clamp               | 25mm                     | 427443-03   | 7            |  |  |  |  |
| 17               | Holder                   | PP                       | 322692-01   | 2            |  |  |  |  |
| 18               | Distributor              | ABS                      | 432426-01   | 2            |  |  |  |  |
| 19               | Distributor Hose (B)     | EPDM                     | 432432-01   | 2            |  |  |  |  |
| 20               | Drain Hose               | EPDM                     | 435092-01   | 1            |  |  |  |  |
| 21               | Hose Clamp               | 27mm                     | 427443-08   | 4            |  |  |  |  |
| 22               | Drain Valve (B)          | ABS                      | 322693-01   | 1            |  |  |  |  |
| 23               | "O" Ring                 | 1AG35                    | 7761-G035   | 1            |  |  |  |  |
| 24               | Spring                   | S. S                     | 322685-01   | 1            |  |  |  |  |
| 25               | Valve Sheet              | EPDM                     | 433705-01   | 1            |  |  |  |  |
| 26               | Hose (C)                 | EPDM                     | 326655-01   | 1            |  |  |  |  |
| 27               | Overflow Cap             | ABS                      | 322816-01   | 1            |  |  |  |  |
| 28               | Overflow Pipe            | ABS                      | 322691-01   | 1            |  |  |  |  |
| 29               | "O" Ring                 | 1AP32                    | 7611-P032   | 1            |  |  |  |  |
| 30               | Connector - Float Switch | EPDM                     | 426799-01   | 1            |  |  |  |  |
| 31               | Float Switch             | FS-0893A-2               | 430417-02   | 1            |  |  |  |  |
| 32               | Connector                | ABS                      | 432763-01   | 1            |  |  |  |  |
| 33               | Handle Bracket           | G. S                     | 439929-01   | 1            |  |  |  |  |

E

HA

| MODEL             |                        | TITLE                    |             |              |  |  |  |  |
|-------------------|------------------------|--------------------------|-------------|--------------|--|--|--|--|
| KM-1600MWB3, MRB3 |                        | C. WATER CIRCUIT         |             |              |  |  |  |  |
| INDEX NO.         | DESCRIPTION            | MATERIAL OR MODEL NUMBER | PART NUMBER | REQ'D NUMBER |  |  |  |  |
|                   |                        |                          |             | A-1          |  |  |  |  |
| 34                | Collar                 | ABS                      | 435269-01   | 1            |  |  |  |  |
| 35                | Spring                 | S. S                     | 435825-01   | 1            |  |  |  |  |
| 36                | Fitting - Inlet        | Brass                    | 436552-01   | 1            |  |  |  |  |
| 37                | Fitting Holder - Inlet | G. S                     | 436550-01   | 1            |  |  |  |  |
| 38                | Tee                    | EPDM                     | 439197-01   | 1            |  |  |  |  |
| 39                | Flange                 | EPDM                     | 439267-01   | 1            |  |  |  |  |
| 40                | Joint Pipe             | ABS                      | 439329-01   | 1            |  |  |  |  |
| 41                | Bypass Hose            | EPDM                     | 439265-01   | 1            |  |  |  |  |
| 42                | Corner Insulation (A)  | PE Foam                  | 439376-01   | 1            |  |  |  |  |
| 43                | Corner Insulation (B)  | PE Foam                  | 439392-01   | 1            |  |  |  |  |
| 44                | Male Adaptor           | ABS                      | 325826-01   | 2            |  |  |  |  |
| 45                | "O" Ring               | 1AP20                    | 7611-P020   | 1            |  |  |  |  |
| 46                | Ball Valve             | PVC                      | 439293-01   | 1            |  |  |  |  |
| 47                | Valve Holder           | G. S                     | 325825-01   | 1            |  |  |  |  |
| 48                | Micro Switch           | AH-8064                  | 436386-01   | 1            |  |  |  |  |
| 49                | Tapping Screw          | 3x14                     | 431415-02   | 2            |  |  |  |  |
| 50                | Handle                 | JH1352                   | 215383-01   | 1            |  |  |  |  |

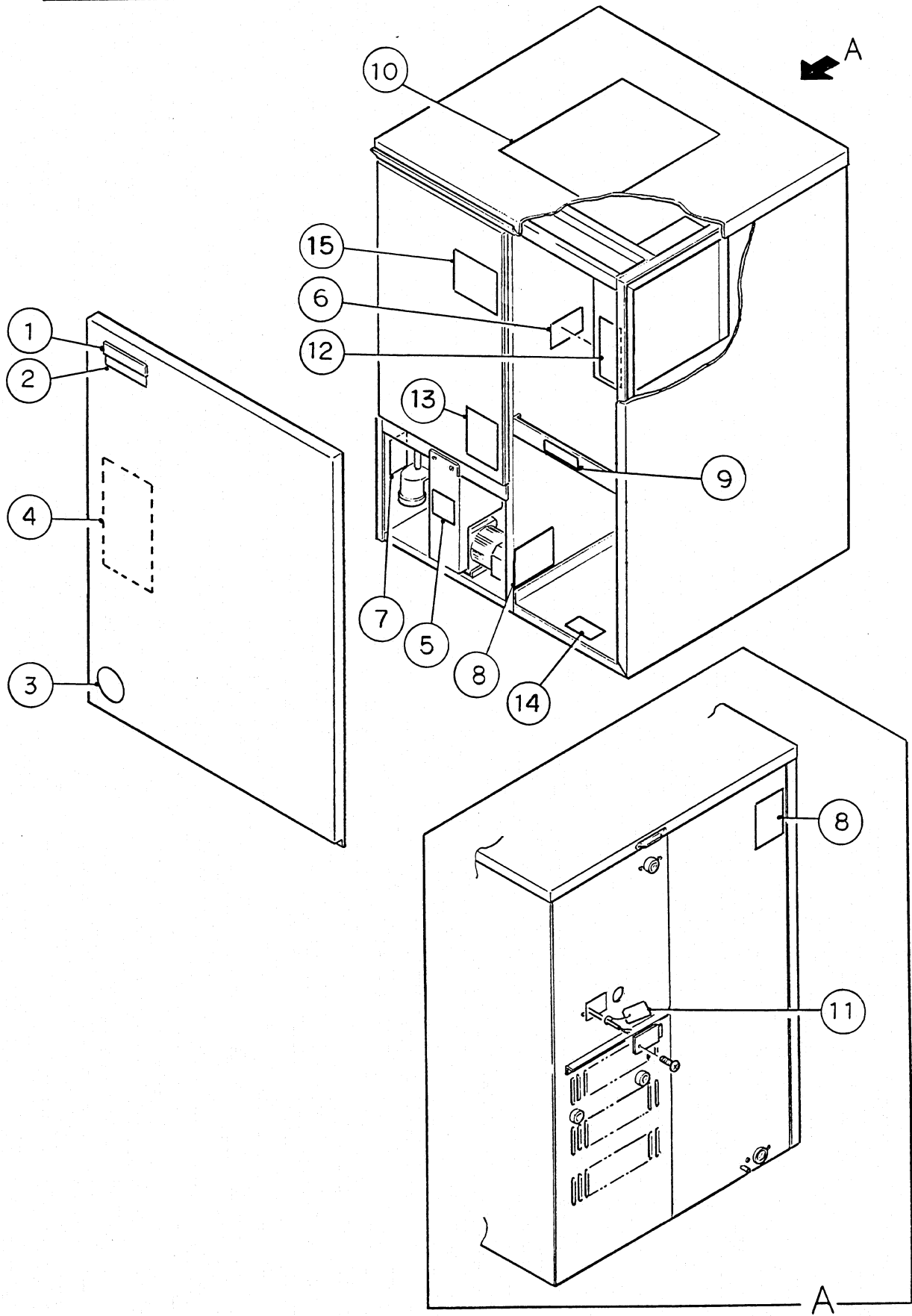
E



HA

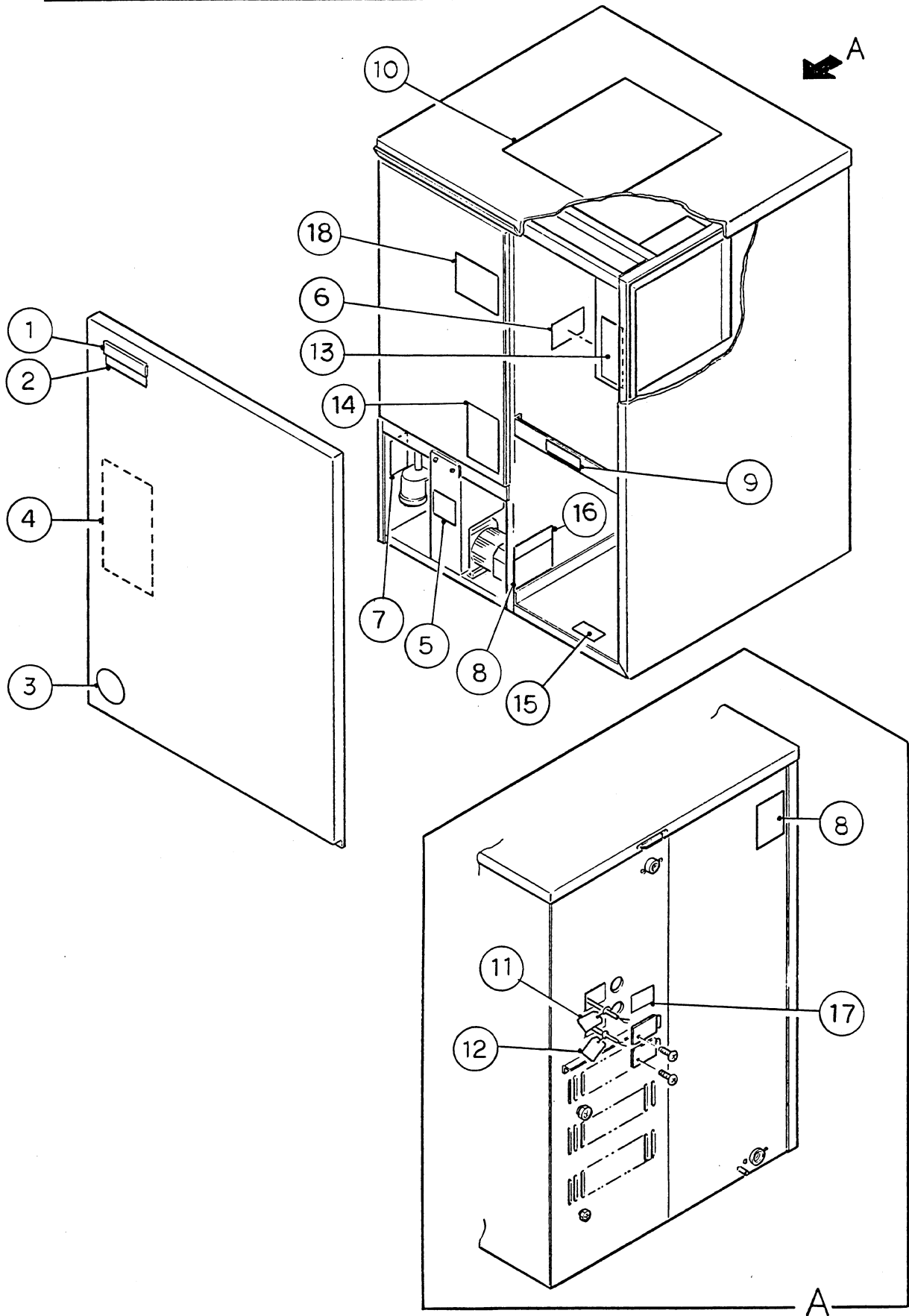
| MODEL             |                       | TITLE                    |             |              |  |  |  |  |
|-------------------|-----------------------|--------------------------|-------------|--------------|--|--|--|--|
| KM-1600MWB3, MRB3 |                       | D. CONT. BOX ASSY        |             |              |  |  |  |  |
| INDEX NO.         | DESCRIPTION           | MATERIAL OR MODEL NUMBER | PART NUMBER | REQ'D NUMBER |  |  |  |  |
|                   |                       |                          |             | A-1          |  |  |  |  |
| 1                 | Cont. Box             | G. S                     | 212608G03   | 1            |  |  |  |  |
| 2                 | Magnetic Contactor    | C-25E                    | 438215-01   | 1            |  |  |  |  |
| 3                 | Capacitor             | 240V, 10 $\mu$ F         | 431928-03   | 1            |  |  |  |  |
| 4                 | Transformer           | BW48-005                 | 3U0135-01   | 1            |  |  |  |  |
| 5                 | Clamp                 | No. 248                  | 427902-04   | 1            |  |  |  |  |
| 6                 | Controller Board      | MY9KM910                 | 2U0127-01   | 1            |  |  |  |  |
| 7                 | Board Support         | KGLS-6S                  | 414929-01   | 6            |  |  |  |  |
| 8                 | Control Label         | PES Film                 | 434934-01   | 1            |  |  |  |  |
| 9                 | Thermostat            | YTB-3U106                | 433536-01   | 1            |  |  |  |  |
| 10                | Toggle Switch         | ST210P(UL)               | 428638-01   | 1            |  |  |  |  |
| 11                | 3P Plug Housing       | 3191-03P                 | 412832-06   | 1            |  |  |  |  |
| 12                | 2P Plug Housing       | 3191-02P                 | 412832-07   | 1            |  |  |  |  |
| 13                | 3P Receptacle Housing | 3191-03R1                | 412831-06   | 1            |  |  |  |  |
| 14                | 2P Receptacle Housing | 3191-02R1                | 412831-07   | 1            |  |  |  |  |
| 15                | Bushing               | SB-1093-15               | 420470-03   | 1            |  |  |  |  |
| 16                | Bushing               | OCB-500                  | 428394-02   | 2            |  |  |  |  |
| 17                | Bushing               | SB-1093-13               | 420470-12   | 1            |  |  |  |  |

E



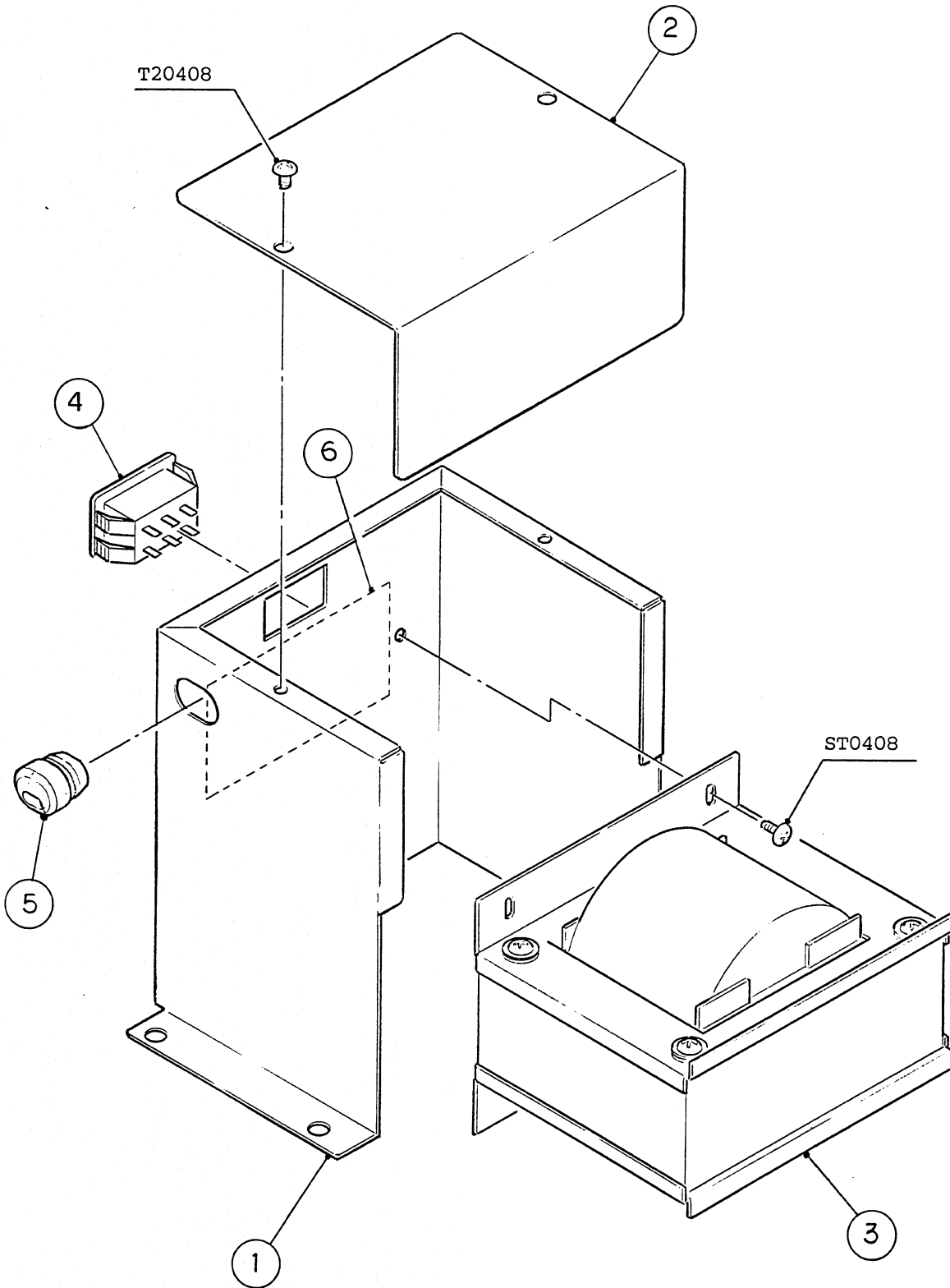
| MODEL       |   | TITLE                    |             |              |  |  |  |  |
|-------------|---|--------------------------|-------------|--------------|--|--|--|--|
| KM-1600WMB3 |   | E. LABEL LOCATION        |             |              |  |  |  |  |
| INDEX NO.   | DESCRIPTION                             | MATERIAL OR MODEL NUMBER | PART NUMBER | REQ'D NUMBER |  |  |  |  |
|             |   |                          |             | A-1          |  |  |  |  |
| 1           | Emblem (L) - HOSHIZAKI                  | ABS                      | 418634G01   | 1            |  |  |  |  |
| 2           | Model Number Label                      | PETP Film                | 436041-28   | 1            |  |  |  |  |
| 3           | Label - Penguin (R)                     | PVC Film                 | 410994-01   | 1            |  |  |  |  |
| 4           | Maintenance Label                       | PVC Film                 | 325975-01   | 1            |  |  |  |  |
| 5           | Caution Label (H)                       | PVC Film                 | 439148-01   | 1            |  |  |  |  |
| 6           | Wiring Label                            | PVC Film                 | 325873-01   | 1            |  |  |  |  |
| 7           | Manual Label - Float Switch             | PVC Film                 | 427043-01   | 1            |  |  |  |  |
| 8           | Nameplate                               | PES Film                 | 440291-01   | 2            |  |  |  |  |
| 9           | Caution Label                           | PVC Film                 | 436198-01   | 1            |  |  |  |  |
| 10          | Instruction Sheet                       | Paper                    | 215448-01   | 1            |  |  |  |  |
| 11          | Tag - Warning: Electrical<br>Connection | Paper                    | 438479-01   | 1            |  |  |  |  |
| 12          | Manual Label                            | PVC Film                 | 324476-01   | 1            |  |  |  |  |
| 13          | Manual Label - Bin Control              | PVC Film                 | 322846-01   | 1            |  |  |  |  |
| 14          | Label - R502                            | PES Film                 | 4A0026-01   | 1            |  |  |  |  |
| 15          | Operation Label - Valve                 | PVC Film                 | 439541-01   | 1            |  |  |  |  |

E





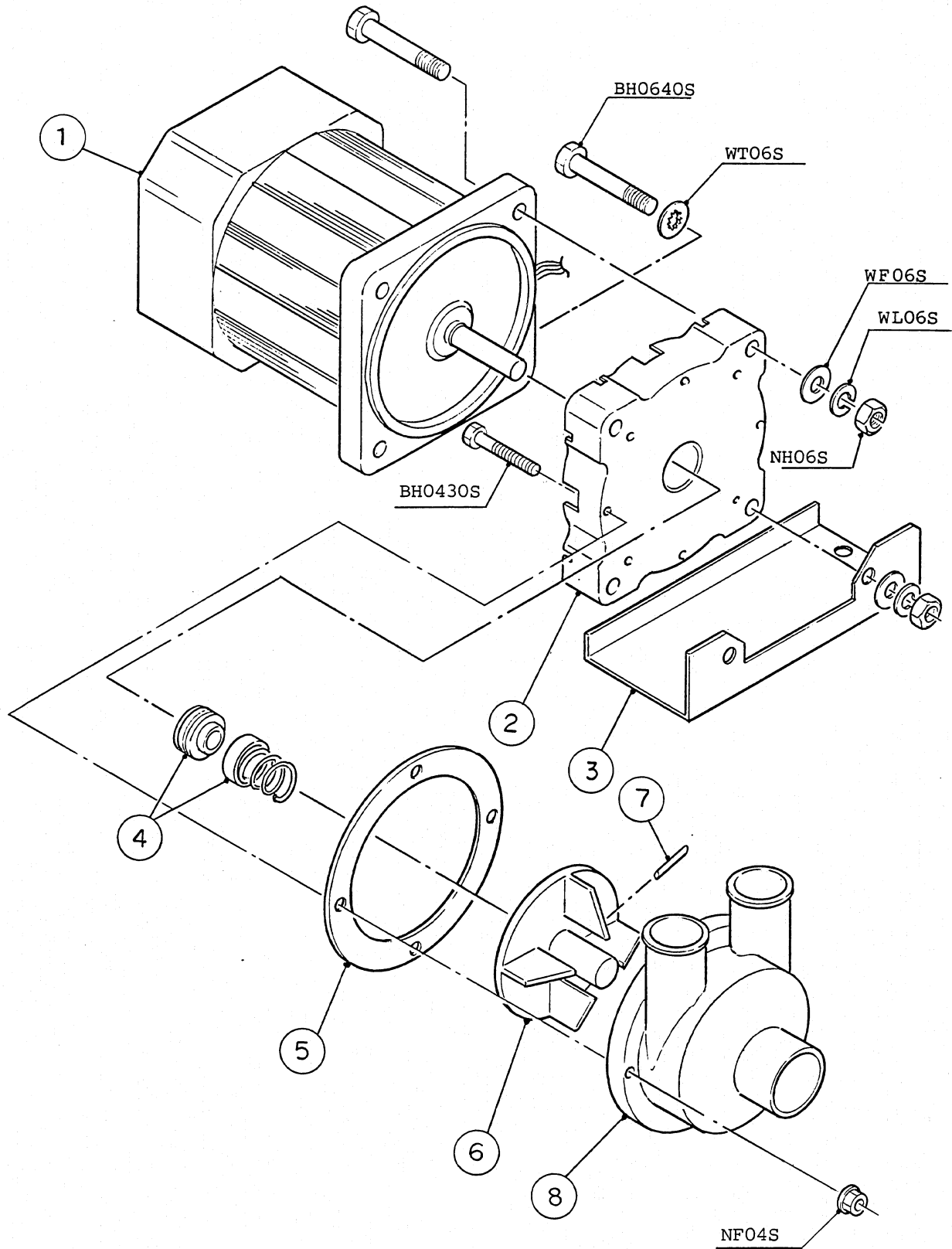




HA

| MODEL             |                           | TITLE                    |             |              |  |  |  |  |
|-------------------|---------------------------|--------------------------|-------------|--------------|--|--|--|--|
| KM-1600MWB3, MRB3 |                           | F. TRANSFORMER BOX ASSY  |             |              |  |  |  |  |
| INDEX NO.         | DESCRIPTION               | MATERIAL OR MODEL NUMBER | PART NUMBER | REQ'D NUMBER |  |  |  |  |
|                   |                           |                          |             | A-1          |  |  |  |  |
| 1                 | Transformer Box           | G.S                      | 326215-01   | 1            |  |  |  |  |
| 2                 | Transformer Box Cover     | G.S                      | 439630-01   | 1            |  |  |  |  |
| 3                 | Transformer               | 2U0083                   | 2U0083-01   | 1            |  |  |  |  |
| 4                 | Slide Switch              | SE1022-SD-PM-F-R-HK-A    | 439305-01   | 1            |  |  |  |  |
| 5                 | Bushing                   | SR-30-1                  | 420472-03   | 1            |  |  |  |  |
| 6                 | Manual Label - Tap Switch | -                        | 439423-01   | 1            |  |  |  |  |

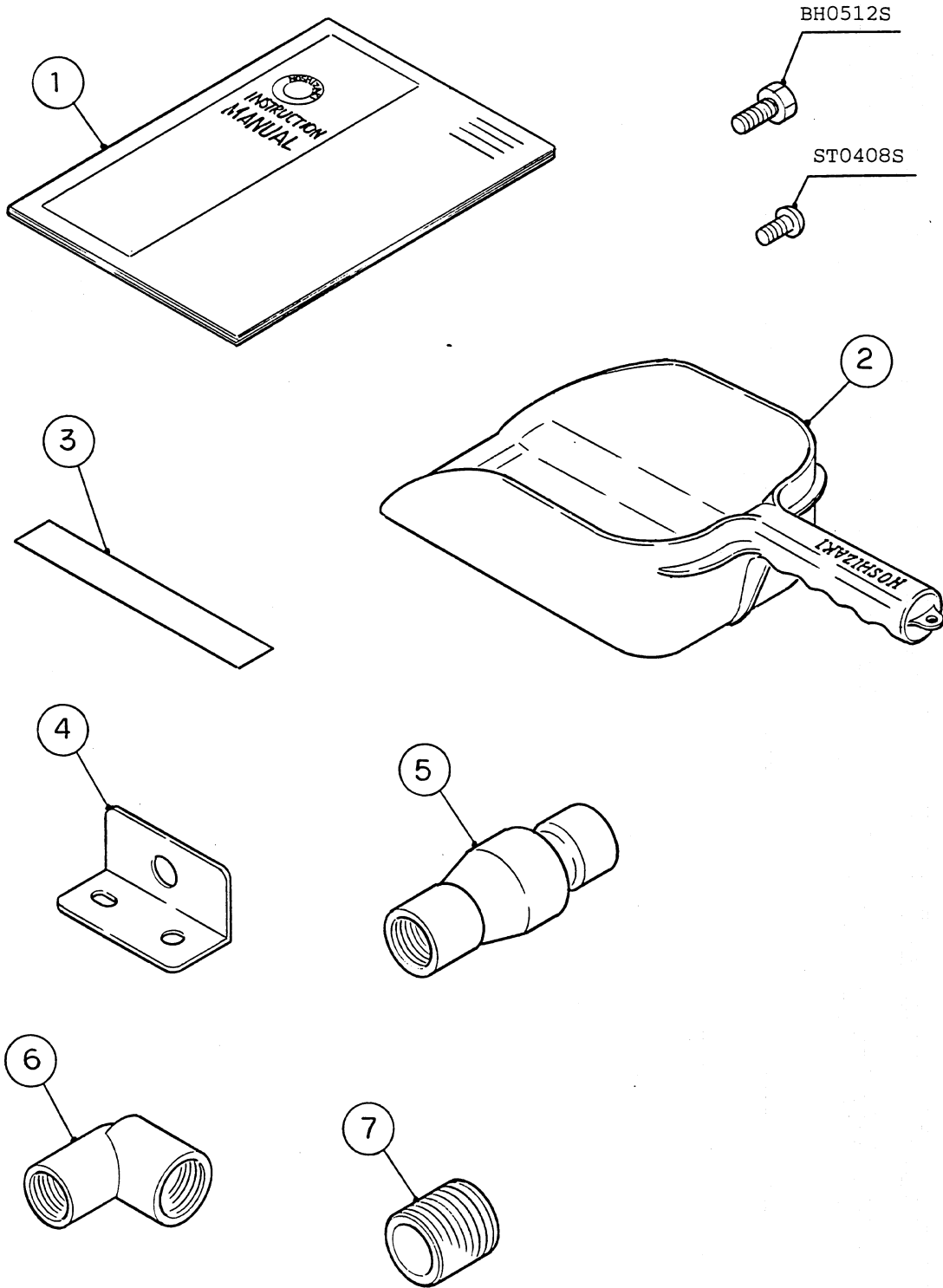
E



HA

| MODEL            |                    | TITLE                    |             |              |  |  |  |  |
|------------------|--------------------|--------------------------|-------------|--------------|--|--|--|--|
| KM-1600MWB3,MRB3 |                    | G. PUMP MOTOR ASSY       |             |              |  |  |  |  |
| INDEX NO.        | DESCRIPTION        | MATERIAL OR MODEL NUMBER | PART NUMBER | REQ'D NUMBER |  |  |  |  |
|                  |                    |                          |             | A-1          |  |  |  |  |
| 1                | Pump Motor         | M91A60SP201              | 2U0106-01   | 1            |  |  |  |  |
| 2                | Pump Flange        | PC                       | 215662-01   | 1            |  |  |  |  |
| 3                | Pump Motor Bracket | S. S                     | 435057-01   | 1            |  |  |  |  |
| 4                | Mechanical Seal    | H5-PN, 8mm               | 428545-01   | 1            |  |  |  |  |
| 5                | Packing            | EPDM                     | 428547-01   | 1            |  |  |  |  |
| 6                | Impeller           | ABS                      | 428548-01   | 1            |  |  |  |  |
| 7                | Pin                | S. S                     | 414102-01   | 1            |  |  |  |  |
| 8                | Pump Housing       | ABS                      | 212636-01   | 1            |  |  |  |  |

E



HA

| MODEL             |                    | TITLE                    |             |              |  |  |  |  |
|-------------------|--------------------|--------------------------|-------------|--------------|--|--|--|--|
| KM-1600MWB3, MRB3 |                    | G. ACCESSORIES           |             |              |  |  |  |  |
| INDEX NO.         | DESCRIPTION        | MATERIAL OR MODEL NUMBER | PART NUMBER | REQ'D NUMBER |  |  |  |  |
|                   |                    |                          |             | A-1          |  |  |  |  |
| 1                 | Instruction Manual | Paper                    | 91U1QE10A   | 1            |  |  |  |  |
| 2                 | Scoop              | PS                       | 437625-01   | 1            |  |  |  |  |
| 3                 | Label - Fastener   | Paper                    | 427122-01   | 1            |  |  |  |  |
| 4                 | Brace              | G. S                     | 433469-01   | 2            |  |  |  |  |
| 5                 | Check Valve        | -                        | 439660-01   | 1            |  |  |  |  |
| 6                 | Elbow              | -                        | 439661-01   | 1            |  |  |  |  |
| 7                 | Nipple             | -                        | 439662-01   | 1            |  |  |  |  |

E

# **MODULAR CRESCENT CUBER**

**MODEL**

**KM-1600MWB3**

**KM-1600MRB3**

## **PARTS LIST**

ISSUED: JUN. 11, 1991

REVISED: -----

PRINTED: DEC. 10, 1994

ITEM NO: 71062