

| | |
|----------|---------------|
| NO. | 71144 |
| ISSUED: | JUNE 11, 1997 |
| REVISED: | APRIL 3, 2002 |



**HOSHIZAKI
SELF-CONTAINED CRESCENT
CUBER**

MODELS

**KM-150BAF
KM-150BWF**

PARTS LIST

Auxiliary Codes

KM-150BAF

G-0 JUNE 1997
H-0 DEC. 1997
H-1 APRIL 1998
H-2 JULY 1998
J-0 DEC. 1998
K-0 DEC. 1999
L-0 DEC. 2000
L-1 SEPT. 2001
M-0 DEC. 2001

KM-150BWF

H-2 JULY 1998
H-3 NOV. 1998
J-0 JAN. 1999
K-0 MARCH 2000
L-1 MARCH 2001
L-0 JULY 2001
M-0 FEB. 2002

MATERIAL ABBREVIATIONS**ALUMINUM**

AL = Aluminum

COPPER

CU = Copper

PLASTIC

ABS = Acrylonitrile -butadiene - styrene
 AC = Polyacetal
 EVA = Ethylene vinyl acetate
 PA = Polyamide = Nylon
 PC = Polycarbonate
 PE = Polyethylene
 PES = Polyester
 PETP = Polyethylene terephthalate = Tetlon
 PP = Polypropylene
 PS = Polystyrene
 PTFE = Polytetrafluoroethylene = Teflon
 PUR = Polyurethane
 PVC = Polyvinyl chloride

RUBBER

VN = Vinyl Nitrile
 EPDM = EP rubber
 NBR = Nitrile butadiene rubber
 NR = Natural rubber
 NP = Neoprene
 SI.R = Silicone rubber
 SY.R = Synthetic rubber
 EPH = Epichlorohydrin

STEEL

G.S = Galvanized steel
 S.S = Stainless steel
 PS = Plated steel
 PAS = Primed steel

AUXILIARY CODE

Ex.1

K-0

└─── "K" is the tenth in alphabetical order with "I" skipped. So, "K" indicates "2000".

(Note) - = Part deleted.

x = Part deleted and replaced by "o" part (interchangeable).

Ex.2

L-0

└─── "L" is the next in alphabetical order. So, "L" indicates "2001".

o = New part for "x" in the same auxiliary code.

Ex.3

L-1

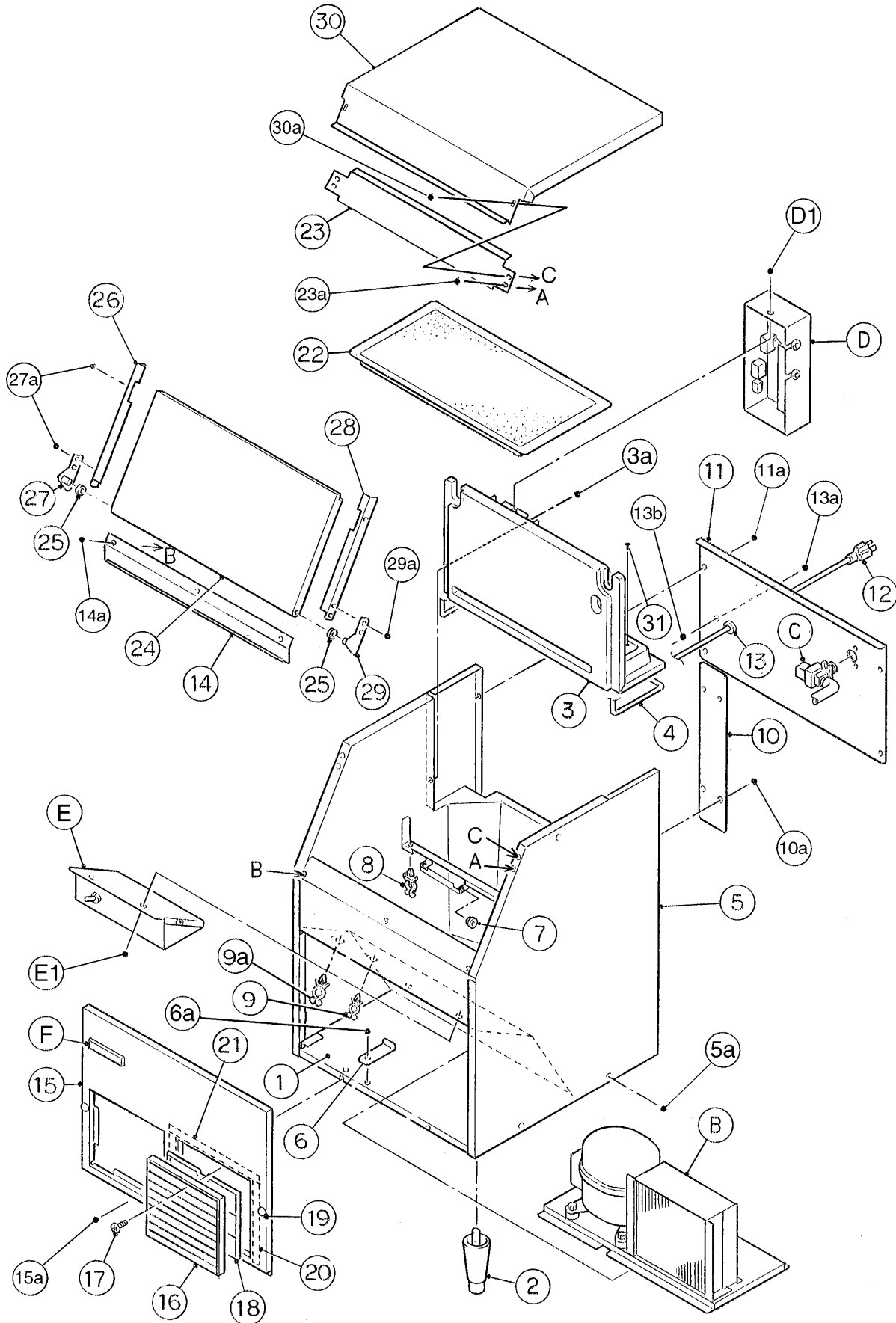
└─── Each time a part is changed non-interchangeably in a year, this number advances.

HA

KM-150BAF

A. ICE CUBER ASSEMBLY

L-1, M-0



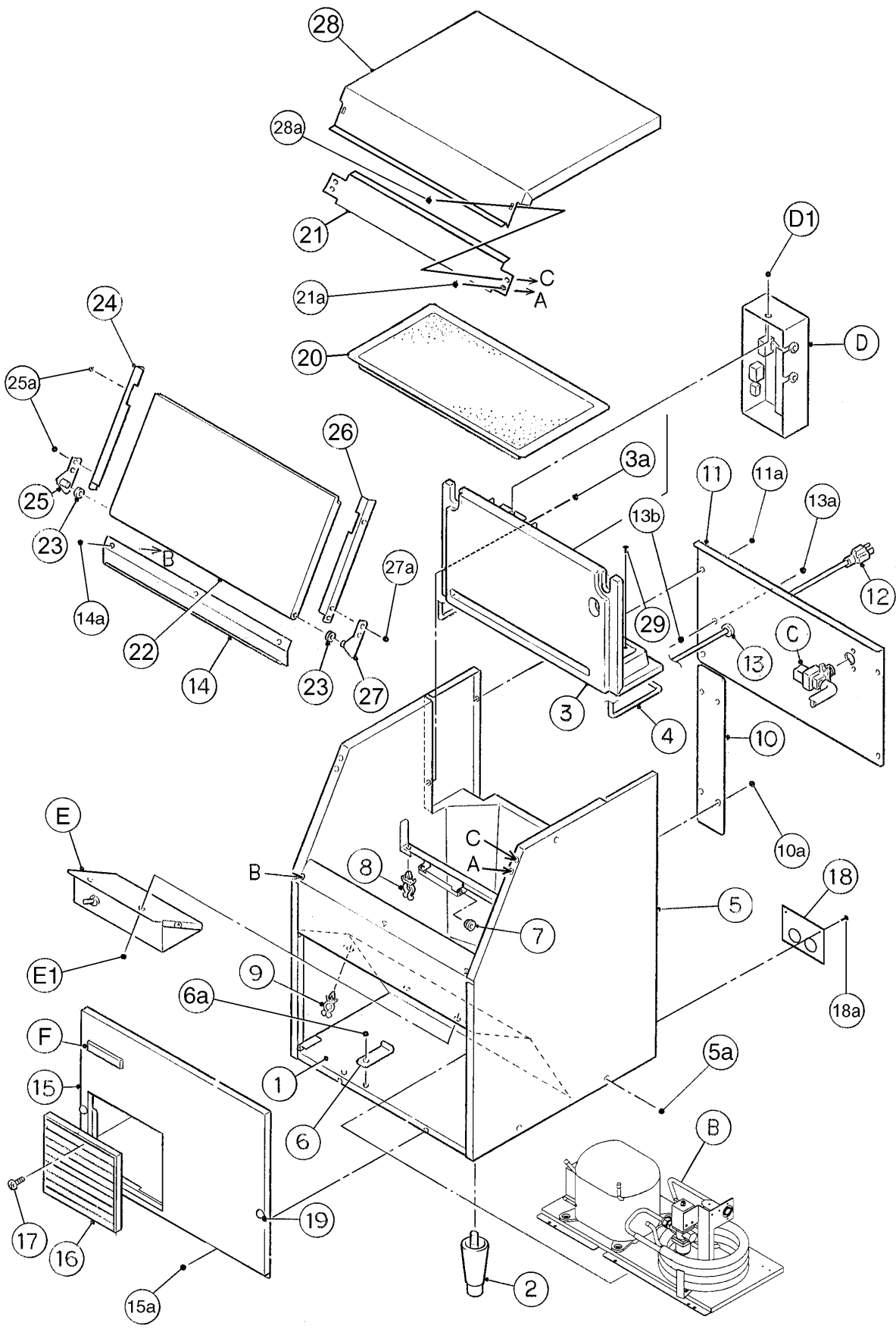
HA

| MODEL: KM-150BAF TITLE: A. ICE CUBER ASSEMBLY | | | | | | | | | | |
|-----------------------------------------------|-----------------------|--------------------------|-------------|-----------------|-----|-----|-----|-----|-----|------------|
| INDEX NO. | DESCRIPTION | MATERIAL OR MODEL NUMBER | PART NUMBER | REQUIRED NUMBER | | | | | | |
| | | | | G-0 H-0 | H-1 | H-2 | J-0 | K-0 | L-0 | L-1 M-0 |
| B | REFRIGERATION CIRCUIT | - | 108445A01 | 1 | 1 | 1 | 1 | 1 | 1 | - |
| | | - | 1A0591A01 | | | | | | | 1 |
| C | WATER CIRCUIT | - | 108446A01 | 1 | 1 | 1 | 1 | 1 | 1 | 1 |
| D | CONTROL BOX ASSY (A) | - | 338868A01 | 1 | - | | | | | |
| | | - | 338868A02 | | 1 | 1 | 1 | 1 | 1 | 1 |
| D1 | T2 SCREW | 4X8 | 7P31-0408 | 1 | 1 | 1 | 1 | 1 | 1 | 1 |
| E | CONTROL BOX ASSY (B) | - | 226318A01 | 1 | 1 | 1 | 1 | 1 | 1 | - |
| | | - | 226318A03 | | | | | | | 1 |
| E1 | T2 SCREW | 4X8 | 7P31-0408 | 2 | 2 | 2 | 2 | 2 | 2 | 2 |
| F | LABEL LOCATION | - | 3A0809A01 | 1 | - | | | | | |
| | | - | 3A0809A02 | | 1 | 1 | 1 | 1 | 1 | - |
| | | - | 3A0809A03 | | | | | | | 1 |
| 1 | BASE | - | 108448G01 | 1 | 1 | 1 | 1 | 1 | 1 | - |
| | | - | 108448G02 | | | | | | | 1 |
| 2 | LEG | - | 4A1181-01 | 4 | 4 | 4 | 4 | 4 | 4 | 4 |
| 3 | PANEL - REAR | - | 226469G01 | 1 | 1 | 1 | 1 | 1 | 1 | 1 |
| 3a | TRUSS HEAD SCREW | 4X25, SS | 7C32-0425 | 4 | 4 | 4 | 4 | 4 | 4 | 5 |
| 4 | GASKET | L=1260 | 4A0753L01 | 1 | 1 | 1 | 1 | 1 | 1 | 1 |
| 5 | BODY - INSULATION | - | 108444G01 | 1 | 1 | 1 | 1 | 1 | 1 | 1 |
| 5a | T2 SCREW | 4X8, SS | 7P32-0408 | 4 | 4 | 4 | 4 | 4 | 4 | 4 |
| 6 | STOPPER | GS | 452825-01 | 1 | 1 | 1 | 1 | 1 | 1 | 1 |
| 6a | T2 SCREW | 4X8,SS | 7P32-0408 | 1 | 1 | 1 | 1 | 1 | 1 | 1 |
| 7 | CAPILLARY RING | EP RUBBER | 425307-01 | 2 | 2 | 2 | 2 | 2 | 2 | 2 |
| 8 | CLAMP | WS50-25-C | 4A0337-07 | 2 | 2 | 2 | 2 | 2 | 2 | 2 |
| 9 | CLAMP | WS75-25-C | 4A0337-10 | 2 | 2 | 2 | 2 | 2 | 2 | 1 |
| 10 | REAR PANEL (B) | GS | 452641-01 | 1 | 1 | 1 | 1 | 1 | 1 | 1 |
| 10a | T2 SCREW | 4X8, SS | 7P32-0408 | 4 | 4 | 4 | 4 | 4 | 4 | x4 |
| | | 4X8, ZINC | 7P31-0408 | | | | | | | o4 |

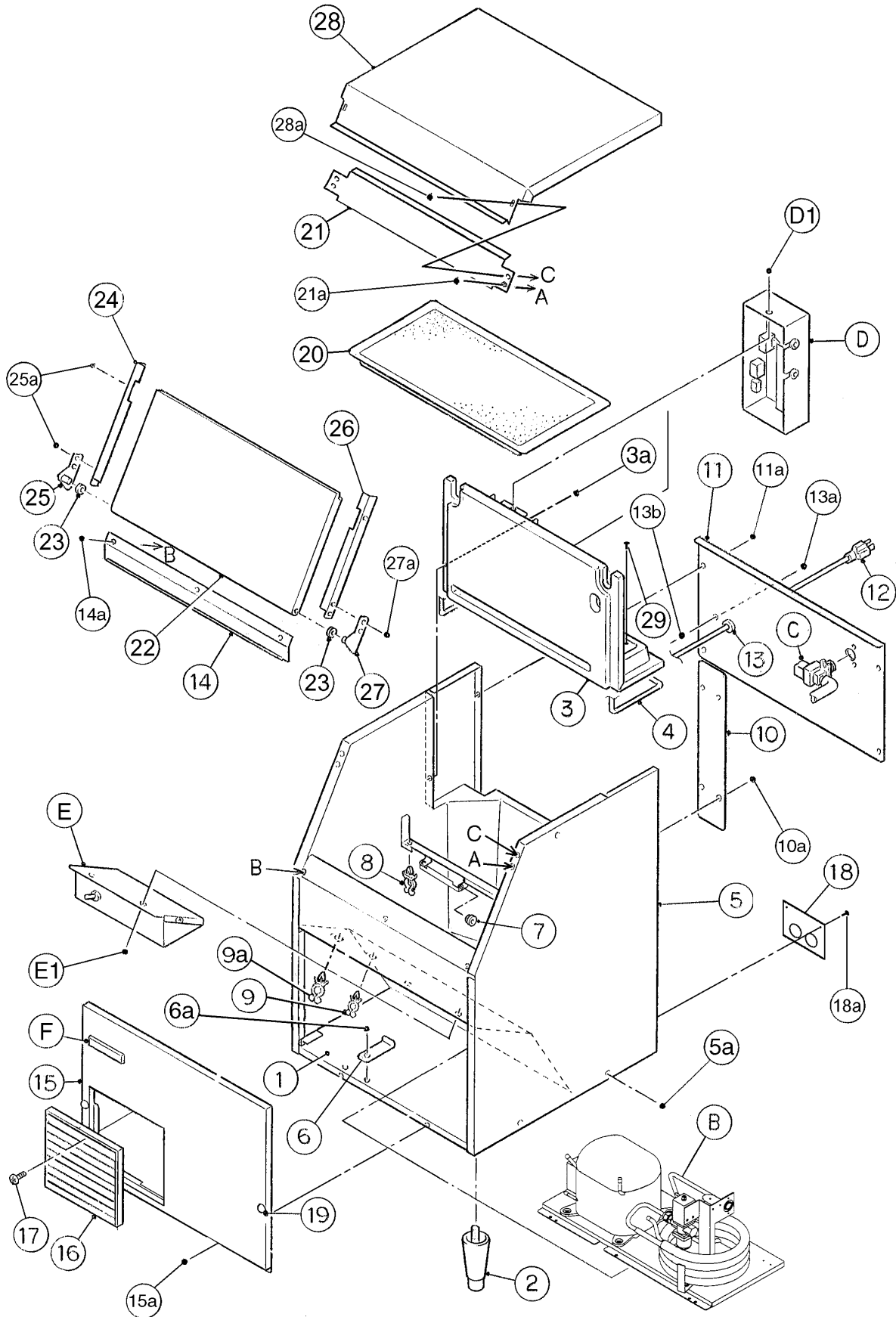
HA

| MODEL: KM-150BAF TITLE: A. ICE CUBER ASSEMBLY | | | | | | | | | | |
|-----------------------------------------------|-----------------------|--------------------------|-------------|-----------------|------------|-----|-----|-----|-----|------------|
| INDEX NO. | DESCRIPTION | MATERIAL OR MODEL NUMBER | PART NUMBER | REQUIRED NUMBER | | | | | | |
| | | | | G-0 | H-0 H-1 | H-2 | J-0 | K-0 | L-0 | L-1 M-0 |
| 11 | REAR PANEL (A) | GS | 226306-01 | 1 | 1 | 1 | 1 | 1 | 1 | 1 |
| 11a | T2 SCREW | 4X8, SS | 7P32-0408 | 6 | 6 | 6 | 6 | 6 | 6 | x6 |
| | | 4X8, ZINC | 7P31-0408 | | | | | | | o6 |
| 12 | POWER SUPPLY CORD | AEC-30 | 440894-01 | 1 | 1 | 1 | x1 | | | |
| | | - | 4A1773-01 | | | | o1 | 1 | 1 | 1 |
| 13 | BUSHING | SR-7K-2 | 420472-02 | 1 | 1 | 1 | 1 | 1 | 1 | 1 |
| 13a | TRUSS HEAD SCREW | 4X8, SS | 7C32-0408 | 1 | 1 | 1 | 1 | 1 | 1 | 1 |
| 13b | HEX NUT | 4, SS | 7N12-0400 | 1 | 1 | 1 | 1 | 1 | 1 | 1 |
| 14 | FRONT COVER (B) | SS | 338861-01 | 1 | x1 | | | | | |
| | | SS | 338861-02 | | o1 | 1 | 1 | 1 | 1 | x1 |
| | | SS | 338861-01 | | | | | | | o1 |
| 14a | T2 SCREW | 4X8, SS | 7P32-0408 | 3 | 3 | 3 | 3 | 3 | 3 | 3 |
| 15 | FRONT PANEL | GS | 226307-01 | 1 | 1 | 1 | 1 | 1 | 1 | 1 |
| 15a | TRUSS HEAD SCREW | 4x8, SS | 7C32-0408 | 3 | 3 | 3 | 3 | 3 | 3 | 3 |
| 16 | LOUVER | ABS | 103344-08 | 2 | 2 | 2 | 2 | 2 | 2 | 2 |
| 17 | TAPPING SCREW (BLACK) | STEEL | 433954-01 | 2 | 2 | 2 | 2 | 2 | 2 | 2 |
| 18 | AIR FILTER (A) | ABS | 208840G03 | 1 | 1 | 1 | 1 | 1 | 1 | 1 |
| 19 | CUSHION | SJ-5027 | 4A1178-01 | 2 | 2 | 2 | 2 | 2 | 2 | 2 |
| 20 | INSULATION (D) | PE FOAM | 452649-01 | 2 | 2 | 2 | 2 | 2 | 2 | 2 |
| 21 | INSULATION (A) | PE FOAM | 452694-01 | 1 | 1 | 1 | 1 | 1 | 1 | 1 |
| 22 | INSULATION - TOP | PS | 338859G01 | 1 | 1 | 1 | 1 | 1 | 1 | 1 |
| 23 | SUPPORT - TOP PANEL | SS | 453877-01 | 1 | 1 | 1 | 1 | 1 | 1 | 1 |
| 23a | FLAT HEAD SCREW | 4X12, SS | 7C22-0412 | 2 | 2 | 2 | 2 | 2 | 2 | 2 |
| 24 | DOOR | PE | 226305G01 | 1 | 1 | 1 | 1 | 1 | 1 | 1 |
| 25 | COLLAR | AC | 431496-01 | 2 | 2 | 2 | 2 | 2 | 2 | 2 |
| 26 | FRONT COVER (L) | SS | 339026-01 | 1 | x1 | | | | | |
| | | SS | 339026-02 | | o1 | 1 | 1 | 1 | 1 | x1 |
| | | SS | 339026-01 | | | | | | | o1 |

A. ICE CUBER ASSEMBLY

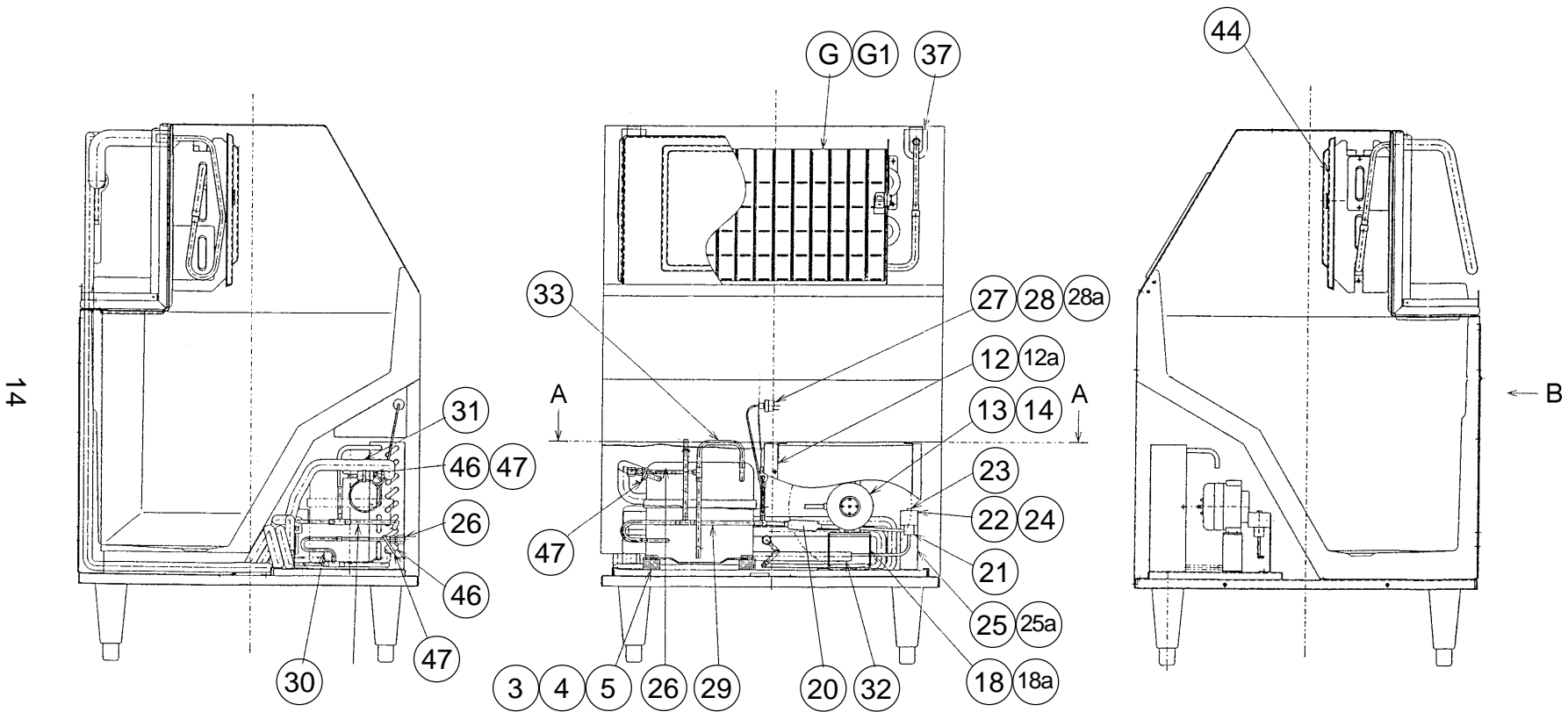


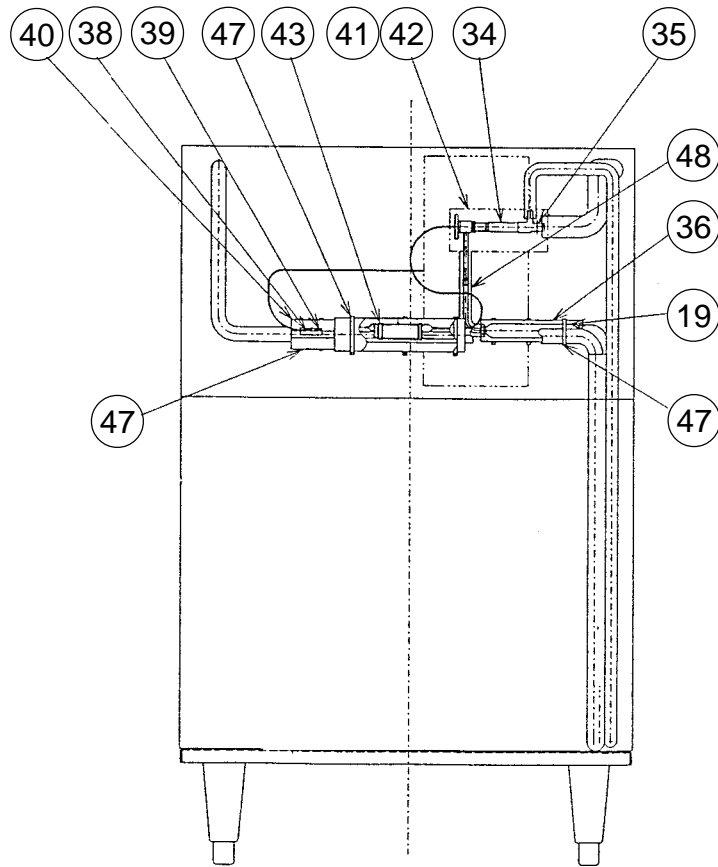
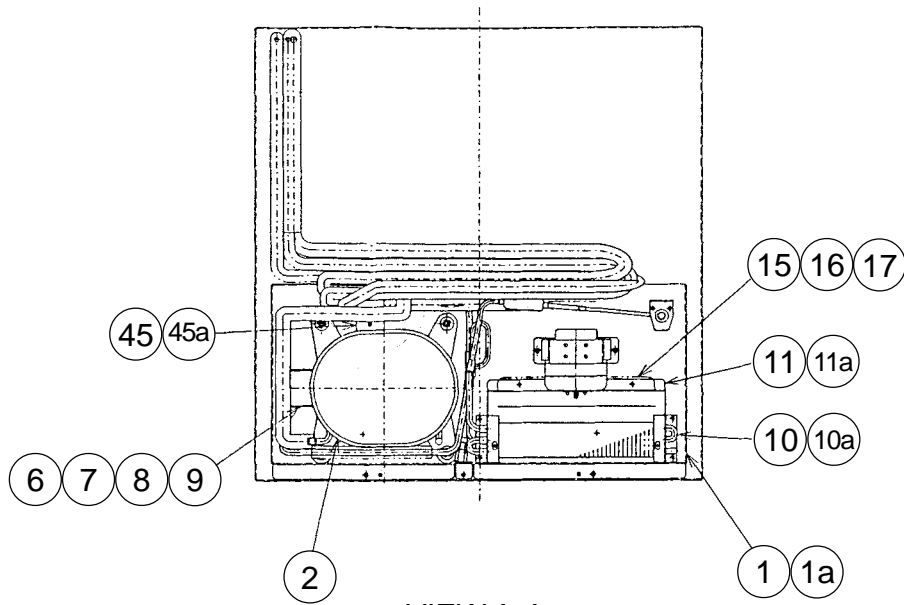
A. ICE CUBER ASSEMBLY

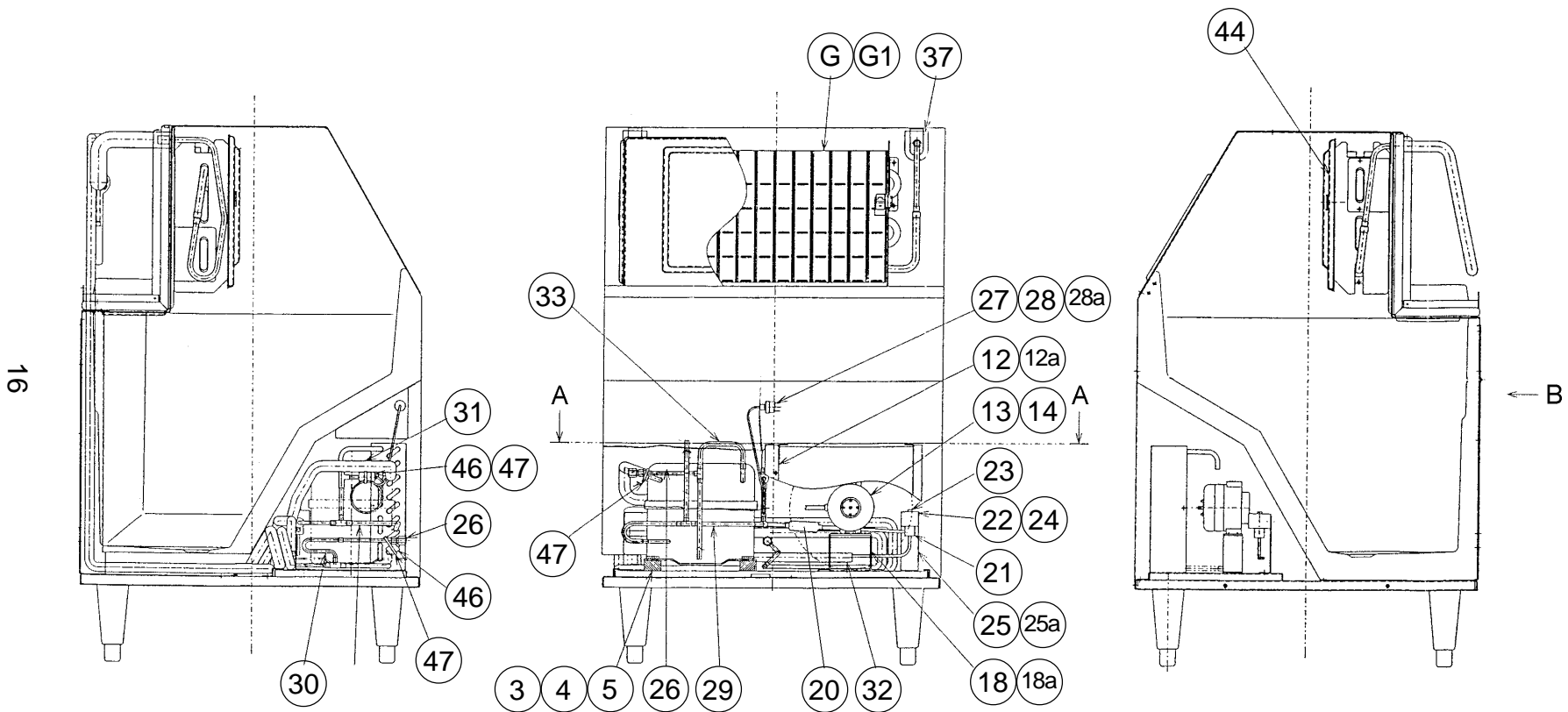


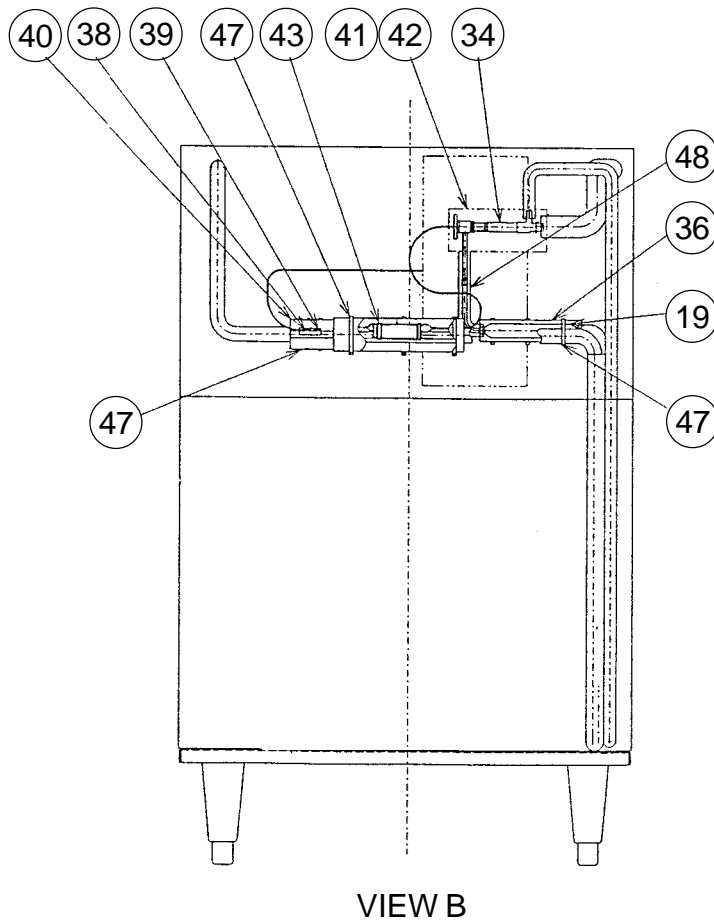
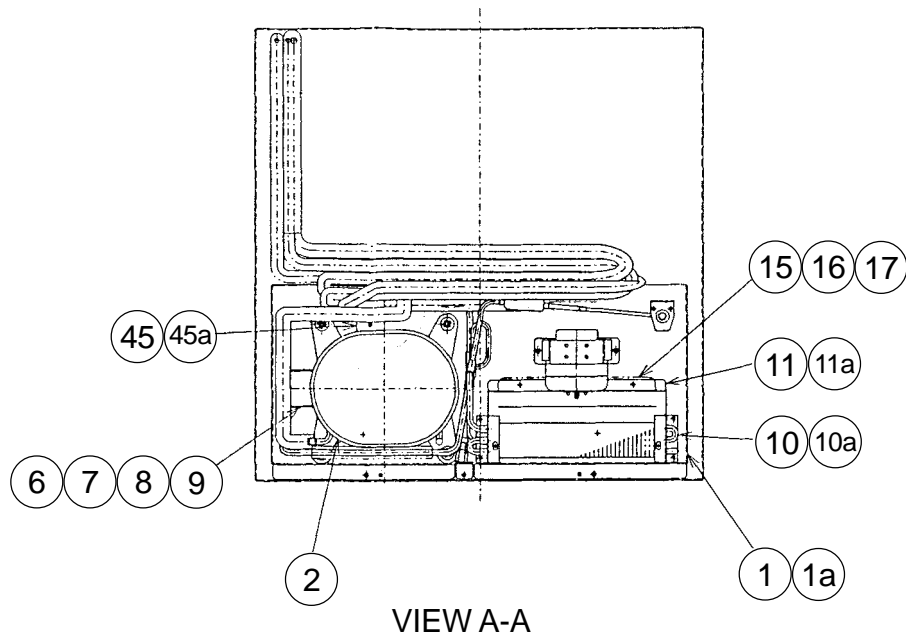
| MODEL: KM-150BWF TITLE: A. ICE CUBER ASSEMBLY | | | | | | | | | | |
|-----------------------------------------------|-----------------------|--------------------------|-------------|-----------------|-----|-----|-----|------------|-----|--|
| INDEX NO. | DESCRIPTION | MATERIAL OR MODEL NUMBER | PART NUMBER | REQUIRED NUMBER | | | | | | |
| | | | | H-2 | H-3 | J-0 | K-0 | L-0 L-1 | M-0 | |
| B | REFRIGERATION CIRCUIT | - | 108585A01 | 1 | 1 | 1 | 1 | - | | |
| | | - | 1A0592A01 | | | | | 1 | 1 | |
| C | WATER CIRCUIT | - | 108446A01 | 1 | 1 | 1 | 1 | 1 | 1 | |
| D | CONTROL BOX ASSY (A) | - | 338868A02 | 1 | 1 | 1 | 1 | 1 | 1 | |
| D1 | T2 SCREW | 4X8 | 7P31-0408 | 1 | 1 | 1 | 1 | 1 | 1 | |
| E | CONTROL BOX ASSY (B) | - | 226318A01 | 1 | 1 | 1 | 1 | - | | |
| | | - | 226318A03 | | | | | 1 | 1 | |
| E1 | T2 SCREW | 4X8 | 7P31-0408 | 2 | 2 | 2 | 2 | 2 | 2 | |
| F | LABEL LOCATION | - | 3A0902A02 | 1 | 1 | 1 | 1 | - | | |
| | | - | 3A0902A03 | | | | | 1 | 1 | |
| 1 | BASE | - | 108448G02 | 1 | 1 | 1 | 1 | 1 | 1 | |
| 2 | LEG | - | 4A1181-01 | 4 | 4 | 4 | 4 | 4 | 4 | |
| 3 | PANEL - REAR | - | 226469G01 | 1 | 1 | 1 | 1 | 1 | 1 | |
| 3a | TRUSS HEAD SCREW | 4X25, SS | 7C32-0425 | 5 | 5 | 5 | 5 | 5 | 5 | |
| 4 | GASKET | L=1260 | 4A0753L01 | 1 | 1 | 1 | 1 | 1 | 1 | |
| 5 | BODY - INSULATION | - | 1A0312G01 | 1 | 1 | 1 | 1 | 1 | 1 | |
| 5a | T2 SCREW | 4X8, SS | 7P32-0408 | 4 | 4 | 4 | 4 | 4 | 4 | |
| 6 | STOPPER | GS | 452825-01 | 1 | 1 | 1 | 1 | 1 | 1 | |
| 6a | T2 SCREW | 4X8, SS | 7P32-0408 | 1 | 1 | 1 | 1 | 1 | 1 | |
| 7 | CAPILLARY RING | EP RUBBER | 425307-01 | 2 | 2 | 2 | 2 | 2 | 2 | |
| 8 | CLAMP | WS50-25-C | 4A0337-07 | 2 | 2 | 2 | 2 | 2 | 2 | |
| 9 | CLAMP | WS75-25-C | 4A0337-10 | 2 | 2 | 2 | 2 | 1 | 1 | |
| 9a | CLAMP | - | 4A2338-01 | | | | | 1 | 1 | |
| 10 | REAR PANEL (B) | GS | 452641-01 | 1 | 1 | 1 | 1 | 1 | 1 | |
| 10a | T2 SCREW | 4X8 | 7P31-0408 | 4 | 4 | 4 | 4 | 4 | 4 | |
| 11 | REAR PANEL (A) | GS | 226306-01 | 1 | 1 | 1 | 1 | 1 | 1 | |
| 11a | T2 SCREW | 4X8 | 7P31-0408 | 6 | 6 | 6 | 6 | 6 | 6 | |
| 12 | POWER SUPPLY CORD | AEC-30 | 440894-01 | 1 | x1 | | | | | |
| | | - | 4A1773-01 | | o1 | 1 | 1 | 1 | 1 | |

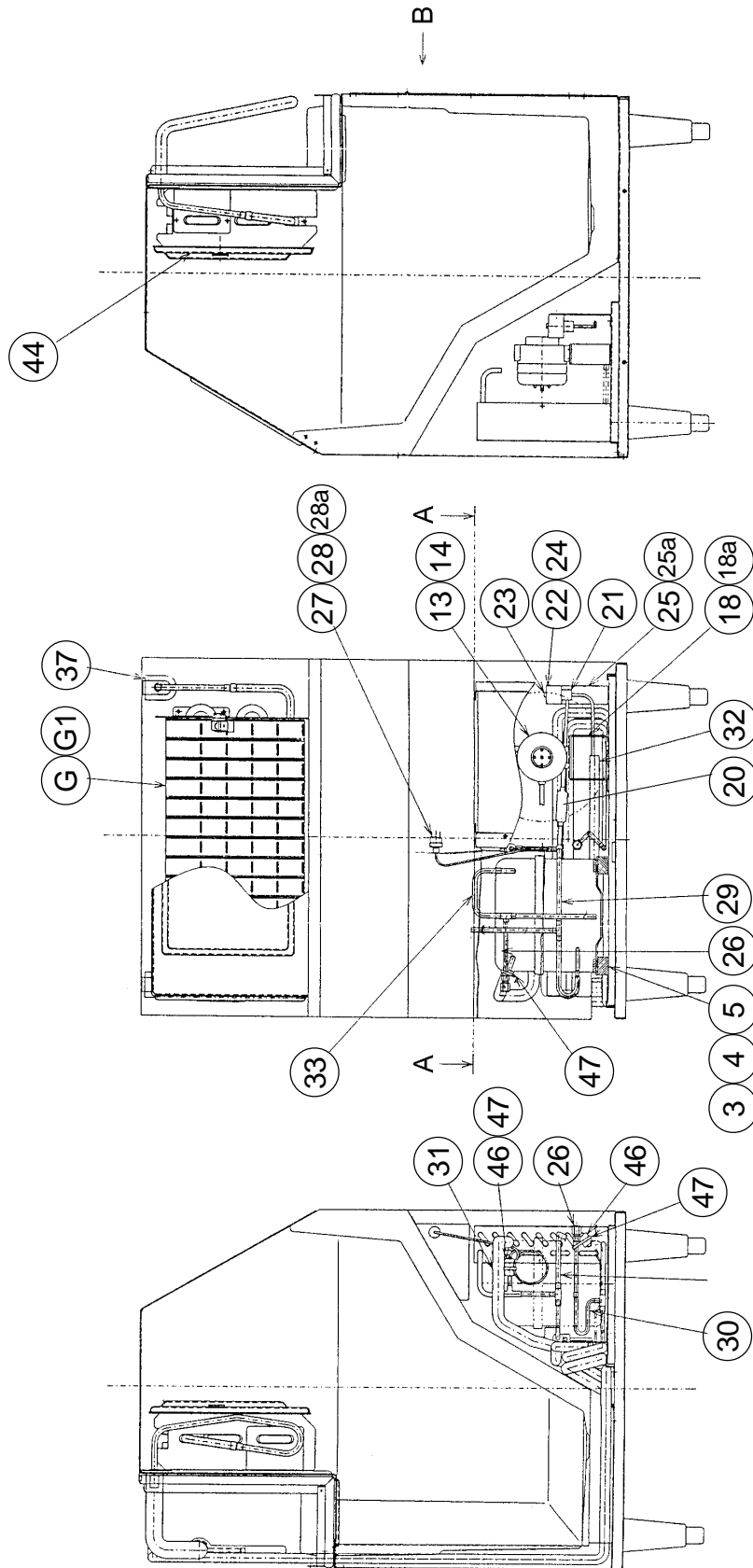
| MODEL: KM-150BWF TITLE: A. ICE CUBER ASSEMBLY | | | | | | | | | | |
|-----------------------------------------------|-----------------------|--------------------------|-------------|-----------------|-----|-----|-----|------------|-----|--|
| INDEX NO. | DESCRIPTION | MATERIAL OR MODEL NUMBER | PART NUMBER | REQUIRED NUMBER | | | | | | |
| | | | | H-2 | H-3 | J-0 | K-0 | L-0 L-1 | M-0 | |
| 13 | BUSHING | SR-7K-2 | 420472-02 | 1 | 1 | 1 | 1 | 1 | 1 | |
| 13a | TRUSS HEAD SCREW | 4X8, SS | 7C32-0408 | 1 | 1 | 1 | 1 | 1 | 1 | |
| 13b | HEX NUT | 4, SS | 7N12-0400 | 1 | 1 | 1 | 1 | 1 | 1 | |
| 14 | FRONT COVER (B) | SS | 338861-01 | 1 | 1 | 1 | 1 | 1 | 1 | |
| 14a | T2 SCREW | 4X8, SS | 7P32-0408 | 3 | 3 | 3 | 3 | 3 | 3 | |
| 15 | FRONT PANEL | GS | 226783-01 | 1 | 1 | 1 | 1 | 1 | 1 | |
| 15a | TRUSS HEAD SCREW | 4X8, SS | 7C32-0408 | 2 | 2 | 2 | 2 | 2 | 2 | |
| 16 | LOUVER | ABS | 103344-08 | 1 | 1 | 1 | 1 | 1 | 1 | |
| 17 | TAPPING SCREW (BLACK) | STEEL | 433954-01 | 1 | 1 | 1 | 1 | 1 | 1 | |
| 18 | REAR PANEL (C) | GS | 4A1667-01 | 1 | 1 | 1 | 1 | 1 | 1 | |
| 18a | T2 SCREW | 4X8, SS | 7P32-0408 | 2 | 2 | 2 | 2 | 2 | 2 | |
| 19 | CUSHION | SJ-5027 | 4A1178-01 | 2 | 2 | 2 | 2 | 2 | 2 | |
| 20 | INSULATION - TOP | PS | 338859G01 | 1 | 1 | 1 | 1 | 1 | 1 | |
| 21 | SUPPORT - TOP PANEL | SS | 453877-01 | 1 | 1 | 1 | 1 | 1 | 1 | |
| 21a | FLAT HEAD SCREW | 4X12, SS | 7C22-0412 | 2 | 2 | 2 | 2 | 2 | 2 | |
| 22 | DOOR | PE | 226305G01 | 1 | 1 | 1 | 1 | 1 | 1 | |
| 23 | COLLAR | AC | 431496-01 | 2 | 2 | 2 | 2 | 2 | 2 | |
| 24 | FRONT COVER (L) | SS | 339026-01 | 1 | 1 | 1 | 1 | 1 | 1 | |
| 25 | HINGE (L) | SS | 452824G01 | 1 | 1 | 1 | 1 | 1 | 1 | |
| 25a | TRUSS HEAD SCREW | 4X16, SS | 7C32-0416 | 3 | 3 | 3 | 3 | 3 | 3 | |
| 26 | FRONT COVER (R) | SS | 338860-01 | 1 | 1 | 1 | 1 | 1 | 1 | |
| 27 | HINGE (R) | SS | 452640G01 | 1 | 1 | 1 | 1 | 1 | 1 | |
| 27a | TRUSS HEAD SCREW | 4X16, SS | 7C32-0416 | 3 | 3 | 3 | 3 | 3 | 3 | |
| 28 | TOP PANEL | SS | 108449-01 | 1 | 1 | 1 | 1 | 1 | 1 | |
| 28a | TRUSS HEAD SCREW | 4X8, SS | 7C32-0408 | 2 | 2 | 2 | 2 | 2 | 2 | |
| 29 | T2 SCREW | 4X8, SS | 7P32-0408 | 1 | 1 | 1 | 1 | 1 | 1 | |
| | | | | | | | | | | |
| | | | | | | | | | | |
| | | | | | | | | | | |

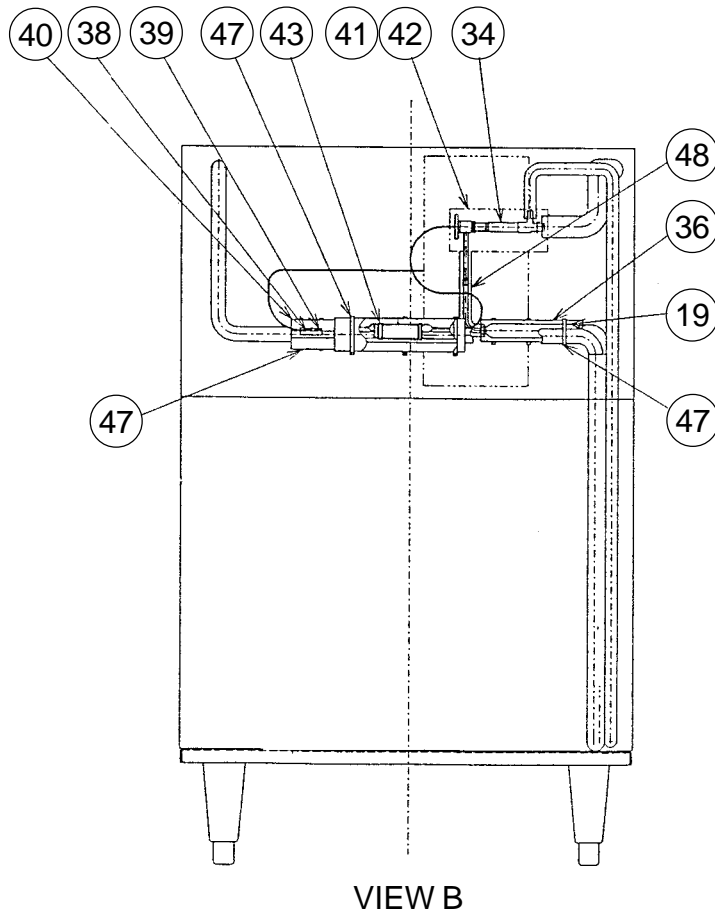
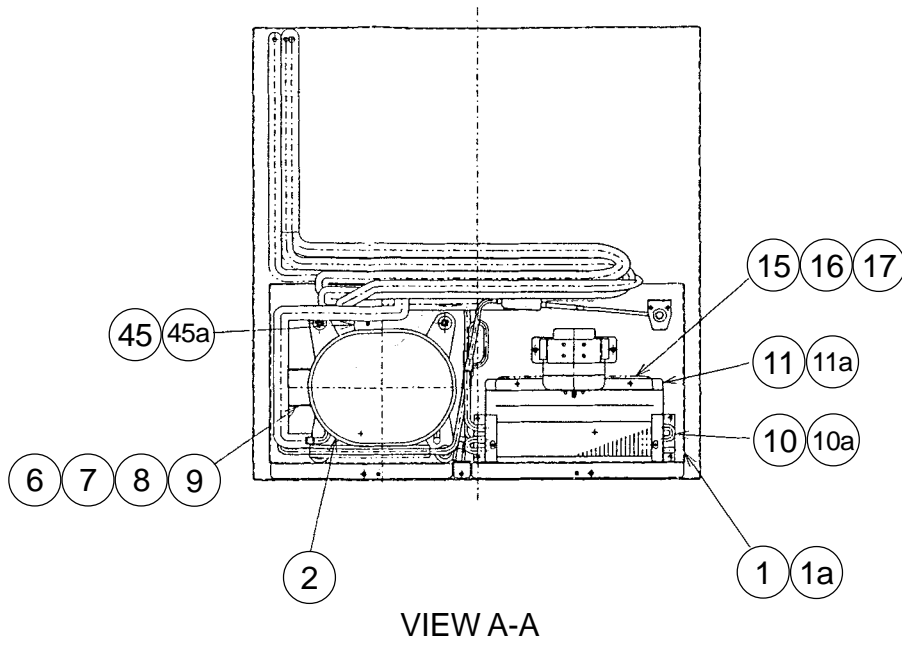


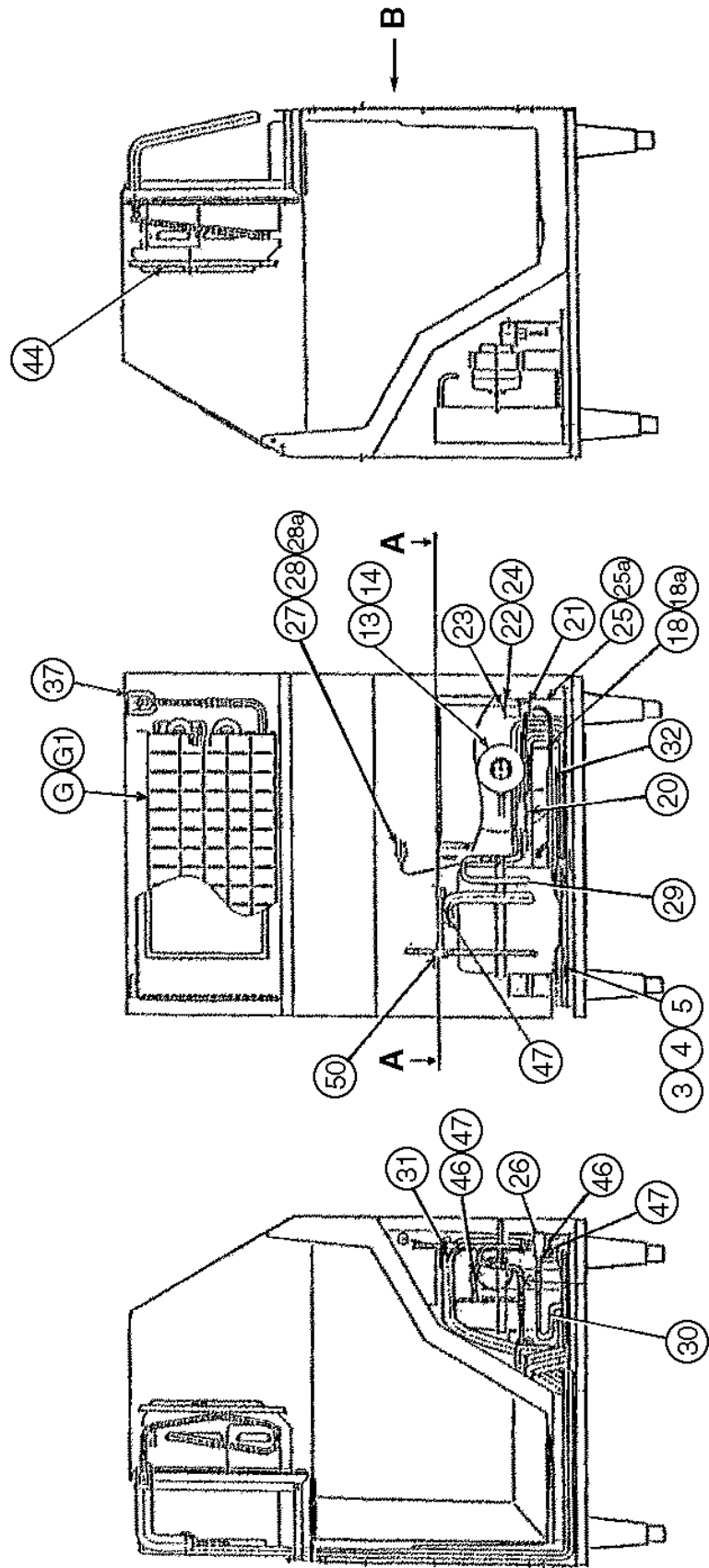


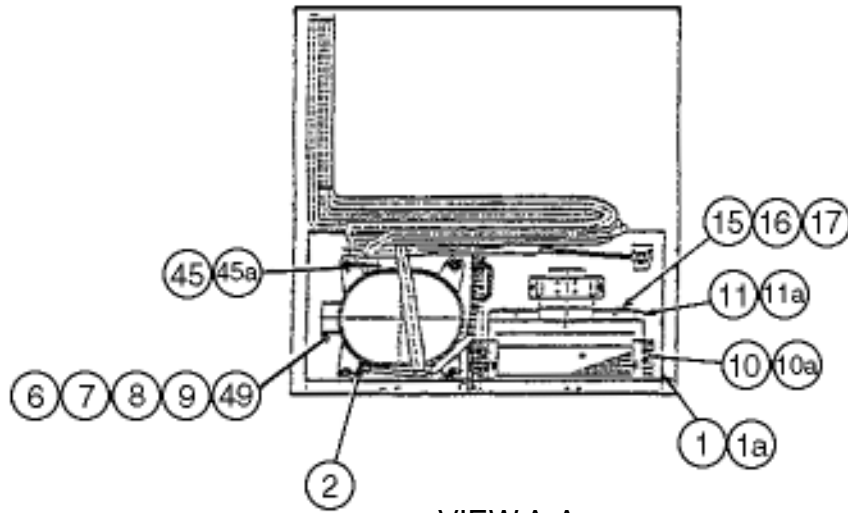




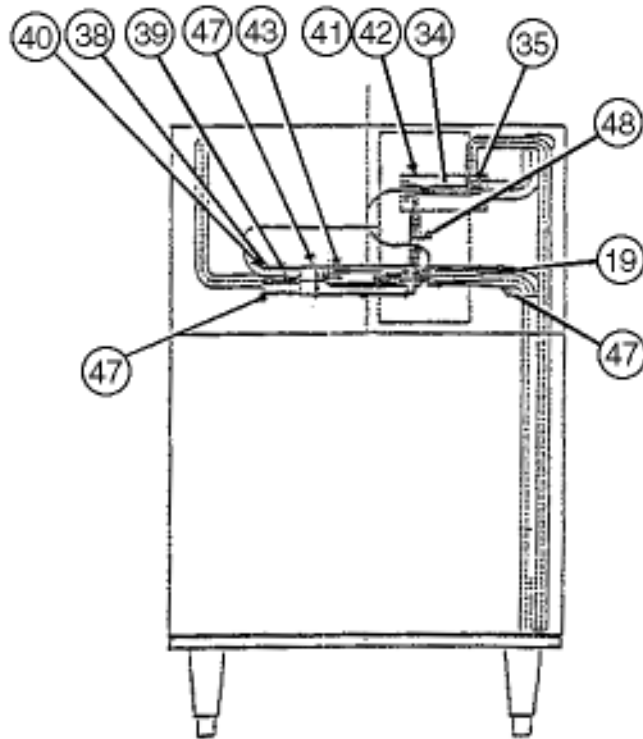








VIEW A-A



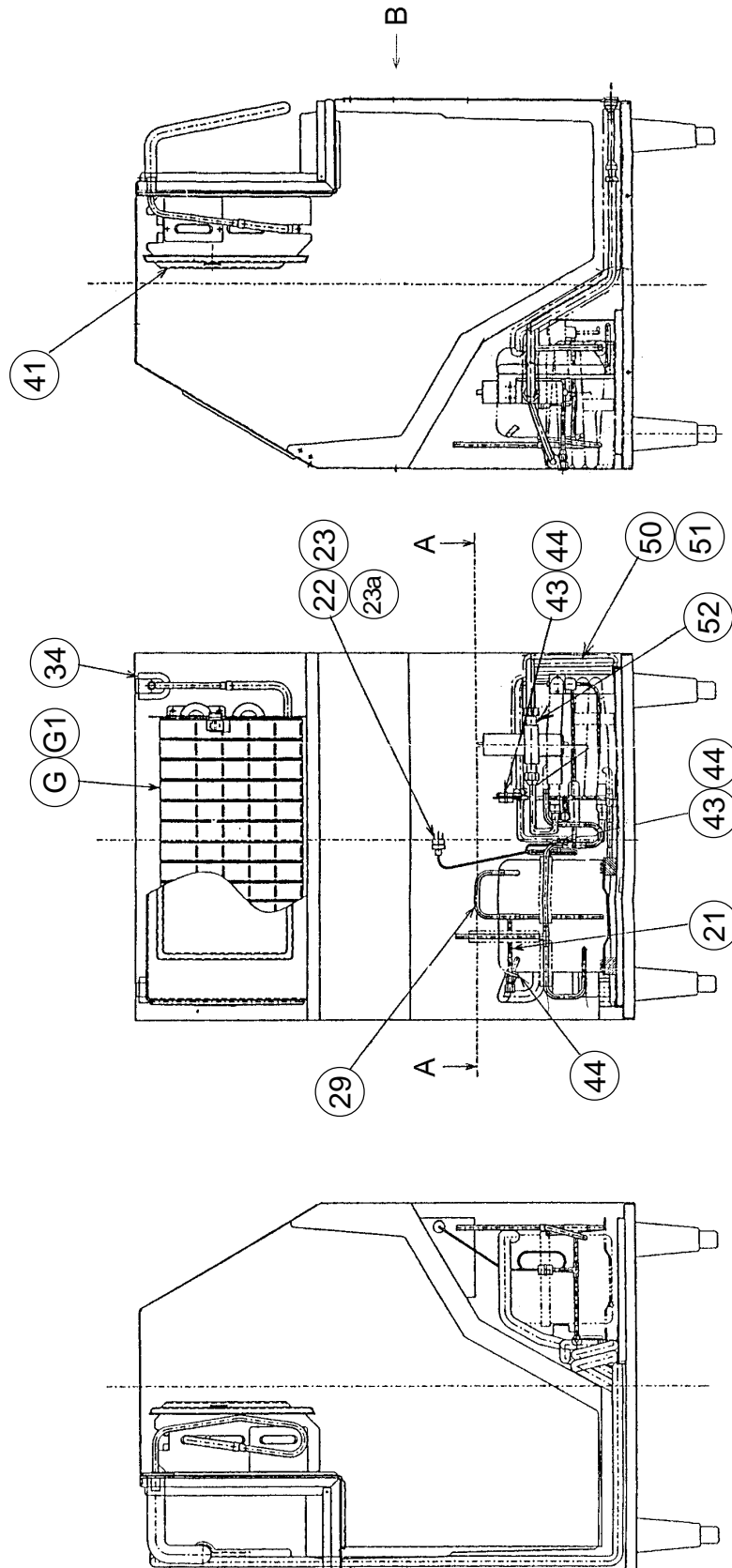
VIEW B

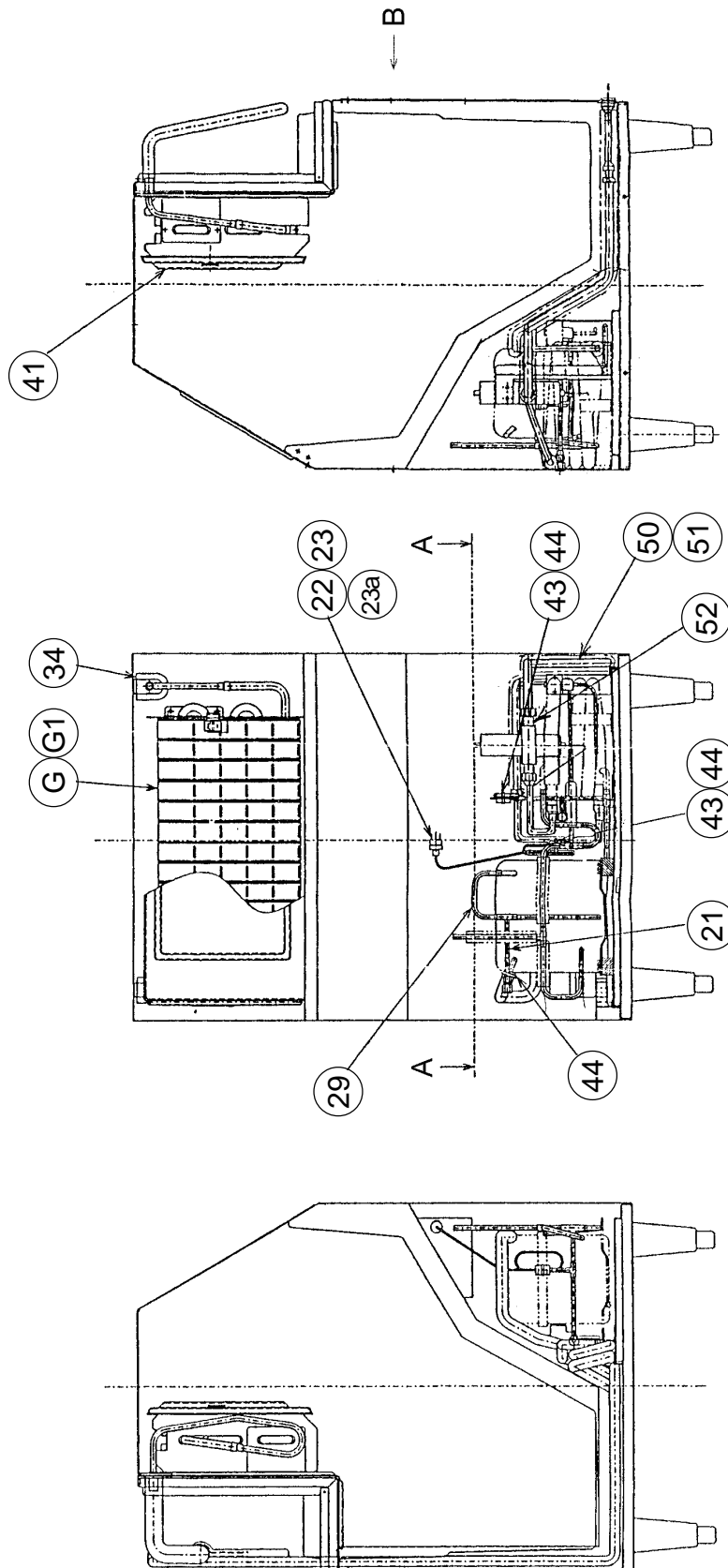
| MODEL: KM-150BAF TITLE: B. REFRIGERATION CIRCUIT | | | | | | | | | | |
|--------------------------------------------------|-----------------------------|--------------------------|-------------|-----------------|-----|-----|-----|-----|------------|------------|
| INDEX NO. | DESCRIPTION | MATERIAL OR MODEL NUMBER | PART NUMBER | REQUIRED NUMBER | | | | | | |
| | | | | G-0 | H-0 | H-1 | H-2 | J-0 | K-0 L-0 | L-1 M-0 |
| G | EVAPORATOR | - | 108456A01 | 1 | 1 | 1 | 1 | 1 | 1 | x1 |
| | | - | 108456A02 | | | | | | | o1 |
| G1 | TRUSS HEAD SCREW | 4X8, SS | 7C32-0408 | 4 | 4 | 4 | 4 | 4 | 4 | 4 |
| 1 | UNIT BASE | GS | 338863G01 | 1 | 1 | 1 | 1 | 1 | 1 | - |
| | | GS | 3A1901G01 | | | | | | | 1 |
| 1a | HEX HEAD BOLT W/WASHER (LF) | 5X12, SS | 7B0230512 | 2 | 2 | 2 | 2 | 2 | 2 | 2 |
| 2 | COMPRESSOR | JS25C1EIAA | 4A1177-01 | 1 | 1 | 1 | 1 | 1 | 1 | - |
| | | ASE24C3EIAA | 4A2272-01 | | | | | | | 1 |
| 3 | BOLT | 8 x 40 | 437889-02 | 4 | 4 | 4 | 4 | 4 | 4 | x4 |
| | | 8 x 30 | 437889-03 | | | | | | | o4 |
| 4 | GROMMET | 527-0039-04 | 434403-01 | 4 | 4 | 4 | 4 | 4 | 4 | 4 |
| 5 | SPACER | 527-0039-04 | 434404-01 | 4 | 4 | 4 | 4 | 4 | 4 | x4 |
| | | - | 4A2500-01 | | | | | | | o4 |
| 6 | PROTECTOR | MRA-7990-160 | 4A1246-01 | 1 | 1 | 1 | 1 | 1 | 1 | - |
| | | - | 4A2293-01 | | | | | | | 1 |
| 7 | PROTECTOR HOLDER | 032-0216-00 | 4A1248-01 | 1 | 1 | 1 | 1 | 1 | 1 | - |
| | PROTECTOR RETAINER | - | 4A2272F02 | | | | | | | 1 |
| 8 | STARTER | 3CR 206-181B | 4A1191-01 | 1 | 1 | 1 | 1 | 1 | 1 | - |
| | | - | 4A2294-01 | | | | | | | 1 |
| 9 | SCREW | #6-32x1/4 | 4A0898-03 | 3 | 3 | 3 | 3 | 3 | 3 | 3 |
| 10 | CONDENSER | - | 226311-01 | 1 | 1 | 1 | 1 | 1 | 1 | 1 |
| 10a | T2 SCREW | 4X8 | 7P31-0408 | 4 | 4 | 4 | 4 | 4 | 4 | 4 |
| 11 | SHROUD | GS | 338864-01 | 1 | 1 | 1 | 1 | 1 | 1 | 1 |
| 11a | T2 SCREW | 4X8 | 7P31-0408 | 6 | 6 | 6 | 6 | 6 | 6 | 6 |
| 12 | COVER - CONDENSER | GS | 452648-01 | 1 | 1 | 1 | - | | | |
| 12a | T2 SCREW | 4X8 | 7P31-0408 | 2 | 2 | 2 | - | | | |
| 13 | FAN MOTOR | SP-B25EM1 | 4A1179-01 | 1 | 1 | 1 | 1 | 1 | 1 | 1 |
| 14 | SCREW | - | 436863-01 | 4 | 4 | 4 | 4 | 4 | 4 | 4 |
| 15 | WASHER | - | 435983-01 | 1 | 1 | 1 | 1 | 1 | 1 | 1 |
| 16 | FAN BLADE | ALUM | 3A0436-01 | 1 | 1 | 1 | 1 | 1 | 1 | 1 |

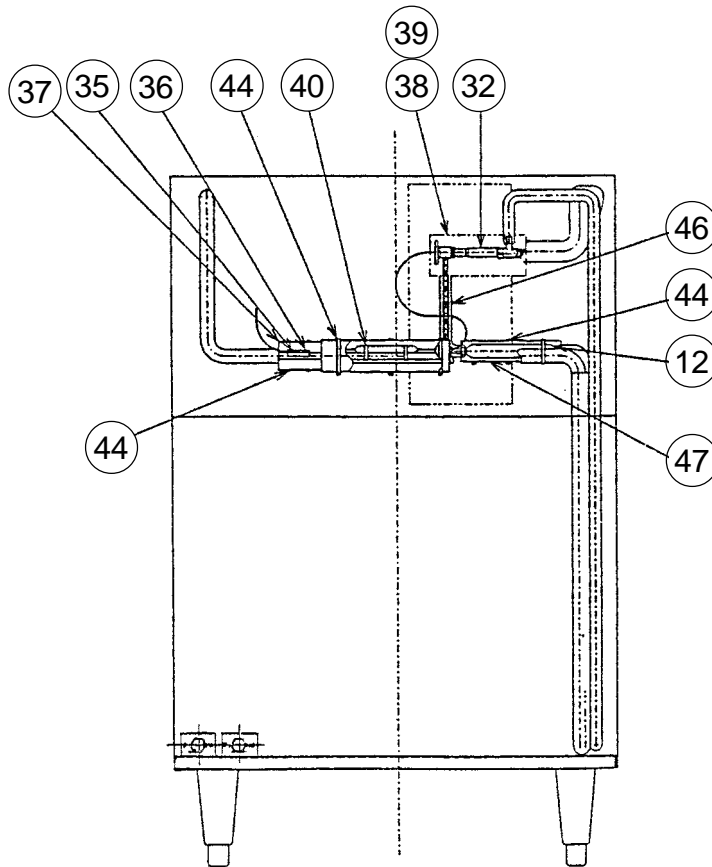
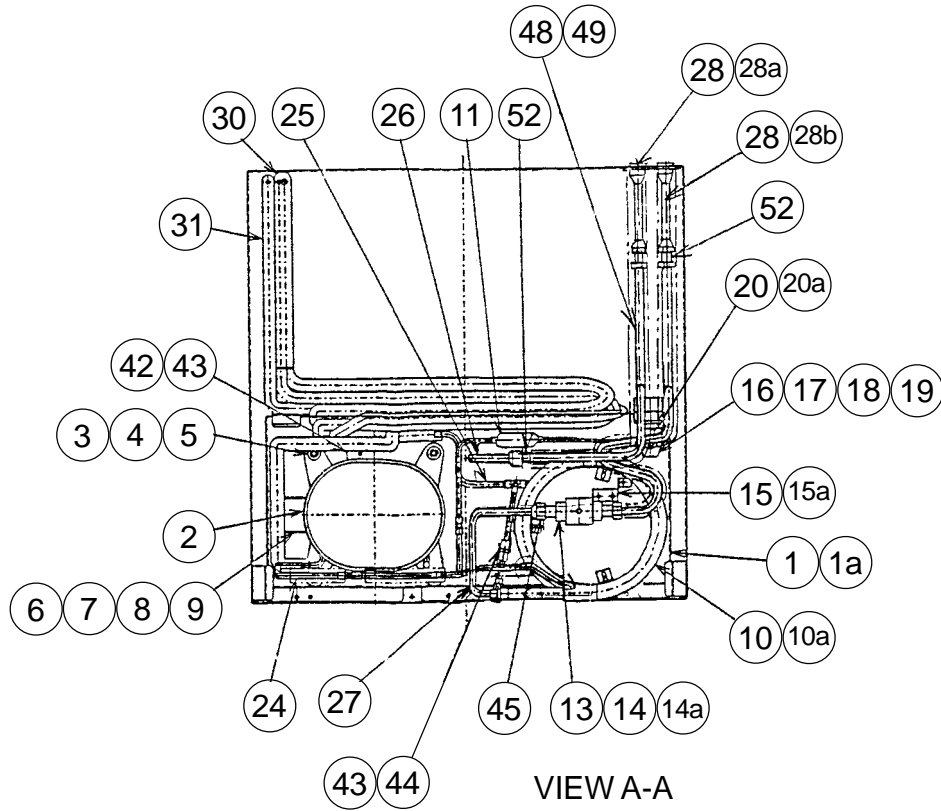
| MODEL: KM-150BAF TITLE: B. REFRIGERATION CIRCUIT | | | | | | | | | | |
|--------------------------------------------------|------------------------------|--------------------------|-------------|-----------------|-----|-----|-----|-----|------------|------------|
| INDEX NO. | DESCRIPTION | MATERIAL OR MODEL NUMBER | PART NUMBER | REQUIRED NUMBER | | | | | | |
| | | | | G-0 | H-0 | H-1 | H-2 | J-0 | K-0 L-0 | L-1 M-0 |
| 17 | NUT | - | 435982-01 | 1 | x1 | | | | | |
| | HEX NUT | PS | 4A1345-01 | | o1 | 1 | 1 | 1 | 1 | 1 |
| 18 | BRACKET - FM | GS | 452650-01 | 1 | 1 | 1 | 1 | 1 | 1 | 1 |
| 18a | HEX HEAD BOLT W/WASHER (LF) | 5 x 12, SS | 7B0230512 | 2 | 2 | 2 | 2 | 2 | 2 | 2 |
| 19 | DRIER | KC-7980 | 446574-01 | 1 | 1 | 1 | 1 | 1 | 1 | x1 |
| | | - | 458776-01 | | | | | | | o1 |
| 20 | STRAINER | - | 441569-01 | 1 | 1 | 1 | 1 | 1 | 1 | 1 |
| 21 | VALVE BODY | - | 3U0151-01 | 1 | 1 | 1 | 1 | 1 | 1 | 1 |
| 22 | COIL VALVE | - | 3U0151F01 | 1 | 1 | 1 | 1 | 1 | 1 | 1 |
| 23 | BOLT | - | 3U0151F02 | 1 | 1 | 1 | 1 | 1 | 1 | 1 |
| 24 | TRUSS HEAD SCREW | 4X6 | 7C31-0406 | 2 | 2 | 2 | 2 | 2 | 2 | 2 |
| 25 | BRACKET - HG | GS | 452652-01 | 1 | 1 | 1 | 1 | 1 | 1 | 1 |
| 25a | T2 SCREW | 4X8 | 7P31-0408 | 2 | 2 | 2 | 2 | 2 | 2 | 2 |
| 26 | ACCESS VALVE | FV180D001 | 446715-01 | 2 | 2 | 2 | 2 | 2 | x2 | |
| | | TCJ2F2QNFHDV-1 | 457729-01 | | | | | | o2 | 2 |
| 27 | PRESSURE SWITCH | ACB-1UB09 | 433441-07 | 1 | 1 | 1 | 1 | 1 | 1 | 1 |
| 28 | PRESSURE SWITCH BRCKT. | GS | 434938-01 | 1 | 1 | 1 | 1 | 1 | 1 | 1 |
| 28a | T2 SCREW | 4X8 | 7P31-0408 | 1 | 1 | 1 | 1 | 1 | 1 | 1 |
| 29 | COPPER TUBE - HIGH SIDE | COPPER | 339284G01 | 1 | 1 | 1 | 1 | 1 | 1 | - |
| | | COPPER | 3A1885G01 | | | | | | | 1 |
| 30 | COPPER TUBE - CONDENSER | COPPER | 339293G01 | 1 | 1 | 1 | 1 | 1 | 1 | 1 |
| 31 | HEAT EXCHANGER | - | 226687G01 | 1 | 1 | 1 | 1 | 1 | 1 | - |
| | | - | 2A1949G01 | | | | | | | 1 |
| 32 | COPPER TUBE (A) HOT GAS | COPPER | 226686G01 | 1 | 1 | 1 | 1 | 1 | 1 | - |
| | | COPPER | 2A1950G01 | | | | | | | 1 |
| 33 | COPPER TUBE (A) ACCESS VALVE | COPPER | 453059G01 | 1 | 1 | 1 | 1 | 1 | 1 | 1 |
| 34 | EXPANSION VALVE | - | 452870-01 | 1 | 1 | 1 | 1 | 1 | 1 | 1 |
| 35 | TEE | 111R-642 | 436000-08 | 1 | - | | | | | |
| 36 | INSULATION - DRIER | L=145 | 7762-2030 | 1 | 1 | 1 | 1 | 1 | 1 | 1 |

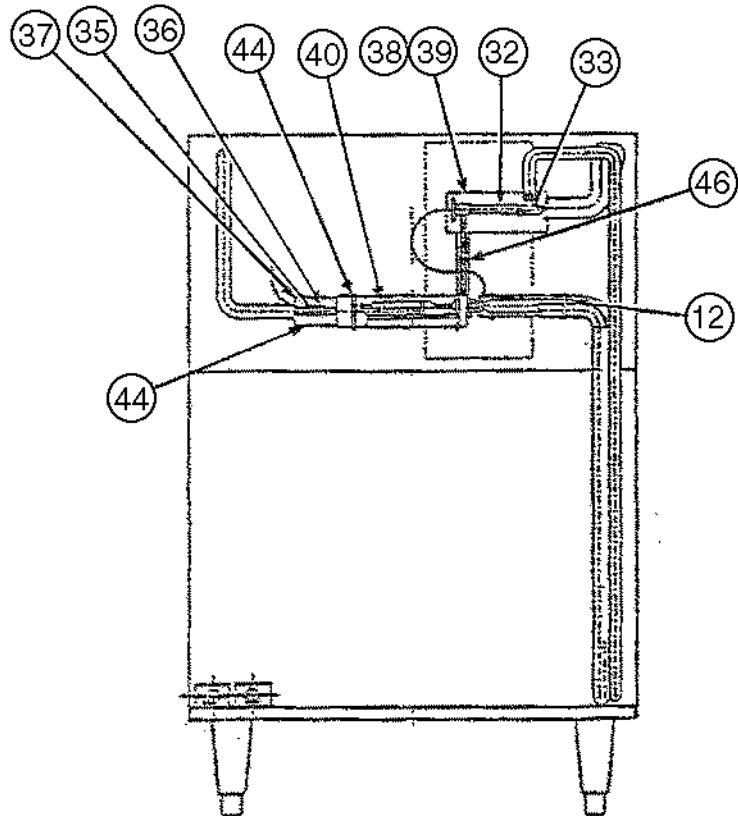
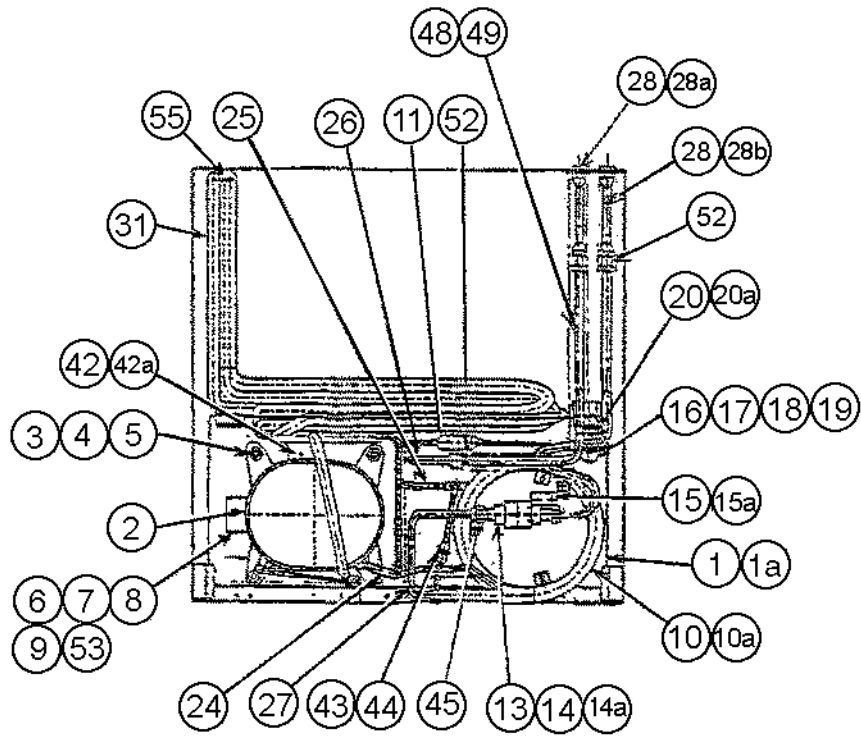
| MODEL: KM-150BAF TITLE: B. REFRIGERATION CIRCUIT | | | | | | | | | | |
|--------------------------------------------------|-----------------------------|--------------------------|-------------|-----------------|-----|-----|-----|-----|------------|------------|
| INDEX NO. | DESCRIPTION | MATERIAL OR MODEL NUMBER | PART NUMBER | REQUIRED NUMBER | | | | | | |
| | | | | G-0 | H-0 | H-1 | H-2 | J-0 | K-0 L-0 | L-1 M-0 |
| 37 | RUBBER TUBE | EPDM | 452651-01 | 2 | 2 | 2 | 2 | 2 | 2 | 2 |
| 38 | THERMISTOR | - | 429006-02 | 1 | 1 | 1 | 1 | 1 | 1 | 1 |
| 39 | HOLDER - THERMISTOR | - | 436455-01 | 1 | 1 | 1 | 1 | 1 | 1 | 1 |
| 40 | INSULATION - THERMISTOR | PE FOAM | 427441-01 | 1 | 1 | 1 | 1 | 1 | 1 | 1 |
| 41 | EXP. VALVE COVER (A) | PE FOAM | 324214-01 | 1 | 1 | 1 | 1 | 1 | 1 | 1 |
| 42 | EXP. VALVE COVER (B) | PE FOAM | 324214-02 | 1 | 1 | 1 | 1 | 1 | 1 | 1 |
| 43 | CLAMP | 6806 | 443461-02 | 2 | 2 | 2 | 2 | 2 | 2 | 2 |
| 44 | SEPARATOR | PS | 226329-01 | 1 | 1 | 1 | 1 | 1 | 1 | 1 |
| 45 | CLAMP | GS | 452692-01 | 1 | 1 | 1 | 1 | 1 | 1 | 1 |
| 45a | T2 SCREW | 4X8 | 7P31-0408 | 1 | 1 | 1 | 1 | 1 | 1 | 1 |
| 46 | INSULATION TUBE | L=30 | 7762-1020 | 2 | 2 | 2 | 2 | 2 | 2 | 2 |
| 47 | CABLE TIE | CV-200 | 7920-0010 | 11 | 11 | 11 | 11 | 11 | 11 | 11 |
| 48 | INSULATION (B) - EXP. VALVE | L=140 | 7762-0717 | 1 | 1 | 1 | 1 | 1 | 1 | 1 |
| 49 | TERMINAL COVER | - | 4A2272F02 | | | | | | | 1 |
| 50 | PROCESS TUBE ASSEMBLY | - | 3A1789G01 | | | | | | | 1 |
| | | | | | | | | | | |
| | | | | | | | | | | |
| | | | | | | | | | | |
| | | | | | | | | | | |
| | | | | | | | | | | |
| | | | | | | | | | | |
| | | | | | | | | | | |
| | | | | | | | | | | |
| | | | | | | | | | | |
| | | | | | | | | | | |
| | | | | | | | | | | |

B. REFRIGERATION CIRCUIT (1/2)









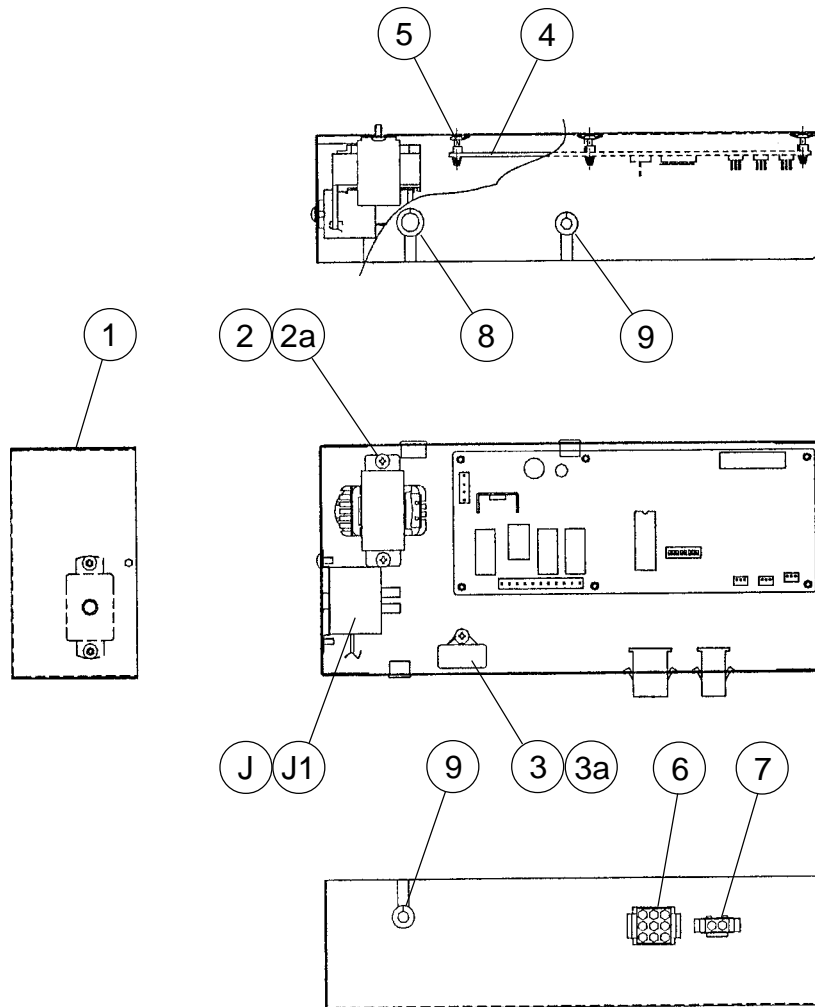
| MODEL: KM-150BWF TITLE: B. REFRIGERATION CIRCUIT | | | | | | | | | | |
|--------------------------------------------------|-----------------------------|--------------------------|-------------|-----------------|-----|-----|-----|-----|------------|--|
| INDEX NO. | DESCRIPTION | MATERIAL OR MODEL NUMBER | PART NUMBER | REQUIRED NUMBER | | | | | | |
| | | | | H-2 | H-3 | J-0 | K-0 | L-0 | L-1 M-0 | |
| G | EVAPORATOR | - | 108456A01 | 1 | 1 | x1 | | | | |
| | | - | 108456A02 | | | o1 | 1 | 1 | 1 | |
| G1 | TRUSS HEAD SCREW | 4X8, SS | 7C32-0408 | 4 | 4 | 4 | 4 | 4 | 4 | |
| 1 | UNIT BASE | GS | 338863G01 | 1 | 1 | 1 | 1 | - | | |
| | | GS | 339414G02 | | | | | 1 | 1 | |
| 1a | HEX HEAD BOLT W/WASHER (LF) | 5X12, SS | 7B0230512 | 3 | 3 | 3 | 3 | 3 | 3 | |
| 2 | COMPRESSOR | JS25C1EIAA | 4A1177-01 | 1 | 1 | 1 | 1 | - | | |
| | | ASE-24C3E-1AA | 4A2272-01 | | | | | 1 | 1 | |
| 3 | BOLT | 8X30 | 437889-03 | 4 | 4 | 4 | 4 | 4 | 4 | |
| 4 | GROMMET | 527-0039-04 | 434403-01 | 4 | 4 | 4 | 4 | - | | |
| | | - | 4A2281-01 | | | | | 4 | 4 | |
| 5 | SPACER | 527-0039-04 | 434404-01 | 4 | 4 | 4 | 4 | - | | |
| | | - | 4A2500-01 | | | | | 4 | 4 | |
| 6 | PROTECTOR | MRA-7990-160 | 4A1246-01 | 1 | 1 | 1 | 1 | - | | |
| | | - | 4A2293-01 | | | | | 1 | 1 | |
| 7 | PROTECTOR HOLDER | 032-0216-00 | 4A1248-01 | 1 | 1 | 1 | 1 | - | | |
| | | - | 4A2272F02 | | | | | 1 | 1 | |
| 8 | STARTER | 3CR 206-181B | 4A1191-01 | 1 | 1 | 1 | 1 | - | | |
| | | - | 4A2294-01 | | | | | 1 | 1 | |
| 9 | SCREW | #6-32x1/4 | 4A0898-03 | 3 | 3 | 3 | 3 | 3 | 3 | |
| 10 | CONDENSER-WATER COOLED | - | 226808-01 | 1 | 1 | 1 | 1 | 1 | 1 | |
| 10a | T2 SCREW | 4X8 | 7P31-0408 | 3 | 3 | 3 | 3 | 3 | 3 | |
| 11 | STRAINER | - | 441569-01 | 1 | 1 | 1 | 1 | 1 | 1 | |
| 12 | DRIER | KC-7980 | 446574-01 | 1 | 1 | 1 | 1 | x1 | | |
| | | - | | | | | | o1 | 1 | |
| 13 | WATER REGULATOR | V46DA-3 | 4A0911-03 | 1 | 1 | 1 | 1 | 1 | 1 | |
| 14 | MALE CONNECTOR | 48F-6-6 | 4A1284-01 | 1 | 1 | 1 | 1 | 1 | 1 | |
| 14a | TRUSS HEAD SCREW | 4X6 | 7C31-0406 | 2 | 2 | 2 | 2 | 2 | 2 | |
| 15 | WATER REGULATOR BRACKET | - | 453147-01 | 1 | 1 | 1 | 1 | 1 | 1 | |
| 15a | T2 SCREW | 4X8 | 7P31-0408 | 3 | 3 | 3 | 3 | 3 | 3 | |

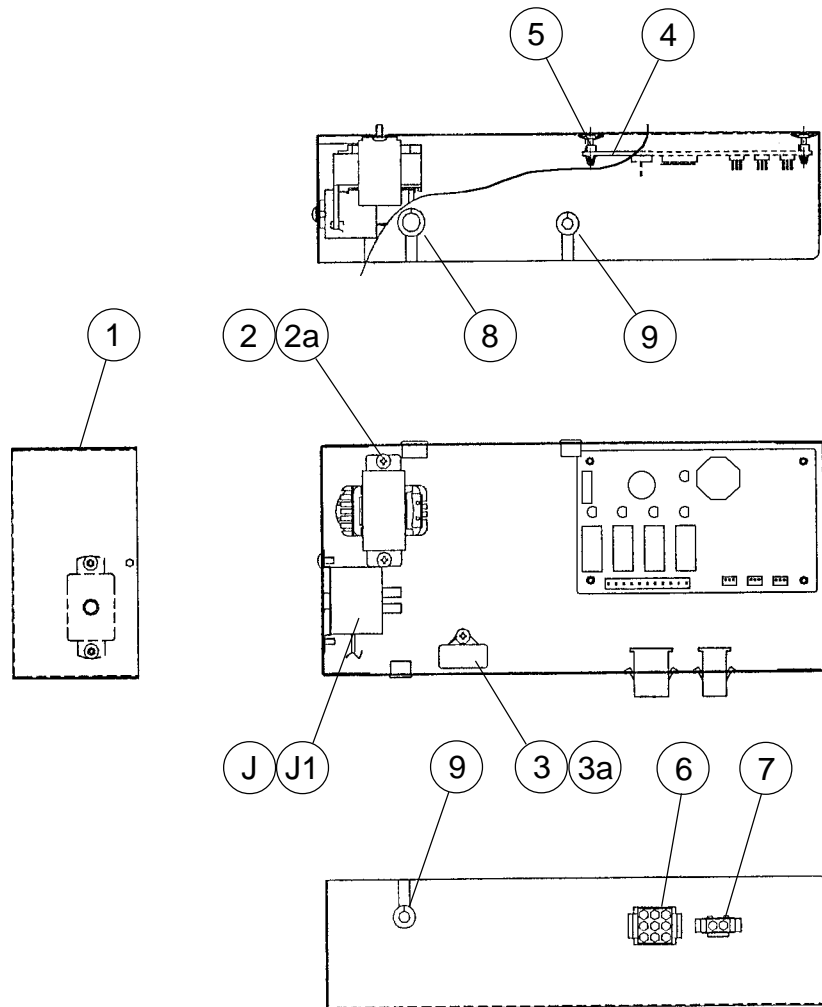
| MODEL: KM-150BWF TITLE: B. REFRIGERATION CIRCUIT | | | | | | | | | | |
|--------------------------------------------------|------------------------------|--------------------------|-------------|-----------------|-----|-----|-----|-----|------------|--|
| INDEX NO. | DESCRIPTION | MATERIAL OR MODEL NUMBER | PART NUMBER | REQUIRED NUMBER | | | | | | |
| | | | | H-2 | H-3 | J-0 | K-0 | L-0 | L-1 M-0 | |
| 16 | VALVE BODY | - | 3U0151-01 | 1 | 1 | 1 | 1 | 1 | 1 | |
| 17 | COIL VALVE | - | 3U0151F01 | 1 | 1 | 1 | 1 | 1 | 1 | |
| 18 | BOLT | - | 3U0151F02 | 1 | 1 | 1 | 1 | 1 | 1 | |
| 19 | TRUSS HEAD SCREW | 4X6 | 7C31-0406 | 2 | 2 | 2 | 2 | 2 | 2 | |
| 20 | BRACKET - HG | GS | 452652-01 | 1 | 1 | 1 | 1 | 1 | 1 | |
| 20a | T2 SCREW | 4X8 | 7P31-0408 | 2 | 2 | 2 | 2 | 2 | 2 | |
| 21 | ACCESS VALVE | FV180D001 | 446715-01 | 2 | 2 | 2 | 2 | - | | |
| | | - | 457729-01 | | | | | 2 | 2 | |
| 22 | PRESSURE SWITCH | - | 433441-03 | 1 | 1 | 1 | 1 | 1 | 1 | |
| 23 | PRESSURE SWITCH BRCKT. | GS | 434938-01 | 1 | 1 | 1 | 1 | 1 | 1 | |
| 23a | T2 SCREW | 4X8 | 7P31-0408 | 1 | 1 | 1 | 1 | 1 | 1 | |
| 24 | COPPER TUBE (J) – HIGH SIDE | COPPER | 226785G01 | 1 | 1 | 1 | 1 | - | | |
| | | COPPER | 2A2148G01 | | | | | 1 | 1 | |
| 25 | COPPER TUBE (K) – HIGH SIDE | COPPER | 339426G01 | 1 | 1 | 1 | 1 | 1 | 1 | |
| 26 | COPPER TUBE (A) –WATER SIDE | COPPER | 3A1139G01 | 1 | 1 | 1 | 1 | 1 | 1 | |
| 27 | COPPER TUBE (B) – WATER SIDE | COPPER | 4A1696G01 | 1 | 1 | 1 | 1 | 1 | 1 | |
| 28 | COPPER TUBE (C) WATER SIDE | | 4A1695G01 | 1 | 1 | 1 | 1 | 1 | 1 | |
| 28a | T2 SCREW | 4X8, SS | 7P32-0408 | 2 | 2 | 2 | 2 | 2 | 2 | |
| 28b | T2 SCREW | 4X8, SS | 7P32-0408 | 2 | 2 | 2 | 2 | 2 | 2 | |
| 29 | COPPER TUBE (A) ACCESS VALVE | COPPER | 453059G01 | 1 | 1 | 1 | 1 | - | | |
| 30 | HEAT EXCHANGER | - | 226687G01 | 1 | x1 | | | | | |
| | | - | 2A1728G01 | | o1 | 1 | 1 | - | | |
| 31 | COPPER TUBE (A) HOT GAS | COPPER | 226686G01 | 1 | x1 | | | | | |
| | | COPPER | 2A1671G01 | | o1 | 1 | 1 | 1 | 1 | |
| 32 | EXPANSION VALVE | - | 452870-01 | 1 | 1 | 1 | 1 | 1 | 1 | |
| 33 | TEE | COPPER | 436000-08 | 1 | - | - | - | | | |
| 34 | RUBBER TUBE | EPDM | 452651-01 | 2 | 2 | 2 | 2 | 2 | 2 | |
| 35 | THERMISTOR | - | 429006-02 | 1 | 1 | 1 | 1 | 1 | 1 | |
| 36 | HOLDER - THERMISTOR | - | 436455-01 | 1 | 1 | 1 | 1 | 1 | 1 | |

| MODEL: KM-150BWF TITLE: B. REFRIGERATION CIRCUIT | | | | | | | | | | |
|--------------------------------------------------|-------------------------|--------------------------|-------------|-----------------|-----|-----|-----|-----|------------|--|
| INDEX NO. | DESCRIPTION | MATERIAL OR MODEL NUMBER | PART NUMBER | REQUIRED NUMBER | | | | | | |
| | | | | H-2 | H-3 | J-0 | K-0 | L-0 | L-1 M-0 | |
| 37 | INSULATION - THERMISTOR | PE FOAM | 427441-01 | 1 | 1 | 1 | 1 | 1 | 1 | |
| 38 | EXP. VALVE COVER (A) | PE FOAM | 324214-01 | 1 | 1 | 1 | 1 | 1 | 1 | |
| 39 | EXP. VALVE COVER (B) | PE FOAM | 324214-02 | 1 | 1 | 1 | 1 | 1 | 1 | |
| 40 | CLAMP | 6806 | 443461-02 | 2 | 2 | 2 | 2 | 2 | 2 | |
| 41 | SEPARATOR | PS | 226329-01 | 1 | 1 | 1 | 1 | 1 | 1 | |
| 42 | CLAMP | GS | 452692-01 | 1 | 1 | 1 | 1 | 1 | 1 | |
| 42a | T2 SCREW | 4X8 | 7P31-0408 | 1 | 1 | 1 | 1 | 1 | 1 | |
| 43 | INSULATION TUBE | L=30 | 7762-1020 | 3 | 3 | 3 | 3 | 3 | 3 | |
| 44 | CABLE TIE | CV-200 | 7920-0010 | 13 | 13 | 13 | 13 | 13 | 13 | |
| 45 | FLARE NUT | MN 30J | 403695-01 | 1 | 1 | 1 | 1 | 1 | 1 | |
| 46 | INSULATION - EXP. VALVE | L=140 | 7762-0717 | 1 | 1 | 1 | 1 | 1 | 1 | |
| 47 | INSULATION - DRIER | L=145 | 7762-2030 | 1 | 1 | 1 | 1 | - | | |
| 48 | FLEXIBLE TUBING | - | 4A1685-01 | 1 | 1 | 1 | 1 | 1 | 1 | |
| 49 | INSULATION | L=800 | 7762-1323 | 1 | 1 | 1 | 1 | 1 | 1 | |
| 50 | FLEXIBLE TUBING | - | 4A1685-02 | 1 | 1 | 1 | 1 | 1 | 1 | |
| 51 | INSULATION | L=890 | 7762-1323 | 1 | 1 | 1 | 1 | - | | |
| 52 | MALE CONNECTOR | 48F-8-6 | 4A1087-01 | 4 | 4 | 4 | 4 | 4 | 4 | |
| 53 | TERMINAL COVER | - | 4A2272F01 | | | | | 1 | 1 | |
| 54 | PROCESS TUBE ASSEMBLY | - | 3A1789G01 | | | | | 1 | 1 | |
| 55 | COPPER TUBE – (P) | COPPER | 2A2149A01 | | | | | 1 | 1 | |
| | | | | | | | | | | |
| | | | | | | | | | | |
| | | | | | | | | | | |
| | | | | | | | | | | |
| | | | | | | | | | | |
| | | | | | | | | | | |

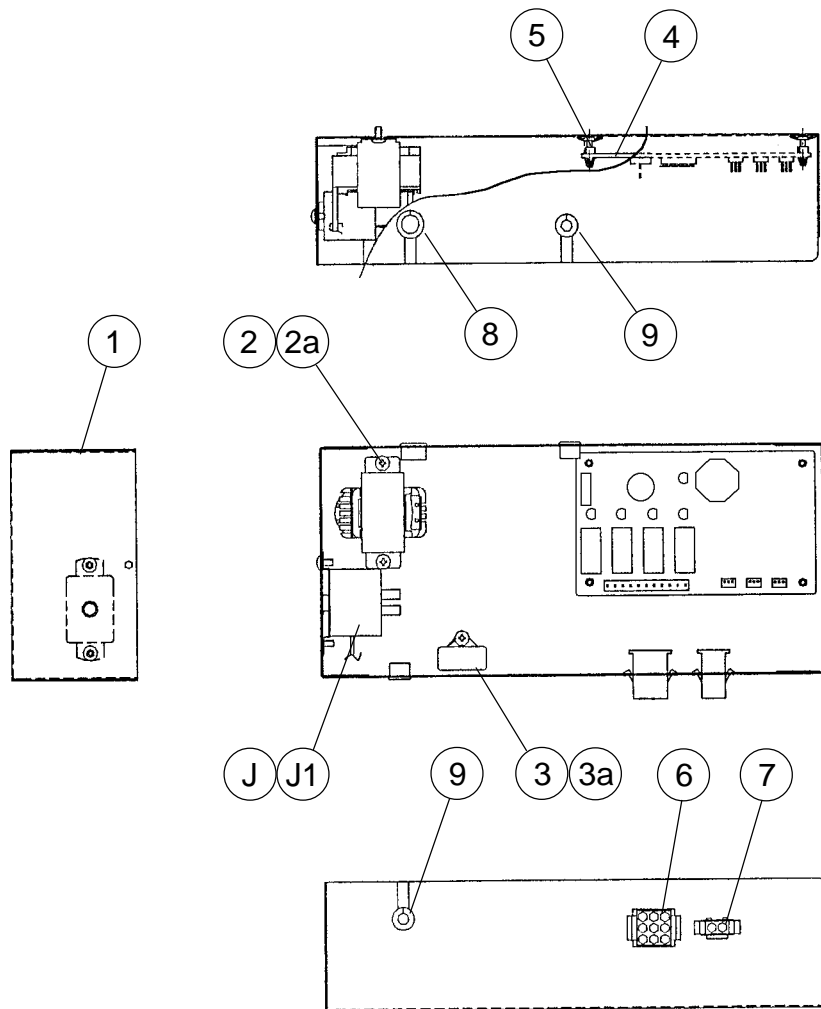
| MODEL: KM-150BAF TITLE: C. WATER CIRCUIT | | | | | | | | | | |
|------------------------------------------|--------------------------|--------------------------|-------------|-----------------|-----|-----|-----|------------|------------|-----|
| INDEX NO. | DESCRIPTION | MATERIAL OR MODEL NUMBER | PART NUMBER | REQUIRED NUMBER | | | | | | |
| | | | | G-0 | H-0 | H-1 | H-2 | J-0 K-0 | L-0 L-1 | M-0 |
| H | PUMP MOTOR ASSEMBLY | - | 226314A01 | 1 | 1 | 1 | 1 | 1 | 1 | 1 |
| H1 | TRUSS HEAD SCREW | 5X10, SS | 7C32-0510 | 1 | 1 | 1 | 1 | 1 | 1 | 1 |
| 1 | FITTING (A) | - | 443613-01 | 1 | 1 | 1 | 1 | 1 | 1 | 1 |
| 2 | RUBBER GASKET | NR | 413854-03 | 1 | 1 | 1 | 1 | 1 | 1 | 1 |
| 3 | WATER VALVE | J248-662 | 3U0152-01 | 1 | 1 | 1 | 1 | 1 | 1 | 1 |
| | TRUSS HEAD SCREW | 4X8 | 7C31-0408 | 2 | 2 | 2 | 2 | 2 | 2 | 2 |
| 4 | SOLENOID VALVE | 207CB-GS1873 | 439322-01 | 1 | 1 | 1 | 1 | 1 | 1 | 1 |
| | TRUSS HEAD SCREW | 4X8 | 7C31-0408 | 2 | 2 | 2 | 2 | 2 | 2 | 2 |
| 5 | ARROW LABEL | PES FILM | 4A0096-01 | 1 | 1 | 1 | 1 | 1 | 1 | 1 |
| 6 | BRACKET - SOLENOID VALVE | GS | 452656-01 | 1 | 1 | 1 | 1 | 1 | 1 | 1 |
| | TRUSS HEAD SCREW | 4X8 | 7C31-0408 | 2 | 2 | 2 | 2 | 2 | 2 | 2 |
| 7 | WATER SUPPLY HOSE | EPDM | 338865-01 | 1 | 1 | 1 | 1 | 1 | 1 | 1 |
| 8 | SPRAY GUIDE (A) | - | 208586-01 | 2 | 2 | 2 | 2 | 2 | 2 | 2 |
| 9 | SPRAY GUIDE (D) | - | 208586-04 | 1 | 1 | 1 | 1 | 1 | 1 | 1 |
| 10 | SPRAY TUBE | ABS | 452657G01 | 1 | 1 | 1 | 1 | 1 | 1 | 1 |
| 11 | ELBOW | EPDM | 433467-01 | 1 | 1 | 1 | 1 | 1 | 1 | 1 |
| 12 | JOINT PIPE | ABS | 439329-01 | 1 | 1 | 1 | 1 | 1 | 1 | 1 |
| 13 | TANK | ABS | 108458G01 | 1 | 1 | 1 | 1 | 1 | 1 | 1 |
| 14 | OVERFLOW PIPE | ABS | 327771-01 | 1 | 1 | 1 | 1 | 1 | 1 | 1 |
| 15 | "O" RING | - | 4A1234-01 | 1 | 1 | 1 | 1 | 1 | 1 | 1 |
| 16 | OVERFLOW CAP | PE | 327769-01 | 1 | 1 | 1 | 1 | 1 | 1 | 1 |
| 17 | SUPPORT - TANK | SS | 452658-01 | 1 | 1 | 1 | 1 | 1 | 1 | 1 |
| 18 | RAIL - TANK | SS | 339526G01 | 1 | 1 | 1 | 1 | 1 | 1 | 1 |
| 19 | THUMBSCREW | - | 415949G04 | 7 | 7 | 7 | 7 | 7 | 7 | 7 |
| 20 | CUBE GUIDE | ABS | 226313-01 | 1 | 1 | 1 | 1 | 1 | 1 | 1 |
| 21 | VINYL HOSE | L=700 | 7716-1519 | 1 | x1 | | | | | |
| | | L=490 | 7716-1519 | | o1 | 1 | x1 | | | |
| | | L=460 | 7716-1519 | | | | o1 | 1 | 1 | 1 |

| MODEL: KM-150BWF TITLE: C. WATER CIRCUIT | | | | | | | | | | |
|------------------------------------------|--------------------------|--------------------------|-------------|-----------------|-----|-----|-----|-----|------------|--|
| INDEX NO. | DESCRIPTION | MATERIAL OR MODEL NUMBER | PART NUMBER | REQUIRED NUMBER | | | | | | |
| | | | | H-2 | H-3 | J-0 | K-0 | L-0 | L-1 M-0 | |
| H | PUMP MOTOR ASSEMBLY | - | 226314A01 | 1 | 1 | 1 | 1 | 1 | 1 | |
| H1 | TRUSS HEAD SCREW | 5X10, SS | 7C32-0510 | 1 | 1 | 1 | 1 | 1 | 1 | |
| 1 | FITTING (A) | - | 443613-01 | 1 | 1 | 1 | 1 | 1 | 1 | |
| 2 | RUBBER GASKET | NR | 413854-03 | 1 | 1 | 1 | 1 | 1 | 1 | |
| 3 | WATER VALVE | J248-662 | 3U0152-01 | 1 | 1 | 1 | 1 | 1 | 1 | |
| 3a | TRUSS HEAD SCREW | 4X8 | 7C31-0408 | 2 | 2 | 2 | 2 | 2 | 2 | |
| 4 | SOLENOID VALVE | 207CB-GS1873 | 439322-01 | 1 | 1 | 1 | 1 | 1 | 1 | |
| 4a | TRUSS HEAD SCREW | 4X8 | 7C31-0408 | 2 | 2 | 2 | 2 | 2 | 2 | |
| 5 | ARROW LABEL | PES FILM | 4A0096-01 | 1 | 1 | 1 | 1 | 1 | 1 | |
| 6 | BRACKET - SOLENOID VALVE | GS | 452656-01 | 1 | 1 | 1 | 1 | 1 | 1 | |
| 6a | TRUSS HEAD SCREW | 4X8 | 7C31-0408 | 2 | 2 | 2 | 2 | 2 | 2 | |
| 7 | WATER SUPPLY HOSE | EPDM | 338865-01 | 1 | 1 | 1 | 1 | 1 | 1 | |
| 8 | SPRAY GUIDE (A) | - | 208586-01 | 2 | 2 | 2 | 2 | 2 | 2 | |
| 9 | SPRAY GUIDE (D) | - | 208586-04 | 1 | 1 | 1 | 1 | 1 | 1 | |
| 10 | SPRAY TUBE | ABS | 452657G01 | 1 | 1 | 1 | 1 | 1 | 1 | |
| 11 | ELBOW | EPDM | 433467-01 | 1 | 1 | 1 | 1 | 1 | 1 | |
| 12 | JOINT PIPE | ABS | 439329-01 | 1 | 1 | 1 | 1 | 1 | 1 | |
| 13 | TANK | ABS | 108458G01 | 1 | 1 | 1 | 1 | 1 | 1 | |
| 14 | OVERFLOW PIPE | ABS | 327771-01 | 1 | 1 | 1 | 1 | 1 | 1 | |
| 15 | "O" RING | - | 4A1234-01 | 1 | 1 | 1 | 1 | 1 | 1 | |
| 16 | OVERFLOW CAP | PE | 327769-01 | 1 | 1 | 1 | 1 | 1 | 1 | |
| 17 | SUPPORT - TANK | SS | 452658-01 | 1 | 1 | 1 | 1 | 1 | 1 | |
| 18 | RAIL - TANK | SS | 339526G01 | 1 | 1 | 1 | 1 | 1 | 1 | |
| 19 | THUMBSCREW | - | 415949G04 | 7 | 7 | 7 | 7 | 7 | 7 | |
| 20 | CUBE GUIDE | ABS | 226313-01 | 1 | 1 | 1 | 1 | 1 | 1 | |
| 21 | VINYL HOSE | L=460 | 7716-1519 | 1 | 1 | 1 | 1 | 1 | 1 | |
| 22 | VINYL HOSE | L=335 | 7716-1519 | 1 | 1 | 1 | 1 | 1 | 1 | |
| 23 | INSULATION TUBE | L=180 | 7762-2030 | 1 | 1 | 1 | 1 | 1 | 1 | |
| 24 | HOSE CLAMP | 18 mm. SS | 427443-05 | 7 | 7 | 7 | 7 | 7 | 7 | |





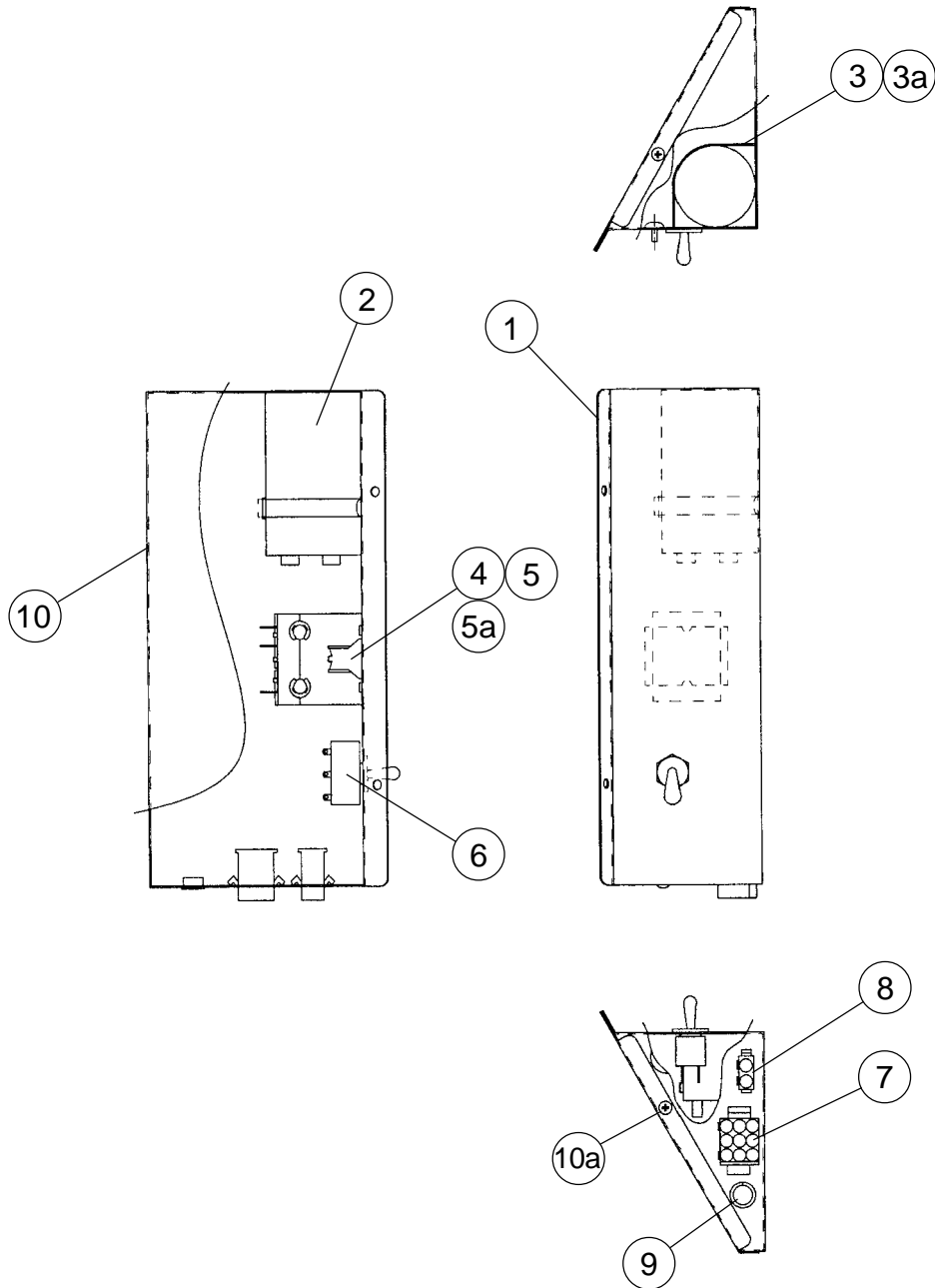
| MODEL: KM-150BAF TITLE: D. CONTROL BOX ASSEMBLY (A) | | | | | | | | | | |
|-----------------------------------------------------|---------------------|--------------------------|-------------|-----------------|-----|-----|-----|-----|------------|-----|
| INDEX NO. | DESCRIPTION | MATERIAL OR MODEL NUMBER | PART NUMBER | REQUIRED NUMBER | | | | | | |
| | | | | G-0 H-0 | H-1 | H-2 | J-0 | K-0 | L-0 L-1 | M-0 |
| J | THERMOSTAT ASSEMBLY | - | 339623A01 | 1 | - | | | | | |
| | | - | 339623A02 | | 1 | 1 | 1 | 1 | 1 | 1 |
| J1 | TRUSS HEAD SCREW | 4X8 | 7C31-0408 | 2 | 2 | 2 | 2 | 2 | 2 | 2 |
| 1 | CONTROL BOX (A) | GS | 226319-01 | 1 | 1 | 1 | 1 | 1 | 1 | 1 |
| 2 | TRANSFORMER | 26D285H | 3A0172-01 | 1 | 1 | 1 | 1 | 1 | 1 | 1 |
| 2a | T2 SCREW | 4X8 | 7P31-0408 | 2 | 2 | 2 | 2 | 2 | 2 | 2 |
| 3 | CAPACITOR | UP25B205HWF | 4A1253-01 | 1 | 1 | 1 | 1 | 1 | 1 | 1 |
| 3a | T2 SCREW | 4X10 | 7P31-0410 | 1 | 1 | 1 | 1 | 1 | 1 | 1 |
| 4 | CONTROLLER BOARD | MY9KM910 | 2U0127-01 | 1 | - | | | | | |
| | | HOSHIZAKI-001 | 2A0836-01 | | 1 | 1 | 1 | x1 | | |
| | | HOSHIZAKI-001A | 2A1410-01 | | | | | o1 | 1 | 1 |
| 5 | BOARD SUPPORT | CBLS37-M | 4A0336-03 | 6 | 4 | 4 | 4 | 4 | 4 | 4 |
| 6 | 9P PLUG HOUSING | 3191-09P | 412832-02 | 1 | 1 | 1 | 1 | 1 | 1 | 1 |
| 7 | 2P PLUG HOUSING | 3191-02P | 412832-07 | 1 | 1 | x1 | | | | |
| | | 3191-02P | 412832-09 | | | o1 | 1 | 1 | 1 | 1 |
| 8 | BUSHING | OCB-625 | 428394-03 | 1 | 1 | 1 | 1 | 1 | 1 | 1 |
| 9 | BUSHING | OCB-500 | 428394-02 | 2 | 2 | 2 | 2 | 2 | 2 | 2 |
| | | | | | | | | | | |
| | | | | | | | | | | |
| | | | | | | | | | | |
| | | | | | | | | | | |
| | | | | | | | | | | |
| | | | | | | | | | | |
| | | | | | | | | | | |
| | | | | | | | | | | |
| | | | | | | | | | | |
| | | | | | | | | | | |
| | | | | | | | | | | |



HA
KM-150BAF, BWF

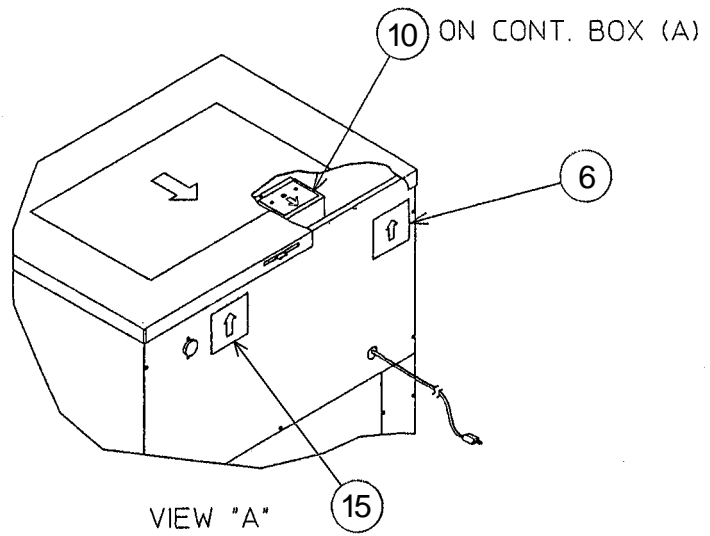
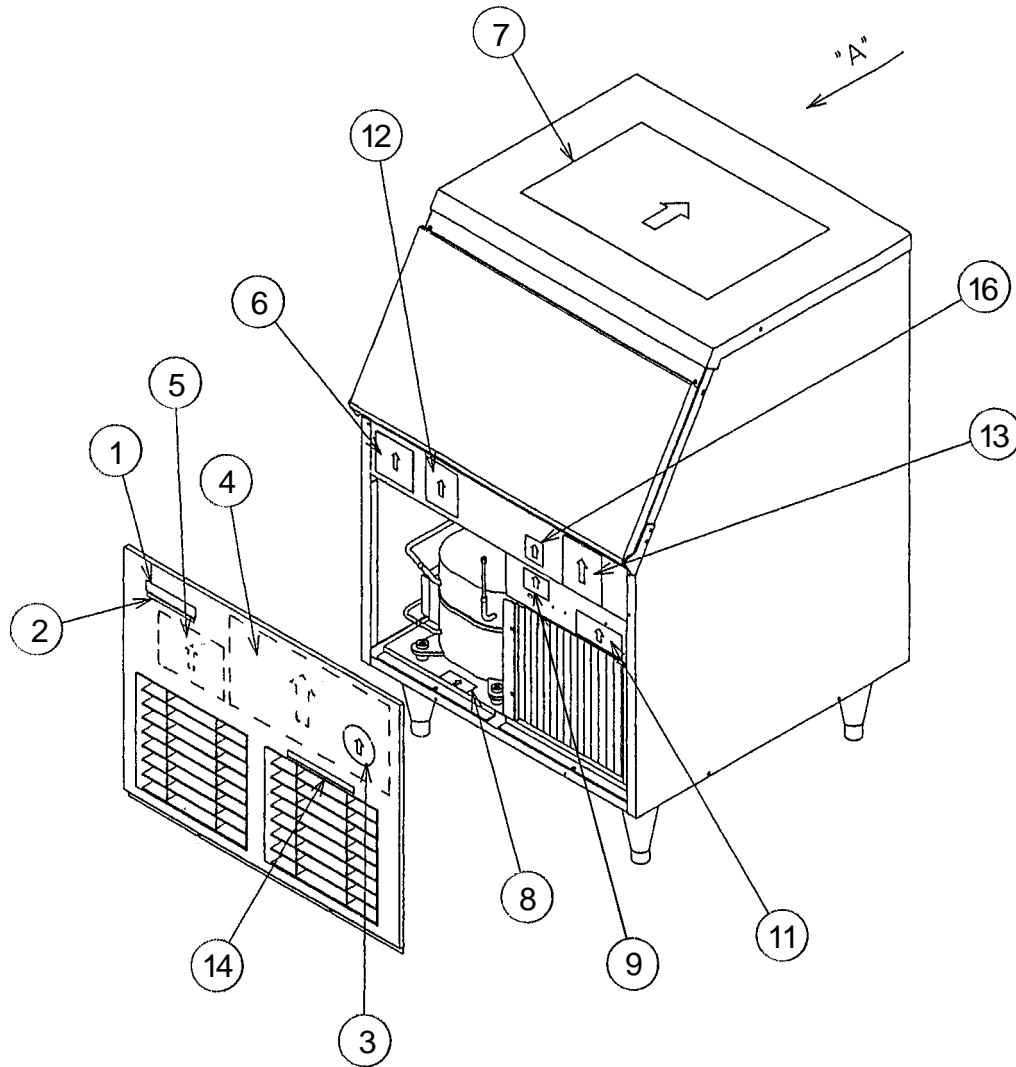
E. CONT. BOX ASSEMBLY (B)

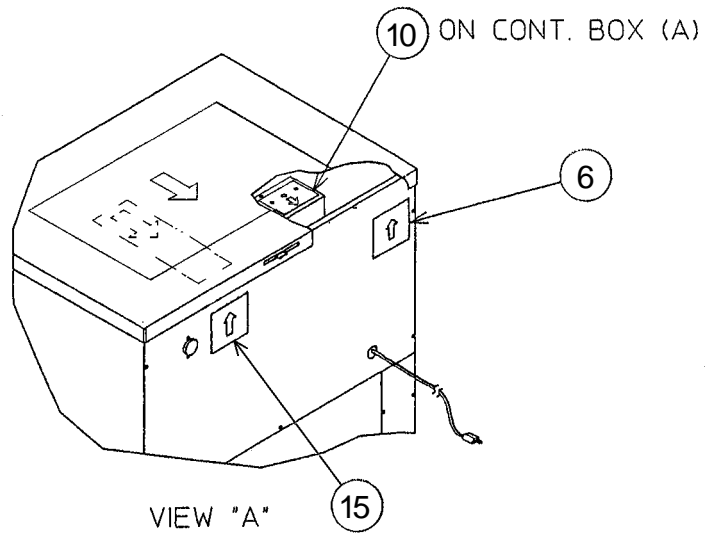
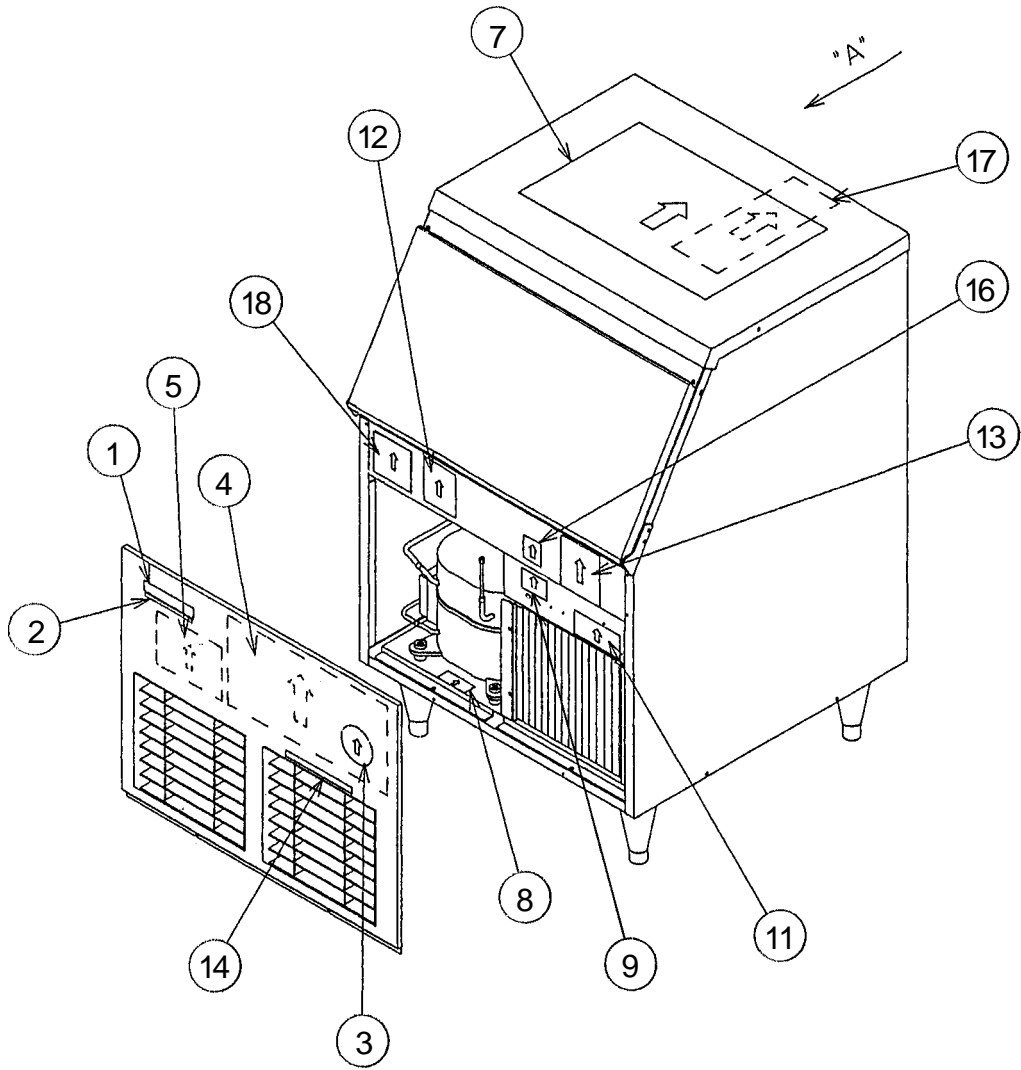
G-0, H-0, H-1,
H-2, H-3, J-0,
K-0, L-0, L-1,
M-0



| MODEL: KM-150BAF TITLE: E. CONTROL BOX ASSEMBLY (B) | | | | | | | | | | |
|-------------------------------------------------------------------|-------------------------|--------------------------|-------------|-----------------|-----|-----|-----|-----|------------|------------|
| INDEX NO. | DESCRIPTION | MATERIAL OR MODEL NUMBER | PART NUMBER | REQUIRED NUMBER | | | | | | |
| | | | | G-0 | H-0 | H-1 | H-2 | J-0 | K-0 L-0 | L-1 M-0 |
| 1 | CONTROL BOX (B) | GS | 226320-01 | 1 | 1 | 1 | 1 | 1 | 1 | - |
| | | GS | 2A2144-01 | | | | | | | 1 |
| 2 | CAPACITOR - STARTING | - | 3A0076-11 | 1 | 1 | 1 | 1 | 1 | 1 | - |
| | | - | 3A0076-01 | | | | | | | 1 |
| 3 | STRAP | L=94 | 434580-13 | 1 | 1 | 1 | 1 | 1 | 1 | - |
| | | L=120 | 434580-02 | | | | | | | 1 |
| 3a | T2 SCREW | 4X8 | 7P31-0408 | 1 | 1 | 1 | 1 | 1 | 1 | 1 |
| 4 | MAGNETIC CONTACTOR | VC20 | 428393-01 | 1 | 1 | 1 | 1 | 1 | 1 | 1 |
| 5 | BRACKET | BW9154 | 428393F01 | 1 | 1 | 1 | 1 | 1 | 1 | 1 |
| 5a | T2 SCREW | 4X8 | 7P31-0408 | 2 | 2 | 2 | 2 | 2 | 2 | 2 |
| 6 | TOGGLE SWITCH | 7563K6 | 443119-01 | 1 | 1 | 1 | 1 | 1 | 1 | 1 |
| 7 | 9P PLUG HOUSING | 3191-09P | 412832-02 | 1 | 1 | 1 | 1 | 1 | 1 | 1 |
| 8 | 2P PLUG HOUSING | 3191-02P | 412832-07 | 1 | 1 | 1 | 1 | 1 | 1 | 1 |
| 9 | BUSHING | OCB-625 | 428394-03 | 1 | 1 | 1 | 1 | 1 | 1 | 1 |
| 10 | COVER - CONTROL BOX (B) | GS | 338869-01 | 1 | 1 | 1 | 1 | 1 | 1 | - |
| | | GS | 3A1912-01 | | | | | | | 1 |
| 10a | T2 SCREW | 4X8 | 7P31-0408 | 2 | 2 | 2 | 2 | 2 | 2 | 2 |
| | | | | | | | | | | |
| | | | | | | | | | | |
| | | | | | | | | | | |
| | | | | | | | | | | |
| | | | | | | | | | | |
| | | | | | | | | | | |
| | | | | | | | | | | |
| | | | | | | | | | | |
| | | | | | | | | | | |
| | | | | | | | | | | |
| | | | | | | | | | | |

| MODEL: KM-150BWF TITLE: E. CONTROL BOX ASSEMBLY (B) | | | | | | | | | | |
|-----------------------------------------------------|-------------------------|--------------------------|-------------|-----------------|-----|-----|-----|-----|------------|---|
| INDEX NO. | DESCRIPTION | MATERIAL OR MODEL NUMBER | PART NUMBER | REQUIRED NUMBER | | | | | | |
| | | | | H-2 | H-3 | J-0 | K-0 | L-0 | L-1 M-0 | |
| 1 | CONTROL BOX (B) | GS | 226320-01 | 1 | 1 | 1 | 1 | - | | |
| | | GS | 2A2144-01 | 1 | 1 | 1 | 1 | 1 | 1 | |
| 2 | CAPACITOR - STARTING | - | 3A0076-11 | 1 | 1 | 1 | 1 | - | | |
| | | - | 3A0076-01 | 1 | 1 | 1 | 1 | 1 | 1 | |
| 3 | STRAP | L=94 | 434580-13 | 1 | 1 | 1 | 1 | - | | |
| | | L=120 | 434580-02 | 1 | 1 | 1 | 1 | 1 | 1 | |
| 3a | T2 SCREW | 4X8 | 7P31-0408 | 1 | 1 | 1 | 1 | 1 | 1 | 1 |
| 4 | MAGNETIC CONTACTOR | VC20 | 428393-01 | 1 | 1 | 1 | 1 | 1 | 1 | 1 |
| 5 | BRACKET | BW9154 | 428393F01 | 1 | 1 | 1 | 1 | 1 | 1 | 1 |
| 5a | T2 SCREW | 4X8 | 7P31-0408 | 2 | 2 | 2 | 2 | 2 | 2 | 2 |
| 6 | TOGGLE SWITCH | 7563K6 | 443119-01 | 1 | 1 | 1 | 1 | 1 | 1 | 1 |
| 7 | 9P PLUG HOUSING | 3191-09P | 412832-02 | 1 | 1 | 1 | 1 | 1 | 1 | 1 |
| 8 | 2P PLUG HOUSING | 3191-02P | 412832-07 | 1 | 1 | 1 | 1 | 1 | 1 | 1 |
| 9 | BUSHING | OCB-625 | 428394-03 | 1 | 1 | 1 | 1 | 1 | 1 | 1 |
| 10 | COVER - CONTROL BOX (B) | GS | 338869-01 | 1 | 1 | 1 | 1 | - | | |
| | | GS | 3A1912-01 | | | | | 1 | 1 | 1 |
| 10a | T2 SCREW | 4X8 | 7P31-0408 | 2 | 2 | 2 | 2 | 2 | 2 | 2 |
| | | | | | | | | | | |
| | | | | | | | | | | |
| | | | | | | | | | | |
| | | | | | | | | | | |
| | | | | | | | | | | |
| | | | | | | | | | | |
| | | | | | | | | | | |
| | | | | | | | | | | |
| | | | | | | | | | | |
| | | | | | | | | | | |
| | | | | | | | | | | |
| | | | | | | | | | | |



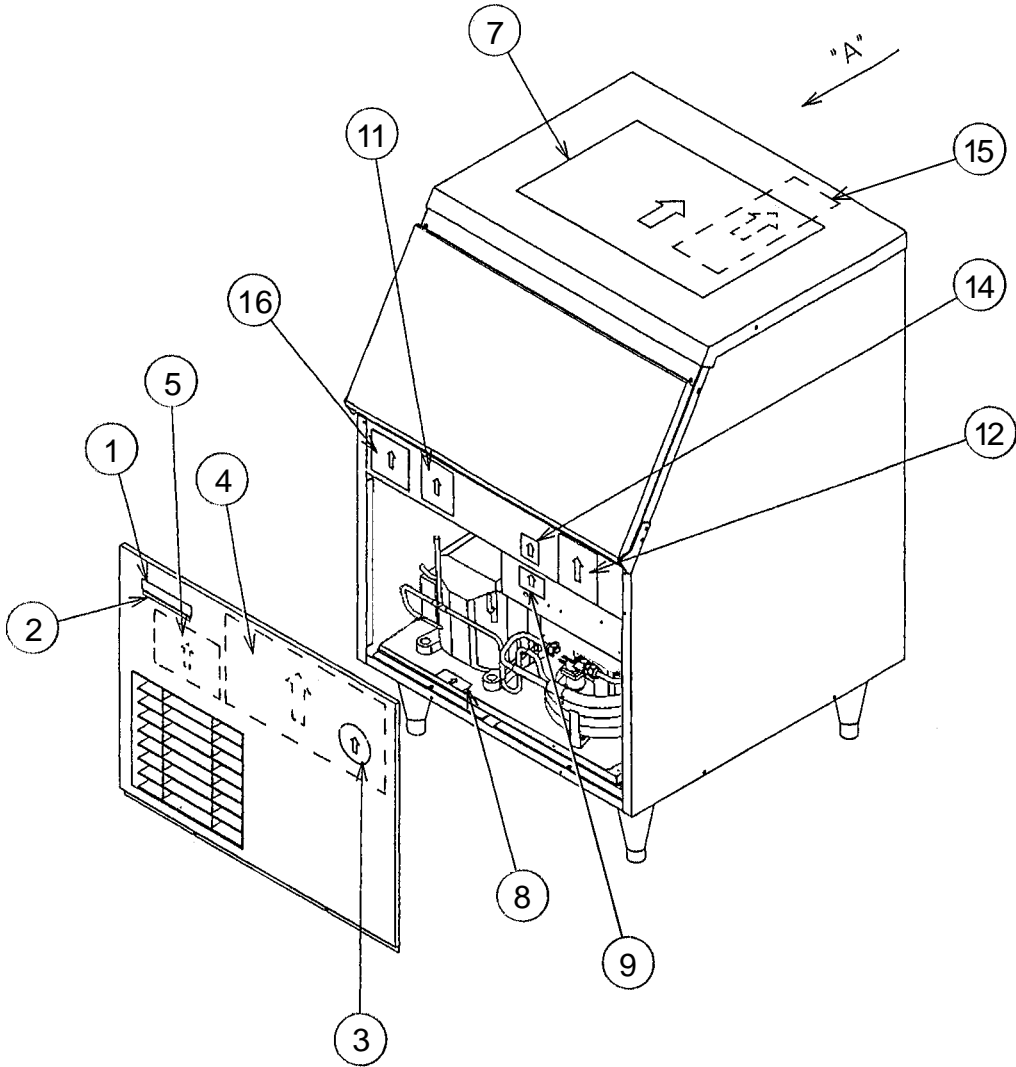


| MODEL: KM-150BAF TITLE: F. LABEL LOCATION | | | | | | | | | | |
|-------------------------------------------|------------------------|--------------------------|-------------|-----------------|-----|-----|-----|-----|------------|------------|
| INDEX NO. | DESCRIPTION | MATERIAL OR MODEL NUMBER | PART NUMBER | REQUIRED NUMBER | | | | | | |
| | | | | G-0 | H-0 | H-1 | H-2 | J-0 | K-0 L-0 | L-1 M-0 |
| 1 | EMBLEM | PETP FILM | 4A0560-01 | 1 | 1 | 1 | 1 | 1 | 1 | 1 |
| 2 | MODEL NUMBER LABEL | PES FILM | 4A1233-01 | 1 | 1 | 1 | 1 | 1 | 1 | 1 |
| 3 | LABEL - PENGUIN-HA-(L) | PETP FILM | 4A0526-02 | 1 | 1 | 1 | 1 | 1 | 1 | 1 |
| 4 | MAINTENANCE LABEL | PVC FILM | 3A0807-01 | 1 | 1 | 1 | 1 | 1 | 1 | 1 |
| 5 | WIRING LABEL | PVC FILM | 3A0899-01 | 1 | 1 | 1 | 1 | 1 | 1 | - |
| | | PVC FILM | 3A1902-01 | | | | | | | 1 |
| 6 | NAMEPLATE | PES FILM | 4A1237-01 | 2 | 2 | 1 | 1 | 1 | 1 | - |
| | | PES FILM | 4A2417-01 | | | | | | | 1 |
| 7 | INSTRUCTION SHEET | PAPER | 2A0886-01 | 1 | 1 | 1 | 1 | 1 | 1 | 1 |
| 8 | LABEL - R404A | PES FILM | 4A0960-01 | 1 | 1 | 1 | 1 | 1 | 1 | 1 |
| 9 | LABEL - SWITCH | PVC FILM | 4A1231-01 | 1 | 1 | 1 | 1 | 1 | 1 | 1 |
| 10 | CONTROL LABEL | PVC FILM | 4A1232-01 | 1 | 1 | 1 | 1 | - | | |
| | | PVC FILM | 4A1757-01 | | | | | 1 | 1 | 1 |
| 11 | CAUTION LABEL (F) | PVC FILM | 439146-01 | 1 | 1 | 1 | 1 | 1 | 1 | 1 |
| 12 | CAUTION LABEL (G) | PVC FILM | 439147-01 | 1 | 1 | 1 | 1 | 1 | 1 | 1 |
| 13 | MANUAL LABEL | PVC FILM | 3A0806-01 | 1 | 1 | 1 | 1 | 1 | 1 | 1 |
| 14 | LABEL - AIR FILTER | PETP FILM | 426177-01 | 1 | 1 | 1 | 1 | 1 | 1 | 1 |
| 15 | INSTRUCTION LABEL | PVC FILM | 444575-01 | 1 | 1 | 1 | 1 | 1 | 1 | 1 |
| 16 | CAUTION LABEL | PVC FILM | 440683-01 | 1 | 1 | 1 | 1 | 1 | 1 | 1 |
| 17 | LABEL CONTROL BOARD | PVC FILM | 3A1272-01 | - | - | 1 | 1 | 1 | 1 | 1 |
| 18 | RATING LABEL | PES FILM | 4A1619-01 | - | - | 1 | 1 | 1 | 1 | - |
| | | PES FILM | 4A2416-01 | | | | | | | 1 |
| | | | | | | | | | | |
| | | | | | | | | | | |
| | | | | | | | | | | |
| | | | | | | | | | | |
| | | | | | | | | | | |
| | | | | | | | | | | |
| | | | | | | | | | | |

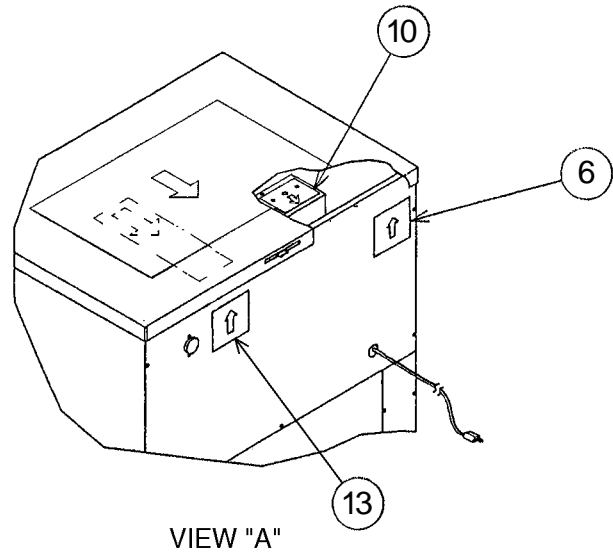
HA
KM-150BWF

F. LABEL LOCATION

H-2, H-3, J-0, K-0, L-0, L-1, M-0



ON CONT. BOX (A)



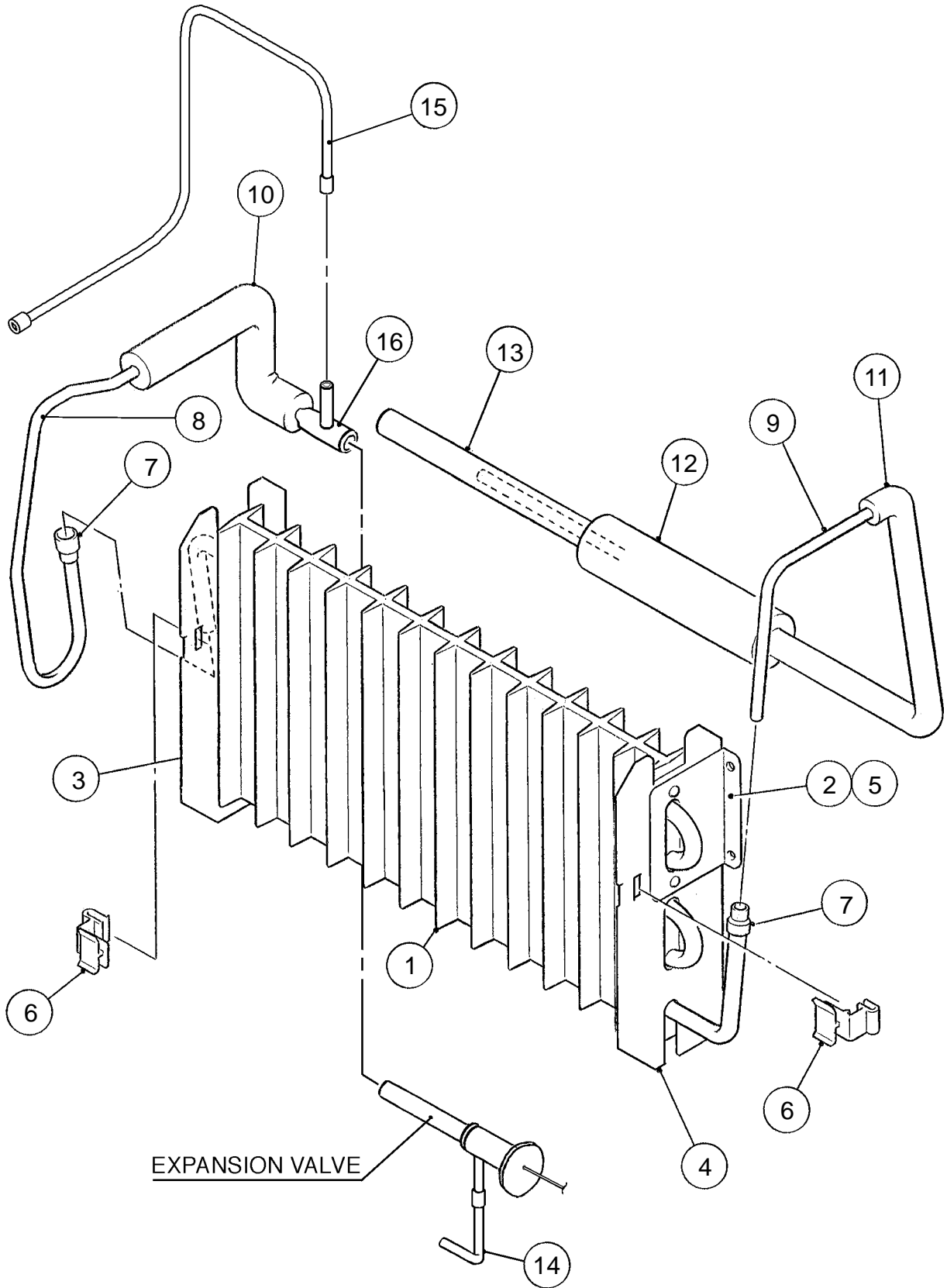
| MODEL: KM-150BWF TITLE: F. LABEL LOCATION | | | | | | | | | | |
|-------------------------------------------|------------------------|--------------------------|-------------|-----------------|-----|-----|-----|------------|-----|--|
| INDEX NO. | DESCRIPTION | MATERIAL OR MODEL NUMBER | PART NUMBER | REQUIRED NUMBER | | | | | | |
| | | | | H-2 | H-3 | J-0 | K-0 | L-0 L-1 | M-0 | |
| 1 | EMBLEM | PETP FILM | 4A0560-01 | 1 | 1 | 1 | 1 | 1 | 1 | |
| 2 | MODEL NUMBER LABEL | PES FILM | 4A1233-02 | 1 | 1 | 1 | 1 | 1 | 1 | |
| 3 | LABEL - PENGUIN-HA-(L) | PETP FILM | 4A0526-02 | 1 | 1 | 1 | 1 | 1 | 1 | |
| 4 | MAINTENANCE LABEL | PVC FILM | 3A0807-01 | 1 | 1 | 1 | 1 | 1 | 1 | |
| 5 | WIRING LABEL | PVC FILM | 3A1096-01 | 1 | 1 | 1 | 1 | - | | |
| | | PVC FILM | 3A1902-01 | | | | | 1 | 1 | |
| 6 | NAMEPLATE | PES FILM | 4A1340-01 | 1 | 1 | 1 | 1 | - | | |
| | | PES FILM | 4A2418-01 | | | | | 1 | 1 | |
| 7 | INSTRUCTION SHEET | PAPER | 2A0886-01 | 1 | 1 | 1 | 1 | 1 | 1 | |
| 8 | LABEL - R404A | PES FILM | 4A0960-01 | 1 | 1 | 1 | 1 | 1 | 1 | |
| 9 | LABEL - SWITCH | PVC FILM | 4A1231-01 | 1 | 1 | 1 | 1 | 1 | 1 | |
| 10 | CONTROL LABEL | PVC FILM | 4A1232-01 | 1 | - | | | | | |
| | | PVC FILM | 4A1757-01 | | 1 | 1 | 1 | 1 | 1 | |
| 11 | CAUTION LABEL (G) | PVC FILM | 439147-01 | 1 | 1 | 1 | 1 | 1 | 1 | |
| 12 | MANUAL LABEL | PVC FILM | 3A0806-01 | 1 | 1 | 1 | 1 | 1 | 1 | |
| 13 | INSTRUCTION LABEL | PVC FILM | 444575-01 | 1 | 1 | 1 | 1 | 1 | 1 | |
| 14 | CAUTION LABEL | PVC FILM | 440683-01 | 1 | 1 | 1 | 1 | 1 | 1 | |
| 15 | LABEL CONTROL BOARD | PVC FILM | 3A0998-01 | 1 | 1 | 1 | x1 | | | |
| | | PVC FILM | 3A1272-01 | | | | o1 | 1 | 1 | |
| 16 | RATING LABEL | PES FILM | 4A1666-01 | 1 | 1 | 1 | 1 | - | | |
| | | PES FILM | 4A2419-01 | | | | | 1 | 1 | |
| | | | | | | | | | | |
| | | | | | | | | | | |
| | | | | | | | | | | |
| | | | | | | | | | | |
| | | | | | | | | | | |
| | | | | | | | | | | |
| | | | | | | | | | | |
| | | | | | | | | | | |
| | | | | | | | | | | |

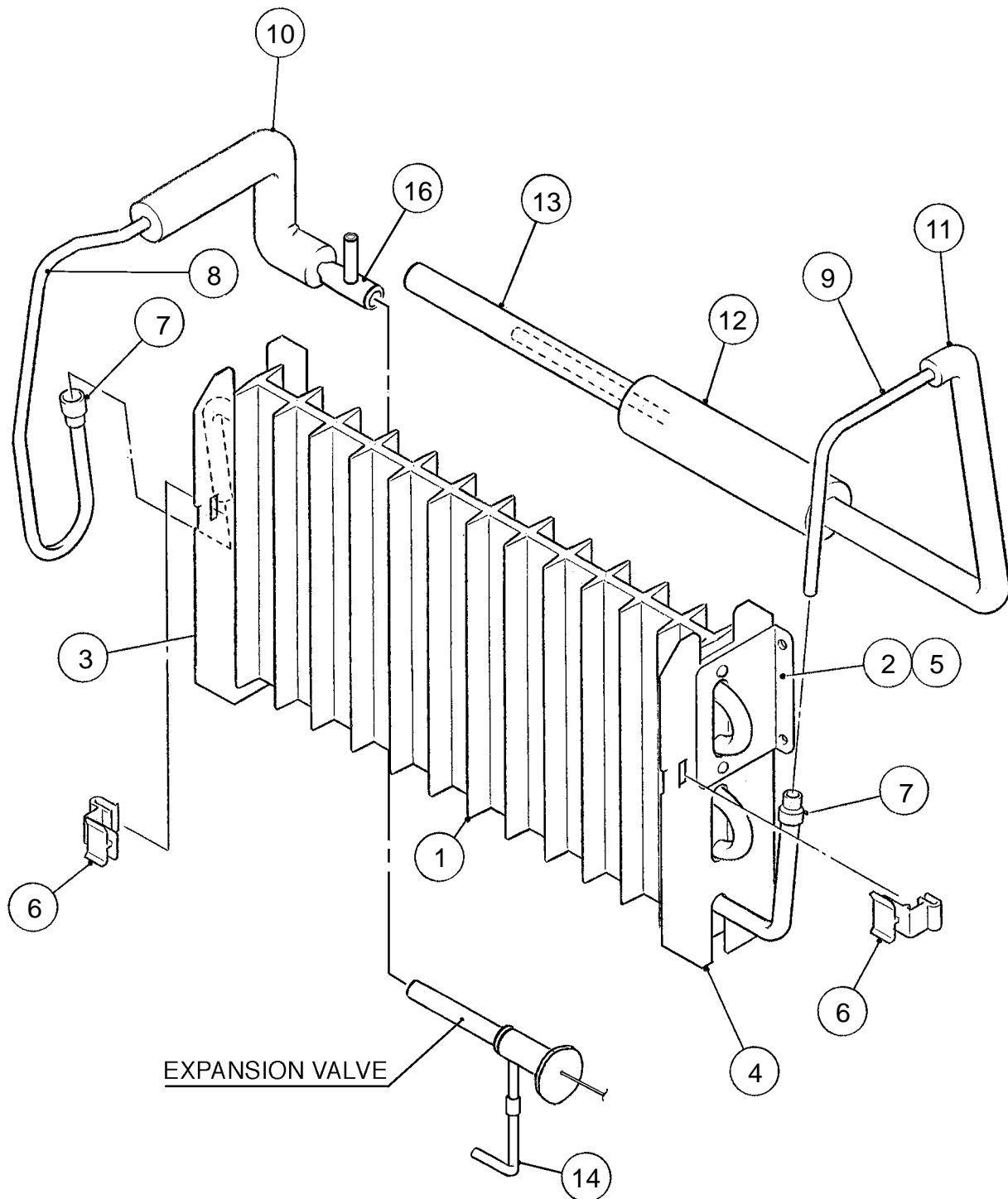
HA

KM-150BAF

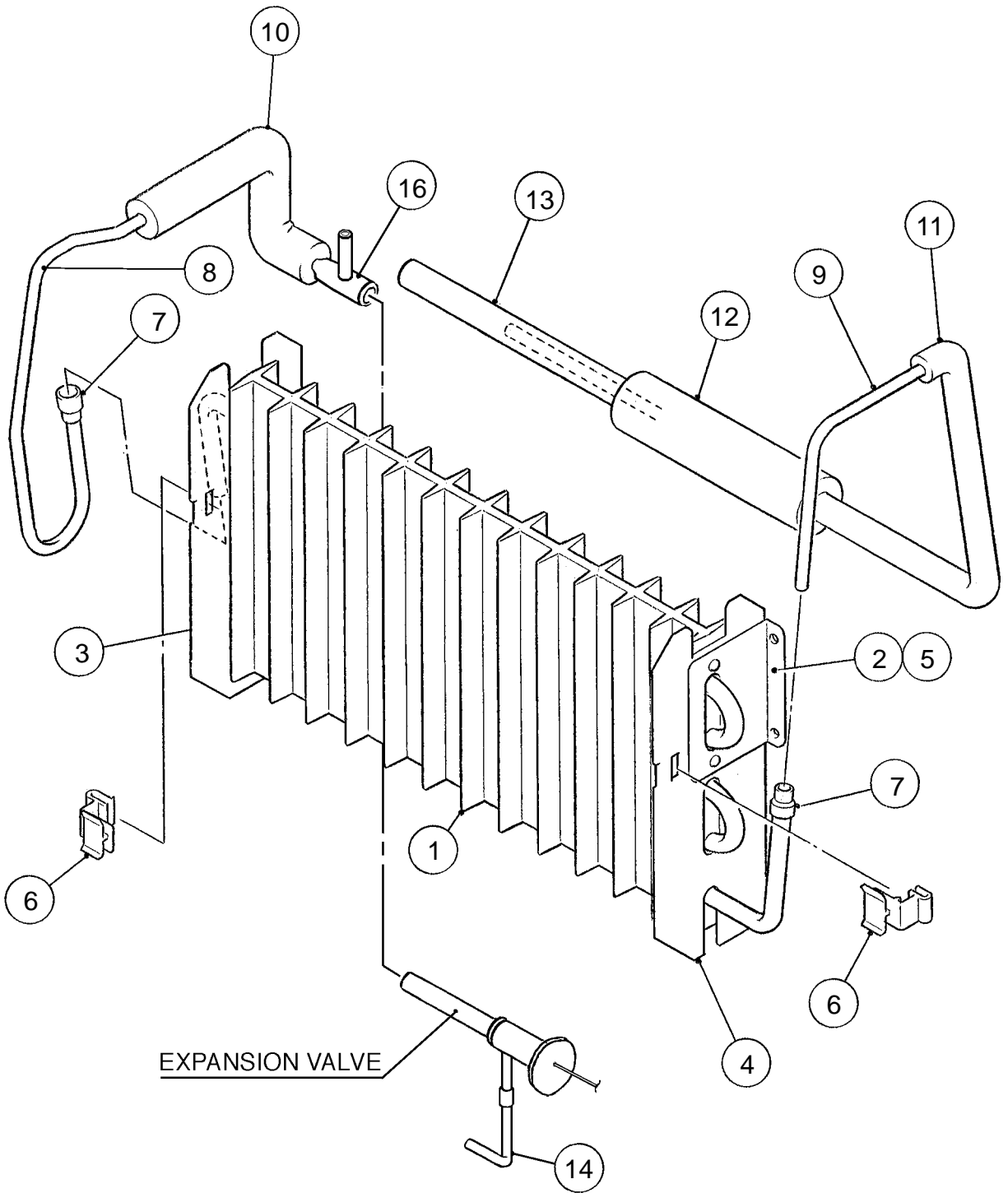
G. EVAPORATOR

G-0, H-0, H-1,
H-2, J-0, K-0,
L-0

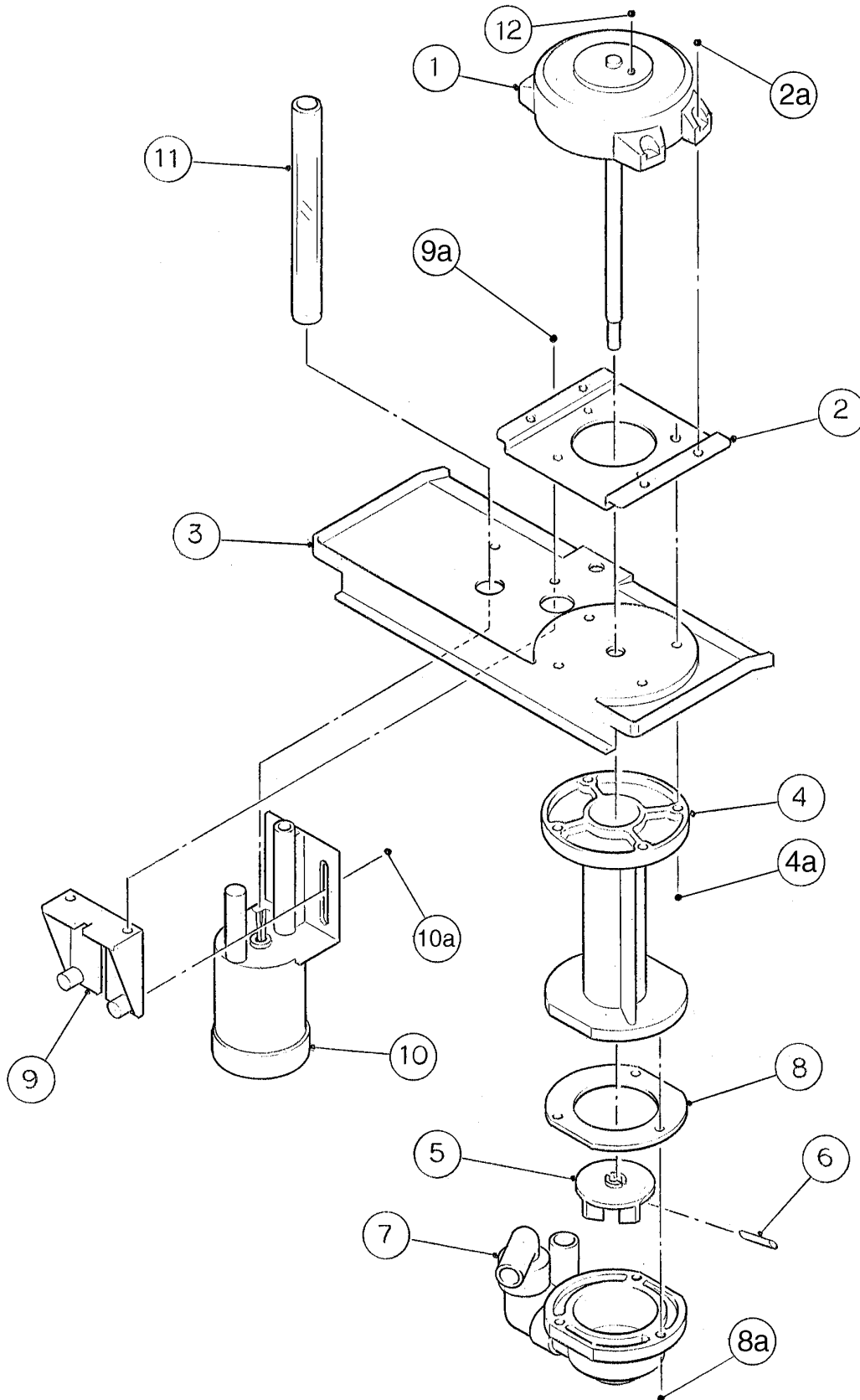




| MODEL: KM-150BAF TITLE: G. EVAPORATOR | | | | | | | | | | |
|---------------------------------------|------------------------------|--------------------------|-------------|-----------------|-----|-----|-----|-----|------------|------------|
| INDEX NO. | DESCRIPTION | MATERIAL OR MODEL NUMBER | PART NUMBER | REQUIRED NUMBER | | | | | | |
| | | | | G-0 | H-0 | H-1 | H-2 | J-0 | K-0 L-0 | L-1 M-0 |
| 1 | EVAPORATOR | - | 226312G01 | 1 | 1 | 1 | 1 | 1 | 1 | 1 |
| 2 | BRACKET - EVAPORATOR | SS | 452653-01 | 2 | x2 | | | | | |
| | | SS | 4A1449-01 | | o2 | 2 | 2 | 2 | 2 | 2 |
| 3 | BRACKET (L) - EVAPORATOR | ABS | 452654-01 | 1 | 1 | 1 | 1 | 1 | 1 | 1 |
| 4 | BRACKET (R) - EVAPORATOR | ABS | 452655-01 | 1 | 1 | 1 | 1 | 1 | 1 | 1 |
| 5 | POP RIVET | SSD43SSBS | 7172-4300 | 5 | 5 | 5 | 7 | 7 | 7 | 7 |
| 6 | HOOK | PE | 324152-01 | 2 | 2 | 2 | 2 | 2 | 2 | 2 |
| 7 | REDUCER | - | 421904-01 | 2 | 2 | 2 | 2 | 2 | 2 | 2 |
| 8 | COPPER TUBE (A) | COPPER | 339280-01 | 1 | 1 | 1 | 1 | 1 | 1 | 1 |
| 9 | COPPER TUBE (B) | COPPER | 338881-01 | 1 | 1 | 1 | 1 | 1 | 1 | 1 |
| 10 | INSULATION TUBE | L=235 | 7762-1330 | 1 | 1 | 1 | x1 | | | |
| | | L=300 | 7762-1330 | | | | o1 | 1 | 1 | 1 |
| 11 | INSULATION TUBE | L=425 | 7762-1330 | 1 | 1 | 1 | 1 | 1 | x1 | |
| | | L=425 | 7762-1630 | | | | | | o1 | 1 |
| 12 | INSULATION TUBE | L=180 | 7762-2646 | 1 | 1 | 1 | 1 | 1 | 1 | x1 |
| | | L=180 | 7762-2943 | | | | | | | o1 |
| 13 | INSULATION TUBE | L=255 | 7762-1330 | 1 | 1 | 1 | 1 | 1 | 1 | 1 |
| 14 | COPPER TUBE (A) - EXP. VALVE | COPPER | 453906-01 | 1 | 1 | 1 | 1 | 1 | 1 | 1 |
| 15 | COPPER TUBE (B) - EXP. VALVE | COPPER | 453907-01 | 1 | 1 | 1 | 1 | 1 | 1 | - |
| 16 | TEE | 111R-642 | 436000-08 | 1 | 1 | 1 | 1 | 1 | 1 | 1 |
| | | | | | | | | | | |
| | | | | | | | | | | |
| | | | | | | | | | | |
| | | | | | | | | | | |
| | | | | | | | | | | |
| | | | | | | | | | | |
| | | | | | | | | | | |



| MODEL: KM-150BWF TITLE: G. EVAPORATOR | | | | | | | | | | |
|-----------------------------------------------------|------------------------------|--------------------------|-------------|-----------------|-----|-----|-----|-----|------------|--|
| INDEX NO. | DESCRIPTION | MATERIAL OR MODEL NUMBER | PART NUMBER | REQUIRED NUMBER | | | | | | |
| | | | | H-2 | H-3 | J-0 | K-0 | L-0 | L-1 M-0 | |
| 1 | EVAPORATOR | - | 226312G01 | 1 | 1 | 1 | 1 | 1 | 1 | |
| 2 | BRACKET - EVAPORATOR | SS | 4A1449-01 | 2 | 2 | 2 | 2 | 2 | 2 | |
| 3 | BRACKET (L) - EVAPORATOR | ABS | 452654-01 | 1 | 1 | 1 | 1 | 1 | 1 | |
| 4 | BRACKET (R) - EVAPORATOR | ABS | 452655-01 | 1 | 1 | 1 | 1 | 1 | 1 | |
| 5 | POP RIVET | SSD43SSBS | 7172-4300 | 7 | 7 | 7 | 7 | 7 | 7 | |
| 6 | HOOK | PE | 324152-01 | 2 | 2 | 2 | 2 | 2 | 2 | |
| 7 | REDUCER | - | 421904-01 | 2 | 2 | 2 | 2 | 2 | 2 | |
| 8 | COPPER TUBE (A) | COPPER | 339280-01 | 1 | 1 | 1 | 1 | 1 | 1 | |
| 9 | COPPER TUBE (B) | COPPER | 338881-01 | 1 | 1 | 1 | 1 | 1 | 1 | |
| 10 | INSULATION TUBE | L=300 | 7762-1330 | 1 | 1 | 1 | 1 | 1 | 1 | |
| 11 | INSULATION TUBE | L=425 | 7762-1630 | 1 | 1 | 1 | 1 | 1 | 1 | |
| 12 | INSULATION TUBE | L=180 | 7762-2646 | 1 | 1 | 1 | 1 | x1 | | |
| | | L=180 | 7762-2943 | | | | | o1 | 1 | |
| 13 | INSULATION TUBE | L=255 | 7762-1330 | 1 | 1 | 1 | 1 | 1 | 1 | |
| 14 | COPPER TUBE (A) - EXP. VALVE | COPPER | 453906-01 | 1 | 1 | 1 | 1 | 1 | 1 | |
| 15 | COPPER TUBE (B) - EXP. VALVE | COPPER | 453907-01 | 1 | 1 | 1 | 1 | - | | |
| 16 | TEE | 111R-642 | 436000-08 | 1 | 1 | 1 | 1 | 1 | 1 | |
| | | | | | | | | | | |
| | | | | | | | | | | |
| | | | | | | | | | | |
| | | | | | | | | | | |
| | | | | | | | | | | |
| | | | | | | | | | | |
| | | | | | | | | | | |
| | | | | | | | | | | |
| | | | | | | | | | | |
| | | | | | | | | | | |

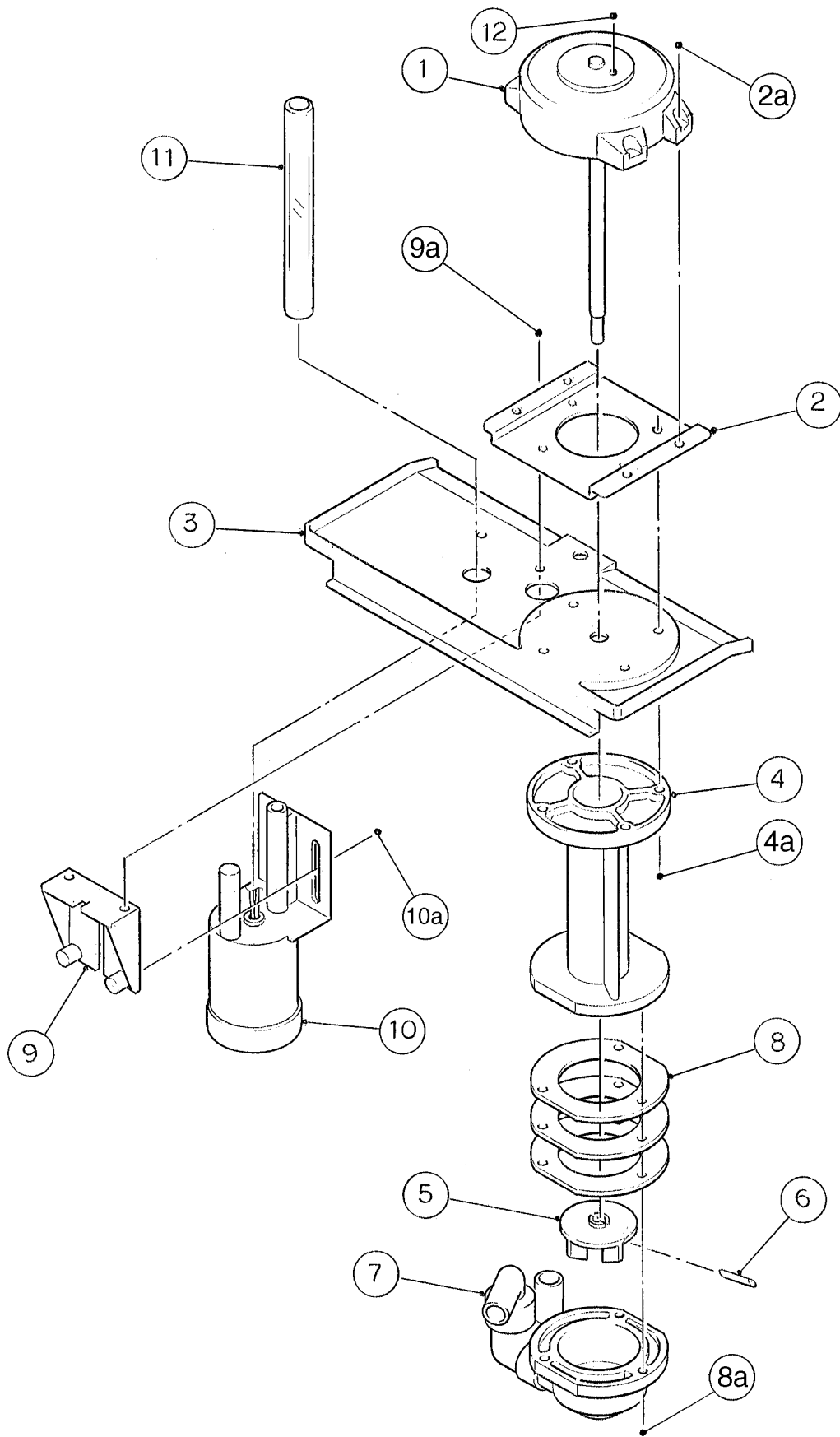


HA

KM-150BAF, BWF

H. PUMP MOTOR ASSEMBLY

K-0, L-0, L-1, M-0



| MODEL: KM-150BAF TITLE: H. PUMP MOTOR ASSEMBLY | | | | | | | | | | |
|--------------------------------------------------------------|-----------------------|--------------------------|-------------|-----------------|-----|-----|-----|-----|------------|------------|
| INDEX NO. | DESCRIPTION | MATERIAL OR MODEL NUMBER | PART NUMBER | REQUIRED NUMBER | | | | | | |
| | | | | G-0 | H-0 | H-1 | H-2 | J-0 | K-0 L-0 | L-1 M-0 |
| 1 | PUMP MOTOR | - | 3U0153-01 | 1 | 1 | 1 | 1 | 1 | 1 | 1 |
| 2 | BRACKET - PM | SS | 452662-01 | 1 | 1 | 1 | 1 | 1 | 1 | 1 |
| 2a | TRUSS HEAD SCREW | 4X12, SS | 7C32-0412 | 4 | 4 | 4 | 4 | 4 | x4 | |
| | | 4X16, SS | 7C32-0416 | | | | | | o4 | 4 |
| 3 | PUMP MOTOR BRACKET | JSR CB40 | 105926-01 | 1 | 1 | 1 | 1 | 1 | 1 | 1 |
| 4 | PUMP SHAFT COVER | JSR 86K1 | 216281-01 | 1 | 1 | 1 | 1 | 1 | 1 | 1 |
| 4a | TRUSS HEAD SCREW | 4X16, SS | 7C32-0416 | 4 | 4 | 4 | 4 | 4 | 4 | 4 |
| 5 | IMPELLER | ABS | 433522-01 | 1 | 1 | 1 | 1 | 1 | 1 | 1 |
| 6 | PIN | SS | 414102-01 | 1 | 1 | 1 | 1 | 1 | 1 | 1 |
| 7 | PUMP HOUSING ASSEMBLY | ABS | 338867G01 | 1 | 1 | 1 | 1 | 1 | 1 | 1 |
| 8 | PUMP GASKET | EPDM | 452663-01 | 1 | 1 | 1 | 1 | 1 | 3 | 3 |
| 8a | T2 SCREW | 4x12, SS | 7C32-0412 | 3 | x3 | | | | | |
| | | 4X16, SS | 7C32-0416 | | o3 | 3 | 3 | 3 | x3 | |
| | | 4X20, SS | 7C32-0420 | | | | | | o3 | 3 |
| 9 | FLOAT SWITCH BRACKET | ABS | 327757-01 | 1 | 1 | 1 | 1 | 1 | 1 | 1 |
| 9a | T2 SCREW | 4X12, SS | 7P32-0412 | 2 | 2 | 2 | 2 | 2 | 2 | 2 |
| 10 | FLOAT SWITCH | 163795 | 4A0886-01 | 1 | 1 | 1 | 1 | 1 | 1 | 1 |
| 10a | T2 SCREW | 4X8, SS | 7P32-0408 | 2 | 2 | 2 | 2 | 2 | 2 | 2 |
| 11 | VINYL HOSE | L=150 | 7716-1216 | 1 | 1 | 1 | 1 | 1 | 1 | 1 |
| 12 | TRUSS HEAD SCREW | 3X6 | 7C31-0306 | 1 | 1 | 1 | 1 | 1 | 1 | 1 |
| | | | | | | | | | | |
| | | | | | | | | | | |
| | | | | | | | | | | |
| | | | | | | | | | | |
| | | | | | | | | | | |
| | | | | | | | | | | |
| | | | | | | | | | | |
| | | | | | | | | | | |
| | | | | | | | | | | |

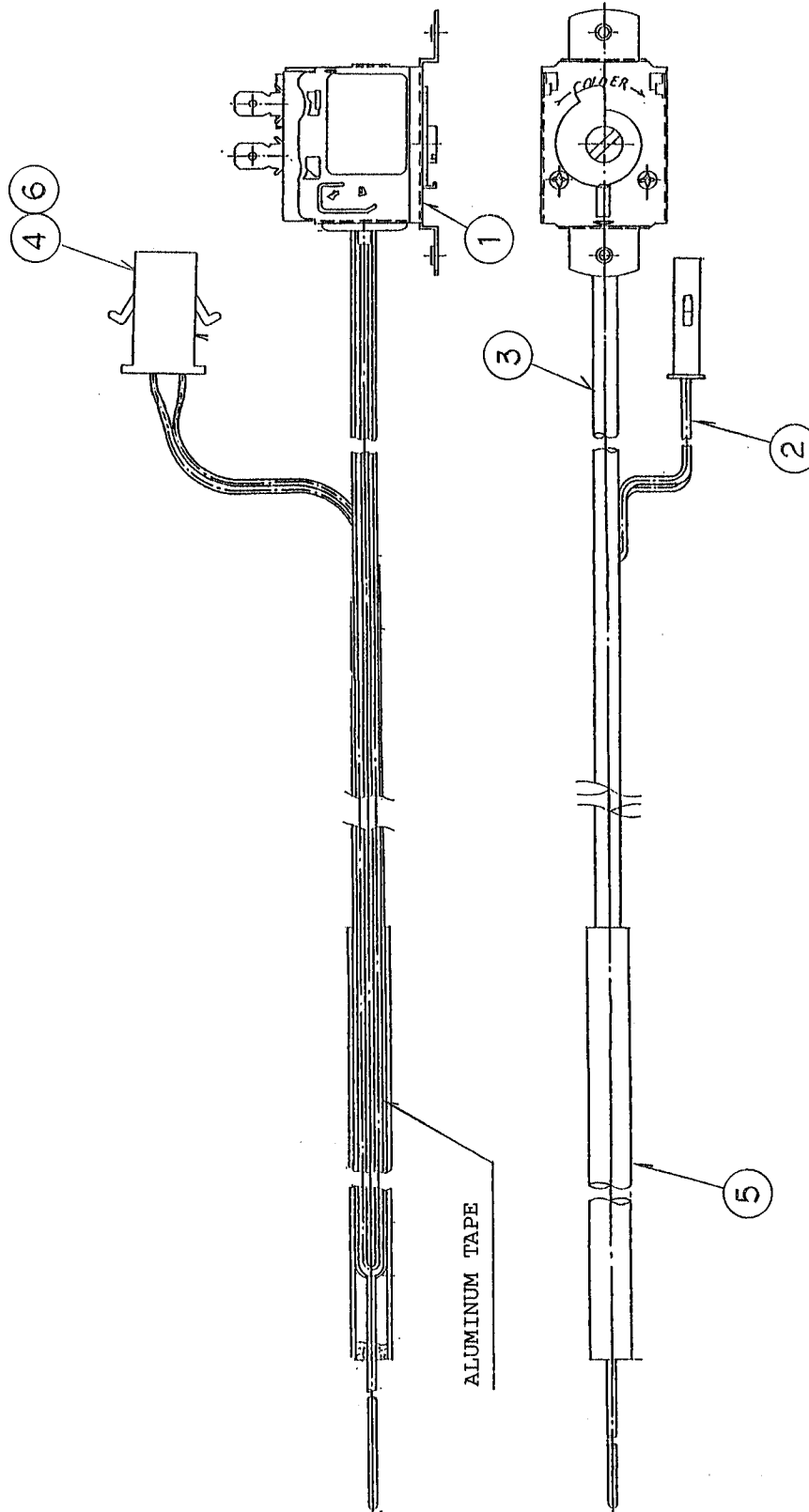
| MODEL: KM-150BWF TITLE: H. PUMP MOTOR ASSEMBLY | | | | | | | | | | |
|------------------------------------------------|-----------------------|--------------------------|-------------|-----------------|-----|-----|-----|-----|------------|--|
| INDEX NO. | DESCRIPTION | MATERIAL OR MODEL NUMBER | PART NUMBER | REQUIRED NUMBER | | | | | | |
| | | | | H-2 | H-3 | J-0 | K-0 | L-0 | L-1 M-0 | |
| 1 | PUMP MOTOR | - | 3U0153-01 | 1 | 1 | 1 | 1 | 1 | 1 | |
| 2 | BRACKET - PM | SS | 452662-01 | 1 | 1 | 1 | 1 | 1 | 1 | |
| 2a | TRUSS HEAD SCREW | 4X12, SS | 7C32-0412 | 4 | 4 | 4 | x4 | | | |
| | | 4X16, SS | 7C32-0416 | | | | o4 | 4 | 4 | |
| 3 | PUMP MOTOR BRACKET | JSR CB40 | 105926-01 | 1 | 1 | 1 | 1 | 1 | 1 | |
| 4 | PUMP SHAFT COVER | JSR 86K1 | 216281-01 | 1 | 1 | 1 | 1 | 1 | 1 | |
| 4a | TRUSS HEAD SCREW | 4X16, SS | 7C32-0416 | 4 | 4 | 4 | 4 | 4 | 4 | |
| 5 | IMPELLER | ABS | 433522-01 | 1 | 1 | 1 | 1 | 1 | 1 | |
| 6 | PIN | SS | 414102-01 | 1 | 1 | 1 | 1 | 1 | 1 | |
| 7 | PUMP HOUSING ASSEMBLY | ABS | 338867G01 | 1 | 1 | 1 | 1 | 1 | 1 | |
| 8 | PUMP GASKET | EPDM | 452663-01 | 1 | 1 | 1 | 3 | 1 | 3 | |
| 8a | T2 SCREW | 4X16, SS | 7P32-0416 | 3 | 3 | 3 | x3 | | | |
| | | 4X20, SS | 7P32-0420 | | | | o3 | 3 | 3 | |
| 9 | FLOAT SWITCH BRACKET | ABS | 327757-01 | 1 | 1 | 1 | 1 | 1 | 1 | |
| 9a | T2 SCREW | 4X12, SS | 7P32-0412 | 2 | 2 | 2 | 2 | 2 | 2 | |
| 10 | FLOAT SWITCH | 163795 | 4A0886-01 | 1 | 1 | 1 | 1 | 1 | 1 | |
| 10a | T2 SCREW | 4X8, SS | 7P32-0408 | 2 | 2 | 2 | 2 | 2 | 2 | |
| 11 | VINYL HOSE | L=150 | 7716-1216 | 1 | 1 | 1 | 1 | 1 | 1 | |
| 12 | TRUSS HEAD SCREW | 3X6 | 7C31-0306 | 1 | 1 | 1 | 1 | 1 | 1 | |
| | | | | | | | | | | |
| | | | | | | | | | | |
| | | | | | | | | | | |
| | | | | | | | | | | |
| | | | | | | | | | | |
| | | | | | | | | | | |
| | | | | | | | | | | |
| | | | | | | | | | | |
| | | | | | | | | | | |
| | | | | | | | | | | |

HA

KM-150BAF, BWF

J. THERMOSTAT ASSEMBLY

G-0, H-0, H-1,
H-2, H-3, J-0,
K-0, L-0, L-1
M-0



HA
KM-150BAF, BWF

K. ACCESSORIES

G-0, H-0, H-1,
H-2, H-3, J-0,
K-0, L-0, L-1
M-0

