

# Hoshizaki America, Inc.

## Stackable Crescent Cuber

### Models

KM-1400SWH/3-M



“A Superior Degree  
of Reliability”

[www.hoshizaki.com](http://www.hoshizaki.com)

## PARTS LIST



Number: 71332  
Issued: 7-7-2011

## CONTENTS

Auxiliary Codes.....	3
Note About Ordering Parts .....	3
A. Ice Cuber Assembly & Refrigeration Circuit .....	4
B. Water Circuit .....	7
C. Control Box Assembly .....	10
D. Label Location .....	11
E. Accessories & Packaging .....	13

## Auxiliary Codes

<b>KM-1400SWH-M</b>	V-0	June 2010
	A-0	April 2011
<b>KM-1400SWH3-M</b>	V-0	June 2010
	A-0	February 2011

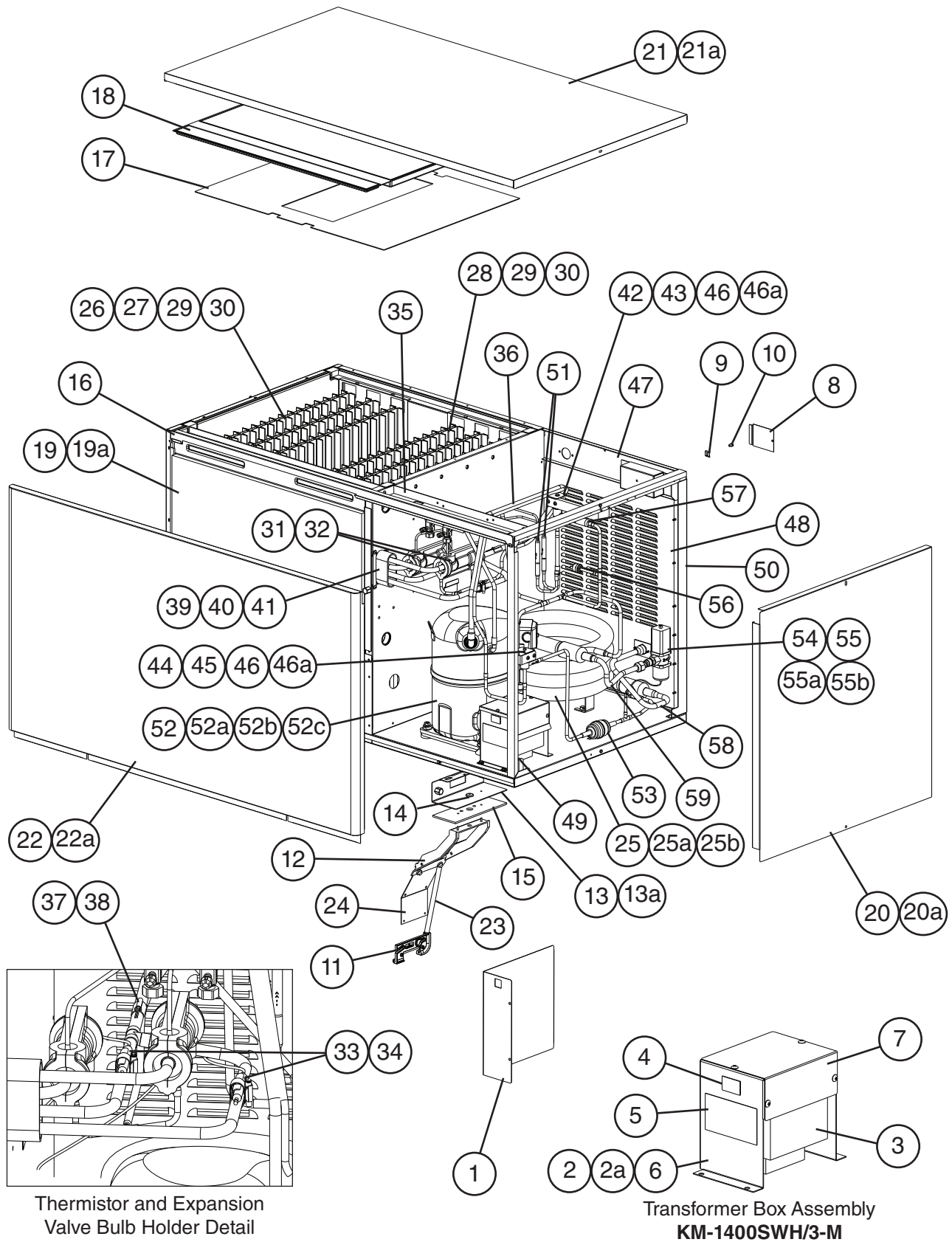
## Auxiliary Code Breakdown

The auxiliary code is the first two characters in the serial number. The first character indicates the year. Years progress or regress in alphabetical order. The series runs from "A" through "V" and the letters "I" and "O" are skipped. The second character indicates significant part changes within a year. Base is "0" and this number advances for each change. In cases where there is a letter in parentheses, this designates the month. This is the last character in the serial number. The series runs from "(A)" through "(M)" and the letter "(I)" is skipped. This designation is only included when identifying a parts change within an auxiliary code.

## Note About Ordering Parts

Most assemblies cannot be ordered as complete units; parts in the assemblies generally must be ordered separately.

**A. Ice Cuber Assembly & Refrigeration Circuit**  
**KM-1400SWH/3-M**  
 V-0, A-0



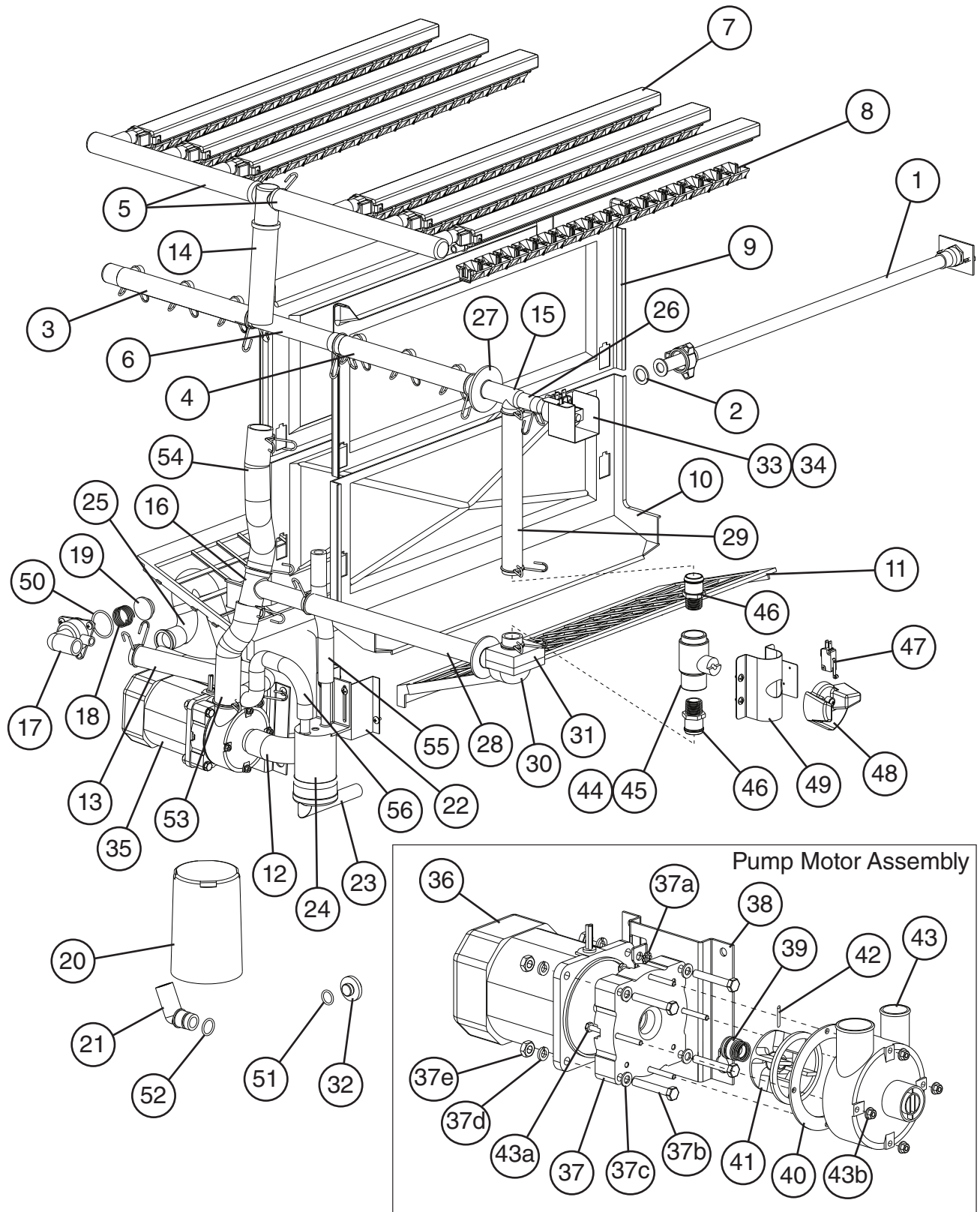
Thermistor and Expansion  
 Valve Bulb Holder Detail

Transformer Box Assembly  
**KM-1400SWH/3-M**

Title: <b>A. Ice Cuber Assembly &amp; Refrigeration Circuit</b> Model: <b>KM-1400SWH/3-M</b>														
Index No.	Description	Material or Model Number	Part Number	Required Number										
				V-0 A-0										
<b>Ice Cuber Assembly</b>		<b>KM-1400SWH-M</b>	1A2068A01	1										
<b>Order Assembly Parts Individually</b>		<b>KM-1400SWH3-M</b>	1A1756A02	1										
1	Control Box Cover		3A4065-01	1										
2	Transformer Box Assembly (includes items 3 through 7)		3A1102A02	1										
2a	Hex Head Bolt w/Washer	5x10, SS	7B0230510	4										
3	Transformer		4A0817-01	1										
4	Voltage Tap Switch		4A1477-01	1										
5	Voltage Tap Switch Label		439423-01	1										
6	Transformer Box		3A1101-02	1										
7	Transformer Box Cover		4A4304-01	1										
8	Junction Box Cover		433410-05	1										
9	Square Washer		433537-02	1										
10	Ground Screw		433304-02	1										
11	Bulb Holder		3A3903-01	1										
12	Bulb Holder C		216340G01	1										
13	Bulb Holder D		328742-02	1										
13a	Thumbscrew		415949G12	2										
14	Capillary Ring		425307-01	1										
15	Spacer		439727-01	1										
16	Front Panel Bracket		323903-01	1										
17	Spacer		324321-01	1										
18	Top Insulation		324216G01	1										
19	Front Insulation		324215G01	1										
19a	Thumbscrew		415949G12	1										
20	Right Side Panel		2A2226G01	1										
20a	Hex Head Bolt	4x8, SS	7B02-0408	1										
21	Top Panel		2A2255-01	1										
21a	Hex Head Bolt	4x8, SS	7B02-0408	2										
22	Front Panel		2A2224-01	1										
22a	Hex Head Bolt	4x16, SS	7B02-0416	2										
23	Silicone Hose	L= 285	7730I3812	1										
24	Thermostat Extension Bracket		3A0408-01	1										
<b>Refrigeration Circuit</b>		<b>KM-1400SWH-M</b>	1A1755A01	1										
<b>Order Assembly Parts Individually</b>		<b>KM-1400SWH3-M</b>	1A1755A02	1										
25	Condenser		3A5259-01	1										
25a	Hex Head Bolt	5x14, SS	7B02-0514	3										
25b	Washer	SS	4A0198-01	3										
26	Evaporator (includes items 27 through 30)		104696G03	1										
27	Evaporator Left Bank (includes 3 of item 29)	HS-0208	2A0414G02	1										
28	Evaporator Right Bank (includes 3 of item 29)	HS-0209	2A0415G02	1										
29	Evaporator Plate		103444G01	6										
30	Hook		324152-01	8										

Title: <b>A. Ice Cuber Assembly &amp; Refrigeration Circuit</b> Model: <b>KM-1400SWH/3-M</b>												
Index No.	Description	Material or Model Number	Part Number	Required Number								
				V-0	A-0							
31	Expansion Valve		4A1482-01	2								
32	Expansion Valve Cover		3A0944-01	2								
33	Expansion Valve Bulb Holder		3A0107-01	2								
34	Clamp		443461-02	2								
35	Front Frame		3A4635-02	1								
36	Heat Exchanger		2A4816G01	1								
37	Thermistor		429006-03	1								
38	Thermistor Holder		427430-01	1								
39	Insulation Holder		3A0979-01	1								
40	Insulated Rubber Tube		323975G01	1								
41	Insulation		436671-01	1								
42	Hot Gas Valve Bracket		442162-02	1								
43	Hot Gas Valve Body		4A3978-01	1								
44	Liquid Line Valve Bracket		4A1406-02	1								
45	Liquid Line Valve Body		4A3276-01	1								
46	Valve Coil (includes 1 of item 46a)		4A3277-01	2								
46a	Bolt		4A3277F01	2								
47	Rear Frame		439285G05	1								
48	Rear Panel		2A3856-01	1								
49	Side Frame A		219472G02	1								
50	Side Frame B		3A3027-02	1								
51	Check Valve		4A1373-01	2								
52	Compressor	KM-1400SWH-M	4A4134-01	1								
		KM-1400SWH3-M	4A4135-01	1								
52a	Spacer		434921-01	4								
52b	Grommet		434922-01	4								
52c	Bolt	8x45	437889-01	4								
53	Drier		4A2666-01	1								
54	Male Connector		4A1087-01	1								
55	Water Regulator		4A0911-07	1								
55a	Washer	SS	4A4786-01	2								
55b	Hex Head Bolt	4x8, SS	7B02-0408	2								
56	High-Pressure Switch		463180-05	1								
57	Strainer		441569-02	1								
58	Copper Tube A		3A5263G01	1								
59	Copper Tube B		3A5264G01	1								

**B. Water Circuit**  
**KM-1400SWH/3-M**  
 V-0, A-0



Title: **B. Water Circuit** Model: **KM-1400SWH/3-M**

Index No.	Description	Material or Model Number	Part Number	Required Number																
				V-0	A-0															
<b>Water Circuit</b>			1A1424A03	1																
<b>Order Assembly Parts Individually</b>																				
1	Water Supply Pipe		4A0768G01	1																
2	Rubber Gasket		413854-03	1																
3	Distributor Hose A		325738-01	1																
4	Distributor Hose B		325738-02	1																
5	Distributor Hose C		323985-01	2																
6	Joint Pipe		439297-01	1																
7	Spray Tube		437049G01	6																
8	Spray Guide		208586-01	18																
9	Separator A		213622-01	2																
10	Separator B		2A0100-01	2																
11	Cube Guide		214243-01	2																
12	Hose A		435091-01	1																
13	Hose B		436599-01	1																
14	Distributor		438276G01	1																
15	Distributor B		439239-01	1																
16	Distributor C		439238-01	1																
17	Drain Valve Housing		323613-01	1																
18	Spring		322110-01	1																
19	Valve Seat		433705-01	1																
20	Overflow Cap		323978-01	1																
21	Overflow Joint		323923-02	1																
22	Float Switch Bracket		3A0449-01	1																
23	Float Switch Connector		426799-04	1																
24	Float Switch		4A3624-01	1																
25	Drain Hose		324757-01	1																
26	Joint Hose		439296-01	1																
27	Flange		439267-02	1																
28	Bypass Hose		439237-02	1																
29	Joint Hose		439309-02	1																
30	Corner Insulation A		439376-01	1																
31	Corner Insulation B		439392-01	1																
32	Drain Plug		309246-01	1																
33	Inlet Water Valve		4A5251-02	1																
34	Water Valve Bracket		3A2685-02	1																
35	Pump Motor Assembly (includes items 36 through 43b)	S-0730	215692A03	1																
36	Pump Motor		2U0106-01	1																
37	Pump Flange		215662-01	1																
37a	Tooth Washer	M6, SS	7R22-0600	2																
37b	Hex Head Bolt	6x40, SS	7B02-0640	4																
37c	Flat Washer	M6, SS	7W22-0600	4																
37d	Split Lock Washer	M6, SS	7L22-0600	4																
37e	Hex Nut	M6, SS	7N12-0600	4																
38	Pump Motor Bracket		323904-01	1																
39	Mechanical Seal		4A3820-01	1																
40	Packing		428547-01	1																

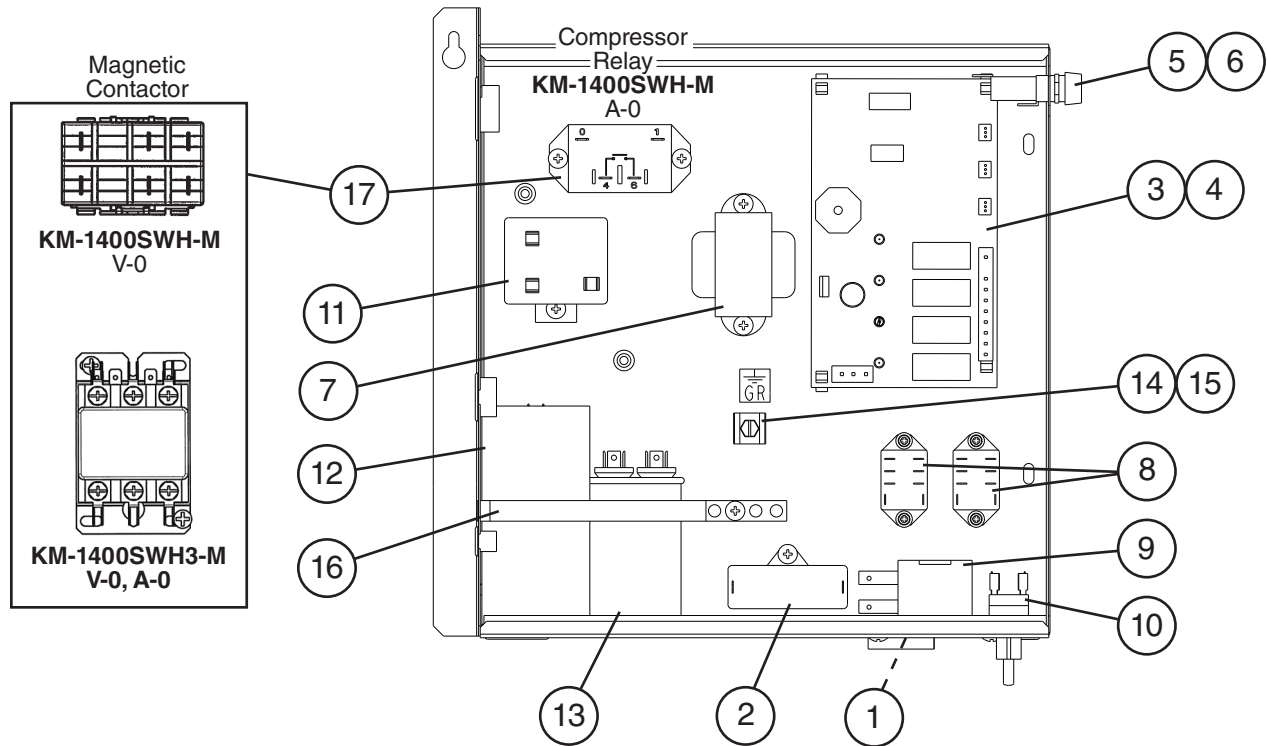


Title: <b>B. Water Circuit</b> Model: <b>KM-1400SWH/3-M</b>												
Index No.	Description	Material or Model Number	Part Number	Required Number								
				V-0	A-0							
41	Impeller		436584-01	1								
42	Pin		4A0648-01	1								
43	Pump Housing		213687-01	1								
43a	Hex Head Bolt	4x55, SS	7B02-0455	4								
43b	Hex Flange Nut	M4, SS	7J02-0400	4								
44	Ball Valve Assembly (includes items 45 and 46)	S-0761	442137A01	1								
45	Ball Valve		439293-01	1								
46	Male Adaptor		325826-01	2								
47	Microswitch		4A2546-01	1								
48	Handle		215383-01	1								
49	Valve Holder		3A1178-02	1								
50	"O" Ring		7611-G035	1								
51	"O" Ring		7611-P015	1								
52	"O" Ring		7611-P018	1								
53	Vinyl Hose	L= 170	7716-2732	1								
54	Vinyl Hose	L= 230	7716-2732	1								
55	Silicone Hose	L= 140	7730I3812	1								
56	Silicone Hose	L= 390	7730I3896	1								
<b>Hose Clamps</b>												
	Hose Clamp	25mm, SS	427443-03	11								
	Hose Clamp	16.5mm, SS	427443-04	1								
	Hose Clamp	13.5mm, SS	427443-07	6								
	Hose Clamp	32mm, SS	427443-09	4								

# C. Control Box Assembly

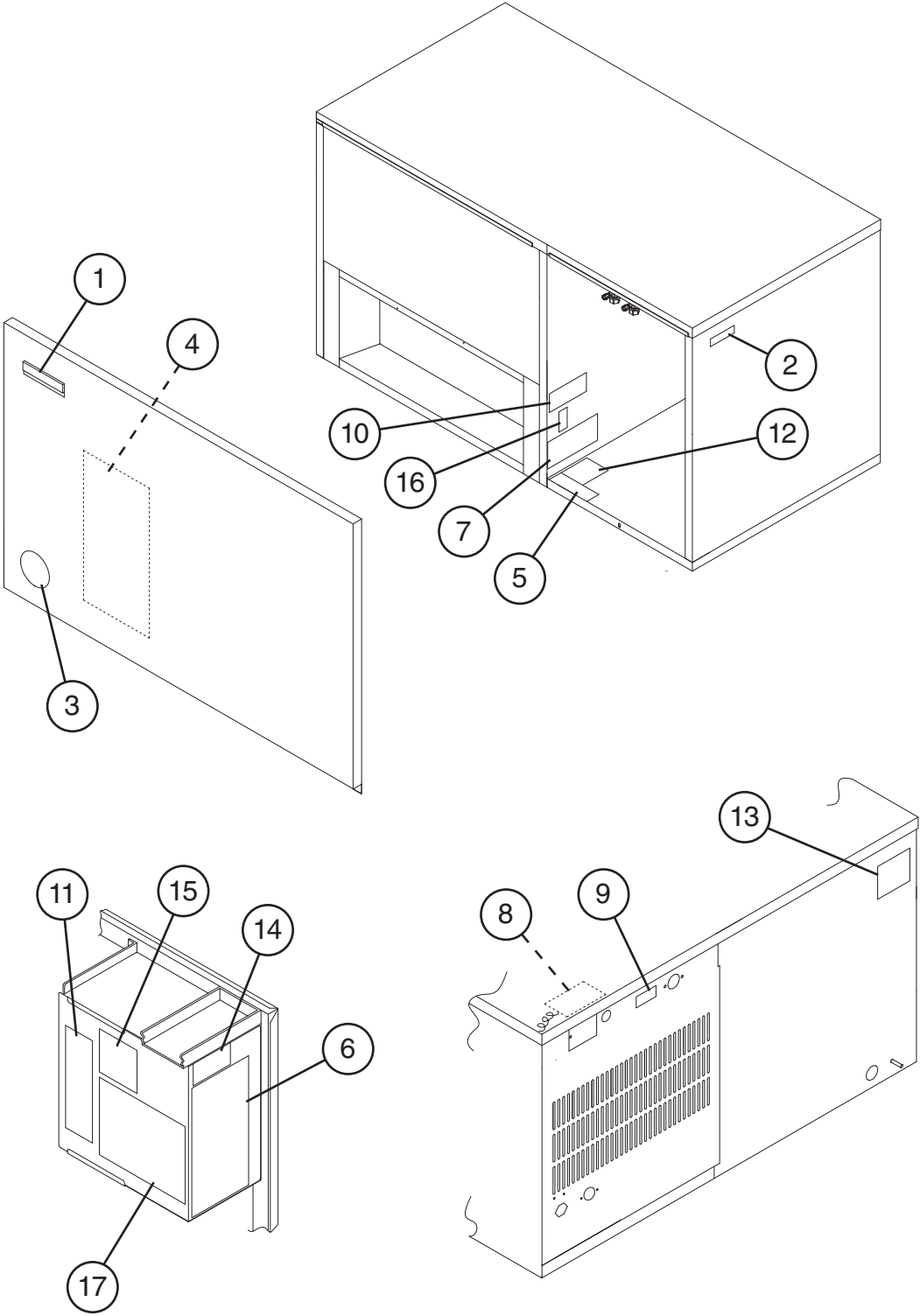
## KM-1400SWH/3-M

V-0, A-0



Title: C. Control Box Assembly Model: KM-1400SWH/3-M										
Index No.	Description	Material or Model Number	Part Number	Required Number						
				V-0	A-0					
<b>Control Box Assembly</b>		<b>KM-1400SWH-M</b>	2A5173A01	1	-					
<b>Order Assembly Parts Individually</b>			2A5173A02		1					
		<b>KM-1400SWH3-M</b>	2A5174A01	1	1					
1	Control Label		4A1758-01	1	1					
2	Pump Motor Capacitor	10MFD, 250VAC	443192-01	1	1					
3	"G" Control Board		2A3792-01	1	1					
4	Board Support		4A0336-03	4	4					
5	Fuse		4A0893-07	1	1					
6	Fuse Holder		4A3449-01	1	1					
7	Control Transformer		3A0172-01	1	1					
8	Harvest Pump Timer Relays		406132-07	2	2					
9	Thermostat		4A2879-02	1	1					
10	Power Switch		443119-01	1	1					
11	Start Relay	<b>KM-1400SWH-M</b>	4A1107-13	1	1					
12	Start Capacitor	<b>KM-1400SWH-M</b> 145-174MFD, 220VAC	3A0076-11	1	1					
13	Run Capacitor	<b>KM-1400SWH-M</b> 30MFD, 370VAC	3A2005-03	1	1					
14	Ground Screw		433304-02	1	1					
15	Square Washer		433537-02	1	1					
16	Strap	<b>KM-1400SWH-M</b>	4A2262-07	1	1					
17	Magnetic Contactor	<b>KM-1400SWH-M</b>	428393-01	1	-					
	Compressor Relay		4A3140-01		1					
	Magnetic Contactor	<b>KM-1400SWH3-M</b>	4A0794-02	1	1					

**D. Label Location**  
**KM-1400SWH/3-M**  
V-0, A-0



Title: <b>D. Label Location</b> Model: <b>KM-1400SWH/3-M</b>												
Index No.	Description	Material or Model Number	Part Number	Required Number								
				V-0	A-0							
<b>Label Location Order Assembly Parts Individually</b>		<b>KM-1400SWH-M</b>	2A3882A01	1	-							
			2A3882A03		1							
		<b>KM-1400SWH3-M</b>	2A3882A02	1	1							
1	Emblem		4A0560-01	1	1							
2	Vessel Label		4A4006-01	1	1							
3	Penguin Label		4A0526-01	1	1							
4	Maintenance Label		2A5032-01	1	1							
5	Warning Label K		4A4736-01	1	1							
6	Manual Label		4A4839-01	1	1							
7	Bin Control Manual Label		3A4841-01	1	1							
8	Warning Tag: Electrical Connection	<b>KM-1400SWH-M</b>	4A4741-01	1	1							
		<b>KM-1400SWH3-M</b>	4A4807-01	1	1							
9	Instruction Label		444575-01	1	1							
10	Valve Operation Label		4A4828-01	1	1							
11	Control Board Label		3A4799-01	1	1							
12	Rating Label	<b>KM-1400SWH-M</b>	1A1591-07	1	1							
		<b>KM-1400SWH3-M</b>	1A1591-08	1	1							
13	Nameplate	<b>KM-1400SWH-M</b>	1A1590-08	1	1							
		<b>KM-1400SWH3-M</b>	1A1590-09	1	1							
14	Fuse Label		4A4829-01	1	1							
15	Alarm Label		4A4737-01	1	1							
16	Process Valve Label		4A3943-01	1	1							
17	Wiring Label	<b>KM-1400SWH-M</b>	3A5604-01	1	-							
			3A6180-01		1							
		<b>KM-1400SWH3-M</b>	3A5605-01	1	1							

**E. Accessories & Packaging**  
**KM-1400SWH/3-M**  
 V-0, A-0

Title: <b>E. Accessories &amp; Packaging</b> Model: <b>KM-1400SWH/3-M</b>												
Index No.	Description	Material or Model Number	Part Number	Required Number								
				V-0	A-0							
1	Universal Brace		4A0363-02	2								
1a	Hex Head Bolt	5x12, SS	7B02-0512	4								
2	Instruction Manual		91A7DH10A	1								
	Packaging		2A0876A11									