



# HOSHIZAKI

## Parts List

Modular Crescent Cuber

Models

KM-I340MAJ, MWJ, MRJ/3



[hoshizakiamerica.com](http://hoshizakiamerica.com)

Number: 71393  
Issued: 7-14-2017

## CONTENTS

Auxiliary Codes.....	3
Note About Ordering Parts .....	3
A. Main Assembly & Refrigeration Circuit .....	4
KM-1340MAJ.....	4
KM-1340MWJ.....	6
KM-1340MRJ/3 .....	8
B. Water Circuit .....	10
C. Control Box Assembly .....	13
D. Accessories & Labels .....	15

## **Auxiliary Codes**

### **KM-1340MAJ**

G-0 July 2017

### **KM-1340MRJ**

G-0 July 2017

### **KM-1340MWJ**

G-0 July 2017

### **KM-1340MRJ3**

G-0 July 2017

## **Auxiliary Code Breakdown**

The auxiliary code is the first two characters in the serial number. The first character indicates the year. Years progress or regress in alphabetical order. The series runs from "A" through "V" and the letters "I" and "O" are skipped. The second character indicates significant part changes within a year. Base is "0" and this number advances for each change. In cases where there is a letter in parentheses, this designates the month. This is the last character in the serial number. The series runs from "(A)" through "(M)" and the letter "(I)" is skipped. This designation is only included when identifying a parts change within an auxiliary code.

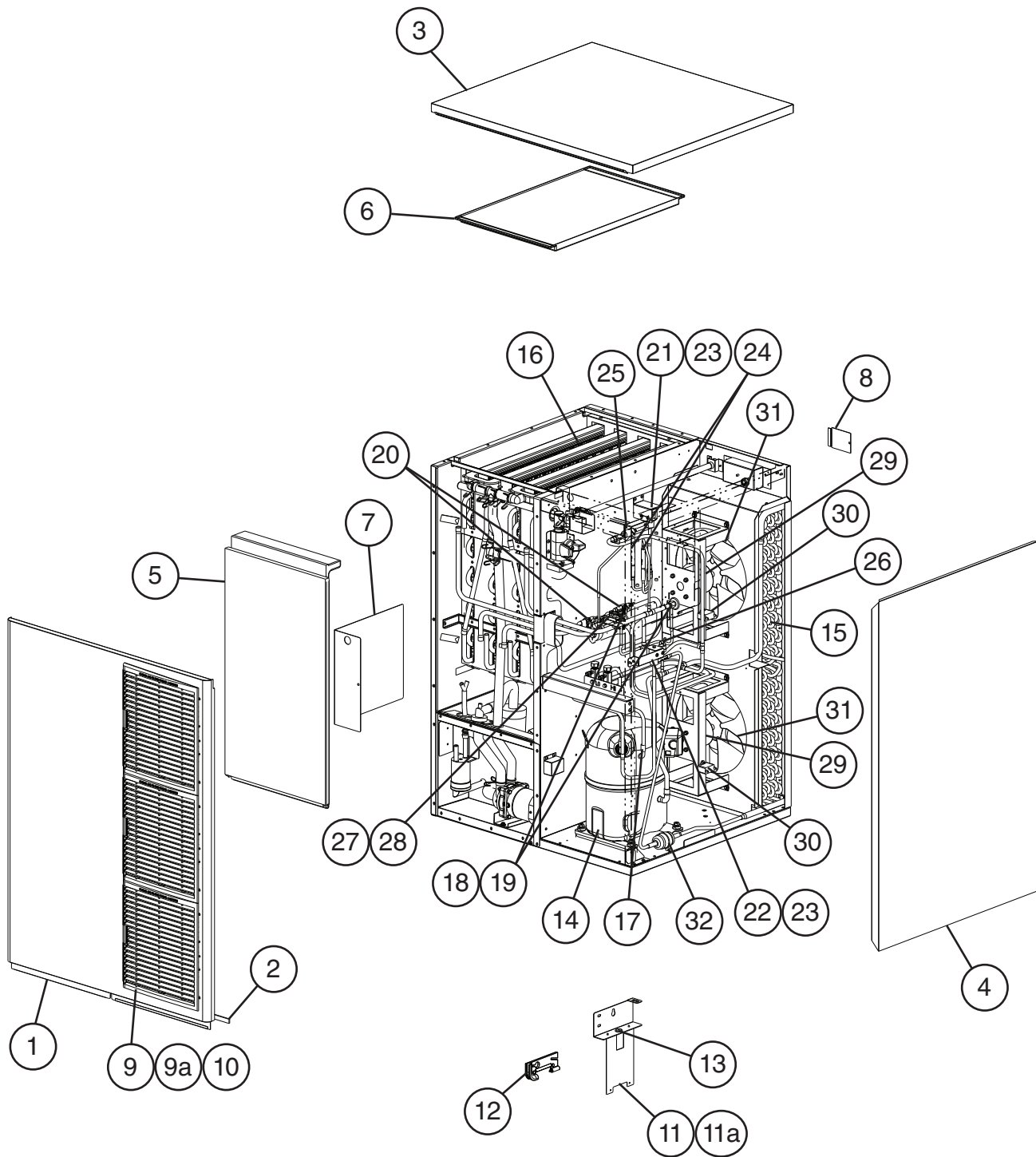
## **Note About Ordering Parts**

Most assemblies cannot be ordered as complete units; parts in the assemblies generally must be ordered separately.

# A. Main Assembly & Refrigeration Circuit

## KM-1340MAJ

G-0

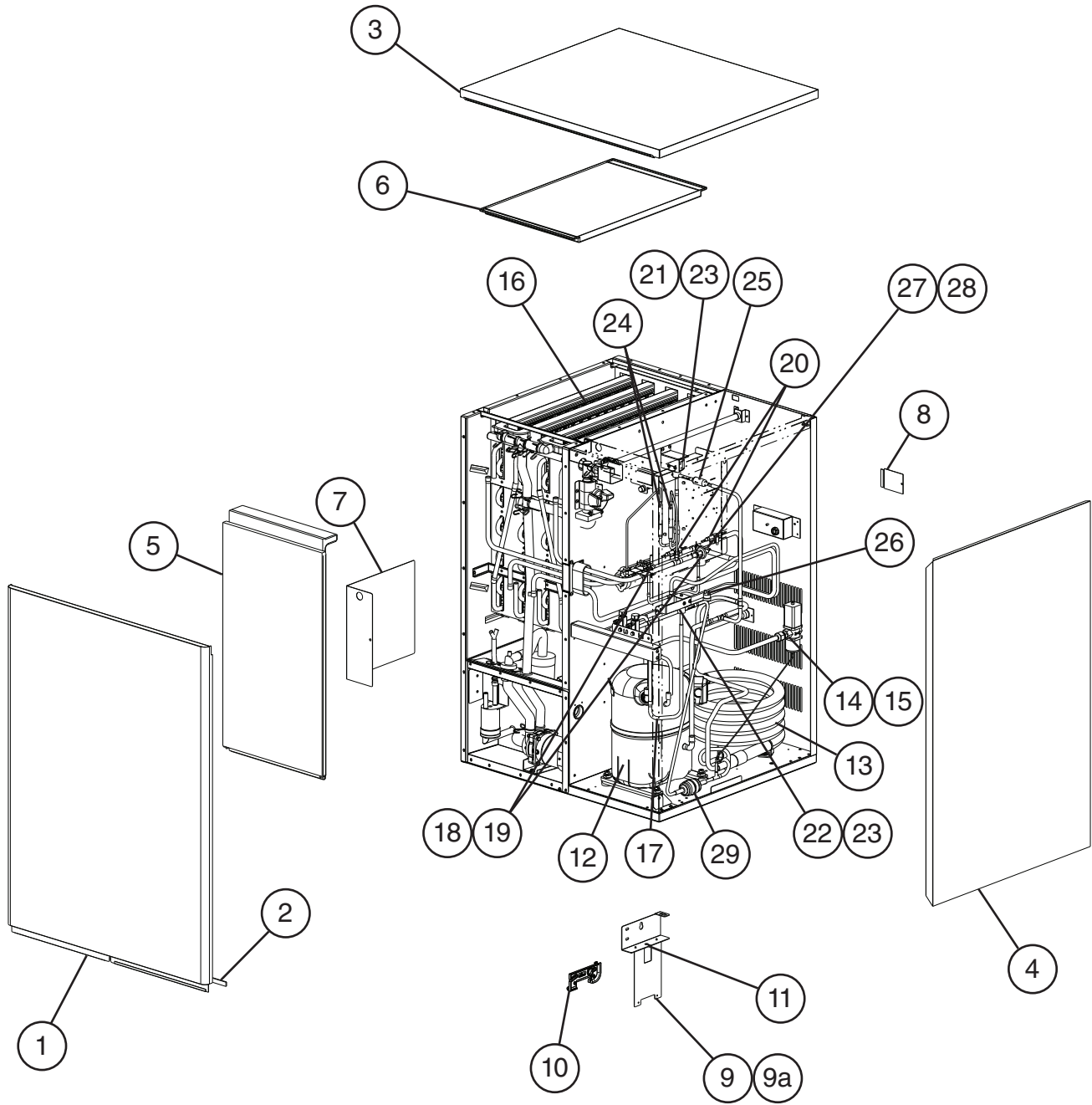


Title: A. Main Assembly & Refrigeration Circuit Model: KM-1340MAJ												
Index No.	Description	Material or Model Number	Part Number	Required Number								
				G-0								
<b>Main Assembly</b>												
1	Front Panel		2A2164-01	1								
2	Gasket	L=762 mm	4A0808L02	1								
3	Top Panel		3A1941A01	1								
4	Right Side Panel		2A2165G01	1								
5	Front Insulation		322711G01	1								
6	Top Insulation		322714G01	1								
7	Control Box Cover		3A2386-01	1								
8	Junction Box Cover		433410-01	1								
9	Louver		1A0547-01	3								
9a	Push Retainer		4A2414-01	9								
10	Air Filter		2A2062G01	3								
11	Bulb Holder Bracket		322815G02	1								
11a	Thumbscrew		415949G10	2								
12	Bulb Holder		3A3903-01	1								
13	Capillary Ring		425307-02	1								
<b>Refrigeration Circuit</b>												
14	Compressor		4A4134-03	1								
15	Condenser		1A1093-01	1								
16	Evaporator Assembly		1A4309G01	1								
17	Heat Exchanger		1A4552G01	1								
18	Thermostatic Expansion Valve		4A1482-01	2								
19	Thermostatic Expansion Valve Cover		3A0944-01	2								
20	Thermostatic Expansion Valve Bulb Holder		3A0107-01	2								
21	Hot Gas Valve Body		4A3978-01	1								
22	Liquid Line Valve Body		4A3276-01	1								
23	Valve Coil		4A3277-01	2								
24	Check Valve		4A1373-01	2								
25	Strainer		441569-02	1								
26	High-Pressure Switch		463180-04	1								
27	Thermistor		429006-03	1								
28	Thermistor Holder		427430-01	1								
29	Fan Motor		4A3158-01	2								
30	Fan Motor Capacitor	5MFD, 250VAC	443192-02	2								
31	Fan Blade		4A3959-01	2								
32	Drier		4A2666-01	1								

# A. Main Assembly & Refrigeration Circuit

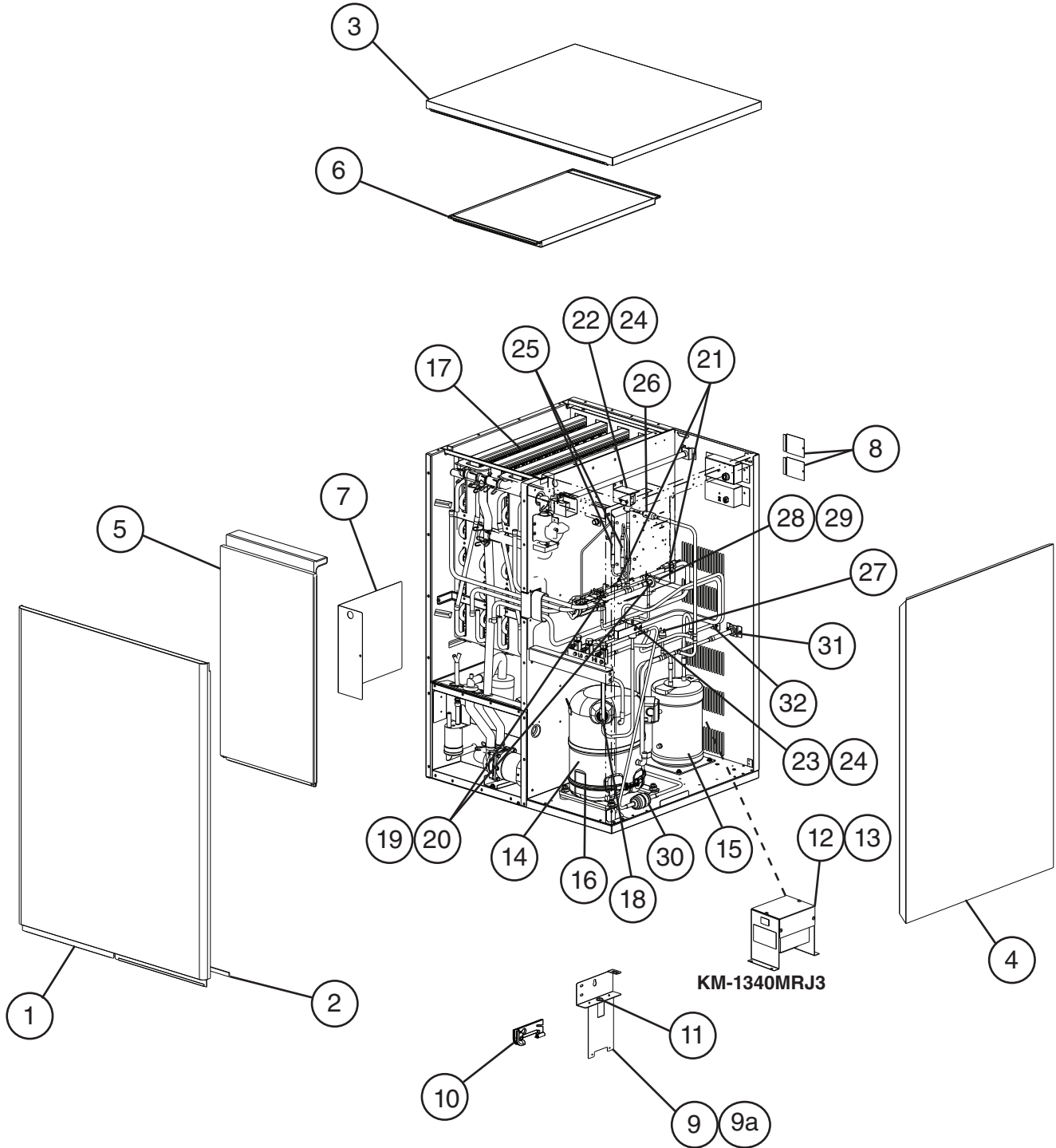
## KM-1340MWJ

G-0



Title: A. Main Assembly & Refrigeration Circuit Model: KM-1340MWJ												
Index No.	Description	Material or Model Number	Part Number	Required Number								
				G-0								
<b>Main Assembly</b>												
1	Front Panel		2A2164-02	1								
2	Gasket	L=762 mm	4A0808L02	1								
3	Top Panel		3A1941A01	1								
4	Right Side Panel		2A2165G01	1								
5	Front Insulation		322711G01	1								
6	Top Insulation		322714G01	1								
7	Control Box Cover		3A2386-01	1								
8	Junction Box Cover		433410-01	1								
9	Bulb Holder Bracket		322815G02	1								
9a	Thumbscrew		415949G10	2								
10	Bulb Holder		3A3903-01	1								
11	Capillary Ring		425307-02	1								
<b>Refrigeration Circuit</b>												
12	Compressor		4A4134-03	1								
13	Condenser		3A7236-01	1								
14	Water Regulating Valve		4A0911-07	1								
15	Male Connector		4A1087-01	1								
16	Evaporator Assembly		1A4309G01	1								
17	Heat Exchanger		1A4595G01	1								
18	Thermostatic Expansion Valve		4A1482-01	2								
19	Thermostatic Expansion Valve Cover		3A0944-01	2								
20	Thermostatic Expansion Valve Bulb Holder		3A0107-01	2								
21	Hot Gas Valve Body		4A3978-01	1								
22	Liquid Line Valve Body		4A3276-01	1								
23	Valve Coil		4A3277-01	2								
24	Check Valve		4A1373-01	2								
25	Strainer		441569-02	1								
26	High-Pressure Switch		463180-05	1								
27	Thermistor		429006-03	1								
28	Thermistor Holder		427430-01	1								
29	Drier		4A2666-01	1								

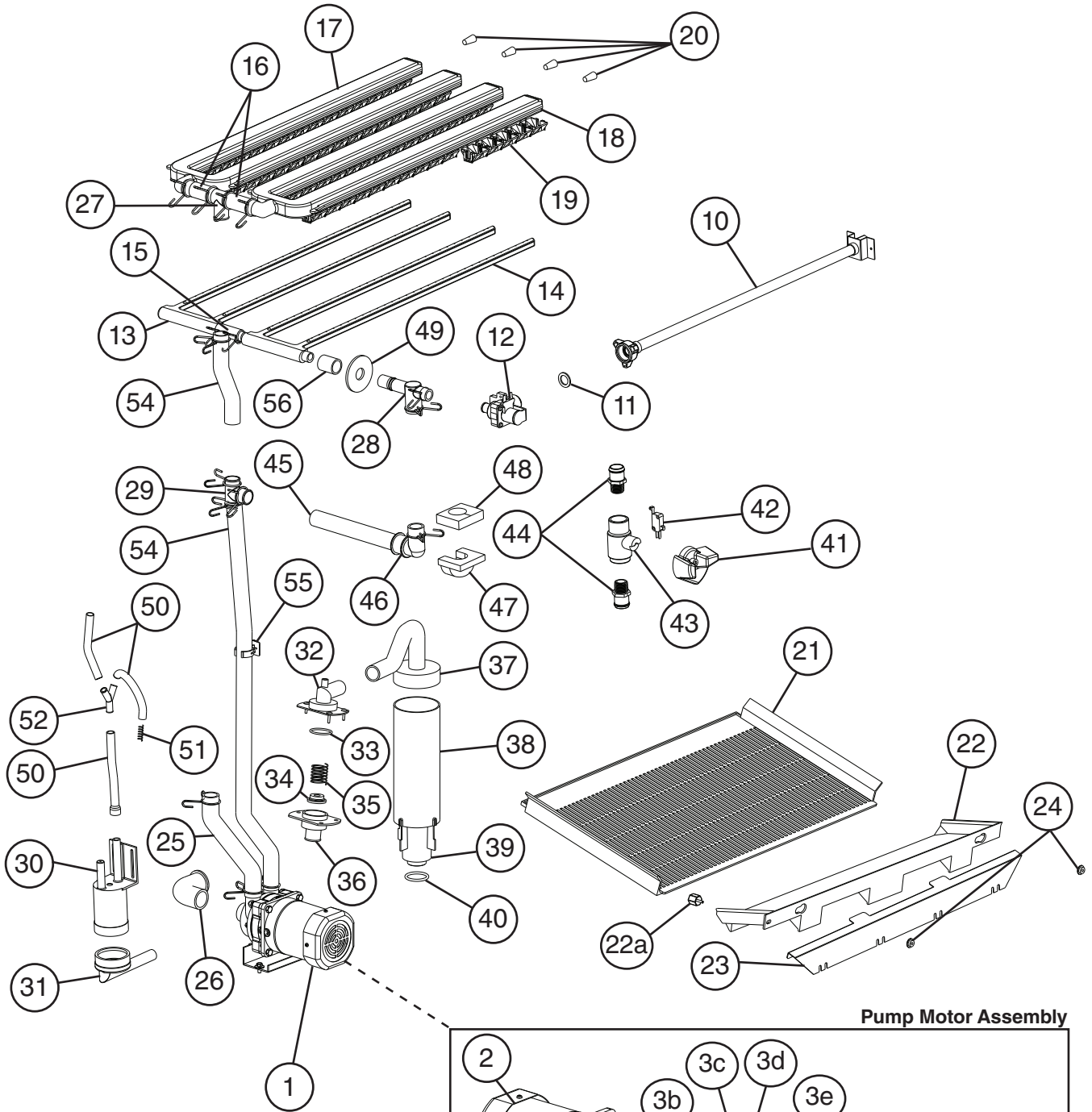
**A. Main Assembly & Refrigeration Circuit**  
**KM-1340MRJ/3**  
 G-0



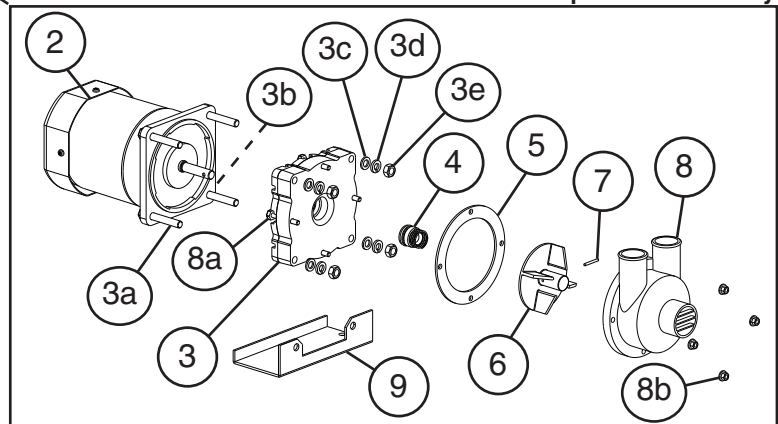


Title: A. Main Assembly & Refrigeration Circuit Model: KM-1340MRJ/3												
Index No.	Description	Material or Model Number	Part Number	Required Number								
				G-0								
<b>Main Assembly</b>												
1	Front Panel		2A2164-02	1								
2	Gasket	L=762 mm	4A0808L02	1								
3	Top Panel		3A1941A01	1								
4	Right Side Panel		2A2165G01	1								
5	Front Insulation		322711G01	1								
6	Top Insulation		322714G01	1								
7	Control Box Cover		3A2386-01	1								
8	Junction Box Cover		433410-01	2								
9	Bulb Holder Bracket		322815G02	1								
9a	Thumbscrew		415949G10	2								
10	Bulb Holder		3A3903-01	1								
11	Capillary Ring		425307-02	1								
12	Main Transformer	KM-1340MRJ3	4A5695-01	1								
13	Voltage Tap Switch		4A1477-01	1								
<b>Refrigeration Circuit</b>												
14	Compressor		4A4135-03	1								
15	Receiver		437652-01	1								
16	Crankcase Heater		4A5397-02	1								
17	Evaporator Assembly		1A4309G01	1								
18	Heat Exchanger		1A4595G01	1								
19	Thermostatic Expansion Valve		4A1482-01	2								
20	Thermostatic Expansion Valve Cover		3A0944-01	2								
21	Thermostatic Expansion Valve Bulb Holder		3A0107-01	2								
22	Hot Gas Valve Body		4A3978-01	1								
23	Liquid Line Valve Body		4A3276-01	1								
24	Valve Coil		4A3277-01	2								
25	Check Valve		4A1373-01	2								
26	Strainer		441569-02	1								
27	High-Pressure Switch		463180-04	1								
28	Thermistor		429006-03	1								
29	Thermistor Holder		427430-01	1								
30	Drier		4A2666-01	1								
31	Discharge Line Coupling		434072-01	1								
32	Liquid Line Coupling		426554-01	1								

**B. Water Circuit**  
**KM-1340M\_J/3**  
 G-0



**Pump Motor Assembly**



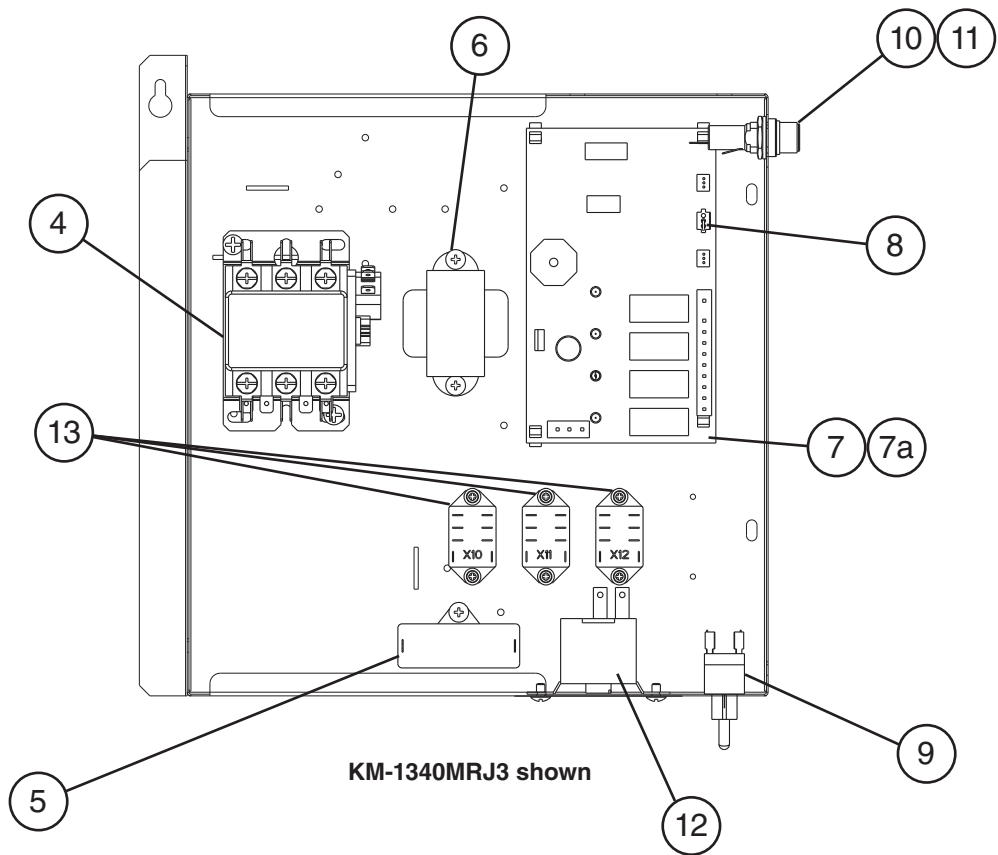
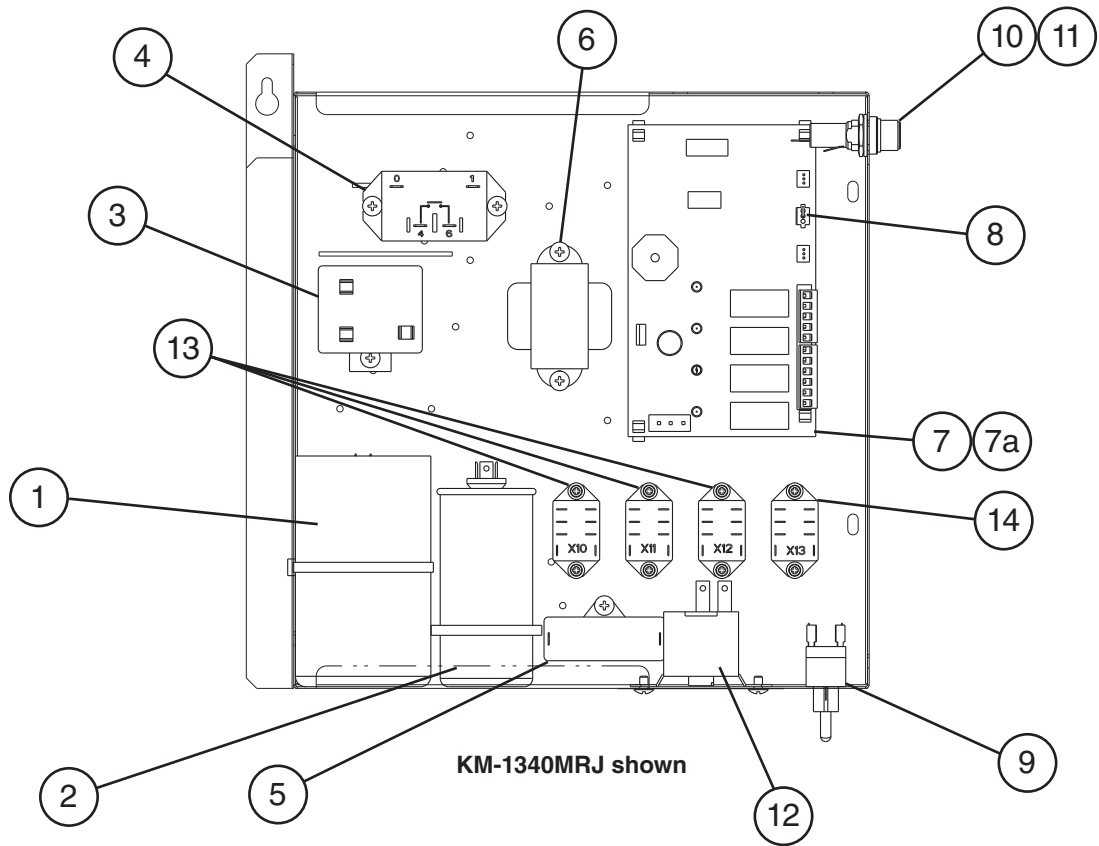
Title: B. Water Circuit Model: KM-1340M_J/3											
Index No.	Description	Material or Model Number	Part Number	Required Number							
				G-0							
1	Pump Motor Assembly (includes items 2 through 9)	S-0731	215693A01	1							
2	Pump Motor		3A7682-01	1							
3	Pump Flange		215662-01	1							
3a	Hex Head Bolt	6x40, SS	7B02-0640	4							
3b	Tooth Washer	M6, SS	7R22-0600	1							
3c	Hex Nut	M6, SS	7N12-0600	4							
3d	Split Lock Washer	M6, SS	7L22-0600	4							
3e	Flat Washer	M6, SS	7W22-0600	4							
4	Mechanical Seal		4A3820-01	1							
5	Packing		428547-01	1							
6	Impeller		428548-01	1							
7	Pin	SS	4A0648-01	1							
8	Pump Housing		212636-01	1							
8a	Hexagon Bolt	4x30, SS	7B02-0430	4							
8b	Hex Flange Nut	M4, SS	7J02-0400	4							
9	Pump Motor Bracket		435057-01	1							
10	Water Supply Pipe		4A5216G04	1							
11	Rubber Gasket		413854-03	1							
12	Inlet Water Valve		3U0111-01	1							
13	Left Water Supply Tube		2A0079-01	1							
14	Right Water Supply Tube		2A0079-02	1							
15	Vinyl Hose	L=55 mm	7716-1519	1							
16	Vinyl Hose	L=60 mm	7716-2025	2							
17	Left Spray Tube		1A0260-02	1							
18	Right Spray Tube		1A0260-01	1							
19	Spray Guide		2A4282-02	4							
20	Plug		4A0176-01	4							
21	Cube Guide A		214905-01	1							
22	Cube Guide B		322644-02	1							
22a	Thumbscrew		415949G12	1							
23	Plate		3A0133-01	1							
24	Collar		435269-01	2							
25	Drain Hose		435092-01	1							
26	Inlet Hose A		435091-01	1							
27	Distributor Tee		432426-01	1							
28	Distributor A (Tee)		4A0177-01	1							
29	Distributor B (Tee)		432426-01	2							
30	Float Switch		4A3624-02	1							
31	Float Switch Connector		426799-01	1							
32	Upper Drain Valve Housing		3A1170-01	1							
33	O-Ring		7611-G035	1							
34	Valve Seat		433705-01	1							
35	Spring		322685-01	1							
36	Lower Drain Valve Housing		435054-01	1							
37	Distributor Hose (C)		326655-01	1							
38	Overflow Cap		322816-01	1							
39	Overflow Pipe		322691-01	1							
40	O-Ring		4A1234-01	1							

<b>Title: B. Water Circuit    Model: KM-1340M_J/3</b>												
Index No.	Description	Material or Model Number	Part Number	Required Number								
				G-0								
41	Cleaning Valve Handle		215383-01	1								
42	Cleaning Valve Microswitch		4A2546-01	1								
43	Cleaning Valve Ball Valve	S-0761	439293-01	1								
44	Cleaning Valve Male Adaptor		325826-01	2								
45	Bypass Hose		439265-01	1								
46	Rubber Ring		439236-01	1								
47	Corner Insulation (A)		439376-01	1								
48	Corner Insulation (B)		439392-01	1								
49	Flange		439267-01	1								
50	Silicone Hose	L=130 mm	773013812	3								
51	Spring		435825-01	1								
52	Connector		432763-01	1								
53	Vinyl Hose	L=165 mm	7716-2025	1								
54	Vinyl Hose	L=700 mm	7716-2025	1								
55	Holder		322692-01	1								
56	Vinyl Hose	L=50 mm	7716-2025	1								
<b>Hose Clamps</b>												
	Hose Clamp	18 mm	427443-05	4								
		25 mm	427443-03	12								
		27 mm	427443-08	2								

# C. Control Box Assembly

## KM-1340M\_J/3

G-0

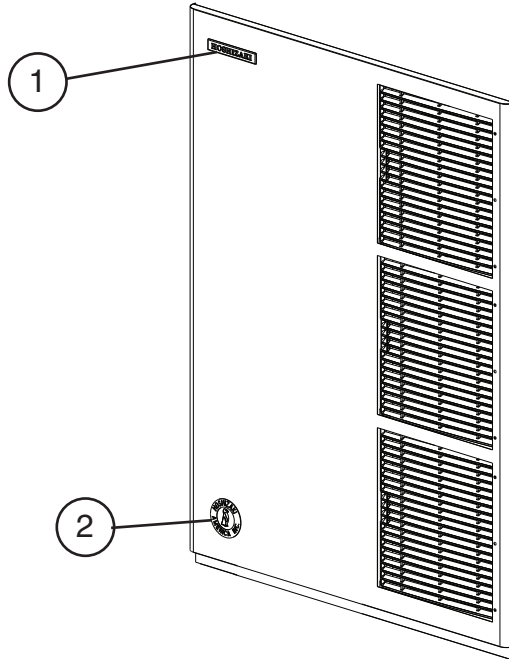


Title: C. Control Box Assembly Model: KM-1340M_J/3												
Index No.	Description	Material or Model Number	Part Number	Required Number								
				G-0								
1	Start Capacitor	145-174MFD, 220VAC	3A0076-11	1								
2	Run Capacitor	30MFD, 370VAC	3A2005-03	1								
3	Start Relay		4A1107-09	1								
4	Compressor Relay	<b>KM-1340M_J</b>	4A3140-01	1								
	Magnetic Contactor	<b>KM-1340MRJ3</b>	4A0794-01	1								
5	Pump Motor Capacitor	10MFD, 250VAC	443192-01	1								
6	Control Transformer		3A0172-01	1								
7	"J" Control Board		2A7664-01	1								
7a	Control Board Support		4A0336-03	4								
8	K4 Jumper		4A4883G01	1								
9	Toggle Switch (control)		443119-01	1								
10	Fuse Holder (control)		4A5443-01	1								
11	Fuse (control)	AGC-10A, 250VAC	4A0893-07	1								
12	Bin Control Thermostat		4A2879-02	1								
13	Relay X10=Pump Direction Relay X11=X10 Control Relay X12=Anti-Slush Control Relay		406132-07	3								
	X13=Crankcase Heater Relay	<b>KM-1340MRJ</b>		4								

## D. Accessories & Labels

KM-1340M\_J/3

G-0



Title: D. Accessories & Labels Model: KM-1340M_J/3												
Index No.	Description	Material or Model Number	Part Number	Required Number								
				G-0								
1	Hoshizaki Emblem Label		4A0560-01	1								
2	Penguin Label		4A0526-01	1								
3	Universal Brace		4A0363-01	2								
3a	Hex Head Bolt		7B02-0512	2								