



NO: 71130

ISSUED: OCT. 8, 1998

REVISED: JUNE 14, 2005

**HOSHIZAKI
STACKABLE CRESCENT CUBER**

**MODEL KM-1300SAF
KM-1300SWF
KM-1300SRF
KM-1300SAF3
KM-1300SWF3
KM-1300SRF3**

(FINAL) PARTS LIST

KM-1300SAF	H-0	JAN. 1998
	H-1	JUNE 1998
	J-0	DEC. 1998
	K-0	DEC. 1999
	L-0	DEC. 2000
	L-1	APRIL 2001
KM-1300SAF3	H-1	JUNE 1998
	J-1	FEB. 1999
	K-0	JAN. 2000
	L-0	FEB. 2001
KM-1300SWF	H-0	MAY 1998
	H-1	OCT. 1998
	J-0	DEC. 1998
	K-0	DEC. 1999
	L-0	JAN. 2001
KM-1300SWF3	H-1	JUNE 1998
	K-0	JAN. 2000
KM-1300SRF	H-0	JAN. 1998
	H-1	AUG. 1998
	J-0	DEC. 1998
	K-0	DEC. 1999
	L-0	DEC. 2000
KM-1300SRF3	H-0	MARCH 1998
	H-1	JULY 1998
	J-1	FEB. 1999
	K-0	JAN. 2000
	L-0	FEB. 2001

MATERIAL ABBREVIATIONS

ALUMINUM

AL = Aluminum

COPPER

CU = Copper

PLASTIC

ABS = Acrylonitrile -butadiene - styrene
 AC = Polyacetal
 EVA = Ethylene vinyl acetate
 PA = Polyamide = Nylon
 PC = Polycarbonate
 PE = Polyethylene
 PES = Polyester
 PETP = Polyethylene terephthalate = Tetlon
 PP = Polypropylene
 PS = Polystyrene
 PIFE = Polytetrafluoroethylene = Teflon
 PUR = Polyurethane
 PVC = Polyvinyl chloride

RUBBER

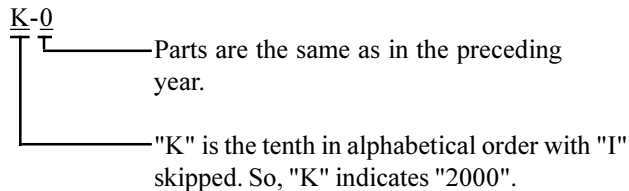
VN = Vinyl Nitrile
 EPDM = EP rubber
 NBR = Nitrile butadiene rubber
 NR = Natural rubber
 NP = Neoprene
 SI.R = Silicone rubber
 SY.R = Synthetic rubber
 EPH = Epichlorohydrin

STEEL

GS = Galvanized steel
 SS = Stainless steel
 PS = Plated steel
 PAS = Primed steel

AUXILIARY CODE

Ex.1

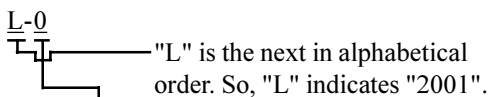


(Note) - = Part deleted.

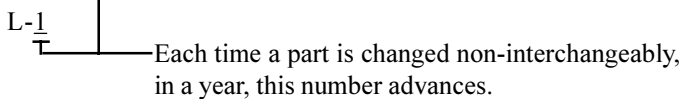
x = Part deleted and replaced by "o" part.

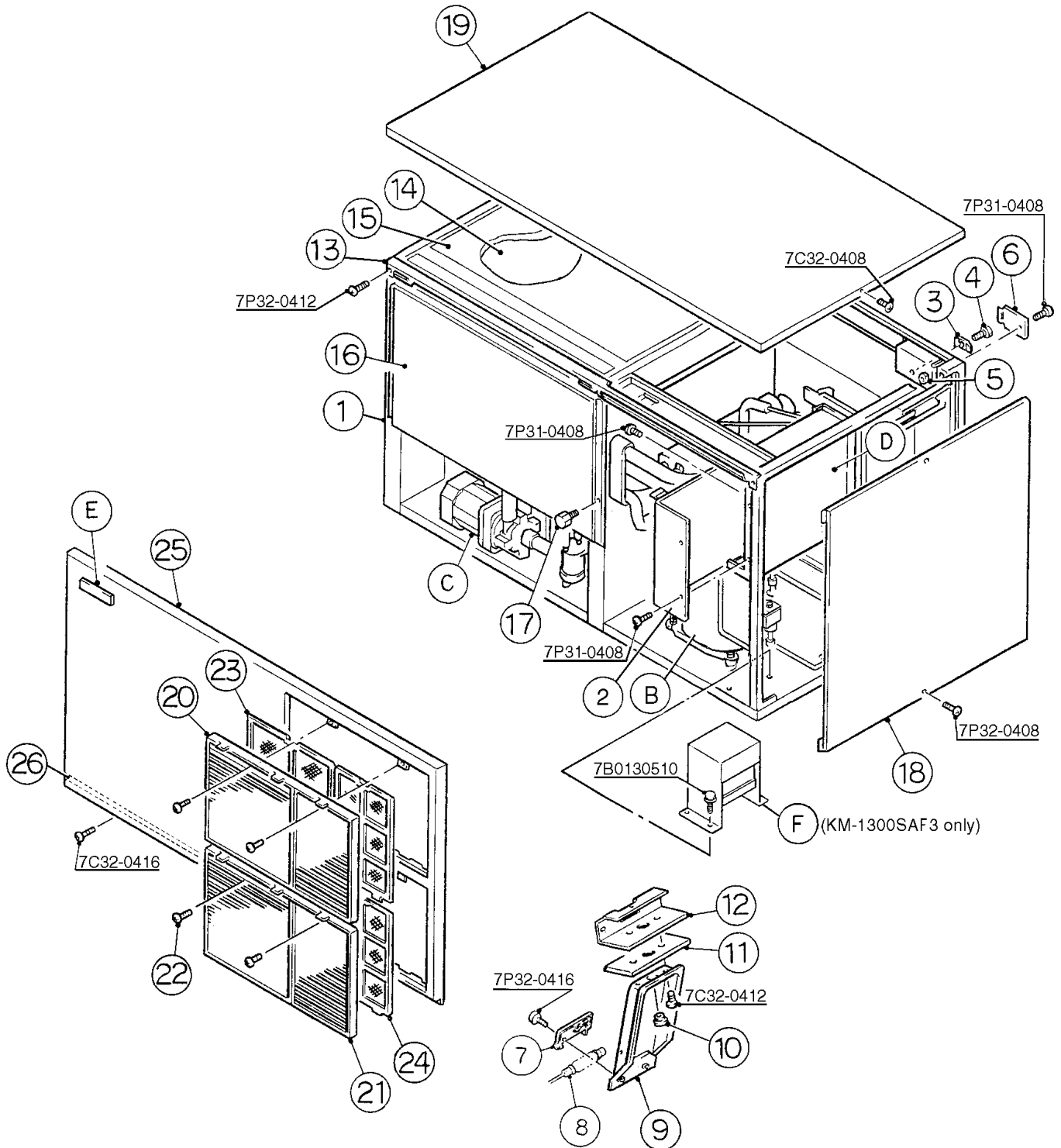
o = New part for "x" in the same auxiliary code.

Ex.2



Ex.3





MODEL: KM-1300SAF TITLE: A. ICE CUBER ASSEMBLY											
INDEX NO.	DESCRIPTION	MATERIAL OR MODEL NUMBER	PART NUMBER	REQUIRED NUMBER							
				H-0	H-1	J-0	K-0	L-0	L-1		
B	REFRIGERATION CIRCUIT	-	1A0207A01	1	1	1	1	1	1		
C	WATER CIRCUIT	-	105109A04	1	1	1	1	1	1		
D	CONTROL BOX ASSEMBLY	(HS-1101)	2A1081A02	1	1	1	1	1	1		
	T2 SCREW	Zinc, 4X8	7P31-0408	3	3	3	3	3	3		
E	LABEL LOCATION	-	2A1049A01	1	1	x1					
		-	2A1049A03			o1	1	1	1		
1	EVAP. CASE	(HS-1001)	105860G17	1	1	-					
		-	105860G28			1	1	1	1		
2	CONTROL BOX COVER	GS	3A0174-01	1	1	1	1	1	1		
	T2 SCREW	Zinc, 4X8	7P31-0408	3	3	3	3	3	3		
3	SQUARE WASHER	BRASS	433537-02	1	1	1	1	1	1		
4	SCREW - GROUNDING	BRASS	433304-02	1	1	1	1	1	1		
5	BUSHING	SR-34-2	420472-05	1	1	1	1	1	1		
6	JUNCTION BOX COVER	GS	433410-01	1	1	1	1	1	1		
	T2 SCREW	Zinc, 4X8	7P31-0408	1	1	1	1	1	1		
7	BULB HOLDER	ABS	328919-01	1	1	1	1	1	1		
8	SPACER	PE	443545-01	1	1	1	1	1	1		
9	BULB HOLDER (C)	ABS	216340G01	1	1	1	1	1	1		
	TRUSS HEAD SCREW	SS, 4X12	7C32-0412	2	2	2	2	2	2		
10	BUSHING	EP RUBBER	425307-01	1	1	1	1	1	1		
11	SPACER	ABS	439727-01	1	1	1	1	1	1		
12	BULB HOLDER (D)	GS	328742-01	1	1	1	1	1	1		
	T2 SCREW	SS, 4X16	7P32-0416	2	2	2	2	2	2		
13	FRONT PANEL - BRACKET	SS	323903-01	1	1	1	1	1	1		
	T2 SCREW	SS	7P32-0412	3	3	3	3	3	3		
14	SPACER	ABS	324321-01	1	1	1	1	1	1		
15	TOP INSULATION	ABS, PE	324216G01	1	1	1	1	1	1		

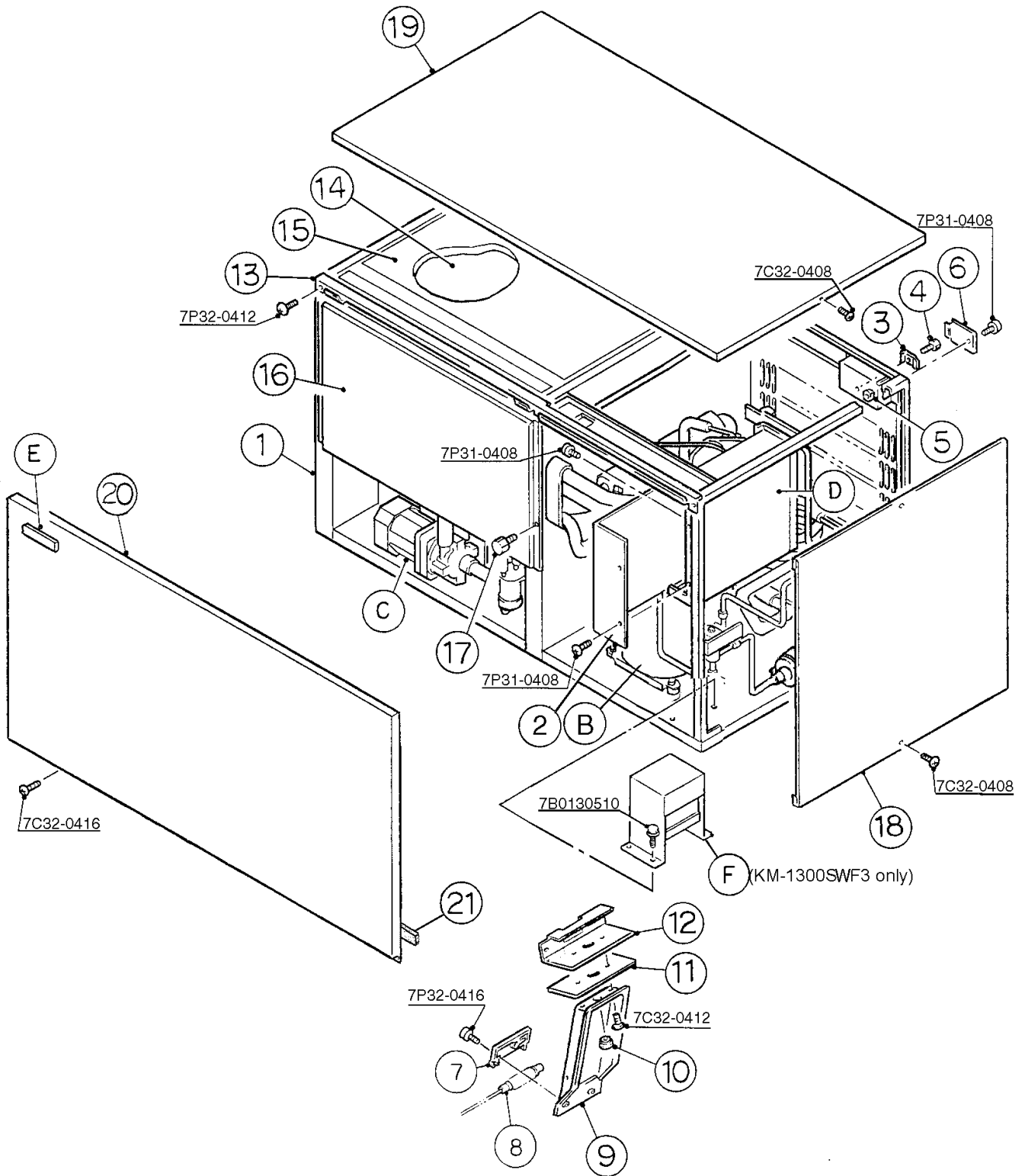
HA

MODEL: KM-1300SAF TITLE: A. ICE CUBER ASSEMBLY											
INDEX NO.	DESCRIPTION	MATERIAL OR MODEL NUMBER	PART NUMBER	REQUIRED NUMBER							
				H-0	H-1	J-0	K-0	L-0	L-1		
16	FRONT INSULATION	ABS, PE	324215G01	1	1	1	1	1	1		
17	THUMBSCREW	ABS, SS	415949G01	1	1	1	1	1	1		
18	SIDE PANEL (R)	SS	213668G01	1	1	1	1	1	1		
19	TOP PANEL	(324217A01)	213669-01	1	1	1	1	1	1		
	TRUSS HEAD SCREW	SS, 4X8	7C32-0408	3	3	3	3	3	3		
20	LOUVER (B)	ABS	103121-05	2	2	2	2	2	2		
21	LOUVER (C)	ABS	103122-03	2	2	2	2	2	2		
22	TAPPING SCREW - BLACK	STEEL, 4X8	433954-01	4	4	4	4	4	4		
23	AIR FILTER (B)	ABS	208283G03	2	2	2	2	2	2		
24	AIR FILTER (C)	ABS	208284G01	2	2	2	2	2	2		
25	FRONT PANEL	SS	213708-01	1	1	1	1	1	1		
	TRUSS HEAD SCREW	SS, 4X16	7C32-0416	2	2	2	2	2	2		
26	GASKET	L=1219	4A0808L02					1	1		

HA

MODEL: KM-1300SAF3 TITLE: A. ICE CUBER ASSEMBLY											
INDEX NO.	DESCRIPTION	MATERIAL OR MODEL NUMBER	PART NUMBER	REQUIRED NUMBER							
				H-1	J-1	K-0	L-0				
B	REFRIGERATION CIRCUIT	-	1A0207A02	1	1	1	1				
C	WATER CIRCUIT	-	105109A04	1	1	1	1				
D	CONTROL BOX ASSEMBLY	(HS-1105)	2A1122A03	1	1	1	1				
	T2 SCREW	Zinc, 4X8	7P31-0408	3	3	3	3				
E	LABEL LOCATION	-	2A1049A02	1	x1						
		-	2A1049A04		o1	1	1				
F	TRANSFORMER BOX ASSEMBLY	HS-0126	3A1102A01	1	1	1	1				
	HEX HEAD BOLT W/WASHER	5 X10	7B0130510	4	4	4	4				
1	EVAP. CASE	(HS-1001)	105860G17	1	-						
		-			1	1	1				
2	CONTROL BOX COVER	GS	3A0174-01	1	1	1	1				
		Zinc, 4X8	7P31-0408	3	3	3	3				
3	SQUARE WASHER	BRASS	433537-02	1	1	1	1				
4	SCREW - GROUNDING	BRASS	433304-02	1	1	1	1				
5	BUSHING	SR-34-2	420472-05	1	1	1	1				
6	JUNCTION BOX COVER	GS	433410-01	1	1	1	1				
		Zinc, 4X8	7P31-0408	1	1	1	1				
7	BULB HOLDER	ABS	328919-01	1	1	1	1				
8	SPACER	PE	443545-01	1	1	1	1				
9	BULB HOLDER (C)	ABS	216340G01	1	1	1	1				
		SS, 4X12	7C32-0412	2	2	2	2				
10	BUSHING	EP RUBBER	425307-01	1	1	1	1				
11	SPACER	ABS	439727-01	1	1	1	1				
12	BULB HOLDER (D)	GS	328742-01	1	1	1	1				
		SS, 4X16	7P32-0416	2	2	2	2				

MODEL: KM-1300SAF3 TITLE: A. ICE CUBER ASSEMBLY																				
INDEX NO.	DESCRIPTION	MATERIAL OR MODEL NUMBER	PART NUMBER	REQUIRED NUMBER																
				H-1	J-1	K-0	L-0													
13	FRONT PANEL - BRACKET	SS	323903-01	1	1	1	1													
	T2 SCREW	SS	7P32-0412	3	3	3	3													
14	SPACER	ABS	324321-01	1	1	1	1													
15	TOP INSULATION	ABS, PE	324216G01	1	1	1	1													
16	FRONT INSULATION	ABS, PE	324215G01	1	1	1	1													
17	THUMBSCREW	ABS, SS	415949G01	1	1	1	1													
18	SIDE PANEL (R)	SS	213668G01	1	1	1	1													
19	TOP PANEL	(324217A01)	213669-01	1	1	1	1													
	TRUSS HEAD SCREW	SS, 4X8	7C32-0408	3	3	3	3													
20	LOUVER (B)	ABS	103121-05	2	2	2	2													
21	LOUVER (C)	ABS	103122-03	2	2	2	2													
22	TAPPING SCREW - BLACK	STEEL, 4X8	433954-01	4	4	4	4													
23	AIR FILTER (B)	ABS	208283G03	2	2	2	2													
24	AIR FILTER (C)	ABS	208284G01	2	2	2	2													
25	FRONT PANEL	SS	213708-01	1	1	1	1													
	TRUSS HEAD SCREW	SS, 4X16	7C32-0416	2	2	2	2													
26	GASKET	L=1219	4A0808L02				1													



MODEL: KM-1300SWF TITLE: A. ICE CUBER ASSEMBLY											
INDEX NO.	DESCRIPTION	MATERIAL OR MODEL NUMBER	PART NUMBER	REQUIRED NUMBER							
				H-0	H-1	J-0	K-0	L-0			
B	REFRIGERATION CIRCUIT	-	1A0259A01	1	1	1	1	1			
C	WATER CIRCUIT	-	105109A04	1	1	1	1	1			
D	CONTROL BOX ASSEMBLY	HS-1101	2A1081A02	1	1	1	1	1			
	T2 SCREW	4X8	7P31-0408	3	3	3	3	3			
E	LABEL LOCATION	-	2A1196A01	1	-						
		-	2A1196A03		1	1	1	1			
1	EVAP. CASE	HS-1006	105860G26	1	1	-					
		-	105860G37			1	1	1			
2	CONTROL BOX COVER	GS	3A0174-01	1	1	1	1	1			
	T2 SCREW	4X8	7P31-0408	3	3	3	3	3			
3	SQUARE WASHER	BRASS	433537-02	1	1	1	1	1			
4	SCREW - GROUNDING	BRASS	433304-02	1	1	1	1	1			
5	BUSHING	SR-30-1	420472-05	1	1	1	1	1			
6	JUNCTION BOX COVER	GS	433410-01	1	1	1	1	1			
	T2 SCREW	4X8	7P31-0408	1	1	1	1	1			
7	BULB HOLDER	ABS	328919-01	1	1	1	1	1			
	T2 SCREW	4X16, SS	7P32-0416	2	2	2	2	2			
8	SPACER	PE	443545-01	1	1	1	1	1			
9	BULB HOLDER (C)	ABS	216340G01	1	1	1	1	1			
	TRUSS HEAD SCREW	4X12, SS	7C32-0412	2	2	2	2	2			
10	BUSHING	EP RUBBER	425307-01	1	1	1	1	1			
11	SPACER	ABS	439727-01	1	1	1	1	1			
12	BULB HOLDER (D)	GS	328742-01	1	1	1	1	1			
13	FRONT PANEL - BRACKET	SS	323903-01	1	1	1	1	1			
	T2 SCREW	4X12, SS	7P32-0412	3	3	3	3	3			
14	SPACER	ABS	324321-01	1	1	1	1	1			
15	TOP INSULATION	ABS, PE	324216G01	1	1	1	1	1			

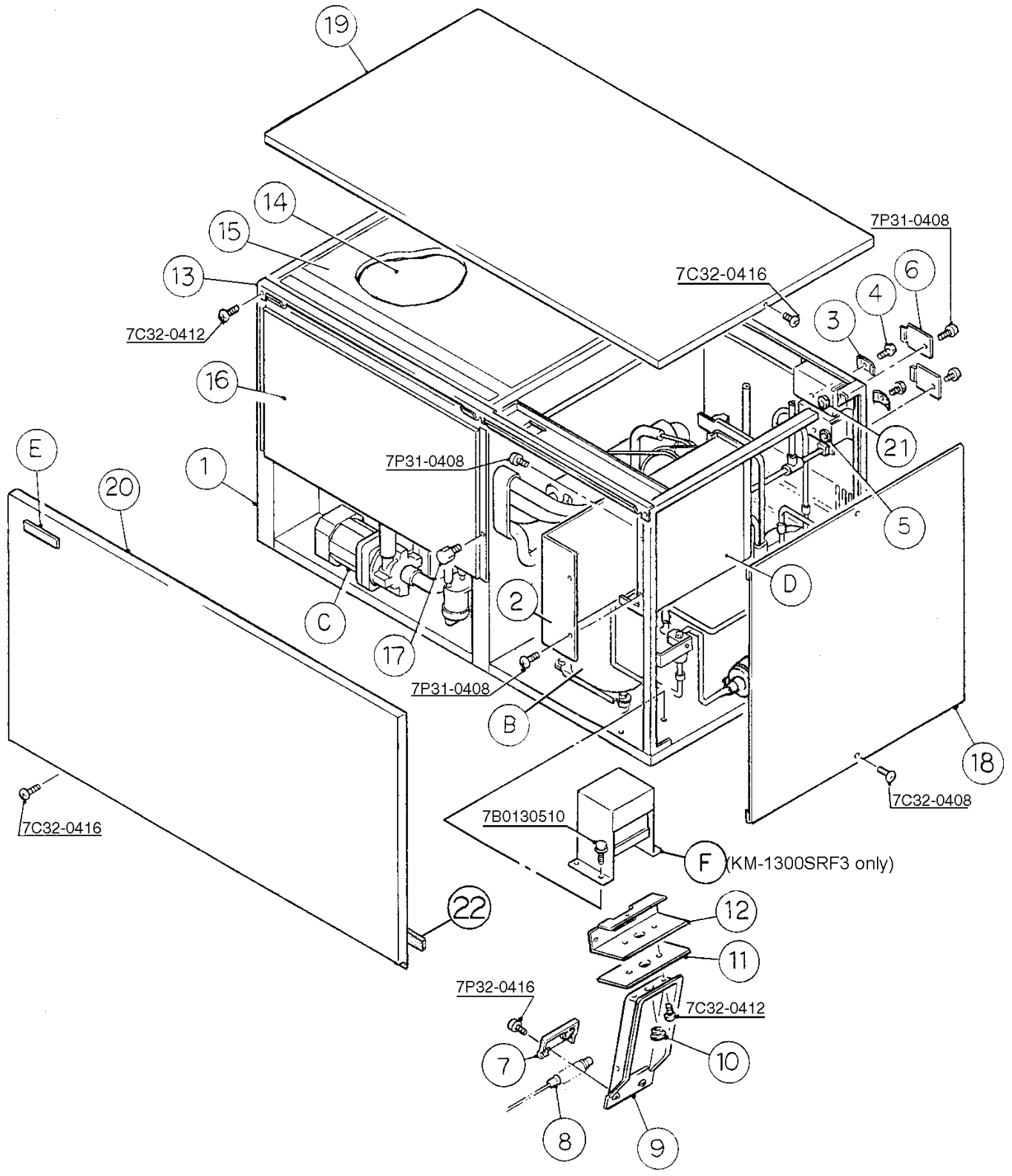
MODEL: KM-1300SWF TITLE: A. ICE CUBER ASSEMBLY												
INDEX NO.	DESCRIPTION	MATERIAL OR MODEL NUMBER	PART NUMBER	REQUIRED NUMBER								
				H-0	H-1	J-0	K-0	L-0				
16	FRONT INSULATION	ABS, PE	324215G01	1	1	1	1	1				
17	THUMBSCREW	ABS, SS	415949G01	1	1	1	1	1				
18	SIDE PANEL (R)	SS	213668G01	1	1	1	1	1				
19	TOP PANEL	SS	213669-01	1	1	1	1	1				
	TRUSS HEAD SCREW	4X16, SS	7C32-0416	3	3	3	3	3				
20	FRONT PANEL	SS	215104-01	1	1	1	1	1				
	TRUSS HEAD SCREW	4X16, SS	7C32-0416	2	2	2	2	2				
21	GASKET	L=1219	4A0808L02						1			

HA

MODEL: KM-1300SWF3 TITLE: A. ICE CUBER ASSEMBLY										
INDEX NO.	DESCRIPTION	MATERIAL OR MODEL NUMBER	PART NUMBER	REQUIRED NUMBER						
				H-1	K-0					
B	REFRIGERATION CIRCUIT	-	1A0259A02	1	1					
C	WATER CIRCUIT	-	105109A04	1	1					
D	CONTROL BOX ASSEMBLY	HS-1105	2A1122A03	1	1					
	T2 SCREW	4X8	7P31-0408	3	3					
E	LABEL LOCATION	-	2A1196A02	1	x1					
		-	2A1196A04		o1					
F	TRANSFORMER BOX ASSEMBLY	HS-0126	3A1102A01	1	1					
	HEX HEAD BOLT W/WASHER	5X10	7B0130510	4	4					
1	EVAP. CASE	HS-1006	105860G26	1	-					
		-	105860G37		1					
2	CONTROL BOX COVER	GS	3A0174-01	1	1					
	T2 SCREW	4X8	7P31-0408	3	3					
3	SQUARE WASHER	BRASS	433537-02	1	1					
4	SCREW - GROUNDING	BRASS	433304-02	1	1					
5	BUSHING	SR-30-1	420472-05	1	1					
6	JUNCTION BOX COVER	GS	433410-01	1	1					
	T2 SCREW	4X8	7P31-0408	1	1					
7	BULB HOLDER	ABS	328919-01	1	1					
	T2 SCREW	4X16, SS	7P32-0416	2	2					
8	SPACER	PE	443545-01	1	1					
9	BULB HOLDER (C)	ABS	216340G01	1	1					
	TRUSS HEAD SCREW	4X12, SS	7C32-0412	2	2					
10	BUSHING	EP RUBBER	425307-01	1	1					
11	SPACER	ABS	439727-01	1	1					
12	BULB HOLDER (D)	GS	328742-01	1	1					

HA

MODEL: KM-1300SWF3 TITLE: A. ICE CUBER ASSEMBLY										
INDEX NO.	DESCRIPTION	MATERIAL OR MODEL NUMBER	PART NUMBER	REQUIRED NUMBER						
				H-1	K-0					
13	FRONT PANEL - BRACKET	SS	323903-01	1	1					
	T2 SCREW	4X12, SS	7P32-0412	3	3					
14	SPACER	ABS	324321-01	1	1					
15	TOP INSULATION	ABS, PE	324216G01	1	1					
16	FRONT INSULATION	ABS, PE	324215G01	1	1					
17	THUMBSCREW	ABS, SS	415949G01	1	1					
18	SIDE PANEL (R)	SS	213668G01	1	1					
19	TOP PANEL	SS	213669-01	1	1					
	TRUSS HEAD SCREW	4X16, SS	7C32-0416	3	3					
20	FRONT PANEL	SS	215104-01	1	1					
	TRUSS HEAD SCREW	4X16, SS	7C32-0416	2	2					
21	GASKET	L=1219	4A0808L02		1					



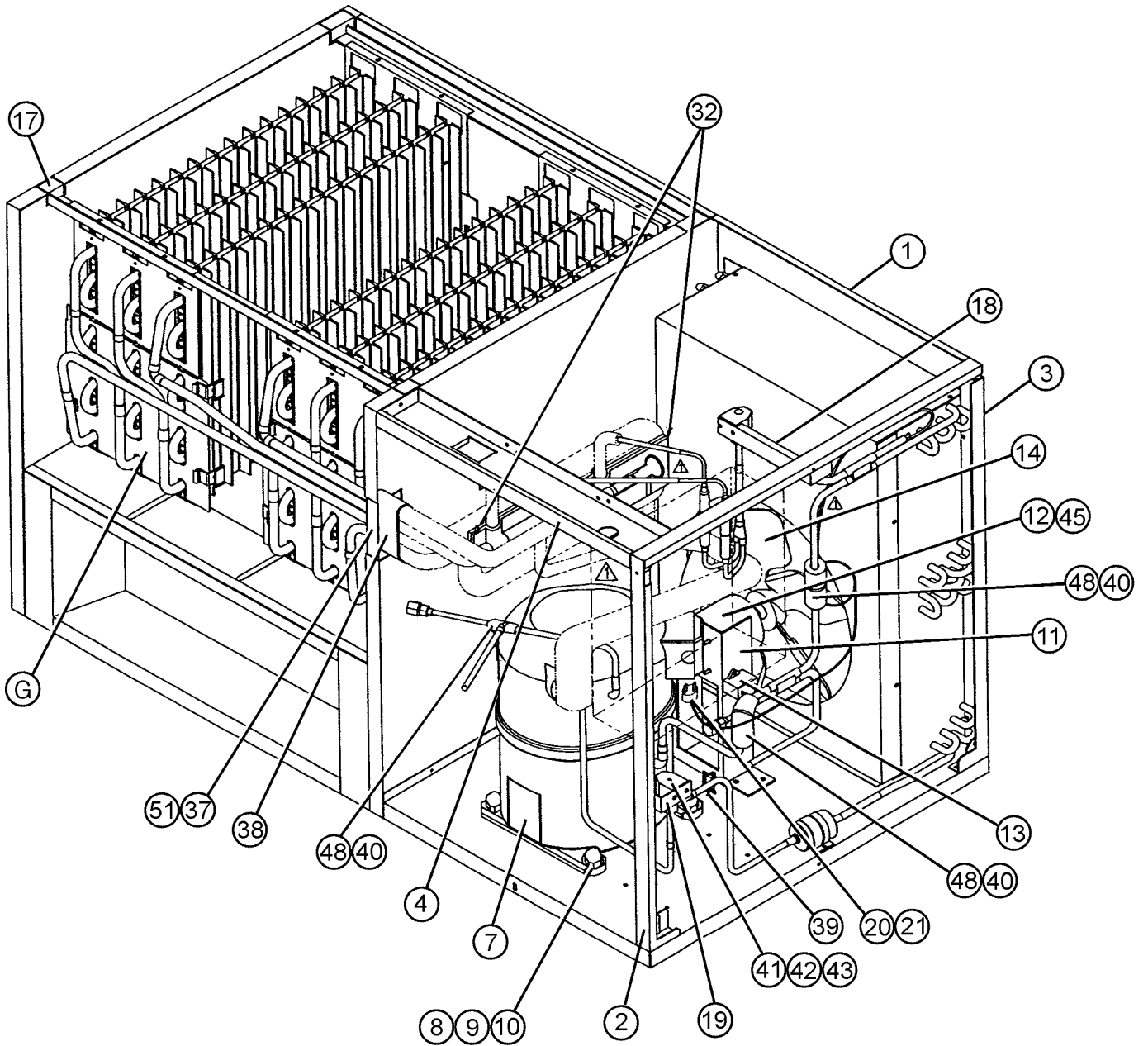
MODEL: KM-1300SRF TITLE: A. ICE CUBER ASSEMBLY											
INDEX NO.	DESCRIPTION	MATERIAL OR MODEL NUMBER	PART NUMBER	REQUIRED NUMBER							
				H-0	H-1	J-0	K-0	L-0			
B	REFRIGERATION CIRCUIT	-	1A0212A01	1	1	1	1	1			
C	WATER CIRCUIT	-	105109A04	1	1	1	1	1			
D	CONTROL BOX ASSEMBLY	HS-1101	2A1081A02	1	1	1	1	1			
	T2 SCREW	4X8	7P31-0408	3	3	3	3	3			
E	LABEL LOCATION	-	2A1050A01	1	-						
		-	2A1050A03		1	1	1	1			
1	EVAP. CASE	HS-1002	105860G19	1	1	-					
		-	105860G30			1	1	1			
2	CONTROL BOX COVER	GS	3A0174-01	1	1	1	1	1			
	T2 SCREW	4X8	7P31-0408	3	3	3	3	3			
3	SQUARE WASHER	BRASS	433537-02	2	2	2	2	2			
4	SCREW - GROUNDING	BRASS	433304-02	2	2	2	2	2			
5	BUSHING	SR-30-1	420472-03	1	1	1	1	1			
6	JUNCTION BOX COVER	GS	433410-01	2	2	2	2	2			
	T2 SCREW	4X8	7P31-0408	2	2	2	2	2			
7	BULB HOLDER	ABS	328919-01	1	1	1	1	1			
	T2 SCREW	4X16, SS	7P32-0416	2	2	2	2	2			
8	SPACER	PE	443545-01	1	1	1	1	1			
9	BULB HOLDER (C)	ABS	216340G01	1	1	1	1	1			
	TRUSS HEAD SCREW	4X12, SS	7C32-0412	2	2	2	2	2			
10	BUSHING	EP RUBBER	425307-01	1	1	1	1	1			
11	SPACER	ABS	439727-01	1	1	1	1	1			
12	BULB HOLDER (D)	GS	328742-01	1	1	1	1	1			

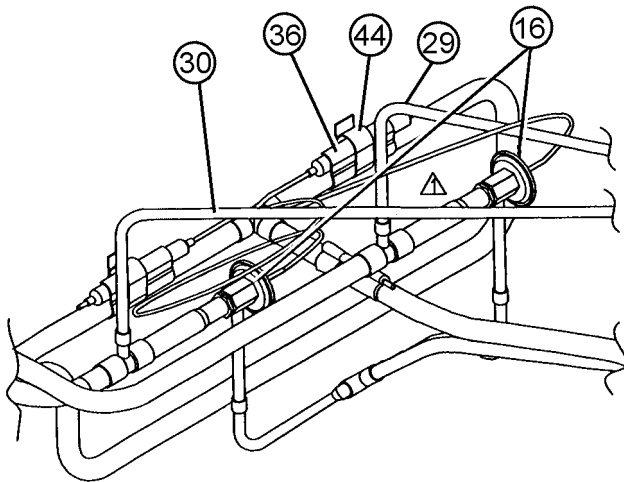
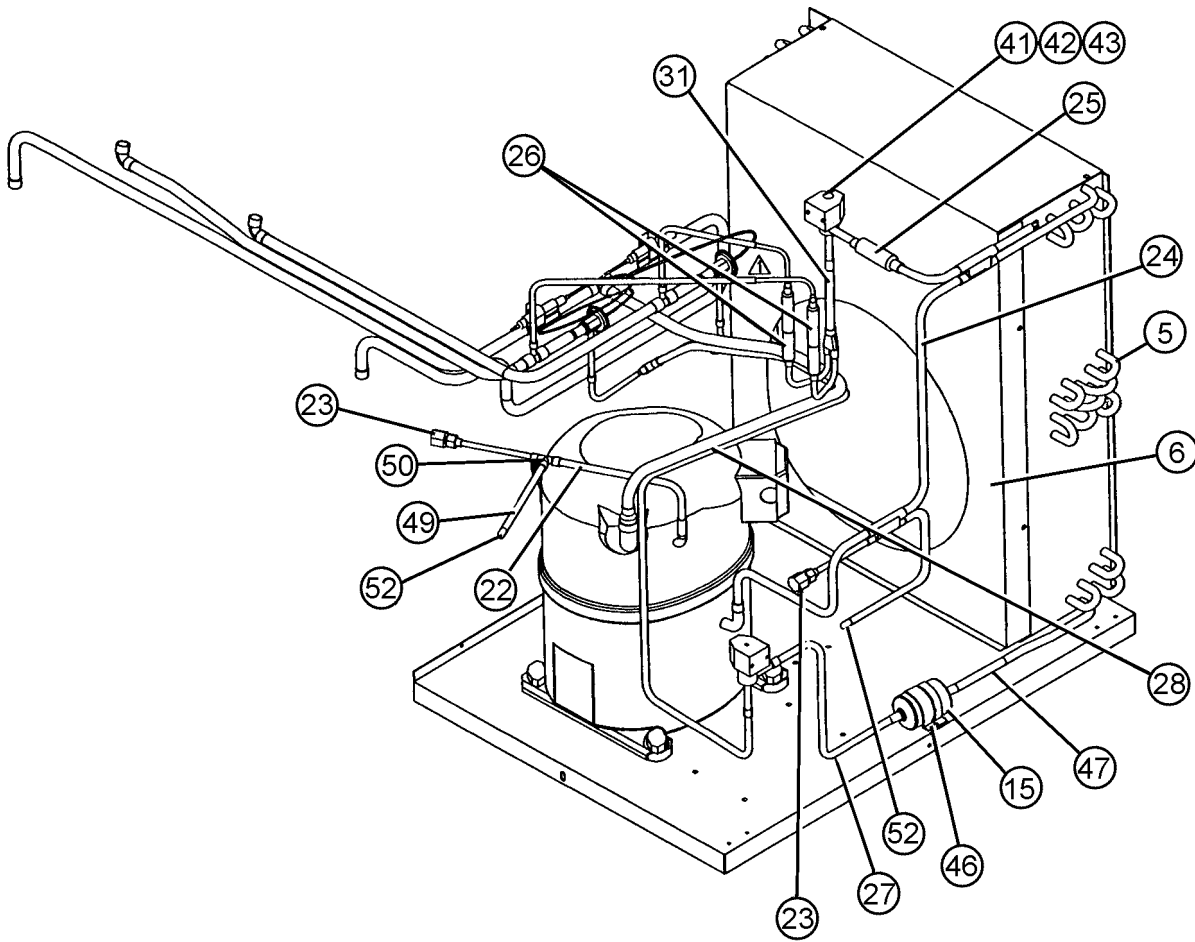
MODEL: KM-1300SRF TITLE: A. ICE CUBER ASSEMBLY											
INDEX NO.	DESCRIPTION	MATERIAL OR MODEL NUMBER	PART NUMBER	REQUIRED NUMBER							
				H-0	H-1	J-0	K-0	L-0			
13	FRONT PANEL - BRACKET	SS	323903-01	1	1	1	1	1			
	T2 SCREW	4X12, SS	7P32-0412	3	3	3	3	3			
14	SPACER	ABS	324321-01	1	1	1	1	1			
15	TOP INSULATION	ABS, PE	324216G01	1	1	1	1	1			
16	FRONT INSULATION	ABS, PE	324215G01	1	1	1	1	1			
17	THUMBSCREW	ABS, SS	415949G01	1	1	1	1	1			
18	SIDE PANEL (R)	SS	213668G01	1	1	1	1	1			
19	TOP PANEL	SS	213669-01	1	1	1	1	1			
	TRUSS HEAD SCREW	4X16, SS	7C32-0416	3	3	3	3	3			
20	FRONT PANEL	SS	215104-01	1	1	1	1	1			
	TRUSS HEAD SCREW	4X16, SS	7C32-0416	2	2	2	2	2			
21	BUSHING	SR-34-2	420472-05	1	1	1	1	1			
22	GASKET	L=1219	4A0808L02					1			

MODEL: KM-1300SRF3 TITLE: A. ICE CUBER ASSEMBLY											
INDEX NO.	DESCRIPTION	MATERIAL OR MODEL NUMBER	PART NUMBER	REQUIRED NUMBER							
				H-0	H-1	J-1	K-0	L-0			
B	REFRIGERATION CIRCUIT	-	1A0212A02	1	1	1	1	1			
C	WATER CIRCUIT	-	105109A04	1	1	1	1	1			
D	CONTROL BOX ASSEMBLY	HS-1105	2A1122A03	1	1	1	1	1			
	T2 SCREW	4X8	7P31-0408	3	3	3	3	3			
E	LABEL LOCATION	-	2A1050A02	1	-						
		-	2A1050A04		1	1	1	1			
F	TRANSFORMER BOX ASSEMBLY	HS-0126	3A1102A01	1	1	1	1	1			
	HEX HEAD BOLT W/WASHER	5X10	7B0130510	4	4	4	4	4			
1	EVAP. CASE	HS-1002	105860G19	1	1	1	1	1			
		-	105860G30								
2	CONTROL BOX COVER	GS	3A0174-01	1	1	1	1	1			
	T2 SCREW	4X8	7P31-0408	3	3	3	3	3			
3	SQUARE WASHER	BRASS	433537-02	2	2	2	2	2			
4	SCREW - GROUNDING	BRASS	433304-02	2	2	2	2	2			
5	BUSHING	SR-30-1	420472-03	1	1	1	1	1			
6	JUNCTION BOX COVER	GS	433410-01	2	2	2	2	2			
	T2 SCREW	4X8	7P31-0408	2	2	2	2	2			
7	BULB HOLDER	ABS	328919-01	1	1	1	1	1			
	T2 SCREW	4X16, SS	7P32-0416	2	2	2	2	2			
8	SPACER	PE	443545-01	1	1	1	1	1			
9	BULB HOLDER (C)	ABS	216340G01	1	1	1	1	1			
	TRUSS HEAD SCREW	4X12, SS	7C32-0412	2	2	2	2	2			
10	BUSHING	EP RUBBER	425307-01	1	1	1	1	1			
11	SPACER	ABS	439727-01	1	1	1	1	1			
12	BULB HOLDER (D)	GS	328742-01	1	1	1	1	1			

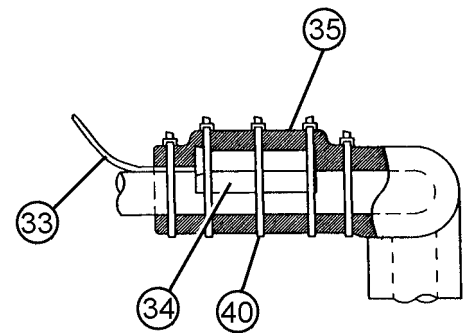
HA

MODEL: KM-1300SRF3 TITLE: A. ICE CUBER ASSEMBLY											
INDEX NO.	DESCRIPTION	MATERIAL OR MODEL NUMBER	PART NUMBER	REQUIRED NUMBER							
				H-0	H-1	J-1	K-0	L-0			
13	FRONT PANEL - BRACKET	SS	323903-01	1	1	1	1	1			
	T2 SCREW	4X12, SS	7P32-0412	3	3	3	3	3			
14	SPACER	ABS	324321-01	1	1	1	1	1			
15	TOP INSULATION	ABS, PE	324216G01	1	1	1	1	1			
16	FRONT INSULATION	ABS, PE	324215G01	1	1	1	1	1			
17	THUMBSCREW	ABS, SS	415949G01	1	1	1	1	1			
18	SIDE PANEL (R)	SS	213668G01	1	1	1	1	1			
19	TOP PANEL	SS	213669-01	1	1	1	1	1			
	TRUSS HEAD SCREW	4X16, SS	7C32-0416	3	3	3	3	3			
20	FRONT PANEL	SS	215104-01	1	1	1	1	1			
	TRUSS HEAD SCREW	4X16, SS	7C32-0416	2	2	2	2	2			
21	BUSHING	SR-34-2	420472-05	1	1	1	1	1			
22	GASKET	L=1219	4A0808L02					1			





DETAILED EXPANSION VALVE

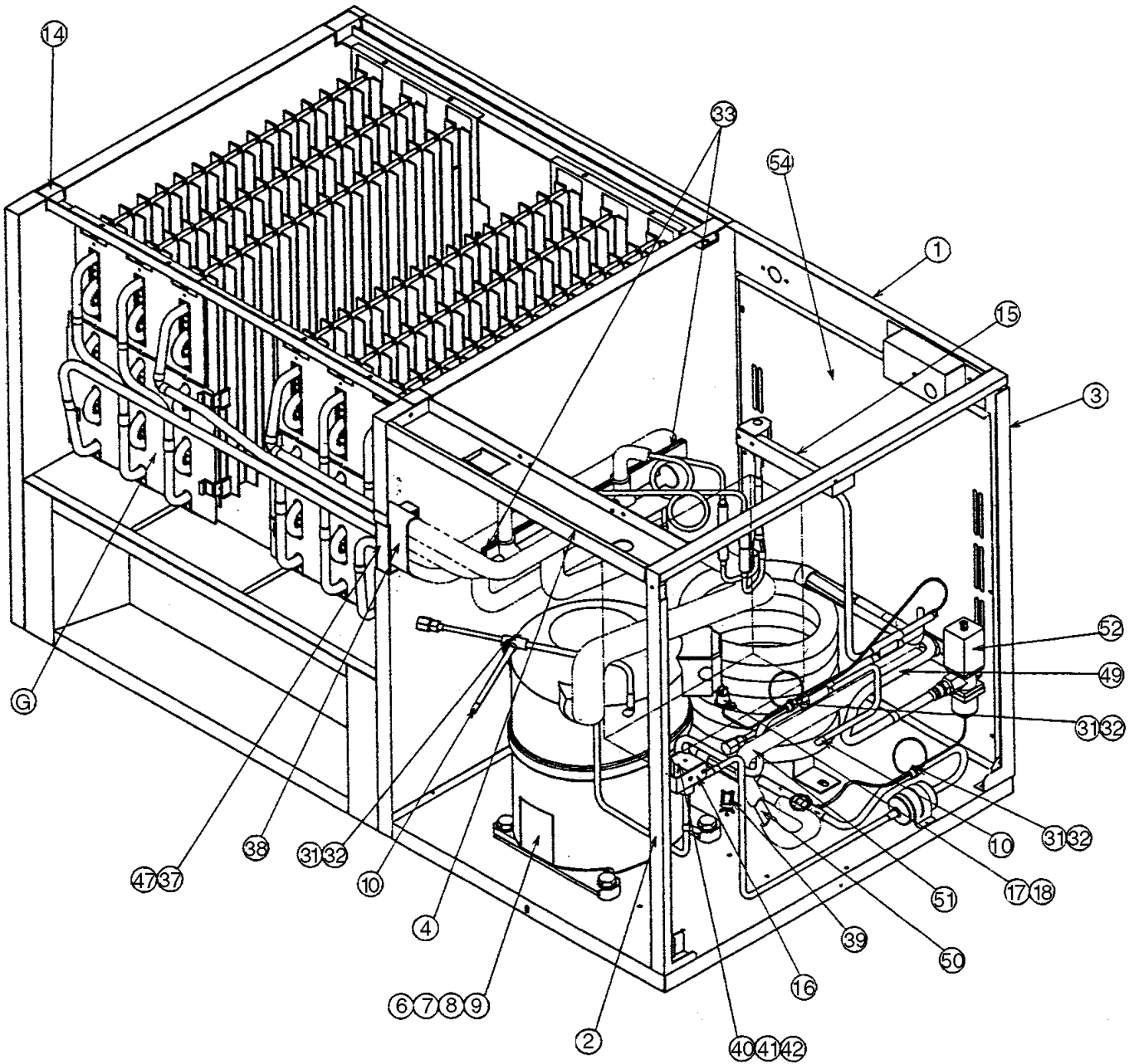


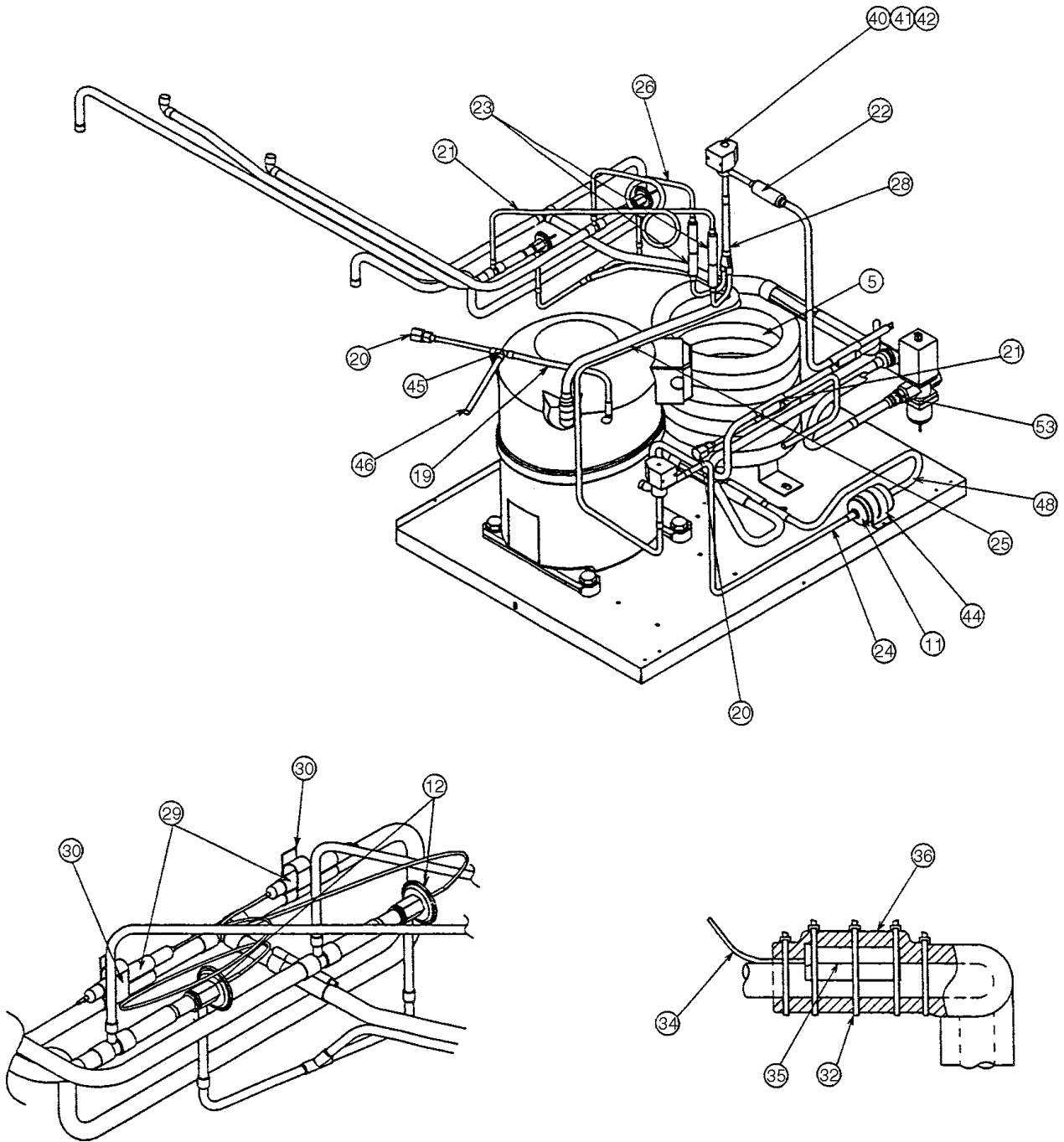
DETAILED THERMISTOR ATTACHMENT

MODEL: KM-1300SAF, KM-1300SAF3 TITLE: B. REFRIGERATION CIRCUIT											
INDEX NO.	DESCRIPTION	MATERIAL OR MODEL NUMBER	PART NUMBER	REQUIRED NUMBER							
				H-0	H-1	J-0	J-1	K-0	L-0	L-1	
G	EVAPORATOR	-	104696A01	1	1	1	1	1	1	1	
1	REAR FRAME	GS	439285G04	1	1	1	1	1	1	1	
	T2 SCREW	Zinc, 4X8	7P31-0408	2	2	2	2	2	2	2	
2	SIDE FRAME (A)	GS	219472G01	1	1	1	1	1	1	1	
	T2 SCREW	Zinc, 4X8	7P31-0408	3	3	3	3	3	3	3	
3	SIDE FRAME (B)	GS	323901G01	1	1	1	1	1	1	1	
	T2 SCREW	Zinc, 4X8	7P31-0408	4	4	4	4	4	4	4	
4	FRONT FRAME	GS	325857-01	1	1	1	1	1	1	1	
	T2 SCREW	Zinc, 4X8	7P31-0408	4	4	4	4	4	4	4	
5	CONDENSER	-	213621-01	1	1	1	1	1	1	1	
	T2 SCREW	Zinc, 4X8	7P31-0408	4	4	4	4	4	4	4	
6	SHROUD	GS	213696-01	1	1	1	1	1	1	1	
	T2 SCREW	Zinc, 4X8	7P31-0408	6	6	6	6	6	6	6	
7	COMPRESSOR (KM-1300SAF)	CS14K6E- PFV	4A1412-01	1	1	1	1	1	1	1	
7	COMPRESSOR (KM-1300SAF3)	CS14K6E- TFS	4A1484-01	1	1	1	1	1	1	1	
8	GROMMET	-	434922-01	4	4	4	4	4	4	4	
9	SPACER	-	434921-01	4	4	4	4	4	4	4	
10	BOLT	8X45	437889-01	4	4	4	4	4	4	4	
11	FAN MOTOR BRACKET	GS	327180-01	1	1	1	1	1	1	1	
	HEX HEAD BOLT w/WASHER	Zinc, 5X12	7B0130512	4	4	4	4	4	4	4	
12	FAN MOTOR	U90B1, 7190-1031	440911-01	1	1	1	1	1	1	1	
13	CAPACITOR	5MFD, 250V	443192-02	1	1	1	1	1	1	1	
	T2 SCREW	Zinc, 4X10	7P31-0410	1	1	1	1	1	1	1	
14	FAN BLADE	AD12CW25	4A0197-01	1	1	1	1	1	1	1	
15	DRIER	C-0325-S	445007-01	1	1	1	1	1	1	1	
16	EXPANSION VALVE	HFE-10NHD-2	4A1414-01	2	2	2	2	2	2	2	

MODEL: KM-1300SAF, KM-1300SAF3 TITLE: B. REFRIGERATION CIRCUIT											
INDEX NO.	DESCRIPTION	MATERIAL OR MODEL NUMBER	PART NUMBER	REQUIRED NUMBER							
				H-0	H-1	J-0	J-1	K-0	L-0	L-1	
17	FRAME SEAL	EPDM	323925-01	4	4	4	4	4	4	4	
	T2 SCREW	SS, 4X12	7P32-0412	4	4	4	4	4	4	4	
18	HOT GAS VALVE BRACKET	GS	442162-01	1	1	1	1	1	1	1	
	T2 SCREW	Zinc, 4X8	7P31-0408	2	2	2	2	2	2	2	
19	LINE VALVE BRACKET	GS	4A1406-01	1	1	1	1	1	1	1	
	T2 SCREW	Zinc, 4X8	7P31-0408	2	2	2	2	2	2	2	
20	PRESSURE SWITCH	ACB-1UB09	433441-07	1	1	1	1	1	1	1	
21	PRESSURE SWITCH BRCKT.	GS	434938-01	1	1	1	1	1	1	1	
	T2 SCREW	Zinc, 4X8	7P31-0408	1	1	1	1	1	1	1	
22	COPPER TUBE - ACCESS VALVE	COPPER	4A1391-02	1	1	1	1	1	1	1	
23	ACCESS VALVE	TCJ-2F15-HD	446715-01	2	2	2	2	x2			
		-	457729-01					o2	2	2	
24	COPPER TUBE (A) - HIGH SIDE	COPPER	2A1020G01	1	1	1	1	1	1	1	
25	STRAINER	-	441569-02	1	1	1	1	1	1	1	
26	CHECK VALVE	SKC30564	4A1373-01	2	2	2	2	2	2	2	
27	COPPER TUBE - LINE VALVE	COPPER	3A0933-01	1	1	1	1	1	1	1	
28	HEAT EXCHANGER	-	1A0206G01	1	1	1	1	1	1	1	
29	COPPER TUBE (R) - LOW SIDE	COPPER	3A1094G02	1	1	1	1	1	1	1	
30	COPPER TUBE (L) - LOW SIDE	COPPER	3A1093G02	1	1	1	1	1	1	1	
31	COPPER TUBE - HOT GAS	COPPER	3A0212G01	1	1	1	1	1	1	1	
32	EXP. VALVE COVER	PE FOAM	3A0944-01	2	2	2	2	2	2	2	
33	THERMISTOR	-	429006-03	1	1	1	1	1	1	1	

MODEL: KM-1300SAF, KM-1300SAF3 TITLE: B. REFRIGERATION CIRCUIT											
INDEX NO.	DESCRIPTION	MATERIAL OR MODEL NUMBER	PART NUMBER	REQUIRED NUMBER							
				H-0	H-1	J-0	J-1	K-0	L-0	L-1	
34	HOLDER - THERMISTOR	COPPER	427430-01	1	1	1	1	1	1	1	
35	INSULATION - THERMISTOR	PE FOAM	427441-01	1	1	1	1	1	1	1	
36	HOLDER / EXP. VALVE - 3/8	SS	3A0107-01	2	2	2	2	2	2	2	
37	INSULATED RUBBER TUBE	EPDM	323975G01	1	1	1	1	1	1	1	
38	INSULATION	PE FOAM	436671-01	1	1	1	1	1	1	1	
39	WIRE SADDLE	VWS4238-C	4A0338-02	3	3	3	3	3	3	3	
40	CABLE TIE	CV-200	7920-0010	10	10	10	10	10	10	10	
41	VALVE BODY	70	440352-01	2	2	2	2	2	2	2	
42	COIL - VALVE	ABS-25-1-HD-2	440353-01	2	2	2	2	2	2	2	
43	BOLT	4X6	440353F01	2	2	2	2	2	2	2	
	TRUSS HEAD SCREW	Zinc, 4X8	7C31-0408	4	4	4	4	4	4	4	
44	CLAMP	SS	443461-02	2	2	2	2	2	2	2	
45	SELF-LOCKING NUT	No. 8-32	7N21I0832	4	4	4	4	4	4	4	
46	DRIER BRACKET	GS	4A0807-01	1	1	1	1	1	1	1	
	T2 SCREW	Zinc, 4X8	7P31-0408	2	2	2	2	2	2	2	
47	COPPER TUBE (D) - HIGH SIDE	COPPER	4A0921-01	1	1	1	1	1	1	1	
48	INSULATION TUBE	L=40	7762-1330	3	3	3	3	3	3	3	
49	EVACUATION TUBE	COPPER	4A1553-01	1	1	1	1	1	1	1	
50	TEE	COPPER	4A1545-01	1	1	1	1	1	1	1	
51	INSULATION HOLDER	SS	3A0979-01	1	1	1	1	1	1	1	
	T2 SCREW	SS, 4X8	7P32-0408	2	2	2	2	2	2	2	
52	END CAP	-	4A1413F01	2	2	2	2	2	2	2	





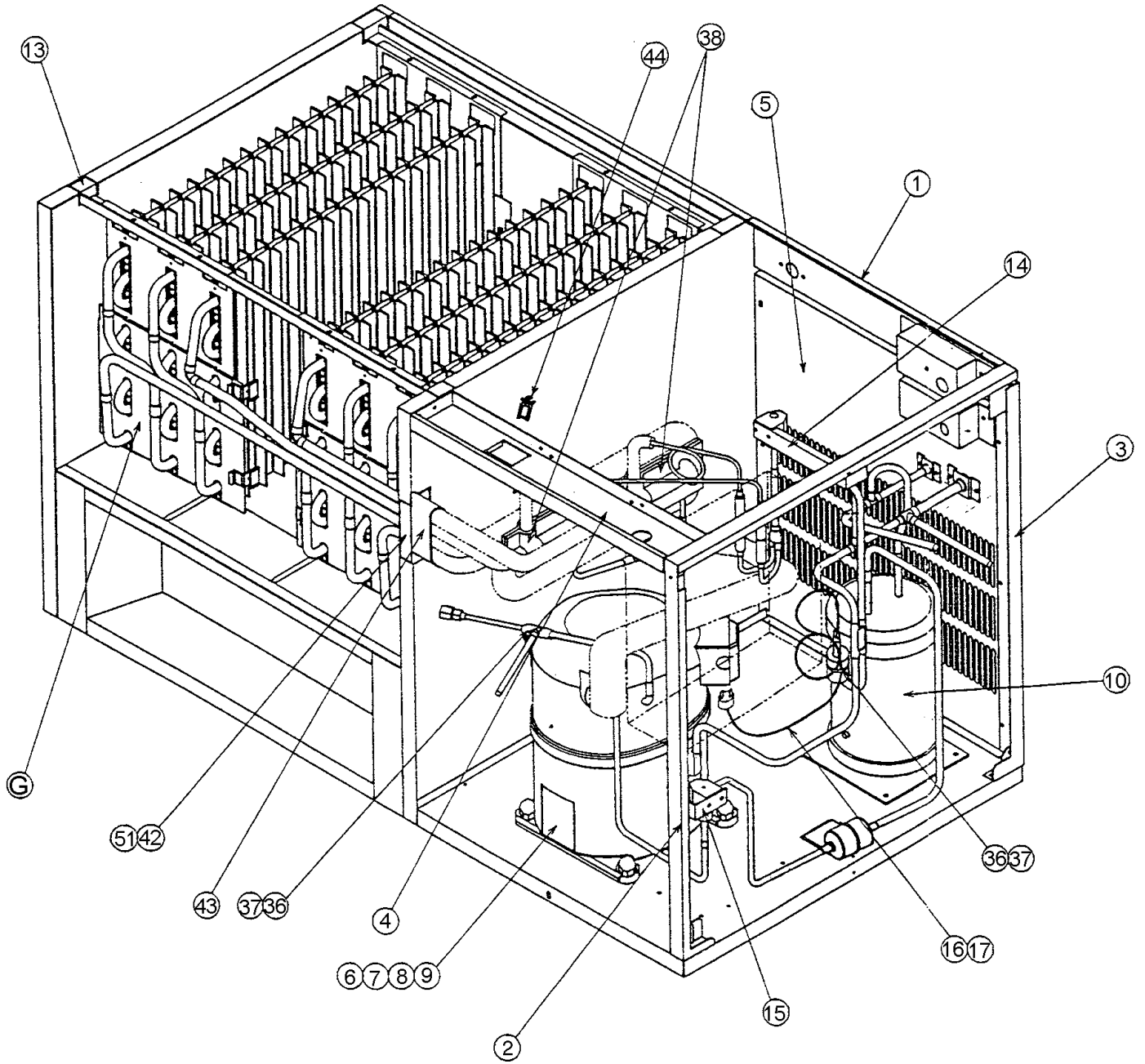
DETAILED EXPANSION VALVE

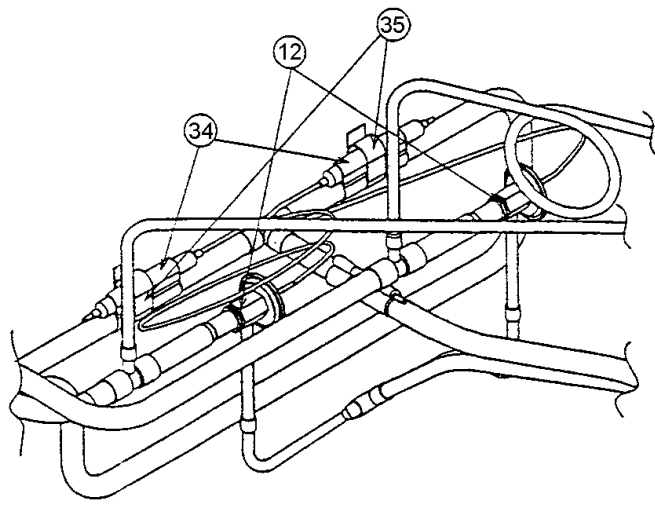
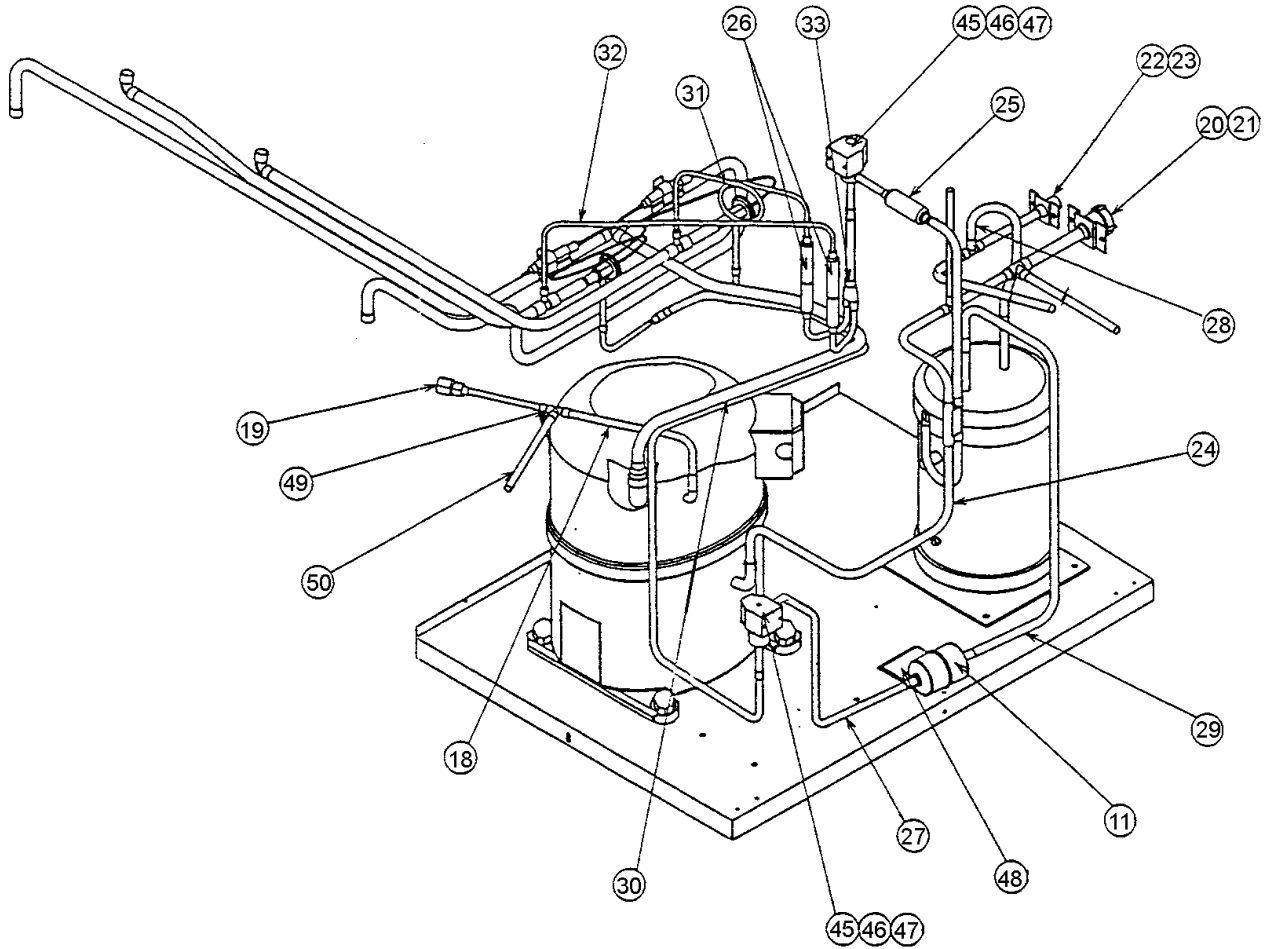
DETAILED THERMISTOR ATTACHMENT

MODEL: KM-1300SWF, KM-1300SWF3 TITLE: B. REFRIGERATION CIRCUIT											
INDEX NO.	DESCRIPTION	MATERIAL OR MODEL NUMBER	PART NUMBER	REQUIRED NUMBER							
				H-0	H-1	J-0	K-0	L-0			
G	EVAPORATOR	-	104696A01	1	1	1	1	1			
1	REAR FRAME	GS	439285G04	1	1	1	1	1			
	T2 SCREW	4X8, SS	7P32-0408	2	2	2	2	2			
2	SIDE FRAME (A)	GS	219472G01	1	1	1	1	1			
	T2 SCREW	4X8, SS	7P32-0408	3	3	3	3	3			
3	SIDE FRAME (B)	GS	323901G01	1	1	1	1	1			
	T2 SCREW	4X8, SS	7P32-0408	4	4	4	4	4			
4	FRONT FRAME	GS	325857-01	1	1	1	1	1			
	T2 SCREW	4X8, SS	7P32-0408	4	4	4	4	4			
5	CONDENSER - WATER COOLED		4A1656-01	1	1	1	1	1			
	HEX HEAD BOLT W/WASHER (LF)	5X12, SS	7B0239512	3	3	3	3	3			
6	COMPRESSOR (KM-1300SWF)	CS14K6E-PFV	4A1412-01	1	1	1	1	1			
6	COMPRESSOR (KM-1300SWF3)	CS14K6E-TF5	4A1484-01	1	1	1	1	1			
7	BOLT	8X45	437889-01	4	4	4	4	4			
8	GROMMET	-	434922-01	4	4	4	4	4			
9	SPACER	-	434921-01	4	4	4	4	4			
10	END CAP		4A1413F01	2	2	2	2	2			
11	DRIER	CW-0325-S	4A1413-01	1	1	1	1	1			
12	EXP. VALVE	HFE-10NHD-2	4A1414-01	2	2	2	2	2			
13	-	-	-	-	-	-	-	-			
14	FRAME SEAL	EPDM	323925-01	4	4	4	4	4			
	T2 SCREW	4X12, SS	7P32-0412	4	4	4	4	4			
15	HOT GAS VALVE BRACKET	GS	442162-01	1	1	1	1	1			
	T2 SCREW	4X8	7P31-0408	2	2	2	2	2			

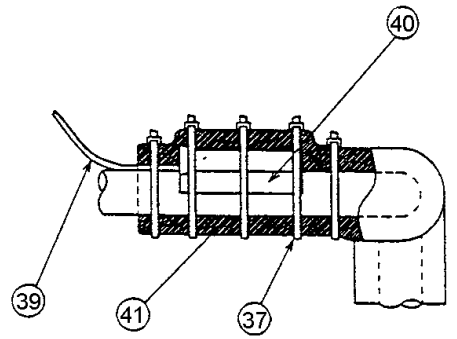
MODEL: KM-1300SWF, KM-1300SWF3 TITLE: B. REFRIGERATION CIRCUIT											
INDEX NO.	DESCRIPTION	MATERIAL OR MODEL NUMBER	PART NUMBER	REQUIRED NUMBER							
				H-0	H-1	J-0	K-0	L-0			
16	LINE VALVE BRACKET	GS	4A1406-01	1	1	1	1	1			
	T2 SCREW	4X8	7P31-0408	2	2	2	2	2			
17	PRESSURE SWITCH	ACB-2UB04	433441-05	1	1	1	1	1			
18	PRESSURE SWITCH BRACKET	GS	434938-01	1	1	1	1	1			
19	COPPER TUBE - ACCESS VALVE	COPPER	4A1391-01	1	1	1	1	1			
20	ACCESS VALVE	-	446715-01	1	1	1	x1				
		-	457729-01				o1	1			
21	COPPER TUBE (A) - HIGH SIDE	COPPER	2A1186G01	1	1	1	1	1			
22	STRAINER	-	441569-02	1	1	1	1	1			
23	CHECK VALVE	SKC30564	4A1373-01	2	2	2	2	2			
24	COPPER TUBE - LINE VALVE	COPPER	3A0933-02	1	1	1	1	1			
25	HEAT EXCHANGER	-	1A0309G01	1	1	1	1	1			
26	COPPER TUBE (R) - LOW SIDE	COPPER	329184G02	1	1	1	1	1			
27	COPPER TUBE (L) - LOW SIDE	COPPER	329185G02	1	1	1	1	1			
28	COPPER TUBE - HOT GAS	COPPER	3A0212G01	1	1	1	1	1			
29	HOLDER / EXP. VALVE - 3/8	SS	3A0107-01	2	2	2	2	2			
30	CLAMP	SS	443461-02	2	2	2	2	2			
31	INSULATION TUBE	L=40	7762-1330	2	2	2	2	2			
32	CABLE TIE	CV-200	7920-0010	8	8	8	8	8			
33	EXP. VALVE COVER	PE FOAM	3A0944-01	2	2	2	2	2			
34	THERMISTOR	-	429006-03	1	1	1	1	1			
35	HOLDER - THERMISTOR	COPPER	427430-01	1	1	1	1	1			

MODEL: KM-1300SWF, KM-1300SWF3 TITLE: B. REFRIGERATION CIRCUIT											
INDEX NO.	DESCRIPTION	MATERIAL OR MODEL NUMBER	PART NUMBER	REQUIRED NUMBER							
				H-0	H-1	J-0	K-0	L-0			
36	INSULATION - THERMISTOR	PE FOAM	427441-01	1	1	1	1	1			
37	INSULATED RUBBER TUBE	EPDM	323975G01	1	1	1	1	1			
38	INSULATION	PE FOAM	436671-01	1	1	1	1	1			
39	WIRE SADDLE	VWS4238-C	4A0338-02	3	3	3	3	3			
40	VALVE BODY	70	440352-01	2	2	2	2	2			
41	COIL - VALVE	ABS-25-1-HD-2	440353-01	2	2	2	2	2			
42	BOLT	4X6	440353F01	2	2	2	2	2			
	TRUSS HEAD SCREW	4X8	7C31-0408	4	4	4	4	4			
43	-	-	-								
44	DRIER BRACKET	GS	4A0807-01	1	1	1	1	1			
	T2 SCREW	4X8	7P31-0408	2	2	2	2	2			
45	TEE	COPPER	4A1545-01	1	1	1	1	1			
46	EVACUATION TUBE	COPPER	4A1553-01	1	1	1	1	1			
47	INSULATION HOLDER	-	340979-01	1	1	1	1	1			
	T2 SCREW	4X8, SS	7P32-0408	2	2	2	2	2			
48	COPPER TUBE (B) - HIGH SIDE	COPPER	3A1322G01	1	1	1	1	1			
49	COPPER TUBE B	COPPER	3A1035G01	1	1	1	1	1			
50	COPPER TUBE A	COPPER	4A0766G01	1	1	1	1	1			
51	INSULATION TUBE	L=630	7762-2030	1	1	1	1	1			
52	WATER REGULATOR		4A0911-03	1	1	1	1	1			
	TRUSS HEAD SCREW	4X8	7C31-0408	2	2	2	2	2			
53	MALE CONNECTOR	48-F-8-6	4A1087-01	1	1	1	1	1			
	T2 SCREW	4X8	7P31-0408	2	2	2	2	2			
54	REAR PANEL	GS	213777G02	1	1	1	1	1			
	T2 SCREW	4X8,	7P31-0408	6	6	6	6	6			





DETAILED EXPANSION VALVE



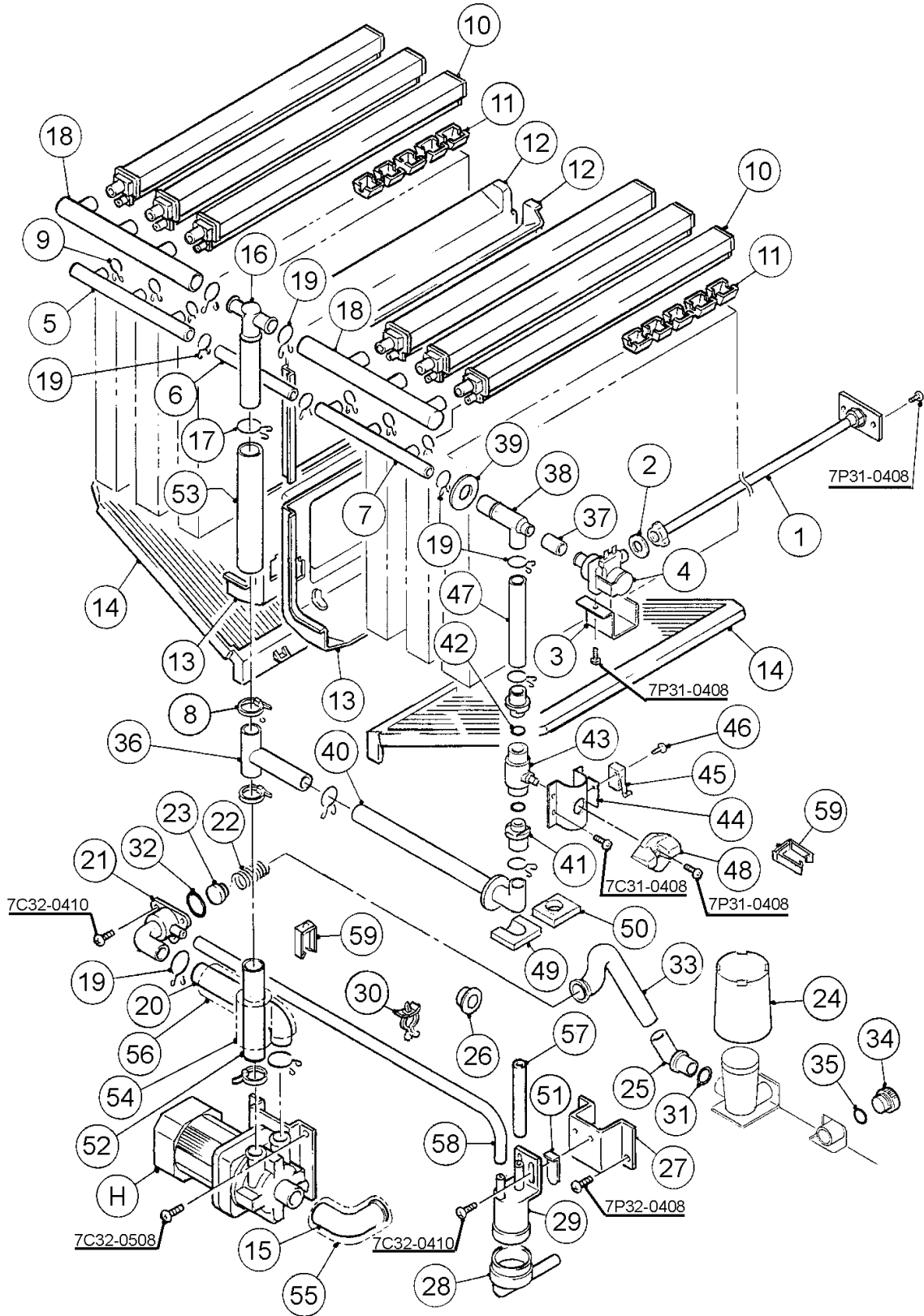
DETAILED THERMISTOR ATTACHM

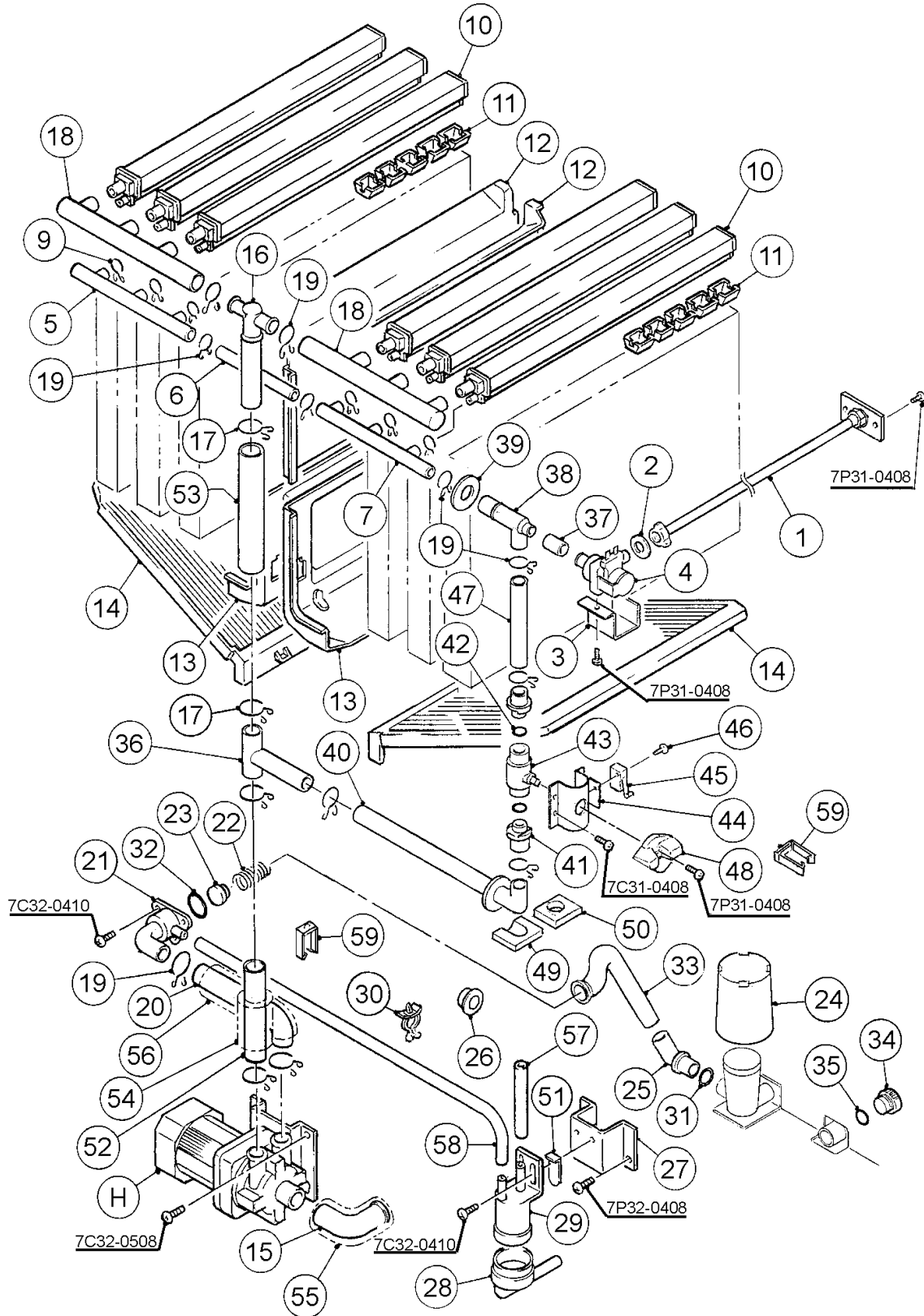
MODEL: KM-1300SRF, KM-1300SRF3 TITLE: B. REFRIGERATION CIRCUIT											
INDEX NO.	DESCRIPTION	MATERIAL OR MODEL NUMBER	PART NUMBER	REQUIRED NUMBER							
				H-0	H-1	J-0	J-1	K-0	L-0		
G	EVAPORATOR	-	104696A01	1	1	1	1	1	1		
1	REAR FRAME	GS	439285G04	1	1	1	1	1	1		
	T2 SCREW	4X8, SS	7P32-0408	2	2	2	2	2	2		
2	SIDE FRAME (A)	GS	219472G01	1	1	1	1	1	1		
	T2 SCREW	4X8, SS	7P32-0408	3	3	3	3	3	3		
3	SIDE FRAME (B)	GS	323901G01	1	1	1	1	1	1		
	T2 SCREW	4X8, SS	7P32-0408	4	4	4	4	4	4		
4	FRONT FRAME	GS	325857-01	1	1	1	1	1	1		
	T2 SCREW	4X8, SS	7P32-0408	4	4	4	4	4	4		
5	REAR PANEL	GS	213777G02	1	1	1	1	1	1		
	T2 SCREW	4X8,	7P31-0408	6	6	6	6	6	6		
6	COMPRESSOR (KM-1300SRF)	CS14K6E- PFV	4A1412-02	1	1	1	1	1	1		
6	COMPRESSOR (KM-1300SRF3)	CS14K6E- TF5	4A1484-02	1	1	1	1	1	1		
7	BOLT	8X45	437889-01	4	4	4	4	4	4		
8	GROMMET	-	434922-01	4	4	4	4	4	4		
9	SPACER	-	434921-01	4	4	4	4	4	4		
10	RECEIVER	PR. MN	437652-01	1	1	1	1	1	1		
	HEX HEAD BOLT W/WASHER	5X10	7B0130510	3	3	3	3	3	3		
11	DRIER	CW-0325-S	4A1413-01	1	1	1	1	1	1		
12	EXP. VALVE	HFE-10NHD- 2	4A1414-01	2	2	2	2	2	2		
13	FRAME SEAL	EPDM	323925-01	4	4	4	4	4	4		
	T2 SCREW	4X12, SS	7P32-0412	4	4	4	4	4	4		
14	HOT GAS VALVE BRACKET	GS	442162-01	1	1	1	1	1	1		
	T2 SCREW	4X8	7P31-0408	2	2	2	2	2	2		
15	LINE VALVE BRACKET	GS	4A1406-01	1	1	1	1	1	1		
	T2 SCREW	4X8	7P31-0408	2	2	2	2	2	2		

MODEL: KM-1300SRF, KM-1300SRF3 TITLE: B. REFRIGERATION CIRCUIT											
INDEX NO.	DESCRIPTION	MATERIAL OR MODEL NUMBER	PART NUMBER	REQUIRED NUMBER							
				H-0	H-1	J-0	J-1	K-0	L-0		
16	PRESSURE SWITCH	ACB-1UB09	433441-07	1	1	1	1	1	1		
17	PRESSURE SWITCH BRACKET	GS	434938-01	1	1	1	1	1	1		
18	COPPER TUBE - ACCESS VALVE	COPPER	4A1391-01	1	1	1	1	1	1		
19	ACCESS VALVE	-	446715-01	1	1	1	1	x1			
		-	457729-01					o1	1		
20	COUPLING	COPPER	434136G01	1	1	1	1	1	1		
21	TUBE HOLDER (L)	GS	438245-01	1	1	1	1	1	1		
	T2 SCREW	4X8	7P31-0408	2	2	2	2	2	2		
22	COUPLING	COPPER	433751G01	1	1	1	1	1	1		
23	TUBE HOLDER (S)	GS	438246-01	1	1	1	1	1	1		
	T2 SCREW	4X8	7P31-0408	2	2	2	2	2	2		
24	COPPER TUBE (A) - HIGH SIDE	COPPER	2A1025G01	1	1	1	1	1	1		
25	STRAINER	-	441569-02	1	1	1	1	1	1		
26	CHECK VALVE	SKC30564	4A1373-01	2	2	2	2	2	2		
27	COPPER TUBE - LINE VALVE	COPPER	3A0933-01	1	1	1	1	1	1		
28	COPPER TUBE (B) - HIGH SIDE	COPPER	324213G01	1	1	1	1	1	1		
29	COPPER TUBE (C) - HIGH SIDE	COPPER	324212-01	1	1	1	1	1	1		
30	HEAT EXCHANGER	-	1A0206G01	1	1	1	1	1	1		
31	COPPER TUBE (R) - LOW SIDE	COPPER	3A1094G01	1	1	1	1	1	1		
32	COPPER TUBE (L) - LOW SIDE	COPPER	3A1093G01	1	1	1	1	1	1		
33	COPPER TUBE - HOT GAS	COPPER	3A0212G01	1	1	1	1	1	1		

HA

MODEL: KM-1300SRF, KM-1300SRF3 TITLE: B. REFRIGERATION CIRCUIT										
INDEX NO.	DESCRIPTION	MATERIAL OR MODEL NUMBER	PART NUMBER	REQUIRED NUMBER						
				H-0	H-1	J-0				
40	HOLDER - THERMISTOR	COPPER	427430-01	1	1	1				
41	INSULATION - THERMISTOR	PE FOAM	427441-01	1	1	1				
42	INSULATED RUBBER TUBE	EPDM	323975G01	1	1	1				
43	INSULATION	PE FOAM	436671-01	1	1	1				
44	WIRE SADDLE	VWS4238-C	4A0338-02	3	3	3				
45	VALVE BODY	70	440352-01	2	2	2				
46	COIL - VALVE	ABS-25-1-HD-2	440353-01	2	2	2				
47	BOLT	4X6	440353F01	2	2	2				
48	DRIER BRACKET	GS	4A0807-01	1	1	1				
	T2 SCREW	4X8	7P31-0408	2	2	2				
49	TEE	COPPER	4A1545-01	1	1	1				
50	EVACUATION TUBE	COPPER	4A1553-01	1	1	1				
51	INSULATION HOLDER	-	340979-01	1	1	1				
	T2 SCREW	4X8, SS	7P32-0408	2	2	2				



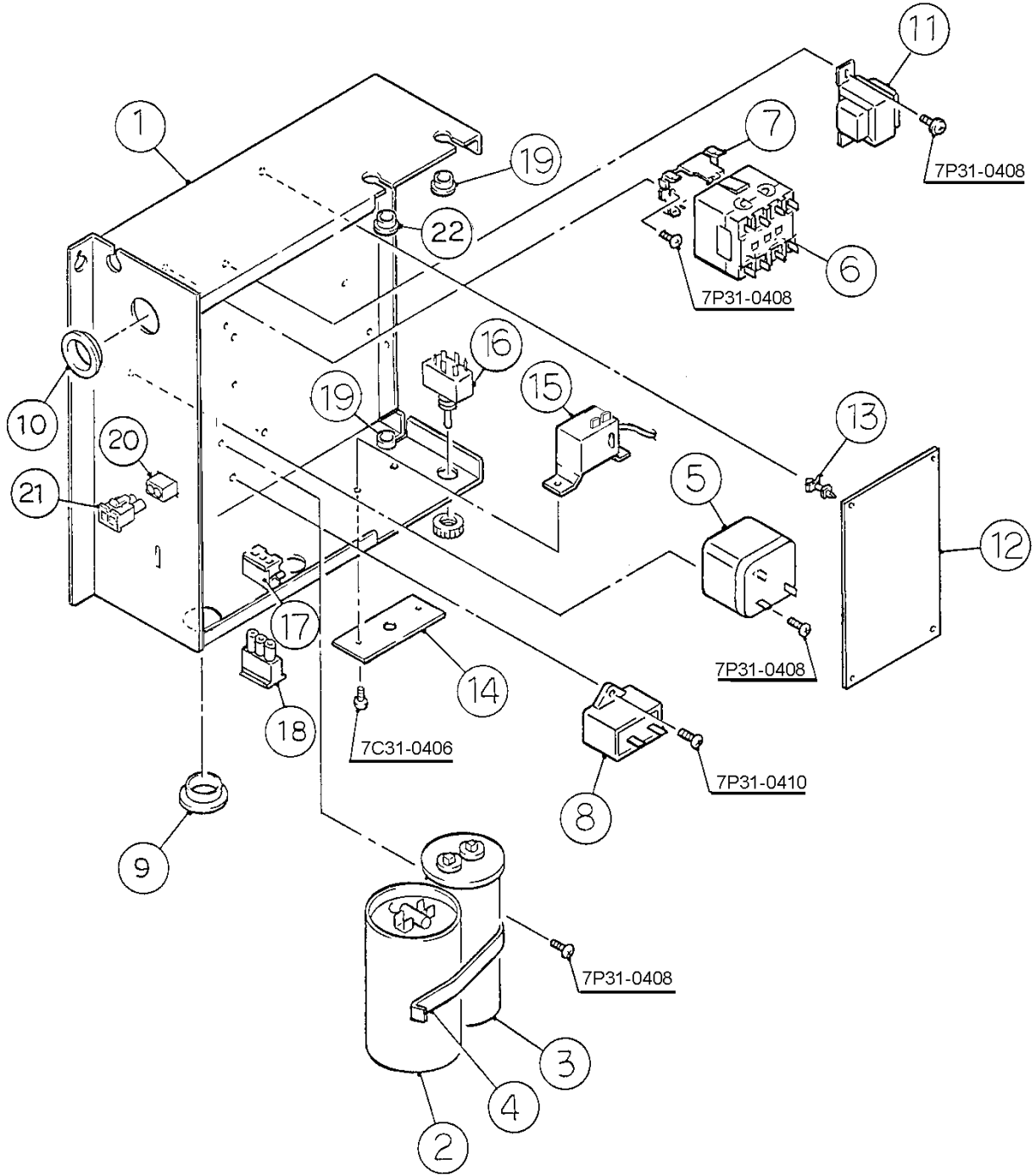


HA

MODEL: KM-1300SAF/3, KM-1300SWF/3, KM-1300SRF/3 TITLE: C. WATER CIRCUIT											
INDEX NO.	DESCRIPTION	MATERIAL OR MODEL NUMBER	PART NUMBER	REQUIRED NUMBER							
				H-0	H-1	J-0	J-1	K-0	L-0	L-1	
H	PUMP MOTOR ASSEMBLY	(S-0730)	215692A01	1	1	1	1	1	1	1	
	TRUSS HEAD SCREW	SS, 5X8	7C32-0508	2	2	2	2	2	2	2	
1	WATER SUPPLY PIPE	COPPER	4A0768G01	1	1	1	1	1	1	1	
	T2 SCREW	4X8	7P31-0408	2	2	2	2	2	2	2	
2	RUBBER GASKET	SI.R	413854-03	1	1	1	1	1	1	1	
3	WATER VALVE BRACKET	GS	321443-01	1	1	1	1	1	1	1	
	T2 SCREW	4X8	7P31-0408	1	1	1	1	1	1	1	
4	WATER VALVE	J248-030	3U0111-01	1	1	1	1	1	1	1	
5	DISTRIBUTOR HOSE (A)	SANTOPRE NE	325738-01	1	1	1	1	1	1	1	
6	JOINT PIPE	ABS	439297-01	1	1	1	1	1	1	1	
7	DISTRIBUTOR HOSE (B)	SANTOPRE NE	325738-02	1	1	1	1	1	1	1	
8	CABLE TIE	CV-200	7920-0010	3	3	3	3	-			
9	HOSE CLAMP	SS, 13.5 mm	427443-07	6	6	6	6	6	6	6	
10	SPRAY TUBE	ABS	437049G01	6	6	6	6	6	6	6	
11	SPRAY GUIDE (A)	PE	208586-01	18	18	18	18	18	18	18	
12	SEPARATOR (A)	ABS	213622-01	2	2	2	2	2	2	2	
13	SEPARATOR (B)	ABS	2A0100-01	2	2	2	2	2	2	2	
14	CUBE GUIDE	ABS	214243-01	2	2	2	2	2	2	2	
15	HOSE (A)	EPDM	435091-01	1	1	1	1	1	1	1	
16	DISTRIBUTOR	ABS	438276G01	1	1	1	1	1	1	1	
17	HOSE CLAMP	SS, 32 mm	427443-09	2	2	2	2	5	5	5	
18	DISTRIBUTOR HOSE (C)	EPDM	323985-01	2	2	2	2	2	2	2	
19	HOSE CLAMP	SS, 25 mm	427443-03	11	11	11	11	11	11	11	
20	HOSE (B)	EPDM	436599-01	1	1	1	1	1	1	1	
21	VALVE HOUSING - DRAIN	ABS	323613-01	1	1	1	1	1	1	1	
	T2 SCREW	4X10, SS	7P32-0410	3	3	3	3	3	3	3	

MODEL: KM-1300SAF/3, KM-1300SWF/3, KM-1300SRF/3 TITLE: C. WATER CIRCUIT											
INDEX NO.	DESCRIPTION	MATERIAL OR MODEL NUMBER	PART NUMBER	REQUIRED NUMBER							
				H-0	H-1	J-0	J-1	K-0	L-0	L-1	
22	SPRING	SS	322110-01	1	1	1	1	1	1	1	
23	VALVE SHEET	EPDM	433705-01	1	1	1	1	1	1	1	
24	OVERFLOW CAP	PE	323978-01	1	1	1	1	1	1	1	
25	JOINT - OVERFLOW	ABS	323923-02	1	1	1	1	1	1	1	
26	BUSHING	SB-1500-21	420470-06	2	2	2	2	2	2	2	
27	FLOAT SW. BRACKET	SS	3A0449-01	1	1	1	1	1	1	1	
	T2 SCREW	4X8, SS	7P32-0408	2	2	2	2	2	2	2	
28	CONNECTOR - FLOAT SWITCH	EPDM	426799-04	1	1	1	1	1	1	1	
29	FLOAT SWITCH	FS-0893B-1	4A0886-01	1	1	1	1	1	1	1	
	TRUSS HEAD SCREW	4X10, SS	7C32-0410	2	2	2	2	2	2	2	
30	CLAMP	No.4253	427902-05	1	1	1	1	1	1	1	
31	"O" RING	1AP18	7611-P018	1	1	1	1	1	1	1	
32	"O" RING	1AG35	7611-G035	1	1	1	1	1	1	1	
33	DRAIN HOSE	EPDM	324757-01	1	1	1	1	1	1	1	
34	DRAIN	AC	309246-01	1	1	1	1	1	1	1	
35	"O" RING	1AP15	7611-P015	1	1	1	1	1	1	1	
36	DISTRIBUTOR (C)	ABS	439238-01	1	1	1	1	1	1	1	
37	JOINT HOSE	EPDM	439296-01	1	1	1	1	1	1	1	
38	DISTRIBUTOR (B)	ABS	439239-01	1	1	1	1	1	1	1	
39	FLANGE	EPDM	439267-02	1	1	1	1	1	1	1	
40	BY-PASS HOSE	EPDM	439237-02	1	1	1	1	1	1	1	
41	MALE ADAPTOR	ABS, (442137A01)	325826-01	2	2	2	2	2	2	2	
42	"O" RING	1AP18, (442137A01)	7611-P018	2	2	2	2	2	2	2	
43	BALL VALVE	PVC, (442137A01)	439293-01	1	1	1	1	1	1	1	

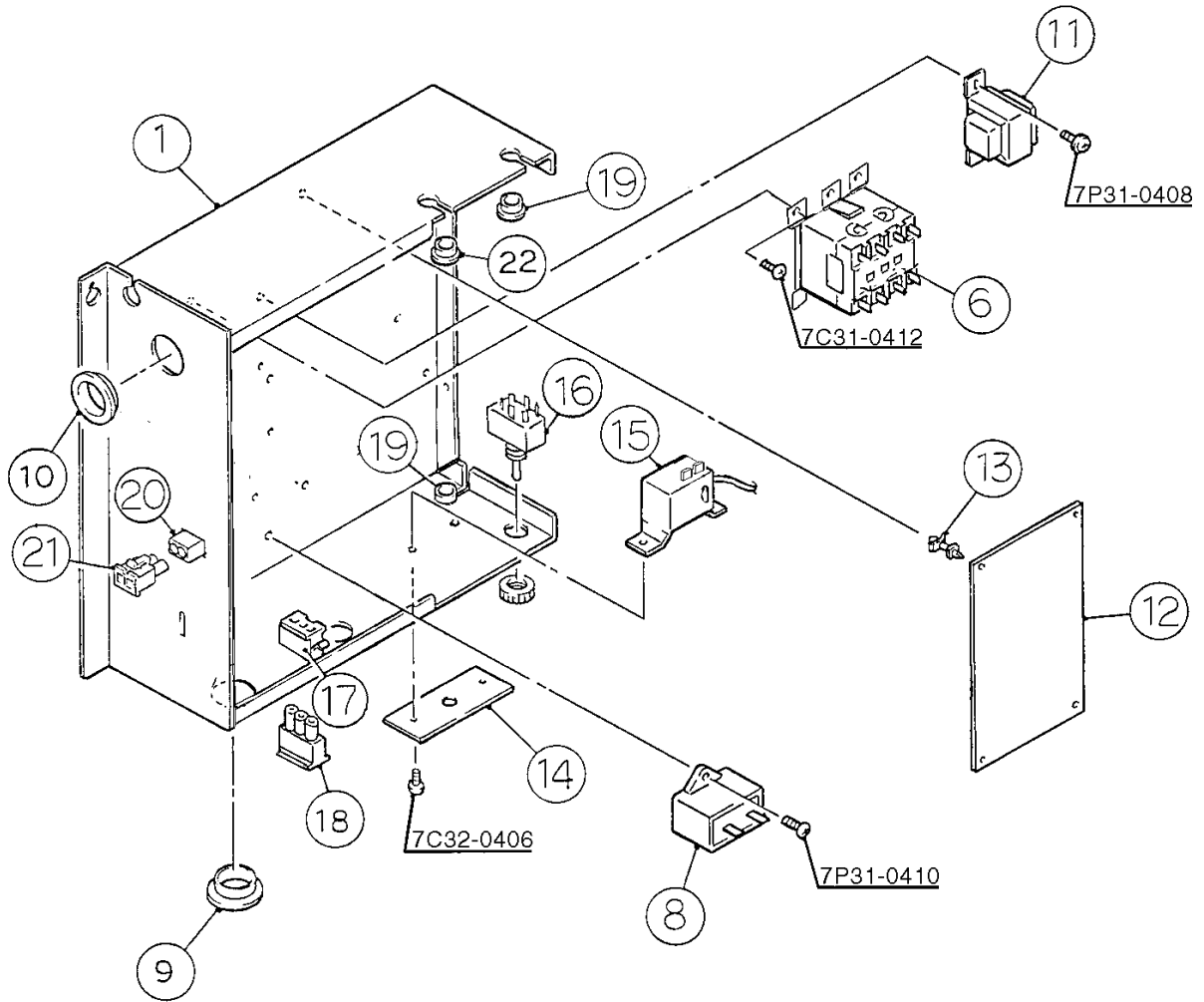
MODEL: KM-1300SAF/3, KM-1300SWF/3, KM-1300SRF/3 TITLE: C. WATER CIRCUIT											
INDEX NO.	DESCRIPTION	MATERIAL OR MODEL NUMBER	PART NUMBER	REQUIRED NUMBER							
				H-0	H-1	J-0	J-1	K-0	L-0	L-1	
44	VALVE HOLDER	GS	3A1178-01	1	1	1	1	1	1	1	
	TRUSS HEAD SCREW	4X8	7C31-0408	3	3	3	3	3	3	3	
45	MICRO SWITCH	V3L-111-D8	436386-01	1	1	1	1	1	1	1	
46	TAPPING SCREW	3X14	431415-02	2	2	2	2	2	2	2	
47	JOINT HOSE	EPDM	439309-02	1	1	1	1	1	1	1	
	T2 SCREW	4X8	7P31-0408	1	1	1	1	1	1	1	
48	HANDLE	JH1352	215383-01	1	1	1	1	1	1	1	
49	CORNER INSULATION (A)	PE	439376-01	1	1	1	1	1	1	1	
50	CORNER INSULATION (B)	PE	439392-01	1	1	1	1	1	1	1	
51	FLOAT SWITCH STOP	SS	4A0137-01	1	1	1	1	1	1	1	
52	VINYL HOSE	L=170	7716-2732	1	1	1	1	1	1	1	
53	VINYL HOSE	L=230	7716-2732	1	1	1	1	1	1	1	
54	INSULATION HOSE	L=80	7762-3555	1	1	1	1	1	1	1	
55	INSULATION HOSE	L=120	7762-3555	1	1	1	1	1	1	1	
56	INSULATION HOSE	L=150	7762-3555	1	1	1	1	1	1	1	
57	SILICONE HOSE	L=140	7730I3812	1	1	1	1	1	1	1	
58	SILICONE HOSE	L=390	7730I3896	1	1	1	1	1	1	1	
59	WIRE SADDLE	VWS4238-C	4A0338-02	8	8	8	8	8	8	8	
60	CABLE TIE	CV-200	7920-0010	3	3	3	3	3	3	3	



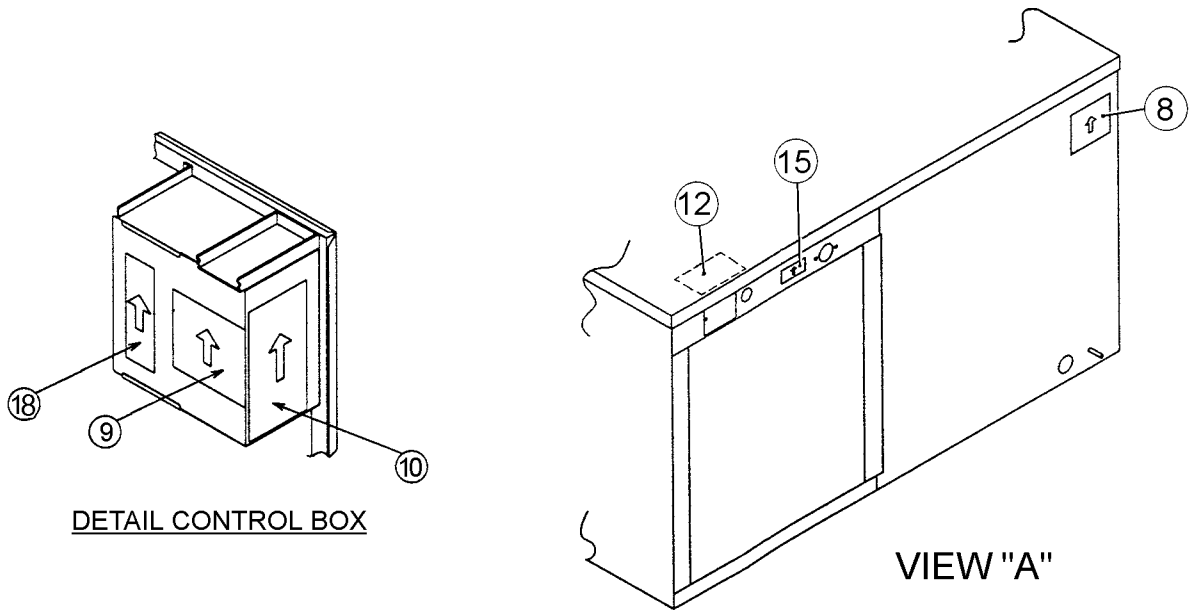
MODEL: KM-1300SAF, KM-1300SWF, KM-1300SRF TITLE: D. CONTROL BOX ASSEMBLY											
INDEX NO.	DESCRIPTION	MATERIAL OR MODEL NUMBER	PART NUMBER	REQUIRED NUMBER							
				H-0	H-1	J-0	K-0	L-0	L-1		
1	CONTROL BOX	GS	2A1082G01	1	1	1	1	1	1		
2	CAPACITOR - STARTING	3535B8A014 5A250A5	3A0076-01	1	1	1	1	1	1		
3	CAPACITOR	RS37B0035U NHG03	439943-01	1	1	1	1	1	1		
4	STRAP	GS	434580-04	1	1	1	1	1	1		
	T2 SCREW	4X8	7P31-0408	1	1	1	1	1	1		
5	STARTER	-	434923-01	1	1	1	x1				
		-	4A1107-07				o1	1	1		
	T2 SCREW	4X8	7P31-0408	1	1	1	1	1	1		
6	MAGNETIC CONTACTOR	VC20	428393-01	1	1	1	1	1	1		
7	BRACKET	-	428393F01	1	1	1	1	1	1		
	T2 SCREW	4X8	7P31-0408	2	2	2	2	2	2		
8	CAPACITOR	250VAC, 10MFD	443192-01	1	1	1	1	1	1		
	T2 SCREW	4X10	7P31-0410	1	1	1	1	1	1		
9	BUSHING	SB-1093-15	420470-03	1	1	1	1	1	1		
10	BUSHING	SB-1093-13	420470-12	1	1	1	1	1	1		
11	TRANSFORMER	26D285H	3A0172-01	1	1	1	1	1	1		
	T2 SCREW	4X8	7P31-0408	2	2	2	2	2	2		
12	CONTROLLER BOARD	MY9KM910	2U0127-01	1	-						
		HOSHIZAKI0 01	2A0836-01		1	x1					
		-	2A1410-01			o1	1	1	1		
13	BOARD SUPPORT	CBLS18-M	4A0336-03	6	4	4	4	4	4		
14	CONTROL LABEL	PES FILM	434934-01	1	-						
		PES FILM	4A1758-01		1	1	1	1	1		
15	THERMOSTAT	A30-3842-00	4A0824-02	1	1	1	1	1	1		
	TRUSS HEAD SCREW	4X6	7C31-0406	2	2	2	2	2	2		
16	TOGGLE SWITCH	8966K84	443119-01	1	1	1	1	1	1		

HA

MODEL: KM-1300SAF, SWF, SRF TITLE: D. CONTROL BOX ASSEMBLY											
INDEX NO.	DESCRIPTION	MATERIAL OR MODEL NUMBER	PART NUMBER	REQUIRED NUMBER							
				H-0	H-1	J-0	K-0	L-0	L-1		
17	3P PLUG HOUSING	3191-03P	412832-06	1	1	1	1	1	1		
18	3P RECEPTACLE HOUSING	3191-03R1	412831-06	1	1	1	1	1	1		
19	BUSHING	OCB-500	428394-02	2	2	2	2	2	2		
20	2P PLUG HOUSING	3191-02P	412832-07	1	1	1	1	1	1		
21	2P RECEPTACLE HOUSING	3191-02R1	412831-07	1	1	1	1	1	1		
22	BUSHING	OCB-875	428394-04	1	1	1	1	1	1		

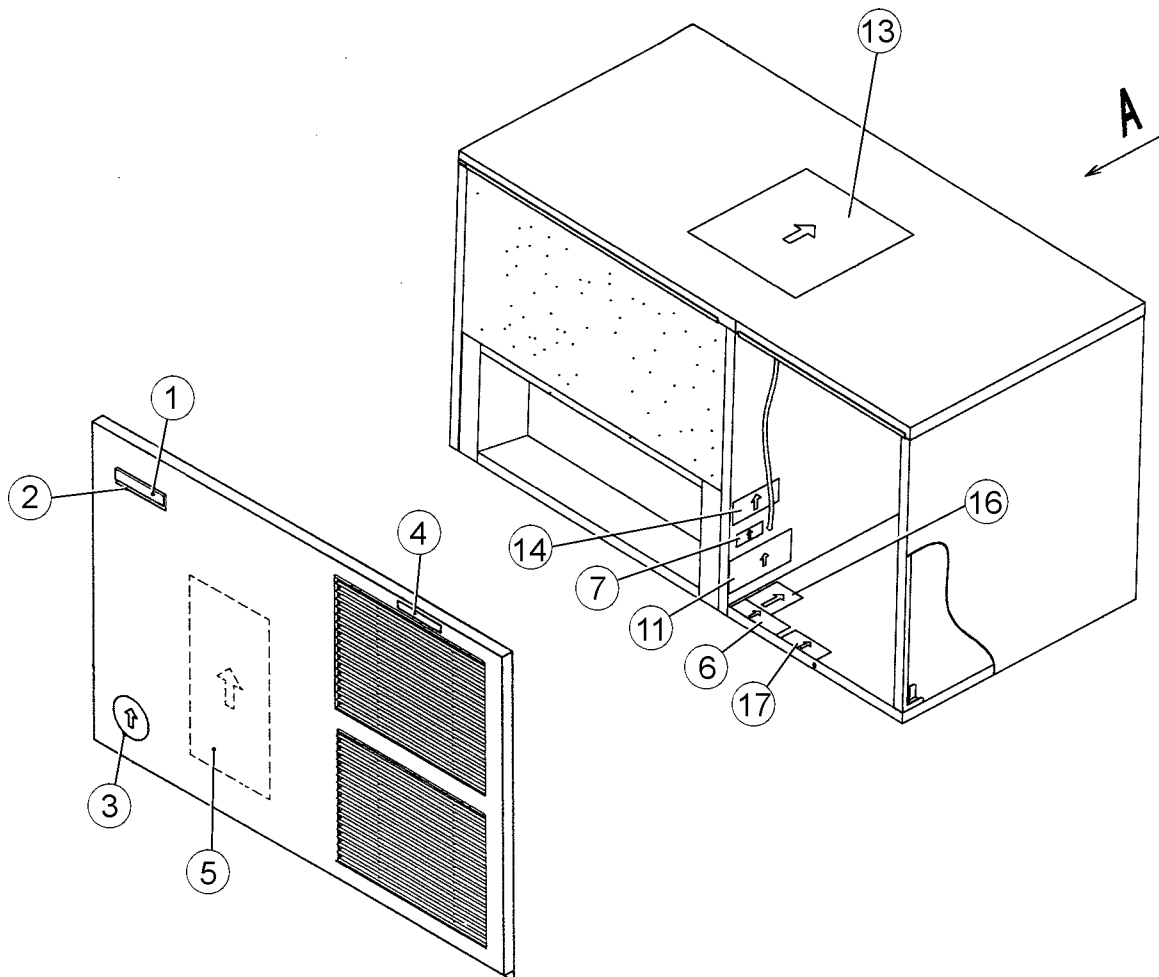


MODEL: KM-1300SAF3, SWF3, SRF3 TITLE: D. CONTROL BOX ASSEMBLY											
INDEX NO.	DESCRIPTION	MATERIAL OR MODEL NUMBER	PART NUMBER	REQUIRED NUMBER							
				H-0	H-1	J-0	J-1	K-0	L-0		
1	CONTROL BOX	GS	2A1082G02	1	1	1	1	1	1		
6	MAGNETIC CONTACTOR	A77-309040A-226	4A0794-01	1	1	1	1	1	1		
	TRUSS HEAD	4X12	7C31-0412	2	2	2	2	2	2		
8	CAPACITOR	250VAC, 10MFD	443192-01	1	1	1	1	1	1		
	T2 SCREW	4X10	7P31-0410	1	1	1	1	1	1		
9	BUSHING	SB-1093-15	420470-03	1	1	1	1	1	1		
10	BUSHING	SB-1093-13	420470-12	1	1	1	1	1	1		
11	TRANSFORMER	26D285H	3A0172-01	1	1	1	1	1	1		
	T2 SCREW	4X8	7P31-0408	2	2	2	2	2	2		
12	CONTROLLER BOARD	MY9KM910	2U0127-01	1	-						
		HOSHIZAKI01	2A0836-01		1	x1					
		-	2A1410-01			o1	1	1	1		
13	BOARD SUPPORT	CBLS18-M	4A0336-03	6	4	4	4	4	4		
14	CONTROL LABEL	PES FILM	434934-01	1	-						
		PES FILM	4A1758-01		1	1	1	1	1		
15	THERMOSTAT	A30-3842-00	4A0824-02	1	1	1	1	1	1		
	TRUSS HEAD SCREW	4X6	7C31-0406	2	2	2	2	2	2		
16	TOGGLE SWITCH	8966K84	443119-01	1	1	1	1	1	1		
17	3P PLUG HOUSING	3191-03P	412832-06	1	1	1	1	1	1		
18	3P RECEPTACLE HOUSING	3191-03R1	412831-06	1	1	1	1	1	1		
19	BUSHING	OCB-500	428394-02	2	2	2	2	2	2		
20	2P PLUG HOUSING	3191-02P	412832-07	1	1	1	1	1	1		
21	2P RECEPTACLE HOUSING	3191-02PR1	412831-07	1	1	1	1	1	1		
22	BUSHING	OCB-875	428394-04	1	1	1	1	1	1		



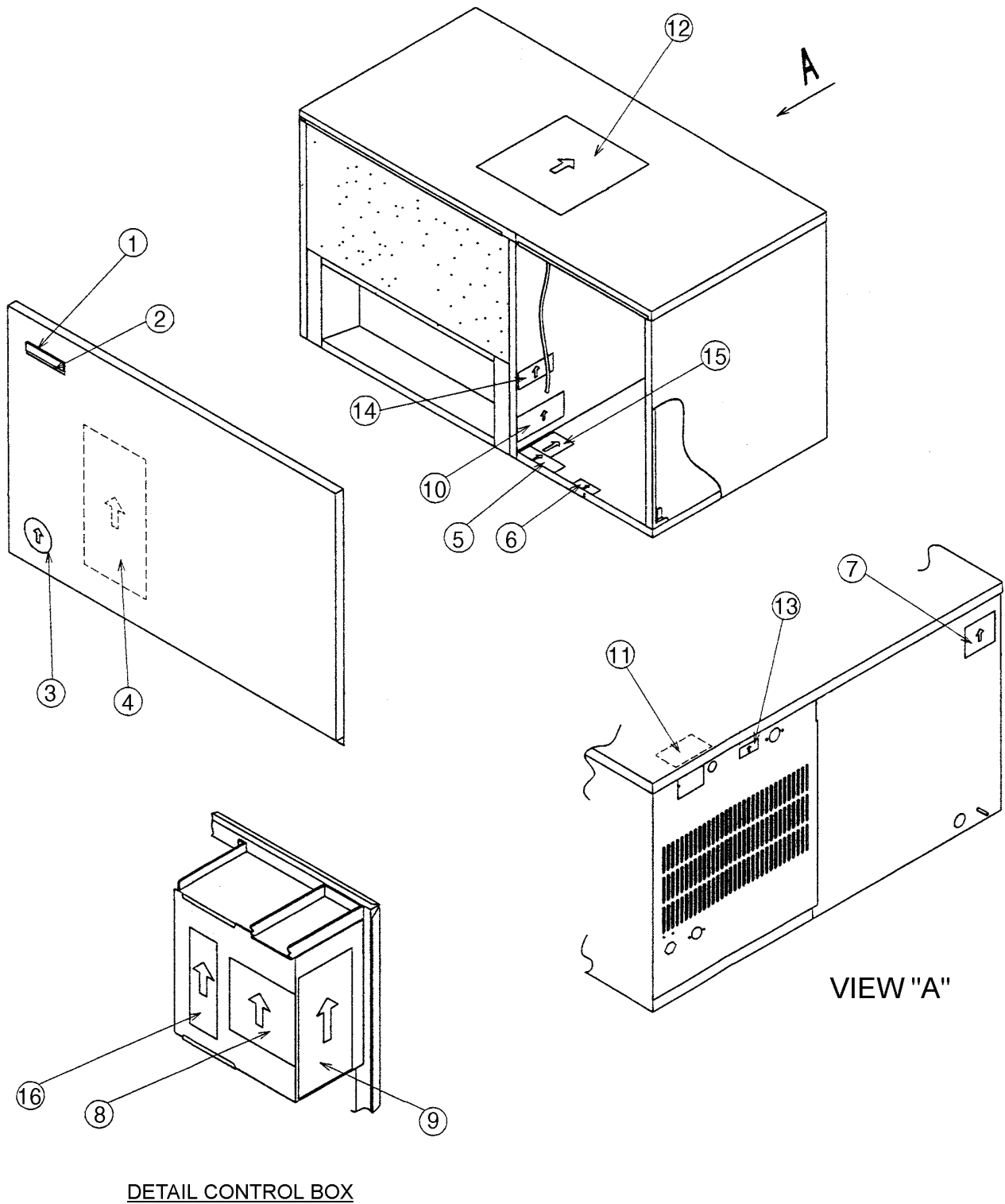
DETAIL CONTROL BOX

VIEW "A"



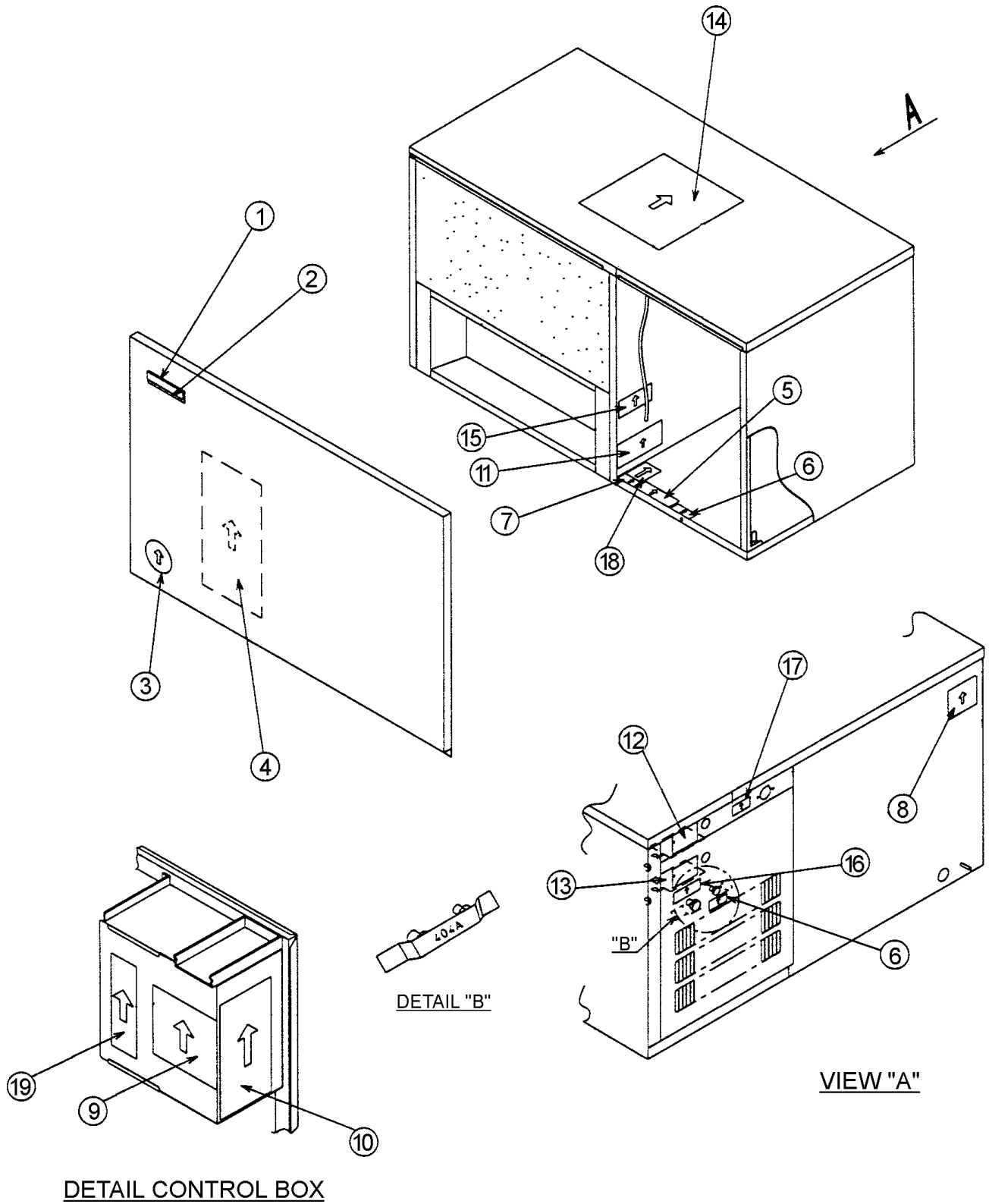
MODEL: KM-1300SAF TITLE: E. LABEL LOCATION											
INDEX NO.	DESCRIPTION	MATERIAL OR MODEL NUMBER	PART NUMBER	REQUIRED NUMBER							
				H-0	H-1	J-0	K-0	L-0	L-1		
1	EMBLEM	PETP FILM	4A0560-01	1	1	1	1	1	1		
2	MODEL NUMBER LABEL	PETP FILM	4A1233-24	1	1	1	1	1	1		
3	LABEL - PENGUIN (R)	PETP FILM	4A0526-01	1	1	1	1	1	1		
4	LABEL - AIR FILTER	PETP FILM	426177-01	1	1	1	1	1	1		
5	MAINTENANCE LABEL	PVC FILM	326275-01	1	1	1	1	1	1		
6	CAUTION LABEL (K)	PVC FILM	439150-01	1	1	1	1	1	1		
7	LABEL – R404A	PES FILM	4A0960-01	1	1	1	1	1	1		
8	NAMEPLATE	PES FILM	4A1409-01	1	1	1	1	1	1		
9	WIRING LABEL	PVC FILM	328081-01	1	1	1	1	1	1		
10	MANUAL LABEL	PVC FILM	324476-01	1	1	1	1	1	1		
11	MANUAL LABEL - BIN CONTROL	PVC FILM	324477-01	1	1	1	1	1	1		
12	TAG - WARNING: ELECTRICAL CONNECTION	PAPER	428430-01	1	1	1	1	1	1		
13	INSTRUCTION SHEET	PAPER	2A1084-01	1	1	1	1	1	1		
14	OPERATION LABEL - VALVE	PVC FILM	439541-01	1	1	1	1	1	1		
15	INSTRUCTION LABEL	PVC FILM	444575-01	1	1	1	1	1	1		
16	RATING LABEL	PES FILM	4A1591-01	1	1	1	1	1	1		
17	CAUTION LABEL (F)	PVC FILM	439146-01	1	1	1	1	1	1		
18	LABEL - CONTROL BOARD	-	3A0998-01		1	x1					
		-	3A1272-01			o1	1	1	1		

MODEL: KM-1300SAF3 TITLE: E. LABEL LOCATION											
INDEX NO.	DESCRIPTION	MATERIAL OR MODEL NUMBER	PART NUMBER	REQUIRED NUMBER							
				H-1	J-1	K-0	L-0				
1	EMBLEM	PETP FILM	4A0560-01	1	1	1	1				
2	MODEL NUMBER LABEL	PETP FILM	4A1233-27	1	1	1	1				
3	LABEL - PENGUIN (R)	PETP FILM	4A0526-01	1	1	1	1				
4	LABEL - AIR FILTER	PETP FILM	426177-01	1	1	1	1				
5	MAINTENANCE LABEL	PVC FILM	326275-01	1	1	1	1				
6	CAUTION LABEL (K)	PVC FILM	439150-01	1	1	1	1				
7	LABEL – R404A	PES FILM	4A0960-01	1	1	1	1				
8	NAMEPLATE	PES FILM	4A1590-01	1	1	1	1				
9	WIRING LABEL	PVC FILM	3A1051-01	1	1	1	1				
10	MANUAL LABEL	PVC FILM	324476-01	1	1	1	1				
11	MANUAL LABEL - BIN CONTROL	PVC FILM	324477-01	1	1	1	1				
12	TAG - WARNING: ELECTRICAL CONNECTION	PAPER	438479-01	1	1	1	1				
13	INSTRUCTION SHEET	PAPER	2A1084-01	1	1	1	1				
14	OPERATION LABEL - VALVE	PVC FILM	439541-01	1	1	1	1				
15	INSTRUCTION LABEL	PVC FILM	444575-01	1	1	1	1				
16	RATING LABEL	PES FILM	4A1592-01	1	1	1	1				
17	CAUTION LABEL (F)	PVC FILM	439146-01	1	1	1	1				
18	LABEL - CONTROL BOARD	-	3A0998-01	1	x1						
		-	3A1272-01		o1	1	1				



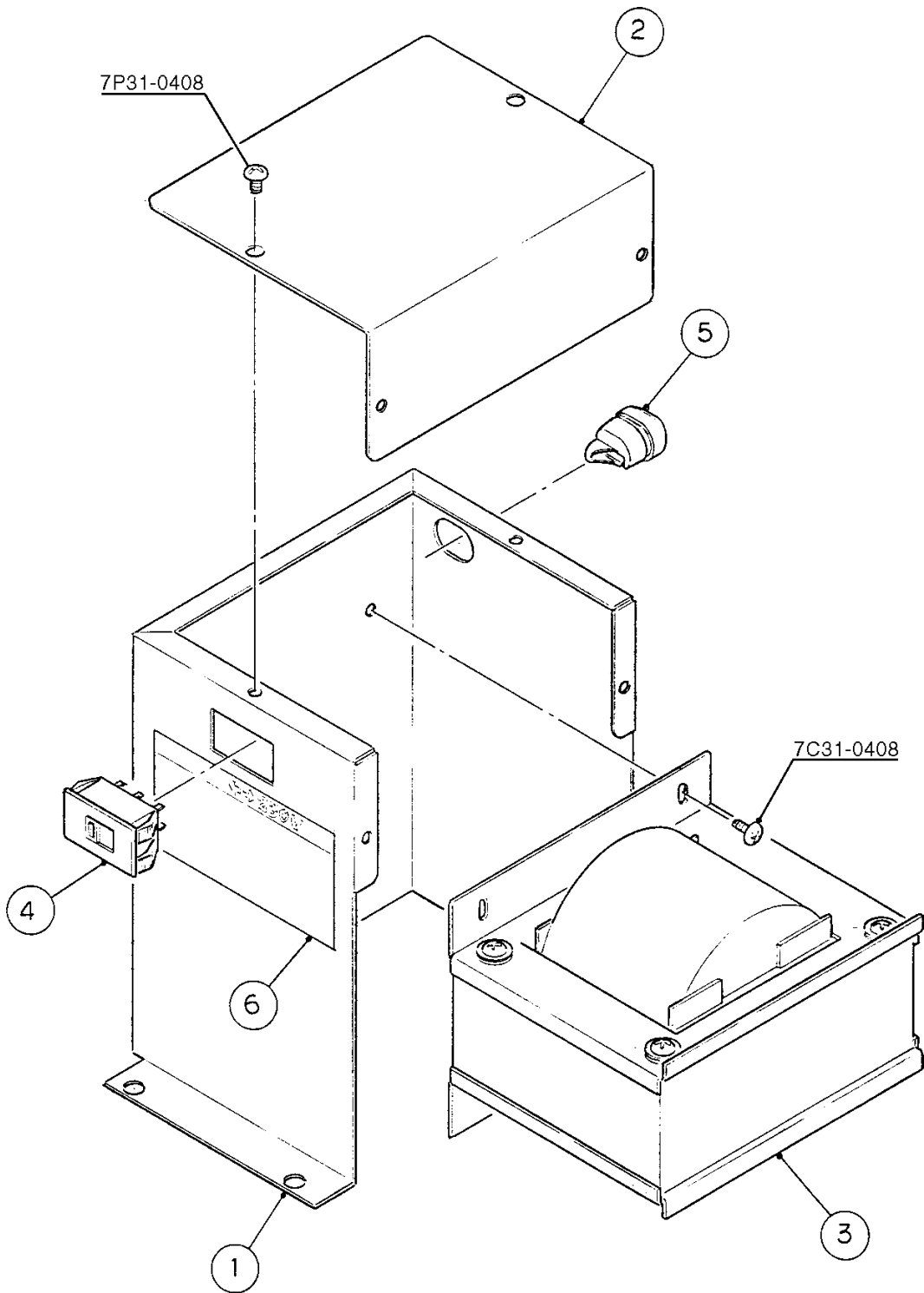
MODEL: KM-1300SWF TITLE: E. LABEL LOCATION										
INDEX NO.	DESCRIPTION	MATERIAL OR MODEL NUMBER	PART NUMBER	REQUIRED NUMBER						
				H-0	H-1	J-0				
1	EMBLEM	PETP FILM	4A0560-01	1	1	1				
2	MODEL NUMBER LABEL	PETP FILM	4A1233-25	1	1	1				
3	LABEL - PENGUIN (R)	PETP FILM	4A0526-01	1	1	1				
4	MAINTENANCE LABEL	PVC FILM	326275-01	1	1	1				
5	CAUTION LABEL (K)	PVC FILM	439150-01	1	1	1				
6	LABEL – R404A	PES FILM	4A0960-01	1	1	1				
7	NAMEPLATE	PES FILM	4A1486-01	1	1	1				
8	WIRING LABEL	PVC FILM	328081-01	1	1	1				
9	MANUAL LABEL	PVC FILM	324476-01	1	1	1				
10	MANUAL LABEL - BIN CONTROL	PVC FILM	324477-01	1	1	1				
11	TAG - WARNING: ELECTRICAL CONNECTION	PAPER	428430-01	1	1	1				
12	INSTRUCTION SHEET	PAPER	2A1084-01	1	1	1				
13	INSTRUCTION LABEL	PVC FILM	444575-01	1	1	1				
14	OPERATION LABEL - VALVE	PVC FILM	439541-01	1	1	1				
15	RATING LABEL	PES FILM	4A1580-01	1	1	1				
16	LABEL - CONTROL BOARD		3A0998-01		1	1				
			3A1272-01							

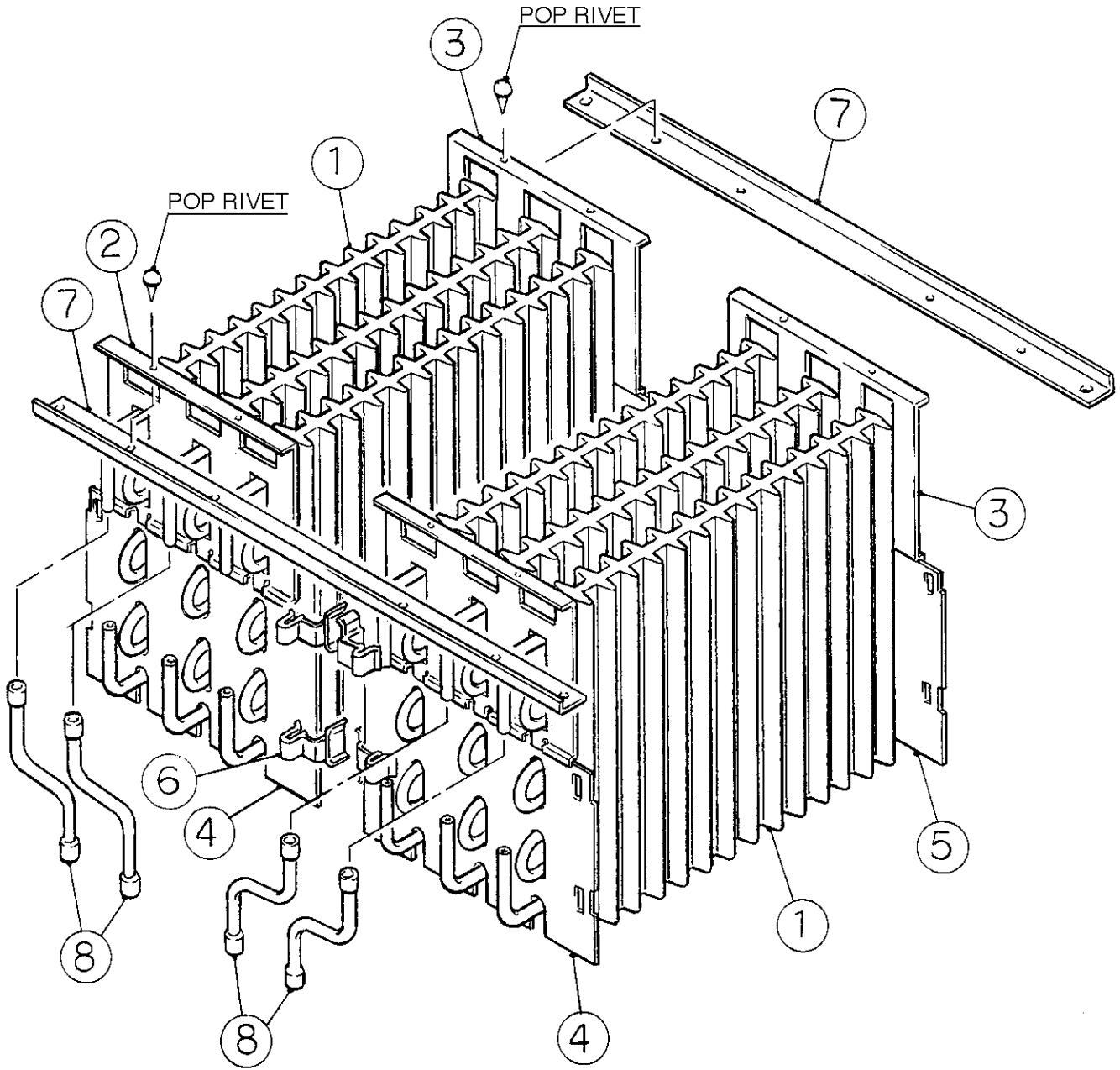
MODEL: KM-1300SWF3 TITLE: E. LABEL LOCATION											
INDEX NO.	DESCRIPTION	MATERIAL OR MODEL NUMBER	PART NUMBER	REQUIRED NUMBER							
				H-0	H-1	J-0	K-0	L-0			
1	EMBLEM	PETP FILM	4A0560-01	1	1	1	1	1			
2	MODEL NUMBER LABEL	PETP FILM	4A1233-28	1	1	1	1	1			
3	LABEL - PENGUIN (R)	PETP FILM	4A0526-01	1	1	1	1	1			
4	MAINTENANCE LABEL	PVC FILM	326275-01	1	1	1	1	1			
5	CAUTION LABEL (K)	PVC FILM	439150-01	1	1	1	1	1			
6	LABEL – R404A	PES FILM	4A0960-01	1	1	1	1	1			
7	NAMEPLATE	PES FILM	4A1662-01	1	1	1	1	1			
8	WIRING LABEL	PVC FILM	328081-01	1	1	1	1	1			
9	MANUAL LABEL	PVC FILM	324476-01	1	1	1	1	1			
10	MANUAL LABEL - BIN CONTROL	PVC FILM	324477-01	1	1	1	1	1			
11	TAG - WARNING: ELECTRICAL CONNECTION	PAPER	438479-01	1	1	1	1	1			
12	INSTRUCTION SHEET	PAPER	2A1084-01	1	1	1	1	1			
13	INSTRUCTION LABEL	PVC FILM	444575-01	1	1	1	1	1			
14	OPERATION LABEL - VALVE	PVC FILM	439541-01	1	1	1	1	1			
15	RATING LABEL	PES FILM	4A1663-01	1	1	1	1	1			
16	LABEL - CONTROL BOARD	-	3A0998-01		1	x1					
		-	3A1272-01			o1	1	1			

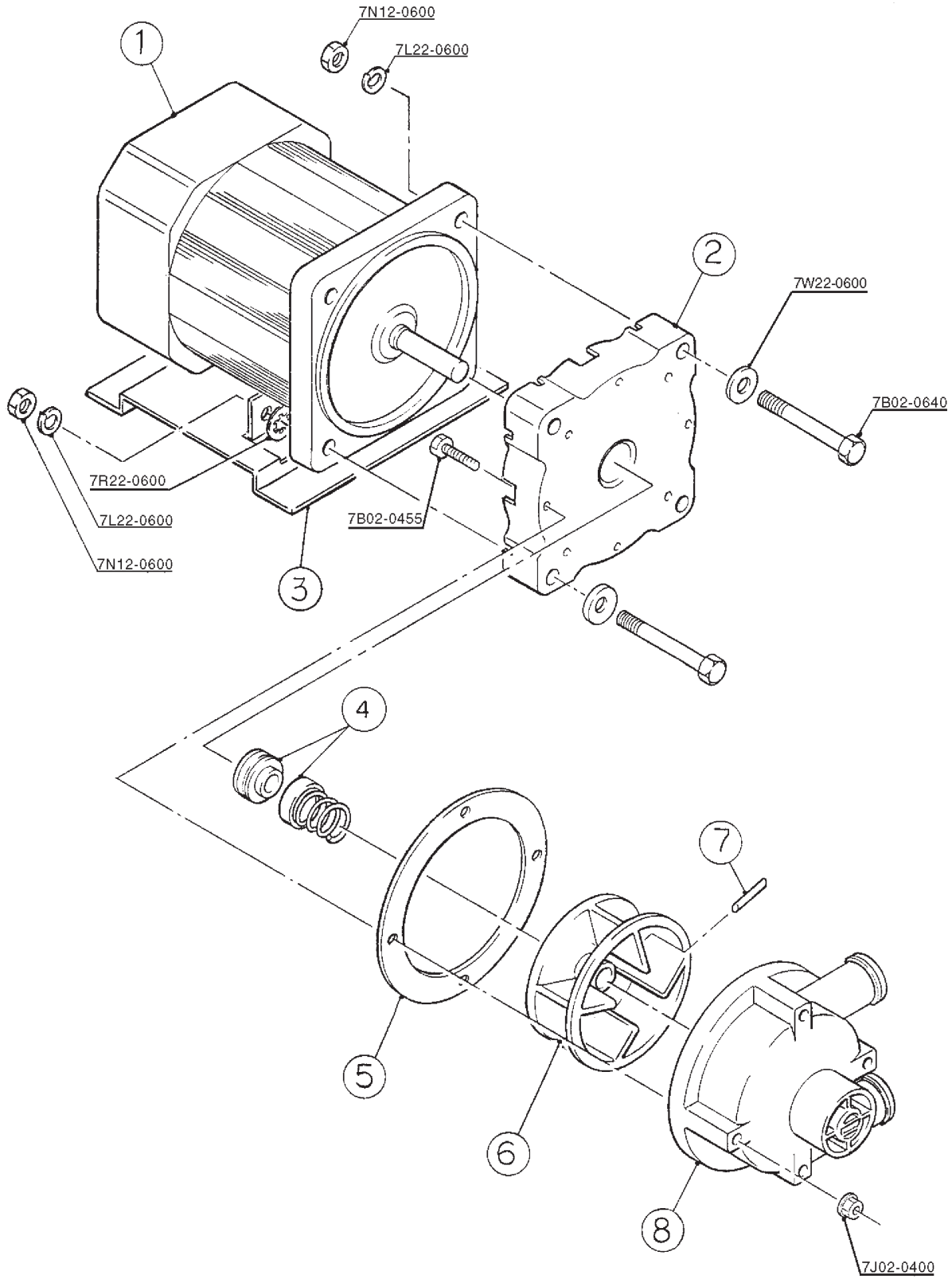


MODEL: KM-1300SRF TITLE: E. LABEL LOCATION											
INDEX NO.	DESCRIPTION	MATERIAL OR MODEL NUMBER	PART NUMBER	REQUIRED NUMBER							
				H-0	H-1	J-0	K-0	L-0			
1	EMBLEM	PETP FILM	4A0560-01	1	1	1	1	1			
2	MODEL NUMBER LABEL	PETP FILM	4A1233-26	1	1	1	1	1			
3	LABEL - PENGUIN (R)	PETP FILM	4A0526-01	1	1	1	1	1			
4	MAINTENANCE LABEL	PVC FILM	326275-01	1	1	1	1	1			
5	CAUTION LABEL (K)	PVC FILM	439150-01	1	1	1	1	1			
6	LABEL – R404A	PES FILM	4A0960-01	2	2	2	2	2			
7	LABEL - CHARGE	PES FILM	4A1399-01	1	1	1	1	1			
8	NAMEPLATE	PES FILM	4A1410-01	1	1	1	1	1			
9	WIRING LABEL	PVC FILM	3A0967-01	1	1	1	1	1			
10	MANUAL LABEL	PVC FILM	324476-01	1		1		1			
11	MANUAL LABEL - BIN CONTROL	PVC FILM	324477-01	1	1	1	1	1			
12	TAG - WARNING: ELECTRICAL CONNECTION	PAPER	428430-01	1	1	1	1	1			
13	TAG - FAN MOTOR LEADS	PAPER	4A1494-01	1	1	1	1	1			
14	INSTRUCTION SHEET	PAPER	2A1084-01	1	1	1	1	1			
15	OPERATION LABEL - VALVE	PVC FILM	439541-01	1	1	1	1	1			
16	CAUTION – REMOTE LABEL	-	4A1491-01	1	1	1	1	1			
17	INSTRUCTION LABEL	PVC FILM	444575-01	1	1	1	1	1			
18	RATING LABEL	PES FILM	4A1646-01	1	1	1	1	1			
19	LABEL – CONTROL BOARD	-	3A0998-01		1	x1					
		-	3A1272-01			o1	1	1			

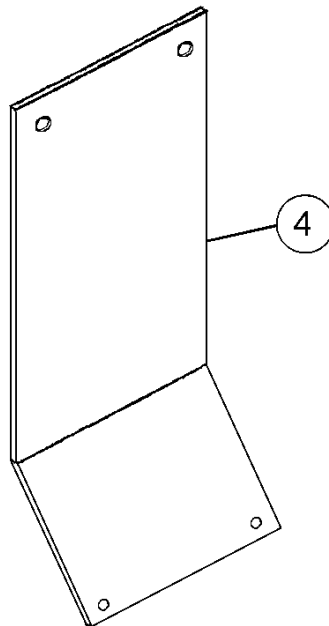
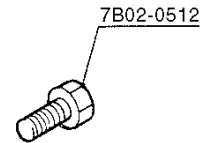
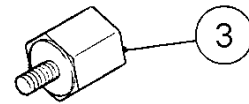
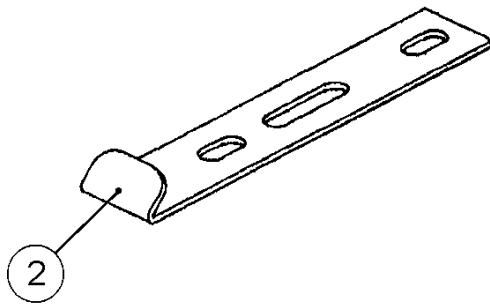
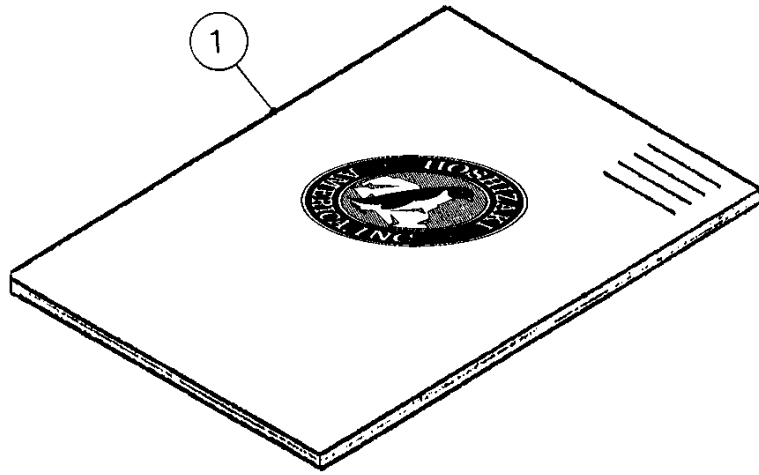
MODEL: KM-1300SRF3 TITLE: E. LABEL LOCATION											
INDEX NO.	DESCRIPTION	MATERIAL OR MODEL NUMBER	PART NUMBER	REQUIRED NUMBER							
				H-0	H-1	J-1	K-0	L-0			
1	EMBLEM	PETP FILM	4A0560-01	1	1	1	1	1			
2	MODEL NUMBER LABEL	PETP FILM	4A1233-29	1	1	1	1	1			
3	LABEL - PENGUIN (R)	PETP FILM	4A0526-01	1	1	1	1	1			
4	MAINTENANCE LABEL	PVC FILM	326275-01	1	1	1	1	1			
5	CAUTION LABEL (K)	PVC FILM	439150-01	1	1	1	1	1			
6	LABEL – R404A	PES FILM	4A0960-01	2	2	2	2	2			
7	LABEL - CHARGE	PES FILM	4A1399-01	1	1	1	1	1			
8	NAMEPLATE	PES FILM	4A1410-01	1	1	1	1	1			
9	WIRING LABEL	PVC FILM	3A0967-01	1	1	1	1	1			
10	MANUAL LABEL	PVC FILM	324476-01	1	1	1	1	1			
11	MANUAL LABEL - BIN CONTROL	PVC FILM	324477-01	1	1	1	1	1			
12	TAG - WARNING: ELECTRICAL CONNECTION	PAPER	428430-01	1	1	1	1	1			
13	TAG - FAN MOTOR LEADS	PAPER	4A1494-01	1	1	1	1	1			
14	INSTRUCTION SHEET	PAPER	2A1084-01	1	1	1	1	1			
15	OPERATION LABEL - VALVE	PVC FILM	439541-01	1	1	1	1	1			
16	CAUTION – REMOTE LABEL	-	4A1491-01	1	1	1	1	1			
17	INSTRUCTION LABEL	PVC FILM	444575-01	1	1	1	1	1			
18	RATING LABEL	PES FILM	4A1646-01	1	1	1	1	1			
19	LABEL – CONTROL BOARD	-	3A0998-01		1	x1					
			3A1272-01			o1	1	1			







MODEL: KM-1300SAF/3, SWF/3, SRF/3 TITLE: H. PUMP MOTOR ASSEMBLY											
INDEX NO.	DESCRIPTION	MATERIAL OR MODEL NUMBER	PART NUMBER	REQUIRED NUMBER							
				H-0	H-1	J-0	J-1	K-0	L-0	L-1	
1	PUMP MOTOR	M91A60SP201	2U0106-01	1	1	1	1	1	1	1	
2	PUMP FLANGE	PC	215662-01	1	1	1	1	1	1	1	
3	PUMP MOTOR BRACKET	SS	323904-01	1	1	1	1	1	1	1	
	TOOTH WASHER	SS, M6	7R22-0600	2	2	2	2	2	2	2	
	HEX HEAD BOLT	SS, 6X40	7B02-0640	4	4	4	4	4	4	4	
	FLAT WASHER	SS, M6	7W22-0600	4	4	4	4	4	4	4	
	SPLIT LOCK WASHER	SS, M6	7L22-0600	4	4	4	4	4	4	4	
	NUT	SS, M6	7N12-0600	4	4	4	4	4	4	4	
4	MECHANICAL SEAL	H5-PN, 8MM	428545-01	1	1	1	1	1	1	1	
5	PACKING	EPDM	428547-01	1	1	1	1	1	1	1	
6	IMPELLER	ABS	436584-01	1	1	1	1	1	1	1	
7	PIN	SS	414102-01	1	1	1	1	1	1	1	
8	PUMP HOUSING	ABS	213687-01	1	1	1	1	1	1	1	
	HEX HEAD BOLT	SS, 4X55	7B02-0455	4	4	4	4	4	4	4	
	FLANGE NUT	SS, M4	7J02-0400	4	4	4	4	4	4	4	



MODEL: KM-1300SAF/3, SWF/3, SRF/3				TITLE: J. ACCESSORIES							
INDEX NO.	DESCRIPTION	MATERIAL OR MODEL NUMBER	PART NUMBER	REQUIRED NUMBER							
				H-0	H-1	J-0	J-1	K-0	L-0	L-1	
1	INSTRUCTION MANUAL	PAPER	91A1DA10A	1	1	1	1	x1			
		PAPER	91A1DA10B					o1	1	1	
2	UNIVERSAL BRACE	GS	4A0363-01	2	2	2	2	2	2	2	
	HEX HEAD BOLT	5X12, SS	7B02-0512	4	4	4	4	4	4	4	
3	THUMBSCREW	ABS, SS	415949G01	1	1	1	1	1	1	1	
4	THERMOSTAT EXTENSION BRACKET	SS	3A0408-01	1	1	1	1	1	1	1	
	TRUSS HEAD SCREW	4X10, SS	7C32-0410	2	2	2	2	2	2	2	