

NO.	U1JD 664
EFFECTIVE:	APR. 20, 1986
REVISED:	NOV. 27, 1989



PARTS LIST

MODULAR CRESCENT CUBER

KM-1201

SERIES

F-1	APR. 1986
G-1	DEC. 1986
G-2	FEB. 1987
H-1	DEC. 1987
H-2	MAR. 1988
H-3	JUL. 1988
J-1	DEC. 1988 {DU, DWU}
J-2	DEC. 1988 (DSU)

CONDENSER UNIT
MODEL S-0454

J-1 DEC. 1988

HOSHIZAKI AMERICA, INC.

Materials Abbreviations

PLASTIC

ABS = Acrylonitrile-butadiene-styrene
AC = Acetal copolymer
= Acetal
= Polyacetal
EVA = Ethylene vinyl acetate
PA = Polyamide = Nylon
PC = Polycarbonate
PE = Polyethylene
PES = Polyester
PETP = Polyethylene terephthalate = Tetlon
PP = Polypropyleneoride
PS = Polystyrene
PTFE = Polytetrafluoroethylene = Teflon
PUR = Polyurethane
PVC = Plyvinyl chloride

RUBBER

EPDM = EP rubber
NBR = Nitrile butadiene rubber
NR = Natural rubber
SI.R = Silicone rubber
Sy.R = Synthetic rubber

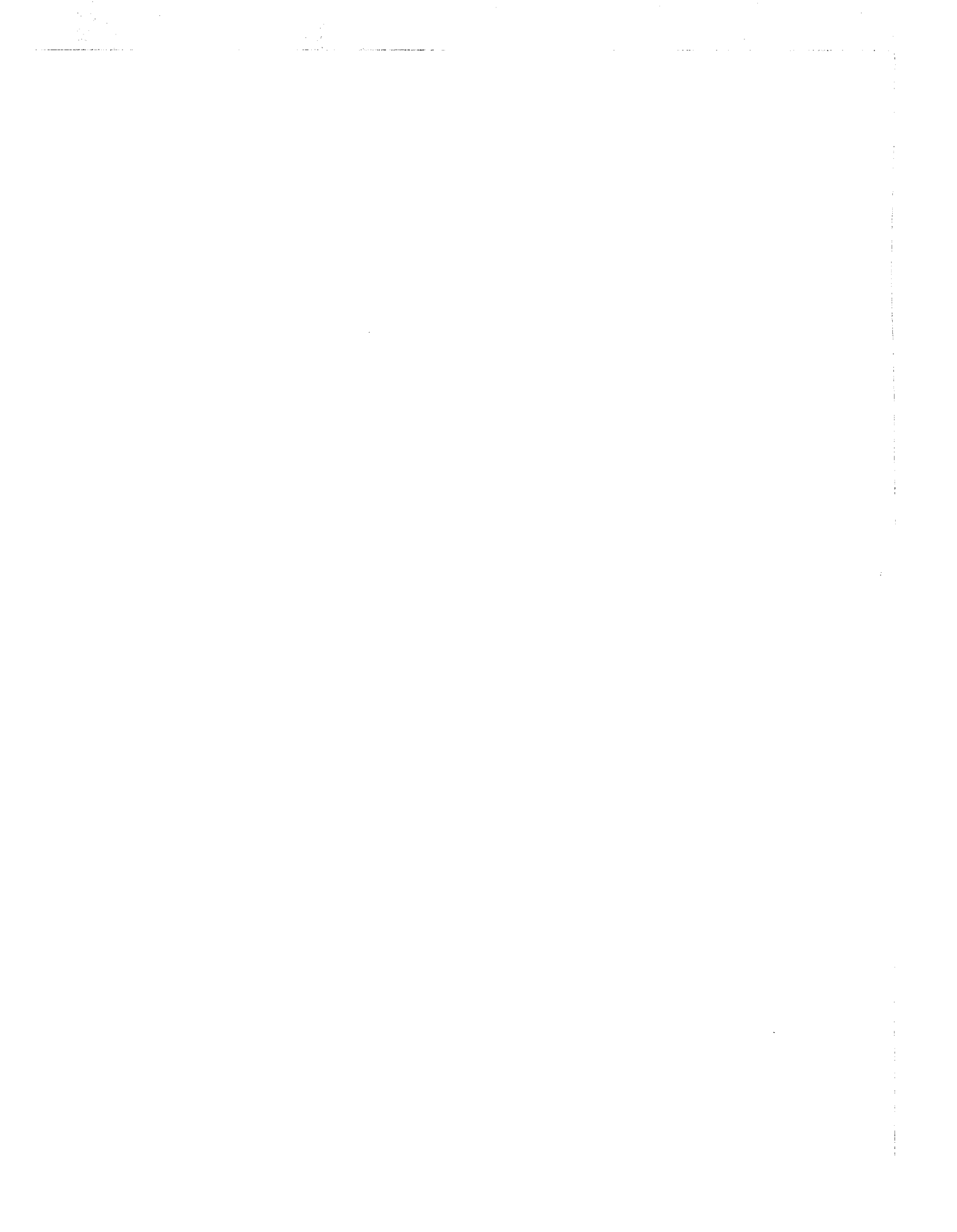
STEEL

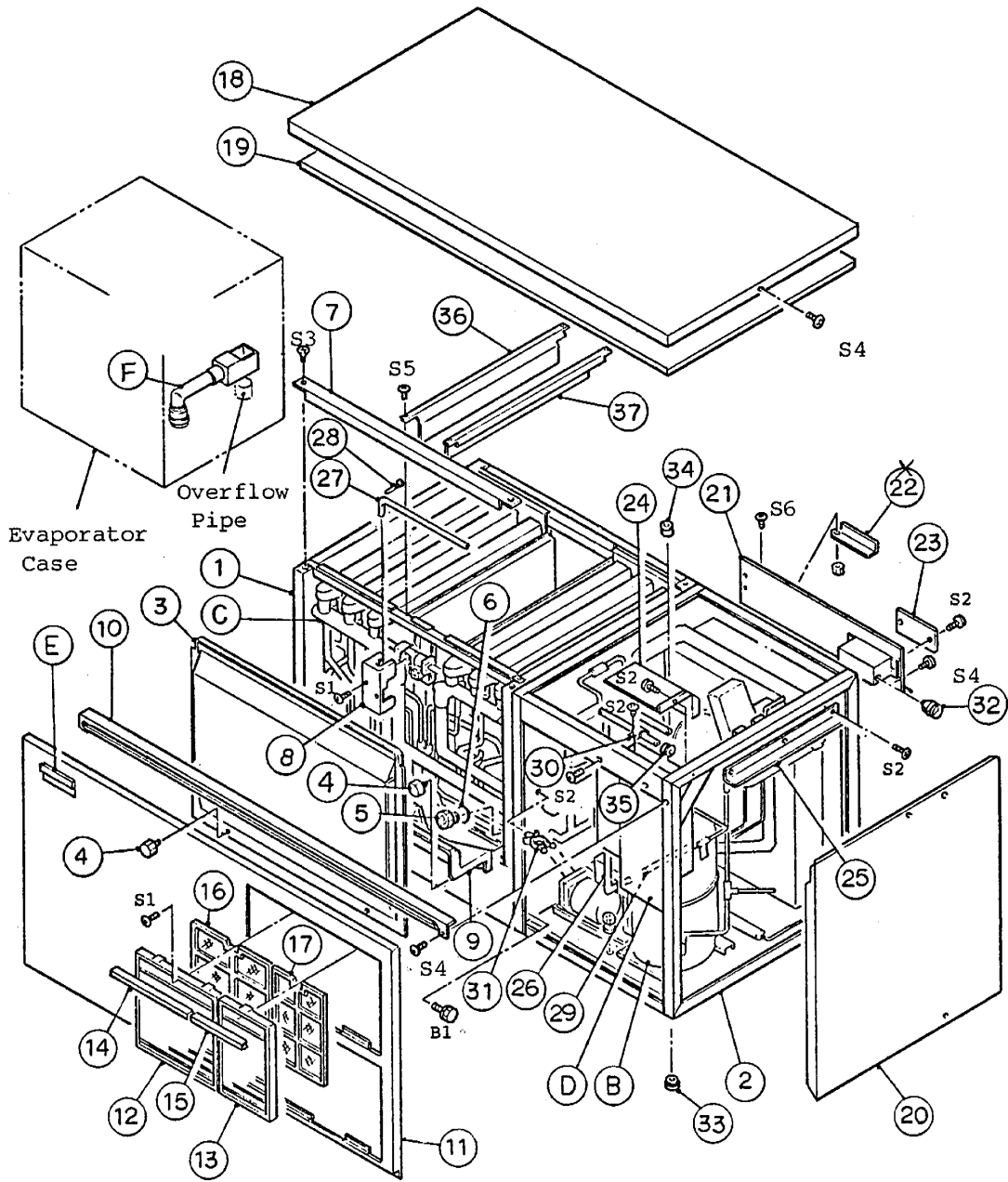
G.S = Galvanized steel
S.S = Stainless steel

Auxiliary Code

- Ex.1 G-0
— The parts are unchanged after the preceding year.
— "G" is the seventh in alphabetical order. So, "G" shows "1987".
- Ex.2 H-1
— "H" is the eighth in alphabetical order. So, "H" shows "1988".
- Ex.3 H-2
— Every time the parts are changed in a year, this number increases.

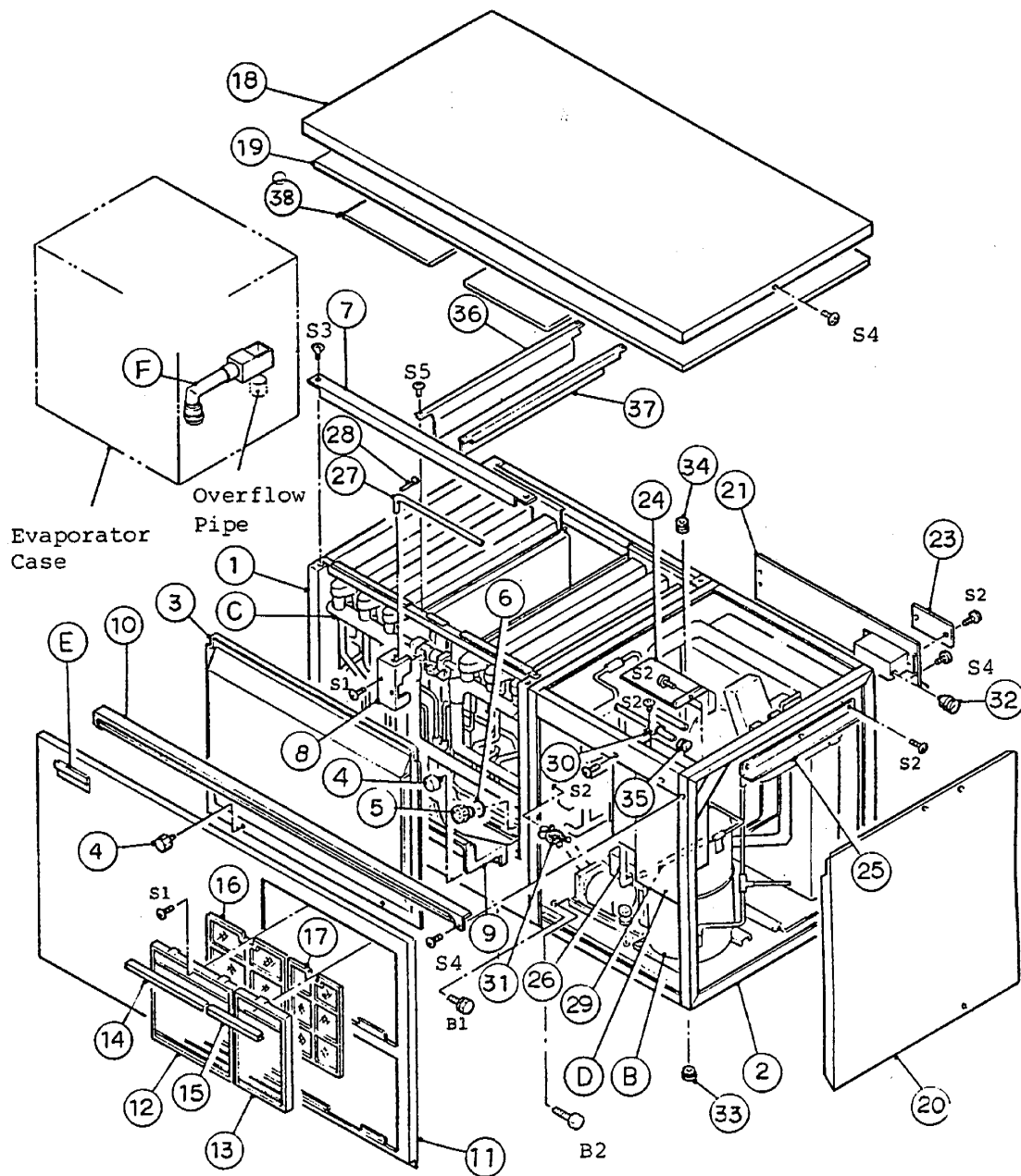
- [Note] — = Parts was erased.
X = Parts was erased. (Interchangeable)
○ = New parts for " X " in the same Auxiliary Code.





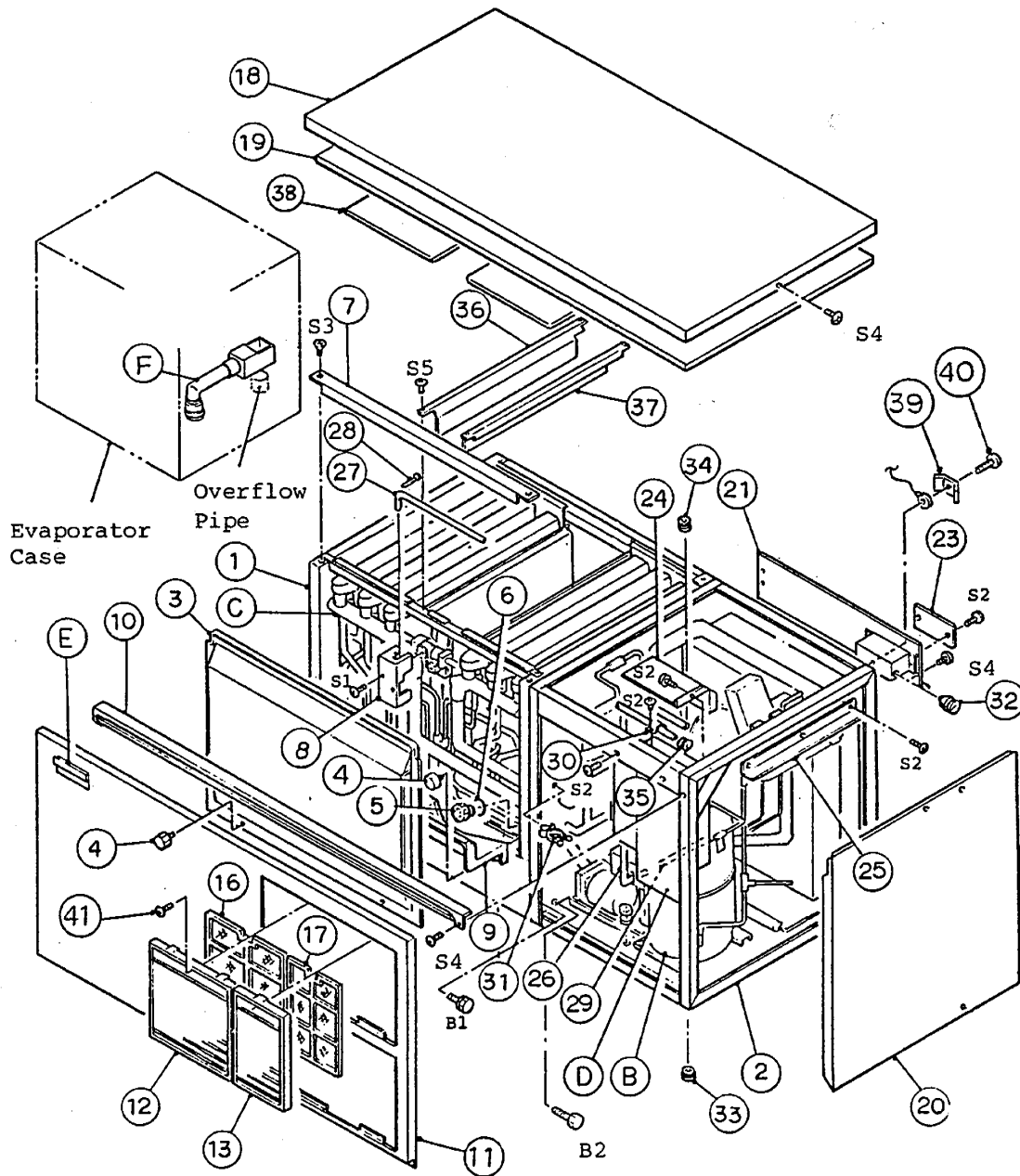
FASTENER

- S1 - TRUSS HEAD TAPPING SCREW, STAINLESS, M4x8
- S2 - TRUSS HEAD TAPPING SCREW, M4x8
- S3 - COUNTERSUNK HEAD MACHINE SCREW, STAINLESS, M4x8
- S4 - PAN HEAD MACHINE SCREW, STAINLESS, M4x8
- S5 - TRUSS HEAD MACHINE SCREW, STAINLESS, M4x8
- S6 - TRUSS HEAD MACHINE SCREW, M4x8
- B1 - HEXAGON BOLT AND SPRING WASHER + PLAIN WASHER ASSY, STAINLESS, M6x16
- B2 - HEXAGON HEAD BOLT, STAINLESS, M6x16



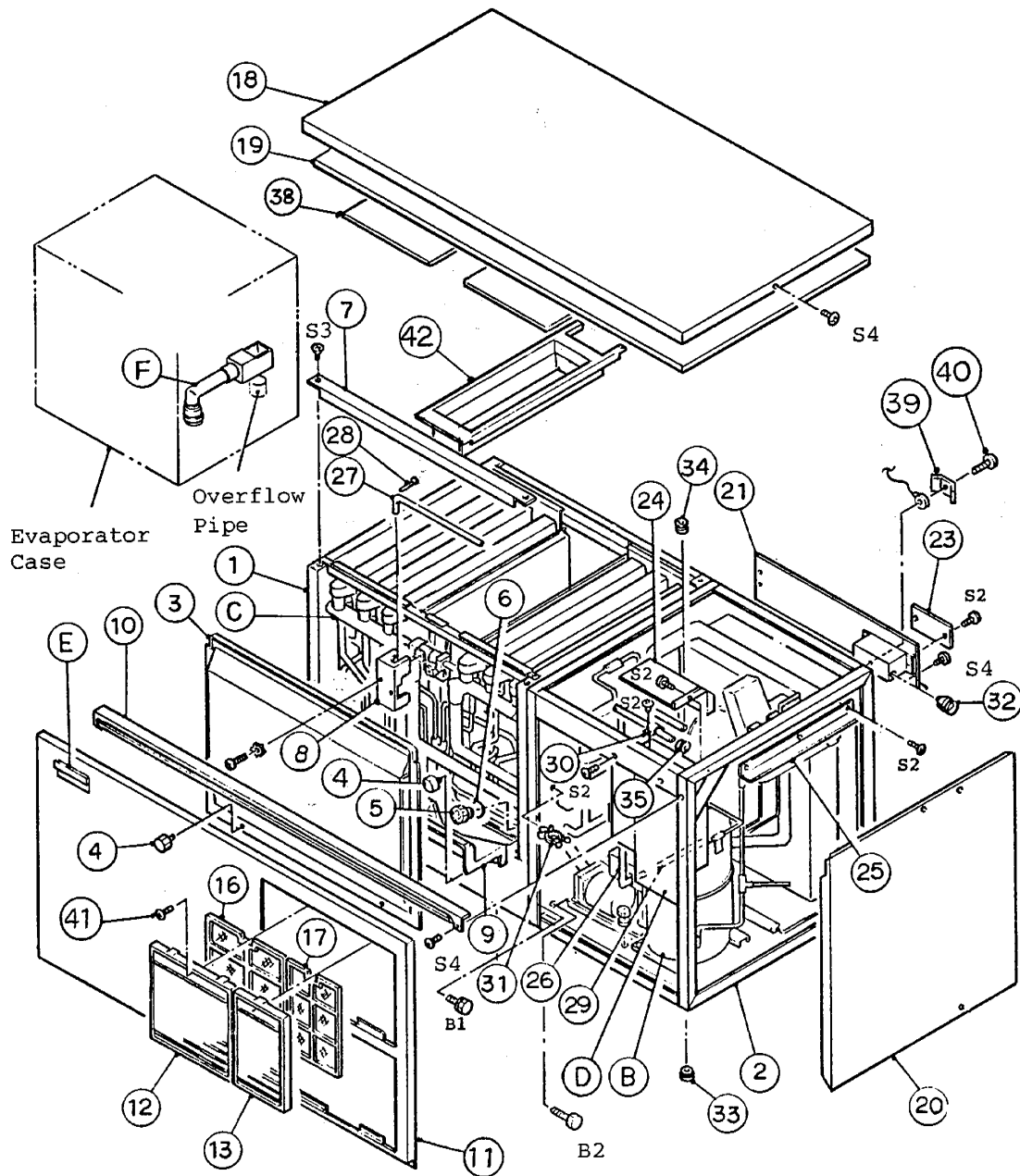
FASTENER

- S1 - TRUSS HEAD TAPPING SCREW, STAINLESS, M4x8
- S2 - TRUSS HEAD TAPPING SCREW, M4x8
- S3 - COUNTERSUNK HEAD MACHINE SCREW, STAINLESS, M4x8
- S4 - PAN HEAD MACHINE SCREW, STAINLESS, M4x8
- S5 - TRUSS HEAD MACHINE SCREW, STAINLESS, M4x8
- B1 - HEXAGON BOLT AND SPRING WASHER + PLAIN WASHER ASSY, STAINLESS, M6x16
- B2 - HEXAGON HEAD BOLT, STAINLESS, M6x16



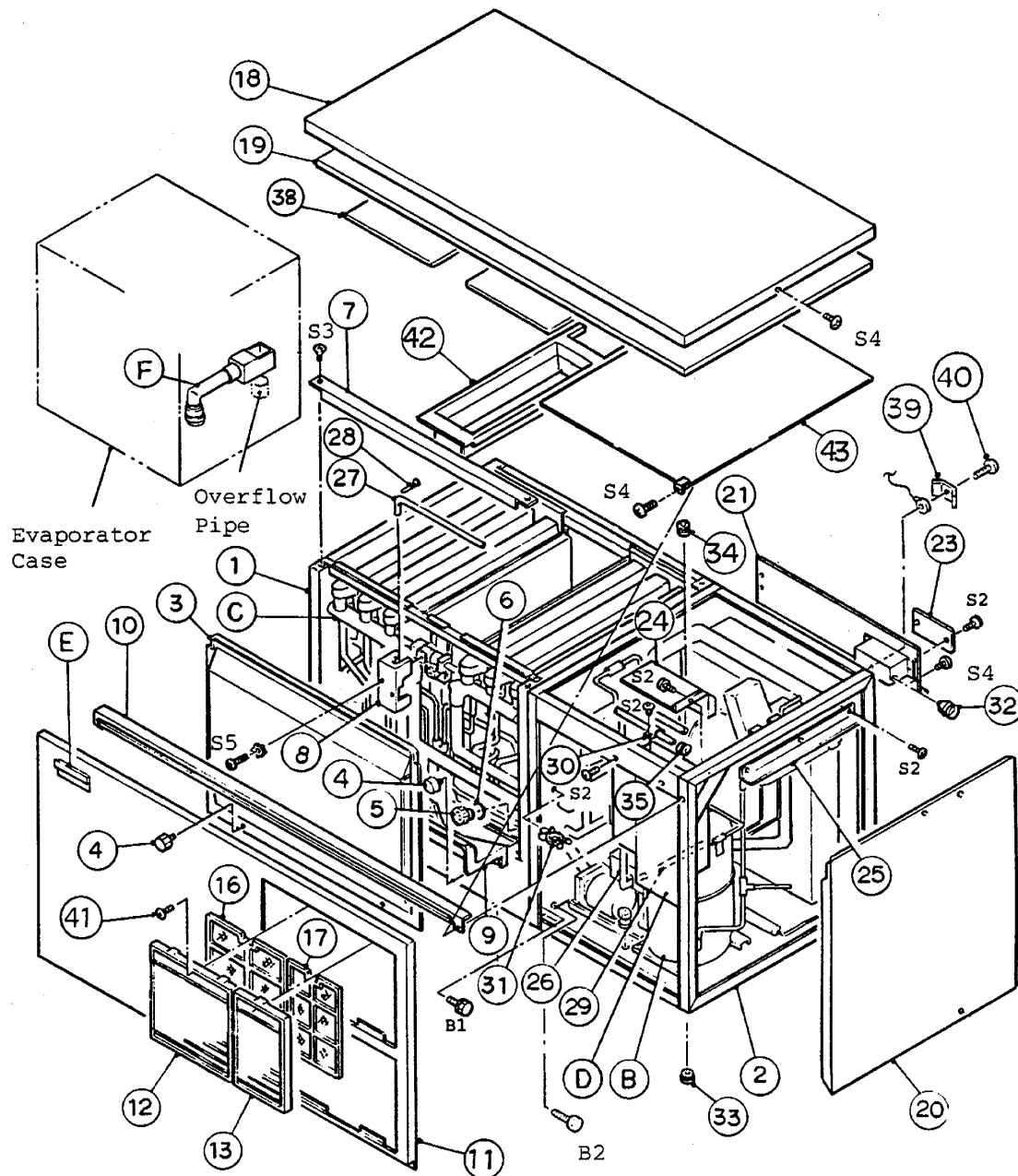
FASTENER

- S1 - TRUSS HEAD TAPPING SCREW, STAINLESS, M4x8
- S2 - TRUSS HEAD TAPPING SCREW, M4x8
- S3 - COUNTERSUNK HEAD MACHINE SCREW, STAINLESS, M4x8
- S4 - PAN HEAD MACHINE SCREW, STAINLESS, M4x8
- S5 - TRUSS HEAD MACHINE SCREW, STAINLESS, M4x8
- B1 - HEXAGON BOLT AND SPRING WASHER + PLAIN WASHER ASSY, STAINLESS, M6x16
- B2 - HEXAGON HEAD BOLT, STAINLESS, M6x16



FASTENER

- S1 - TRUSS HEAD TAPPING SCREW, STAINLESS, M4x8
- S2 - TRUSS HEAD TAPPING SCREW, M4x8
- S3 - COUNTERSUNK HEAD MACHINE SCREW, STAINLESS, M4x12
- S4 - PAN HEAD MACHINE SCREW, STAINLESS, M4x8
- S5 - TRUSS HEAD MACHINE SCREW, STAINLESS, M4x8
- B1 - HEXAGON BOLT AND SPRING WASHER + PLAIN WASHER ASSY, STAINLESS, M6x16
- B2 - HEXAGON HEAD BOLT, STAINLESS, M6x16



FASTENER

- S1 - TRUSS HEAD TAPPING SCREW, STAINLESS, M4x8
- S2 - TRUSS HEAD TAPPING SCREW, M4x8
- S3 - COUNTERSUNK HEAD MACHINE SCREW, STAINLESS, M4x12
- S4 - PAN HEAD MACHINE SCREW, STAINLESS, M4x8
- S5 - TRUSS HEAD MACHINE SCREW, STAINLESS, M4x8
- B1 - HEXAGON BOLT AND SPRING WASHER + PLAIN WASHER ASSY, STAINLESS, M6x16
- B2 - HEXAGON HEAD BOLT, STAINLESS, M6x16

HA

MODEL		TITLE		REQ'D NUMBER				
KM-1201DU		A. ICE CUBER ASSEMBLY		F-1	G-1	G-2	H-1	H-2
INDEX NO.	DESCRIPTION	MATERIAL OR MODEL NUMBER	PART NUMBER	F-1	G-1	G-2	H-1	H-2
B	REFRIGERATION UNIT	-	103513A01	1	-			
			103513A02		1	1	1	1
C	WATER CIRCUIT ASSEMBLY	-	103521A01	1	1	1	1	1
D	CONTROL BOX ASSEMBLY	-	209486A01	1	1	1	1	1
E	LABEL LOCATION	-	318128A01	1	1	1	1	1
F	DRAIN UNIT	(S-0535)	319582A01	1	1	1	1	1
1	Evaporator Case	-	103520G01	1	1	1	1	1
2	Frame	G.S	103518G01	1	1	-		
			320809G01			1	1	1
3	Cover - Evaporator Case	AC	318097G01	1	1	1	1	1
4	Thumbscrew	S.S, ABS	415949G01	6	6	6	6	6
5	Drain	AC	309246-01	1	1	1	1	1
6	"O" Ring	P-15	7611-P015	1	1	1	1	1
7	Frame - Evaporator Case	S.S	428570-01	1	1	1	1	-
		G.S	428570-02					1
8	Cover - Water Valve	S.S	428551-01	1	1	1	1	-
		G.S	428551-02					1
9	Slope	ABS	209389-01	1	1	1	1	1
10	Cover - Angle	S.S	318058-01	1	1	1	1	1
11	Front Panel	S.S	318093-01	1	-			
			318093-02		1	1	1	1
12	Louver (B)	ABS	103121-01	2	2	2	2	2
13	Louver (C)	ABS	103122-01	2	2	2	2	2
14	Cover - Louver (B)	ABS	316079-01	2	2	2	-	
15	Cover - Louver (C)	ABS	316080-01	2	2	2	-	
16	Air Filter (B)	ABS	208283G01	2	2	2	2	2
17	Air Filter (C)	ABS	208284G01	2	2	2	2	2
18	Top Panel	S.S	318060G01	1	1	1	1	1
19	Insulation - Top Panel	PE	428573-01	1	1	1	1	1
20	Side Panel (Right)	S.S	318055G01	1	1	1	1	1
21	Junction Box	G.S	318067G01	1	1	1	1	1
22	Clearance Indicator	G.S	426921-01	X				
23	Cover - Junction Box	G.S	426922-01	1	1	1	1	1

E

HA

MODEL		TITLE					
KM-1201DU		A. ICE CUBER ASSEMBLY					
INDEX NO.	DESCRIPTION	MATERIAL OR MODEL NUMBER	PART NUMBER	REQ'D NUMBER			
				H-3	J-1		
B	REFRIGERATION UNIT	-	103513A02	1	1		
C	WATER CIRCUIT ASSEMBLY	-	103521A01	1	1		
D	CONTROL BOX ASSEMBLY	-	209486A01	1	1		
E	LABEL LOCATION	-	318128A01	1	1		
F	DRAIN UNIT	(S-0535)	319582A01	1	1		
1	Evaporator Case	-	103520G01	1	1		
2	Frame	G.S	320809G01	1	1		
3	Cover - Evaporator Case	AC	318097G01	1	1		
4	Thumbscrew	S.S, ABS	415949G01	6	6		
5	Drain	AC	309246-01	1	1		
6	"O" Ring	P-15	7611-P015	1	1		
7	Frame - Evaporator Case	G.S	428570-02	1	1		
8	Cover - Water Valve	G.S	428551-02	1	1		
9	Slope	ABS	209389-01	1	1		
10	Cover - Angle	S.S	318058-01	1	1		
11	Front Panel	S.S	318093-02	1	1		
12	Louver (B)	ABS	103121-01	2	2		
13	Louver (C)	ABS	103122-01	2	2		
14	-	-	-	-	-		
15	-	-	-	-	-		
16	Air Filter (B)	ABS	208283G01	2	2		
17	Air Filter (C)	ABS	208284G01	2	2		
18	Top Panel	S.S	318060G01	1	1		
19	Insulation - Top Panel	PE	428573-01	1	1		
20	Side Panel (Right)	S.S	318055G01	1	1		
21	Junction Box	G.S	318067G01	1	1		
22	-	-	-	-	-		
23	Cover - Junction Box	G.S	426922-01	1	1		

E

HA

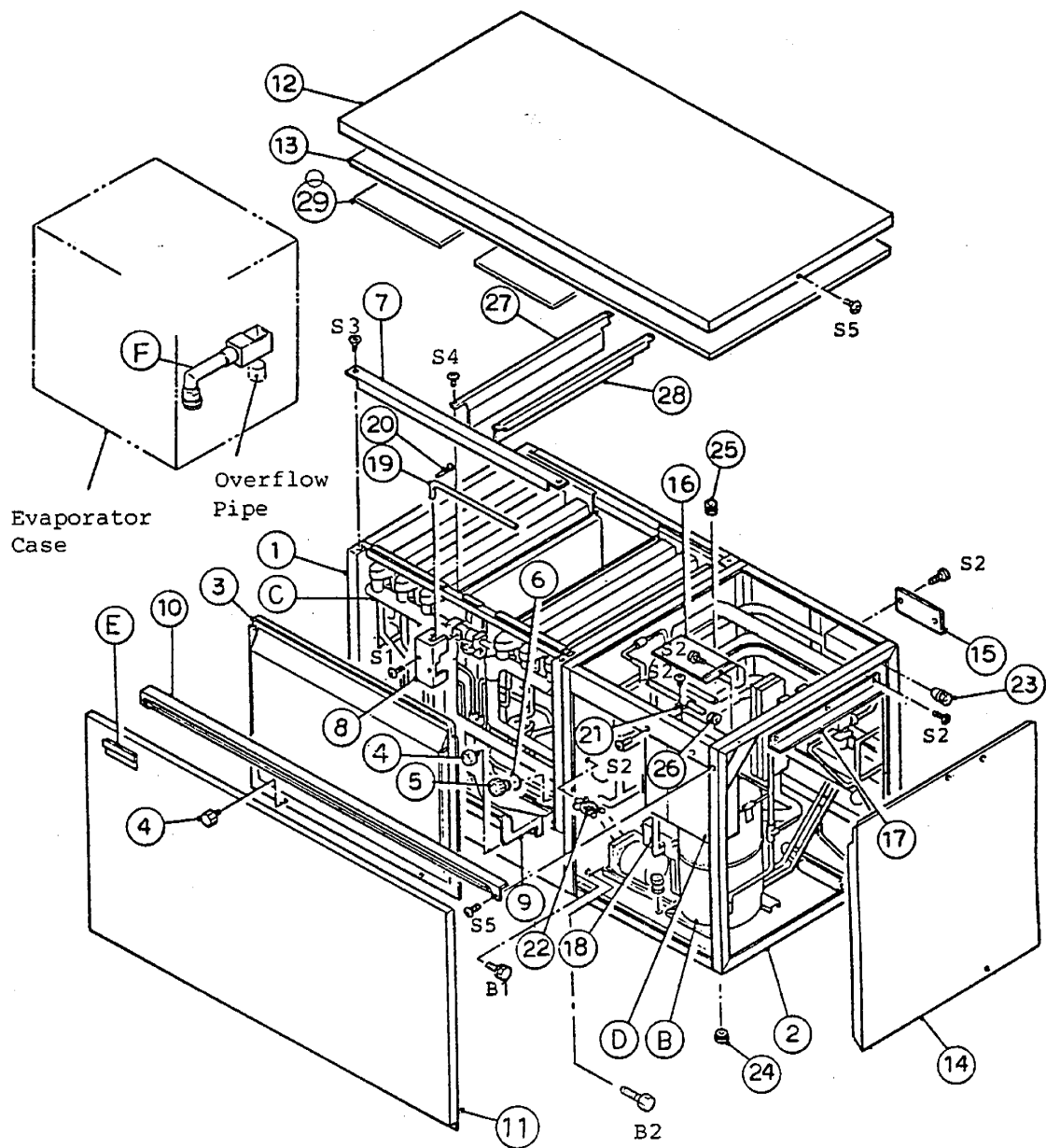
MODEL		TITLE			REQ'D NUMBER				
KM-1201DU		A. ICE CUBER ASSEMBLY							
INDEX NO.	DESCRIPTION	MATERIAL OR MODEL NUMBER	PART NUMBER	REQ'D NUMBER					
				F-1	G-1	G-2	H-1	H-2	
24	Barrier (B)	G.S	428580-01	1	1	1	1	1	
25	Barrier (C)	G.S	428583-01	1	1	1	1	1	
26	Conduit (A)	Copper	428600-01	1	1	1	1	1	
27	Conduit (B)	Copper	428601-01	1	1	1	1	1	
28	Tie	CV-100	7920-0002	1	1	1	1	1	
29	Conduit (C)	Copper	428602-01	1	1	1	1	1	
30	Bracket - Pipe	G.S	428092-01	4	4	4	4	4	
31	Clamp	No.249	427902-03	1	1	1	1	1	
32	Bushing	SR-34-2	420472-05	1	1	1	1	1	
33	Grommet	SG-16A	410666-02	1	1	1	1	1	
34	Bushing	SB-625-8	420470-01	1	1	1	1	1	
35	Bushing	B-312-250	428643-01	1	1	1	1	1	
36	Cover (Left) - Water Supply	S.S	318094-01	1	1	1	1	-	
37	Cover (Right) - Water Supply	S.S	318133-01	1	1	1	1	-	
38	Separator	ABS	432777-01			2	2	2	
39	Square Washer	Copper	433537-01				1	1	
40	Grounding Screw	Brass	433304-01				1	1	
41	Tapping Screw - Black	Steel	433954-01				4	4	
42	Cover - Water Supply	ABS	212119G01					1	

E

HA

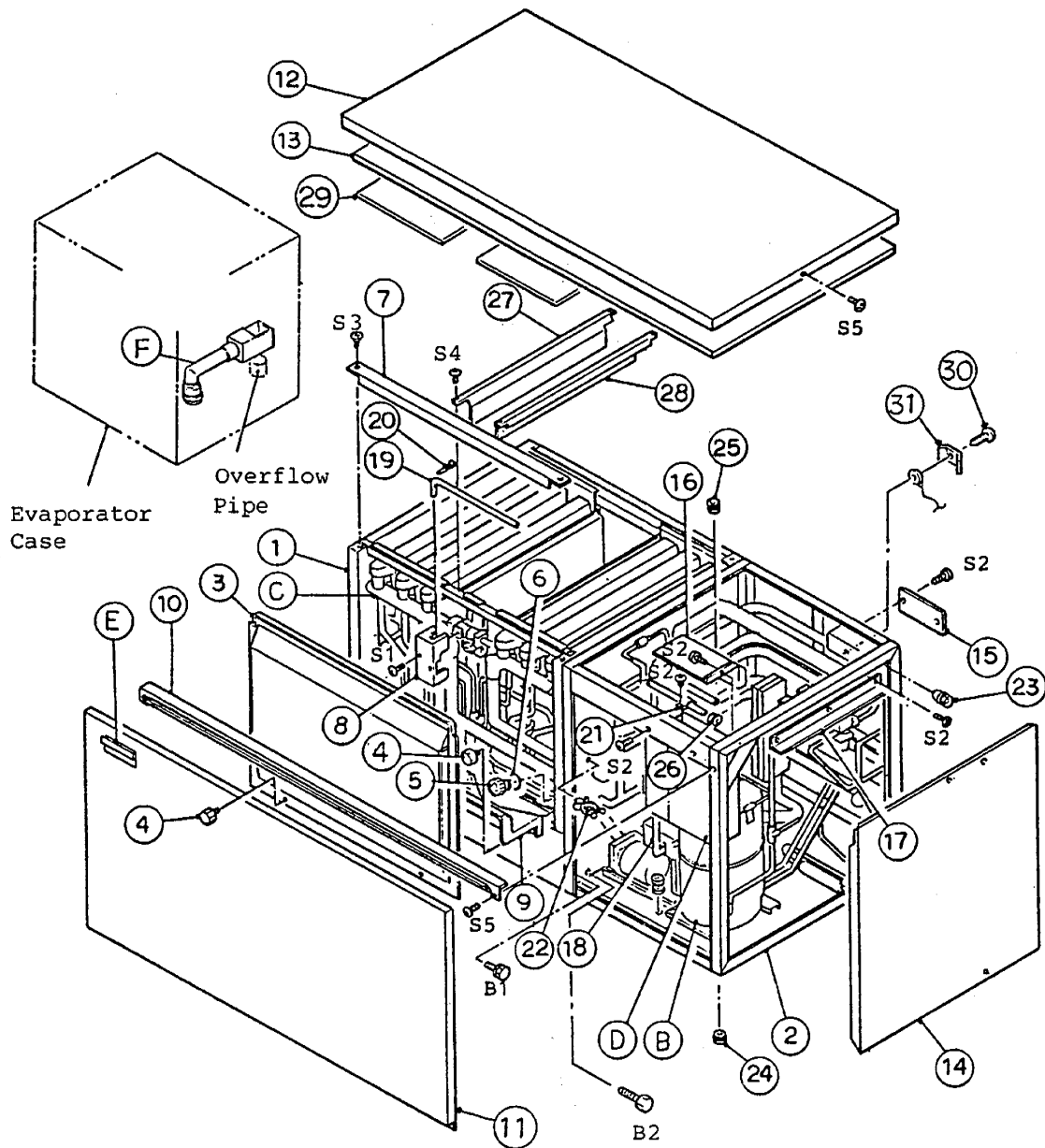
MODEL		TITLE					
KM-1201DU		A. ICE CUBER ASSEMBLY					
INDEX NO.	DESCRIPTION	MATERIAL OR MODEL NUMBER	PART NUMBER	REQ'D NUMBER			
				H-3	J-1		
24	Barrier (B)	G.S	428580-01	1	1		
25	Barrier (C)	G.S	428583-01	1	1		
26	Conduit (A)	Copper	428600-01	1	1		
27	Conduit (B)	Copper	428601-01	1	1		
28	Tie	CV-100	7920-0002	1	1		
29	Conduit (C)	Copper	428602-01	1	1		
30	Bracket - Pipe	G.S	428092-01	4	4		
31	Clamp	No.249	427902-03	1	1		
32	Bushing	SR-34-2	420472-05	1	1		
33	Grommet	SG-16A	410666-02	1	1		
34	Bushing	SB-625-8	420470-01	1	1		
35	Bushing	B-312-250	428643-01	1	1		
36	-	-	-	-			
37	-	-	-	-			
38	Separator	ABS	432777-01	2	2		
39	Square Washer	Copper	433537-01	1	1		
40	Grounding Screw	Brass	433304-01	1	1		
41	Tapping Screw - Black	Steel	433954-01	4	4		
42	Cover - Water Supply	ABS	212119G01	1	1		
43	Barrier	G.S	436237G01		①		

E



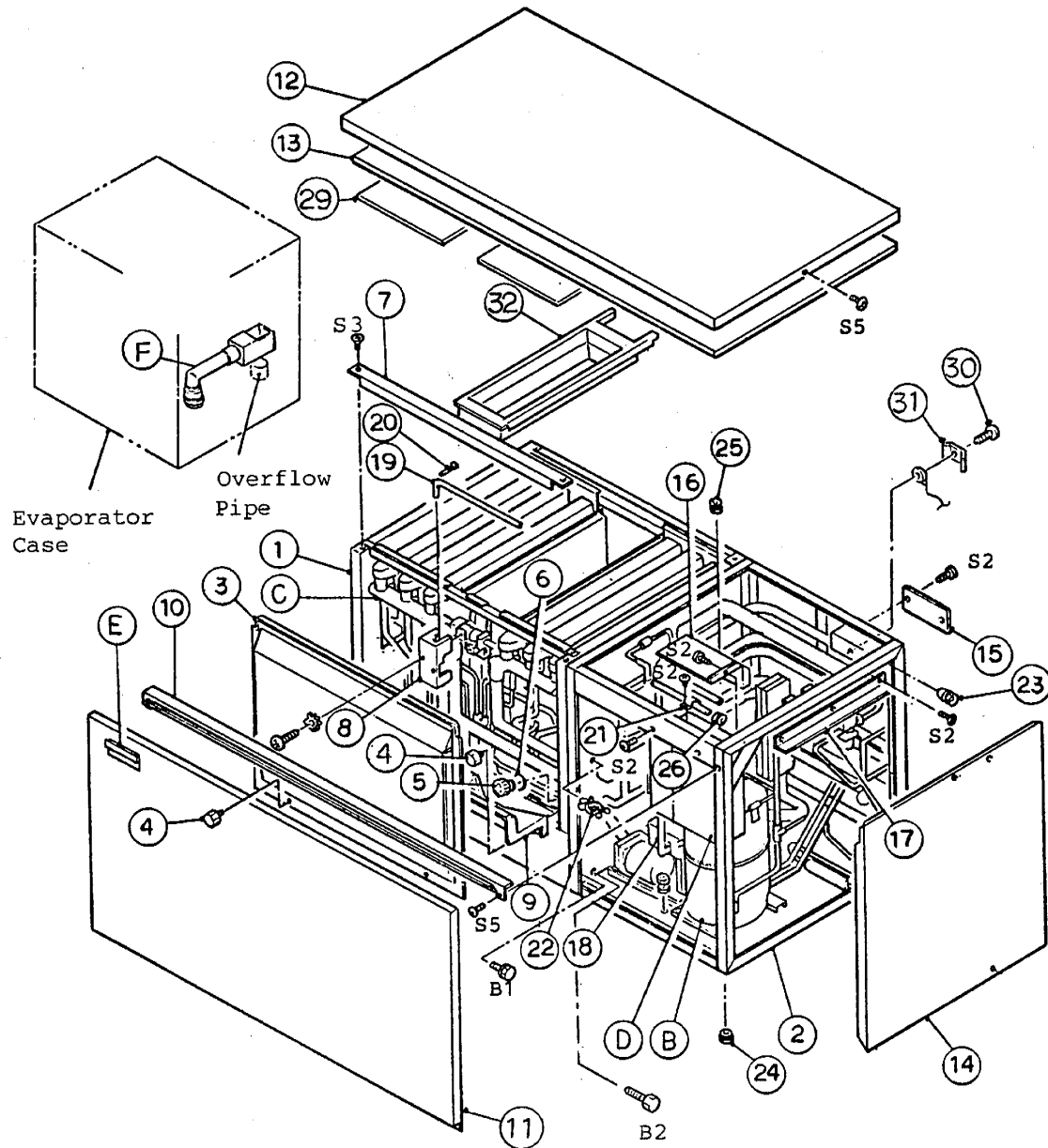
FASTENER

- S1 - TRUSS HEAD TAPPING SCREW, STAINLESS, M4x8
- S2 - TRUSS HEAD TAPPING SCREW, M4x8
- S3 - COUNTERSUNK HEAD MACHINE SCREW, STAINLESS, M4x8
- S4 - TRUSS HEAD MACHINE SCREW, STAINLESS, M4x8
- S5 - PAN HEAD MACHINE SCREW, STAINLESS, M4x8
- B1 - HEXAGON BOLT AND SPRING WASHER + PLAIN WASHER ASSY, STAINLESS, M6x16
- B2 - HEXAGON HEAD BOLT, STAINLESS, M6x16



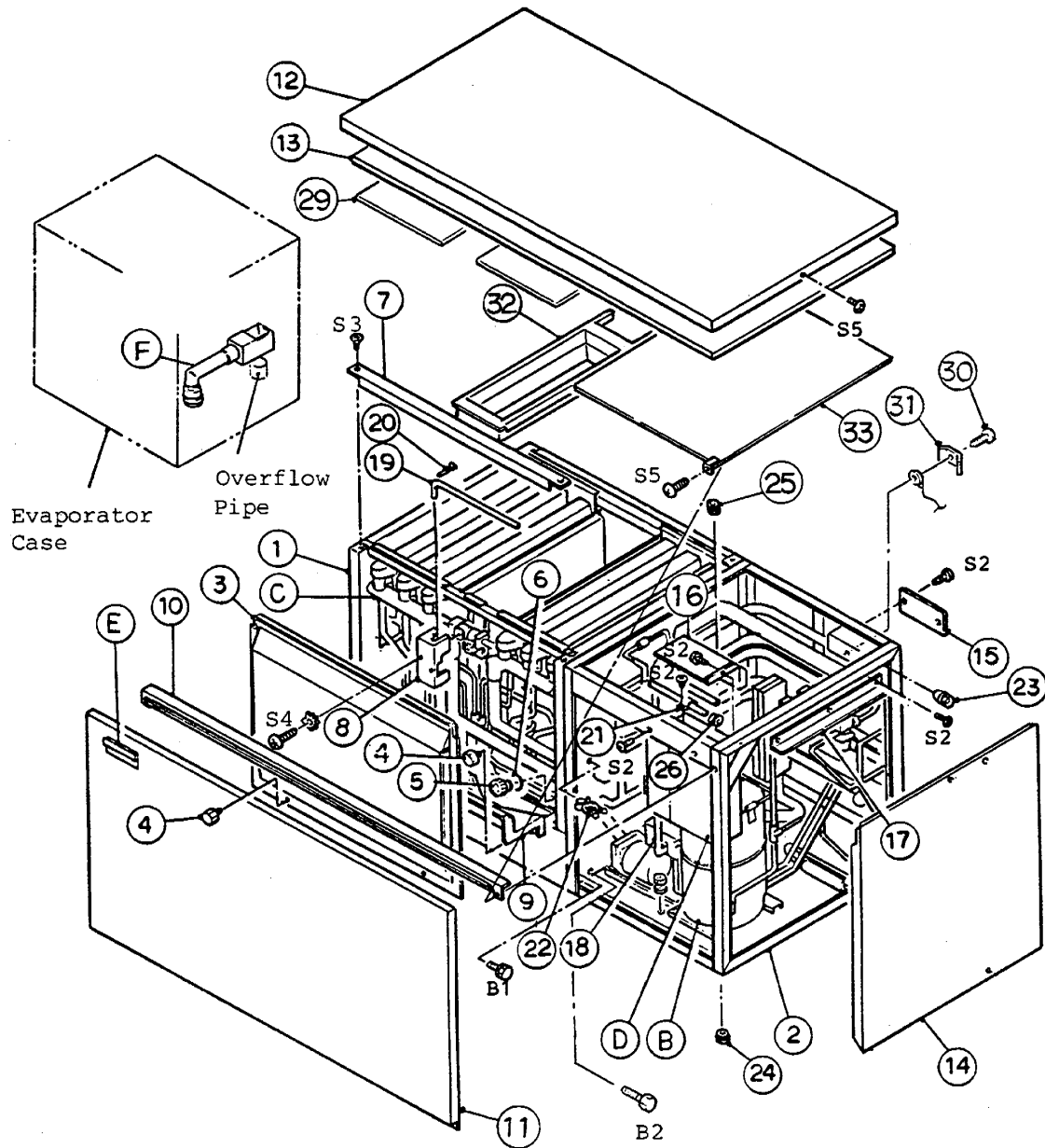
FASTENER

- S1 - TRUSS HEAD TAPPING SCREW, STAINLESS, M4x8
- S2 - TRUSS HEAD TAPPING SCREW, M4x8
- S3 - COUNTERSUNK HEAD MACHINE SCREW, STAINLESS, M4x8
- S4 - TRUSS HEAD MACHINE SCREW, STAINLESS, M4x8
- S5 - PAN HEAD MACHINE SCREW, STAINLESS, M4x8
- B1 - HEXAGON BOLT AND SPRING WASHER + PLAIN WASHER ASSY, STAINLESS, M6x16
- B2 - HEXAGON HEAD BOLT, STAINLESS, M6x16



FASTENER

- S1 - TRUSS HEAD TAPPING SCREW, STAINLESS, M4x8
- S2 - TRUSS HEAD TAPPING SCREW, M4x8
- S3 - COUNTERSUNK HEAD MACHINE SCREW, STAINLESS, M4x12
- S4 - TRUSS HEAD MACHINE SCREW, STAINLESS, M4x8
- S5 - PAN HEAD MACHINE SCREW, STAINLESS, M4x8
- B1 - HEXAGON BOLT AND SPRING WASHER + PLAIN WASHER ASSY, STAINLESS, M6x16
- B2 - HEXAGON HEAD BOLT, STAINLESS, M6x16



FASTENER

- S1 - TRUSS HEAD TAPPING SCREW, STAINLESS, M4x8
- S2 - TRUSS HEAD TAPPING SCREW, M4x8
- S3 - COUNTERSUNK HEAD MACHINE SCREW, STAINLESS, M4x12
- S4 - TRUSS HEAD MACHINE SCREW, STAINLESS, M4x8
- S5 - PAN HEAD MACHINE SCREW, STAINLESS, M4x8
- B1 - HEXAGON BOLT AND SPRING WASHER + PLAIN WASHER ASSY, STAINLESS, M6x16
- B2 - HEXAGON HEAD BOLT, STAINLESS, M6x16

HA

MODEL		TITLE						
KM-1201DWU		A. ICE CUBER ASSEMBLY						
INDEX NO.	DESCRIPTION	MATERIAL OR MODEL NUMBER	PART NUMBER	REQ'D NUMBER				
				F-1	G-1	G-2	H-1	H-2
B	REFRIGERATION UNIT	-	103632A01	1	1	1	1	1
C	WATER CIRCUIT ASSEMBLY	-	103521A01	1	1	1	1	1
D	CONTROL BOX ASSEMBLY	-	209486A03	1	1	1	1	1
E	LABEL LOCATION	-	318575A01	1	1	1	1	1
F	DRAIN UNIT	(S-0535)	319582A01	1	1	1	1	1
1	Evaporator Case	-	103520G01	1	1	1	1	1
2	Frame	G.S	103630G01	1	1	-		
			320809G03			1	1	1
3	Cover - Evaporator Case	AC	318097G01	1	1	1	1	1
4	Thumbscrew	S.S, ABS	415949G01	6	6	6	6	6
5	Drain	AC	309246-01	1	1	1	1	1
6	"O" Ring	P-15	7611-P015	1	1	1	1	1
7	Frame - Evaporator Case	S.S	428570-01	1	1	1	1	-
		G.S	428570-02					1
8	Cover - Water Valve	S.S	428551-01	1	1	1	1	-
		G.S	428551-02					1
9	Slope	ABS	209389-01	1	1	1	1	1
10	Cover - Angle	S.S	318058-01	1	1	1	1	1
11	Front Panel	S.S	318069-01	1	-			
			318069-02		1	1	1	1
12	Top Panel	S.S	318060G01	1	1	1	1	1
13	Insulation - Top Panel	PE	428573-01	1	1	1	1	1
14	Side Panel (Right)	S.S	318055G01	1	1	1	1	1
15	Cover - Junction Box	G.S	426922-01	1	1	1	1	1
16	Barrier (B)	G.S	428580-01	1	1	1	1	1
17	Barrier (C)	G.S	428583-01	1	1	1	1	1
18	Conduit (A)	Copper	428600-01	1	1	1	1	1
19	Conduit (B)	Copper	428601-01	1	1	1	1	1
20	Tie	CV-100	7920-0002	1	1	1	1	1
21	Bracket - Pipe	G.S	428092-01	3	3	3	3	3
22	Clamp	No.249	427902-03	1	1	1	1	1
23	Bushing	SR-34-2	420472-05	1	1	1	1	1

E

HA

MODEL		TITLE						
KM-1201DWU		A. ICE CUBER ASSEMBLY						
INDEX NO.	DESCRIPTION	MATERIAL OR MODEL NUMBER	PART NUMBER	REQ'D NUMBER				
				H-3	J-1			
B	REFRIGERATION UNIT	-	103632A01	1	1			
C	WATER CIRCUIT ASSEMBLY	-	103521A01	1	1			
D	CONTROL BOX ASSEMBLY	-	209486A03	1	1			
E	LABEL LOCATION	-	318575A01	1	1			
F	DRAIN UNIT	(S-0535)	319582A01	1	1			
1	Evaporator Case	-	103520G01	1	1			
2	Frame	G.S	320809G03	1	1			
3	Cover - Evaporator Case	AC	318097G01	1	1			
4	Thumbscrew	S.S, ABS	415949G01	6	6			
5	Drain	AC	309246-01	1	1			
6	"O" Ring	P-15	7611-P015	1	1			
7	Frame - Evaporator Case	G.S	428570-02	1	1			
8	Cover - Water Valve	G.S	428551-02	1	1			
9	Slope	ABS	209389-01	1	1			
10	Cover - Angle	S.S	318058-01	1	1			
11	Front Panel	S.S	318069-02	1	1			
12	Top Panel	S.S	318060G01	1	1			
13	Insulation - Top Panel	PE	428573-01	1	1			
14	Side Panel (Right)	S.S	318055G01	1	1			
15	Cover - Junction Box	G.S	426922-01	1	1			
16	Barrier (B)	G.S	428580-01	1	1			
17	Barrier (C)	G.S	428583-01	1	1			
18	Conduit (A)	Copper	428600-01	1	1			
19	Conduit (B)	Copper	428601-01	1	1			
20	Tie	CV-100	7920-0002	1	1			
21	Bracket - Pipe	G.S	428092-01	3	3			
22	Clamp	No.249	427902-03	1	1			
23	Bushing	SR-34-2	420472-05	1	1			

E

HA

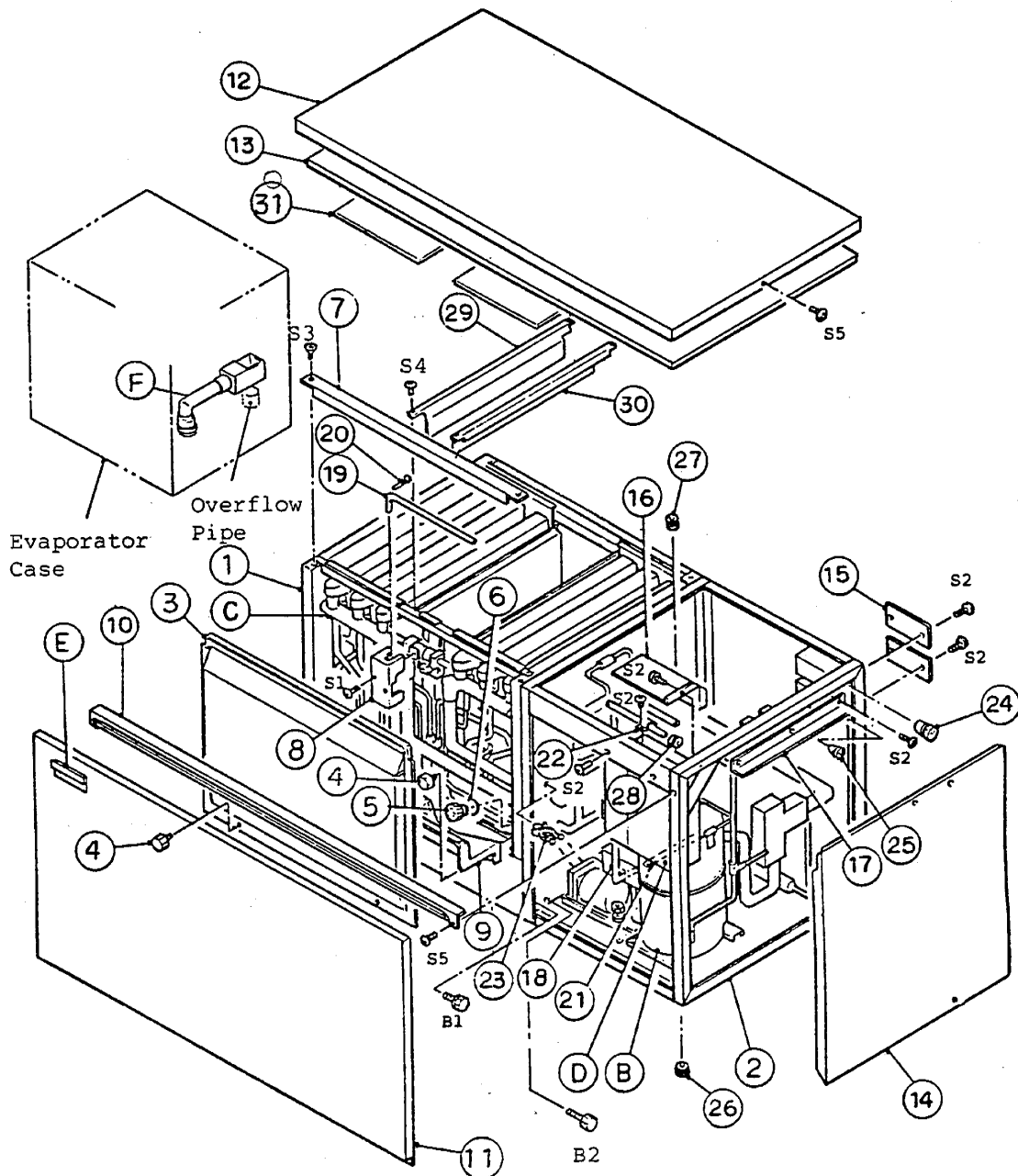
MODEL		TITLE						
KM-1201DWU		A. ICE CUBER ASSEMBLY						
INDEX NO.	DESCRIPTION	MATERIAL OR MODEL NUMBER	PART NUMBER	REQ'D NUMBER				
				F-1	G-1	G-2	H-1	H-2
24	Grommet	SG-16A	410666-02	1	1	1	1	1
25	Bushing	SB-625-8	420470-01	1	1	1	1	1
26	Bushing	B-312-250	428643-01	1	1	1	1	1
27	Cover (Left) - Water Supply	S.S	318094-01	1	1	1	1	-
28	Cover (Right) - Water Supply	S.S	318133-01	1	1	1	1	-
29	Separator	ABS	432777-01			2	2	2
30	Grounding Screw	Brass	433304-01				1	1
31	Square Washer	Copper	433537-01				1	1
32	Cover - Water Supply	ABS	212119G01					1

E

HA

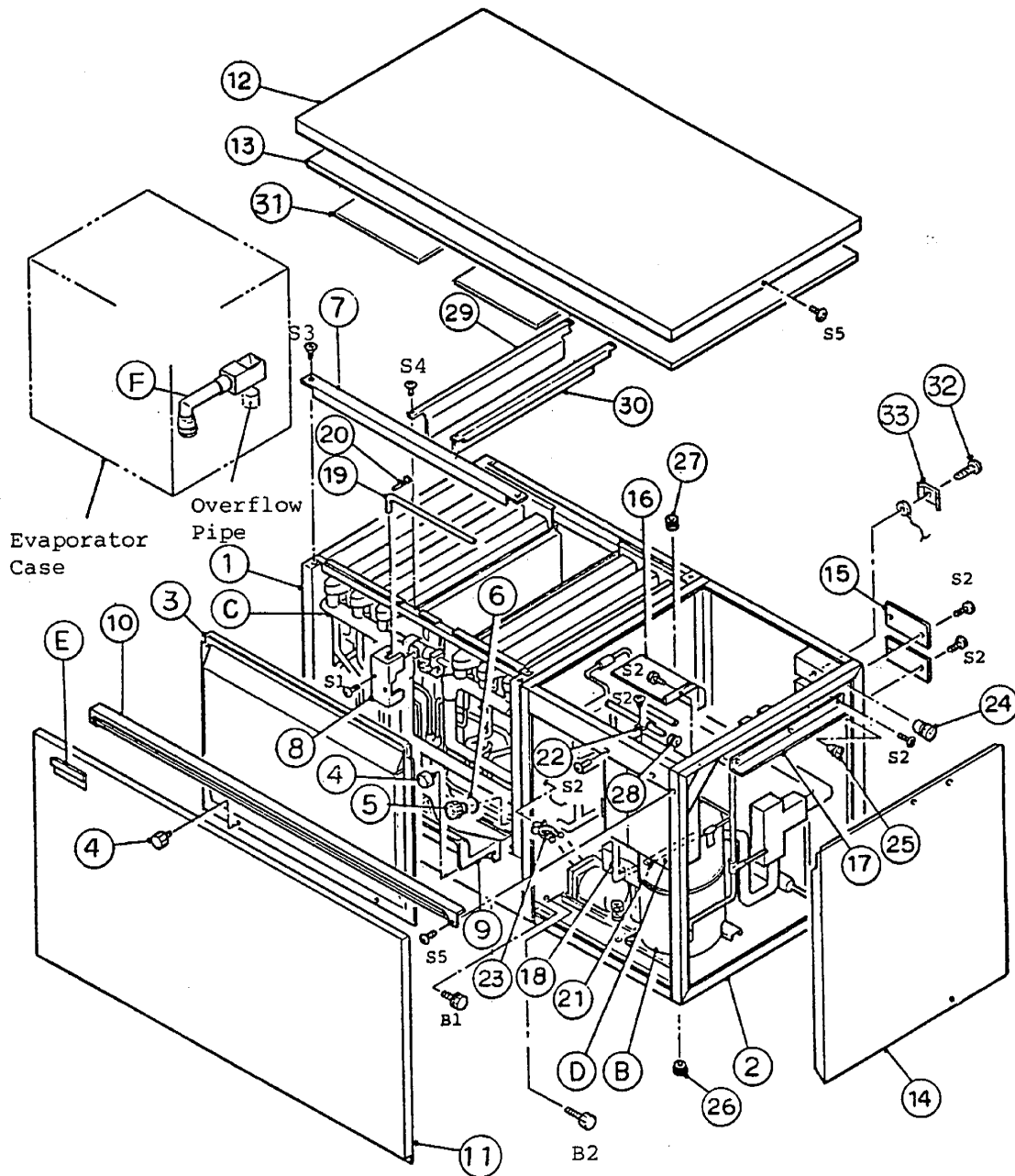
MODEL		TITLE						
KM-1201DWU		A. ICE CUBER ASSEMBLY						
INDEX NO.	DESCRIPTION	MATERIAL OR MODEL NUMBER	PART NUMBER	REQ'D NUMBER				
				H-3	J-1			
24	Grommet	SG-16A	410666-02	1	1			
25	Bushing	SB-625-8	420470-01	1	1			
26	Bushing	B-312-250	428643-01	1	1			
27	-	-	-	-				
28	-	-	-	-				
29	Separator	ABS	432777-01	2	2			
30	Grounding Screw	Brass	433304-01	1	1			
31	Square Washer	Copper	433537-01	1	1			
32	Cover - Water Supply	ABS	212119G01	1	1			
33	Barrier	G.S	436237G01		①			

E



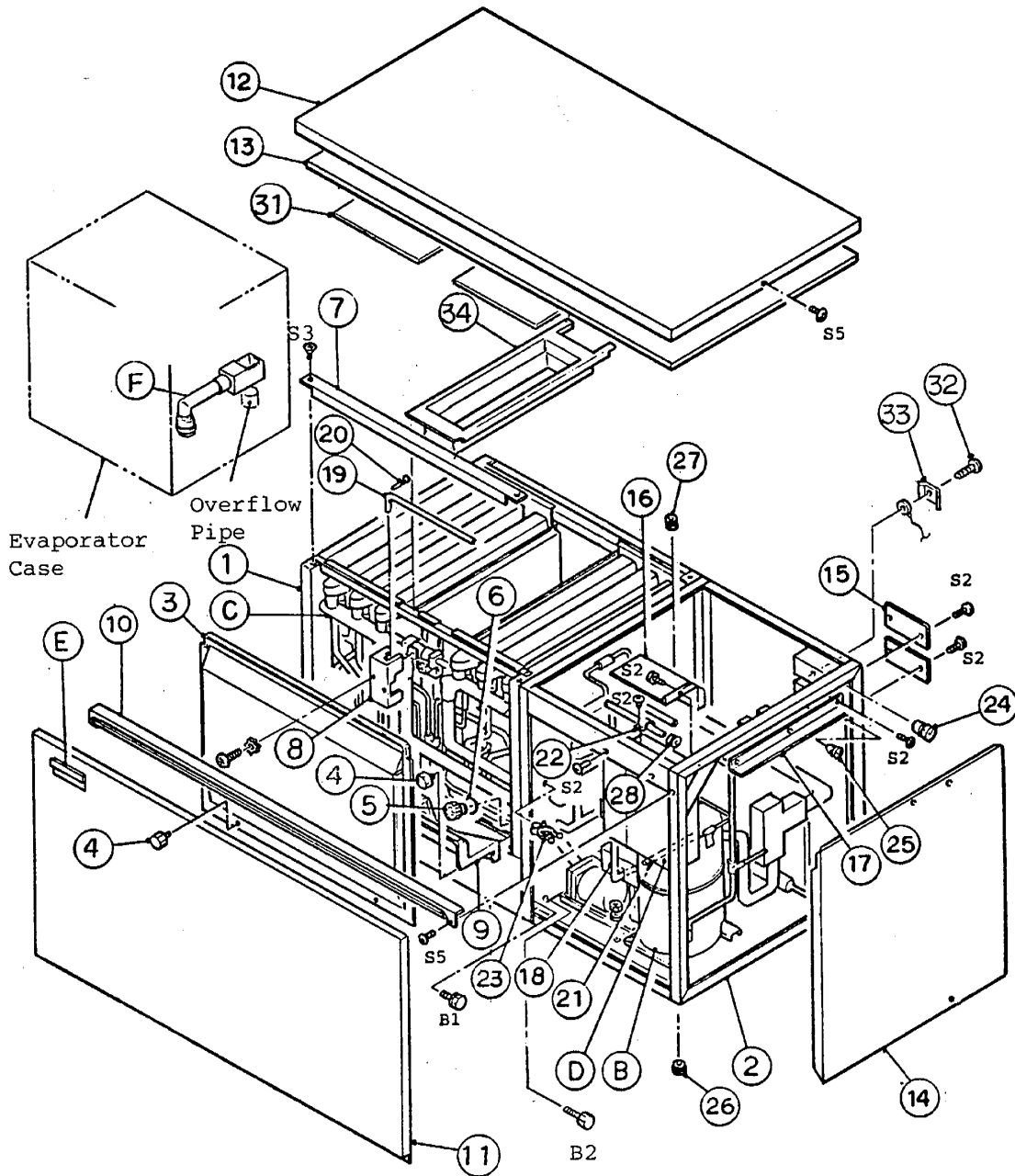
FASTENER

- S1 - TRUSS HEAD TAPPING SCREW, STAINLESS, M4x8
- S2 - TRUSS HEAD TAPPING SCREW, M4x8
- S3 - COUNTERSUNK HEAD MACHINE SCREW, STAINLESS, M4x8
- S4 - TRUSS HEAD MACHINE SCREW, STAINLESS, M4x8
- S5 - PAN HEAD MACHINE SCREW, STAINLESS, M4x8
- B1 - HEXAOGN BOLT AND SPRING WASHER + PLAIN WASHER ASSY, STAINLESS, M6x16
- B2 - HEXAGON HEAD BOLT, STAINLESS, M6x16



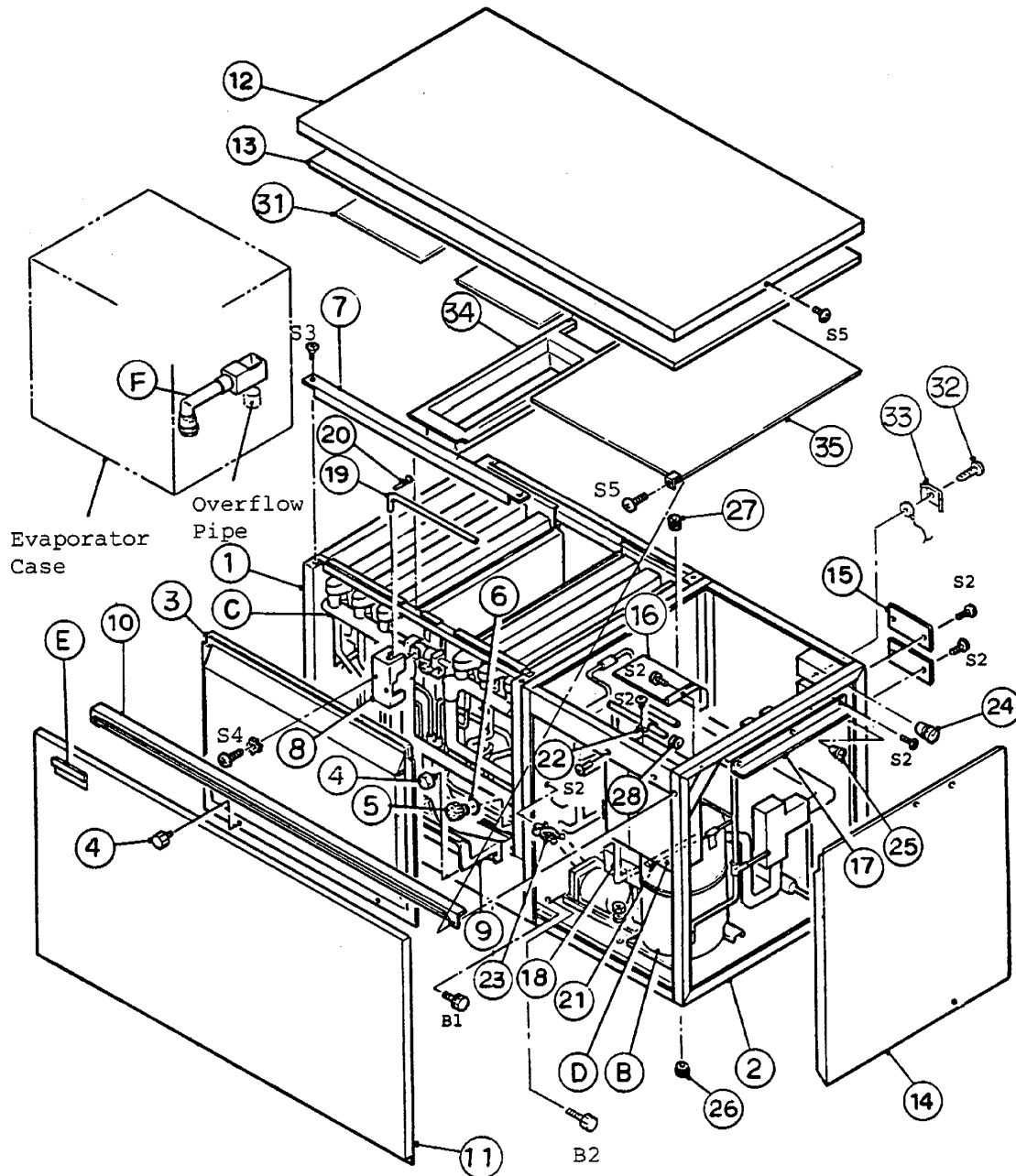
FASTENER

- S1 - TRUSS HEAD TAPPING SCREW, STAINLESS, M4x8
- S2 - TRUSS HEAD TAPPING SCREW, M4x8
- S3 - COUNTERSUNK HEAD MACHINE SCREW, STAINLESS, M4x8
- S4 - TRUSS HEAD MACHINE SCREW, STAINLESS, M4x8
- S5 - PAN HEAD MACHINE SCREW, STAINLESS, M4x8
- B1 - HEXAGON BOLT AND SPRING WASHER + PLAIN WASHER ASSY, STAINLESS, M6x16
- B2 - HEXAGON HEAD BOLT, STAINLESS, M6x16



FASTENER

- S1 - TRUSS HEAD TAPPING SCREW, STAINLESS, M4x8
- S2 - TRUSS HEAD TAPPING SCREW, M4x8
- S3 - COUNTERSUNK HEAD MACHINE SCREW, STAINLESS, M4x12
- S4 - TRUSS HEAD MACHINE SCREW, STAINLESS, M4x8
- S5 - PAN HEAD MACHINE SCREW, STAINLESS, M4x8
- B1 - HEXAGON BOLT AND SPRING WASHER + PLAIN WASHER ASSY, STAINLESS, M6x16
- B2 - HEXAGON HEAD BOLT, STAINLESS, M6x16



FASTENER

- S1 - TRUSS HEAD TAPPING SCREW, STAINLESS, M4x8
- S2 - TRUSS HEAD TAPPING SCREW, M4x8
- S3 - COUNTERSUNK HEAD MACHINE SCREW, STAINLESS, M4x12
- S4 - TRUSS HEAD MACHINE SCREW, STAINLESS, M4x8
- S5 - PAN HEAD MACHINE SCREW, STAINLESS, M4x8
- B1 - HEXAGON BOLT AND SPRING WASHER + PLAIN WASHER ASSY, STAINLESS, M6x16
- B2 - HEXAGON HEAD BOLT, STAINLESS, M6x16

HA

MODEL		TITLE						
KM-1201DSU		A. ICE CUBER ASSEMBLY						
INDEX NO.	DESCRIPTION	MATERIAL OR MODEL NUMBER	PART NUMBER	REQ'D NUMBER				
				F-1	G-1	G-2	H-1	H-2
B	REFRIGERATION UNIT	-	103515A01	1	1	1	1	1
C	WATER CIRCUIT ASSEMBLY	-	103521A01	1	1	1	1	1
D	CONTROL BOX ASSEMBLY	-	209486A02	1	1	1	1	1
E	LABEL LOCATION	-	318129A01	1	1	1	1	1
F	DRAIN UNIT	(S-0535)	319582A01	1	1	1	1	1
1	Evaporator Case	-	103520G01	1	1	1	1	1
2	Frame	G.S	103519G01	1	1	-		
			320809G02			1	1	1
3	Cover - Evaporator Case	AC	318097G01	1	1	1	1	1
4	Thumbscrew	S.S, ABS	415949G01	6	6	6	6	6
5	Drain	AC	309246-01	1	1	1	1	1
6	"O" Ring	P-15	7611-P015	1	1	1	1	1
7	Frame - Evaporator Case	S.S	428570-01	1	1	1	1	-
		G.S	428570-02					1
8	Cover - Water Valve	S.S	428551-01	1	1	1	1	-
		G.S	428551-02					1
9	Slope	ABS	209389-01	1	1	1	1	1
10	Cover - Angle	S.S	318058-01	1	1	1	1	1
11	Front Panel	S.S	318069-01	1	-			
			318069-02		1	1	1	1
12	Top Panel	S.S	318060G01	1	1	1	1	1
13	Insulation - Top Panel	PE	428573-01	1	1	1	1	1
14	Side Panel (Right)	S.S	318055G01	1	1	1	1	1
15	Cover - Junction Box	G.S	426922-01	2	2	2	2	2
16	Barrier (B)	G.S	428580-01	1	1	1	1	1
17	Barrier (C)	G.S	428583-01	1	1	1	1	1
18	Conduit (A)	Copper	428600-01	1	1	1	1	1
19	Conduit (B)	Copper	428601-01	1	1	1	1	1
20	Tie	CV-100	7920-0002	1	1	1	1	1
21	Conduit (D)	Copper	428623-01	1	1	1	1	1
22	Bracket - Pipe	G.S	428092-01	5	5	5	5	5
23	Clamp	No.249	427902-03	1	1	1	1	1

E

HA

MODEL		TITLE		REQ'D NUMBER				
KM-1201DSU		A. ICE CUBER ASSEMBLY						
INDEX NO.	DESCRIPTION	MATERIAL OR MODEL NUMBER	PART NUMBER	REQ'D NUMBER				
				H-3	J-1	J-2		
B	REFRIGERATION UNIT	-	103515A01	1	1	1		
C	WATER CIRCUIT ASSEMBLY	-	103521A01	1	1	1		
D	CONTROL BOX ASSEMBLY	-	209486A02	1	1	1		
E	LABEL LOCATION	-	318129A01	1	1	1		
F	DRAIN UNIT	(S-0535)	319582A01	1	1	1		
1	Evaporator Case	-	103520G01	1	1	1		
2	Frame	G.S	320809G02	1	1	1		
3	Cover - Evaporator Case	AC	318097G01	1	1	1		
4	Thumbscrew	S.S, ABS	415949G01	6	6	6		
5	Drain	AC	309246-01	1	1	1		
6	"O" Ring	P-15	7611-P015	1	1	1		
7	Frame - Evaporator Case	G.S	428570-02	1	1	1		
8	Cover - Water Valve	G.S	428551-02	1	1	1		
9	Slope	ABS	209389-01	1	1	1		
10	Cover - Angle	S.S	318058-01	1	1	1		
11	Front Panel	S.S	318069-02	1	1	1		
12	Top Panel	S.S	318060G01	1	1	1		
13	Insulation - Top Panel	PE	428573-01	1	1	1		
14	Side Panel (Right)	S.S	318055G01	1	1	1		
15	Cover - Junction Box	G.S	426922-01	2	2	2		
16	Barrier (B)	G.S	428580-01	1	1	1		
17	Barrier (C)	G.S	428583-01	1	1	1		
18	Conduit (A)	Copper	428600-01	1	1	1		
19	Conduit (B)	Copper	428601-01	1	1	1		
20	Tie	CV-100	7920-0002	1	1	1		
21	Conduit (D)	Copper	428623-01	1	1	1		
22	Bracket - Pipe	G.S	428092-01	5	5	5		
23	Clamp	No.249	427902-03	1	1	1		

E

HA

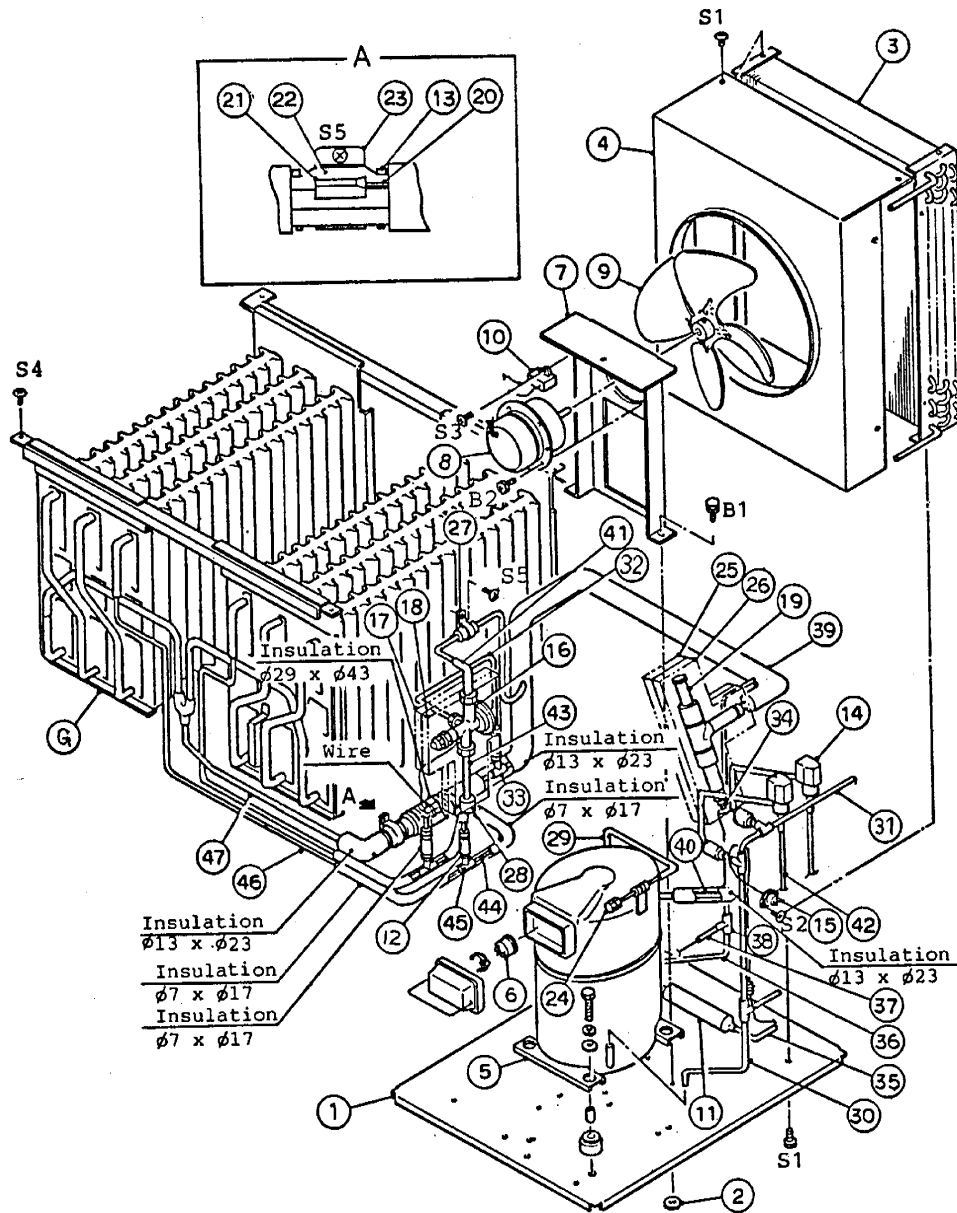
MODEL		TITLE						
KM-1201DSU		A. ICE CUBER ASSEMBLY						
INDEX NO.	DESCRIPTION	MATERIAL OR MODEL NUMBER	PART NUMBER	REQ'D NUMBER				
				F-1	G-1	G-2	H-1	H-2
24	Bushing	SR-34-2	420472-05	1	1	1	1	1
25	Bushing	SR-30-1	420470-03	1	1	1	1	1
26	Grommet	SG-16A	410666-02	1	1	1	1	1
27	Bushing	SB-625-8	420470-01	1	1	1	1	1
28	Bushing	B-312-250	428643-01	1	1	1	1	-
29	Cover (Right) - Water Supply	S.S	318094-01	1	1	1	1	-
30	Cover (Left) - Water Supply	S.S	318133-01	1	1	1	1	-
31	Separator	ABS	432777-01			2	2	2
32	Grounding Screw	Brass	433304-01				1	1
33	Square Washer	Copper	433537-01				1	1
34	Cover - Water Supply	ABS	212119G01					1

E

HA

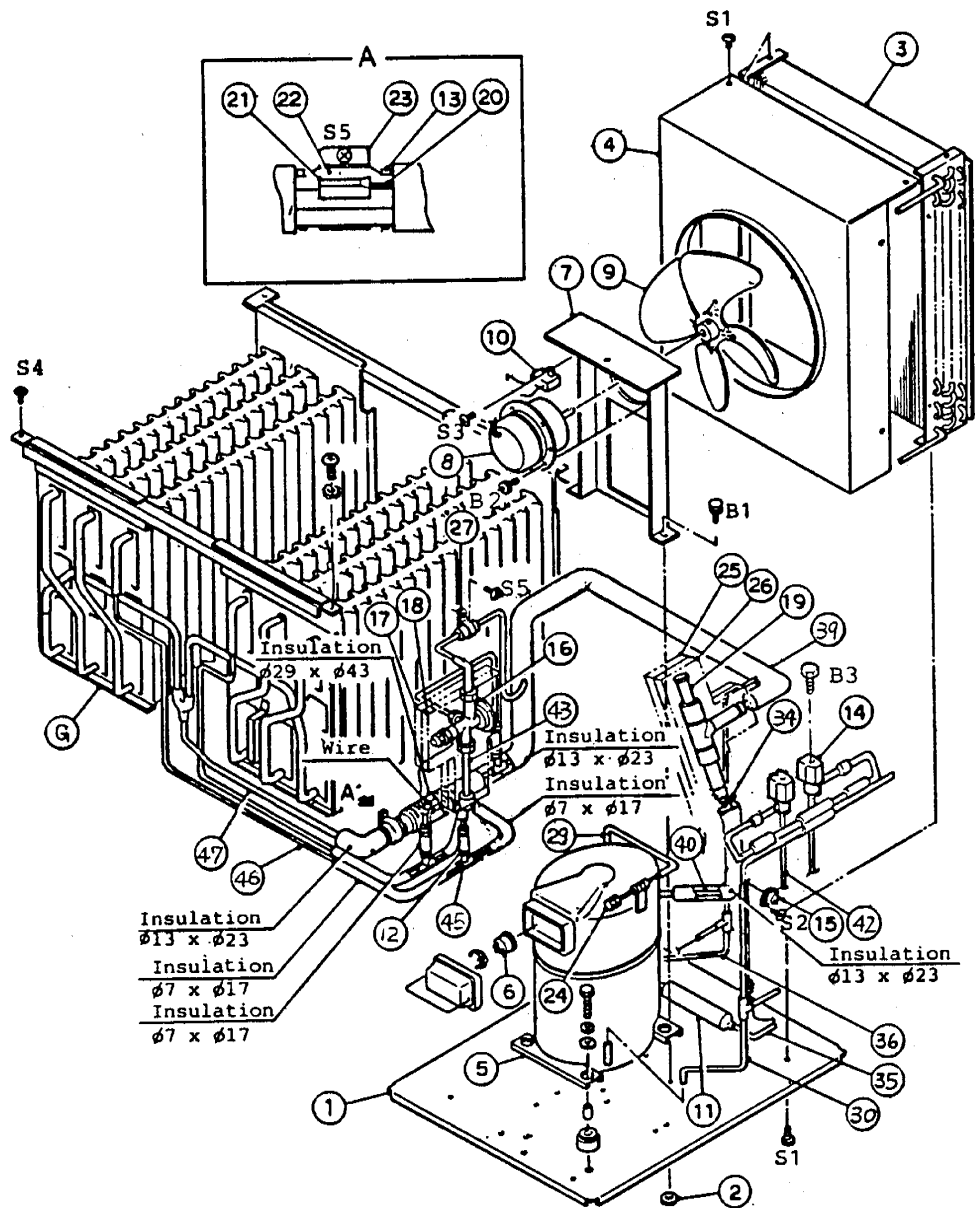
MODEL		TITLE					
KM-1201DSU		A. ICE CUBER ASSEMBLY					
INDEX NO.	DESCRIPTION	MATERIAL OR MODEL NUMBER	PART NUMBER	REQ'D NUMBER			
				H-3	J-1	J-2	
24	Bushing	SR-34-2	420472-05	1	1	1	
25	Bushing	SR-30-1	420470-03	1	1	1	
26	Grommet	SG-16A	410666-02	1	1	1	
27	Bushing	SB-625-8	420470-01	1	1	1	
28	-	-	-	-			
29	-	-	-	-			
30	-	-	-	-			
31	Separator	ABS	432777-01	2	2	2	
32	Grounding Screw	Brass	433304-01	1	1	1	
33	Square Washer	Copper	433537-01	1	1	1	
34	Cover - Water Supply	ABS	212119G01	1	1	1	
35	Barrier	G.S	436237G01			①	

E



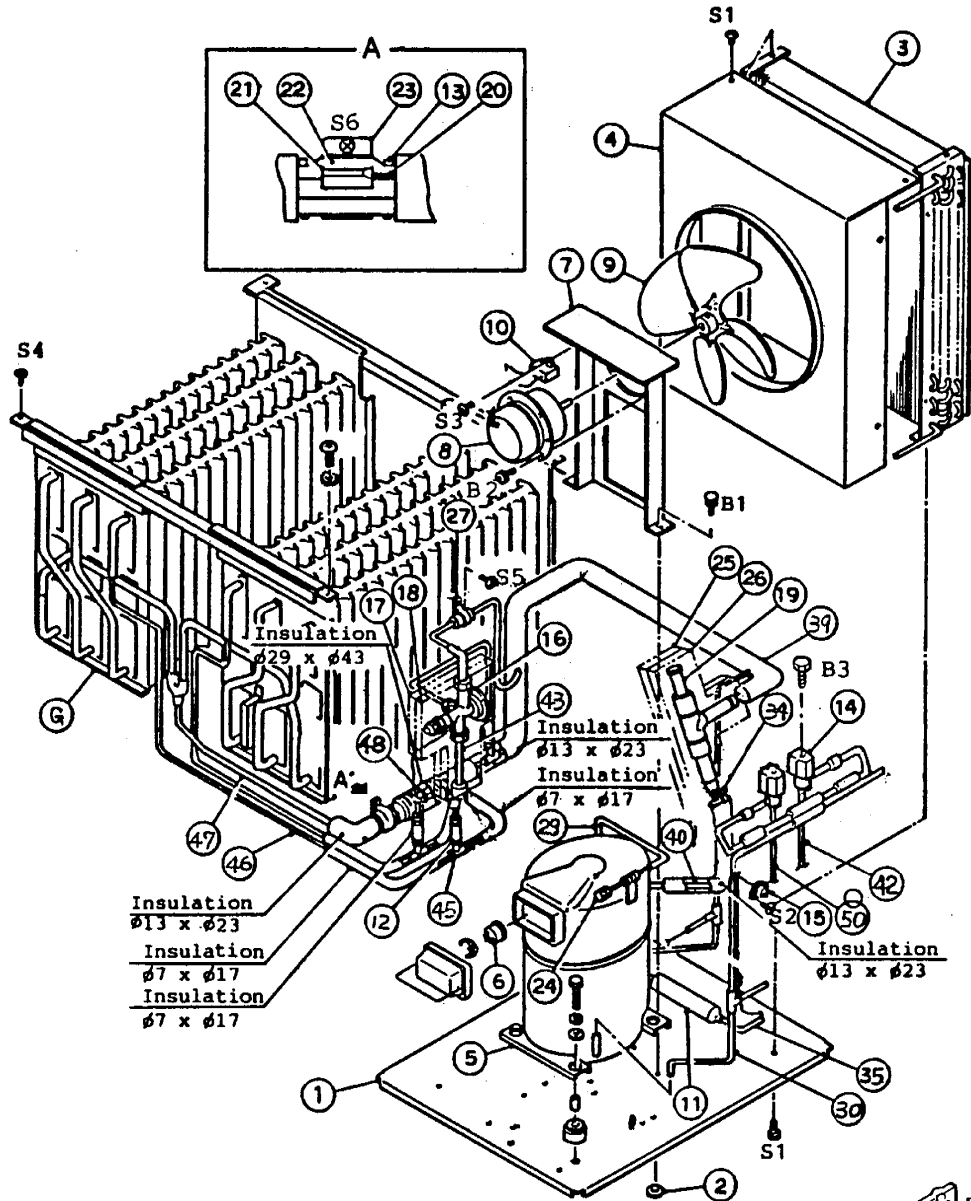
FASTENER

- S1 - TRUSS HEAD TAPPING SCREW, M4x8
- S2 - TRUSS HEAD TAPPING SCREW, M3x8
- S3 - TRUSS HEAD MACHINE SCREW, M4x8
- S4 - PAN HEAD MACHINE SCREW, STAINLESS, M4x10
- S5 - TRUSS HEAD MACHINE SCREW, STAINLESS, M4x12
- B1 - HEXAGON BOLT AND SPRING WASHER + PLAIN WASHER ASSY, STAINLESS, M4x12
- B2 - HEXAGON BOLT AND SPRING WASHER + PLAIN WASHER ASSY, M4x12



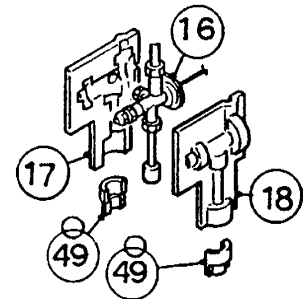
FASTENER

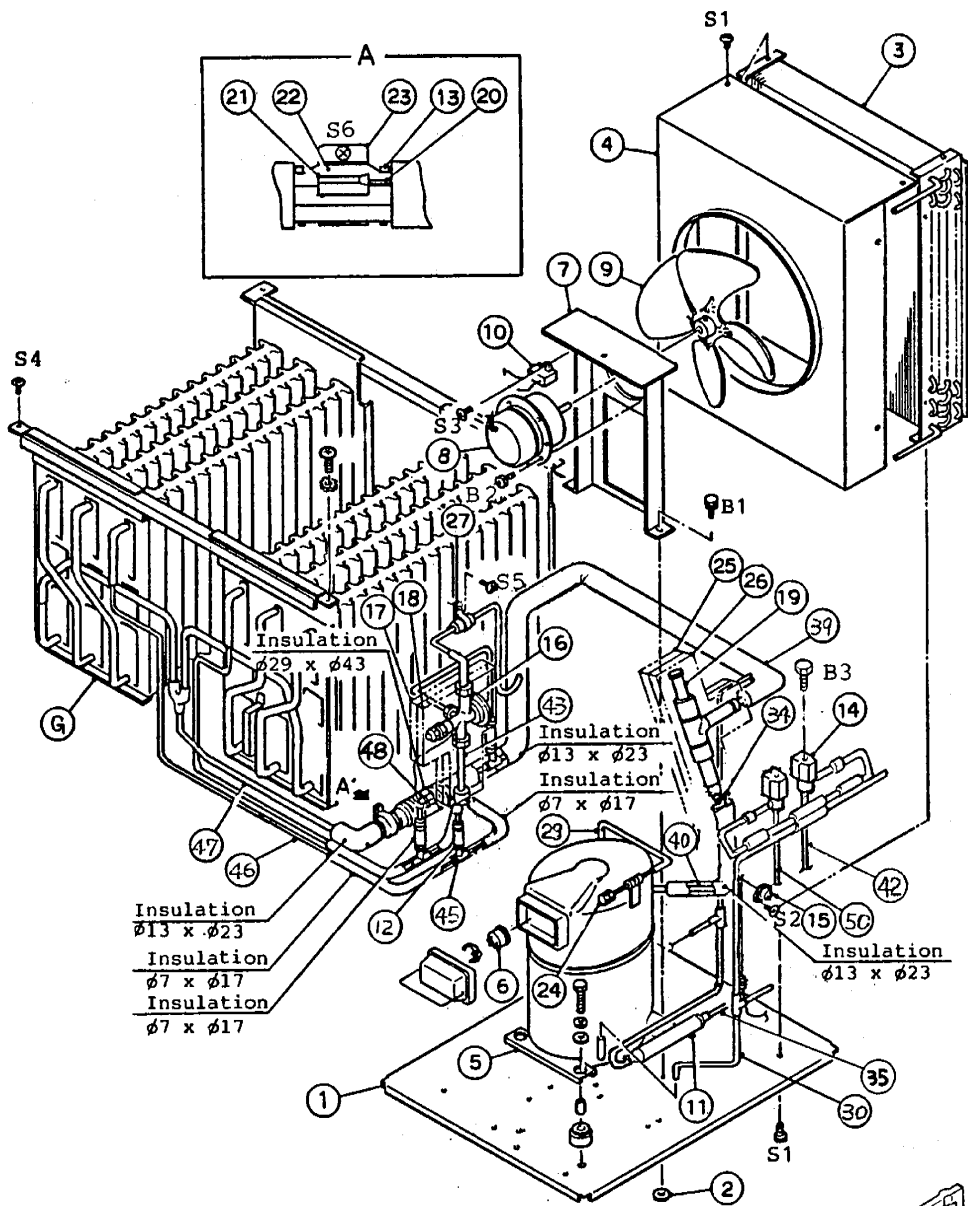
- S1 - TRUSS HEAD TAPPING SCREW, M4x8
- S2 - TRUSS HEAD TAPPING SCREW, M3x8
- S3 - TRUSS HEAD MACHINE SCREW, M4x8
- S4 - PAN HEAD MACHINE SCREW, STAINLESS, M4x10
- S5 - TRUSS HEAD MACHINE SCREW, STAINLESS, M4x12
- B1 - HEXAGON BOLT AND SPRING WASHER + PLAIN WASHER ASSY, STAINLESS, M4x12
- B2 - HEXAGON BOLT AND SPRING WASHER + PLAIN WASHER ASSY, M4x12
- B3 - HEXAGON HEAD BOLT, STAINLESS, M4x8



FASTENER

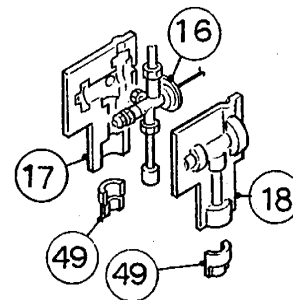
- S1 - TRUSS HEAD TAPPING SCREW, M4x8
- S2 - TRUSS HEAD TAPPING SCREW, M3x8
- S3 - TRUSS HEAD MACHINE SCREW, M4x8
- S4 - PAN HEAD MACHINE SCREW, STAINLESS, M4x10
- S5 - TRUSS HEAD MACHINE SCREW, STAINLESS, M4x12
- S6 - TRUSS HEAD TAPPING SCREW, STAINLESS, M4x12
- B1 - HEXAGON BOLT AND SPRING WASHER + PLAIN WASHER ASSY, STAINLESS, M4x12
- B2 - HEXAGON BOLT AND SPRING WASHER + PLAIN WASHER ASSY, M4x12
- B3 - HEXAGON BOLT, STAINLESS, M4x8

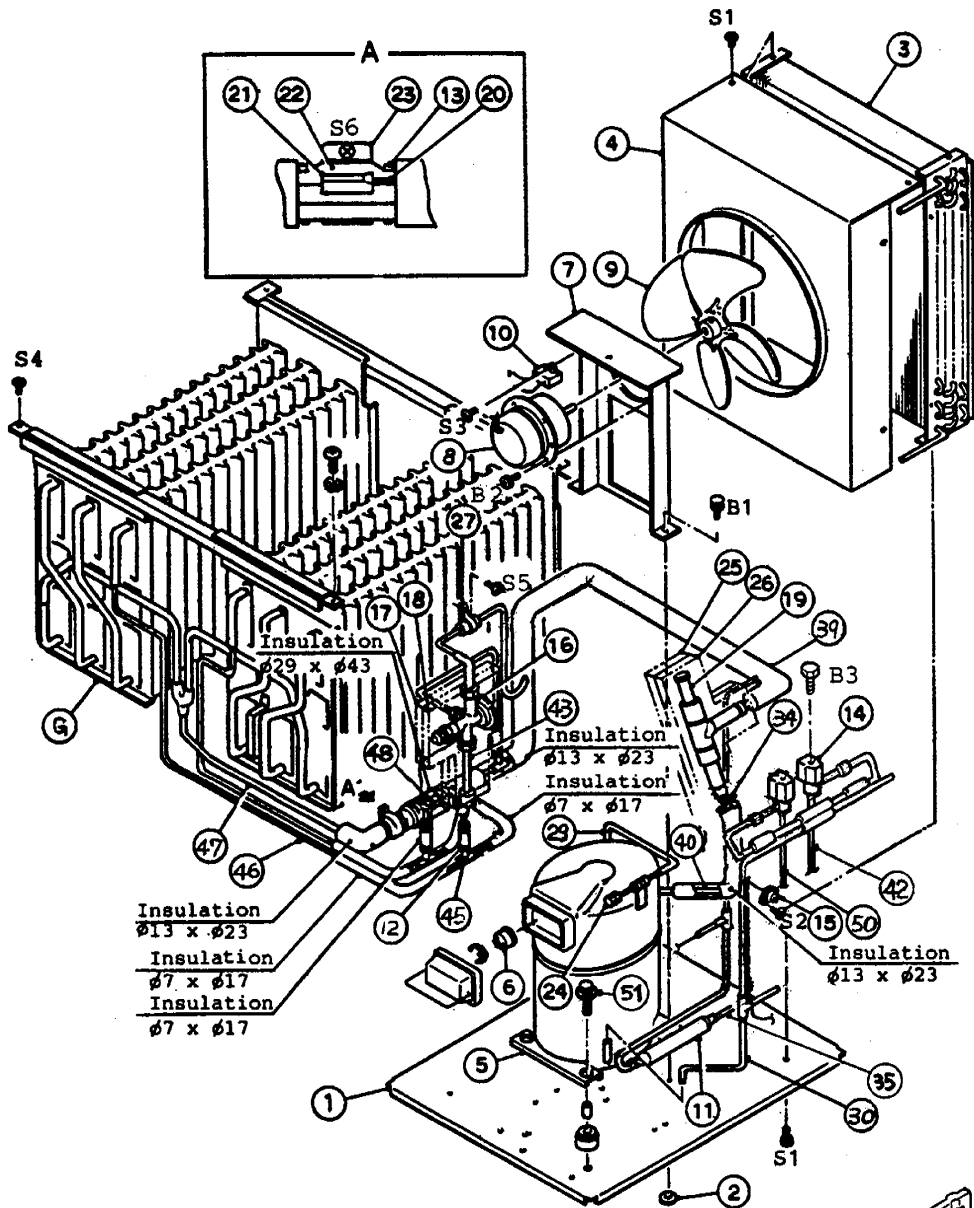




FASTENER

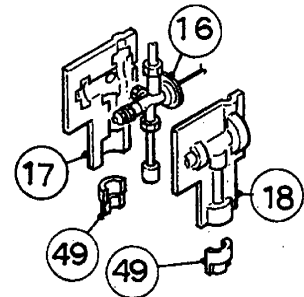
- S1 - TRUSS HEAD TAPPING SCREW, M4x8
- S2 - TRUSS HEAD TAPPING SCREW, M3x8
- S3 - TRUSS HEAD MACHINE SCREW, M4x8
- S4 - PAN HEAD MACHINE SCREW, STAINLESS, M4x10
- S5 - TRUSS HEAD MACHINE SCREW, STAINLESS, M4x12
- S6 - TRUSS HEAD TAPPING SCREW, STAINLESS, M4x12
- B1 - HEXAGON BOLT AND SPRING WASHER + PLAIN WASHER ASSY, STAINLESS, M4x12
- B2 - HEXAGON BOLT AND SPRING WASHER + PLAIN WASHER ASSY, M4x12
- B3 - HEXAGON BOLT, STAINLESS, M4x8





FASTENER

- S1 - TRUSS HEAD TAPPING SCREW, M4x8
- S2 - TRUSS HEAD TAPPING SCREW, M3x8
- S3 - TRUSS HEAD MACHINE SCREW, M4x8
- S4 - PAN HEAD MACHINE SCREW, STAINLESS, M4x10
- S5 - TRUSS HEAD MACHINE SCREW, STAINLESS, M4x12
- S6 - TRUSS HEAD TAPPING SCREW, STAINLESS, M4x12
- B1 - HEXAGON BOLT AND SPRING WASHER + PLAIN WASHER ASSY, STAINLESS, M4x12
- B2 - HEXAGON BOLT AND SPRING WASHER + PLAIN WASHER ASSY, M4x12
- B3 - HEXAGON BOLT, STAINLESS, M4x8



HA

MODEL		TITLE						
KM-1201DU		B. REFRIGERATION UNIT						
INDEX NO.	DESCRIPTION	MATERIAL OR MODEL NUMBER	PART NUMBER	REQ'D NUMBER				
				F-1	G-1	G-2	H-1	H-2
G	EVAPORATOR ASSEMBLY	-	103516A01	1	1	1	1	1
1	Chassis	G.S	318100G01	1	-			
			320670G01		1	1	1	1
2	Washer	ABS	425842-01	3	3	3	3	3
3	Condenser - Air-cooled	-	210251-01	1	1	1	1	1
4	Shroud	G.S	219497-01	1	-			
			209497-02		1	1	1	1
5	Compressor	KL187JD-3U	2U0070-01	1	1	1	1	1
6	Overload	23S81	428653-01	1	1	1	1	1
7	Bracket - Fan Motor	G.S	318065G01	1	1	1	1	1
8	Fan Motor	IJ30104	2U0064-01	1	-			
		EP-TZ56	2U0090-01		1	1	1	1
9	Fan Blade	U460E020G2	425313-02	1	-			
		FW-30PHR	421462-01		1	1	1	1
10	Capacitor - Fan Motor	6 μ F, 220V	427076-01	1	-			
			431928-01		1	1	1	1
11	Drier	DYN330HD	428632-01	1	1	1	1	1
12	Tie	CV-100	7920-0002	12	12	12	12	12
13	Tie	CV-150	7920-0003	5	5	5	5	5
14	Hot Gas Valve	ABS-25-1-HD-2	3U0033-01	2	2	2	2	2
15	Pressure Switch	PS-7 CUT OFF 25K	3U0069-04	1	1	1	1	1
16	Expansion Valve	BHX-45040	428633-01	1	1	1	1	1
17	Cover (A) - Expansion Valve	PE	428593-01	1	1	1	1	1
18	Cover (B) - Expansion Valve	PE	428593-02	1	1	1	1	1
19	Suction Pressure Regulator	SPR-1905DQ52	428634-01	1	1	1	1	1
20	Thermistor	-	427062-01	1	1	1	1	1
21	Holder - Thermistor	Copper	427430-01	1	1	1	1	1
22	Insulation - Thermistor	PE	427441-01	1	1	1	1	1
23	Strap - Themistor	S.S	427431-01	1	1	1	1	1
24	Access Valve	TCJ-2F15-HD	417366-01	1	1	1	1	1
25	Insulation (A) - SPR	PE	428592-01	1	1	1	1	1
26	Insulation (B) - SPR	PE	428592-02	1	1	1	1	1

E

MODEL		TITLE					
KM-1201DU		B. REFRIGERATION UNIT					
INDEX NO.	DESCRIPTION	MATERIAL OR MODEL NUMBER	PART NUMBER	REQ'D NUMBER			
				H-3	J-1		
G	EVAPORATOR ASSEMBLY	-	103516A01	1	1		
1	Chassis	G.S	320670G01	1	1		
2	Washer	ABS	425842-01	3	3		
3	Condenser - Air-cooled	-	210251-01	1	1		
4	Shroud	G.S	209497-02	1	1		
5	Compressor	KL187JD-3U	2U0070-01	1	1		
6	Overload	23S81	428653-01	1	1		
7	Bracket - Fan Motor	G.S	318065G01	1	1		
8	Fan Motor	EP-TZ56	2U0090-01	1	1		
9	Fan Blade	FW-30PHR	421462-01	1	1		
10	Capacitor - Fan Motor	6 μ F, 220V	431928-01	1	1		
11	Drier	DYN330HD	428632-01	1	1		
12	Tie	CV-100	7920-0002	12	12		
13	Tie	CV-150	7920-0003	5	5		
14	Hot Gas Valve	ABS-25-1-HD-2	3U0033-01	2	2		
15	Pressure Switch	PS-7 CUT OFF 25K	3U0069-04	1	1		
16	Expansion Valve	BHX-45040	428633-01	1	1		
17	Cover (A) - Expansion Valve	PE	428593-01	1	1		
18	Cover (B) - Expansion Valve	PE	428593-02	1	1		
19	Suction Pressure Regulator	SPR-1905DG52	428634-01	1	1		
20	Thermistor	-	427062-01	1	1		
21	Holder - Thermistor	Copper	427430-01	1	1		
22	Insulation - Thermistor	PE	427441-01	1	1		
23	Strap - Themistor	S.S	427431-01	1	X		
			4A0035-01		①		
24	Access Valve	TCJ-2F15-HD	417366-01	1	1		
25	Insulation (A) - SPR	PE	428592-01	1	1		
26	Insulation (B) - SPR	PE	428592-02	1	1		

HA

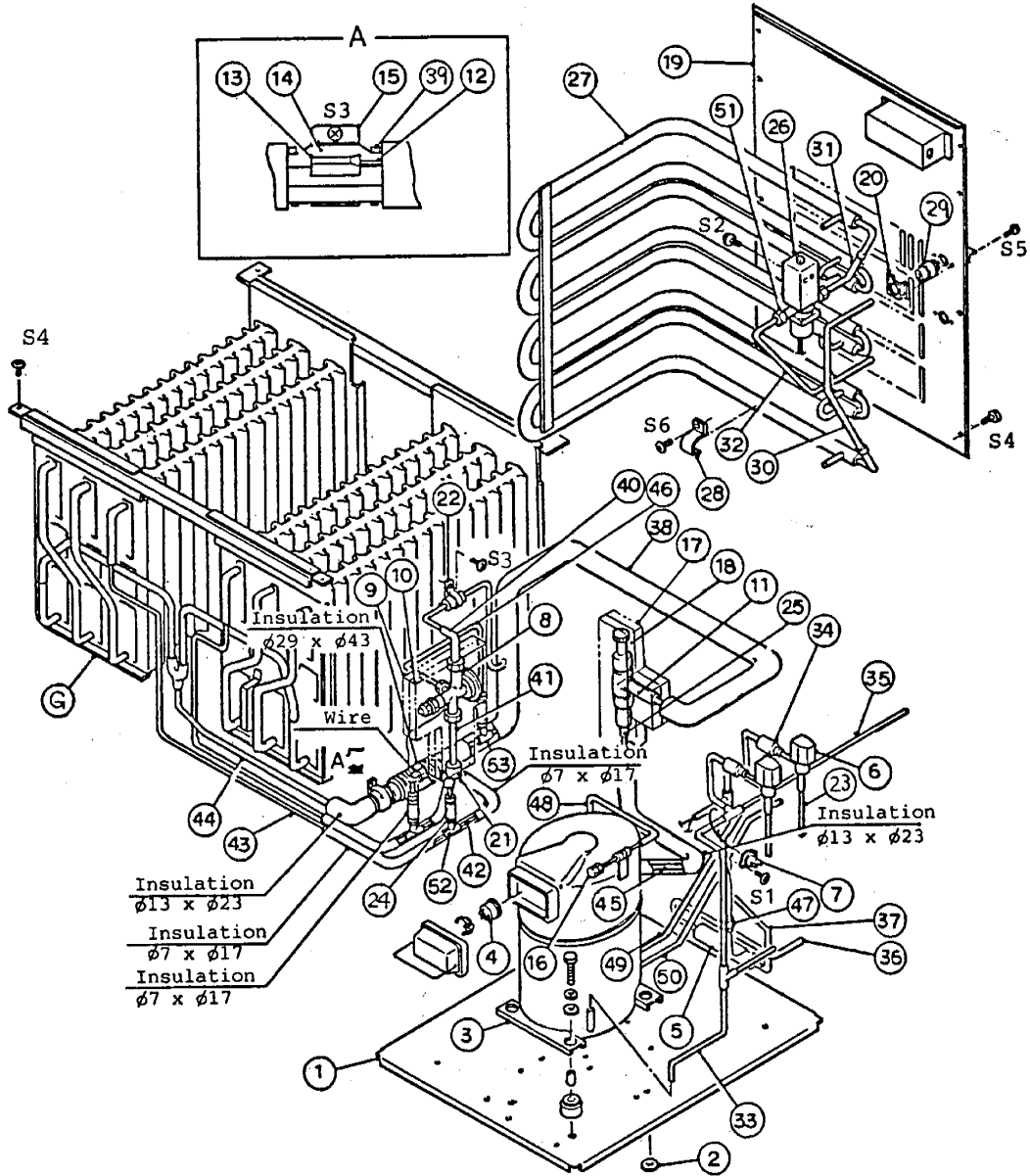
MODEL		TITLE						
KM-1201DU		B. REFRIGERATION UNIT						
INDEX NO.	DESCRIPTION	MATERIAL OR MODEL NUMBER	PART NUMBER	REQ'D NUMBER				
				F-1	G-1	G-2	H-1	H-2
27	Clamp	NK-12N	418814-12	1	1	1	1	1
28	Distributor	MD001E001G01	428635-01	1	1	1	1	1
29	Pipe	Copper	429359-01	1	1	1	1	1
30	Pipe (A) - High Side	Copper	429348G01	1	-			
			432269G01		1	X		
			211458G01			⓪	1	1
31	Pipe (B) - High Side	Copper	319457G01	1	-			
			432268G01		1	-		
			320889G01			X		
32	Pipe (G) - Low Side	Copper	429347-01	1	1	X		
33	Tee	Copper	420041-10	1	1	X		
34	Reducer	Copper	420915-04	2	2	2	2	2
35	Pipe (E) - High Side	Copper	429353-01	1	1	1	1	1
36	Pipe (F) - High Side	Copper	429354-01	1	1	X		
37	Pipe (G) - High Side	Copper	429355G01	1	1	X		
38	Tee	Copper	420041-05	1	-			
			431618-01		1	X		
39	Heat Exchanger	Copper	318694G01	1	1	X		
			211456G01			⓪	1	1
40	Pipe (F) - Low Side	Copper	429346-01	1	1	X		
			429346G01			⓪	1	1
41	Pipe (L) - High Side	Copper	429362-01	1	1	X		
42	Pipe - Hot Gas	Copper	430265G01	2	2	2	2	2
43	Pipe (A) - Low Side	Copper	429357-01	1	1	X		
			432879G01			⓪	1	1
44	Pipe (B) - Low Side	Copper	429358-01	2	2	X		
45	Tee	Copper	417394-01	2	2	2	2	2
46	Pipe (C) - Low Side	Copper	430266G01	1	1	1	2	2
47	Pipe (D) - Low Side	Copper	429344-01	1	1	X		
			429344G01			⓪	1	1

E

HA

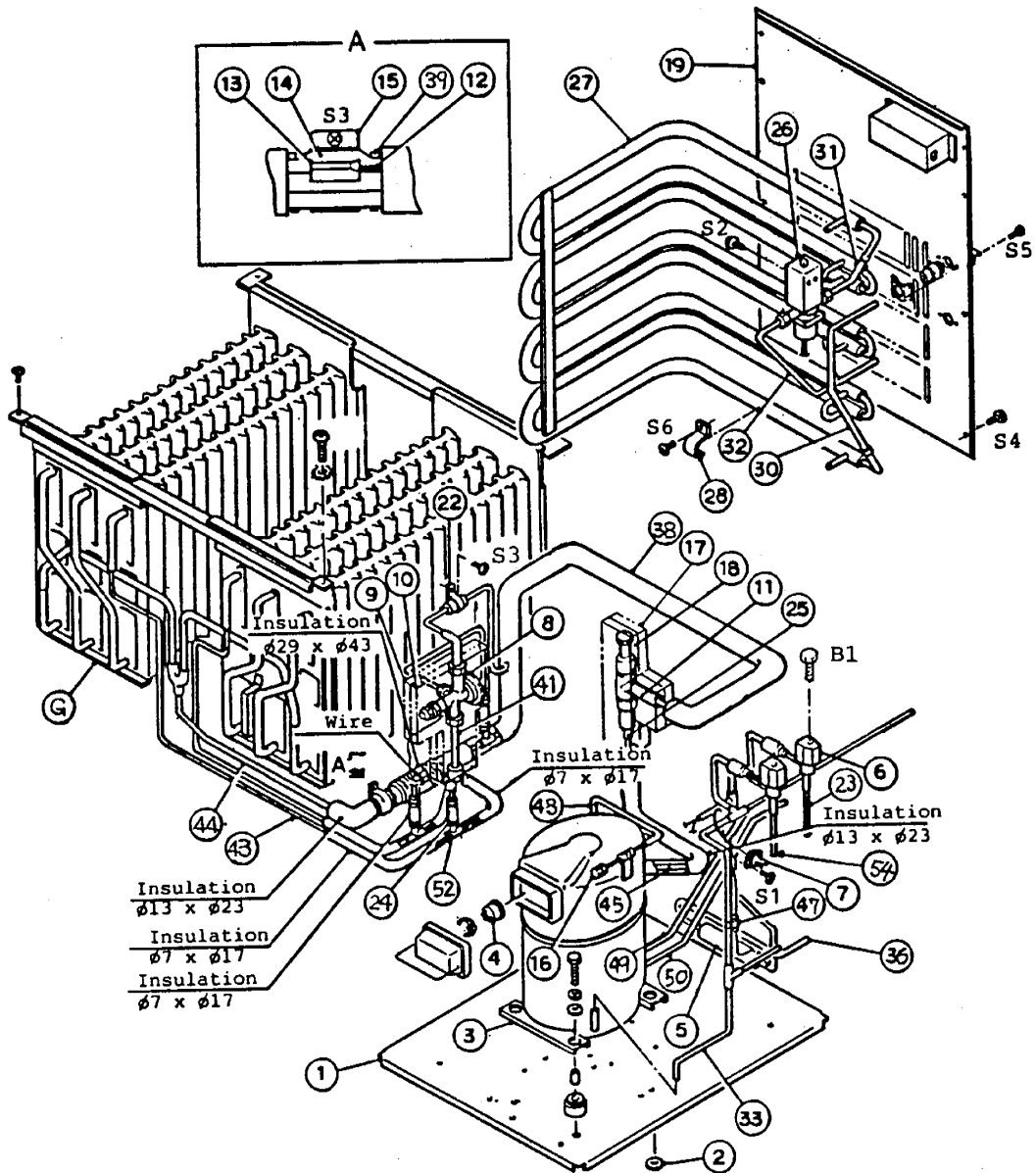
MODEL		TITLE						
KM-1201DU		B. REFRIGERATION UNIT						
INDEX NO.	DESCRIPTION	MATERIAL OR MODEL NUMBER	PART NUMBER	REQ'D NUMBER				
				H-3	J-1			
27	Clamp	NK-12N	418814-12	1	1			
28	Distributor	MD001E001G01	428635-01	1	1			
29	Pipe	Copper	429359-01	1	1			
30	Pipe (A) - High Side	Copper	211458G01	1	1			
31	-	-	-	-				
32	-	-	-	-				
33	-	-	-	-				
34	Reducer	Copper	420915-04	2	2			
35	Pipe (E) - High Side	Copper	429353-01	1	X			
			4A0033-01		①			
36	-	-	-	-				
37	-	-	-	-				
38	-	-	-	-				
39	Heat Exchanger	Copper	211456G01	1	1			
40	Pipe (F) - Low Side	Copper	429346G01	1	1			
41	-	-	-	-				
42	Pipe - Hot Gas	Copper	430265G01	2	X			
					①			
43	Pipe (A) - Low Side	Copper	432879G01	1	1			
44	-	-	-	-				
45	Tee	Copper	417394-01	2	X			
			436000-01		②			
46	Pipe (C) - Low Side	Copper	430266G01	2	2			
47	Pipe (D) - Low Side	Copper	429344G01	1	1			
48	Clamp	D11-S	435254-04	3	3			
49	Exp. Valve Cover (C)	PE	435051-01		2			
50	Pipe (C) - Hot Gas	Copper	430265G02		①			
51	Bolt	-	437889-01		④			

E



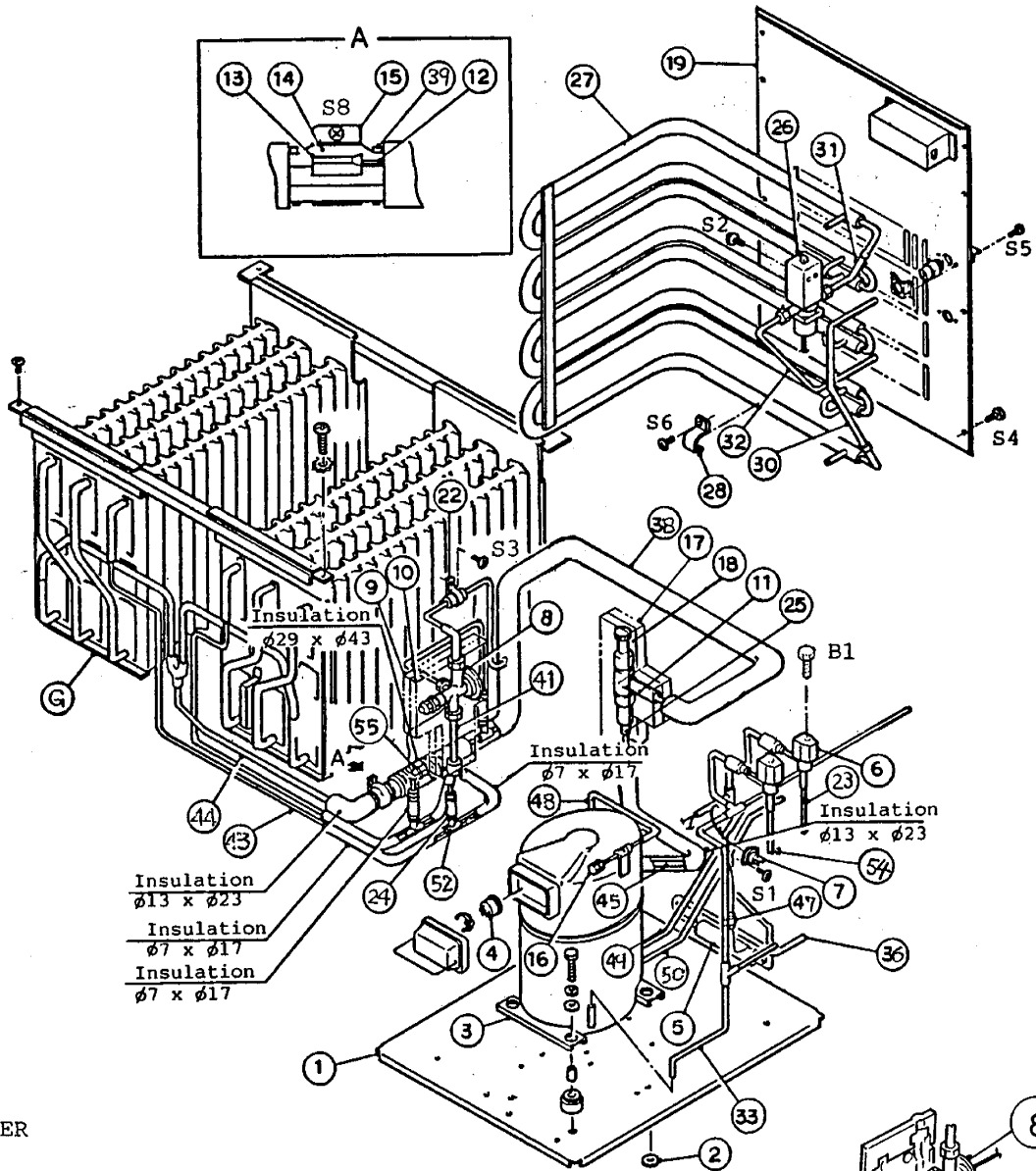
FASTENER

- S1 - TRUSS HEAD TAPPING SCREW, M3x8
- S2 - TRUSS HEAD MACHINE SCREW, STAINLESS, M4x8
- S3 - TRUSS HEAD MACHINE SCREW, STAINLESS, M4x12
- S4 - PAN HEAD MACHINE SCREW, M4x8
- S5 - TRUSS HEAD MACHINE SCREW, M4x8
- S6 - TRUSS HEAD TAPPING SCREW, M4x8
- S7 - PAN HEAD MACHINE SCREW, STAINLESS, M4x10



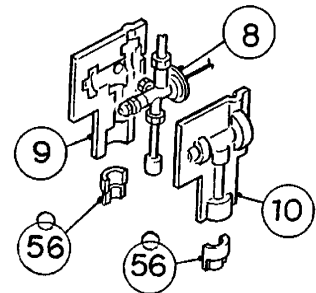
FASTENER

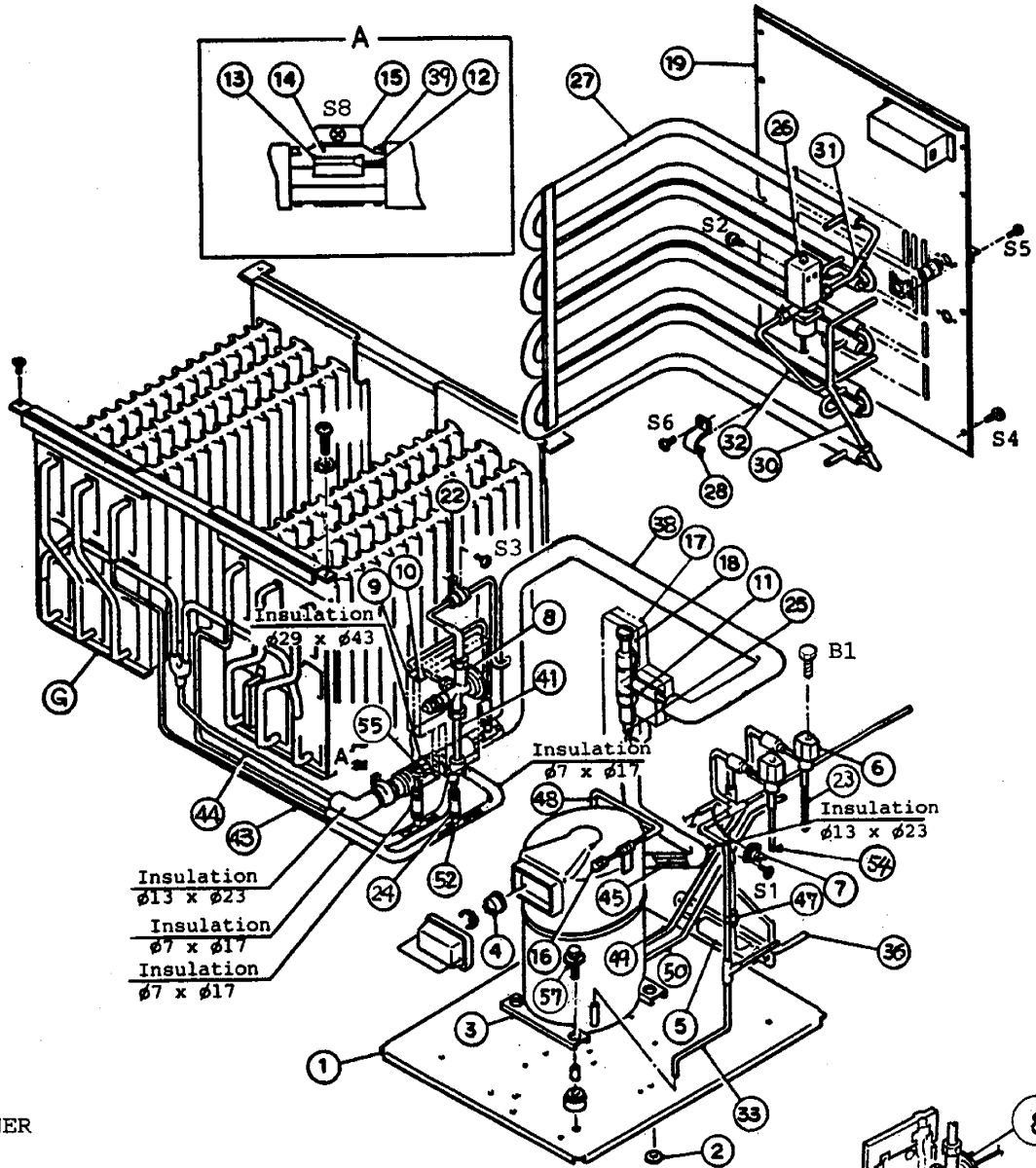
- S1 - TRUSS HEAD TAPPING SCREW, M3x8
- S2 - TRUSS HEAD MACHINE SCREW, STAINLESS, M4x8
- S3 - TRUSS HEAD MACHINE SCREW, STAINLESS, M4x12
- S4 - PAN HEAD MACHINE SCREW, M4x8
- S5 - TRUSS HEAD MACHINE SCREW, M4x8
- S6 - TRUSS HEAD TAPPING SCREW, M4x8
- S7 - PAN HEAD MACHINE SCREW, STAINLESS, M4x10
- B1 - HEXAGON HEAD BOLT, STAINLESS, M4x8



FASTENER

- S1 - TRUSS HEAD TAPPING SCREW, M3x8
- S2 - TRUSS HEAD MACHINE SCREW, STAINLESS, M4x8
- S3 - TRUSS HEAD MACHINE SCREW, STAINLESS, M4x12
- S4 - PAN HEAD MACHINE SCREW, M4x8
- S5 - TRUSS HEAD MACHINE SCREW, M4x8
- S6 - TRUSS HEAD TAPPING SCREW, M4x8
- S7 - PAN HEAD MACHINE SCREW, STAINLESS, M4x10
- S8 - TRUSS HEAD TAPPING SCREW, STAINLESS, M4x12
- B1 - HEXAGON HEAD BOLT, STAINLESS, M4x8





FASTENER

- S1 - TRUSS HEAD TAPPING SCREW, M3x8
- S2 - TRUSS HEAD MACHINE SCREW, STAINLESS, M4x8
- S3 - TRUSS HEAD MACHINE SCREW, STAINLESS, M4x12
- S4 - PAN HEAD MACHINE SCREW, M4x8
- S5 - TRUSS HEAD MACHINE SCREW, M4x8
- S6 - TRUSS HEAD TAPPING SCREW, M4x8
- S7 - PAN HEAD MACHINE SCREW, STAINLESS, M4x10
- S8 - TRUSS HEAD TAPPING SCREW, STAINLESS, M4x12
- B1 - HEXAGON HEAD BOLT, STAINLESS, M4x8

HA

MODEL		TITLE						
KM-1201DWU		B. REFRIGERATION UNIT						
INDEX NO.	DESCRIPTION	MATERIAL OR MODEL NUMBER	PART NUMBER	REQ'D NUMBER				
				F-1	G-1	G-2	H-1	H-2
G	EVAPORATOR ASSEMBLY	-	103516A01	1	1	1	1	1
1	Chassis	G.S	318100G03	1	1	1	1	1
2	Washer	ABS	425842-01	3	3	3	3	3
3	Compressor	KL187JD-3U	2U0070-01	1	1	1	1	1
4	Overload	23S81	428653-01	1	1	1	1	1
5	Drier	DYN330HD	428632-01	1	1	1	1	1
6	Hot Gas Valve	ABS-25-1-HD-2	3U0033-01	2	2	2	2	2
7	Pressure Switch	PS-7 CUT OFF 25K	3U0069-04	1	1	1	1	1
8	Expansion Valve	BHX-45040	428633-01	1	1	1	1	1
9	Cover (A) - Expansion Valve	PE	428593-01	1	1	1	1	1
10	Cover (B) - Expansion Valve	PE	428593-02	1	1	1	1	1
11	Suction Pressure Regulator	SPR-1905DQ52	428634-01	1	1	1	1	1
12	Thermistor	-	427062-01	1	1	1	1	1
13	Holder - Thermistor	Copper	427430-01	1	1	1	1	1
14	Insulation - Thermistor	PE	427441-01	1	1	1	1	1
15	Strap - Thermistor	S.S	427431-01	1	1	1	1	1
16	Access Valve	TCJ-2F15-HD	417366-01	1	1	1	1	1
17	Insulation (A) - SPR	PE	428592-01	1	1	1	1	1
18	Insulation (B) - SPR	PE	428592-02	1	1	1	1	1
19	Rear Panel	G.S	209791G01	1	1	1	1	1
20	Bracket	G.S	429243-01	2	2	X		
21	Distributor	MD001E001G01	428635-01	1	1	X		
22	Clamp	NK-12N	418814-12	1	1	1	1	1
23	Pipe - Hot Gas	Copper	429360G01	2	2	X		
			429360G01			①	1	1
24	Tie	CV-100	7920-0002	13	13	13	13	13
25	Reducer	Copper	420915-04	2	2	2	2	2
26	Water Regulator	AWR1204BLW	429262-01	1	1	1	-	
		WV-4RHD-1	433996-01				1	1
27	Condenser - Water-cooled	(S-0477)	209773G01	1	1	1	1	1
28	Clamp (B) - Cond.	G.S	4H0622-01	6	6	6	6	6
29	Coupling (Male)	YUS 40	421278-03	2	2	X		

E

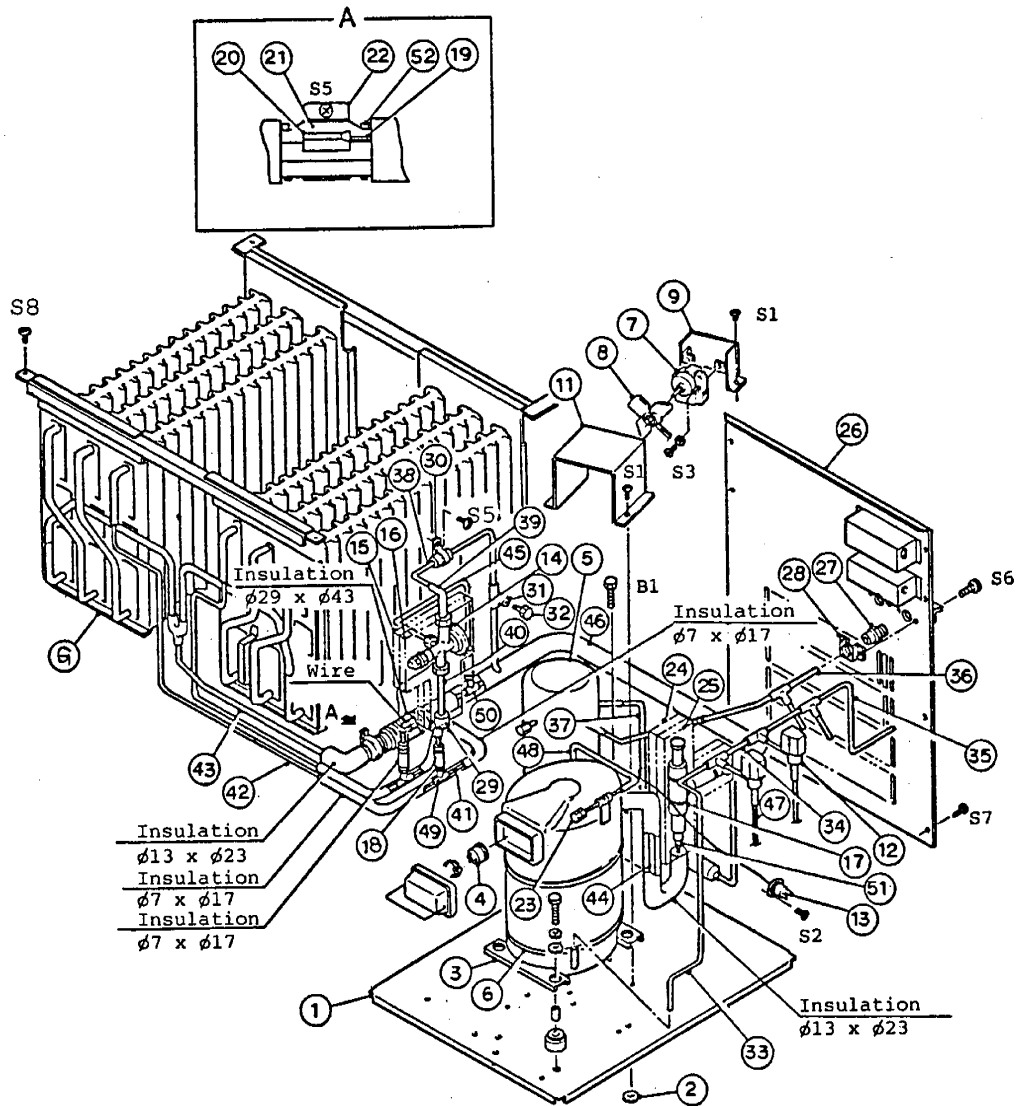
MODEL		TITLE						
KM-1201DWU		B. REFRIGERATION UNIT						
INDEX NO.	DESCRIPTION	MATERIAL OR MODEL NUMBER	PART NUMBER	REQ'D NUMBER				
				H-3	J-1			
G	EVAPORATOR ASSEMBLY	-	103516A01	1	1			
1	Chassis	G.S	318100G03	1	1			
2	Washer	ABS	425842-01	3	3			
3	Compressor	KL187JD-3U	2U0070-01	1	1			
4	Overload	23S81	428653-01	1	1			
5	Drier	DYN330HD	428632-01	1	1			
6	Hot Gas Valve	ABS-25-1-HD-2	3U0033-01	2	2			
7	Pressure Switch	PS-7 CUT OFF 25K	3U0069-04	1	1			
8	Expansion Valve	BHX-45040	428633-01	1	1			
9	Cover (A) - Expansion Valve	PE	428593-01	1	1			
10	Cover (B) - Expansion Valve	PE	428593-02	1	1			
11	Suction Pressure Regulator	SPR-1905DQ52	428634-01	1	1			
12	Thermistor	-	427062-01	1	1			
13	Holder - Thermistor	Copper	427430-01	1	1			
14	Insulation - Thermistor	PE	427441-01	1	1			
15	Strap - Thermistor	S.S	427431-01	1	X			
			4A0035-01		①			
16	Access Valve	TCJ-2F15-HD	417366-01	1	1			
17	Insulation (A) - SPR	PE	428592-01	1	1			
18	Insulation (B) - SPR	PE	428592-02	1	1			
19	Rear Panel	G.S	209791G01	1	1			
20	-	-	-	-	-			
21	-	-	-	-	-			
22	Clamp	NK-12N	418814-12	1	1			
23	Pipe - Hot Gas	Copper	429360G01	1	1			
24	Tie	CV-100	7920-0002	13	13			
25	Reducer	Copper	420915-04	2	2			
26	Water Regulator	WV-4RHD-1	433996-01	1	1			
27	Condenser - Water-cooled	(S-0477)	209773G01	1	1			
28	Clamp (B) - Cond.	G.S	4H0622-01	6	6			
29	-	-	-	-	-			

MODEL		TITLE						
KM-1201DWU		B. REFRIGERATION UNIT						
INDEX NO.	DESCRIPTION	MATERIAL OR MODEL NUMBER	PART NUMBER	REQ'D NUMBER				
				F-1	G-1	G-2	H-1	H-2
30	Pipe (A) - Condenser	Copper	429258G01	1	1	X		
			429258-01			①	1	1
31	Pipe (B) - Condenser	Copper	429259-01	1	1	X		
			429259G01			①	1	1
32	Pipe (C) - Condenser	Copper	429260-01	1	1	X		
			429260G01			①	1	1
33	Pipe (A) - High Side	Copper	430478G01	1	1	X		
			211460G01			①	1	1
34	Pipe (B) - High Side	Copper	430464G01	1	1	X		
35	Pipe (C) - High Side	Copper	429649-01	1	1	X		
36	Pipe (D) - High Side	Copper	429648-01	1	1	1	1	1
37	Pipe (E) - High Side	Copper	429646G01	1	1	X		
38	Heat Exchanger	Copper	318888G01	1	1	X		
			211455G01			①	1	1
39	Tie	CV-150	7920-0003	5	5	5	5	5
40	Pipe (L-1) - High Side	Copper	429362-02	1	1	X		
41	Pipe (A) - Low Side	Copper	429357-01	1	1	X		
			432879G01			①	1	1
42	Pipe (B) - Low Side	Copper	429358-01	2	2	X		
43	Pipe (C) - Low Side	Copper	429363-01	2	2	X		
			429363G01			②	2	2
44	Pipe (D) - Low Side	Copper	429344-01	1	1	X		
			429344G01			①	1	1
45	Pipe (F) - Low Side	Copper	429651-01	1	1	X		
			429651G01			①	1	1
46	Pipe (G) - Low Side	Copper	429347-01	1	1	X		
47	Pipe (G) - High Side	Copper	429355G02	1	1	1	1	1
48	Pipe	Copper	429359-01	1	1	1	1	1
49	Pipe (A) - Oil Cooler	Copper	429647-01	1	1	1	1	1
50	Pipe (B) - Oil Cooler	MN40J	429647-02	1	1	1	1	1
51	Nut - Flare	Copper	419177-03	2	2	X		
52	Tee	Copper	417394-01	2	2	2	2	2
53	Tee	Copper	420041-10	1	1	X		
54	Pipe - Hot Gas	Copper	429360G02			1	1	1

HA

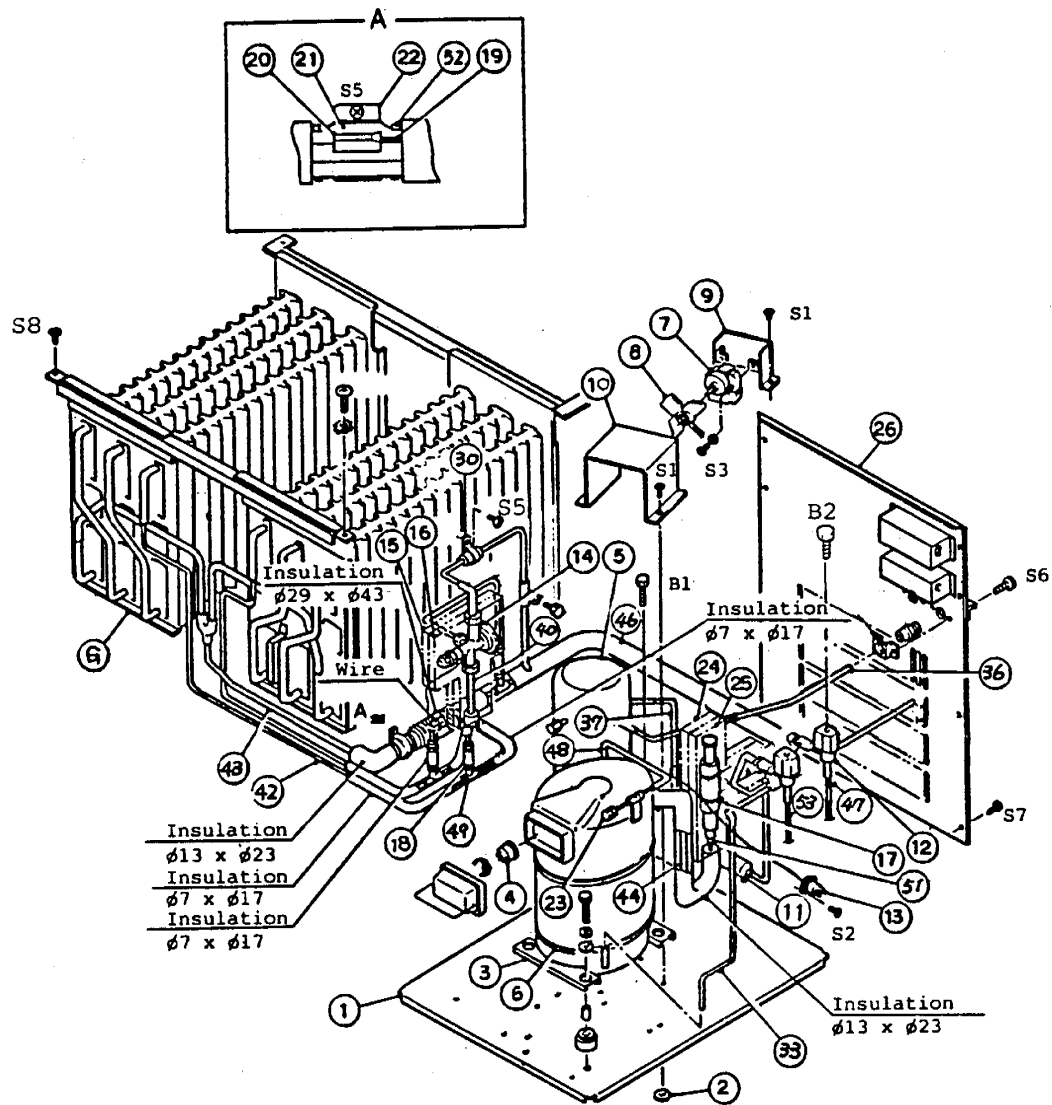
MODEL		TITLE						
KM-1201DWU		B. REFRIGERATION UNIT						
INDEX NO.	DESCRIPTION	MATERIAL OR MODEL NUMBER	PART NUMBER	REQ'D NUMBER				
				H-3	J-1			
30	Pipe (A) - Condenser	Copper	429258-01	1	1			
31	Pipe (B) - Condenser	Copper	429259G01	1	1			
32	Pipe (C) - Condenser	Copper	429260G01	1	1			
33	Pipe (A) - High Side	Copper	211460G01	1	1			
34	-	-	-	-				
35	-	-	-	-				
36	Pipe (D) - High Side	Copper	429648-01	1	1			
37	-	-	-	-				
38	Heat Exchanger	Copper	211455G01	1	1			
39	Tie	CV-150	7920-0003	5	5			
40	-	-	-	-				
41	Pipe (A) - Low Side	Copper	432879G01	1	1			
42	-	-	-	-				
43	Pipe (C) - Low Side	Copper	429363G01	2	2			
44	Pipe (D) - Low Side	Copper	429344G01	1	1			
45	Pipe (F) - Low Side	Copper	429651G01	1	1			
46	-	-	-	-				
47	Pipe (G) - High Side	Copper	429355G02	1	1			
48	Pipe	Copper	429359-01	1	1			
49	Pipe (A) - Oil Cooler	Copper	429647-01	1	1			
50	Pipe (B) - Oil Cooler	MN40J	429647-02	1	1			
51	-	-	-	-				
52	Tee	Copper	417394-01	2	⊗			
			436000-01		②			
53	-	-	-	-				
54	Pipe - Hot Gas	Copper	429360G02	1	1			
55	Clamp	D11-S	435254-04	3	3			
56	Exp. Valve Cover (C)	PE	435051-01		2			
57	Bolt	-	437889-01		④			

E



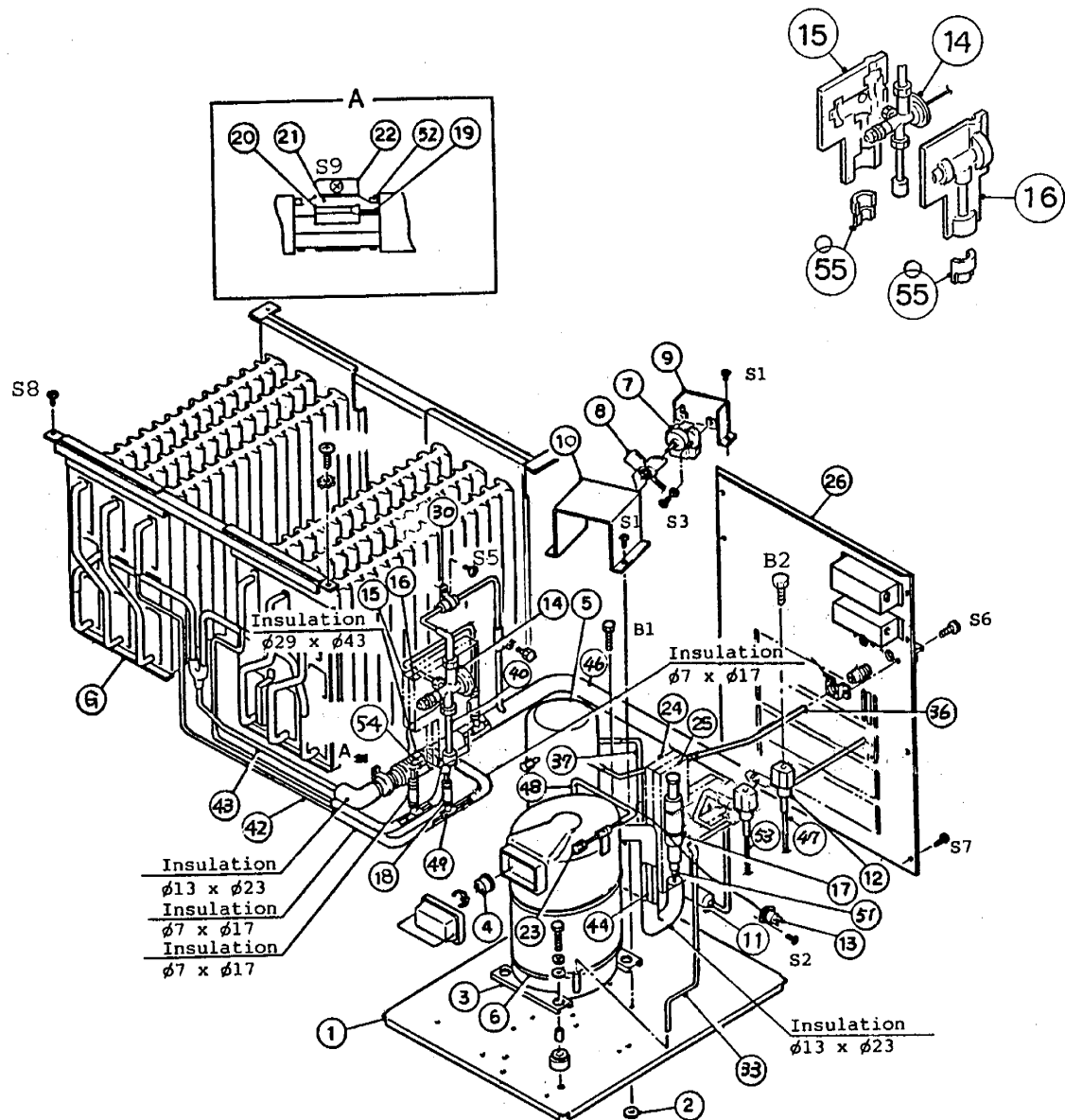
FASTENER

- S1 - TRUSS HEAD TAPPING SCREW, M4x8
- S2 - TRUSS HEAD TAPPING SCREW, M3x8
- S3 - TRUSS HEAD MACHINE SCREW, M4x25
- S5 - TRUSS HEAD MACHINE SCREW, STAINLESS, M4x12
- S6 - TRUSS HEAD MACHINE SCREW, M4x8
- S7 - PAN HEAD MACHINE SCREW, STAINLESS, M4x8
- S8 - PAN HEAD MACHINE SCREW, STAINLESS, M4x10
- B1 - HEXAGON HEAD BOLT, M8x12



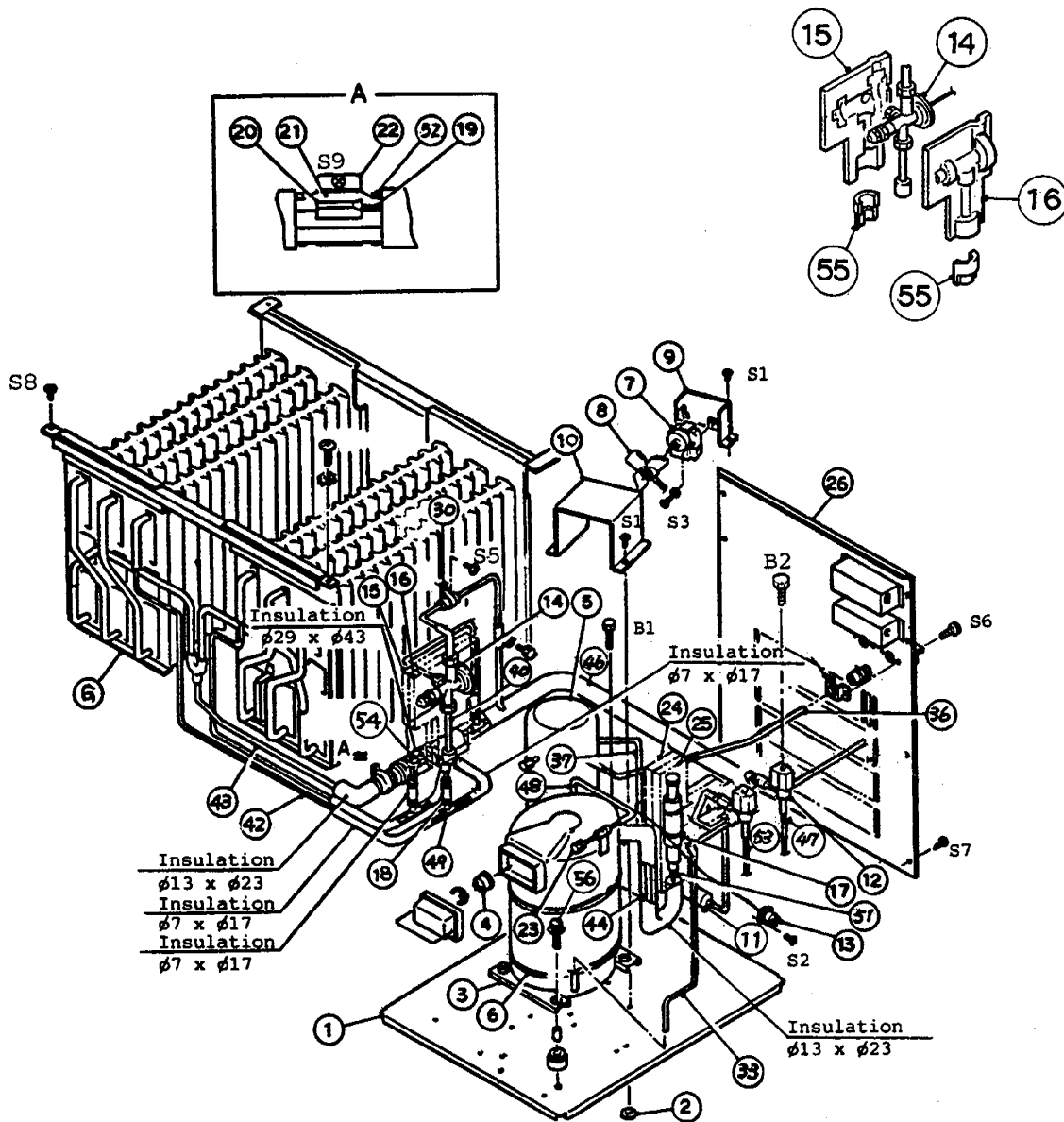
FASTENER

- S1 - TRUSS HEAD TAPPING SCREW, M4x8
- S2 - TRUSS HEAD TAPPING SCREW, M3x8
- S3 - TRUSS HEAD MACHINE SCREW, M4x25
- S5 - TRUSS HEAD MACHINE SCREW, STAINLESS, M4x12
- S6 - TRUSS HEAD MACHINE SCREW, M4x8
- S7 - PAN HEAD MACHINE SCREW, STAINLESS, M4x8
- S8 - PAN HEAD MACHINE SCREW, STAINLESS, M4x10
- B1 - HEXAGON HEAD BOLT, M8x12
- B2 - HEXAGON HEAD BOLT, STAINLESS, M4x8



FASTENER

- S1 - TRUSS HEAD TAPPING SCREW, M4x8
- S2 - TRUSS HEAD TAPPING SCREW, M3x8
- S3 - TRUSS HEAD MACHINE SCREW, M4x25
- S5 - TRUSS HEAD MACHINE SCREW, STAINLESS, M4x12
- S6 - TRUSS HEAD MACHINE SCREW, M4x8
- S7 - PAN HEAD MACHINE SCREW, STAINLESS, M4x8
- S8 - PAN HEAD MACHINE SCREW, STAINLESS, M4x10
- S9 - TRUSS HEAD TAPPING SCREW, STAINLESS, M4x12
- B1 - HEXAGON HEAD BOLT, M8x12
- B2 - HEXAGON HEAD BOLT, STAINLESS, M4x8



FASTENER

- S1 - TRUSS HEAD TAPPING SCREW, M4x8
- S2 - TRUSS HEAD TAPPING SCREW, M3x8
- S3 - TRUSS HEAD MACHINE SCREW, M4x25
- S5 - TRUSS HEAD MACHINE SCREW, STAINLESS, M4x12
- S6 - TRUSS HEAD MACHINE SCREW, M4x8
- S7 - PAN HEAD MACHINE SCREW, STAINLESS, M4x8
- S8 - PAN HEAD MACHINE SCREW, STAINLESS, M4x10
- S9 - TRUSS HEAD TAPPING SCREW, STAINLESS, M4x12
- B1 - HEXAGON HEAD BOLT, M8x12
- B2 - HEXAGON HEAD BOLT, STAINLESS, M4x8

HA

MODEL		TITLE						
KM-1201DSU		B. REFRIGERATION UNIT						
INDEX NO.	DESCRIPTION	MATERIAL OR MODEL NUMBER	PART NUMBER	REQ'D NUMBER				
				F-1	G-1	G-2	H-1	H-2
G	EVAPORATOR ASSEMBLY	-	103516A01	1	1	1	1	1
1	Chassis	G.S	318100G02	1	1	1	1	1
2	Washer	ABS	425842-01	3	3	3	3	3
3	Compressor	KL187JD-3U	2U0070-01	1	1	1	1	1
4	Overload	23S81	428653-01	1	1	1	1	1
5	Receiver Tank	G.S	209509-01	1	1	1	1	1
6	Crankcase Heater	CH-5700	428639-01	1	1	1	1	1
7	Fan Motor	MS-17ZJ-RJA6	3U0045-01	1	1	1	1	1
8	Fan Blade	ABS	414782-01	1	1	1	1	1
9	Bracket - Fan Motor	S.S	421643G01	1	1	1	1	1
10	Cover - Fan Blade	G.S	428584-01	1	1	1	1	1
11	Drier	DYN330HD	428632-01	1	1	1	1	1
12	Hot Gas Valve	ABS-25-1-HD-2	3U0033-01	2	2	2	2	2
13	Pressure Switch	PS-7 CUT OFF 25K	3U0069-04	1	1	1	1	1
14	Expansion Valve	BHX-45040	428633-01	1	1	1	1	1
15	Cover (A) - Expansion Valve	PE	428593-01	1	1	1	1	1
16	Cover (B) - Expansion Valve	PE	428593-02	1	1	1	1	1
17	Suction Pressure Regulator	SPR-1905DQ52	428634-01	1	1	1	1	1
18	Tie	CV-100	7920-0002	12	12	12	12	12
19	Thermistor	-	427062-01	1	1	1	1	1
20	Holder - Thermistor	Copper	427430-01	1	1	1	1	1
21	Insulation - Thermistor	PE	427441-01	1	1	1	1	1
22	Strap-Thermistor	S.S	427431-01	1	1	1	1	1
23	Access Valve	TCJ-2F15-HD	417366-01	1	1	1	1	1
24	Insulation (A) - SPR	PE	428592-01	1	1	1	1	1
25	Insulation (B) - SPR	PE	428592-02	1	1	1	1	1
26	Rear Panel	G.S	209484G01	1	1	1	1	1
27	Coupling (Male)	5782-6-6	426554-01	2	2	X		
28	Bracket - Tube	G.S	425507-01	2	2	X		
29	Distributor	MD001E001G01	428635-01	1	1	1	1	1
30	Clamp	NK-12N	418814-12	1	1	1	1	1
31	Tee - Fusible Plug	YWP-251-HD-1	421832-01	1	1	1	1	1
32	Fusible Plug	FUP-1105H12	4U0010-01	1	1	1	1	1

E

MODEL		TITLE					
KM-1201DSU		B. REFRIGERATION UNIT					
INDEX NO.	DESCRIPTION	MATERIAL OR MODEL NUMBER	PART NUMBER	REQ'D NUMBER			
				H-3	J-1	J-2	
G	EVAPORATOR ASSEMBLY	-	103516A01	1	1	1	
1	Chassis	G.S	318100G02	1	1	1	
2	Washer	ABS	425842-01	3	3	3	
3	Compressor	KL187JD-3U	2U0070-01	1	1	1	
4	Overload	23S81	428653-01	1	1	1	
5	Receiver Tank	G.S	209509-01	1	1	1	
6	Crankcase Heater	CH-5700	428639-01	1	1	1	
7	Fan Motor	MS-17ZJ-RJA6	3U0045-01	1	1	1	
8	Fan Blade	ABS	414782-01	1	1	1	
9	Bracket - Fan Motor	S.S	421643G01	1	1	1	
10	Cover - Fan Blade	G.S	428584-01	1	1	1	
11	Drier	DYN330HD	428632-01	1	1	1	
12	Hot Gas Valve	ABS-25-1-HD-2	3U0033-01	2	2	2	
13	Pressure Switch	PS-7 CUT OFF 25K	3U0069-04	1	1	1	
14	Expansion Valve	BHX-45040	428633-01	1	1	1	
15	Cover (A) - Expansion Valve	PE	428593-01	1	1	1	
16	Cover (B) - Expansion Valve	PE	428593-02	1	1	1	
17	Suction Pressure Regulator	SPR-1905DQ52	428634-01	1	1	1	
18	Tie	CV-100	7920-0002	12	12	12	
19	Thermistor	-	427062-01	1	1	1	
20	Holder - Thermistor	Copper	427430-01	1	1	1	
21	Insulation - Thermistor	PE	427441-01	1	1	1	
22	Strap-Thermistor	S.S	427431-01	1	1	⊗	
			4A0035-01			⊙	
23	Access Valve	TCJ-2F15-HD	417366-01	1	1	1	
24	Insulation (A) - SPR	PE	428592-01	1	1	1	
25	Insulation (B) - SPR	PE	428592-02	1	1	1	
26	Rear Panel	G.S	209484G01	1	1	1	
27	-	-	-	-	-	-	
28	-	-	-	-	-	-	
29	Distributor	MD001E001G01	428635-01	1	1	1	
30	Clamp	NK-12N	418814-12	1	1	1	
31	Tee - Fusible Plug	YWP-251-HD-1	421832-01	1	1	1	
32	Fusible Plug	FUP-1105H12	4U0010-01	1	1	1	

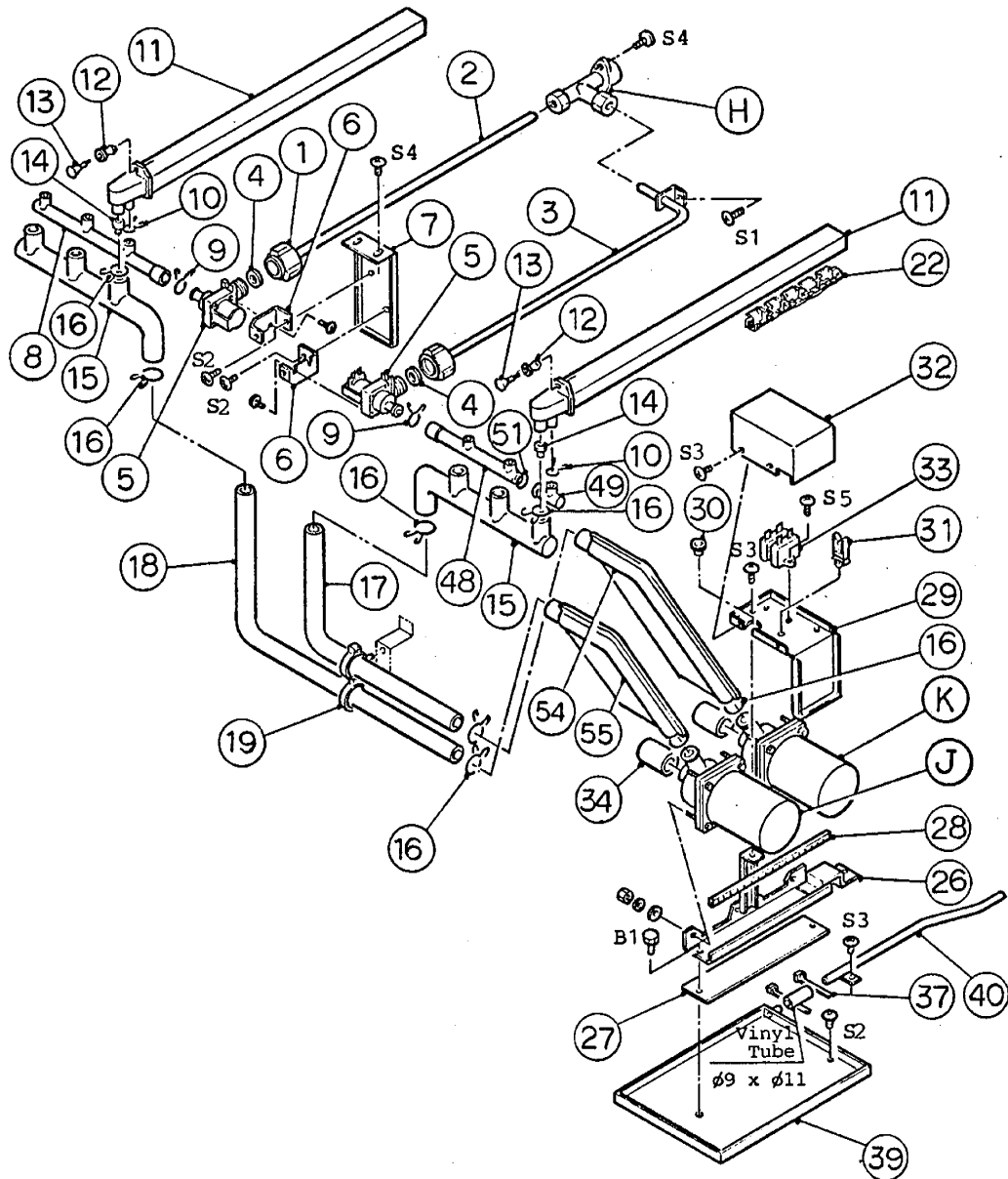
E

MODEL		TITLE						
KM-1201DSU		B. REFRIGERATION UNIT						
INDEX NO.	DESCRIPTION	MATERIAL OR MODEL NUMBER	PART NUMBER	REQ'D NUMBER				
				F-1	G-1	G-2	H-1	H-2
33	Pipe (A) - High Side	Copper	430860-01	1	1	X		
			211459G01			⓪	1	1
34	Pipe (B) - High Side	Copper	429469G01	1	1	X		
35	Pipe (C-1) - High Side	Copper	429470G01	1	-			
			429470-01		1	X		
36	Pipe (D) - High Side	Copper	429471G01	1	1	X		
			432882G01			⓪	1	1
37	Pipe (E) - High Side	Copper	429472-01	1	1	1	1	1
38	Pipe (K) - High Side	Copper	429361G01	1	1	X		
39	Pipe (L) - High Side	Copper	429362-01	1	1	X		
40	Pipe (A) - Low Side	Copper	429357-01	1	1	X		
			432879G01			⓪	1	1
41	Pipe (B) - Low Side	Copper	429358-01	2	2	X		
42	Pipe (C) - Low Side	Copper	429363-01	2	2	X		
			429363G01			⓪	2	2
43	Pipe (D) - Low Side	Copper	429344-01	1	1	X		
			429344G01			⓪	1	1
44	Pipe (E) - Low Side	Copper	429475-01	1	1	X		
			429475G01			⓪	1	1
45	Pipe (G) - Low Side	Copper	429347-01	1	1	X		
46	Heat Exchanger	Copper	429476G01	1	1	X		
			211457G01			⓪	1	1
47	Pipe - Hot Gas	Copper	429360-01	2	2	X		
			429360G01			⓪	1	1
48	Pipe	Copper	429359-01	1	1	1	1	1
49	Tee	Copper	417394-01	2	2	2	2	2
50	Tee	Copper	420041-10	1	1	X		
51	Reducer	Copper	420915-04	2	2	2	2	2
52	Tie	CV-150	7920-0003	5	5	5	5	5
53	Pipe - Hot Gas	Copper	429360G02	1	1	1	1	1

HA

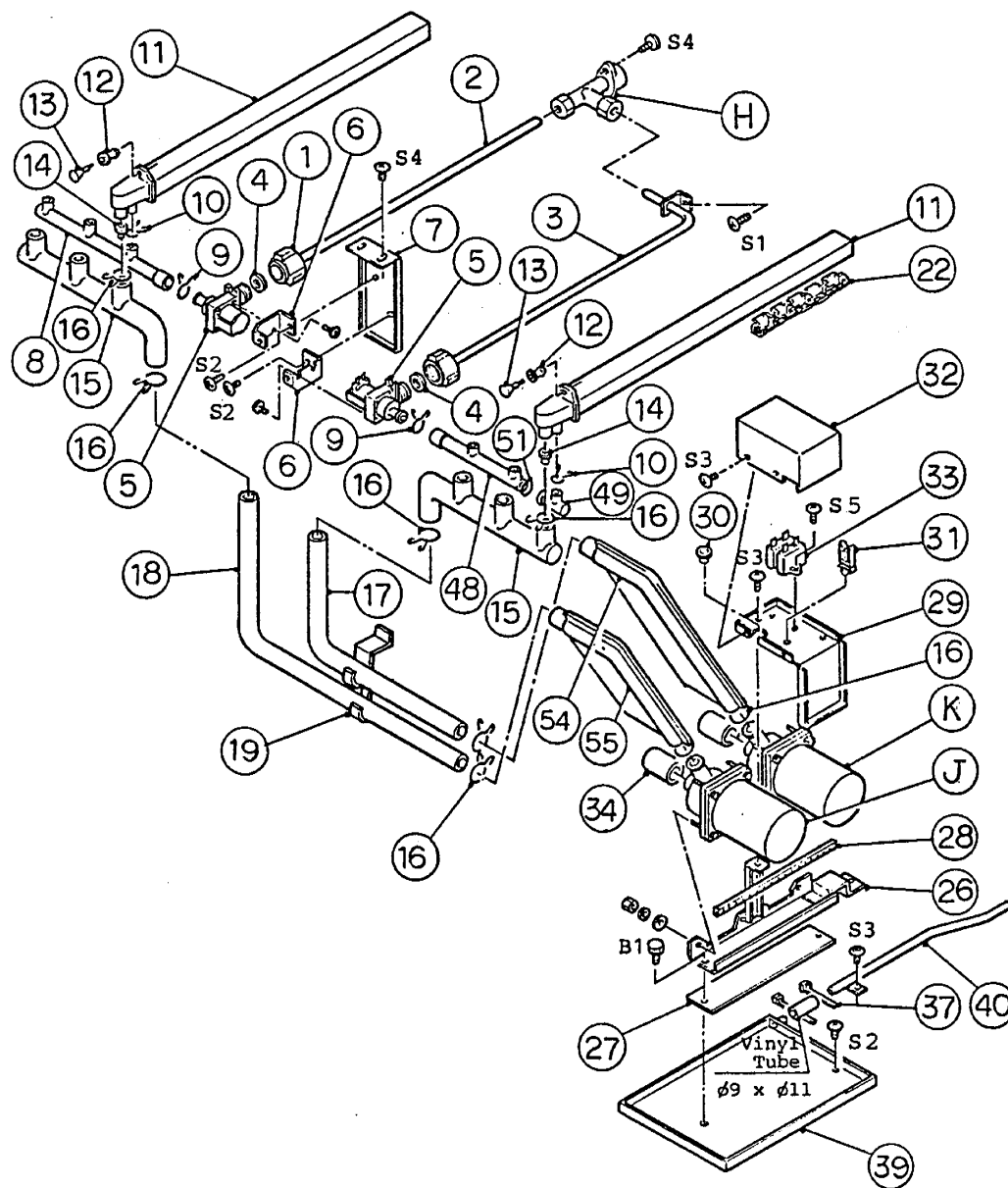
MODEL		TITLE					
KM-1201DSU		B. REFRIGERATION UNIT					
INDEX NO.	DESCRIPTION	MATERIAL OR MODEL NUMBER	PART NUMBER	REQ'D NUMBER			
				H-3	J-1	J-2	
33	Pipe (A) - High Side	Copper	211459G01	1	1	-	
			211459G02			1	
34	-	-	-	-			
35	-	-	-	-			
36	Pipe (D) - High Side	Copper	432882G01	1	1	1	
37	Pipe (E) - High Side	Copper	429472-01	1	1	1	
38	-	-	-	-			
39	-	-	-	-			
40	Pipe (A) - Low Side	Copper	432879G01	1	1	1	
41	-	-	-	-			
42	Pipe (C) - Low Side	Copper	429363G01	2	2	2	
43	Pipe (D) - Low Side	Copper	429344G01	1	1	1	
44	Pipe (E) - Low Side	Copper	429475G01	1	1	1	
45	-	-	-	-			
46	Heat Exchanger	Copper	211457G01	1	1	1	
47	Pipe - Hot Gas	Copper	429360G01	1	1	1	
48	Pipe	Copper	429359-01	1	1	1	
49	Tee	Copper	417394-01	2	2	X	
			436000-01			②	
50	-	-	-	-			
51	Reducer	Copper	420915-04	2	2	2	
52	Tie	CV-150	7920-0003	5	5	5	
53	Pipe - Hot Gas	Copper	429360G02	1	1	1	
54	Clamp	D11-S	435254-04	2	2	2	
55	Exp. Valve Cover (C)	PE	435051-01		2	2	
56	Bolt	-	437889-01			④	

E



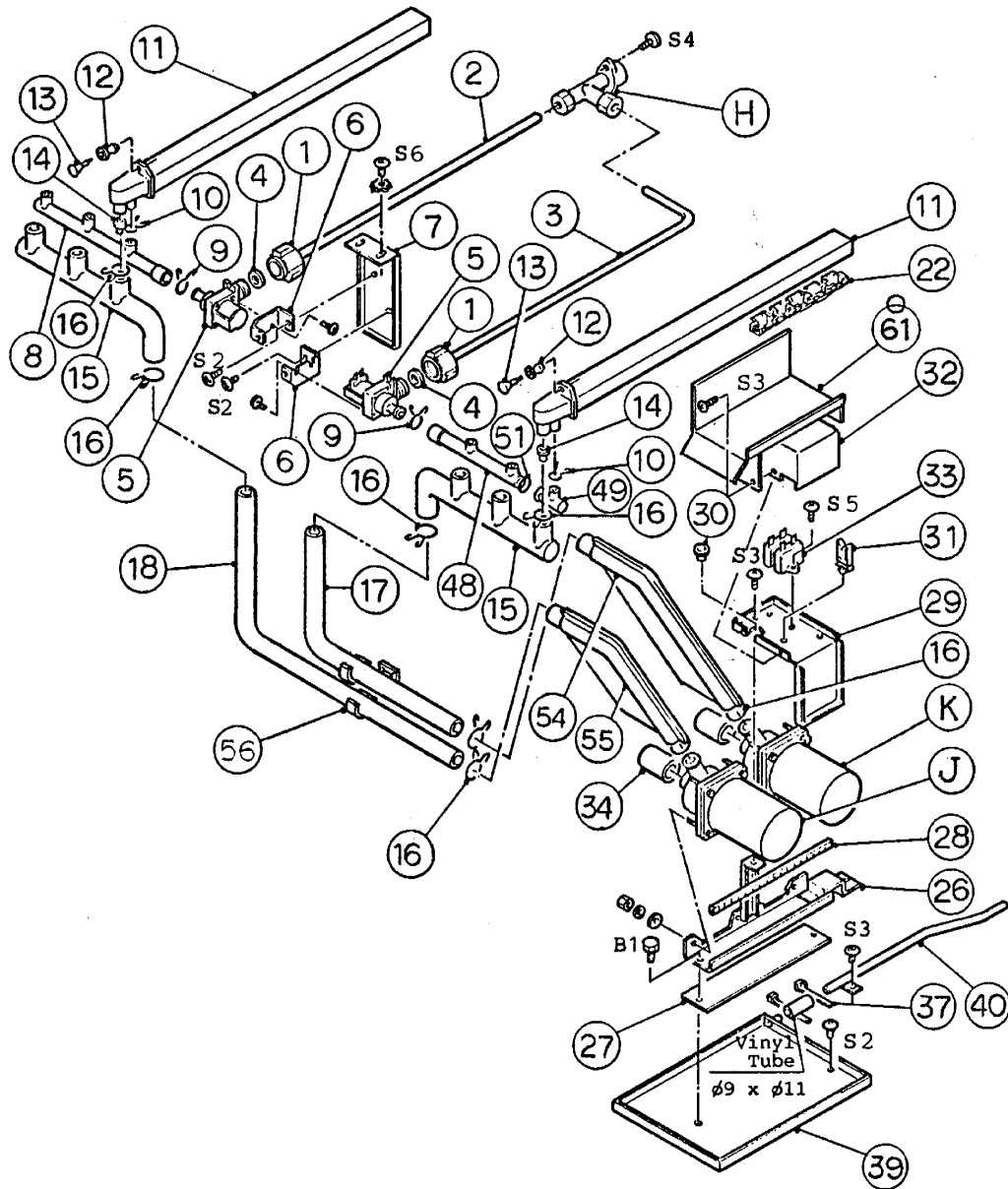
FASTENER

- S1 - TRUSS HEAD TAPPING SCREW, STAINLESS, M4x12
- S2 - TRUSS HEAD TAPPING SCREW, STAINLESS, M4x8
- S3 - TRUSS HEAD TAPPING SCREW, M4x8
- S4 - TRUSS HEAD MACHINE SCREW, STAINLESS, M4x8
- S5 - TRUSS HEAD TAPPING SCREW, M4x10
- B1 - HEXAGON HEAD BOLT, STAINLESS, M5x12



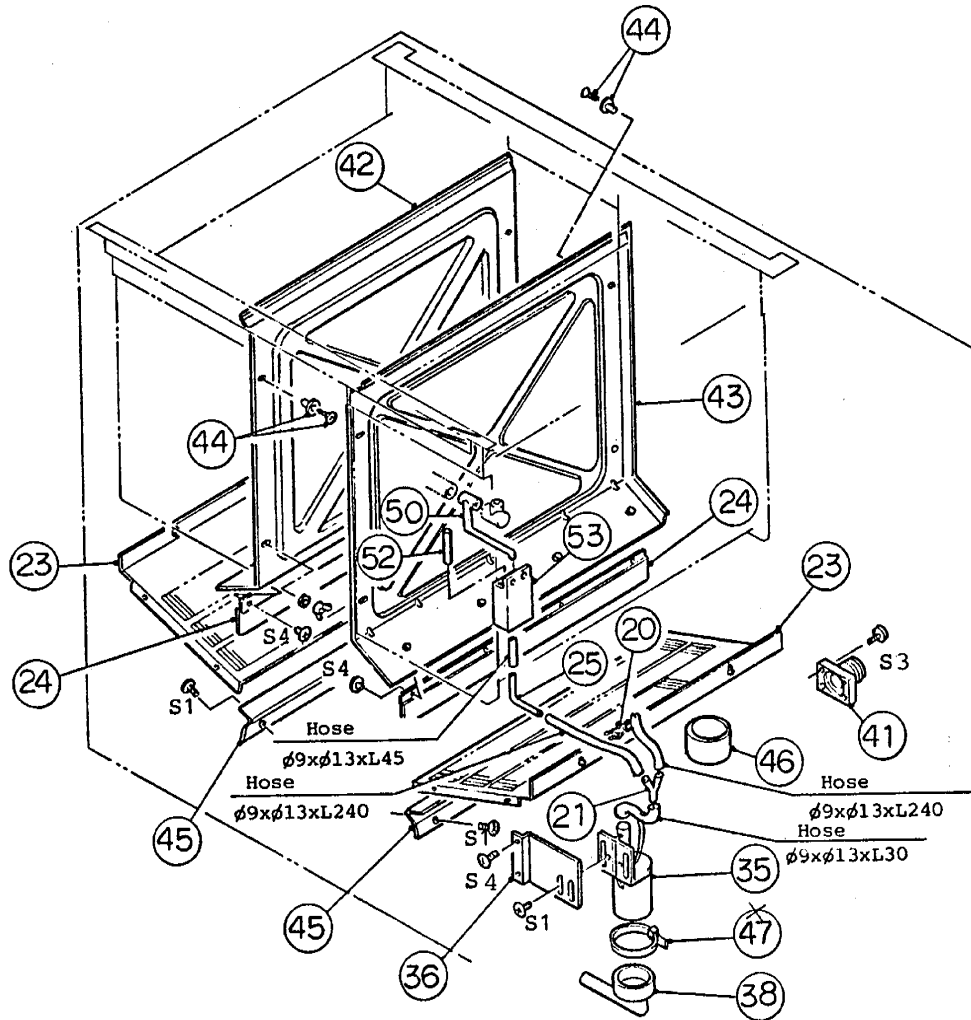
FASTENER

- S1 - TRUSS HEAD TAPPING SCREW, STAINLESS, M4x12
- S2 - TRUSS HEAD TAPPING SCREW, STAINLESS, M4x8
- S3 - TRUSS HEAD TAPPING SCREW, M4x8
- S4 - TRUSS HEAD MACHINE SCREW, STAINLESS, M4x8
- S5 - TRUSS HEAD TAPPING SCREW, STAINLESS, M5x12



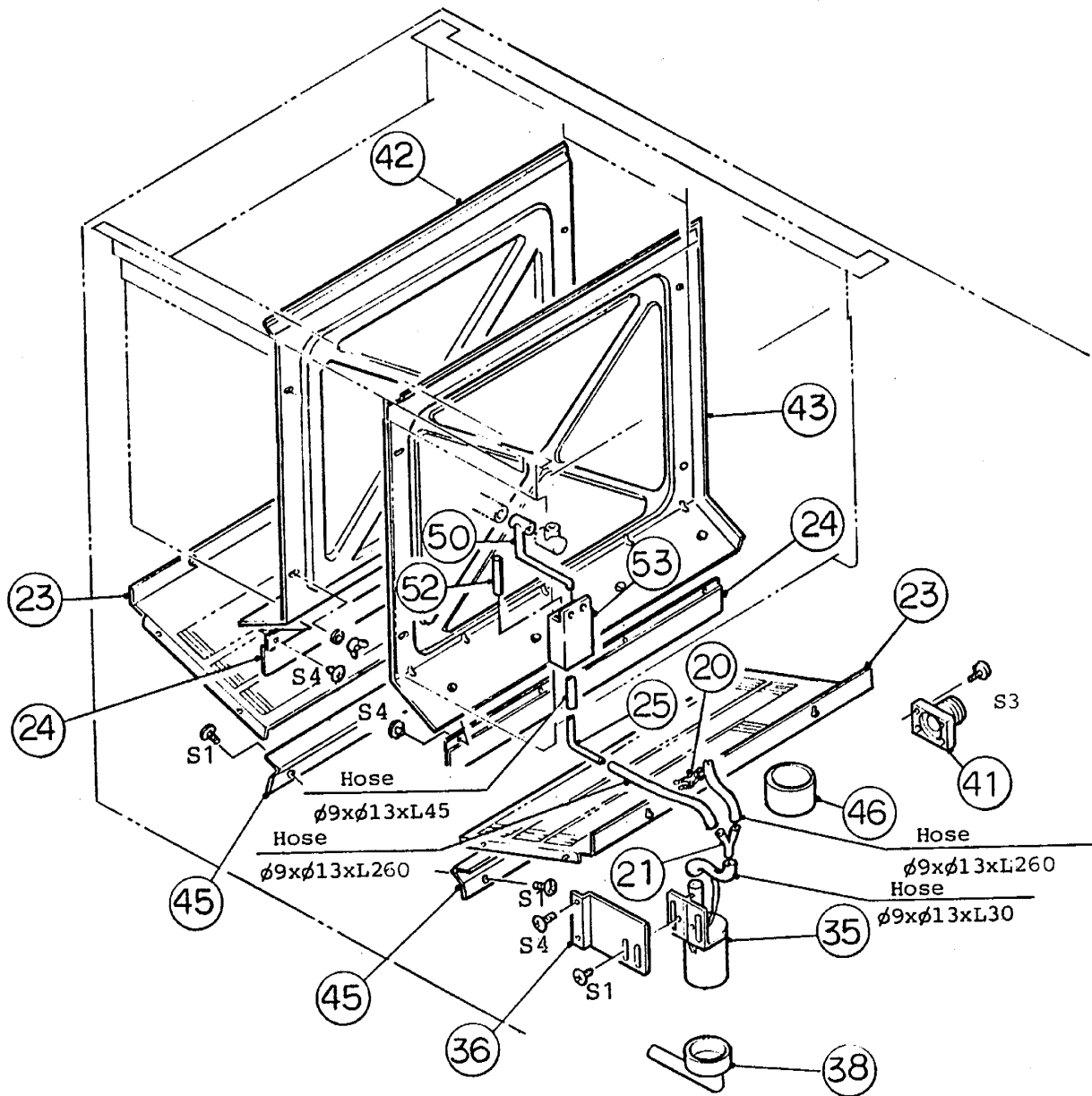
FASTENER

- S1 - TRUSS HEAD TAPPING SCREW, STAINLESS, M4x12
- S2 - TRUSS HEAD TAPPING SCREW, STAINLESS, M4x8
- S3 - TRUSS HEAD TAPPING SCREW, M4x8
- S4 - TRUSS HEAD MACHINE SCREW, STAINLESS, M4x8
- S5 - TRUSS HEAD TAPPING SCREW, STAINLESS, M5x12
- S6 - PAN HEAD MACHINE SCREW, STAINLESS, M4x8
- B1 - HEXAGON FLANGE BOLT, STAINLESS, M5x12



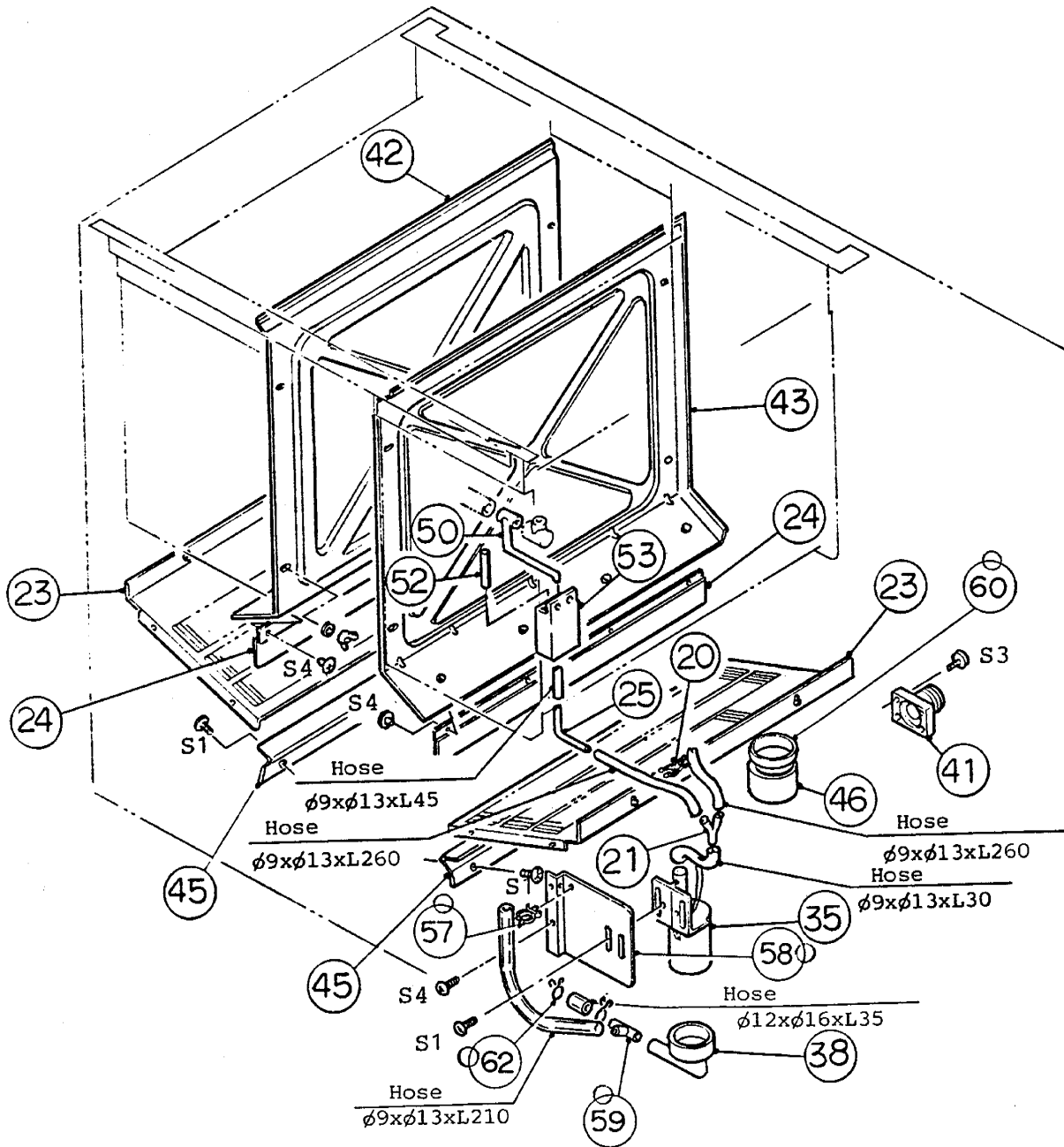
FASTENER

- S1 - TRUSS HEAD TAPPING SCREW, STAINLESS, M4x8
- S2 - TRUSS HEAD TAPPING SCREW, M4x8
- S3 - TRUSS HEAD MACHINE SCREW, M4x12
- S4 - TRUSS HEAD MACHINE SCREW, STAINLESS, M4x8



FASTENER

- S1 - TRUSS HEAD TAPPING SCREW, STAINLESS, M4x8
- S2 - TRUSS HEAD TAPPING SCREW, M4x8
- S3 - PAN HEAD MACHINE SCREW, STAINLESS, M4x12
- S4 - TRUSS HEAD MACHINE SCREW, STAINLESS, M4x8



FASTENER

- S1 - TRUSS HEAD TAPPING SCREW, STAINLESS, M4x8
- S2 - TRUSS HEAD TAPPING SCREW, M4x8
- S3 - PAN HEAD MACHINE SCREW, STAINLESS, M4x12
- S4 - TRUSS HEAD MACHINE SCREW, STAINLESS, M4x8

HA

MODEL		TITLE						
KM-1201DU, DWU		C. WATER CIRCUIT ASSEMBLY						
INDEX NO.	DESCRIPTION	MATERIAL OR MODEL NUMBER	PART NUMBER	REQ'D NUMBER				
				F-1	G-1	G-2	H-1	H-2
H	FITTING (S) ASSEMBLY	(S-0380)	314344A01	1	1	1	1	1
J	WATER PUMP (A) ASSEMBLY	(S-0455)	318145A01	1	1	1	1	1
K	WATER PUMP (B) ASSEMBLY	(S-0461)	318145A02	1	1	1	1	1
1	Fitting Nut	AC	426910-02	1	1	1	1	2
2	Pipe (A) - Water Supply	S.S	428577G01	1	1	1	1	-
			428577G02					1
3	Pipe (B) - Water Supply	S.S	318059G01	1	1	1	1	-
			318059G02					1
4	Rubber Gasket	NBR	413854-01	2	2	2	2	2
5	Water Valve	J246-379	3U0085-01	2	2	2	2	2
6	Bracket - Water Valve	S.S	428597-01	2	2	2	2	-
			428597-02					2
7	Bracket - Valve	S.S	318096-01	1	1	1	1	-
		G.S	318096-02					1
8	Hose - Water Supply	EPDM	428381-01	1	1	1	1	1
9	Hose Clamp	S.S, 16.5mm	427443-04	2	2	2	-	
		S.S, 18mm	427443-05				2	2
10	Hose Clamp	S.S, 12mm	427443-06	6	6	6	-	
		S.S, 13.5mm	427443-07				6	6
11	Spray Tube	ABS	426869G01	6	6	6	6	6
12	Grommet	H322-4-2	422300-03	6	6	6	6	6
13	Plunger	H323-4-5-2	422299-03	6	6	6	6	6
14	Nozzle	ABS	428418-01	6	6	6	6	6
15	Branch	EPDM	317924-01	2	2	2	2	2
16	Hose Clamp	S.S, 25mm	427443-03	12	12	12	-	
		S.S, 27mm	427443-08				12	12
17	Pipe (A)	ABS	428594-01	1	1	1	1	1
18	Pipe (B)	ABS	428594-02	1	1	1	1	1
19	Clamp	NO.1418	428644-01	2	2	✗		
		S.S	433066-01			①	1	-
20	Clamp	NO.872	430743-01	1	1	1	1	1
21	Connector	ABS	430737-01	1	1	✗		
			432763-01			①	1	1

E

HA

MODEL		TITLE					
KM-1201DU, DWU		C. WATER CIRCUIT ASSEMBLY					
INDEX NO.	DESCRIPTION	MATERIAL OR MODEL NUMBER	PART NUMBER	REQ'D NUMBER			
				H-3	J-1		
H	FITTING (S) ASSEMBLY	(S-0380)	314344A01	1	1		
J	WATER PUMP (A) ASSEMBLY	(S-0455)	318145A01	1	1		
K	WATER PUMP (B) ASSEMBLY	(S-0461)	318145A02	1	1		
1	Fitting Nut	AC	426910-02	2	2		
2	Pipe (A) - Water Supply	S.S	428577G02	1	1		
3	Pipe (B) - Water Supply	S.S	318059G02	1	1		
4	Rubber Gasket	NBR	413854-01	2	2		
5	Water Valve	J246-379	3U0085-01	2	2		
6	Bracket - Water Valve	S.S	428597-02	2	2		
7	Bracket - Valve	G.S	318096-02	1	1		
8	Hose - Water Supply	EPDM	428381-01	1	1		
9	Hose Clamp	S.S, 18mm	427443-05	2	2		
10	Hose Clamp	S.S, 13.5mm	427443-07	6	6		
11	Spray Tube	ABS	426869G01	6	6		
12	Grommet	H322-4-2	422300-03	6	6		
13	Plunger	H323-4-5-2	422299-03	6	6		
14	Nozzle	ABS	428418-01	6	6		
15	Branch	EPDM	317924-01	2	2		
16	Hose Clamp	S.S, 27mm	427443-08	12	12		
17	Pipe (A)	ABS	428594-01	1	1		
18	Pipe (B)	ABS	428594-02	1	1		
19	-	-	-	-	-		
20	Clamp	NO.872	430743-01	1	1		
21	Connector	ABS	432763-01	1	1		

E

MODEL		TITLE						
KM-1201DU, DWU		C. WATER CIRCUIT ASSEMBLY						
INDEX NO.	DESCRIPTION	MATERIAL OR MODEL NUMBER	PART NUMBER	REQ'D NUMBER				
				F-1	G-1	G-2	H-1	H-2
22	Spray Guide (A)	PE	208586-01	18	18	18	18	18
23	Guide - Cube	S.S	318085G01	2	2	2	2	2
24	Curtain	PE	428416G01	2	2	2	2	2
25	Pipe (C)	ABS	430740-01	1	1	1	1	1
26	Bracket - Pump Motor	S.S	428559G01	1	1	1	1	1
27	Packing	Neoprene Rubber	428589-01	1	1	1	1	1
28	Bushing	KG-024	414116-30	1	1	1	1	1
29	Bracket - Capacitor	G.S	318124-01	1	1	1	1	1
30	Bushing	OCB-750	428394-01	1	1	1	1	1
31	Wire Saddle	LWS-3NS	428060-02	1	-			
		WS-2NS	427007-02		1	1	1	1
32	Cover - Capacitor	G.S	428655-01	1	1	1	1	1
33	Capacitor - Pump Motor	5 μ F, 230V	428641-01	2	2	2	2	2
34	Hose - Pump Suction	EPDM	428417-01	2	2	2	2	2
35	Float Switch	FS-0893A-1	430417-01	1	1	1	1	1
36	Bracket - Float Switch	S.S	428586-01	1	1	1	1	1
37	Tie	CV-70	7920-0001	3	3	3	3	3
38	Connector - Float Switch	EPDM	426799-01	1	1	1	1	1
39	Drain Pan	S.S	319642G01	1	1	1	1	1
40	Pipe - Drain	S.S	318057G01	1	1	1	1	1
41	Pipe - Drain	ABS	317938-01	1	1	1	1	1
42	Separator (Left)	ABS	318101G01	1	1	1	1	1
43	Separator (Right)	ABS	318098G01	1	1	1	1	1
44	Rivet	NO.3976	428642-01	6	6	6	-	
45	Reflector	S.S	318136-01	2	2	2	2	2
46	Hose	EPDM	429044-01	1	1	1	1	1
47	Clamp	NO.5085	429297-01	1	-			
48	Hose (A) - Water Supply	EPDM	430738-01	1	1	1	1	1
49	Hose (B) - Water Supply	EPDM	430739-01	1	1	1	1	1
50	Pipe - Branch	ABS	430741G01	1	1	1	1	1
51	Hose Clamp	S.S, 13.5mm	427443-07	2	2	2	-	
		S.S, 16.5mm	427443-04				2	2
52	Cap	ABS	430725-01	1	1	1	1	1
53	Flash Tank	ABS	319639-01	1	1	1	1	1

HA

MODEL		TITLE					
KM-1201DU, DWU		C. WATER CIRCUIT ASSEMBLY					
INDEX NO.	DESCRIPTION	MATERIAL OR MODEL NUMBER	PART NUMBER	REQ'D NUMBER			
				H-3	J-1		
22	Spray Guide (A)	PE	208586-01	18	18		
23	Guide - Cube	S.S	318085G01	2	2		
24	Curtain	PE	428416G01	2	2		
25	Pipe (C)	ABS	430740-01	1	1		
26	Bracket - Pump Motor	S.S	428559G01	1	1		
27	Packing	Neoprene Rubber	428589-01	1	1		
28	Bushing	KG-024	414116-30	1	1		
29	Bracket - Capacitor	G.S	318124-01	1	1		
30	Bushing	OCB-750	428394-01	1	1		
31	Wire Saddle	WS-2NS	427007-02	1	1		
32	Cover - Capacitor	G.S	428655-01	1	1		
33	Capacitor - Pump Motor	5 μ F, 230V	428641-01	2	2		
34	Hose - Pump Suction	EPDM	428417-01	2	2		
35	Float Switch	FS-0893A-1	430417-01	1	1		
36	-	-	-	-	-		
37	Tie	CV-70	7920-0001	3	3		
38	Connector - Float Switch	EPDM	426799-01	-	-		
			426799-03	1	1		
39	Drain Pan	S.S	319642G01	1	1		
40	Pipe - Drain	S.S	318057G01	1	1		
41	Pipe - Drain	ABS	317938-01	1	1		
42	Separator (Left)	ABS	318101G01	1	1		
43	Separator (Right)	ABS	318098G01	1	1		
44	-	-	-	-	-		
45	Reflector	S.S	318136-01	2	2		
46	Hose	EPDM	429044-01	1	1		
47	-	-	-	-	-		
48	Hose (A) - Water Supply	EPDM	430738-01	1	1		
49	Hose (B) - Water Supply	EPDM	430739-01	1	1		
50	Pipe - Branch	ABS	430741G01	1	1		
51	Hose Clamp	S.S, 16.5mm	427443-04	2	2		
52	Cap	ABS	430725-01	1	1		
53	Flash Tank	ABS	319639-01	1	1		

E

HA

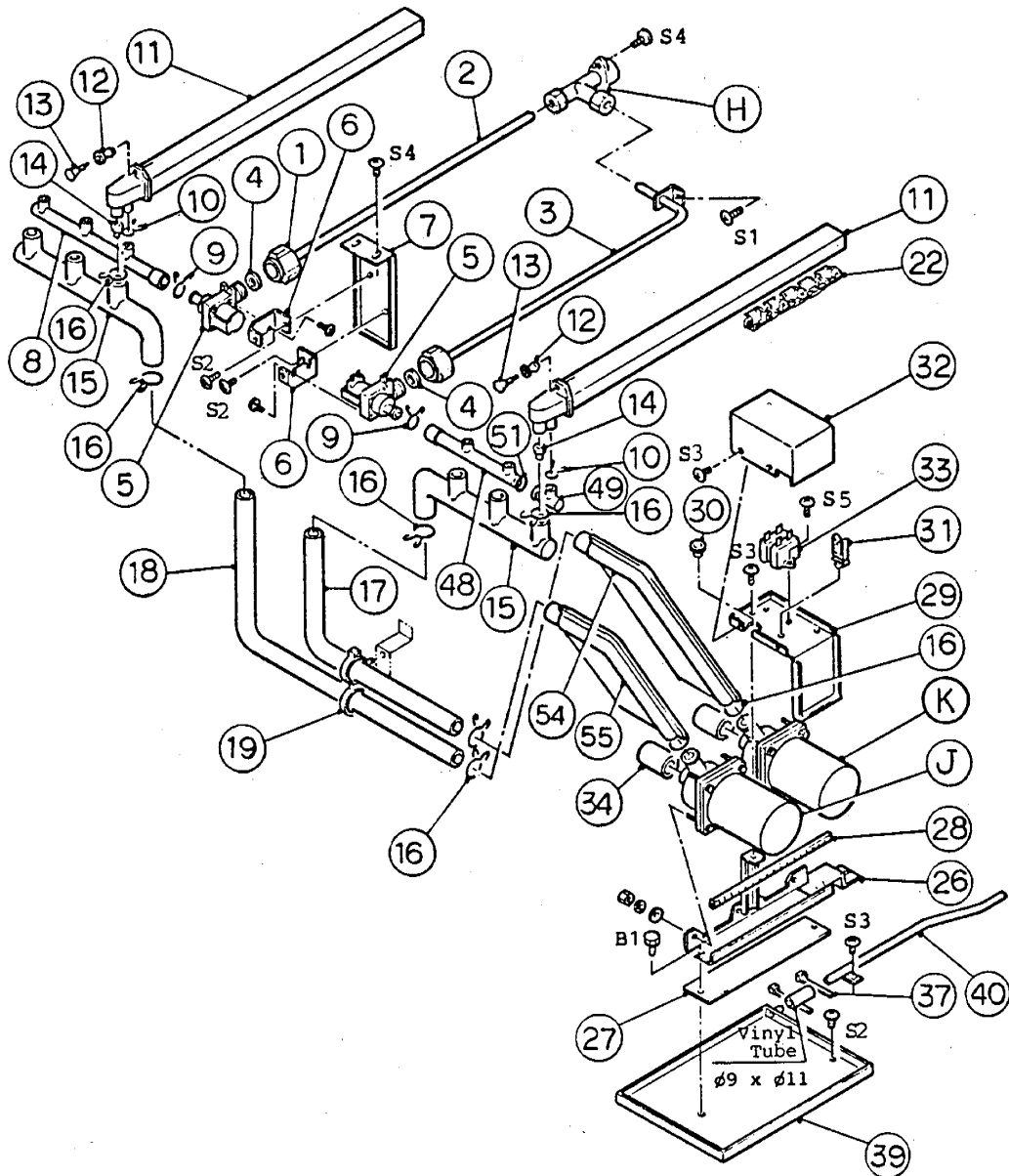
MODEL		TITLE						
KM-1201DU, DWU		C. WATER CIRCUIT ASSEMBLY						
INDEX NO.	DESCRIPTION	MATERIAL OR MODEL NUMBER	PART NUMBER	REQ'D NUMBER				
				F-1	G-1	G-2	H-1	H-2
54	Tube (A) - Insulated	EPDM	430214G01	1	1	1	1	1
55	Tube (B) - Insulated	EPDM	430214G02	1	1	1	1	1
56	Holder	PP	321976-01					1

E

HA

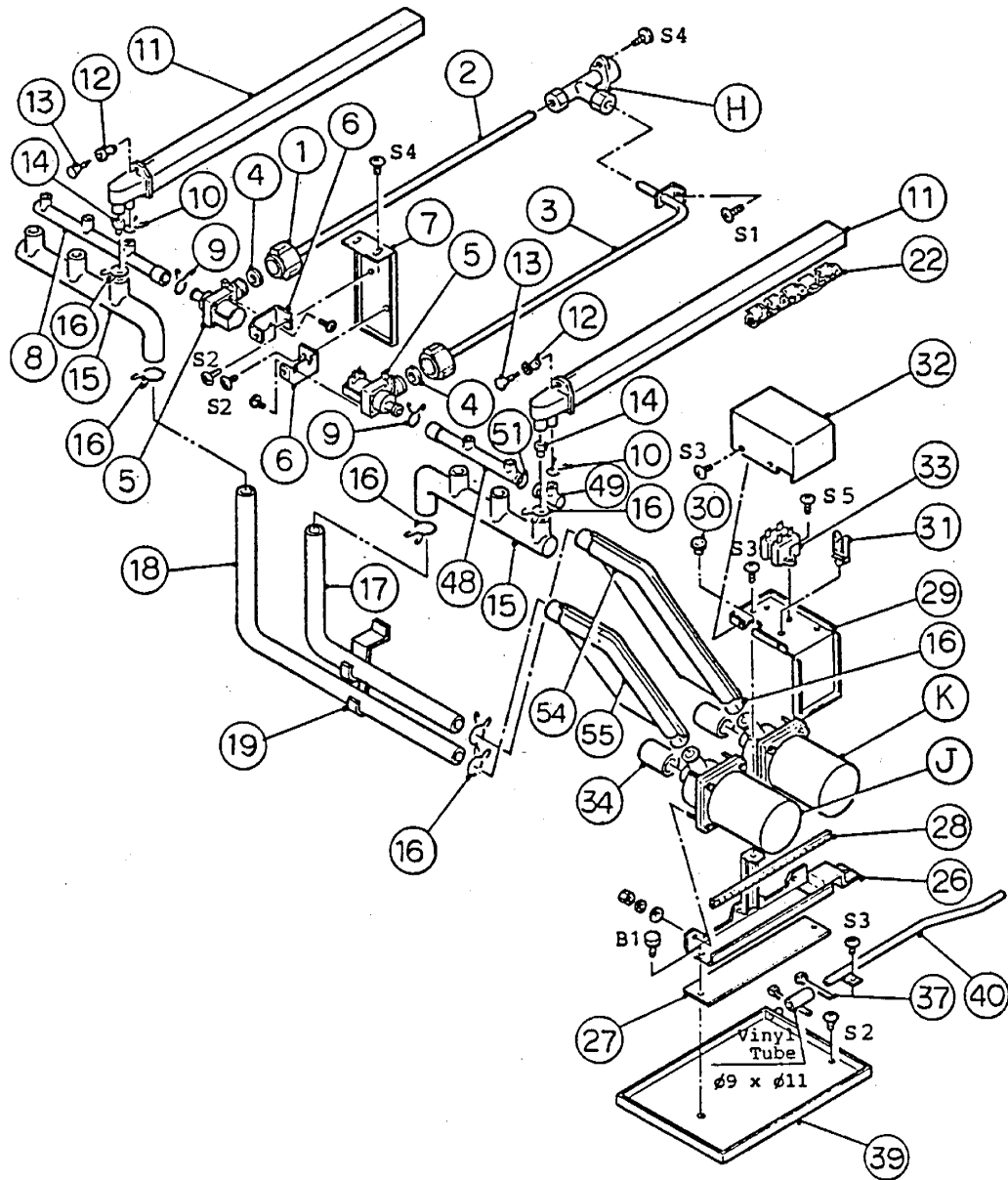
MODEL		TITLE					
KM-1201DU, DWU		C. WATER CIRCUIT ASSEMBLY					
INDEX NO.	DESCRIPTION	MATERIAL OR MODEL NUMBER	PART NUMBER	REQ'D NUMBER			
				H-3	J-1		
54	Tube (A) - Insulated	EPDM	430214G01	1	1		
55	Tube (B) - Insulated	EPDM	430214G02	1	1		
56	Holder	PP	321976-01	1	1		
57	Clamp	No. 4253	427902-05	1	1		
58	Float SW Bracket	S.S	435104-01	1	1		
59	Tee (A)	ABS	434943G01	1	1		
60	Ring 16	Acryl	434944-01	1	1		
	Ring 18		434944-02				
	Ring 20		434944-03				
	Ring 22		434944-04				
	Ring 24		434944-05				
61	Cover - Pump		3A0030G01		1		
62	Hose Clamp	S.S	427443-02		②		

E



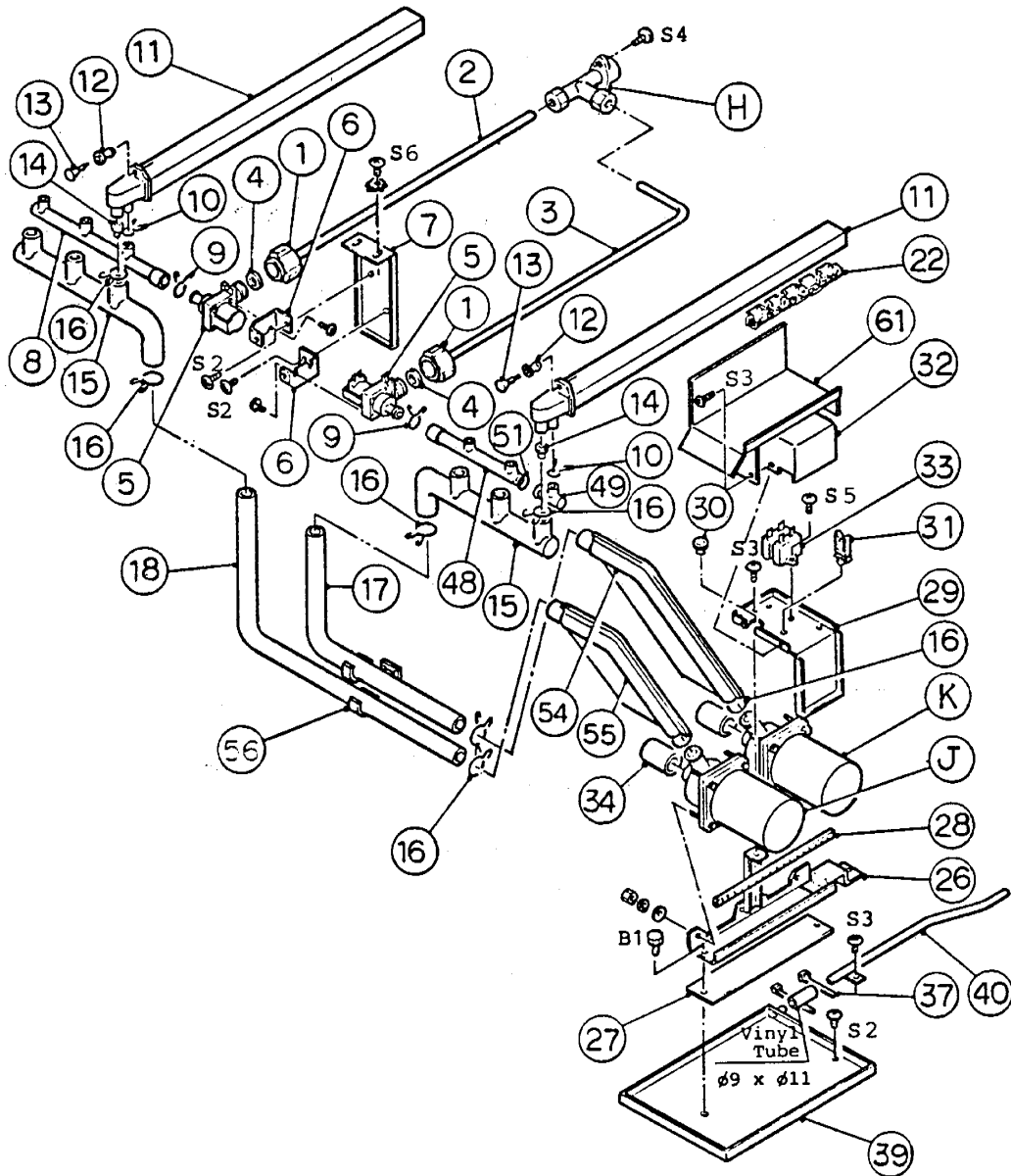
FASTENER

- S1 - TRUSS HEAD TAPPING SCREW, STAINLESS, M4x12
- S2 - TRUSS HEAD TAPPING SCREW, STAINLESS, M4x8
- S3 - TRUSS HEAD TAPPING SCREW, M4x8
- S4 - TRUSS HEAD MACHINE SCREW, STAINLESS, M4x8
- S5 - TRUSS HEAD TAPPING SCREW, M4x10
- B1 - HEXAGON HEAD BOLT, STAINLESS, M5x12



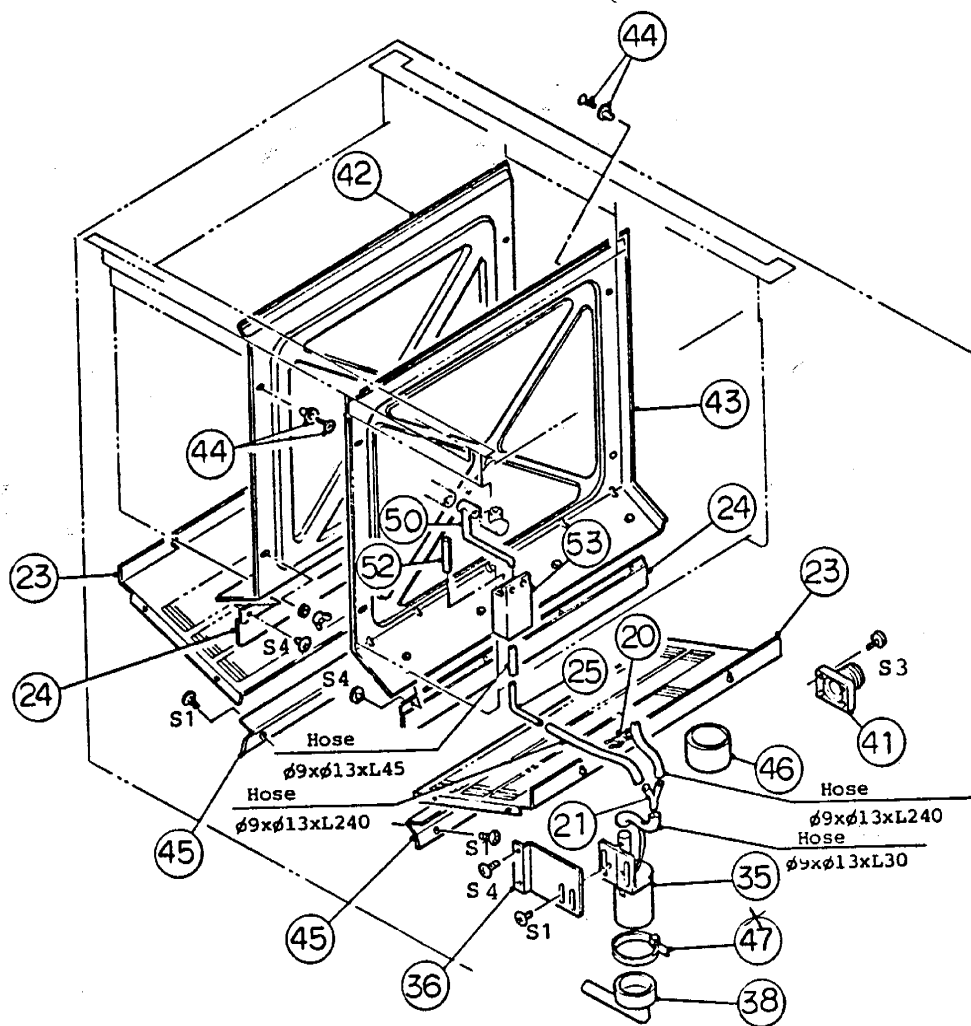
FASTENER

- S1 - TRUSS HEAD TAPPING SCREW, STAINLESS, M4x12
 S2 - TRUSS HEAD TAPPING SCREW, STAINLESS, M4x8
 S3 - TRUSS HEAD TAPPING SCREW, M4x8
 S4 - TRUSS HEAD MACHINE SCREW, STAINLESS, M4x8
 S5 - TRUSS HEAD TAPPING SCREW, STAINLESS, M5x12



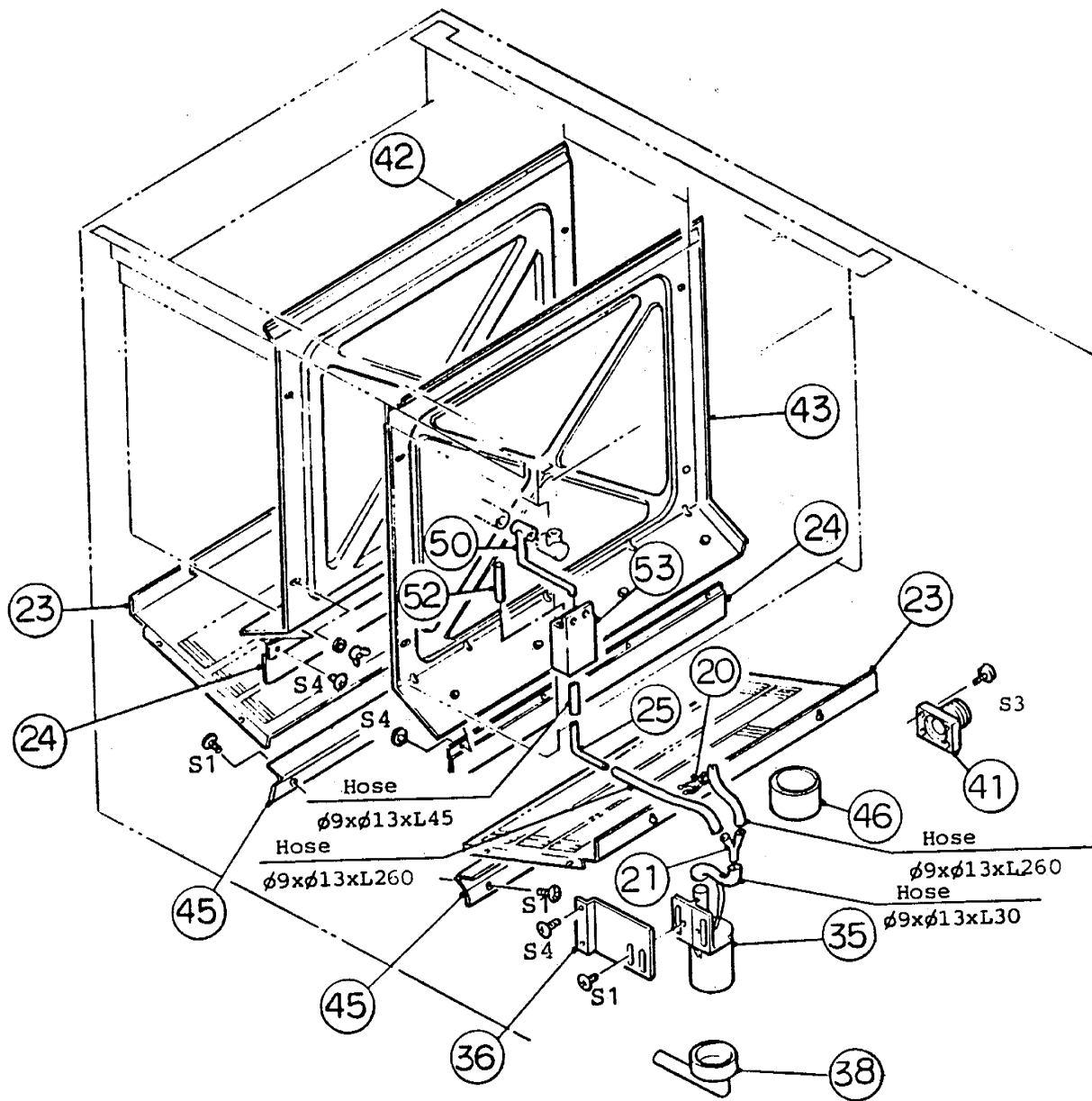
FASTENER

- S1 - TRUSS HEAD TAPPING SCREW, STAINLESS, M4x12
 S2 - TRUSS HEAD TAPPING SCREW, STAINLESS, M4x8
 S3 - TRUSS HEAD TAPPING SCREW, M4x8
 S4 - TRUSS HEAD MACHINE SCREW, STAINLESS, M4x8
 S5 - TRUSS HEAD TAPPING SCREW, STAINLESS, M5x12
 S6 - PAN HEAD MACHINE SCREW, STAINLESS, M4x8
 B1 - HEXAGON FLANGE BOLT, STAINLESS, M5x12



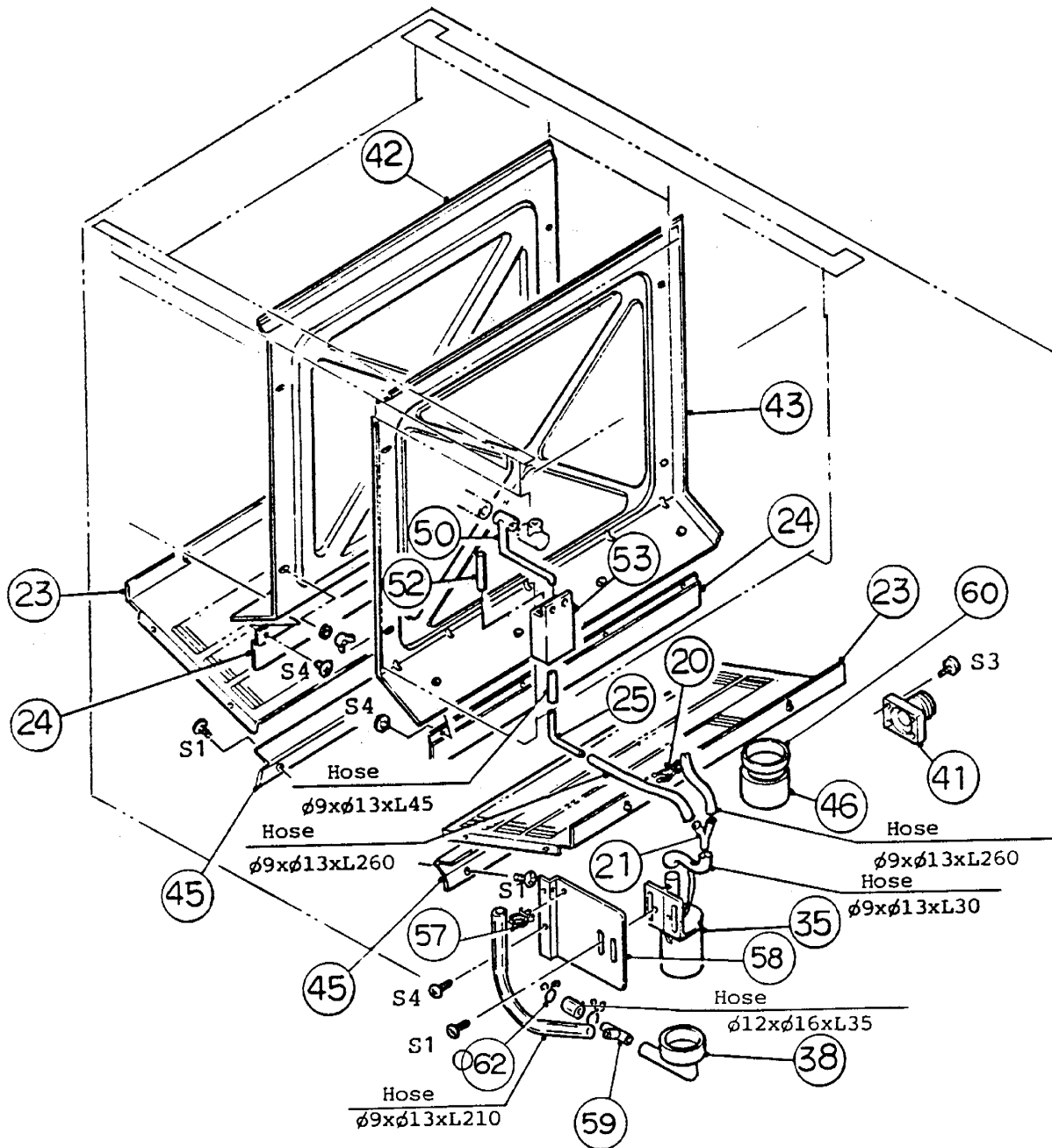
FASTENER

- S1 - TRUSS HEAD TAPPING SCREW, STAINLESS, M4x8
- S2 - TRUSS HEAD TAPPING SCREW, M4x8
- S3 - TRUSS HEAD MACHINE SCREW, M4x12
- S4- TRUSS HEAD MACHINE SCREW, STAINLESS, M4x8



FASTENER

- S1 - TRUSS HEAD TAPPING SCREW, STAINLESS, M4x8
- S2 - TRUSS HEAD TAPPING SCREW, M4x8
- S3 - PAN HEAD MACHINE SCREW, STAINLESS, M4x12
- S4 - TRUSS HEAD MACHINE SCREW, STAINLESS, M4x8



FASTENER

- S1 - TRUSS HEAD TAPPING SCREW, STAINLESS, M4x8
- S2 - TRUSS HEAD TAPPING SCREW, M4x8
- S3 - PAN HEAD MACHINE SCREW, STAINLESS, M4x12
- S4 - TRUSS HEAD MACHINE SCREW, STAINLESS, M4x8

HA

MODEL		TITLE						
KM-1201DSU		C. WATER CIRCUIT ASSEMBLY						
INDEX NO.	DESCRIPTION	MATERIAL OR MODEL NUMBER	PART NUMBER	REQ'D NUMBER				
				F-1	G-1	G-2	H-1	H-2
H	FITTING (S) ASSEMBLY	(S-0380)	314344A01	1	1	1	1	1
J	WATER PUMP (A) ASSEMBLY	(S-0455)	318145A01	1	1	1	1	1
K	WATER PUMP (B) ASSEMBLY	(S-0461)	318145A02	1	1	1	1	1
1	Fitting Nut	AC	426910-02	1	1	1	1	2
2	Pipe (A) - Water Supply	S.S	428577G01	1	1	1	1	-
			428577G02					1
3	Pipe (B) - Water Supply	S.S	318059G01	1	1	1	1	-
			318059G02					1
4	Rubber Gasket	NBR	413854-01	2	2	2	2	2
5	Water Valve	J246-379	3U0085-01	2	2	2	2	2
6	Bracket - Water Valve	S.S	428597-01	2	2	2	2	-
			428597-02					2
7	Bracket - Valve	S.S	318096-01	1	1	1	1	-
		G.S	318096-02					1
8	Hose - Water Supply	EPDM	428381-01	1	1	1	1	1
9	Hose Clamp	S.S, 16.5mm	427443-04	2	2	2	-	
		S.S, 18mm	427443-05				2	2
10	Hose Clamp	S.S, 12mm	427443-06	6	6	6	-	
		S.S, 13.5mm	427443-07				6	6
11	Spray Tube	ABS	426869G01	6	6	6	6	6
12	Grommet	H322-4-2	422300-03	6	6	6	6	6
13	Plunger	H323-4-5-2	422299-03	6	6	6	6	6
14	Nozzle	ABS	428418-01	6	6	6	6	6
15	Branch	EPDM	317924-01	2	2	2	2	2
16	Hose Clamp	S.S, 25mm	427443-03	12	12	12	-	
		S.S, 27mm	427443-08				12	12
17	Pipe (A)	ABS	428594-01	1	1	1	1	1
18	Pipe (B)	ABS	428594-02	1	1	1	1	1
19	Clamp	NO.1418	428644-01	2	2	⊗		
		S.S	433066-01			①	1	-
20	Clamp	NO.872	430743-01	1	1	1	1	1
21	Connector	ABS	430737-01	1	1	⊗		
			432763-01			①	1	1

E

HA

MODEL		TITLE						
KM-1201DSU		C. WATER CIRCUIT ASSEMBLY						
INDEX NO.	DESCRIPTION	MATERIAL OR MODEL NUMBER	PART NUMBER	REQ'D NUMBER				
				H-3	J-1	J-2		
H	FITTING (S) ASSEMBLY	(S-0380)	314344A01	1	1	1		
J	WATER PUMP (A) ASSEMBLY	(S-0455)	318145A01	1	1	1		
K	WATER PUMP (B) ASSEMBLY	(S-0461)	318145A02	1	1	1		
1	Fitting Nut	AC	426910-02	2	2	2		
2	Pipe (A) - Water Supply	S.S	428577G02	1	1	1		
3	Pipe (B) - Water Supply	S.S	318059G02	1	1	1		
4	Rubber Gasket	NBR	413854-01	2	2	2		
5	Water Valve	J246-379	3U0085-01	2	2	2		
6	Bracket - Water Valve	S.S	428597-02	2	2	2		
7	Bracket - Valve	G.S	318096-02	1	1	1		
8	Hose - Water Supply	EPDM	428381-01	1	1	1		
9	Hose Clamp	S.S, 18mm	427443-05	2	2	2		
10	Hose Clamp	S.S, 13.5mm	427443-07	6	6	6		
11	Spray Tube	ABS	426869G01	6	6	6		
12	Grommet	H322-4-2	422300-03	6	6	6		
13	Plunger	H323-4-5-2	422299-03	6	6	6		
14	Nozzle	ABS	428418-01	6	6	6		
15	Branch	EPDM	317924-01	2	2	2		
16	Hose Clamp	S.S, 27mm	427443-08	12	12	12		
17	Pipe (A)	ABS	428594-01	1	1	1		
18	Pipe (B)	ABS	428594-02	1	1	1		
19	-	-	-	-	-	-		
20	Clamp	NO.872	430743-01	1	1	1		
21	Connector	ABS	432763-01	1	1	1		

E

HA

MODEL		TITLE						
KM-1201DSU		C. WATER CIRCUIT ASSEMBLY						
INDEX NO.	DESCRIPTION	MATERIAL OR MODEL NUMBER	PART NUMBER	REQ'D NUMBER				
				F-1	G-1	G-2	H-1	H-2
22	Spray Guide (A)	PE	208586-01	18	18	18	18	18
23	Guide - Cube	S.S	318085G01	2	2	2	2	2
24	Curtain	PE	428416G01	2	2	2	2	2
25	Pipe (C)	ABS	430740-01	1	1	1	1	1
26	Bracket - Pump Motor	S.S	428559G01	1	1	1	1	1
27	Packing	Neoprene Rubber	428589-01	1	1	1	1	1
28	Bushing	KG-024	414116-30	1	1	1	1	1
29	Bracket - Capacitor	G.S	318124-01	1	1	1	1	1
30	Bushing	OCB-750	428394-01	1	1	1	1	1
31	Wire Saddle	LWS-3NS	428060-02	1	-			
		WS-2NS	427007-02		1	1	1	1
32	Cover - Capacitor	G.S	428655-01	1	1	1	1	1
33	Capacitor - Pump Motor	5 μ F, 230V	428641-01	2	2	2	2	2
34	Hose - Pump Suction	EPDM	428417-01	2	2	2	2	2
35	Float Switch	FS-0893A-1	430417-01	1	1	1	1	1
36	Bracket - Float Switch	S.S	428586-01	1	1	1	1	1
37	Tie	CV-70	7920-0001	3	3	3	3	3
38	Connector - Float Switch	EPDM	426799-01	1	1	1	1	1
39	Drain Pan	S.S	319642G01	1	1	1	1	1
40	Pipe - Drain	S.S	318057G01	1	1	1	1	1
41	Pipe - Drain	ABS	317938-01	1	1	1	1	1
42	Separator (Left)	ABS	318101G01	1	1	1	1	1
43	Separator (Right)	ABS	318098G01	1	1	1	1	1
44	Rivet	NO.3976	428642-01	6	6	6	-	
45	Reflector	S.S	318136-01	2	2	2	2	2
46	Hose	EPDM	429044-01	1	1	1	1	1
47	Clamp	NO.5085	429297-01	1	-			
48	Hose (A) - Water Supply	EPDM	430738-01	1	1	1	1	1
49	Hose (B) - Water Supply	EPDM	430739-01	1	1	1	1	1
50	Pipe - Branch	ABS	430741G01	1	1	1	1	1
51	Hose Clamp	S.S, 13.5mm	427443-07	2	2	2	-	
		S.S, 16.5mm	427443-04				2	2
52	Cap	ABS	430725-01	1	1	1	1	1
53	Flash Tank	ABS	319639-01	1	1	1	1	1

E

HA

MODEL		TITLE					
KM-1201DSU		C. WATER CIRCUIT ASSEMBLY					
INDEX NO.	DESCRIPTION	MATERIAL OR MODEL NUMBER	PART NUMBER	REQ'D NUMBER			
				H-3	J-1	J-2	
22	Spray Guide (A)	PE	208586-01	18	18	18	
23	Guide - Cube	S.S	318085G01	2	2	2	
24	Curtain	PE	428416G01	2	2	2	
25	Pipe (C)	ABS	430740-01	1	1	1	
26	Bracket - Pump Motor	S.S	428559G01	1	1	1	
27	Packing	Neoprene Rubber	428589-01	1	1	1	
28	Bushing	KG-024	414116-30	1	1	1	
29	Bracket - Capacitor	G.S	318124-01	1	1	1	
30	Bushing	OCB-750	428394-01	1	1	1	
31	Wire Saddle	WS-2NS	427007-02	1	1	1	
32	Cover - Capacitor	G.S	428655-01	1	1	1	
33	Capacitor - Pump Motor	5 μ F, 230V	428641-01	2	2	2	
34	Hose - Pump Suction	EPDM	428417-01	2	2	2	
35	Float Switch	FS-0893A-1	430417-01	1	1	1	
36	-	-	-	-	-	-	
37	Tie	CV-70	7920-0001	3	3	3	
38	Connector - Float Switch	EPDM	426799-01	-	-	-	
			426799-03	1	1	1	
39	Drain Pan	S.S	319642G01	1	1	1	
40	Pipe - Drain	S.S	318057G01	1	1	1	
41	Pipe - Drain	ABS	317938-01	1	1	1	
42	Separator (Left)	ABS	318101G01	1	1	1	
43	Separator (Right)	ABS	318098G01	1	1	1	
44	-	-	-	-	-	-	
45	Reflector	S.S	318136-01	2	2	2	
46	Hose	EPDM	429044-01	1	1	1	
47	-	-	-	-	-	-	
48	Hose (A) - Water Supply	EPDM	430738-01	1	1	1	
49	Hose (B) - Water Supply	EPDM	430739-01	1	1	1	
50	Pipe - Branch	ABS	430741G01	1	1	1	
51	Hose Clamp	S.S, 16.5mm	427443-04	2	2	2	
52	Cap	ABS	430725-01	1	1	1	
53	Flash Tank	ABS	319639-01	1	1	1	

E

HA

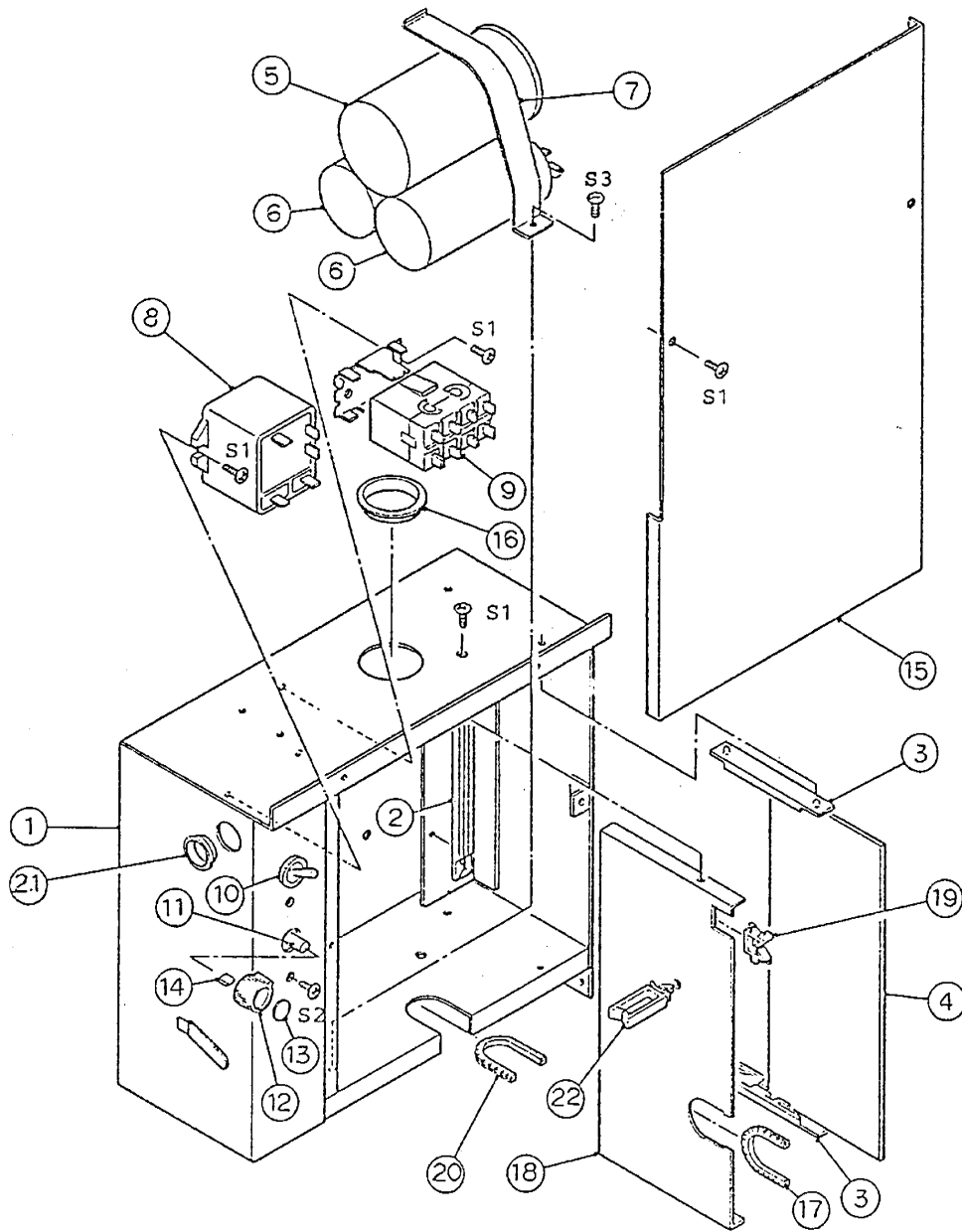
MODEL		TITLE						
KM-1201DSU		C. WATER CIRCUIT ASSEMBLY						
INDEX NO.	DESCRIPTION	MATERIAL OR MODEL NUMBER	PART NUMBER	REQ'D NUMBER				
				F-1	G-1	G-2	H-1	H-2
54	Tube (A) - Insulated	EPDM	430214G01	1	1	1	1	1
55	Tube (B) - Insulated	EPDM	430214G02	1	1	1	1	1
56	Holder	PP	321976-01					1

E

HA

MODEL		TITLE					
KM-1201DSU		C. WATER CIRCUIT ASSEMBLY					
INDEX NO.	DESCRIPTION	MATERIAL OR MODEL NUMBER	PART NUMBER	REQ'D NUMBER			
				H-3	J-1	J-2	
54	Tube (A) - Insulated	EPDM	430214G01	1	1	1	
55	Tube (B) - Insulated	EPDM	430214G02	1	1	1	
56	Holder	PP	321976-01	1	1	1	
57	Clamp	No.4253	427902-05	1	1	1	
58	Float SW Bracket	S.S	435104-01	1	1	1	
59	Tee (A)	ABS	434943G01	1	1	1	
60	Ring 16	Acryl	434944-01	1	1	1	
	Ring 18		434944-02				
	Ring 20		434944-03				
	Ring 22		434944-04				
	Ring 24		434944-05				
61	Cover - Pump	-	3A0030G01		1	1	
62	Hose Clamp	S.S	427443-02			②	

E



FASTENER

- S1 - TRUSS HEAD TAPPING SCREW, M4x8
- S2 - TRUSS HEAD MACHINE SCREW, M4x6
- S3 - TRUSS HEAD TAPPING SCREW, M4x12

HA

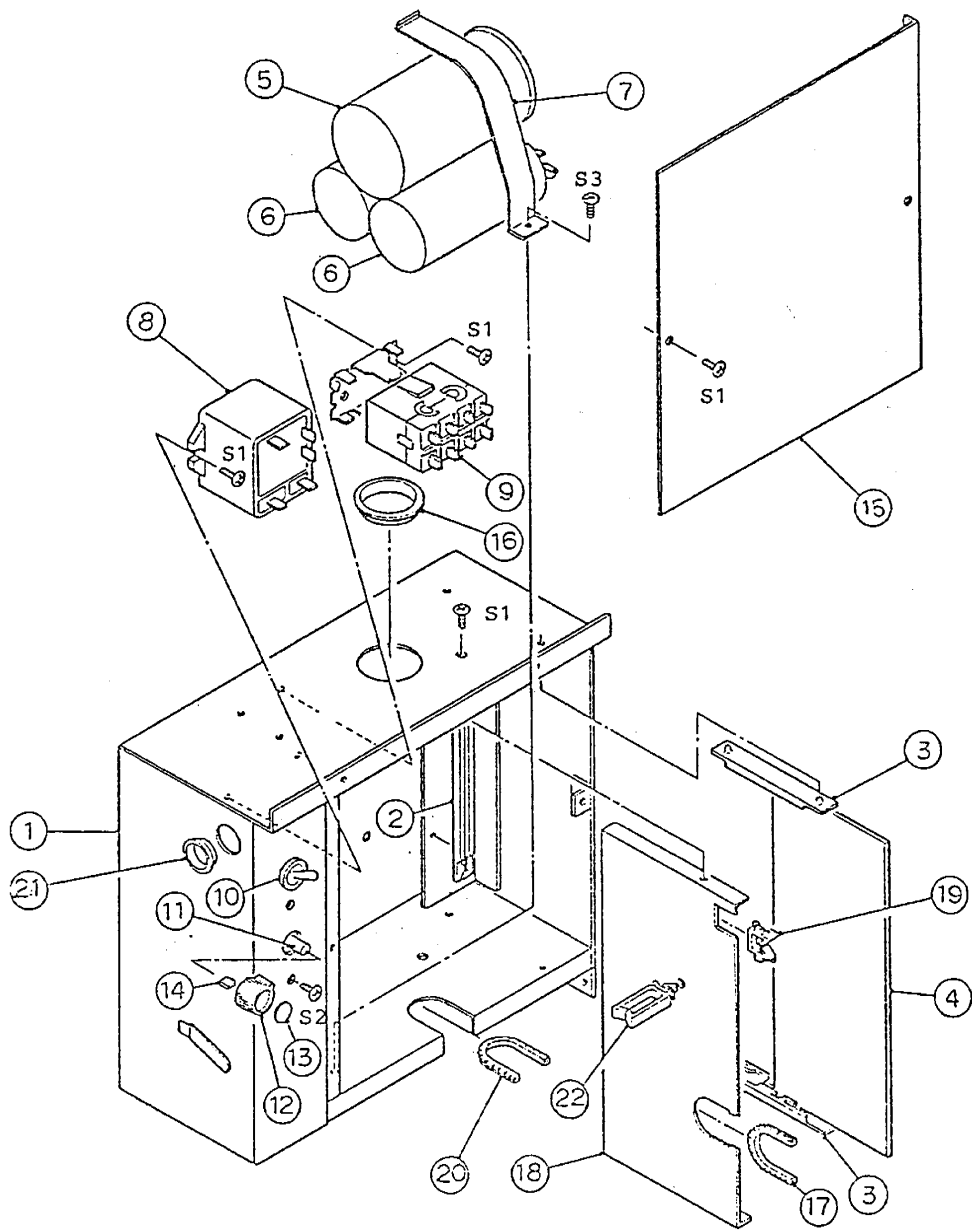
MODEL		TITLE						
KM-1201DU		D. CONTROL BOX ASSEMBLY						
INDEX NO.	DESCRIPTION	MATERIAL OR MODEL NUMBER	PART NUMBER	REQ'D NUMBER				
				F-1	G-1	G-2	H-1	H-2
1	Control Box	G.S	209487G01	1	1	1	1	1
2	Guide	GR-180S	427005-01	1	1	1	1	1
3	Guide	SPC-3000	427006-01	2	2	2	2	2
4	Controller Board	HSU83137C06	427004-06	1	-			
		-	431225-02		1	1	1	1
5	Run Capacitor	PMT-37550P	428636-01	1	1	1	1	1
6	Start Capacitor	MS160F250 (J) -R	428652-01	2	2	2	2	2
7	Strap	G.S	428552-01	1	1	1	1	1
8	Starter	FST-200B	3U0087-01	1	1	1	1	1
9	Magnetic Contactor	VC20FA	428393-01	1	1	1	1	1
10	Toggle Switch	ST-103A	405135-02	1	1	1	1	1
11	Thermostat	A10-9758	420465-02	1	1	1	1	1
12	Knob	ABS	309332-01	1	1	1	1	1
13	Label - Knob	PETP Film	415993-01	1	1	1	1	1
14	Insert	PE	407927-01	1	1	1	1	1
15	Cover (A) - Control Box	G.S	428595G01	1	1	1	1	1
16	Bushing	SB-1500-21	420470-06	1	1	1	1	1
17	Bushing	KG-012 L=67	7991KA067	1	1	1	1	1
18	Plate - Shield	G.S	318056-01	1	1	1	1	1
19	Edge Saddle	EDS-2	421552-01	1	1	1	1	1
20	Bushing	KG-012 L=80	7991KA080	1	1	1	1	1
21	Bushing	SB-750-10	420470-05	1	1	1	1	1
22	Wire Saddle	LWS-4NS	428060-01	1	-			
		WS-2NS	427007-02		1	1	1	1

E

HA

MODEL		TITLE						
KM-1201DU		D. CONTROL BOX ASSEMBLY						
INDEX NO.	DESCRIPTION	MATERIAL OR MODEL NUMBER	PART NUMBER	REQ'D NUMBER				
				H-3	J-1			
1	Control Box	G.S	209487G01	1	1			
2	Guide	GR-180S	427005-01	1	1			
3	Guide	SPC-3000	427006-01	2	2			
4	Controller Board	-	431225-02	1	1			
5	Run Capacitor	PMT-37550P	428636-01	1	1			
6	Start Capacitor	MS160F250(J)-R	428652-01	2	2			
7	Strap	G.S	428552-01	1	1			
8	Starter	FST-200B	3U0087-01	1	1			
9	Magnetic Contactor	VC20FA	428393-01	1	1			
10	Toggle Switch	ST-103A	405135-02	1	1			
11	Thermostat	A10-9758	420465-02	1	1			
12	Knob	ABS	309332-01	1	1			
13	Label - Knob	PETP Film	415993-01	1	1			
14	Insert	PE	407927-01	1	1			
15	Cover (A) - Control Box	G.S	428595G01	1	1			
16	Bushing	SB-1500-21	420470-06	1	1			
17	Bushing	KG-012 L=67	7991KA067	1	1			
18	Plate - Shield	G.S	318056-01	1	1			
19	Edge Saddle	EDS-2	421552-01	1	1			
20	Bushing	KG-012 L=80	7991KA080	1	1			
21	Bushing	SB-750-10	420470-05	1	1			
22	Wire Saddle	WS-2NS	427007-02	1	X			
		WS75-25-C	436439-01		①			

E



FASTENER

- S1 - TRUSS HEAD TAPPING SCREW, M4x8
- S2 - TRUSS HEAD MACHINE SCREW, M4x6
- S3 - TRUSS HEAD TAPPING SCREW, M4x12

HA

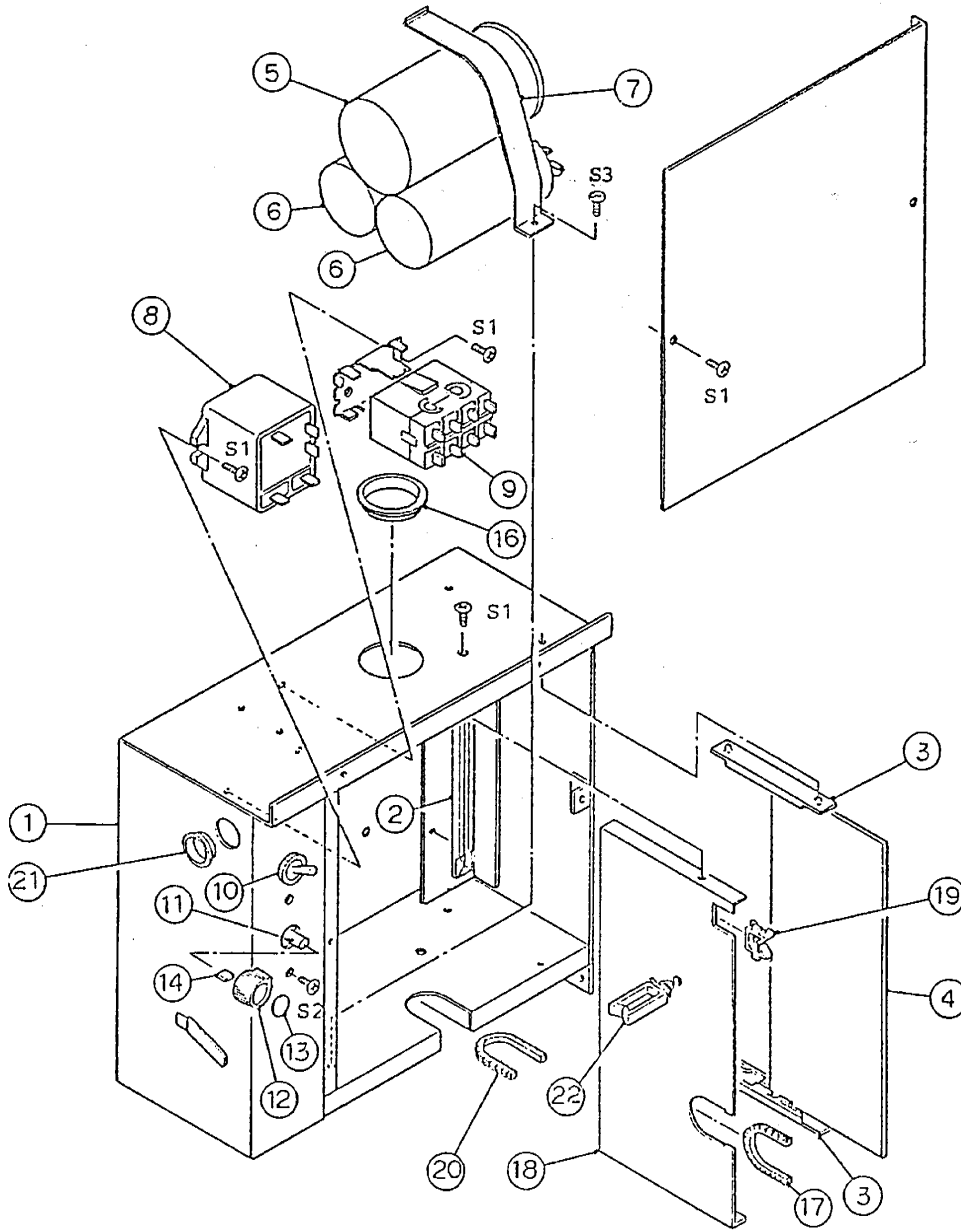
MODEL		TITLE						
KM-1201DWU		D. CONTROL BOX ASSEMBLY						
INDEX NO.	DESCRIPTION	MATERIAL OR MODEL NUMBER	PART NUMBER	REQ'D NUMBER				
				F-1	G-1	G-2	H-1	H-2
1	Control Box	G.S	209487G01	1	1	1	1	1
2	Guide	GR-180S	427005-01	1	1	1	1	1
3	Guide	SPC-3000	427006-01	2	2	2	2	2
4	Controller Board	HSU83137C06	427004-06	1	-			
		-	431225-02		1	1	1	1
5	Run Capacitor	PMT-37550P	428636-01	1	1	1	1	1
6	Start Capacitor	MS160F250(J)-R	428652-01	2	2	2	2	2
7	Strap	G.S	428552-01	1	1	1	1	1
8	Starter	FST-200B	3U0087-01	1	1	1	1	1
9	Magnetic Contactor	VC20FA	428393-01	1	1	1	1	1
10	Toggle Switch	ST-103A	405135-02	1	1	1	1	1
11	Thermostat	A10-9758	420465-02	1	1	1	1	1
12	Knob	ABS	309332-01	1	1	1	1	1
13	Label - Knob	PETP Film	415993-01	1	1	1	1	1
14	Insert	PE	407927-01	1	1	1	1	1
15	Cover (A) - Control Box	G.S	428595G01	1	1	1	1	1
16	Bushing	SB-1500-21	420470-06	1	1	1	1	1
17	Bushing	KG-012 L=67	7991KA067	1	1	1	1	1
18	Plate - Shield	G.S	318056-01	1	1	1	1	1
19	Edge Saddle	EDS-2	421552-01	1	1	1	1	1
20	Bushing	KG-012 L=80	7991KA080	1	1	1	1	1
21	Bushing	SB-750-10	420470-05	1	1	1	1	1
22	Wire Saddle	WS-2NS	427007-02	1	1	1	1	1

E

HA

MODEL		TITLE					
KM-1201DWU		D. CONTROL BOX ASSEMBLY					
INDEX NO.	DESCRIPTION	MATERIAL OR MODEL NUMBER	PART NUMBER	REQ'D NUMBER			
				H-3	J-1		
1	Control Box	G.S	209487G01	1	1		
2	Guide	GR-180S	427005-01	1	1		
3	Guide	SPC-3000	427006-01	2	2		
4	Controller Board	-	431225-02	1	1		
5	Run Capacitor	PMT-37550P	428636-01	1	1		
6	Start Capacitor	MS160F250(J)-R	428652-01	2	2		
7	Strap	G.S	428552-01	1	1		
8	Starter	FST-200B	3U0087-01	1	1		
9	Magnetic Contactor	VC20FA	428393-01	1	1		
10	Toggle Switch	ST-103A	405135-02	1	1		
11	Thermostat	A10-9758	420465-02	1	1		
12	Knob	ABS	309332-01	1	1		
13	Label - Knob	PETP Film	415993-01	1	1		
14	Insert	PE	407927-01	1	1		
15	Cover (A) - Control Box	G.S	428595G01	1	1		
16	Bushing	SB-1500-21	420470-06	1	1		
17	Bushing	KG-012 L=67	7991KA067	1	1		
18	Plate - Shield	G.S	318056-01	1	1		
19	Edge Saddle	EDS-2	421552-01	1	1		
20	Bushing	KG-012 L=80	7991KA080	1	1		
21	Bushing	SB-750-10	420470-05	1	1		
22	Wire Saddle	WS-2NS	427007-02	1	X		
		WS75-25-C	436439-01		①		

E



FASTENER

- S1 - TRUSS HEAD TAPPING SCREW, M4x8
- S2 - TRUSS HEAD MACHINE SCREW, M4x6
- S3 - TRUSS HEAD TAPPING SCREW, M4x12

HA

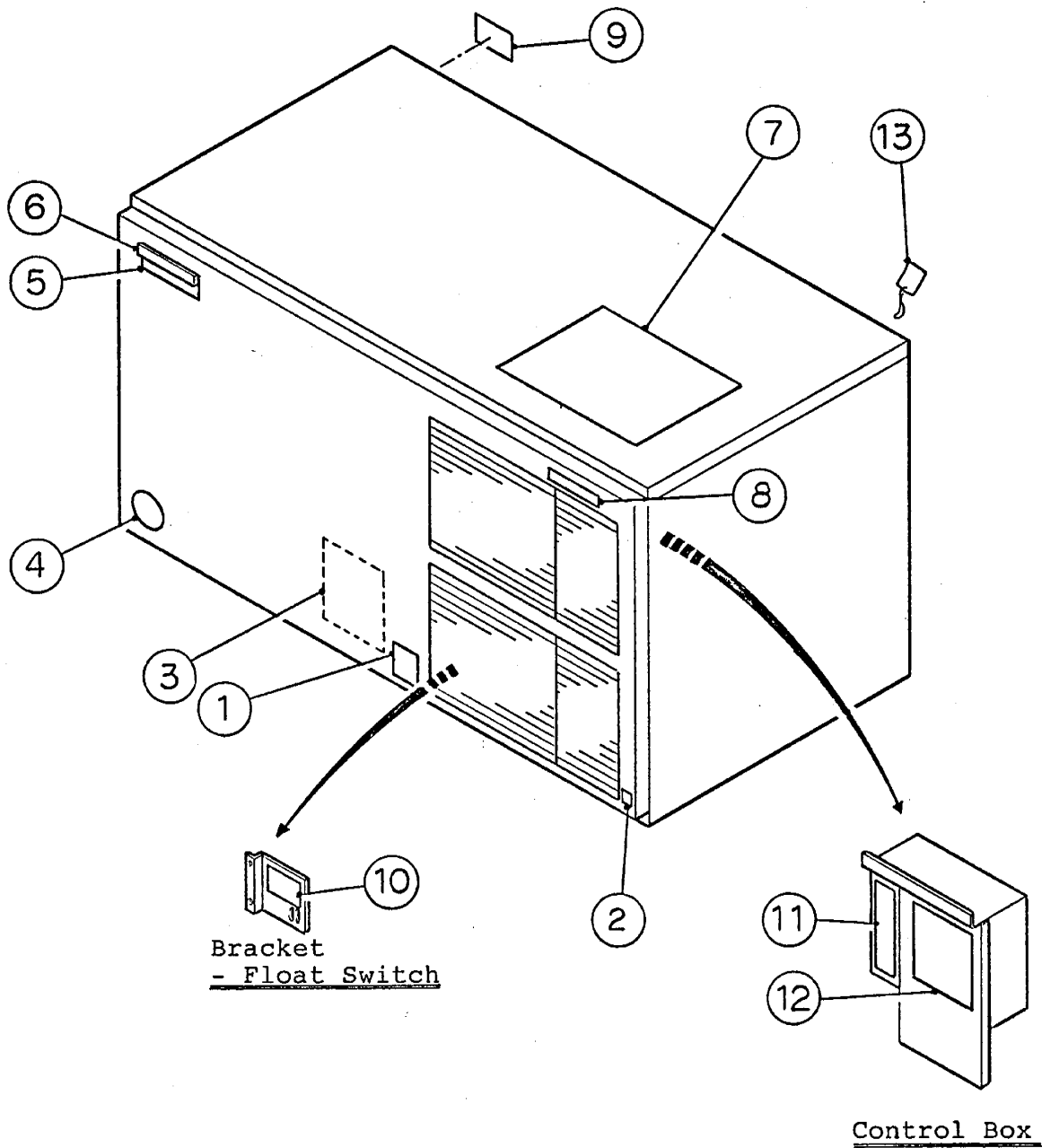
MODEL		TITLE						
KM-1201DSU		D. CONTROL BOX ASSEMBLY						
INDEX NO.	DESCRIPTION	MATERIAL OR MODEL NUMBER	PART NUMBER	REQ'D NUMBER				
				F-1	G-1	G-2	H-1	H-2
1	Control Box	G.S	209487G01	1	1	1	1	1
2	Guide	GR-180S	427005-01	1	1	1	1	1
3	Guide	SPC-3000	427006-01	2	2	2	2	2
4	Controller Board	HSU83137C06	427004-06	1	-			
		-	431225-02		1	1	1	1
5	Run Capacitor	PMT-37550P	428636-01	1	1	1	1	1
6	Start Capacitor	MS160F250 (J) -R	428652-01	2	2	2	2	2
7	Strap	G.S	428552-01	1	1	1	1	1
8	Starter	FST-200B	3U0087-01	1	1	1	1	1
9	Magnetic Contactor	VC20FA	428393-01	1	1	1	1	1
10	Toggle Switch	ST-210P	428638-01	1	1	1	1	1
11	Thermostat - Bin Control	A10-9758	420465-02	1	1	1	1	1
12	Knob	ABS	309332-01	1	1	1	1	1
13	Label - Knob	PETP Film	415993-01	1	1	1	1	1
14	Insert	PE	407927-01	1	1	1	1	1
15	Cover (A) - Control Box	G.S	428596G01	1	1	1	1	1
16	Bushing	SB-1500-21	420470-06	1	1	1	1	1
17	Bushing	KG-012 L=67	7991KA067	1	1	1	1	1
18	Plate - Shield	G.S	318056-01	1	1	1	1	1
19	Edge Saddle	EDS-2	421552-01	1	1	1	1	1
20	Bushing	KG-012 L=80	7991KA080	1	1	1	1	1
21	Bushing	SB-750-10	420470-05	1	1	1	1	1
22	Wire Saddle	WS-2NS	427007-02	1	1	1	1	1

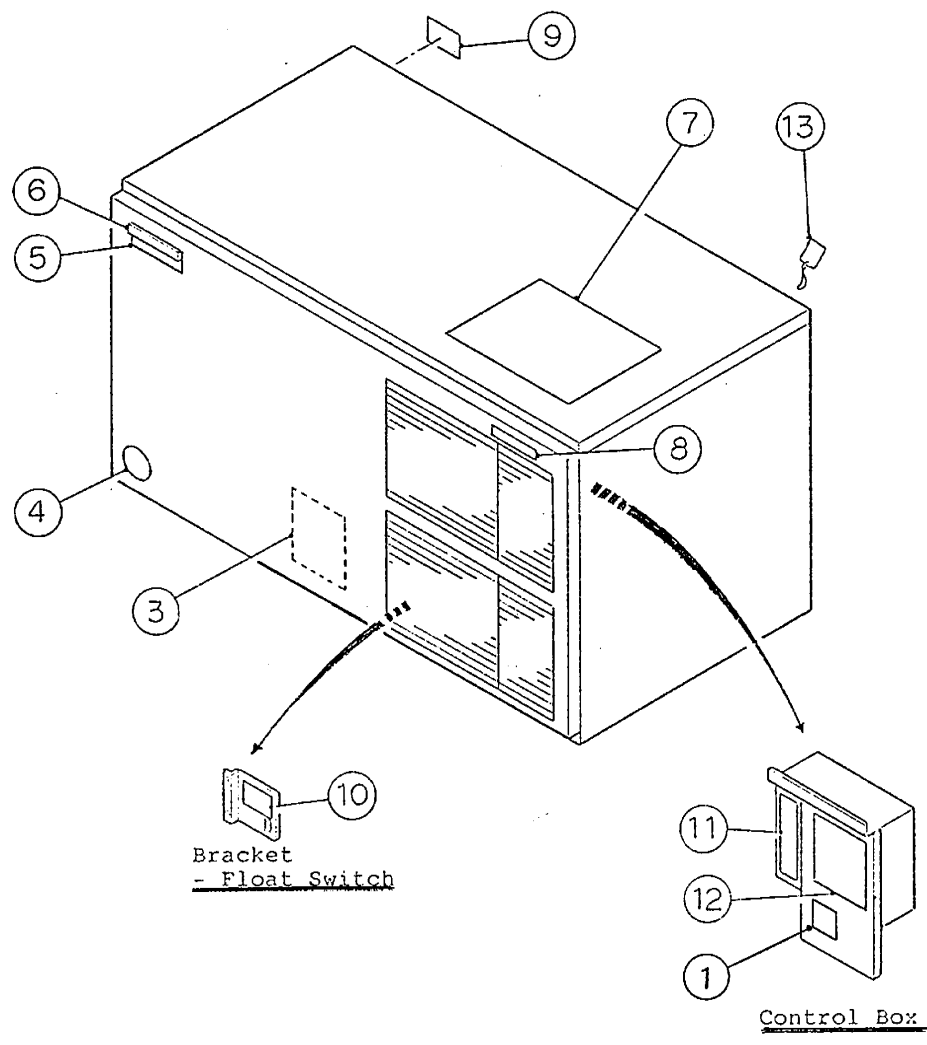
E

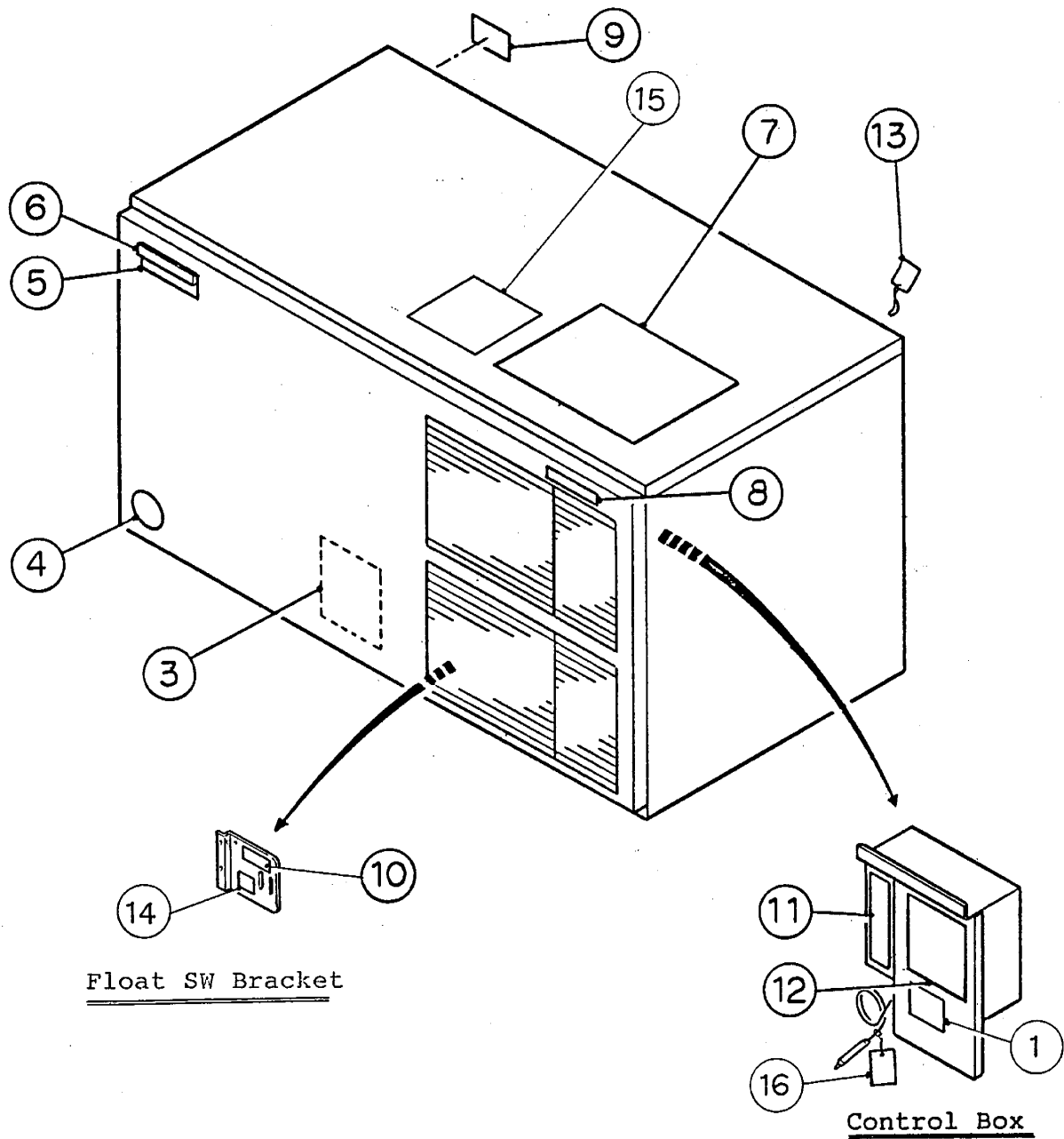
HA

MODEL		TITLE					
KM-1201DSU		D. CONTROL BOX ASSEMBLY					
INDEX NO.	DESCRIPTION	MATERIAL OR MODEL NUMBER	PART NUMBER	REQ'D NUMBER			
				H-3	J-1	J-2	
1	Control Box	G.S	209487G01	1	1	1	
2	Guide	GR-180S	427005-01	1	1	1	
3	Guide	SPC-3000	427006-01	2	2	2	
4	Controller Board	-	431225-02	1	1	1	
5	Run Capacitor	PMT-37550P	428636-01	1	1	1	
6	Start Capacitor	MS160F250(J)-R	428652-01	2	2	2	
7	Strap	G.S	428552-01	1	1	1	
8	Starter	FST-200B	3U0087-01	1	1	1	
9	Magnetic Contactor	VC20FA	428393-01	1	1	1	
10	Toggle Switch	ST-210P	428638-01	1	1	1	
11	Thermostat - Bin Control	A10-9758	420465-02	1	1	1	
12	Knob	ABS	309332-01	1	1	1	
13	Label - Knob	PETP Film	415993-01	1	1	1	
14	Insert	PE	407927-01	1	1	1	
15	Cover (A) - Control Box	G.S	428596G01	1	1	1	
16	Bushing	SB-1500-21	420470-06	1	1	1	
17	Bushing	KG-012 L=67	7991KA067	1	1	1	
18	Plate - Shield	G.S	318056-01	1	1	1	
19	Edge Saddle	EDS-2	421552-01	1	1	1	
20	Bushing	KG-012 L=80	7991KA080	1	1	1	
21	Bushing	SB-750-10	420470-05	1	1	1	
22	Wire Saddle	WS-2NS	427007-02	1	1	X	
		WS75-25-C	436439-01			①	

E







HA

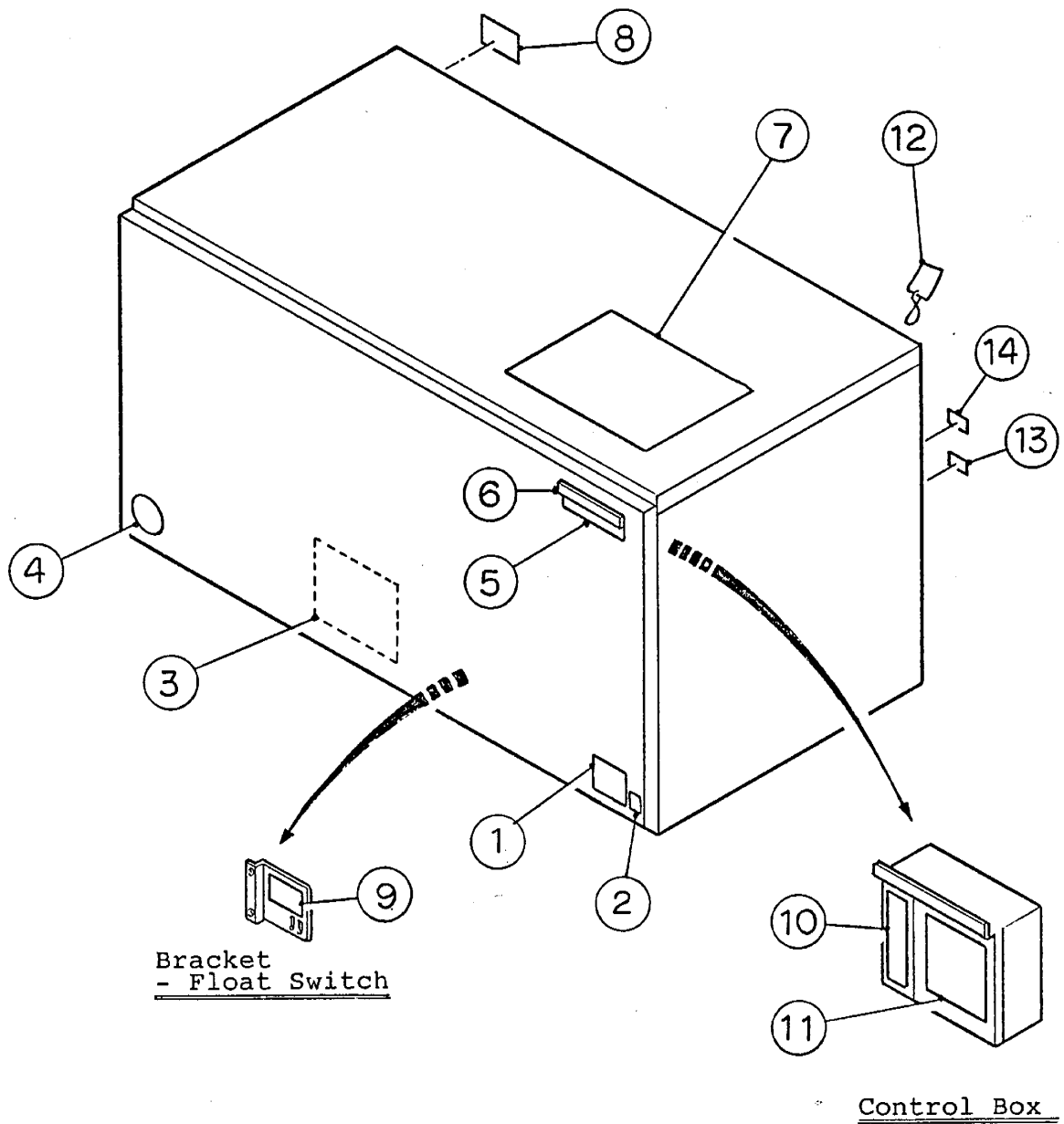
MODEL		TITLE						
KM-1201DU		E. LABEL LOCATION						
INDEX NO.	DESCRIPTION	MATERIAL OR MODEL NUMBER	PART NUMBER	REQ'D NUMBER				
				F-1	G-1	G-2	H-1	H-2
1	Label - Danger and Warning	PVC Film	431092-01	1	1	1	1	1
2	Label - NSF	-	423170-01	1	1	-		
3	Label - Maintenance	PVC Film	318312-01	1	1	1	1	1
4	Label - Penguin	PVC Film	410994-01	1	1	1	1	1
5	Label - Model Number	PETP Film	428511-**	1	1	1	1	1
6	Emblem (L) - HOSHIZAKI	ABS	418634G01	1	1	1	1	1
7	Instruction Sheet - Inst. Ope.	Paper	209606-01	1	1	1	1	1
8	Label - Air Filter	PETP Film	426177-01	1	1	1	1	1
9	Nameplate	PES Film	430692-01	1	1	✕		
			432488-01			①	1	1
10	Label - Float Switch Adjustment	PVC Film	428821-01	1	1	1	1	1
11	Label - Control	Aluminum	428822-01	1	1	1	1	1
12	Label - Wiring Diagram	PVC Film	318296-01	1	-			
			320593-01		1	1	1	1
13	Tag - Warning: Connection	Paper	428430-01	1	1	1	1	1

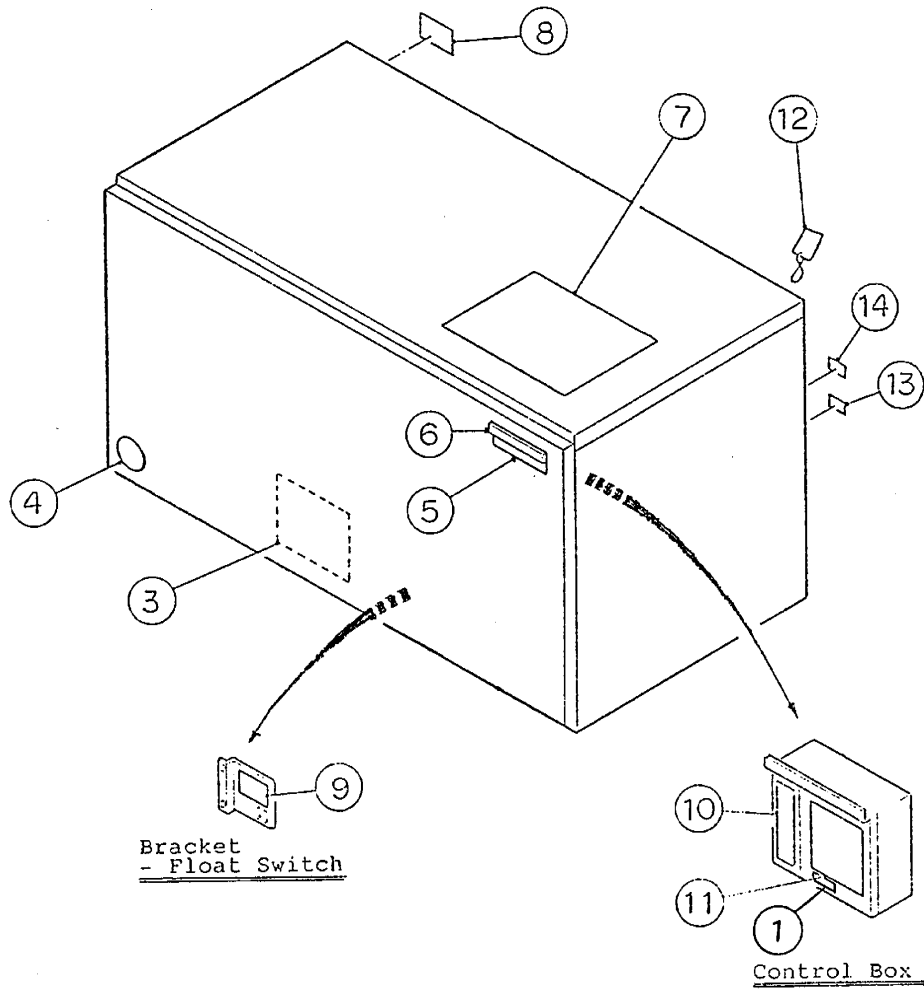
E

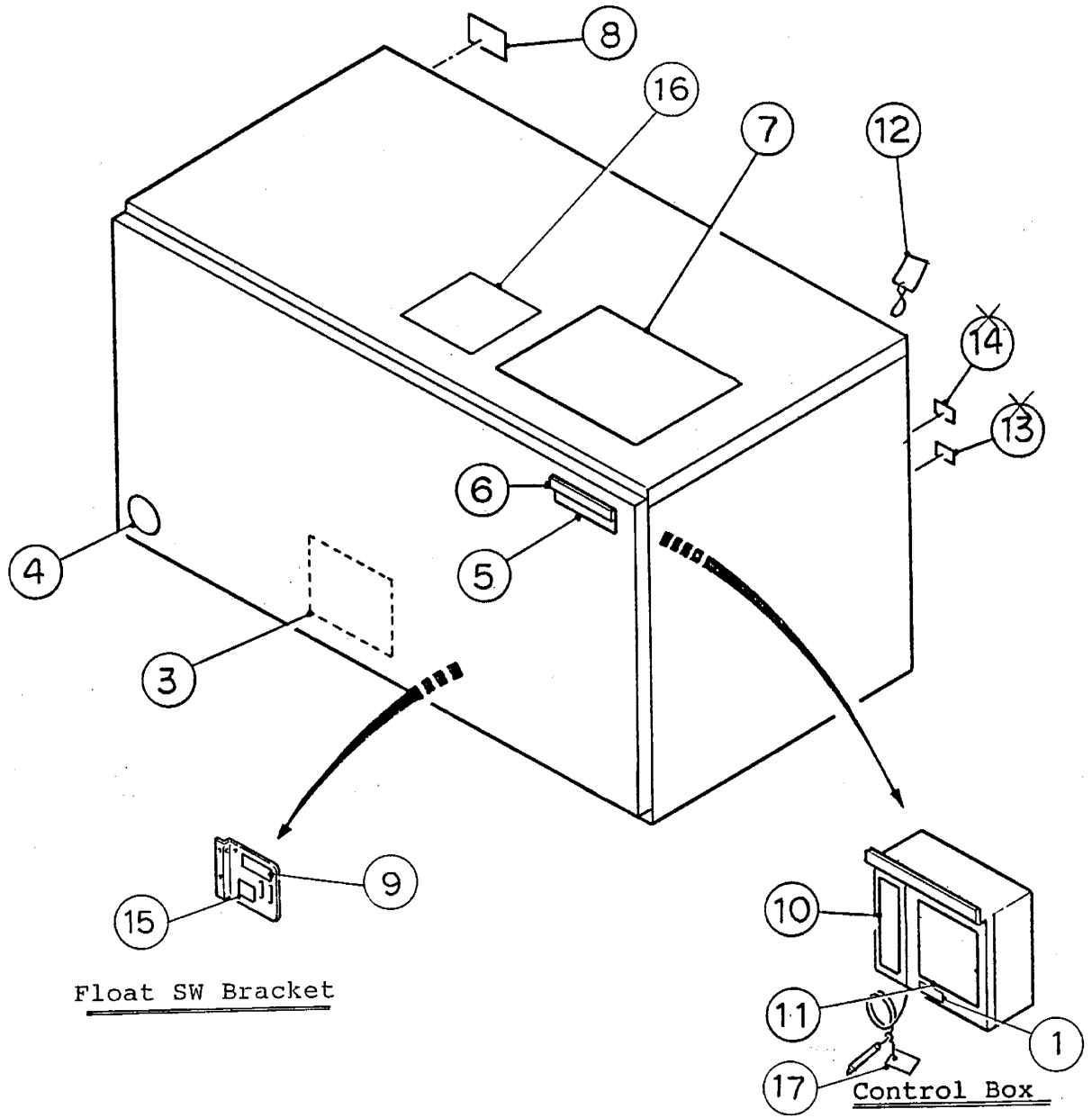
HA

MODEL		TITLE					
KM-1201DU		E. LABEL LOCATION					
INDEX NO.	DESCRIPTION	MATERIAL OR MODEL NUMBER	PART NUMBER	REQ'D NUMBER			
				H-3	J-1		
1	Label - Danger and Warning	PVC Film	431092-01	1	1		
2	-	-	-	-			
3	Label - Maintenance	PVC Film	318312-01	1	1		
4	Label - Penguin	PVC Film	410994-01	1	1		
5	Label - Model Number	PETP Film	428511-**	1	1		
6	Emblem (L) - HOSHIZAKI	ABS	418634G01	1	1		
7	Instruction Sheet - Inst. Ope.	Paper	209606-01	1	1		
8	Label - Air Filter	PETP Film	426177-01	1	1		
9	Nameplate	PES Film	432488-01	1	1		
10	Label - Float Switch Adjustment	PVC Film	428821-01	1	1		
11	Label - Control	Aluminum	428822-01	1	1		
12	Label - Wiring Diagram	PVC Film	320593-01	1	1		
13	Tag - Warning: Connection	Paper	428430-01	1	1		
14	Label - Level Gage	AVC Film	434956-01	1	1		
15	Instruction Sheet (B)	Paper	322643-01	1	1		
16	Tag	Paper	3A0026G01	1	1		

E







HA

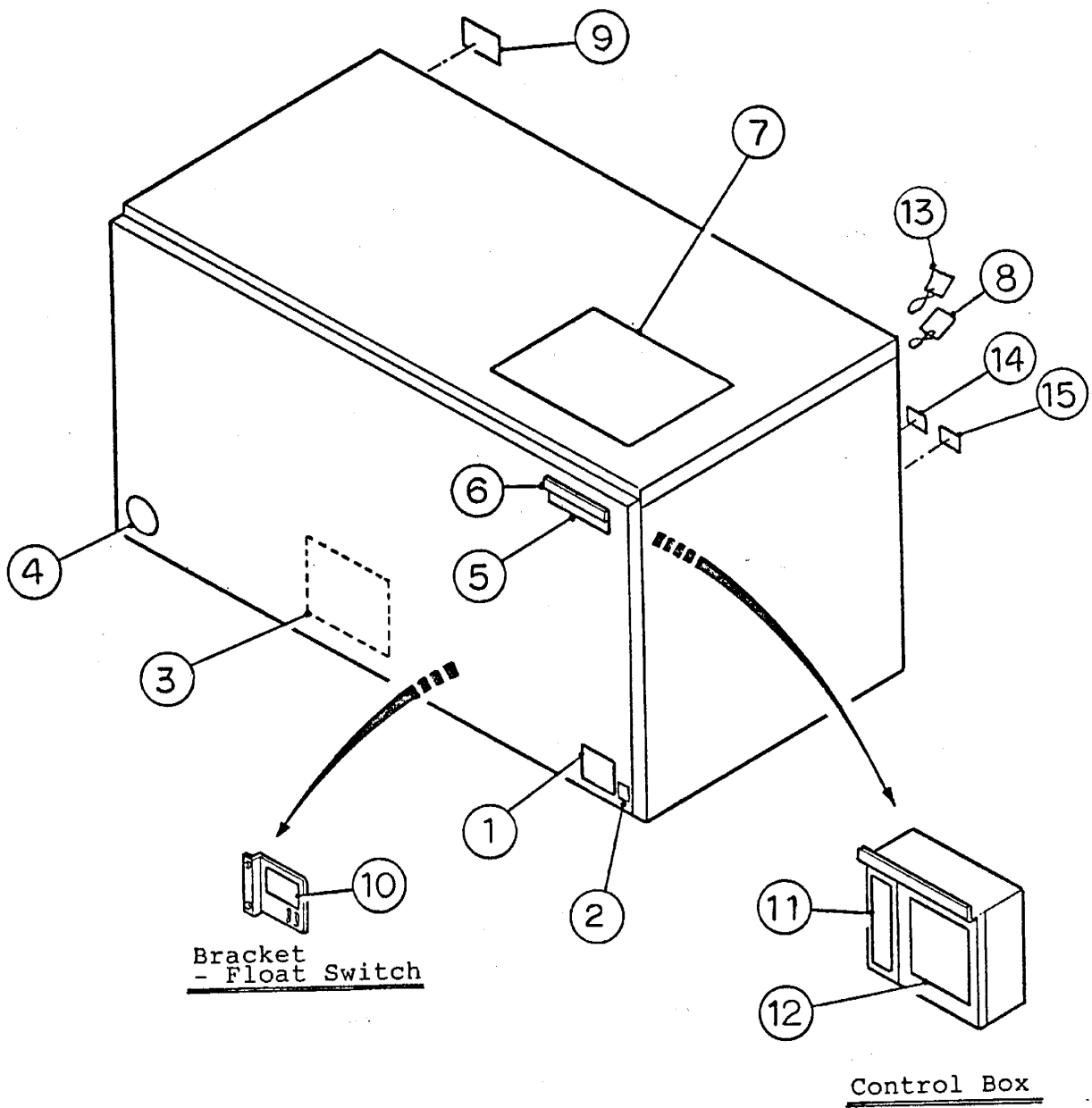
MODEL		TITLE						
KM-1201DWU		E. LABEL LOCATION						
INDEX NO.	DESCRIPTION	MATERIAL OR MODEL NUMBER	PART NUMBER	REQ'D NUMBER				
				F-1	G-1	G-2	H-1	H-2
1	Label - Danger	PVC Film	425322-01	1	1	1	1	1
2	Label - NSF	-	423170-01	1	1	-		
3	Label - Maintenance	PVC Film	318312-01	1	1	1	1	1
4	Label - Penguin	PVC Film	410994-01	1	1	1	1	1
5	Label - Model Number	PETP Film	428515-**	1	1	1	1	1
6	Emblem (L) - HOSHIZAKI	ABS	418634G01	1	1	1	1	1
7	Instruction Sheet - Inst. Ope.	Paper	209606-01	1	1	1	1	1
8	Nameplate	PES Film	430694-01	1	1	⊗		
			432490-01			①	1	1
9	Label - Float Switch Adjustment	PVC Film	428821-01	1	1	1	1	1
10	Label - Control	Aluminum	428822-01	1	1	1	1	1
11	Label - Wiring Diagram	PVC Film	318296-01	1	-			
			320593-01		1	1	1	1
12	Tag - Warning: Electrical Connection	Paper	428430-01	1	1	1	1	1
13	Label - Cooling Water Inlet	PETP Film	420743-02	1	1	⊗		
			418029-04			①	1	1
14	Label - Cooling Water Outlet	PETP Film	420743-01	1	1	⊗		
			418029-05			①	1	1

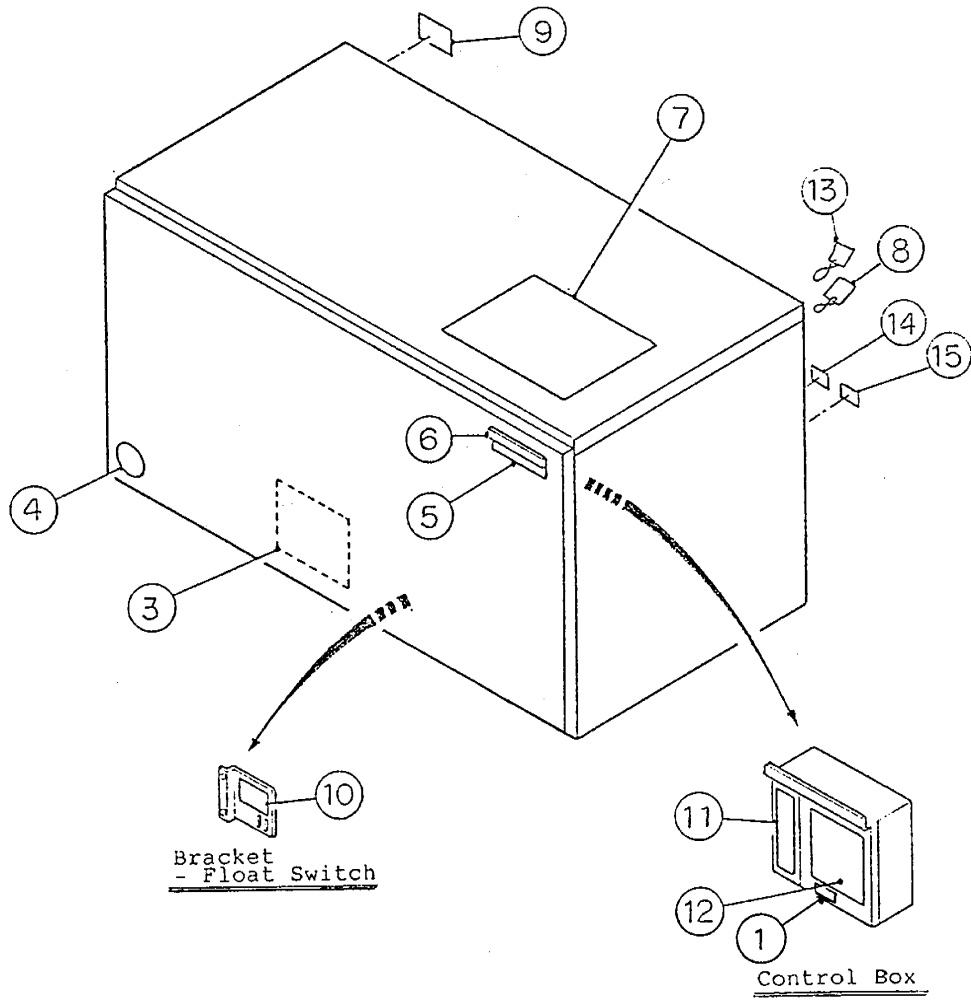
E

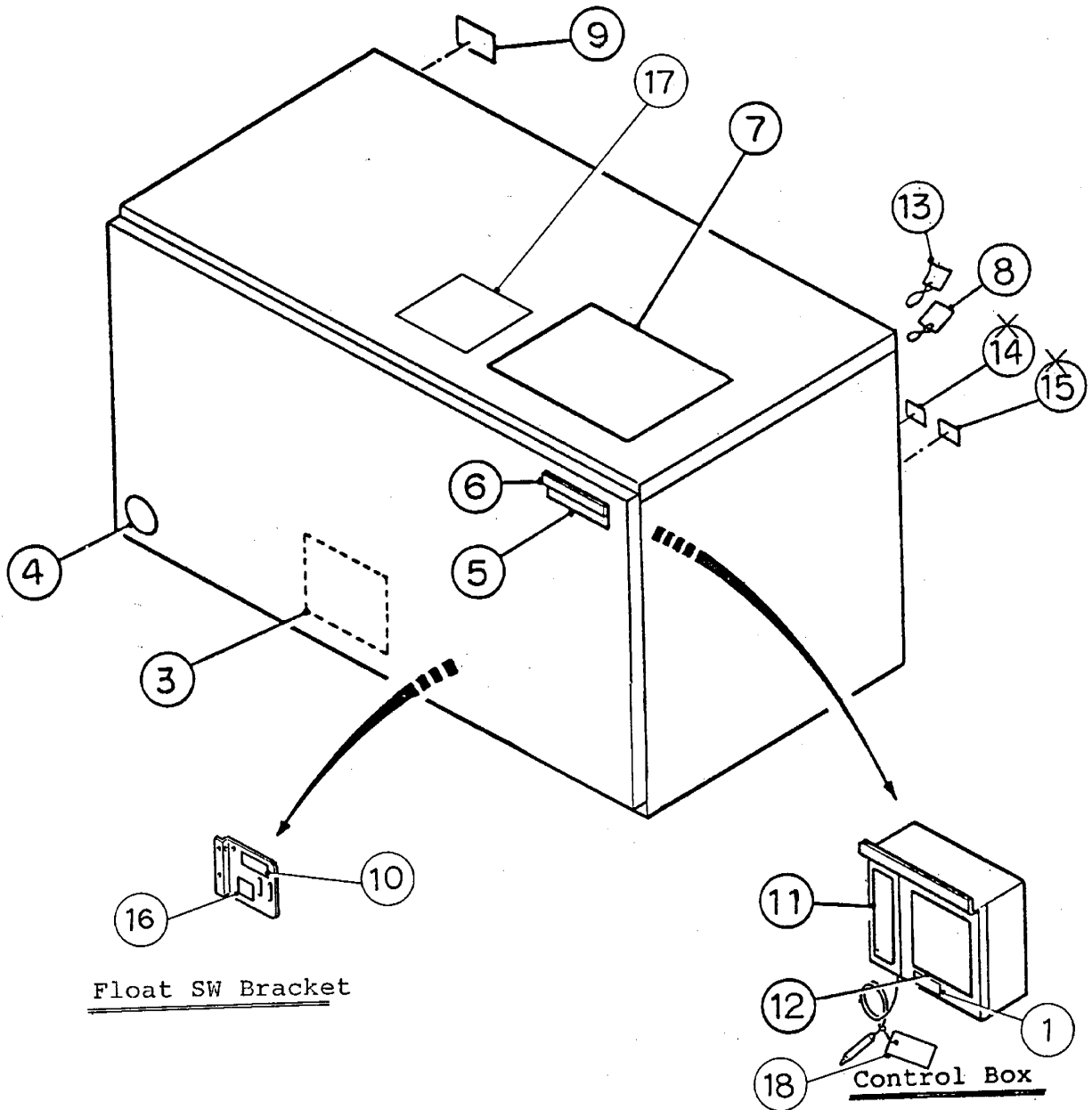
HA

MODEL		TITLE						
KM-1201DWU		E. LABEL LOCATION						
INDEX NO.	DESCRIPTION	MATERIAL OR MODEL NUMBER	PART NUMBER	REQ'D NUMBER				
				H-3	J-1			
1	Label - Danger	PVC Film	425322-01	1	1			
2	-	-	-	-				
3	Label - Maintenance	PVC Film	318312-01	1	1			
4	Label - Penguin	PVC Film	410994-01	1	1			
5	Label - Model Number	PETP Film	428515-**	1	1			
6	Emblem (L) - HOSHIZAKI	ABS	418634G01	1	1			
7	Instruction Sheet - Inst. Ope.	Paper	209606-01	1	1			
8	Nameplate	PES Film	432490-01	1	1			
9	Label - Float Switch Adjustment	PVC Film	428821-01	1	1			
10	Label - Control	Aluminum	428822-01	1	1			
11	Label - Wiring Diagram	PVC Film	320593-01	1	1			
12	Tag - Warning: Electrical Connection	Paper	428430-01	1	1			
13	Label - Cooling Water Inlet	PEPT Film	418029-04	1	-			
14	Label - Cooling Water Outlet	PEPT Film	418029-05	1	-			
15	Label - Level Gage	PVC Film	434956-01	1	1			
16	Instruction Sheet (B)	Paper	322643-01	1	1			
17	Tag	Paper	3A0026G01	1	1			

E







HA

MODEL		TITLE							
KM-1201DSU		E. LABEL LOCATION							
INDEX NO.	DESCRIPTION	MATERIAL OR MODEL NUMBER	PART NUMBER	REQ'D NUMBER					
				F-1	G-1	G-2	H-1	H-2	
1	Label - Danger and Warning	PVC Film	431092-01	1	1	1	1	1	
2	Label - NSF	-	423170-01	1	1	-			
3	Label - Maintenance	PVC Film	318312-01	1	1	1	1	1	
4	Label - Penguin	PVC Film	410994-01	1	1	1	1	1	
5	Label - Model Number	PETP Film	428513-**	1	1	1	1	1	
6	Emblem (L) - HOSHIZAKI	ABS	418634G01	1	1	1	1	1	
7	Instruction Sheet - Inst. Ope.	Paper	209606-01	1	1	1	1	1	
8	Tag - Fan Motor Leads	Paper	420742-01	1	1	1	1	1	
9	Nameplate	PES Film	430693-01	1	1	⊗			
			432489-01			①	1	1	
10	Label - Float Switch Adjustment	PVC Film	428821-01	1	1	1	1	1	
11	Label - Control	Aluminum	428823-01	1	1	1	1	1	
12	Label - Wiring Diagram	PVC Film	318297-01	1	-				
			320594-01		1	1	1	1	
13	Tag - Warning: Electrical Connection	Paper	428430-01	1	1	1	1	1	
14	Label - Arrow, "IN"	PETP Film	420743-01	1	1	1	1	1	
15	Label - Arrow, "OUT"	PETP Film	420743-02	1	1	1	1	1	

E

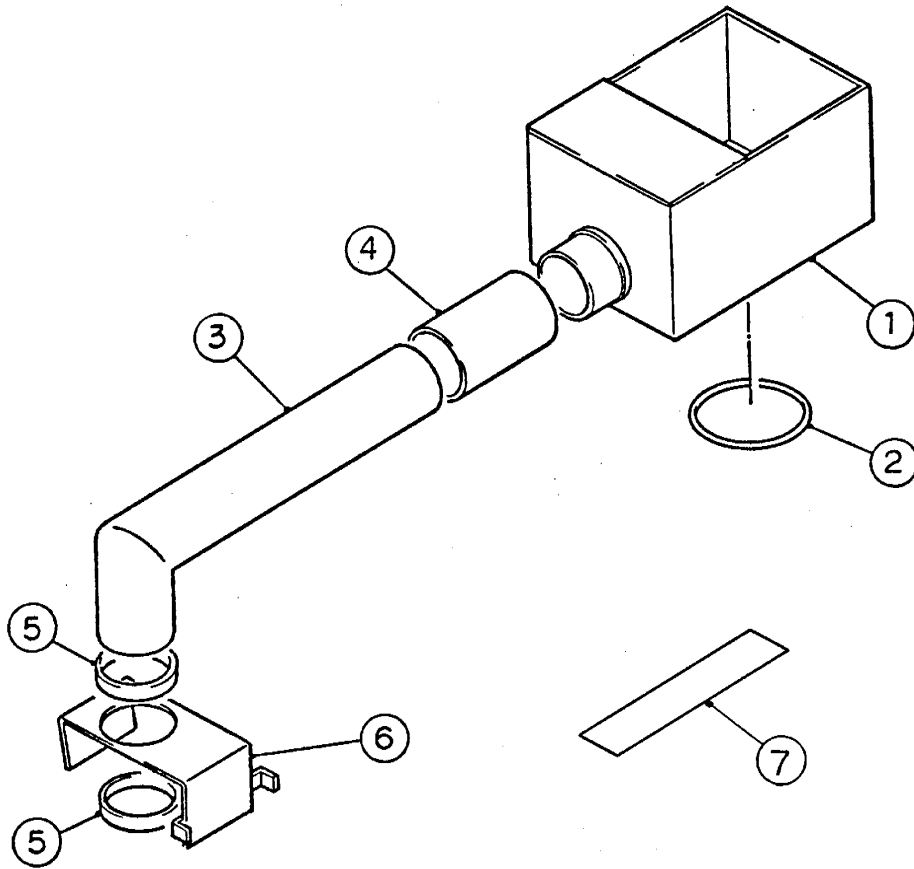
** is as same as the Auxiliary Code. 40

HA

MODEL		TITLE					
KM-1201DSU		E. LABEL LOCATION					
INDEX NO.	DESCRIPTION	MATERIAL OR MODEL NUMBER	PART NUMBER	REQ'D NUMBER			
				H-3	J-1	J-2	
1	Label - Danger and Warning	PVC Film	431092-01	1	1	1	
2	-	-	-	-			
3	Label - Maintenance	PVC Film	318312-01	1	1	1	
4	Label - Penguin	PVC Film	410994-01	1	1	1	
5	Label - Model Number	PETP Film	428513-**	1	1	1	
6	Emblem (L) - HOSHIZAKI	ABS	418634G01	1	1	1	
7	Instruction Sheet - Inst. Ope.	Paper	209606-01	1	1	1	
8	Tag - Fan Motor Leads	Paper	420742-01	1	1	1	
9	Nameplate	PES Film	432489-01	1	1	1	
10	Label - Float Switch Adjustment	PVC Film	428821-01	1	1	1	
11	Label - Control	Aluminum	428823-01	1	1	1	
12	Label - Wiring Diagram	PVC Film	320594-01	1	1	1	
13	Tag - Warning: Electrical Connection	Paper	428430-01	1	1	1	
14	Label - Arrow, "IN"	PEPT Film	420743-01	1	1	-	
15	Label - Arrow, "Out"	PEPT Film	420743-02	1	1	-	
16	Label - Level Gage	PVC Film	434956-01	1	1	1	
17	Instruction Sheet (B)	Paper	322643-01	1	1	1	
18	Tag	Paper	3A0026G01	1	1	1	

E

** is as same as the Auxiliary Code. 40-2



HA

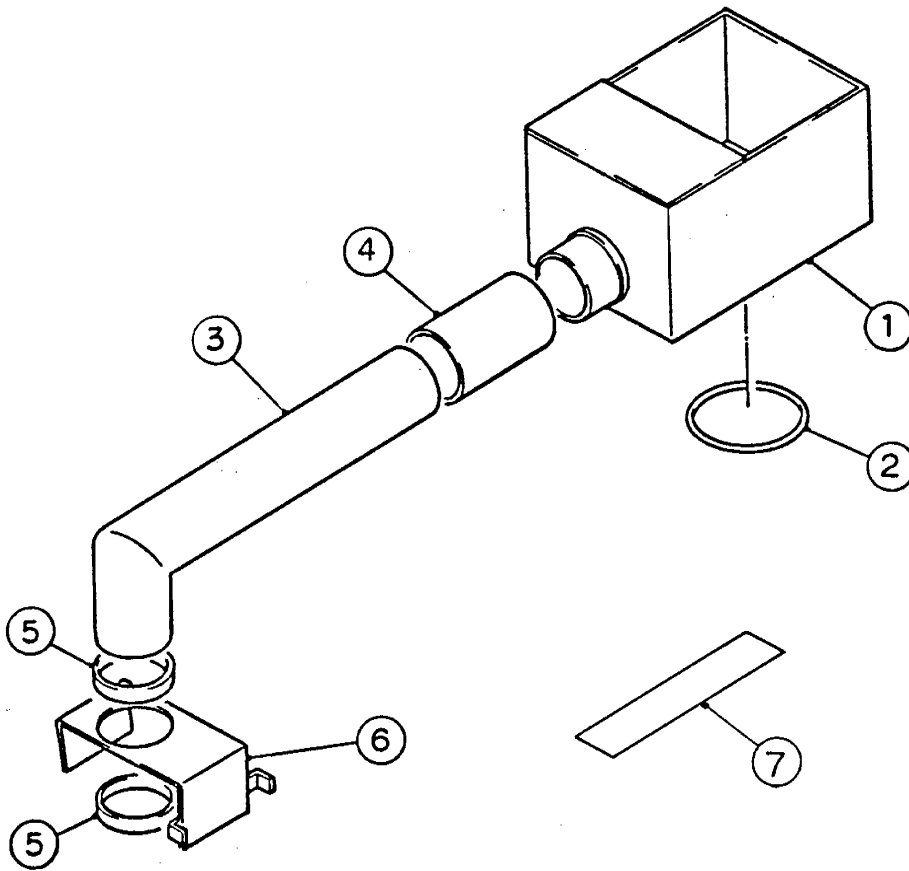
MODEL		TITLE						
KM-1201DU, DWU		F. DRAIN UNIT						
INDEX NO.	DESCRIPTION	MATERIAL OR MODEL NUMBER	PART NUMBER	REQ'D NUMBER				
				F-1	G-1	G-2	H-1	H-2
1	Drain Tank	ABS	319538G01	1	1	1	1	1
2	"O" Ring	1AG60	7611-G060	1	1	1	1	1
3	Pipe - Drain	ABS	430431G02	1	1	1	1	1
4	Pipe (A)	EPDM	420781-01	1	1	1	1	1
5	Pipe	EPDM	430430-02	2	2	2	2	2
6	Bracket	S.S	319539G01	1	1	1	1	1
7	Label - Caution: Shutter	Paper	430438-01	1	1	1	1	1

E

HA

MODEL		TITLE					
KM-1201DU, DWU		F. DRAIN UNIT					
INDEX NO.	DESCRIPTION	MATERIAL OR MODEL NUMBER	PART NUMBER	REQ'D NUMBER			
				H-3	J-1		
1	Drain Tank	ABS	319538G01	1	1		
2	"O" Ring	1AG60	7611-G060	1	1		
3	Pipe - Drain	ABS	430431G02	1	1		
4	Pipe (A)	EPDM	420781-01	1	1		
5	Pipe	EPDM	430430-02	2	2		
6	Bracket	S.S	319539G01	1	1		
7	Label - Caution: Shutter	Paper	430438-01	1	1		

E



HA

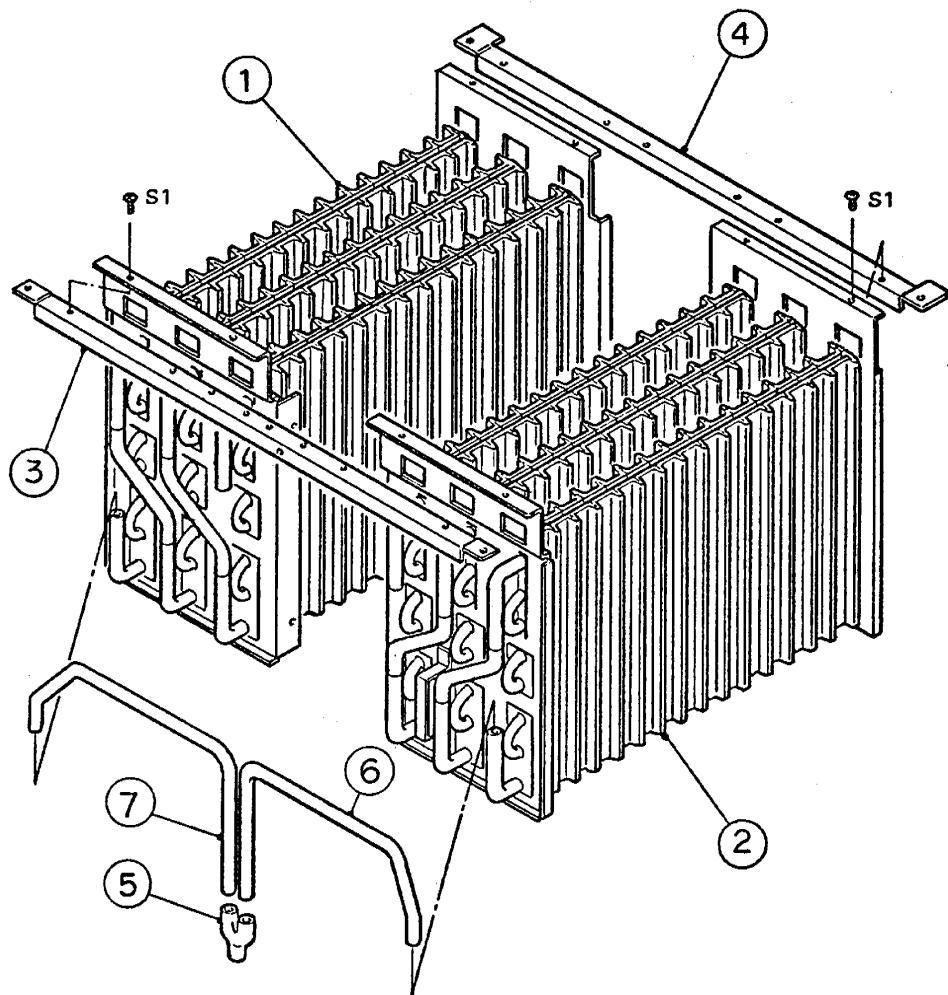
MODEL		TITLE							
KM-1201DSU		F. DRAIN UNIT							
INDEX NO.	DESCRIPTION	MATERIAL OR MODEL NUMBER	PART NUMBER	REQ'D NUMBER					
				F-1	G-1	G-2	H-1	H-2	
1	Drain Tank	ABS	319538G01	1	1	1	1	1	
2	"O" Ring	1AG60	7611-G060	1	1	1	1	1	
3	Pipe - Drain	ABS	430431G02	1	1	1	1	1	
4	Pipe (A)	EPDM	420781-01	1	1	1	1	1	
5	Pipe	EPDM	430430-02	2	2	2	2	2	
6	Bracket	S.S	319539G01	1	1	1	1	1	
7	Label - Caution: Shutter	Paper	430438-01	1	1	1	1	1	

E

HA

MODEL		TITLE					
KM-1201DSU		F. DRAIN UNIT					
INDEX NO.	DESCRIPTION	MATERIAL OR MODEL NUMBER	PART NUMBER	REQ'D NUMBER			
				H-3	J-1	J-2	
1	Drain Tank	ABS	319538G01	1	1	1	
2	"0" Ring	1AG60	7611-G060	1	1	1	
3	Pipe - Drain	ABS	430431G02	1	1	1	
4	Pipe (A)	EPDM	420781-01	1	1	1	
5	Pipe	EPDM	430430-02	2	2	2	
6	Bracket	S.S	319539G01	1	1	1	
7	Label - Caution: Shutter	Paper	430438-01	1	1	1	

E



FASTENER

S1 - PAN HEAD MACHINE SCREW, STAINLESS, M4x8

HA

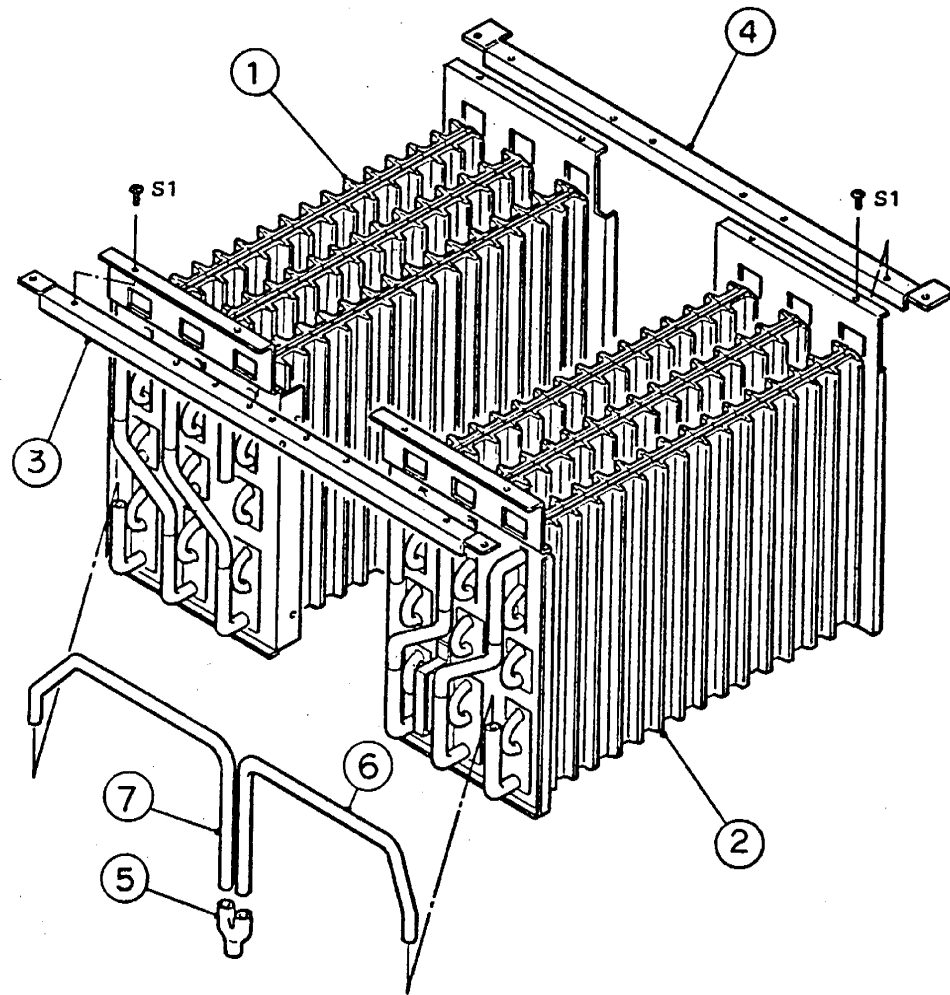
MODEL		TITLE						
KM-1201DU, DWU		G. EVAPORATOR ASSEMBLY						
INDEX NO.	DESCRIPTION	MATERIAL OR MODEL NUMBER	PART NUMBER	REQ'D NUMBER				
				F-1	G-1	G-2	H-1	H-2
1	Evaporator (Left)	-	209923G01	1	1	1	1	1
2	Evaporator (Right)	-	209922G01	1	1	1	1	1
3	Bracket (A) - Evaporator	S.S	318091-01	1	1	1	1	-
		G.S	318091-02					1
4	Bracket (B) - Evaporator	S.S	318089-01	1	1	1	1	-
		G.S	318089-02					1
5	"Y" Branch	Copper	428640-01	1	1	1	1	1
6	Pipe (B-1)	Copper	430482-01	1	1	1	1	1
7	Pipe (B-2)	Copper	430480-01	1	1	1	1	1

E

HA

MODEL		TITLE						
KM-1201DU, DWU		G. EVAPORATOR ASSEMBLY						
INDEX NO.	DESCRIPTION	MATERIAL OR MODEL NUMBER	PART NUMBER	REQ'D NUMBER				
				H-3	J-1			
1	Evaporator (Left)	-	209923G01	1	1			
2	Evaporator (Right)	-	209922G01	1	1			
3	Bracket (A) - Evaporator	G.S	318091-02	1	1			
4	Bracket (B) - Evaporator	G.S	318089-02	1	1			
5	"Y" Branch	Copper	428640-01	1	1			
6	Pipe (B-1)	Copper	430482-01	1	1			
7	Pipe (B-2)	Copper	430480-01	1	1			

E



FASTENER

S1 - PAN HEAD MACHINE SCREW, STAINLESS, M4x8

HA

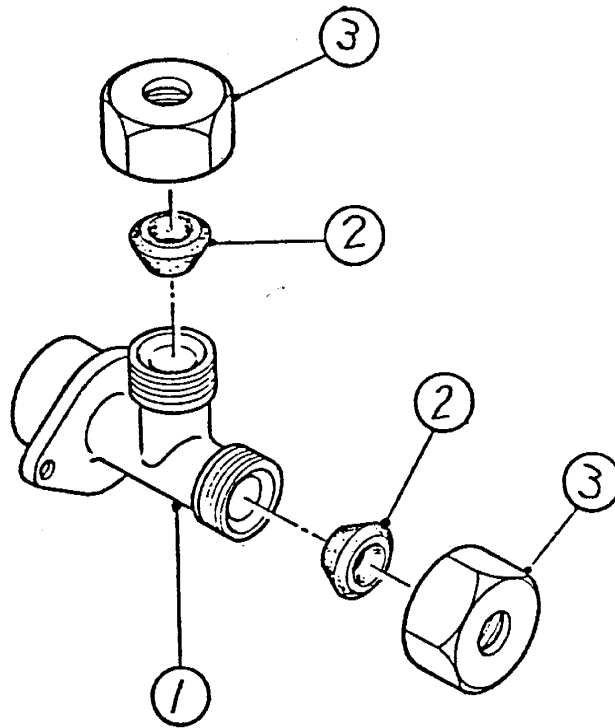
MODEL		TITLE						
KM-1201DSU		G. EVAPORATOR ASSEMBLY						
INDEX NO.	DESCRIPTION	MATERIAL OR MODEL NUMBER	PART NUMBER	REQ'D NUMBER				
				F-1	G-1	G-2	H-1	H-2
1	Evaporator (Left)	-	209923G01	1	1	1	1	1
2	Evaporator (Right)	-	209922G01	1	1	1	1	1
3	Bracket (A) - Evaporator	S.S	318091-01	1	1	1	1	-
		G.S	318091-02					1
4	Bracket (B) - Evaporator	S.S	318089-01	1	1	1	1	-
		G.S	318089-02					1
5	"Y" Branch	Copper	428640-01	1	1	1	1	1
6	Pipe (B-1)	Copper	430482-01	1	1	1	1	1
7	Pipe (B-2)	Copper	430480-01	1	1	1	1	1

E

HA

MODEL		TITLE					
KM-1201DSU		G. EVAPORATOR ASSEMBLY					
INDEX NO.	DESCRIPTION	MATERIAL OR MODEL NUMBER	PART NUMBER	REQ'D NUMBER			
				H-3	J-1	J-2	
1	Evaporator (Left)	-	209923G01	1	1	1	
2	Evaporator (Right)	-	209922G01	1	1	1	
3	Bracket (A) - Evaporator	G.S	318091-02	1	1	1	
4	Bracket (B) - Evaporator	G.S	318089-02	1	1	1	
5	"Y" Branch	Copper	428640-01	1	1	1	
6	Pipe (B-1)	Copper	430482-01	1	1	1	
7	Pipe (B-2)	Copper	430480-01	1	1	1	

E



HA

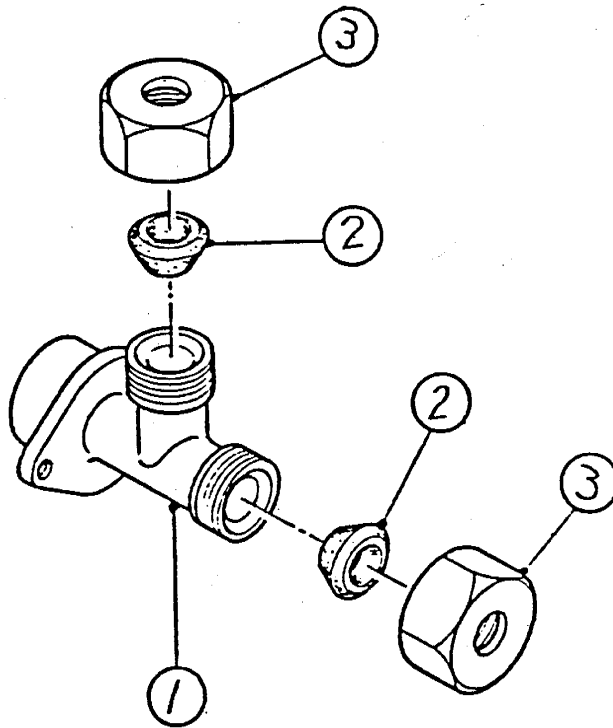
MODEL		TITLE						
KM-1201DU,DWU		H. FITTING (S) ASSEMBLY						
INDEX NO.	DESCRIPTION	MATERIAL OR MODEL NUMBER	PART NUMBER	REQ'D NUMBER				
				F-1	G-1	G-2	H-1	H-2
1	Fitting (J)	Brass	310977-01	1	1	1	1	1
2	Taper Packing (A)	Sy.R	415715-01	2	2	2	2	2
3	Nut - Fitting	Brass	415713-01	2	2	2	2	2

E

HA

MODEL		TITLE						
KM-1201DU, DWU		H. FITTING (S) ASSEMBLY						
INDEX NO.	DESCRIPTION	MATERIAL OR MODEL NUMBER	PART NUMBER	REQ'D NUMBER				
				H-3	J-1			
1	Fitting (J)	Brass	310977-01	1	1			
2	Taper Packing (A)	Sy.R	415715-01	2	2			
3	Nut - Fitting	Brass	415713-01	2	2			

E



HA

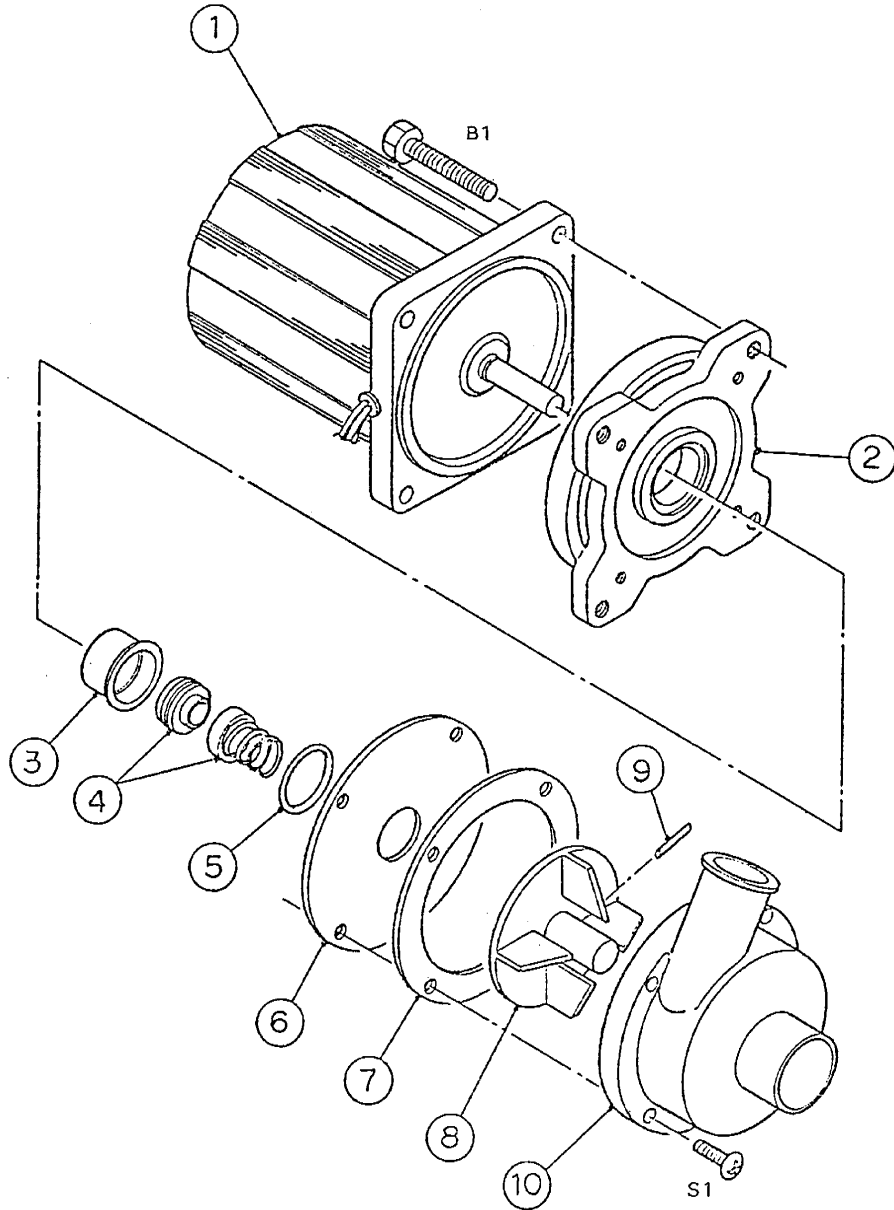
MODEL		TITLE						
KM-1201DSU		H. FITTING (S) ASSEMBLY						
INDEX NO.	DESCRIPTION	MATERIAL OR MODEL NUMBER	PART NUMBER	REQ'D NUMBER				
				F-1	G-1	G-2	H-1	H-2
1	Fitting (J)	Brass	310977-01	1	1	1	1	1
2	Taper Packing (A)	Sy.R	415715-01	2	2	2	2	2
3	Nut - Fitting	Brass	415713-01	2	2	2	2	2

E

HA

MODEL		TITLE						
KM-1201DSU		H. FITTING (S) ASSEMBLY						
INDEX NO.	DESCRIPTION	MATERIAL OR MODEL NUMBER	PART NUMBER	REQ'D NUMBER				
				H-3	J-1	J-2		
1	Fitting (J)	Brass	310977-01	1	1	1		
2	Taper Packing (A)	Sy.R	415715-01	2	2	2		
3	Nut - Fitting	Brass	415713-01	2	2	2		

E



FASTENER

- S1 - TRUSS HEAD MACHINE SCREW, STAINLESS, M4x16
- B1 - HEXAGON HEAD BOLT, STAINLESS, M6x40

HA

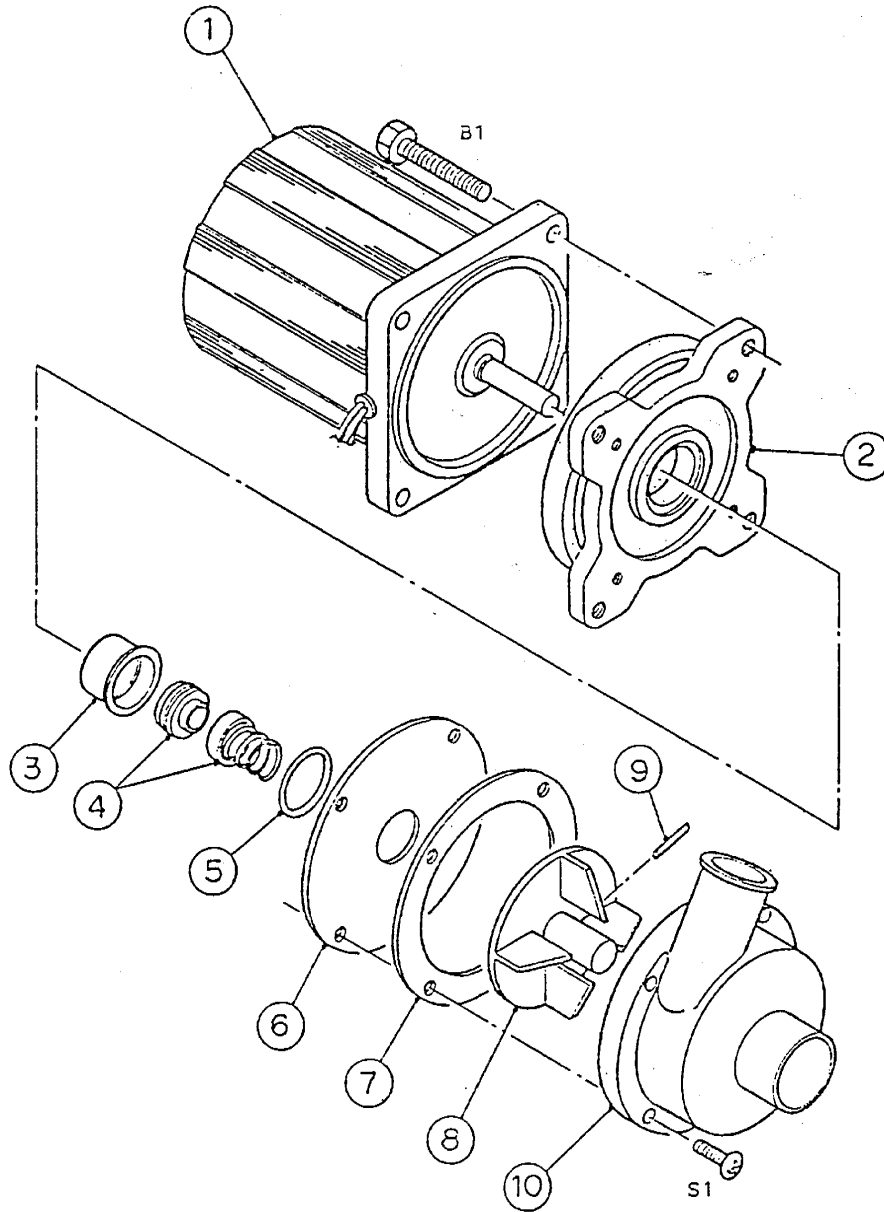
MODEL		TITLE						
KM-1201DU, DWU		J. WATER PUMP (A) ASSEMBLY						
INDEX NO.	DESCRIPTION	MATERIAL OR MODEL NUMBER	PART NUMBER	REQ'D NUMBER				
				F-1	G-1	G-2	H-1	H-2
1	Pump Motor	9IK60SP-10	2U0073-01	1	1	1	1	1
2	Flange	Aluminum	318047-01	1	1	1	1	1
3	Retainer	S.S	428544-01	1	1	1	1	1
4	Mechanical Seal	H5-PN, 8mm	428545-01	1	1	1	1	1
5	"O" Ring	1AP22	7611-P022	1	1	1	1	1
6	Flange - "O" Ring	S.S	428546-01	1	1	1	1	1
7	Packing	SBR	428547-01	1	1	1	1	1
8	Impeller	ABS	428548-01	1	1	1	1	1
9	Pin	S.S	414102-01	1	1	1	1	1
10	Pump Housing	ABS	209467-01	1	1	1	1	1

E

HA

MODEL		TITLE						
KM-1201DU, DWU		J. WATER PUMP (A) ASSEMBLY						
INDEX NO.	DESCRIPTION	MATERIAL OR MODEL NUMBER	PART NUMBER	REQ'D NUMBER				
				H-3	J-1			
1	Pump Motor	9IK60SP-10	2U0073-01	1	1			
2	Flange	Aluminum	318047-01	1	1			
3	Retainer	S.S	428544-01	1	1			
4	Mechanical Seal	H5-PN, 8mm	428545-01	1	1			
5	"O" Ring	1AP22	7611-P022	1	1			
6	Flange - "O" Ring	S.S	428546-01	1	1			
7	Packing	SBR	428547-01	1	1			
8	Impeller	ABS	428548-01	1	1			
9	Pin	S.S	414102-01	1	1			
10	Pump Housing	ABS	209467-01	1	1			

E



FASTENER

- S1 - TRUSS HEAD MACHINE SCREW, STAINLESS, M4x16
- B1 - HEXAGON HEAD BOLT, STAINLESS, M6x40

HA

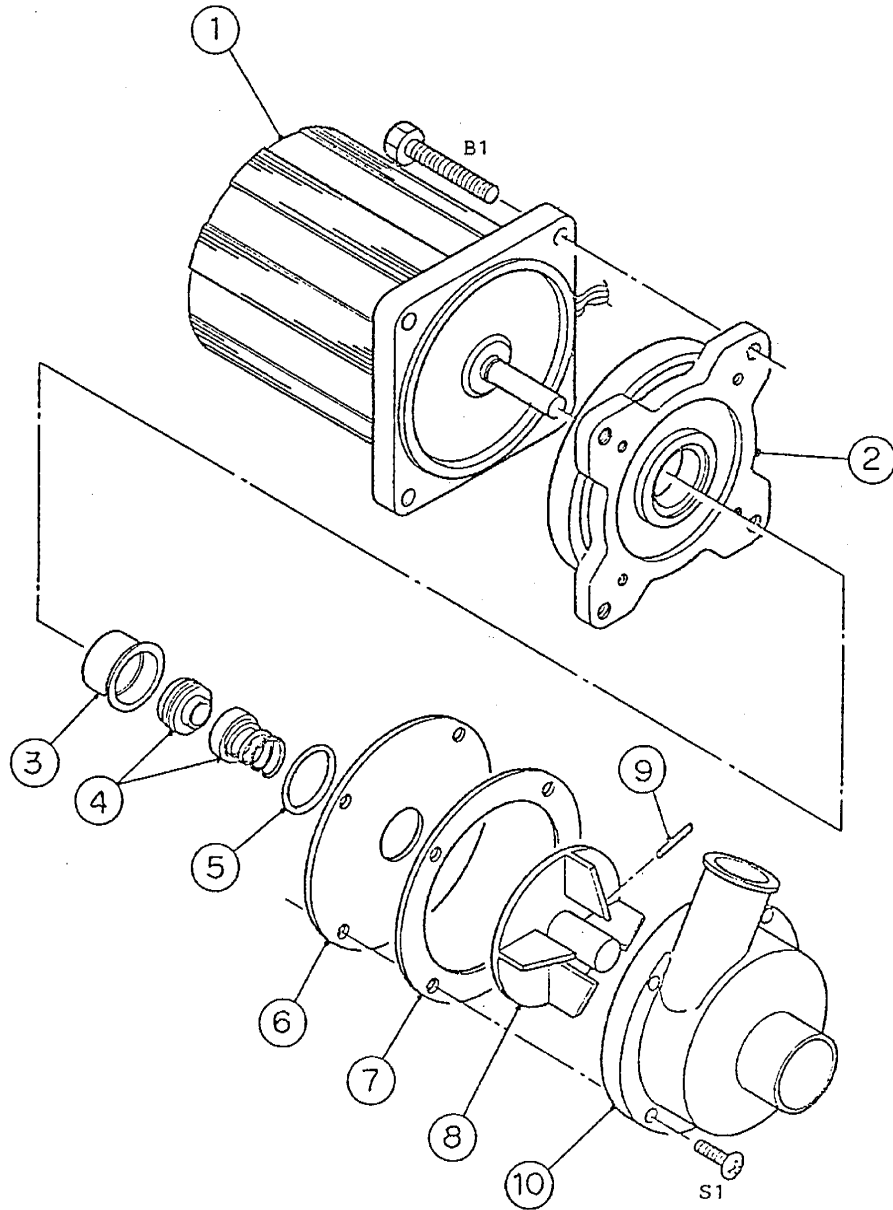
MODEL		TITLE						
KM-1201DSU		J. WATER PUMP (A) ASSEMBLY						
INDEX NO.	DESCRIPTION	MATERIAL OR MODEL NUMBER	PART NUMBER	REQ'D NUMBER				
				F-1	G-1	G-2	H-1	H-2
1	Pump Motor	9IK6OSP-10	2U0073-01	1	1	1	1	1
2	Flange	Aluminum	318047-01	1	1	1	1	1
3	Retainer	S.S	428544-01	1	1	1	1	1
4	Mechanical Seal	H5-PN, 8mm	428545-01	1	1	1	1	1
5	"O" Ring	1AP22	7611-P022	1	1	1	1	1
6	Flange - "O" Ring	S.S	428546-01	1	1	1	1	1
7	Packing	SBR	428547-01	1	1	1	1	1
8	Impeller	ABS	428548-01	1	1	1	1	1
9	Pin	S.S	414102-01	1	1	1	1	1
10	Pump Housing	ABS	209467-01	1	1	1	1	1

E

HA

MODEL		TITLE					
KM-1201DSU		J. WATER PUMP (A) ASSEMBLY					
INDEX NO.	DESCRIPTION	MATERIAL OR MODEL NUMBER	PART NUMBER	REQ'D NUMBER			
				H-3	J-1	J-2	
1	Pump Motor	9IK60SP-10	2U0073-01	1	1	1	
2	Flange	Aluminum	318047-01	1	1	1	
3	Retainer	S.S	428544-01	1	1	1	
4	Mechanical Seal	H5-PN, 8mm	428545-01	1	1	1	
5	"O" Ring	1AP22	7611-P022	1	1	1	
6	Flange - "O" Ring	S.S	428546-01	1	1	1	
7	Packing	SBR	428547-01	1	1	1	
8	Impeller	ABS	428548-01	1	1	1	
9	Pin	S.S	414102-01	1	1	1	
10	Pump Housing	ABS	209467-01	1	1	1	

E



FASTENER

- S1 - TRUSS HEAD MACHINE SCREW, STAINLESS, M4x16
- B1 - HEXAGON HEAD BOLT, STAINLESS, M6x40

HA

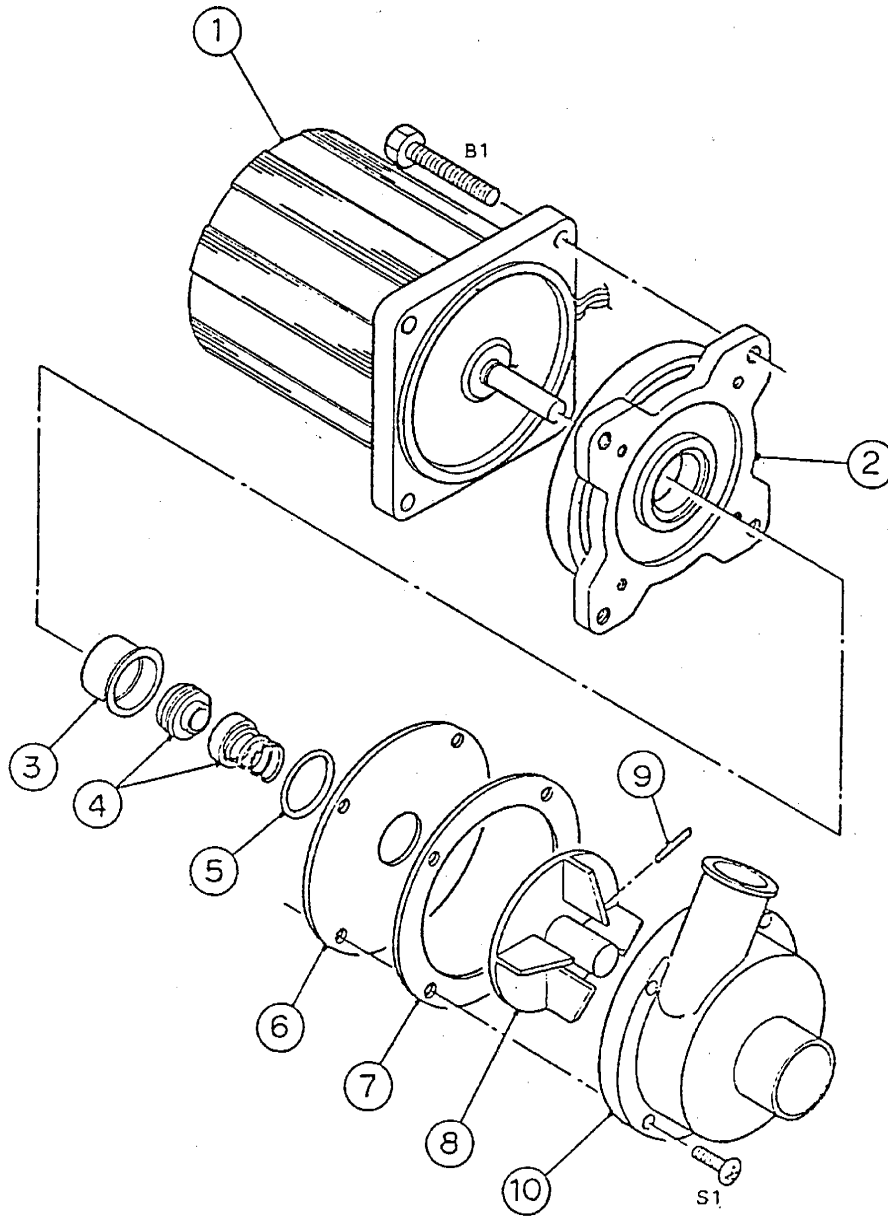
MODEL		TITLE						
KM-1201DU, DWU		K. WATER PUMP (B) ASSEMBLY						
INDEX NO.	DESCRIPTION	MATERIAL OR MODEL NUMBER	PART NUMBER	REQ'D NUMBER				
				F-1	G-1	G-2	H-1	H-2
1	Pump Motor	9IK6OSP-10	2U0073-01	1	1	1	1	1
2	Flange	Aluminum	318047-01	1	1	1	1	1
3	Retainer	S.S	428544-01	1	1	1	1	1
4	Mechanical Seal	H5-PN, 8mm	428545-01	1	1	1	1	1
5	"O" Ring	1AP22	7611-P022	1	1	1	1	1
6	Flange - "O" Ring	S.S	428546-01	1	1	1	1	1
7	Packing	SBR	428547-01	1	1	1	1	1
8	Impeller	ABS	428548-01	1	1	1	1	1
9	Pin	S.S	414102-01	1	1	1	1	1
10	Pump Housing	ABS	209467-01	1	1	1	1	1

E

HA

MODEL		TITLE						
KM-1201DU, DWU		K. WATER PUMP (B) ASSEMBLY						
INDEX NO.	DESCRIPTION	MATERIAL OR MODEL NUMBER	PART NUMBER	REQ'D NUMBER				
				H-3	J-1			
1	Pump Motor	9IK60SP-10	2U0073-01	1	1			
2	Flange	Aluminum	318047-01	1	1			
3	Retainer	S.S	428544-01	1	1			
4	Mechanical Seal	H5-PN, 8mm	428545-01	1	1			
5	"O" Ring	1AP22	7611-P022	1	1			
6	Flange - "O" Ring	S.S	428546-01	1	1			
7	Packing	SBR	428547-01	1	1			
8	Impeller	ABS	428548-01	1	1			
9	Pin	S.S	414102-01	1	1			
10	Pump Housing	ABS	209467-01	1	1			

E



FASTENER

- S1 - TRUSS HEAD MACHINE SCREW, STAINLESS, M4x16
- B1 - HEXAGON HEAD BOLT, STAINLESS, M6x40

HA

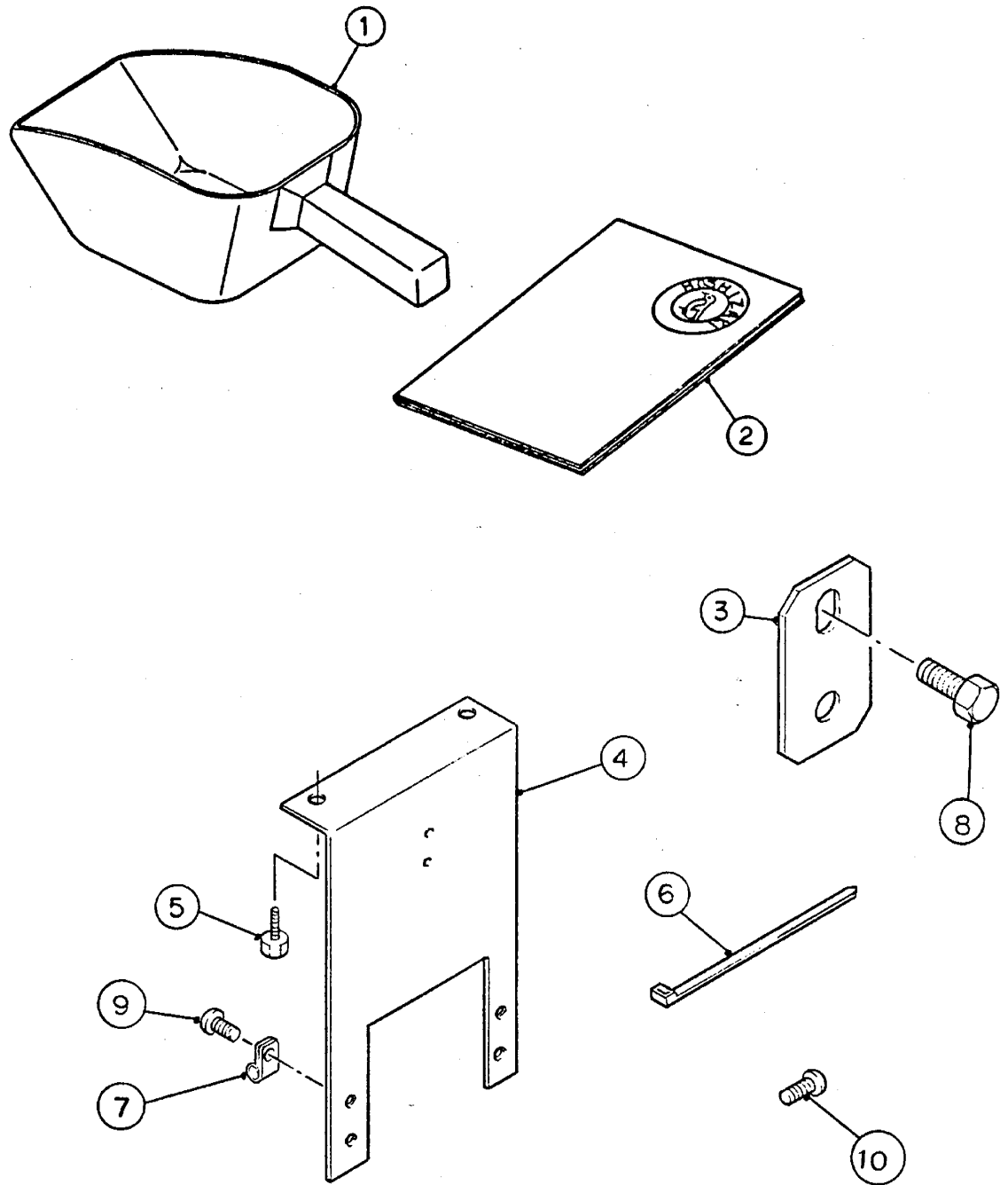
MODEL		TITLE						
KM-1201DSU		K. WATER PUMP (B) ASSEMBLY						
INDEX NO.	DESCRIPTION	MATERIAL OR MODEL NUMBER	PART NUMBER	REQ'D NUMBER				
				F-1	G-1	G-2	H-1	H-2
1	Pump Motor	9IK60SP-10	2U0073-01	1	1	1	1	1
2	Flange	Aluminum	318047-01	1	1	1	1	1
3	Retainer	S.S	428544-01	1	1	1	1	1
4	Mechanical Seal	H5-PN, 8mm	428545-01	1	1	1	1	1
5	"O" Ring	1AP22	7611-P022	1	1	1	1	1
6	Flange - "O" Ring	S.S	428546-01	1	1	1	1	1
7	Packing	SBR	428547-01	1	1	1	1	1
8	Impeller	ABS	428548-01	1	1	1	1	1
9	Pin	S.S	414102-01	1	1	1	1	1
10	Pump Housing	ABS	209467-01	1	1	1	1	1

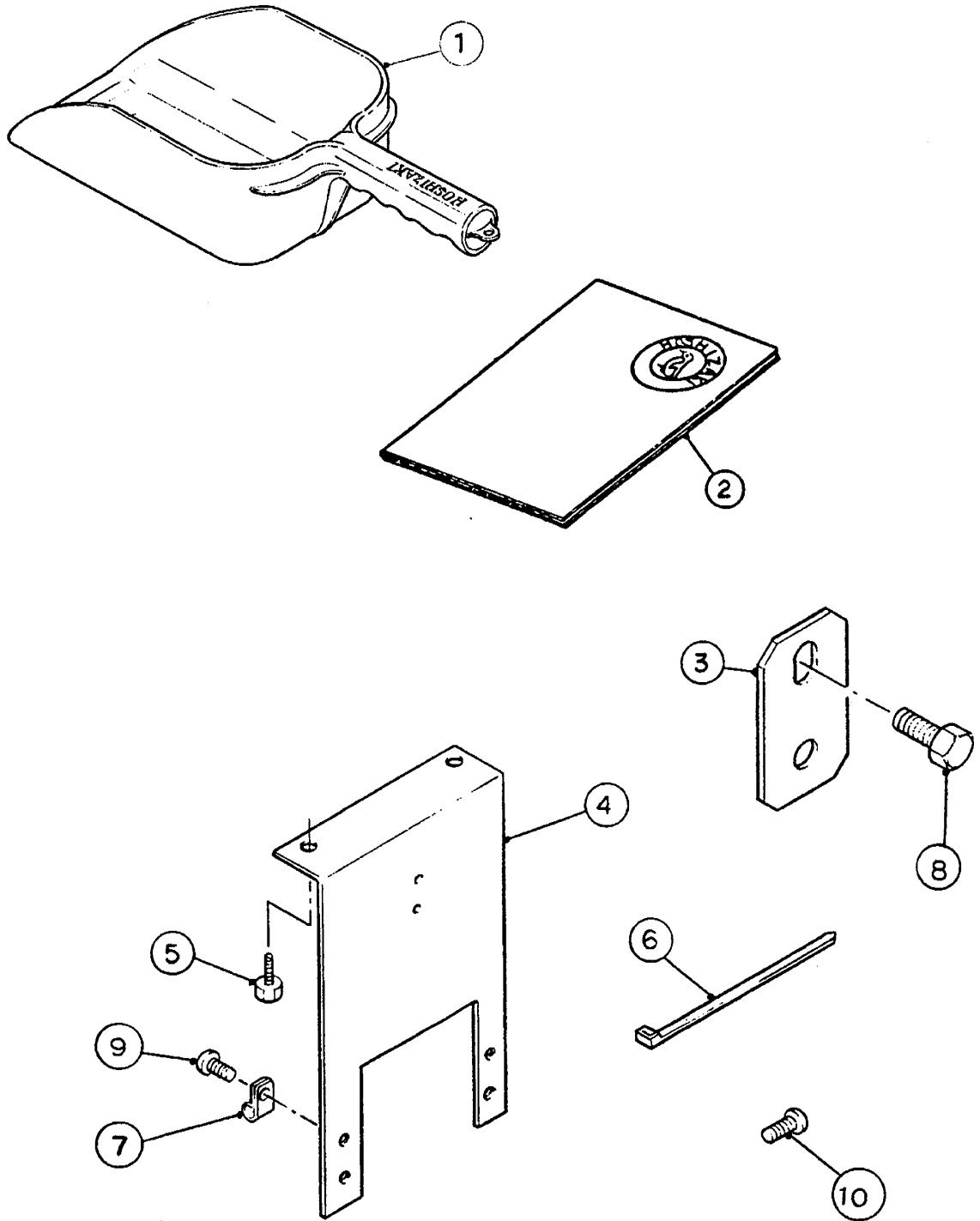
E

HA

MODEL		TITLE					
KM-1201DSU		K. WATER PUMP (B) ASSEMBLY					
INDEX NO.	DESCRIPTION	MATERIAL OR MODEL NUMBER	PART NUMBER	REQ'D NUMBER			
				H-3	J-1	J-2	
1	Pump Motor	9IK60SP-10	2U0073-01	1	1	1	
2	Flange	Aluminum	318047-01	1	1	1	
3	Retainer	S.S	428544-01	1	1	1	
4	Mechanical Seal	H5-PN, 8mm	428545-01	1	1	1	
5	"O" Ring	1AP22	7611-P022	1	1	1	
6	Flange - "O" Ring	S.S	428546-01	1	1	1	
7	Packing	SBR	428547-01	1	1	1	
8	Impeller	ABS	428548-01	1	1	1	
9	Pin	S.S	414102-01	1	1	1	
10	Pump Housing	ABS	209467-01	1	1	1	

E





HA

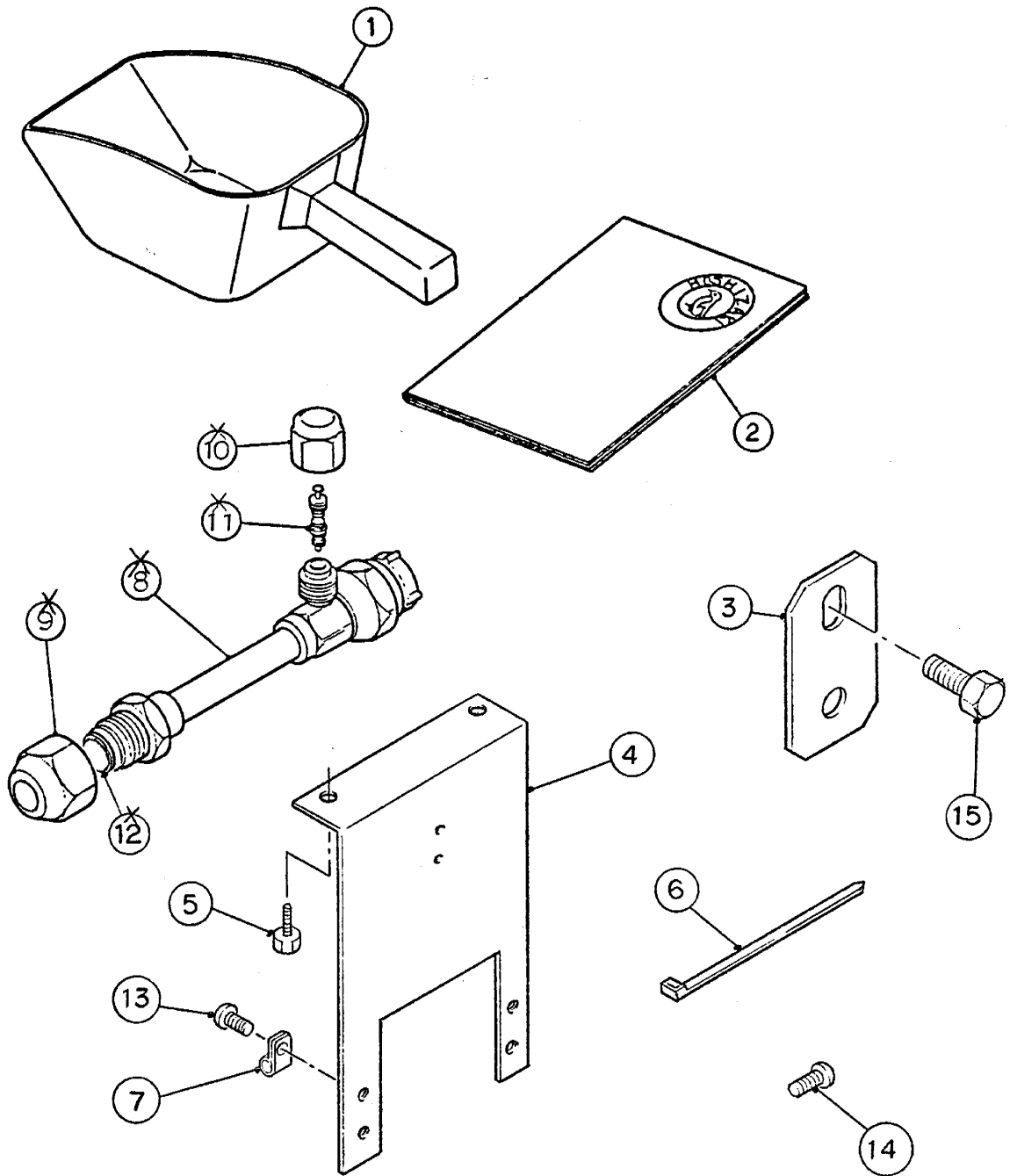
MODEL		TITLE						
KM-1201DU, DWU		L. ACCESSORIES						
INDEX NO.	DESCRIPTION	MATERIAL OR MODEL NUMBER	PART NUMBER	REQ'D NUMBER				
				F-1	G-1	G-2	H-1	H-2
1	Scoop	PE	208185-01	1	1	1	1	1
2	Instruction Manual	Paper	91UIJD10A	1	1	1	1	1
3	Bracket	S.S	428579-01	2	2	2	2	2
4	Bracket - Bulb	S.S	428657-01	1	1	1	1	1
5	Thumbscrew	S.S, ABS	415949G04	2	2	2	2	2
6	Tie	CV-100	7920-0002	1	1	1	1	1
7	Clamp	NK-2N	418814-01	2	2	2	2	2
8	Hexagon Head Bolt	S.S, M6x12	-	4	4	4	4	4
9	Truss Head Machine Screw	S.S, M4x6	-	2	2	2	2	2
10	Truss Head Machine Screw	S.S, M4x8	-	2	2	2	2	2

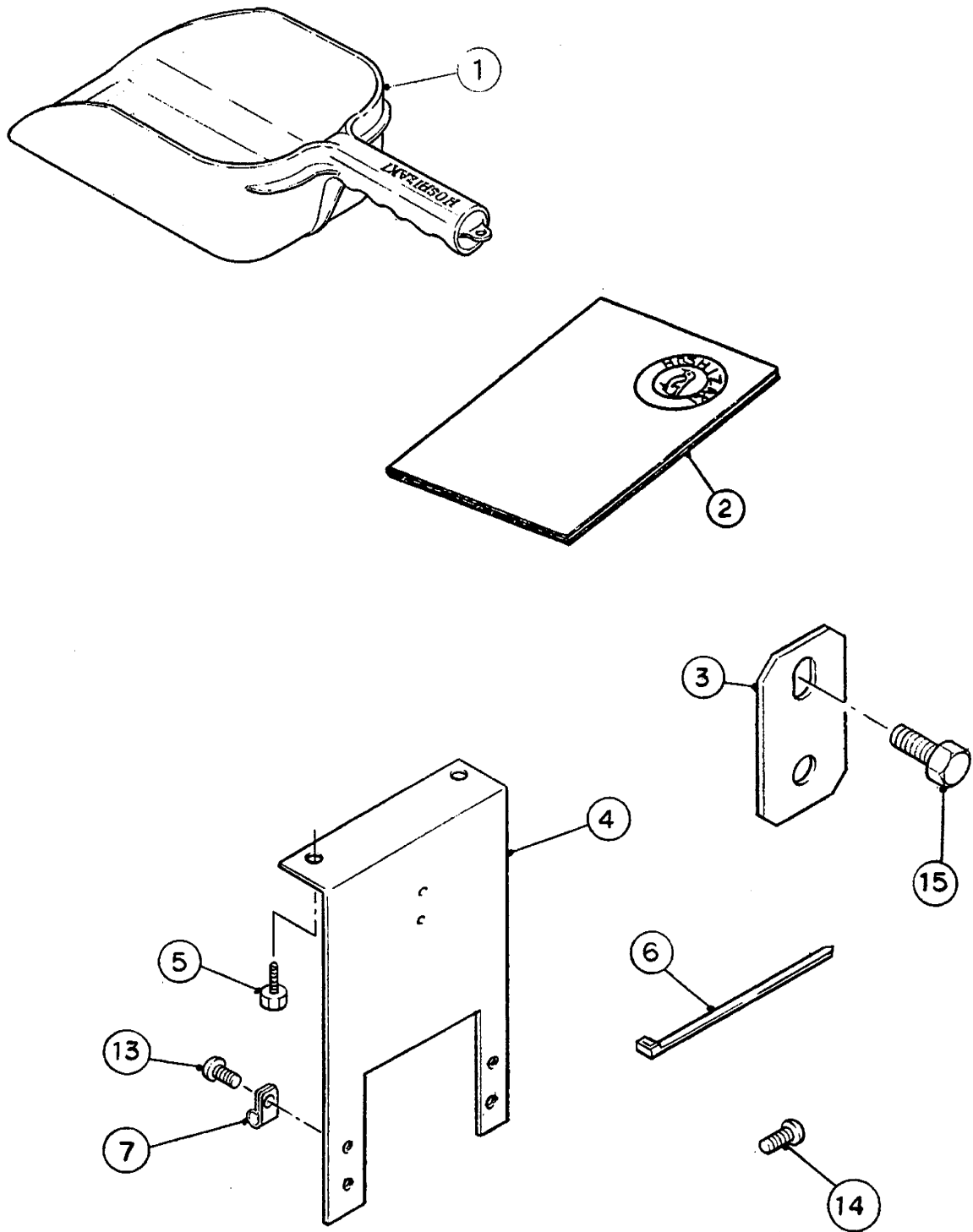
E

HA

MODEL		TITLE						
KM-1201DU, DWU		L. ACCESSORIES						
INDEX NO.	DESCRIPTION	MATERIAL OR MODEL NUMBER	PART NUMBER	REQ'D NUMBER				
				H-3	J-1			
1	Scoop	PE	208185-01	1	X			
		PS	437625-01		①			
2	Instruction Manual	Paper	91UIJD10A	1	1			
3	Bracket	S.S	428579-01	2	2			
4	Bracket - Bulb	S.S	428657-01	1	1			
5	Thumbscrew	S.S, ABS	415949G04	2	2			
6	Tie	CV-100	7920-0002	1	1			
7	Clamp	NK-2N	418814-01	2	2			
8	Hexagon Head Bolt	S.S, M6x12	-	4	4			
9	Truss Head Machine Screw	S.S, M4x6	-	2	2			
10	Truss Head Machine Screw	S.S, M4x8	-	2	2			

E





HA

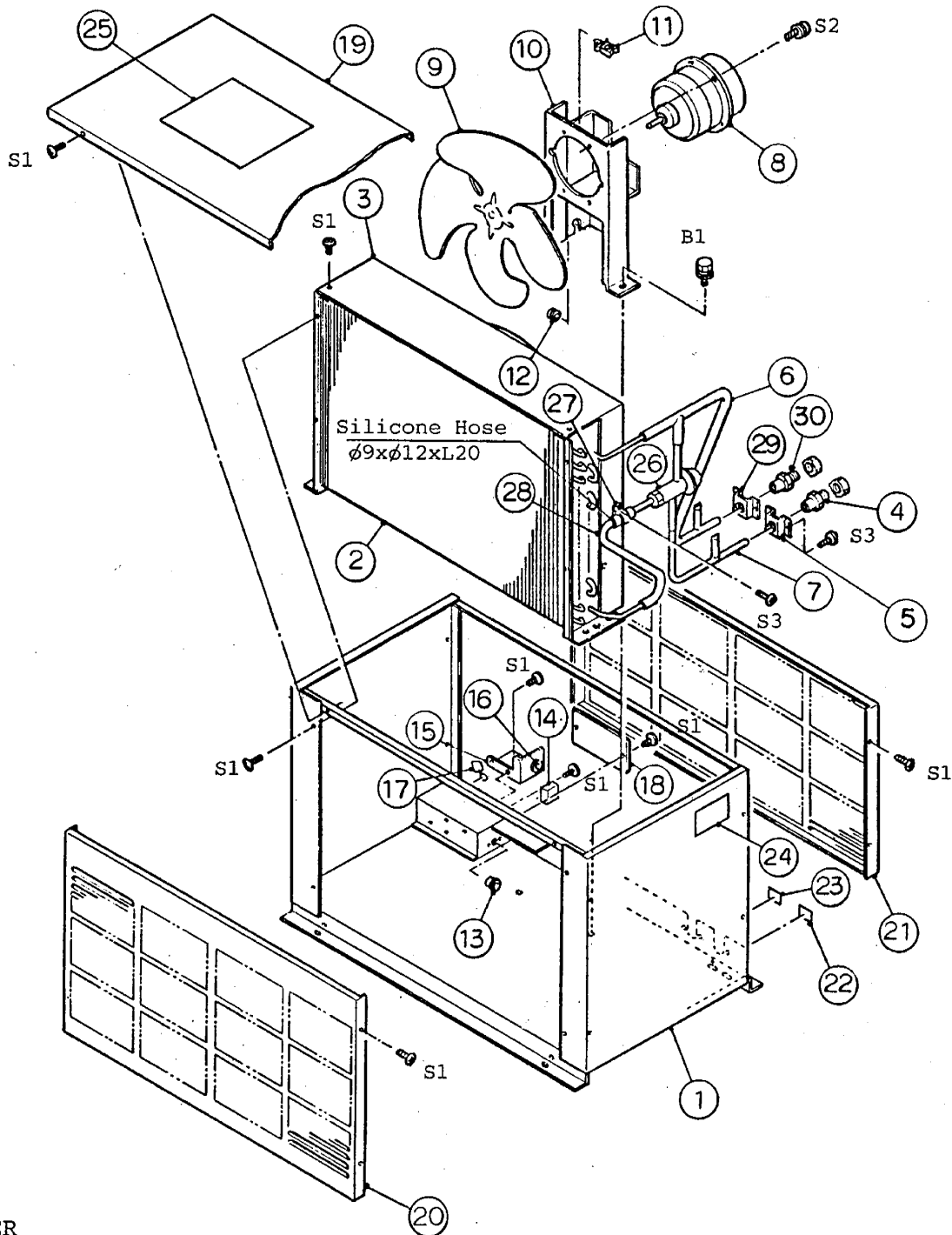
MODEL		TITLE			REQ'D NUMBER				
KM-1201DSU		L. ACCESSORIES			F-1	G-1	G-2	H-1	H-2
INDEX NO.	DESCRIPTION	MATERIAL OR MODEL NUMBER	PART NUMBER	F-1	G-1	G-2	H-1	H-2	
1	Scoop	PE	208185-01	1	1	1	1	1	
2	Instruction Manual	Paper	91UIJD10A	1	1	1	1	1	
3	Bracket	S.S	428579-01	2	2	2	2	2	
4	Bracket - Bulb	S.S	428657-01	1	1	1	1	1	
5	Thumbscrew	S.S, ABS	415949G04	2	2	2	2	2	
6	Tie	CV-100	7920-0002	1	1	1	1	1	
7	Clamp	NK-2N	418814-01	2	2	2	2	2	
8	Female Coupling (B)	} (S-0548) 421676A02	421675G01	1	1	1	1	1	
9	Flare Nut		403695-01	1	1	1	1	1	
10	Cap		421672-01	1	1	1	1	1	
11	Valve Core		421671-01	1	1	1	1	1	
12	Cap - Flared		418295-01	1	1	1	1	1	
13	Truss Head Machine Screw	S.S, M4x6	-	2	2	2	2	2	
14	Truss Head Machine Screw	S.S, M4x8	-	2	2	2	2	2	
15	Hexagon Head Bolt	S.S, M4x12	-	4	4	4	4	4	

E

HA

MODEL		TITLE					
KM-1201DSU		L. ACCESSORIES					
INDEX NO.	DESCRIPTION	MATERIAL OR MODEL NUMBER	PART NUMBER	REQ'D NUMBER			
				H-3	J-1	J-2	
1	Scoop	PE	208185-01	1	1	X	
		PS	437625-01			①	
2	Instruction Manual	Paper	91UIJD10A	1	1	1	
3	Bracket	S.S	428579-01	2	2	2	
4	Bracket - Bulb	S.S	428657-01	1	1	1	
5	Thumbscrew	S.S, ABS	415949G04	2	2	2	
6	Tie	CV-100	7920-0002	1	1	1	
7	Clamp	NK-2N	418814-01	2	2	2	
8	Female Coupling (B)	} (S-0548) 421676A02	421675G01	1	1	-	
9	Flare Nut		403695-01	1	1	-	
10	Cap		421672-01	1	1	-	
11	Valve Core		421671-01	1	1	-	
12	Cap - Flared		418295-01	1	1	-	
13	Truss Head Machine Screw	S.S, M4x6	-	2	2	2	
14	Truss Head Machine Screw	S.S, M4x8	-	2	2	2	
15	Hexagon Head Bolt	S.S, M4x12	-	4	4	4	

E



FASTENER

S1 - TRUSS HEAD TAPPING SCREW, M4x8

S2 - PAN HEAD SCREW AND SPRING WASHER + PLAIN WASHER ASSY, M4x12

S3 - TRUSS HEAD MACHINE SCREW, STAINLESS, M4x8

B1 - HEXAGON BOLT AND SPRING WASHER + PLAIN WASHER ASSY, STAINLESS, M5x12

HA

MODEL		TITLE							
CONENSER UNIT S-0454		M. CONDENSER UNIT							
INDEX NO.	DESCRIPTION	MATERIAL OR MODEL NUMBER	PART NUMBER	REQ'D NUMBER					
				F-1	G-1	G-2	H-1	H-2	
1	Frame - Unit	G.S	318035G01	1	1	1	1	1	
2	Condenser - Air-cooled	-	210250-01	1	1	1	1	1	
3	Shroud	G.S	209462-01	1	-	-	-	-	
			209462-02		1	1	1	1	
4	Coupling (Male)	5782-6-6	426554-01	2	2	2	2	2	
5	Bracket - Tube	G.S	425507-01	2	2	2	2	2	
6	Pipe (A)	Copper	428542G01	1	1	1	1	1	
7	Pipe (B-1)	Copper	428543G01	1	-	-	-	-	
			428543-01		1	1	1	1	
8	Fan Motor	IJ40132	2U0064-02	1	-	-	-	-	
		EP-TZ56 (A)	2U0090-02		1	1	1	1	
9	Fan Blade	320mm	425313-01	1	-	-	-	-	
		FW-30PHL	417068-01		1	1	1	1	
10	Bracket - Fan Motor	G.S	318052G01	1	-	-	-	-	
			318052G02		1	1	1	1	
11	Wire Saddle	LWS-2NS	428060-03	2	-	-	-	-	
		WS-2NS	427007-02		2	2	2	2	
12	Bushing	OCB-750	428394-01	1	1	1	1	1	
13	Bushing	SB-625-8	420470-01	1	1	1	1	1	
14	Capacitor	6 μ F, 220V	427076-01	1	-	-	-	-	
			431928-01		1	1	1	1	
15	Barrier	G.S	428539-01	1	1	1	1	1	
16	Bushing	SR-4K-4	420472-01	1	1	1	1	1	
17	Tag - Fan Motor Leads	Paper	420742-01	1	1	1	1	1	
18	Cover - Box	G.S	425986-01	1	1	1	1	1	
19	Top Panel	G.S	425985-01	1	1	1	1	1	
20	Cover - Unit	G.S	209464-01	1	1	1	1	1	
21	Cover - Unit	G.S	209464-02	1	1	1	1	1	
22	Label - Arrow, "OUT"	PETP Film	420743-01	1	1	1	1	1	
23	Label - Arrow, "IN"	PETP Film	420743-02	1	1	1	1	1	
24	Nameplate	PES Film	430941-01	1	1	1	-	-	
			435738-01				1	1	
25	Instruction Sheet - Inst.	Paper	209607-01	1	1	1	1	1	
26	Condensing Pressure Regulator	DBC-Y30-HD-1	428637-01	1	1	1	1	1	

E

HA

MODEL		TITLE						
CONDENSER UNIT S-0454		M. CONDENSER UNIT						
INDEX NO.	DESCRIPTION	MATERIAL OR MODEL NUMBER	PART NUMBER	REQ'D NUMBER				
				H-3	J-1			
1	Frame - Unit	G.S	318035G01	1	-			
			318035G03		1			
2	Condenser - Air-cooled	-	210250-01	1	1			
3	Shroud	G.S	209462-02	1	1			
4	Coupling (Male)	5782-6-6	426554-01	2	2			
5	Bracket - Tube	G.S	425507-01	2	2			
6	Pipe (A)	Copper	428542G01	1	-			
			428542G02		1			
7	Pipe (B-1)	Copper	428543-01	1	1			
8	Fan Motor	EP-TZ56(A)	2U0090-02	1	1			
9	Fan Blade	FW-30PHL	417068-01	1	1			
10	Bracket - Fan Motor	G.S	318052G02	1	1			
11	Wire Saddle	WS-2NS	427007-02	2	2			
12	Bushing	OCB-750	428394-01	1	1			
13	Bushing	SB-625-8	420470-01	1	1			
14	Capacitor	6 μ F, 220V	431928-01	1	1			
15	Barrier	G.S	428539-01	1	1			
16	Bushing	SR-4K-4	420472-01	1	1			
17	Tag - Fan Motor Leads	Paper	420742-01	1	1			
18	Cover - Box	G.S	425986-01	1	1			
19	Top Panel	G.S	425985-01	1	1			
20	Cover - Unit	G.S	209464-01	1	1			
21	Cover - Unit	G.S	209464-02	1	1			
22	Label - Arrow, "OUT"	PETP Film	420743-01	1	1			
23	Label - Arrow, "IN"	PETP Film	420743-02	1	1			
24	Nameplate	PES Film	435738-01	1	1			
25	Instruction Sheet - Inst.	Paper	209607-01	1	1			
26	Condensing Pressure Regulator	DBC-Y30-HD-1	428637-01	1	1			

E

HA

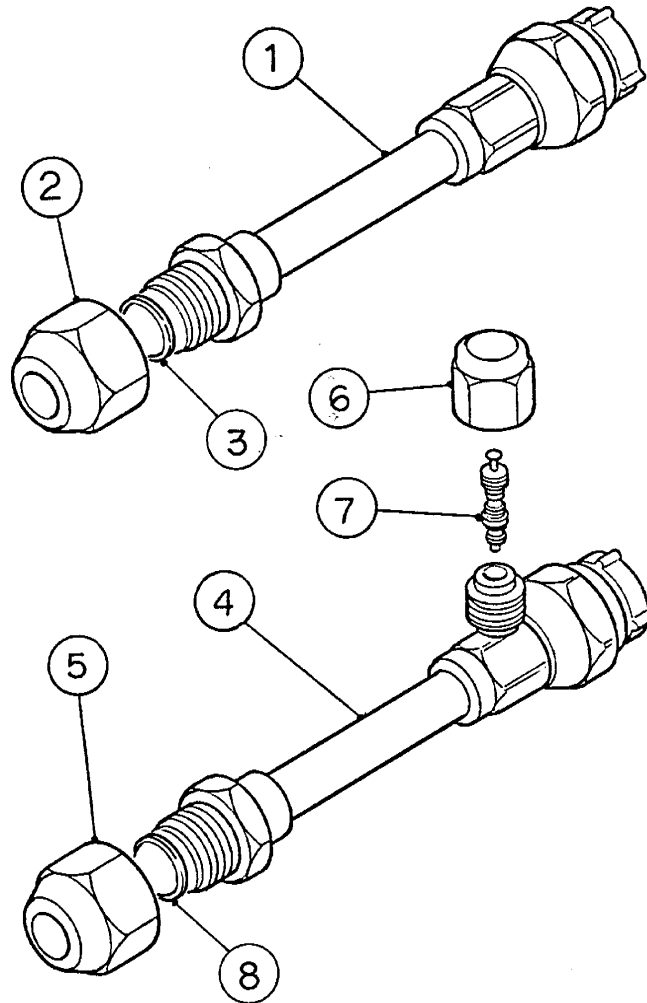
MODEL		TITLE						
CONDENSER UNIT S-0454		M. CONDENSER UNIT						
INDEX NO.	DESCRIPTION	MATERIAL OR MODEL NUMBER	PART NUMBER	REQ'D NUMBER				
				F-1	G-1	G-2	H-1	H-2
27	Strap	G.S	416877-01	1	1	1	1	1
28	Pipe (C)	Copper	428803-01	1	1	1	1	1

E

HA

MODEL		TITLE					
CONDENSER UNIT S-0454		M. CONDENSER UNIT					
INDEX NO.	DESCRIPTION	MATERIAL OR MODEL NUMBER	PART NUMBER	REQ'D NUMBER			
				H-3	J-1		
27	Strap	G.S	416877-01	1	1		
28	Pipe (C)	Copper	428803-01	1	1		
29	Tube Holder	G.S	434104-01		1		
30	Coupling (MA)	5782-8-10	434072-01		1		

E



HA

MODEL		TITLE							
CONENSER UNIT S-0454		N. ACCESSORIES							
INDEX NO.	DESCRIPTION	MATERIAL OR MODEL NUMBER	PART NUMBER	REQ'D NUMBER					
				F-1	G-1	G-2	H-1	H-2	
1	Coupling (Female)	} (S-0371) 421678A01	421674G01	1	1	1	1	1	
2	Flare Nut		403695-01	1	1	1	1	1	
3	Cap - Flared		418295-02	1	1	1	1	1	
4	Coupling (Female)	} (S-0372) 421676A01	421675G01	1	1	1	1	1	
5	Flare Nut		403695-01	1	1	1	1	1	
6	Cap		421672-01	1	1	1	1	1	
7	Valve Core		421671-01	1	1	1	1	1	
8	Cap - Flared		418295-02	1	1	1	1	1	

E

HA

MODEL		TITLE					
CONDENSER UNIT S-0454		N. ACCESSORIES					
INDEX NO.	DESCRIPTION	MATERIAL OR MODEL NUMBER	PART NUMBER	REQ'D NUMBER			
				H-3	J-1		
1	Coupling (Female)	} (S-0371) 421678A01	421674G01	1	-		
2	Flare Nut		403695-01	1	-		
3	Cap - Flared		418295-02	1	-		
4	Coupling (Female)	} (S-0372) 421676A01	421675G01	1	-		
5	Flare Nut		403695-01	1	-		
6	Cap		421672-01	1	-		
7	Valve Core	} 421676A01	421671-01	1	-		
8	Cap - Flared		418295-02	1	-		

E

MODULAR CRESCENT CUBER

**MODEL
KM-1201 SERIES**

PARTS LIST

ISSUED: APR. 20, 1986
REVISED: NOV. 27, 1989
PRINTED: DEC. 19, 1994
ITEM NO: 71060