

---

NO. 71079

ISSUED: APRIL 12, 1993

REVISED: MAY 31, 2000

---



**HOSHIZAKI  
MODULAR CRESCENT CUBER**

**MODEL**

**KM-1200MAE**

**KM-1200MWE**

**KM-1200MRE**

**(FINAL) PARTS LIST**

HA

**KM-1200MAE**

C-0 May, 1993  
C-1 July, 1993  
D-0 Dec., 1993  
D-1 Aug., 1994  
E-0 Dec., 1994  
E-1 April, 1995  
F-1 Dec, 1995  
F-2 Sept., 1996  
G-0 March, 1997  
G-1 June, 1997  
H-0 Dec., 1997  
H-2 June, 1998  
H-3 Oct., 1998  
J-0 Dec., 1998

**KM-1200MWE**

C-0 July, 1993  
D-1 Jan., 1994  
D-2 Aug. 1994  
E-0 Feb., 1995  
E-1 April, 1995  
F-0 May, 1996  
F-1 July, 1996  
F-2 Nov., 1996  
G-0 April, 1997  
G-1 Sept., 1997  
H-0 Jan., 1998  
H-1 May, 1998  
H-2 July, 1998  
J-0 Dec., 1998

**KM-1200MRE**

C-0 March, 1993  
C-1 Aug., 1993  
D-0 Dec., 1993  
D-1 July, 1994  
E-0 Jan., 1995  
E-1 April, 1995  
F-1 Dec., 1995  
F-2 Sept., 1996  
G-0 Dec., 1996  
G-1 July, 1997  
H-0 Dec., 1997  
H-1 May, 1998  
H-2 July, 1998  
H-3 Nov., 1998  
J-1 Jan., 1999

HA

## MATERIAL ABBREVIATIONS

### ALUMINUM

AL = Aluminum

### COPPER

CU = Copper

### PLASTIC

ABS = Acrylonitrile -butadiene - styrene  
AC = Polyacetal  
EVA = Ethylene vinyl acetate  
PA = Polyamide = Nylon  
PC = Polycarbonate  
PE = Polyethylene  
PES = Polyester  
PETP = Polyethylene terephthalate = Tetlon  
PP = Polypropylene  
PS = Polystyrene  
PTFE = Polytetrafluoroethylene = Teflon  
PUR = Polyurethane  
PVC = Polyvinyl chloride

### RUBBER

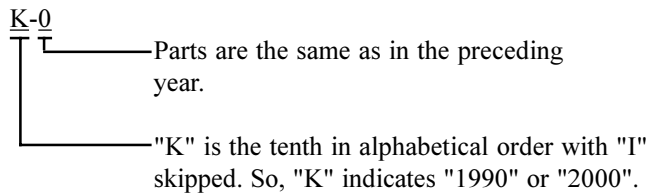
VN = Vinyl Nitrile  
EPDM = EP rubber  
NBR = Nitrile butadiene rubber  
NR = Natural rubber  
NP = Neoprene  
SI.R = Silicone rubber  
SY.R = Synthetic rubber  
EPH = Epichlorohydrin

### STEEL

GS = Galvanized steel  
SS = Stainless steel  
PS = Plated steel  
PAS = Primed steel

## AUXILIARY CODE

Ex.1

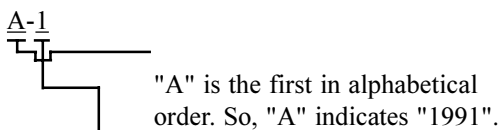


(Note) - = Part deleted.

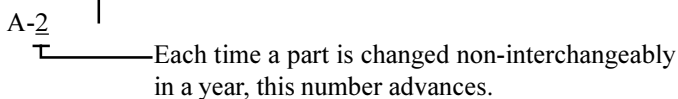
x = Part deleted and replaced by "o" part.

o = New part for "x" in the same auxiliary

Ex.2  
code.



Ex.3



**FASTENER ABBREVIATION LIST**

ST	Phillips Truss Machine Screw
SP	Phillips Pan Head Machine Screw
SF	Phillips Flat Head Machine Screw
SS	Phillips Pan Head Machine Screw with Split Lock Washer
SW	Phillips Pan Head Machine Screw with Split Lock Washer and Flat Washer
T1	Phillips Truss Head Tapping Screw (Correspond to Type A)
T2	Phillips Truss Head Tapping Screw (Correspond to Type B)
T3	Phillips Truss Head Tapping Screw (Correspond to Type C)
FT	Phillips Truss Head Tapping Screw (Special)
BH	Hexagon Head Bolt
BC	Socket Head Cap Screw
BS	Hexagon Bolt with Split Washer
BW	Hexagon Bolt with Split Washer and Flat Washer
BF	Hexagon Flange Bolt
BR	Cross-Recessed Hexagon Head Bolt
BRW	Cross-Recessed Hexagon Head Bolt with Split Lock Washer and Flat Washer
WL	Split Lock Washer
WT	External Tooth Washer
WF	Flat Washer
WS	Spring Washer
NH	Hexagon Nut
NF	Hexagon Flange Nut
NC	Hexagon Cap Nut
NS	Square Nut
NW	Wing Nut

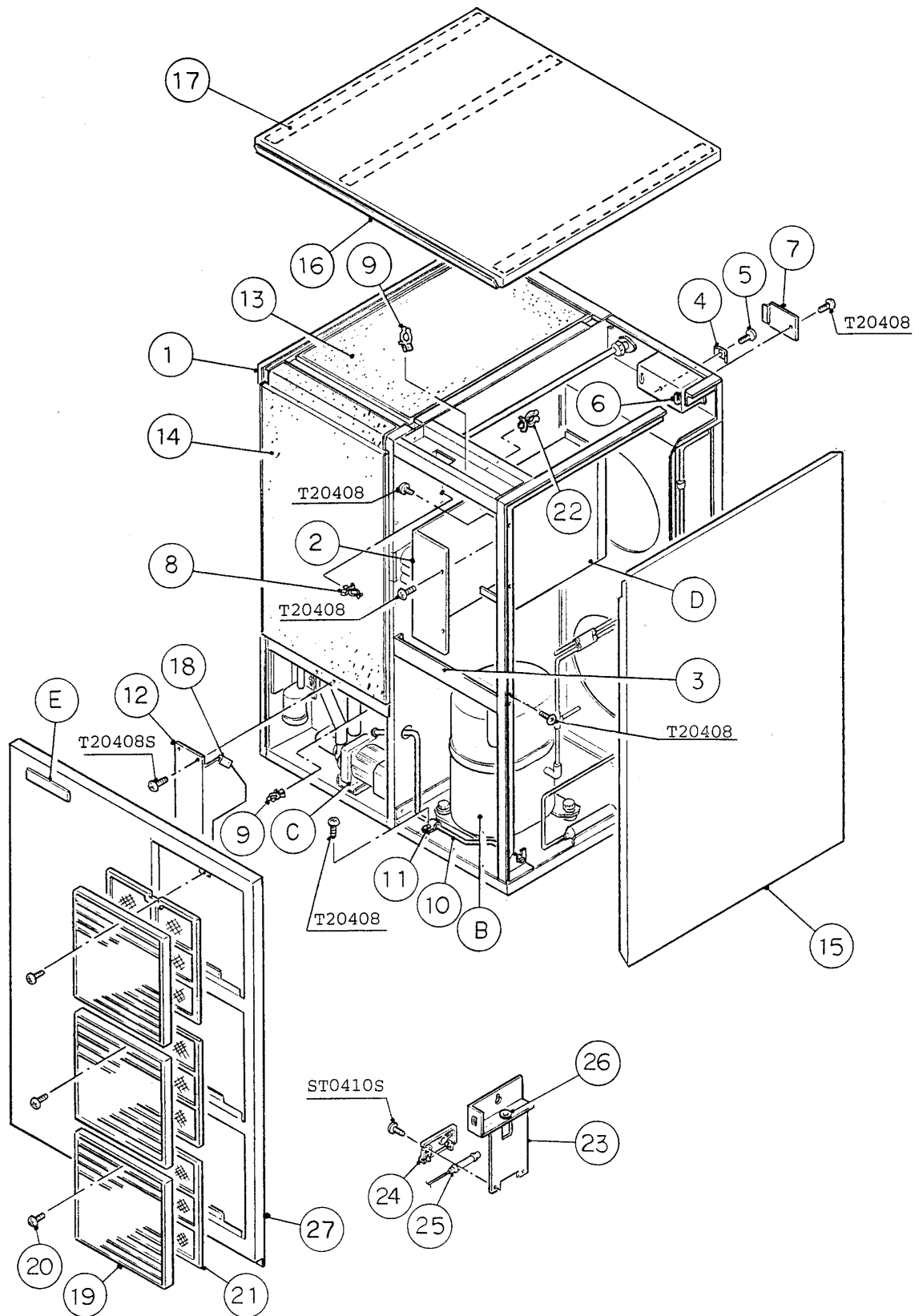
Ex. ST0308S (Phillips Truss Head Machine Screw  
3x8, made of stainless steel)

Material	None:	Plated Steel
Length (mm)	S:	Stainless Steel
Nominal Diameter (mm)	B:	Brass
Form of Head	P:	Plastic
Description		

(Note) Second character is numerical except toe list.

Ex. S1, S2, B3 etc.

And abbreviations and names are shown under the illustration.

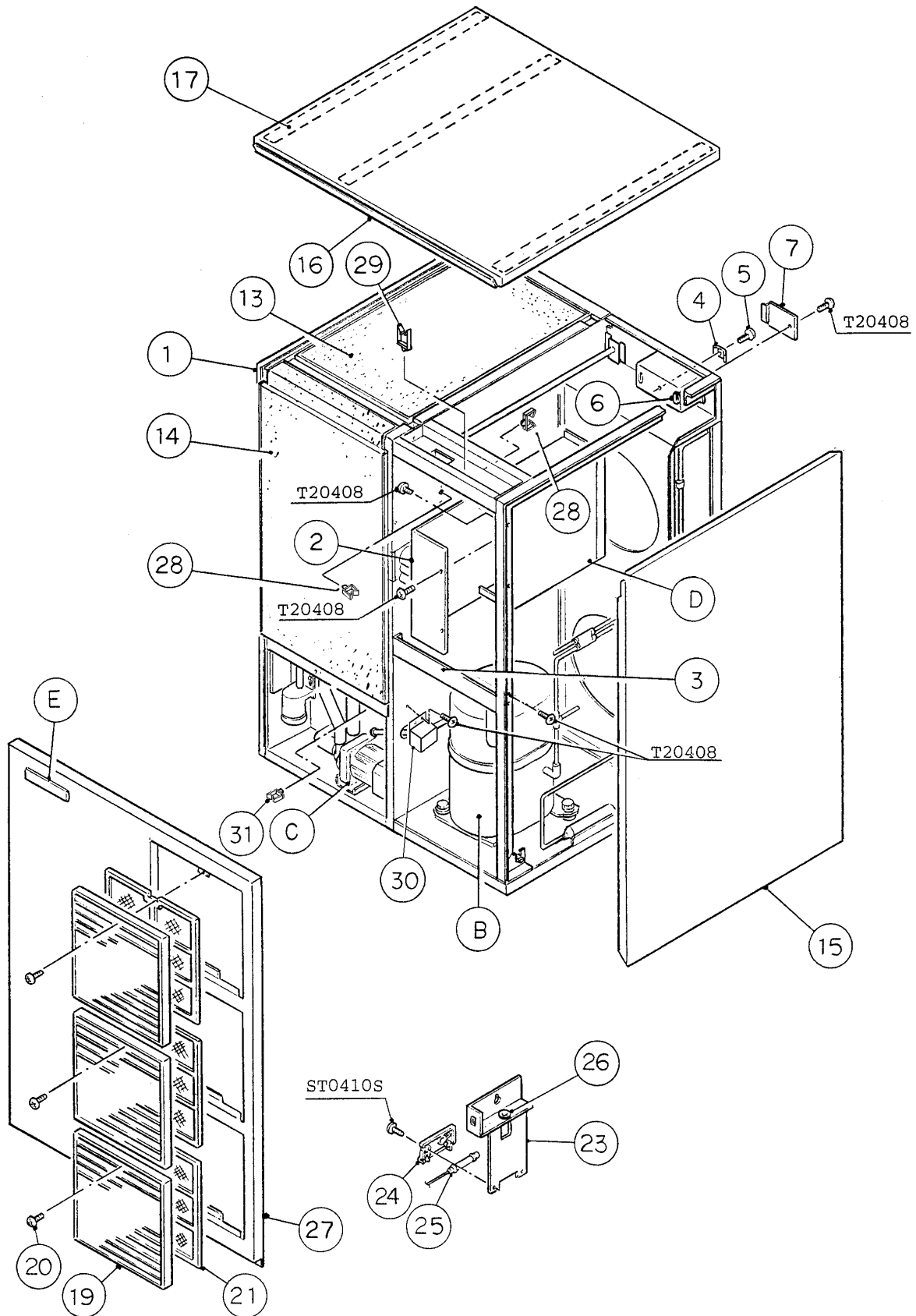


HA

KM-1200MAE

A. ICE CUBER ASSEMBLY

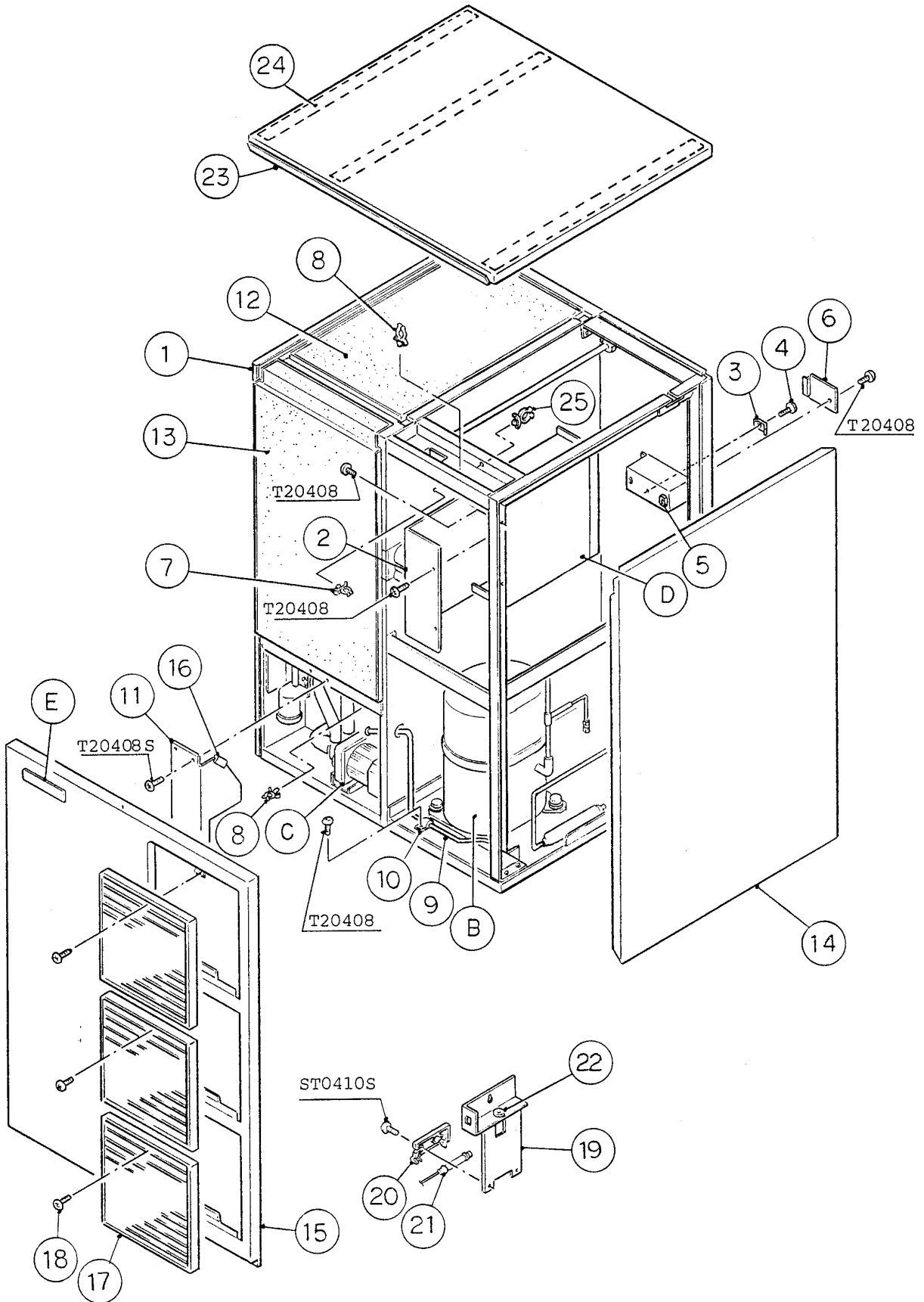
C-1, D-0, D-1, E-0, E-1, F-1, F-2  
G-0, F-1, H-0, H-2, H-3, J-0



MODEL: KM-1200MAE TITLE: A. ICE CUBER ASSEMBLY													
INDEX NO.	DESCRIPTION	MATERIAL OR MODEL NUMBER	PART NUMBER	REQUIRED NUMBER									
				C-0	C-1	D-0	D-1	E-1	F-1	G-0	H-0	H-3	J-0
B	REFRIGERATION CIRCUIT	-	106337A02	1	1	x1							
		-	2A0382A01			o1	1	-					
		-	2A0382A02					1	1	1	1	1	1
C	WATER CIRCUIT	-	105060A03	1	1	1	-						
		-	1A0094A01				1	x1					
		-	1A0094A02					o1	1	1	1	-	
		-	1A0094A04									1	1
D	CONTROL BOX ASSEMBLY	-	219071A10	1	1	1	1	1	1	1	1	-	
		-	219071A13									1	1
E	LABEL LOCATION	-	330639A01	1	1	1	1	1	1	1	1	-	
		-	330639A02									1	1
1	EVAP. CASE	-	105124G04	1	1	1	1	x1					
		-	105124G05					o1	1	1	1	-	
		-	105124G06									1	1
2	CONTROL BOX COVER	GS	3A0174-01	1	1	1	1	1	1	1	1	1	
3	FRAME (F)	GS	324093-01	1	1	1	1	1	1	1	1	1	
4	SQUARE WASHER	BRASS	433537-02	1	1	1	1	1	1	1	1	1	
5	SCREW - GROUNDING	BRASS	433304-02	1	1	1	1	1	1	1	1	1	
6	BUSHING	SR-34-2	420472-05	1	1	1	1	1	1	1	1	1	
7	JUNCTION BOX COVER	GS	433410-03	1	1	1	1	1	1	1	x1		
		GS	433410-01								o1	1	1
8	CLAMP	NO.249	427902-03	6	-								
9	CLAMP	NO. 248	427902-04	3	-								
10	CONDUIT	COPPER	435081-01	1	-								
11	CLAMP	GS	435124-01	1	-								
12	SEPARATOR	SS	322687-01	1	-								
13	TOP INSULATION	ABS, PE	322714G01	1	1	1	1	1	1	1	1	1	
14	FRONT INSULATION	ABS,PE	322711G01	1	1	1	1	1	1	1	1	1	
15	SIDE PANEL (R)	SS	212688G01	1	1	1	1	1	1	1	1	1	

MODEL: <b>KM-1200MAE</b> TITLE: <b>A. ICE CUBER ASSEMBLY</b>													
INDEX NO.	DESCRIPTION	MATERIAL OR MODEL NUMBER	PART NUMBER	REQUIRED NUMBER									
				C-0	C-1	D-0	D-1 E-0	E-1	F-1 F-2	G-0 G-1	H-0	H-2 H-3	J-0
16	TOP PANEL	(323836A01), SS	212687-01	1	1	1	1	1	1	1	1	1	1
17	GASKET	PVC	427014-04	3	3	3	3	3	3	3	3	3	3
18	EDGING	EE-12	435297-01	1	-								
19	LOUVER (B)	ABS	103121-03	3	3	3	3	3	3	3	3	3	3
20	TAPPING SCREW ( BLACK)	STEEL,4x8	433954-01	3	3	3	3	3	3	3	3	3	3
21	AIR FILTER (B)	ABS	208283G03	3	3	3	3	3	3	3	3	3	3
22	CLAMP	NO.4253	427902-05	1	-								
23	BULB HOLDER	SS	322815G02	1	1	1	1	1	1	1	1	1	1
24	BULB HOLDER	ABS	328919-01	1	1	1	1	1	1	1	1	1	1
25	SPACER	PE	443545-01	1	1	1	1	1	1	1	1	1	1
26	CAPILLARY RING	EPDM	425307-01	1	1	1	1	1	1	1	1	1	1
27	FRONT PANEL	SS	212685-01	1	1	1	1	1	1	1	1	1	1
28	WIRE SADDLE	VWS4274-C	4A0338-03		3	5	5	5	5	5	5	5	5
29	WIRE SADDLE	VWS4218-C	4A0338-01		6	2	2	2	2	2	2	2	2
30	BARRIER	GS	3A0235-01			1	1	1	1	1	1	1	1
31	WIRE SADDLE	VWS4218-C	4A0338-01		2	2	x2						
		VWS4238-C	4A0338-02				o1	1	1	1	1	1	1



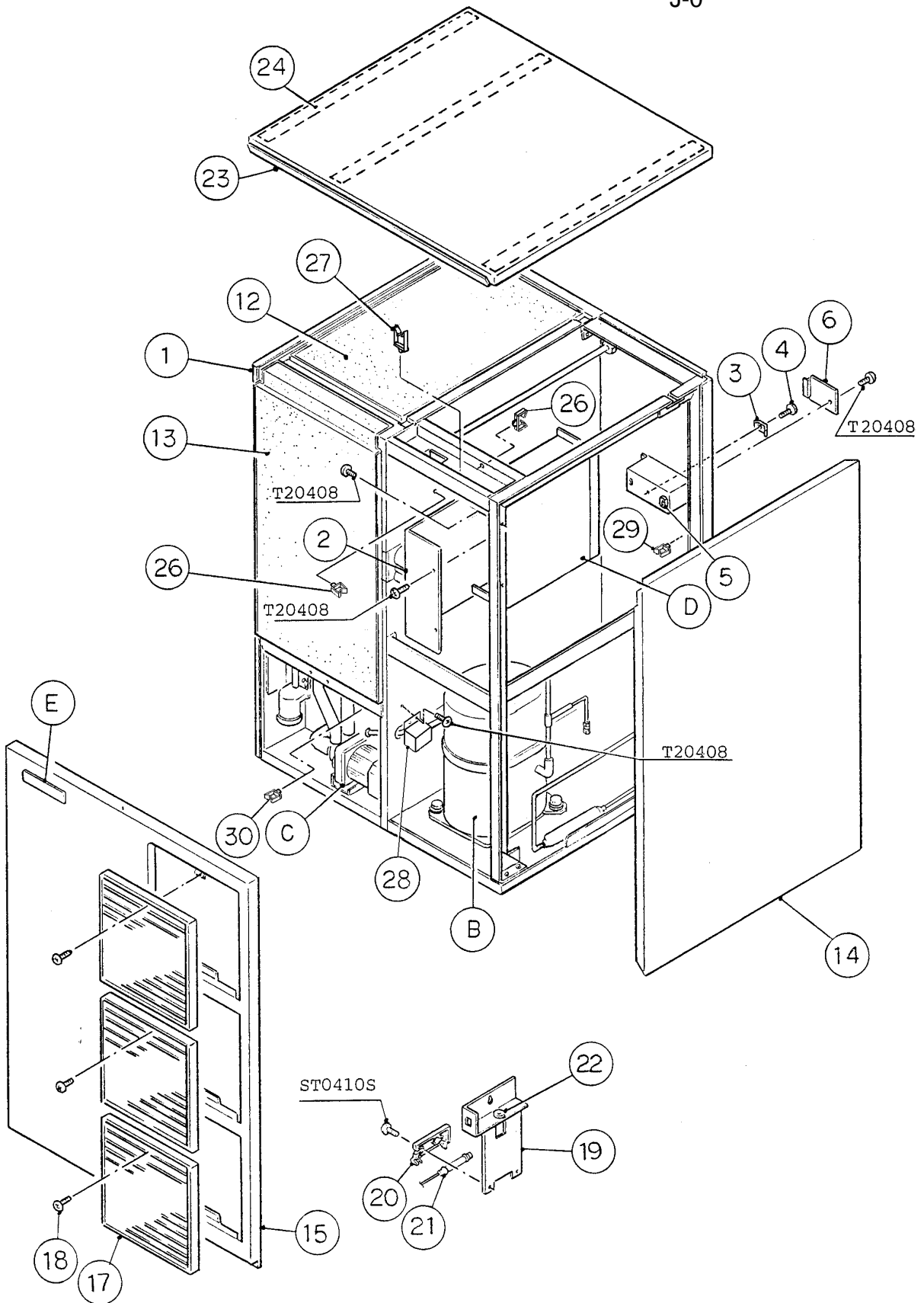


HA

KM-1200MWE

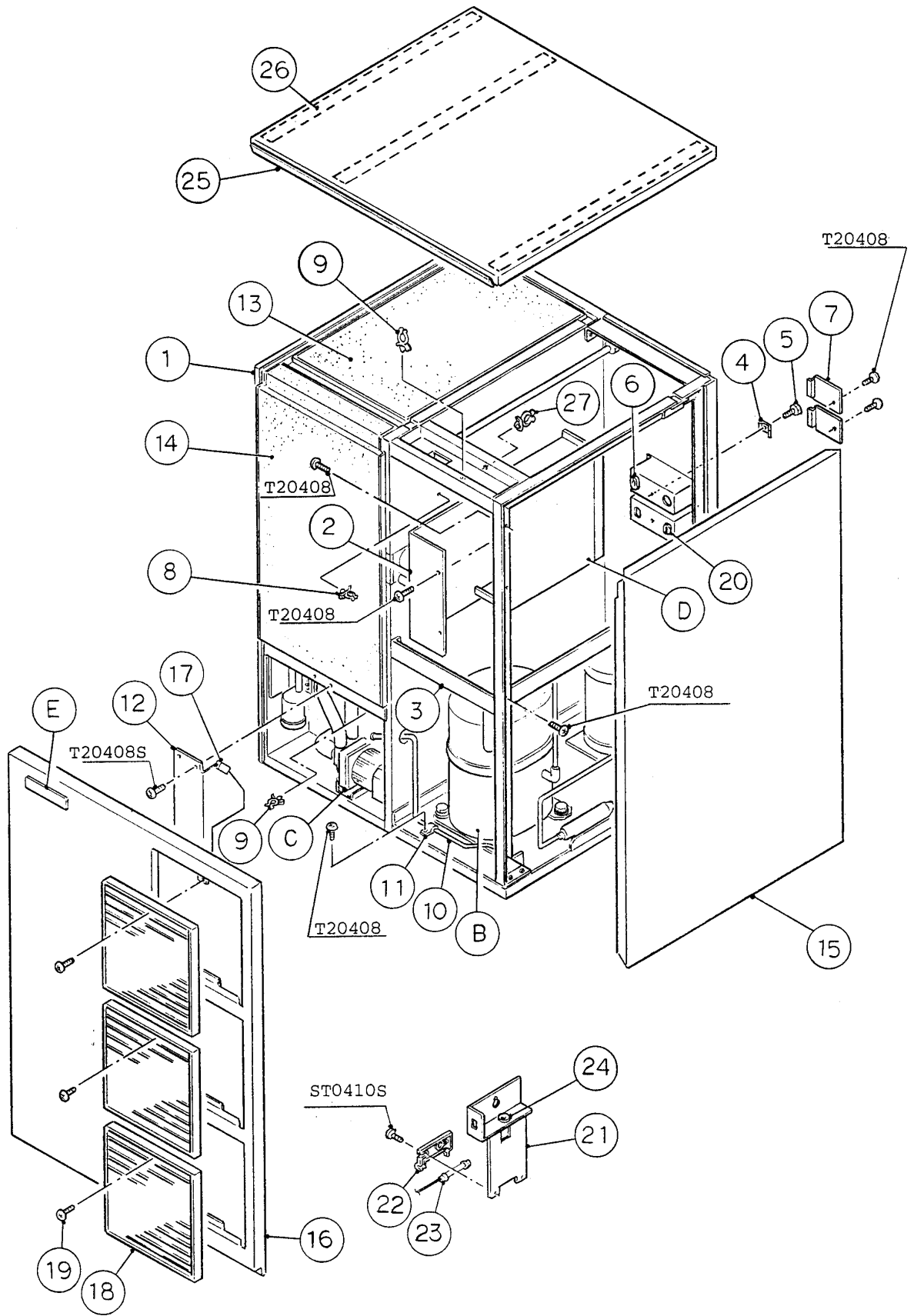
A. ICE CUBER ASSEMBLY

D-1, D-2, E-0, E-1, F-0, F-1  
F-2, G-0, G-1, H-0, H-1, H-2,  
J-0



MODEL: KM-1200MWE TITLE: A. ICE CUBER ASSEMBLY													
INDEX NO.	DESCRIPTION	MATERIAL OR MODEL NUMBER	PART NUMBER	REQUIRED NUMBER									
				C-0	D-1	D-2	E-0	E-1	F-0	F-1 F-2	G-0 G-1 H-0 H-1	H-2	J-0
B	REFRIGERATION CIRCUIT	-	106338A02	1	x1								
		-	2A0383A01		o1	1	1	-					
		-	2A0383A02					1	1	1	1	1	1
C	WATER CIRCUIT	-	105060A03	1	1	-							
		-	1A0094A01			1	1	x1					
		-	1A0094A02					o1	1	1	1	-	
		-	1A0094A04									1	1
D	CONTROL BOX ASSEMBLY	-	219071A11	1	1	1	1	1	1	1	1	1	-
		-	219071A14										
E	LABEL LOCATION	-	330640A01	1	1	1	1	1	1	1	1	1	-
		-	330640A02										
1	EVAP. CASE	-	105124G04	1	1	1	1	1	x1				
		-	105124G05						o1	1	1	-	
		-	105124G06									1	1
2	CONTROL BOX COVER	GS	3A0174-01	1	1	1	1	1	1	1	1		
3	SQUARE WASHER	BRASS	433537-02	1	1	1	1	1	1	1	1	1	1
4	SCREW - GROUNDING	BRASS	433304-02	1	1	1	1	1	1	1	1	1	1
5	BUSHING	SR-34-2	420472-05	1	1	1	1	1	1	1	1	1	1
6	JUNCTION BOX COVER	GS	433410-01	1	1	1	1	1	1	1	1	1	1
7	CLAMP	NO.249	427902-03	7	-								
8	CLAMP	NO. 248	427902-04	3	-								
9	CONDUIT	COPPER	435081-01	1	-								
10	CLAMP	GS	435124-01	1	-								
11	SEPARATOR	SS	322687-01	1	-								
12	TOP INSULATION	ABS, PE	322714G01	1	1	1	1	1	1	1	1	1	1
13	FRONT INSULATION	ABS,PE	322711G01	1	1	1	1	1	1	1	1	1	1
14	SIDE PANEL (R)	SS	212688G01	1	1	1	1	1	1	1	1	1	1

MODEL: <b>KM-1200MWE</b> TITLE: <b>A. ICE CUBER ASSEMBLY</b>													
INDEX NO.	DESCRIPTION	MATERIAL OR MODEL NUMBER	PART NUMBER	REQUIRED NUMBER									
				C-0	D-1	D-2	E-0	E-1	F-0	F-1 F-2	G-0 G-1 H-0 H-1	H-2	J-0
15	FRONT PANEL	SS	212685-01	1	1	1	1	1	1	1	1	1	1
16	EDGING	EE-12	435297-01	1	-								
17	LOUVER (B)	ABS	103121-03	3	3	3	3	3	3	3	3	3	3
18	TAPPING SCREW ( BLACK)	STEEL,4x8	433954-01	3	3	3	3	3	3	3	3	3	3
19	BULB HOLDER	SS	322815G02	1	1	1	1	1	1	1	1	1	1
20	BULB HOLDER	ABS	328919-01	1	1	1	1	1	1	1	1	1	1
21	SPACER	PE	443545-01	2	2	2	2	2	2	2	2	2	2
22	CAPILLARY RING	EPDM	425307-01	1	1	1	1	1	1	1	1	1	1
23	TOP PANEL	(323836A01), SS	212687-01	1	1	1	1	1	1	1	1	1	1
24	GASKET	PVC	427014-04	3	3	3	3	3	3	3	3	3	3
25	CLAMP	NO.4253	427902-05	1	-								
26	WIRE SADDLE	VWS4274-C	4A0338-03		5	5	5	5	5	5	5	5	5
27	WIRE SADDLE	VWS4218-C	4A0338-01		2	2	2	2	2	2	2	2	2
28	BARRIER	GS	3A0235-01		1	1	1	1	1	1	1	1	1
29	WIRE SADDLE	VWS42105-C	4A0338-04		1	1	1	1	1	1	1	1	1
30	WIRE SADDLE	VWS4238-C	4A0338-02		3	2	2	2	2	2	2	2	2

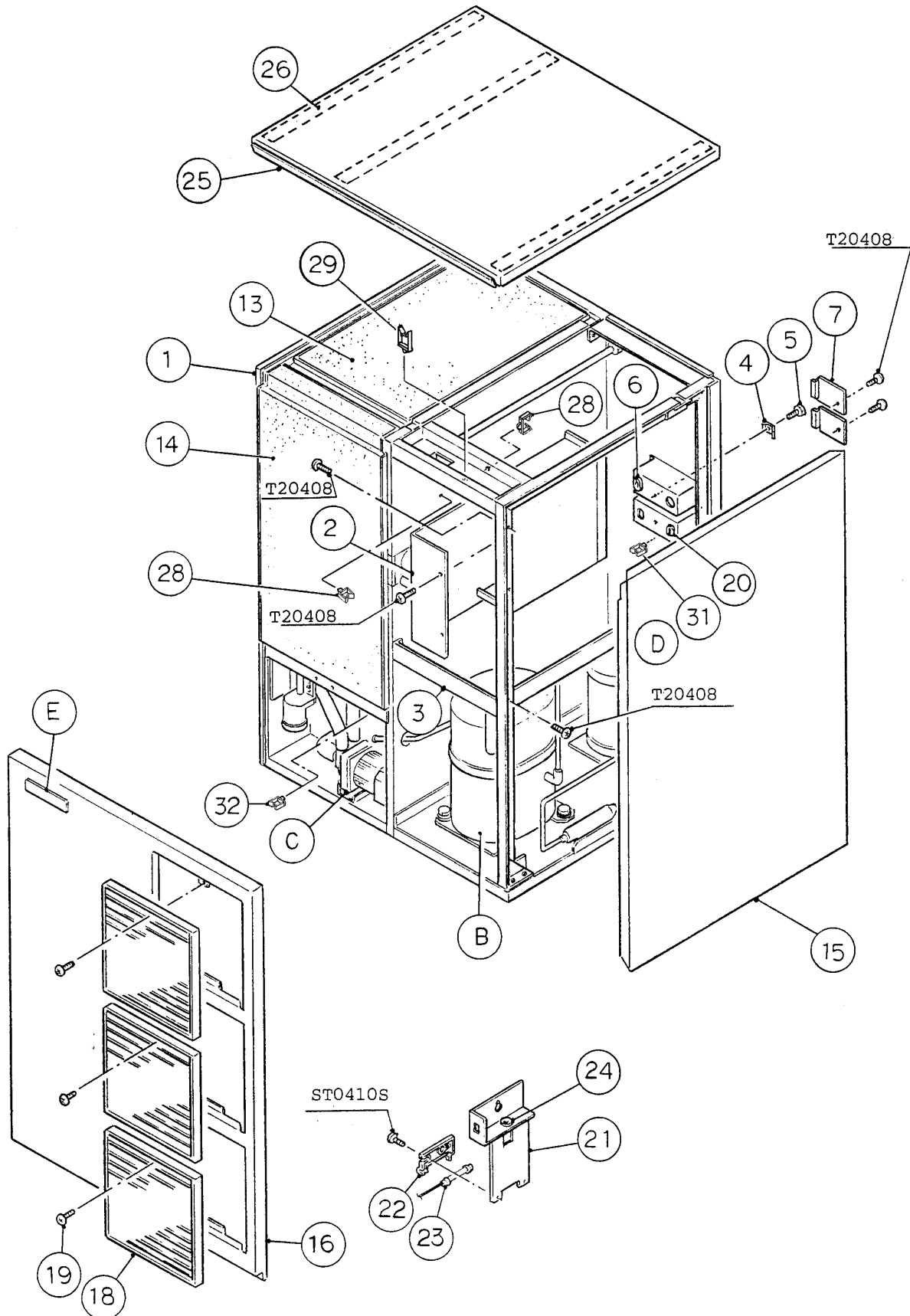


HA

KM-1200MRE

A. ICE CUBER ASSEMBLY

C-1, D-0, D-1, E-0, E-1, F-1  
F-2, G-0, G-1, H-0, H-1, H-2  
H-, J-1

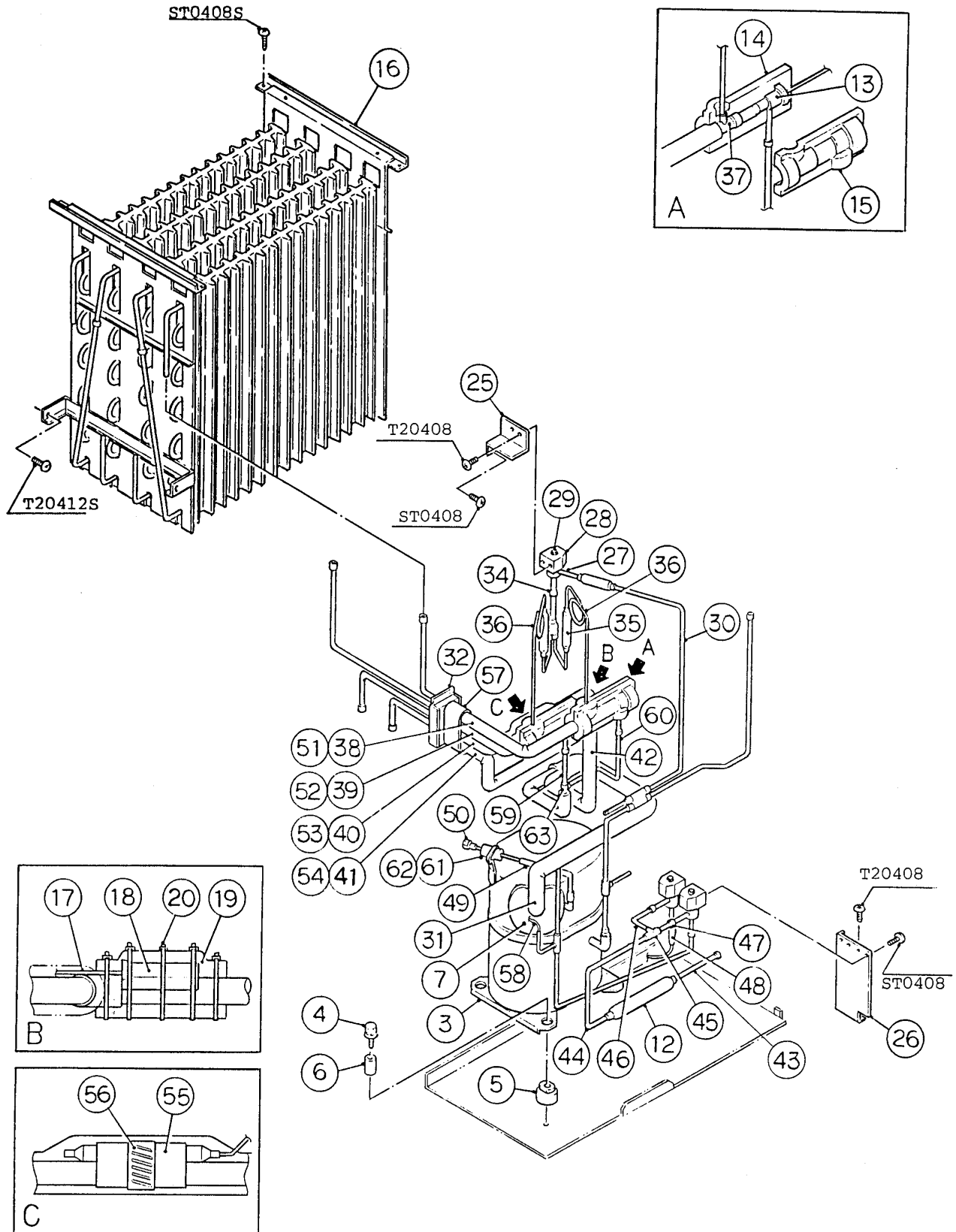


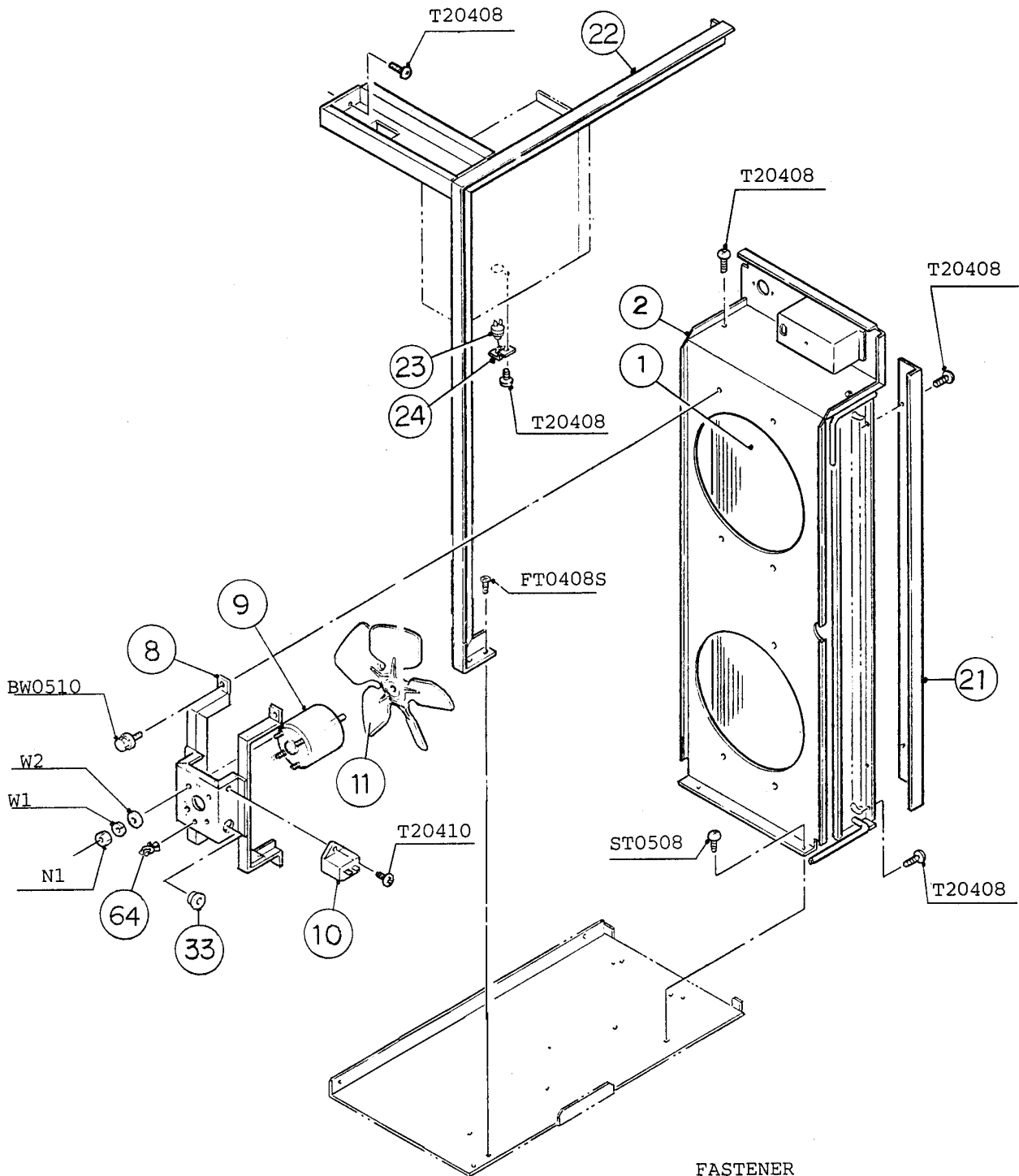
HA

MODEL: KM-1200MRE TITLE: A. ICE CUBER ASSEMBLY													
INDEX NO.	DESCRIPTION	MATERIAL OR MODEL	PART NUMBER	REQUIRED NUMBER									
				C-0	C-1	D-0	D-1	E-0	E-1	F-1 F-2	G-0 G-1 H-0 H-1	H-2	H-3 J-1
B	REFRIGERATION CIRCUIT	-	106339A02	1	1	x1							
		-	2A0384A01			o1	1	1	-				
		-	2A0384A02						1	1	1	1	1
C	WATER CIRCUIT	-	105060A03	1	1	1	-						
		-	1A0094A01				1	1	x1				
		-	1A0094A02						o1	1	1	-	
		-	1A0094A04									1	1
D	CONTROL BOX ASSEMBLY	-	219071A12	1	1	1	1	1	1	1	1	1	-
		-	219071A15										
E	LABEL LOCATION	-	330641A01	1	1	1	1	1	1	1	1	1	-
		-	330641A02										
1	EVAP. CASE	-	105124G04	1	1	1	1	1	x1				
		-	105124G05						o1	1	1	-	
		-	105124G06									1	1
2	CONTROL BOX COVER	GS	3A0174-01	1	1	1	1	1	1	1	1	1	1
3	FRAME (F1)	GS	322696-01	1	1	-							
		GS	3A0346-01			1	1	1	1	1	1	1	1
4	SQUARE WASHER	BRASS	433537-02	2	2	2	2	2	2	2	2	2	2
5	SCREW - GROUNDING	BRASS	433304-02	2	2	2	2	2	2	2	2	2	2
6	BUSHING	SR-34-2	420472-05	1	1	1	1	1	1	1	1	1	1
7	JUNCTION BOX COVER	GS	433410-01	2	2	2	2	2	2	2	2	2	2
8	CLAMP	NO.249	427902-03	7	-								
9	CLAMP	NO. 248	427902-04	3	-								
10	CONDUIT	COPPER	435081-01	1	-								
11	CLAMP	GS	435124-01	1	-								
12	SEPARATOR	SS	322687-01	1	-								
13	TOP INSULATION	ABS, PE	322714G01	1	1	1	1	1	1	1	1	1	1

MODEL: <b>KM-1200MRE</b> TITLE: <b>A. ICE CUBER ASSEMBLY</b>													
INDEX NO.	DESCRIPTION	MATERIAL OR MODEL	PART NUMBER	REQUIRED NUMBER									
				C-0	C-1	D-0	D-1	E-0	E-1	F-1 F-2	G-0 G-1 H-0 H-1	H-2	H-3 J-1
14	FRONT INSULATION	ABS,PE	322711G01	1	1	1	1	1	1	1	1	1	1
15	SIDE PANEL (R)	SS	212688G01	1	1	1	1	1	1	1	1	1	1
16	FRONT PANEL	SS	212685-01	1	1	1	1	1	1	1	1	1	1
17	EDGING	EE-12	435297-01	1	-								
18	LOUVER (B)	ABS	103121-03	3	3	3	3	3	3	3	3	3	3
19	TAPPING SCREW ( BLACK)	STEEL,4x8	433954-01	3	3	3	3	3	3	3	3	3	3
20	BUSHING	SR-30-1	420472-03	1	1	1	1	1	1	1	1	1	1
21	BULB HOLDER	SS	322815G02	1	1	1	1	1	1	1	1	1	1
22	BULB HOLDER	ABS	328919-01	1	1	1	1	1	1	1	1	1	1
23	SPACER	PE	443545-01	2	2	2	2	2	2	2	2	2	2
24	CAPILLARY RING	EPDM	425307-01	1	1	1	1	1	1	1	1	1	1
25	TOP PANEL	(323836A01), SS	212687-01	1	1	1	1	1	1	1	1	1	1
26	GASKET	PVC	427014-04	3	3	3	3	3	3	3	3	3	3
27	CLAMP	NO.4253	427902-05	1	-								
28	WIRE SADDLE	VWS4274-C	4A0338-03		3	3	5	5	5	5	5	5	5
29	WIRE SADDLE	VWS4218-C	4A0338-01		6	6	2	2	2	2	2	2	2
30	BARRIER	GS	3A0235-01		1	1	1	1	1	1	1	1	1
31	WIRE SADDLE	VWS42105-C	4A0338-04		1	1	1	1	1	1	1	1	1
32	WIRE SADDLE	VWS4238-C	4A0338-02		3	3	2	2	2	2	2	2	2







FASTENER

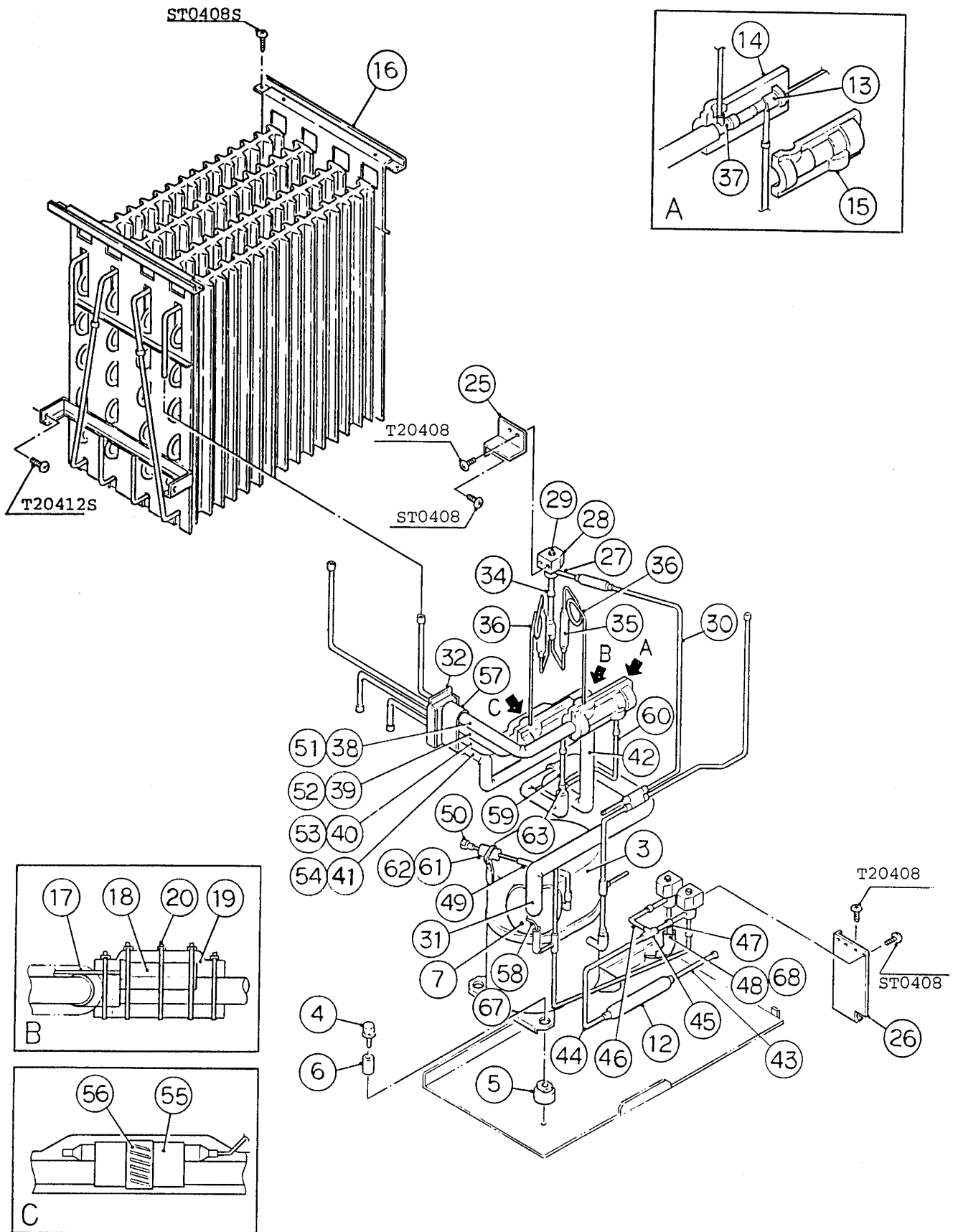
- N1 - Hex.Nut No.8-32UNC SUS
- W1 - Split Lock Washer  
No.8-32UNC SUS
- W2 - Flat Washer  
No.8-32UNC SUS

HA

KM-1200MAE

B. REFRIGERATION CIRCUIT (1/2)

D-0, D-1, E-0, E-1, F-1, F-2

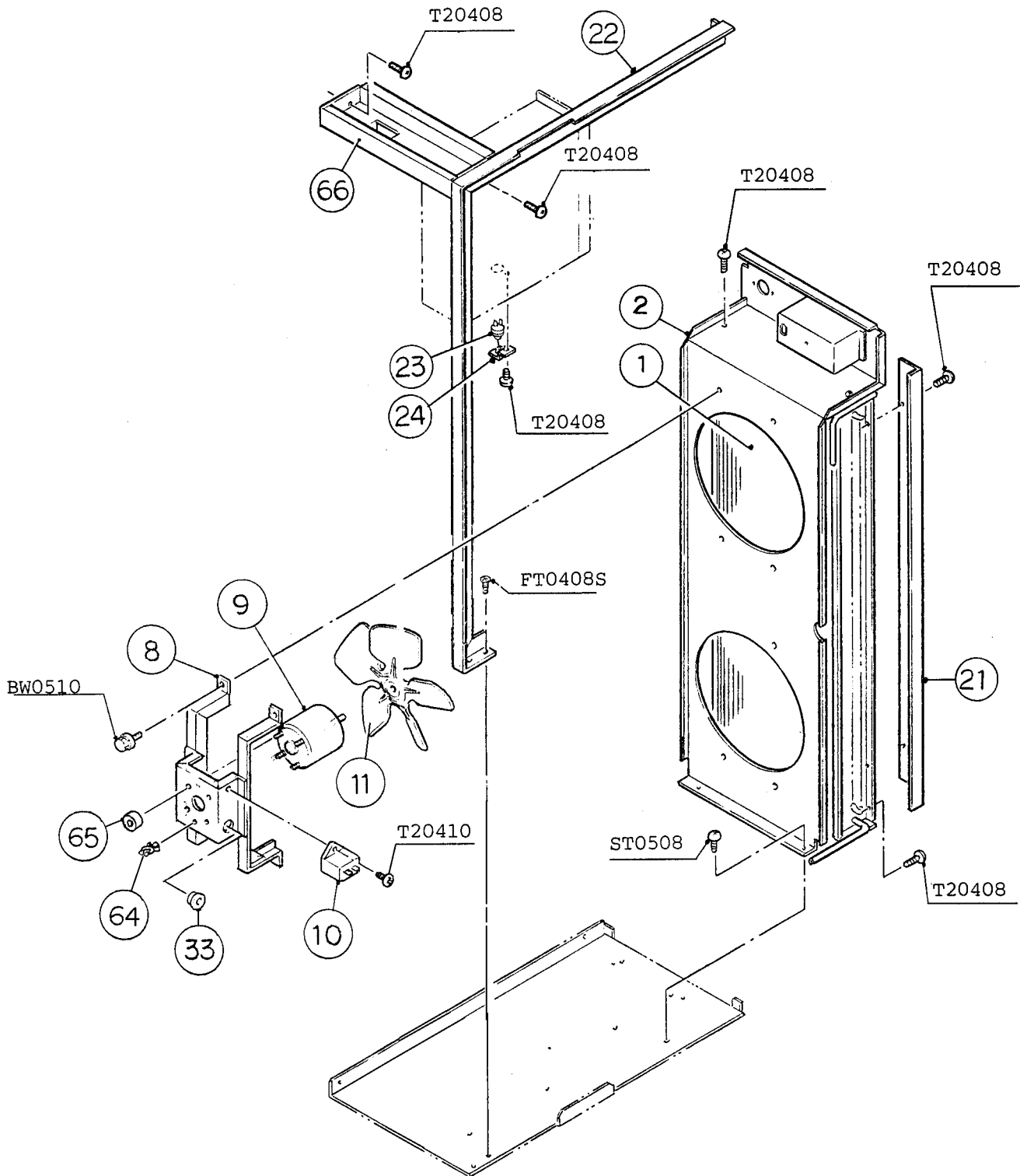


HA

KM-1200MAE

B. REFRIGERATION CIRCUIT (2/2)

D-0, D-1, E-0, E-1, F-1, F-2  
G-0, G-1, H-0, H-2, H-3, J-0

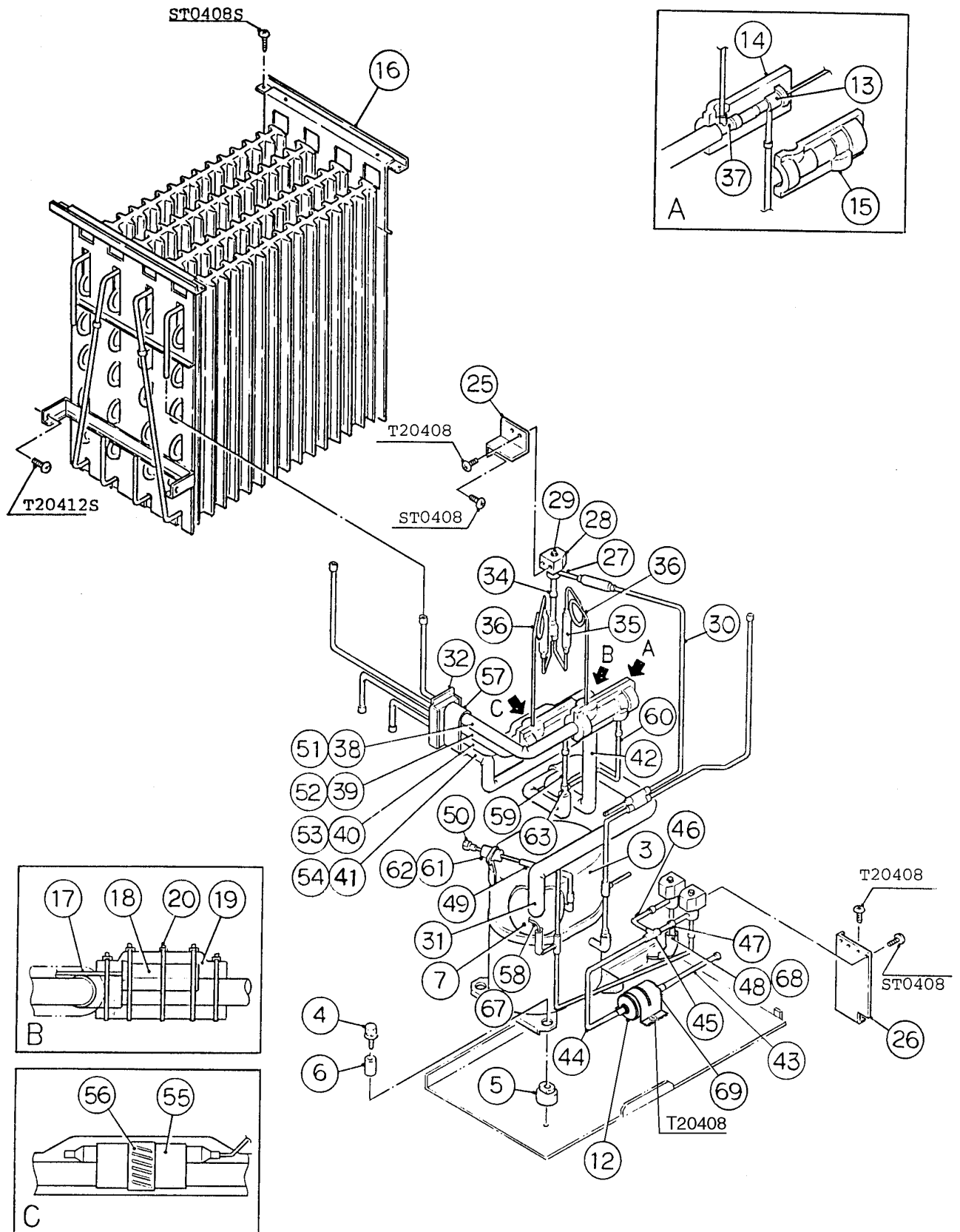


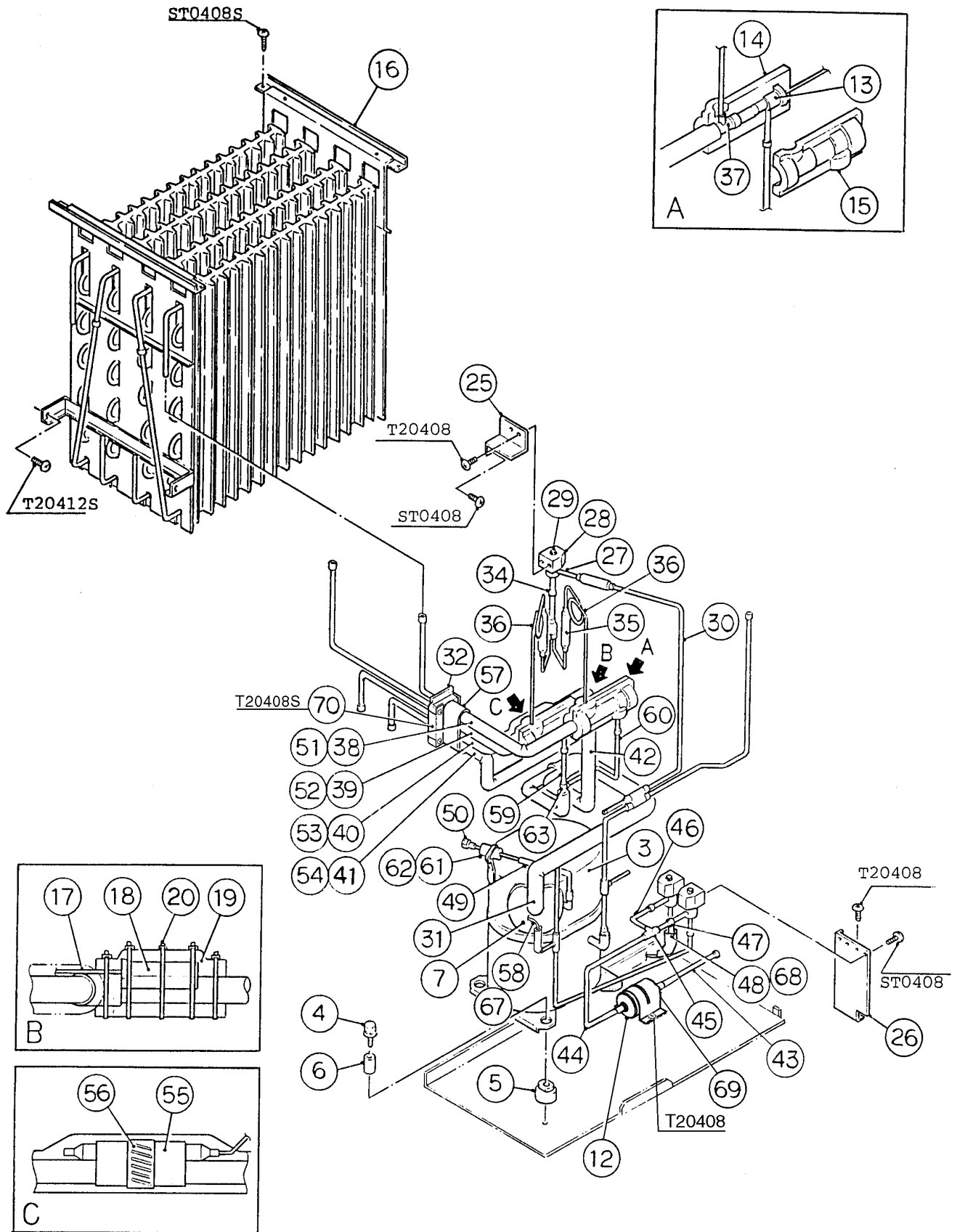
HA

KM-1200MAE

B. REFRIGERATION CIRCUIT (1/2)

G-0, G-1, H-0, H-2, H-3





MODEL: <b>KM-1200MAE</b> TITLE: <b>B. REFRIGERATION CIRCUIT</b>													
INDEX NO.	DESCRIPTION	MATERIAL OR MODEL	PART NUMBER	REQUIRED NUMBER									
				C-0	C-1	D-0	D-1	E-1	F-1	G-0	G-1	H-0	H-3
							E-0		F-2			H-2	J-0
1	CONDENSER	-	212589-01	1	1	1	1	1	1	1	1	1	1
2	SHROUD	GS	212666G06	1	1	1	1	-					
		GS	212666G07					1	1	1	1	1	1
3	COMPRESSOR	CR30K6-PFV	443304-01	1	1	1	1	1	1	1	1	1	1
4	BOLT	8x45	437889-01	4	4	4	4	4	4	4	4	4	4
5	GROMMET	027-0167-00	434922-01	4	4	4	4	4	4	4	4	4	4
6	SPACER	028-0188-02	434921-01	4	4	4	4	4	4	4	4	4	4
7	INSULATION - COMPRESSOR	PE	443303-01	1	1	1	1	1	1	1	1	1	1
8	FAN MOTOR BRACKET	GS	2A0181-01	2	2	2	2	2	2	2	2	2	2
9	FAN MOTOR	U90B1, 7190-1031	440911-01	2	2	2	2	2	2	2	2	2	2
10	CAPACITOR	5MFD, 250V	443192-02	2	2	2	2	2	2	2	2	2	2
11	FAN BLADE	AD10CW32	444898-01	2	2	2	2	2	2	2	2	2	2
12	DRIER	KC-7071	427061-02	1	1	1	1	1	1	x1			
		C-0325-S	445007-01							o1	1	1	1
13	EXP. VALVE	HFE-10HHD-1	443305-01	2	2	2	2	2	2	2	2	2	2
14	EXP. VALVE COVER (A)	PE FOAM	324214-01	2	2	2	2	2	2	2	2	2	2
15	EXP. VALVE COVER (B)	PE FOAM	324214-02	2	2	2	2	2	2	2	2	2	2
16	EVAPORATOR	-	104442G01	1	1	1	1	1	1	1	1	1	1
17	THERMISTOR	-	429006-03	1	1	1	1	1	1	1	1	1	1
18	HOLDER - THERMISTOR	COPPER	427430-01	1	1	1	1	1	1	1	1	1	1
19	INSULATION - THERMISTOR	PE FOAM	427441-01	1	1	1	1	1	1	1	1	1	1
20	TIE	CV-200	7920-0010	3	3	3	3	3	3	3	3	3	3
21	BARRIER (B)	GS	435056-01	1	1	1	1	1	1	1	1	1	1
22	FRAME	GS	212673G02	1	1	-							
		GS	3A0350G01			1	1	1	1	1	1	1	1
23	PRESSURE SWITCH	ACB-2UB04	433441-05	1	1	1	1	1	1	1	1	1	1
24	PRESSURE SWITCH BRACKET	GS	434938-01	1	1	1	1	1	1	1	1	1	1

MODEL: KM-1200MAE TITLE: B. REFRIGERATION CIRCUIT													
INDEX NO.	DESCRIPTION	MATERIAL OR MODEL	PART NUMBER	REQUIRED NUMBER									
				C-0	C-1	D-0	D-1 E-0	E-1	F-1 F-2	G-0	G-1	H-0 H-2	H-3 J-0
25	HOT GAS VALVE BRACKET	GS	444816-01	1	1	1	1	1	1	1	1	1	1
26	LINE VALVE BRACKET	GS	330633-01	1	1	1	1	1	1	1	1	1	1
27	VALVE BODY	70	440352-01	3	3	3	3	3	3	3	3	3	3
28	COIL - VALVE	ABS-25-1-HD-2	440353-01	3	3	3	3	3	3	3	3	3	3
29	BOLT	4x6	440353F01	3	3	3	3	3	3	3	3	3	3
30	COPPER TUBE (A) - HIGH SIDE	COPPER	106328G01	1	1	1	1	1	1	1	1	1	1
31	HEAT EXCHANGER	-	106325G01	1	1	1	1	1	1	1	1	1	1
32	INSULATED RUBBER TUBE	EPDM	323975G01	1	1	1	1	1	1	1	1	1	1
33	BUSHING	SB-1093-15	420470-03	2	2	2	2	2	2	2	2	2	2
34	COPPER TUBE - HOT GAS	COPPER	330667G01	1	1	1	1	1	1	1	1	1	1
35	CHECK VALVE	YCV5-2	425342-01	2	2	2	2	2	2	2	2	2	2
36	COPPER TUBE - HOT GAS	COPPER	330623-01	2	2	2	2	2	2	2	2	2	2
37	TEE	111R-662	436000-10	2	2	2	2	2	2	2	2	2	2
38	COPPER TUBE (A) - LOW SIDE	COPPER	330631-01	1	1	1	1	1	1	1	1	1	1
39	COPPER TUBE (B) - LOW SIDE	COPPER	330632-01	1	1	1	1	1	1	1	1	1	1
40	COPPER TUBE (E) - LOW SIDE	COPPER	330626-01	1	1	1	1	1	1	1	1	1	1
41	COPPER TUBE (F) - LOW SIDE	COPPR	330625-01	1	1	1	1	1	1	1	1	1	1
42	COPPER TUBE (Q) - LOW SIDE	COPPER	330634G01	1	1	1	1	1	1	1	1	1	1
43	COPPER TUBE (U) - HIGH SIDE	COPPER	444918-01	1	1	1	1	1	1	1	1	1	1
44	COPPER TUBE (D) - HIGH SIDE	COPPER	444873-01	1	1	1	1	1	1	1	1	1	1
45	TEE	KC-7074	420041-11	1	1	1	1	1	1	1	1	1	1
46	COPPER TUBE (E) - HIGH SIDE	COPPER	444869-01	1	1	1	1	1	1	1	1	1	1
47	COPPER TUBE - LINE VALVE	COPPER	444872-01	1	1	1	1	1	1	1	1	1	1
48	COPPER TUBE - CAPILLARY	COPPER	443330G01	1	1	1	1	1	1	1	1	1	1
49	COPPER TUBE - ACCESS VALVE	COPPER	443484-01	1	1	1	1	1	1	1	1	1	1
50	ACCESS VALVE	TCJ-2F15-HD	417366-01	2	2	2	2	2	2	2	2	2	2
51	INSULATION TUBE	L=350	7762-1323	1	1	1	1	x1					
			7762-1330					o1	1	1	1	1	1



MODEL: <b>KM-1200MAE</b> TITLE: <b>B. REFRIGERATION CIRCUIT</b>													
INDEX NO.	DESCRIPTION	MATERIAL OR MODEL	PART NUMBER	REQUIRED NUMBER									
				C-0	C-1	D-0	D-1 E-0	E-1	F-1 F-2	G-0	G-1	H-0 H-2 H-3	J-0
52	INSULATION TUBE	L=205	7762-1323	1	1	1	1	x1					
			7762-1330					o1	1	1	1	1	1
53	INSULATION TUBE	L=290	7762-1323	1	1	1	1	x1					
			7762-1330					o1	1	1	1	1	1
54	INSULATION TUBE	L=570	7762-1323	1	1	1	1	x1					
			7762-1330					o1	1	1	1	1	1
55	HOLDER/EXP. VALVE - 3/8	SS	3A0107-01	2	2	2	2	2	2	2	2	2	2
56	CLAMP	SS	443461-02	2	2	2	2	2	2	2	2	2	2
57	INSULATION	PE FOAM	436671-01	1	1	1	1	1	1	1	1	1	1
58	CAPILLARY TUBE	-	7K0820200	1	1	1	1	1	1	1	1	1	1
59	COPPER TUBE (L) - EXP. VALVE	COPPER	444865-01	1	1	1	1	1	1	1	1	1	1
60	COPPER TUBE (R) - EXP. VALVE	COPPER	330663-01	1	1	1	1	1	1	1	1	1	1
61	INSULATION TUBE	L=40	7762-0717	1	1	1	1	1	1	1	1	1	1
62	TIE	CV-100	7920-0002	1	1	1	1	1	1	1	1	1	1
63	TEE		420041-02	1	1	1	1	1	1	1	1	1	1
64	CLAMP	#4253	427902-05	1	1	1	1	1	1	1	1	1	1
65	SELF-LOCKING NUT	SS	7N21I0832			1	1	1	1	1	1	1	1
66	FRAME (C)	GS	3A0347-01			1	1	1	1	1	1	1	1
67	INSULATION TUBE	L=50	7762-1020			1	1	1	1	1	1	1	1
68	INSULATION TUBE	L=70	7762-1020			1	1	1	1	1	1	1	1
69	DRIER BRACKET	GS	4A0807-01							1			1
70	INSULATION HOLDER	-	3A0979-01										1

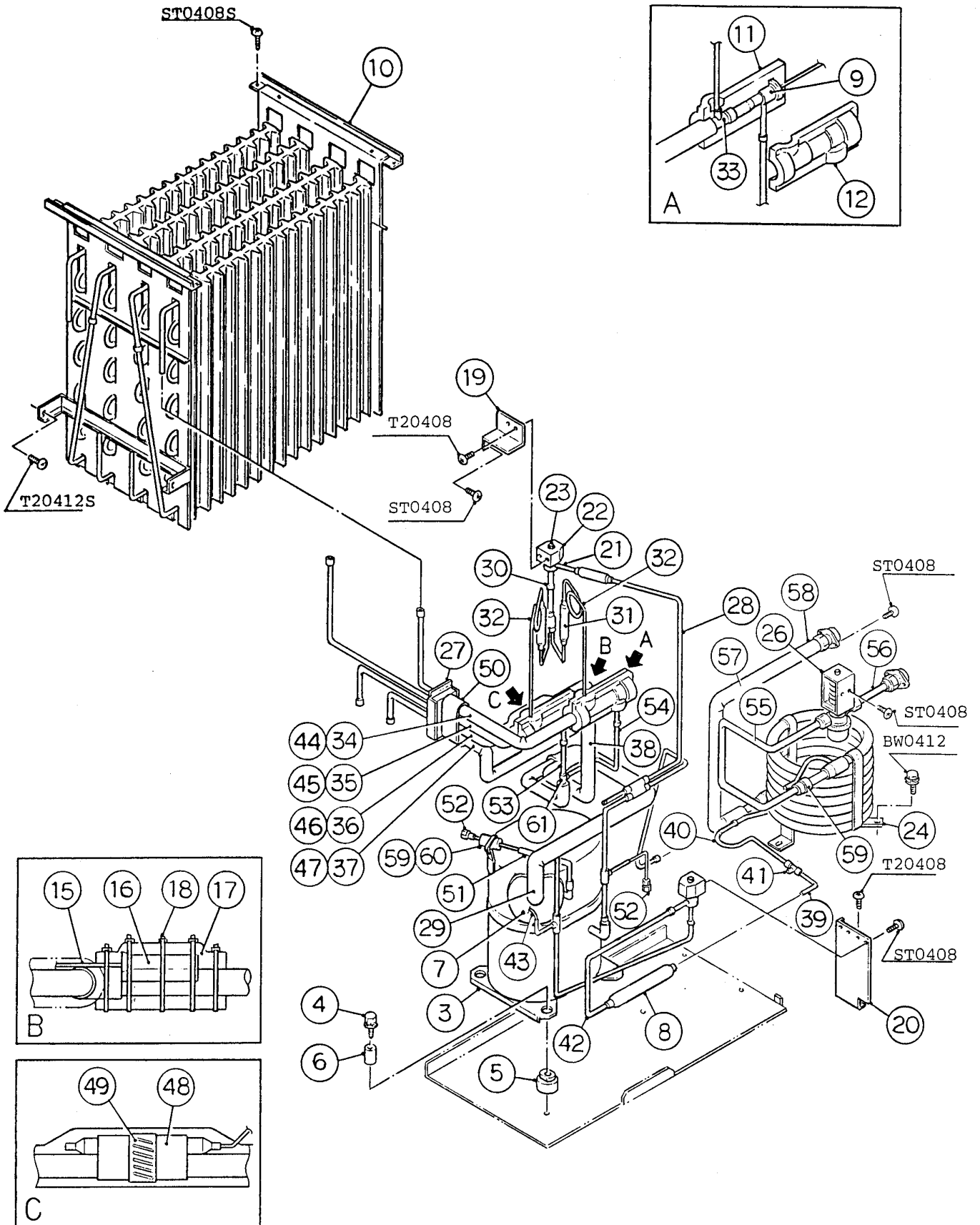
HA

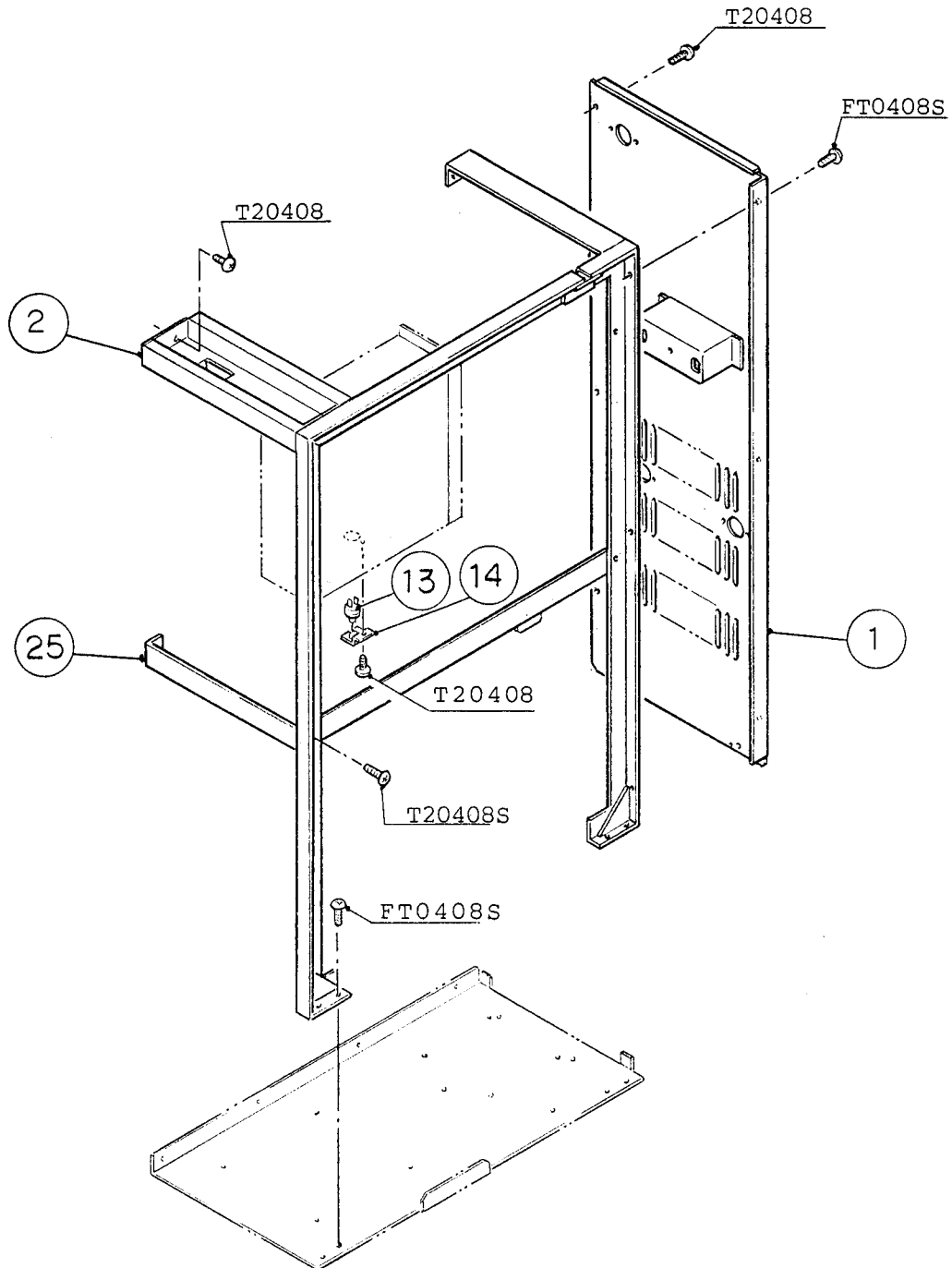
KM-1200MWE

0

B. REFRIGERATION CIRCUIT (1/2)

C-



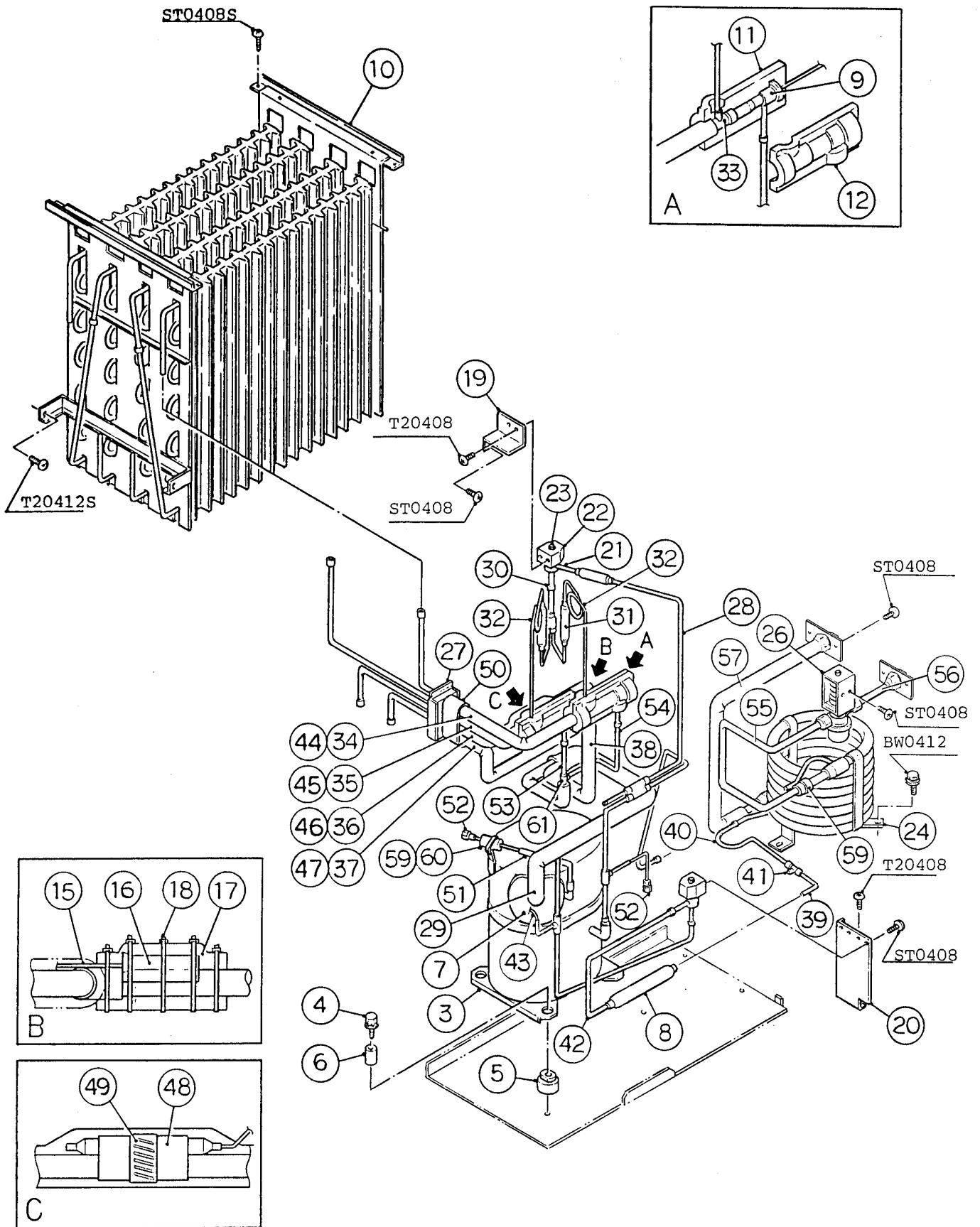


HA

KM-1200MWE

B. REFRIGERATION CIRCUIT (1/2)

D-1, D-2, E-0, E-1, F-0, F-1

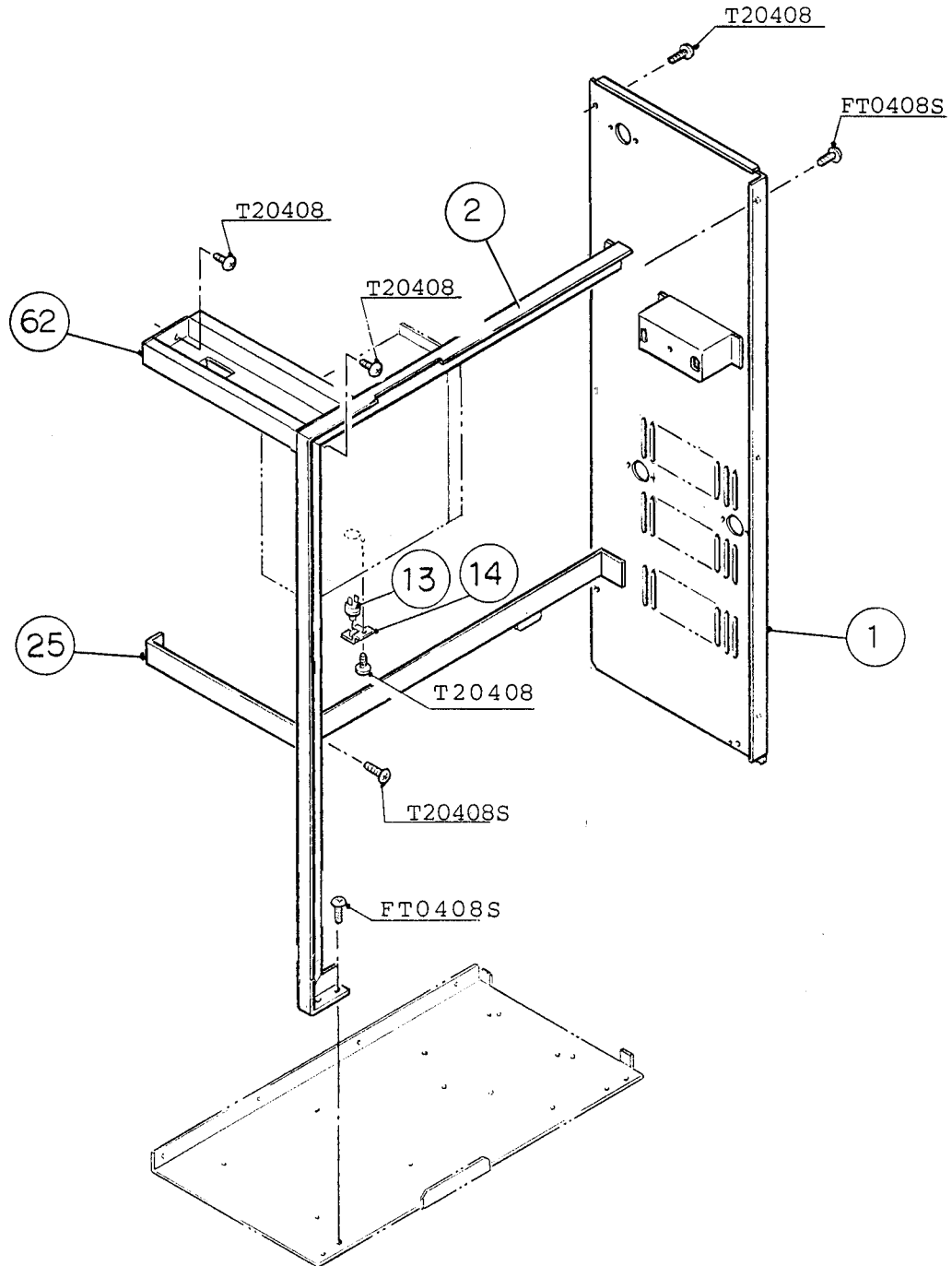


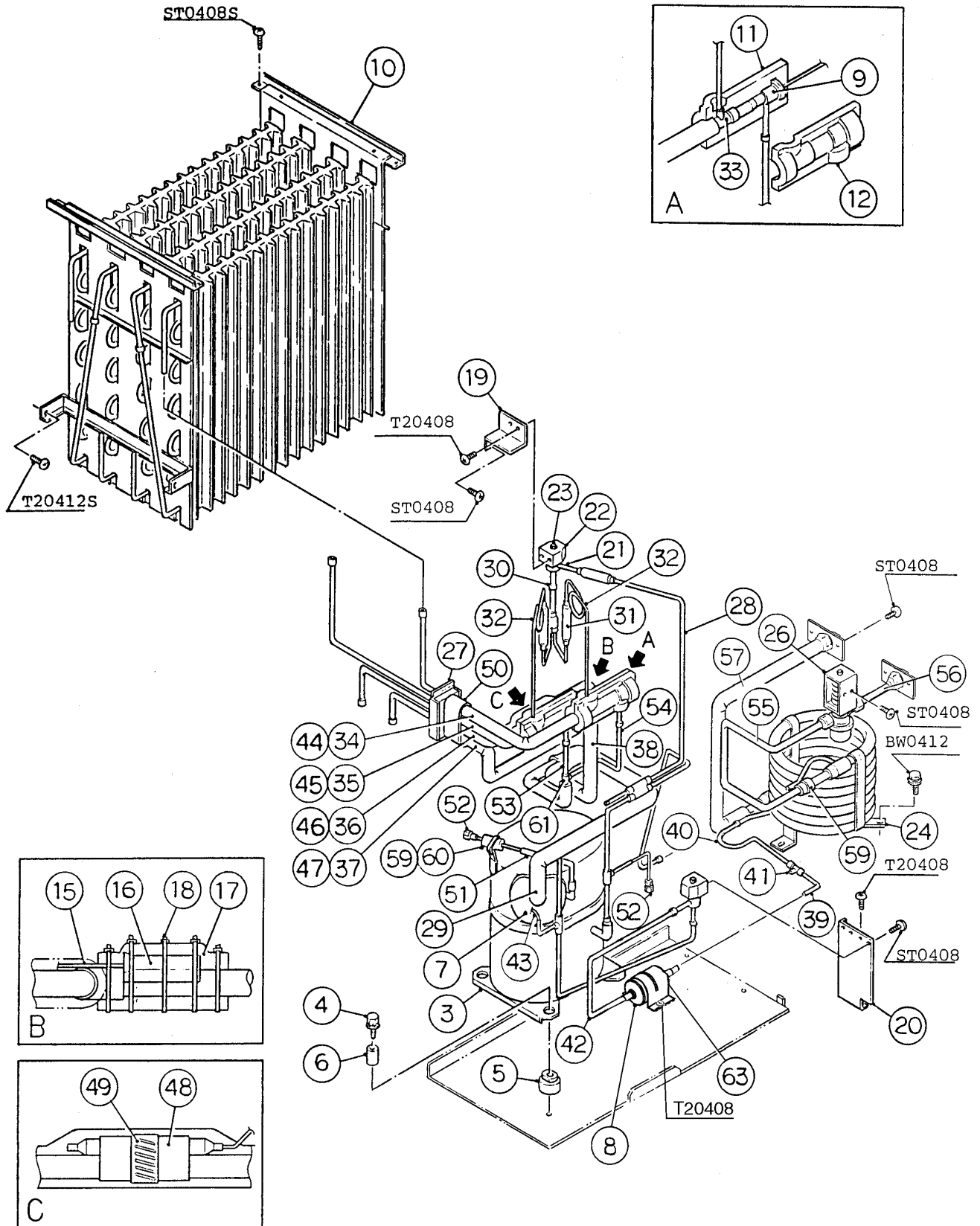
HA

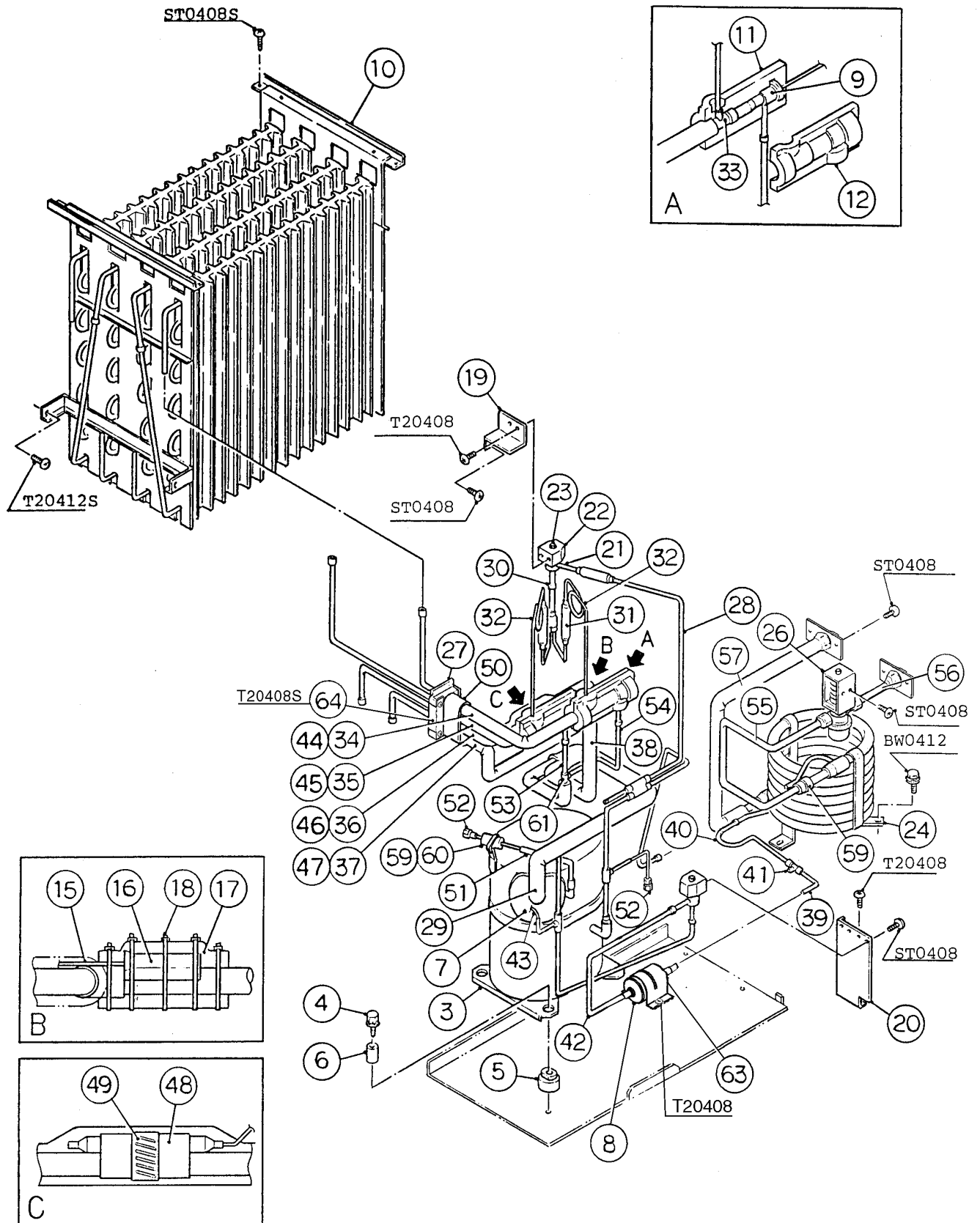
KM-1200MWE

B. REFRIGERATION CIRCUIT (2/2)

D-1, D-2, E-0, E-1, F-0, F-1  
F-2, G-0, G-1, H-0, H-1, H-2  
J-0







MODEL: KM-1200MWE TITLE: B. REFRIGERATION CIRCUIT													
INDEX NO.	DESCRIPTION	MATERIAL OR MODEL	PART NUMBER	REQUIRED NUMBER									
				C-0	D-1	D-2	E-0	E-1	F-0 F-1	F-2 G-0	G-1 H-0	H-1 H-2	J-0
1	REAR PANEL	GS	212805G05	1	x1								
		GS	212805G06		o1	1	1	-					
		GS	212805G07					1	1	1	1	1	1
2	FRAME	GS	212681G02	1	x1								
		GS	3A0350G01		o1	1	1	1	1	1	1	1	1
3	COMPRESSOR	CR30K6-PFV	443304-01	1	1	1	1	1	1	1	1	1	1
4	BOLT	8x45	437889-01	4	4	4	4	4	4	4	4	4	4
5	GROMMET	027-0167-00	434922-01	4	4	4	4	4	4	4	4	4	4
6	SPACER	028-0188-02	434921-01	4	4	4	4	4	4	4	4	4	4
7	INSULATION - COMPRESSOR	PE	443303-01	1	1	1	1	1	1	1	1	1	1
8	DRIER	KC-7071	427061-02	1	1	1	1	1	1	x1			
		C-0325-S	445007-01							o1	1	1	1
9	EXPANSION VALVE	HFE-10HHD-1	443305-01	2	2	2	2	2	2	2	2	2	2
10	EVAPORATOR	-	104442G01	1	1	1	1	1	1	1	1	1	1
11	EXP. VALVE COVER (A)	PE FOAM	324214-01	2	2	2	2	2	2	2	2	2	2
12	EXP. VALVE COVER (B)	PE FOAM	324214-02	2	2	2	2	2	2	2	2	2	2
13	PRESSURE SWITCH	ACB-2UB02	433441-01	1	1	1	1	1	1	1	1	1	1
14	PRESSURE SWITCH BRCKT.	GS	434938-01	1	1	1	1	1	1	1	1	1	1
15	THERMISTOR	-	429006-03	1	1	1	1	1	1	1	1	1	1
16	HOLDER - THERMISTOR	COPPER	427430-01	1	1	1	1	1	1	1	1	1	1
17	INSULATION - THERMISTOR	PE FOAM	427441-01	1	1	1	1	1	1	1	1	1	1
18	TIE	CV-200	7920-0010	3	3	3	3	3	3	3	3	3	3
19	HOT GAS VALVE BRACKET	GS	444816-01	1	1	1	1	1	1	1	1	1	1
20	LINE VALVE BRACKET	GS	330633-01	1	1	1	1	1	1	1	1	1	1
21	VALVE BODY	70	440352-01	2	2	2	2	2	2	2	2	2	2
22	COIL - VALVE	ABS-25-1-HD-2	440353-01	2	2	2	2	2	2	2	2	2	2
23	BOLT	4x6	440353F01	2	2	2	2	2	2	2	2	2	2
24	CONDENSER - WATER-COOLED	(S-0725)	215545G01	1	1	1	1	1	1	1	1	1	1



MODEL: KM-1200MWE TITLE: B. REFRIGERATION CIRCUIT													
INDEX NO.	DESCRIPTION	MATERIAL OR MODEL	PART NUMBER	REQUIRED NUMBER									
				C-0	D-1	D-2	E-0	E-1	F-0 F-1	F-2 G-0	G-1 H-0	H-1 H-2	J-0
25	FRAME (F)	GS	322696G01	1	x1								
		GS	3A0346G01		o1	1	1	1	1	1	1	1	1
26	WATER REGULATOR	WV-4RHD-1	433996-01	1	1	1	1	1	1	1	1	1	1
27	INSULATED RUBBER TUBE	EPDM	323975G01	1	1	1	1	1	1	1	1	1	1
28	COPPER TUBE (A) - HIGH SIDE	COPPER	106327G01	1	1	1	1	1	1	1	1	1	1
29	HEAT EXCHANGER	-	106340G01	1	1	1	1	1	1	1	1	1	1
30	COPPER TUBE - HOT GAS	COPPER	330667G01	1	1	1	1	1	1	1	1	1	1
31	CHECK VALVE	YCV5-2	425342-01	2	2	2	2	2	2	2	2	2	2
32	COPPER TUBE - HOT GAS	COPPER	330623-01	2	2	2	2	2	2	2	2	2	2
33	TEE	111R-662	436000-10	2	2	2	2	2	2	2	2	2	2
34	COPPER TUBE (A) - LOW SIDE	COPPER	330631-01	1	1	1	1	1	1	1	1	1	1
35	COPPER TUBE (B) - LOW SIDE	COPPER	330632-01	1	1	1	1	1	1	1	1	1	1
36	COPPER TUBE (E) - LOW SIDE	COPPER	330626-01	1	1	1	1	1	1	1	1	1	1
37	COPPER TUBE (F) - LOW SIDE	COPPER	330625-01	1	1	1	1	1	1	1	1	1	1
38	COPPER TUBE (R) - LOW SIDE	COPPER	330618G01	1	1	1	1	1	1	1	1	1	1
39	COPPER TUBE (M) - HIGH SIDE	COPPER	444867-01	1	1	1	1	1	1	1	1	1	1
40	COPPER TUBE (J) - HIGH SIDE	COPPER	330620-01	1	1	1	1	1	1	1	1	1	1
41	TEE	KC-6938	431618-01	1	1	1	1	1	1	1	1	1	1
42	COPPER TUBE (K) - HIGH SIDE	COPPER	444862-01	1	1	1	1	1	1	1	1	1	1
43	CAPILLARY TUBE	-	7K0820200	1	1	1	1	1	1	1	1	1	1
44	INSULATION TUBE	L=350	7762-1323	1	1	1	1	x1					
			7762-1330					o1	1	1	1	1	1
45	INSULATION TUBE	L=205	7762-1323	1	1	1	1	x1					
			7762-1330					o1	1	1	1	1	1
46	INSULATION TUBE	L=290	7762-1323	1	1	1	1	x1					
			7762-1330					o1	1	1	1	1	1
47	INSULATION TUBE	L=570	7762-1323	1	1	1	1	x1					
			7762-1330					o1	1	1	1	1	1
48	HOLDER / EXP. VALVE - 3/8	SS	3A0107-01	2	2	2	2	2	2	2	2	2	2

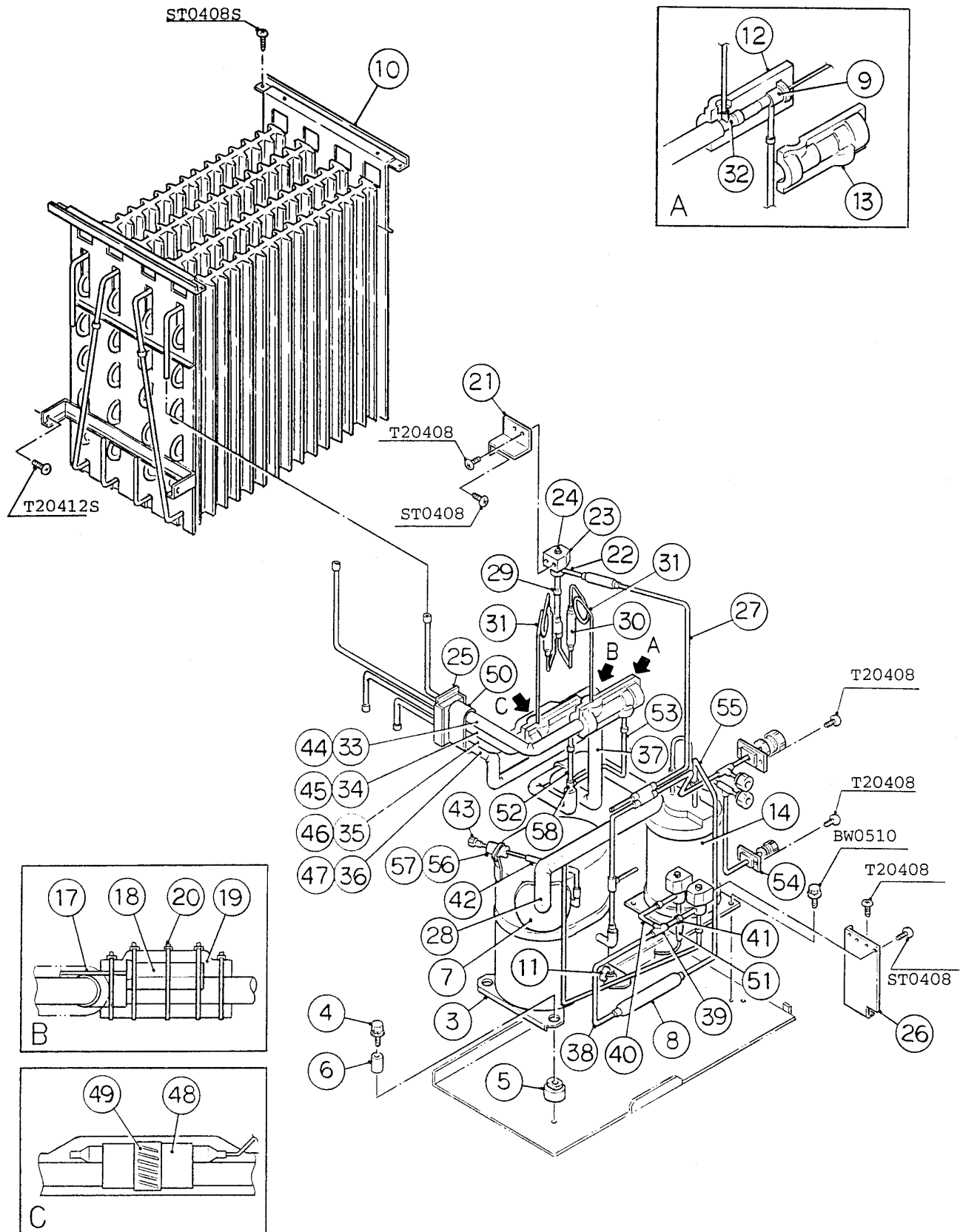
MODEL: <b>KM-1200MWE</b> TITLE: <b>B. REFRIGERATION CIRCUIT</b>														
INDEX NO.	DESCRIPTION	MATERIAL OR MODEL	PART NUMBER	REQUIRED NUMBER										
				C-0	D-1	D-2	E-0	E-1	F-0	F-1	F-2	G-0	G-1	H-0
49	CLAMP	SS	443461-02	2	2	2	2	2	2	2	2	2	2	2
50	INSULATION	PE FOAM	436671-01	1	1	1	1	1	1	1	1	1	1	1
51	COPPER TUBE - ACCESS VALVE	COPPER	443484-01	1	1	1	1	1	1	1	1	1	1	1
52	ACCESS VALVE	TCJ-2F15-HD	417366-01	2	2	2	2	2	2	2	2	2	2	2
53	COPPER TUBE (L) - EXP. VALVE	COPPER	444865-01	1	1	1	1	1	1	1	1	1	1	1
54	COPPER TUBE (R) - EXP. VALVE	COPPER	330663-01	1	1	1	1	1	1	1	1	1	1	1
55	COPPER TUBE (J)	COPPER	437967-01	1	1	1	1	1	1	1	1	1	1	1
56	COPPER TUBE (M)	COPPER	4A0212G01	1	1	1	1	-						
		COPPER	4A0772G01					1	1	1	1	1	1	1
57	COPPER TUBE (P)	COPPER	4A0213G01	1	1	1	1	-						
		COPPER	4A0773G01					1	1	1	1	1	1	1
58	REDUCER	101R-86	436001-01	2	-									
59	INSULATION TUBE	L=40	7762-0717	2	2	2	2	2	2	2	2	3	2	3
60	TIE	CV-100	7920-0002	2	2	2	2	2	2	2	2	3	2	3
61	TEE		420041-02	1	1	1	1	1	1	1	1	1	1	1
62	FRAME (C)		3A0347-01		1	1	1	1	1	1	1	1	1	1
63	DRIER BRACKET	GS	4A0807-01							1	1	1	1	1
64	INSULATION HOLDER	-	3A0979-01											1

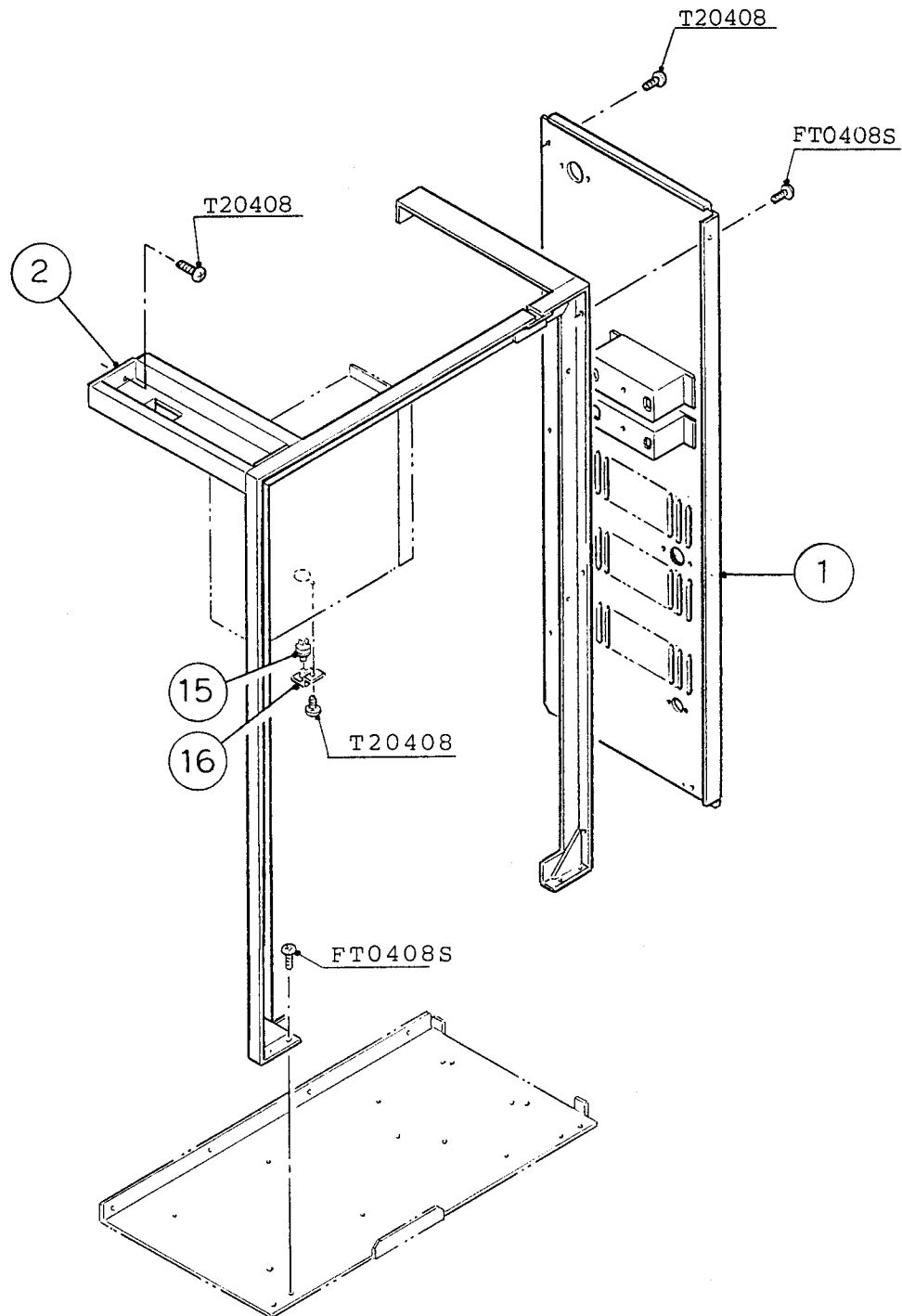
HA

KM-1200MRE

B. REFRIGERATION CIRCUIT (1/2)

C-0, C-1, D-0, D-1, E-0, E-1, F-1



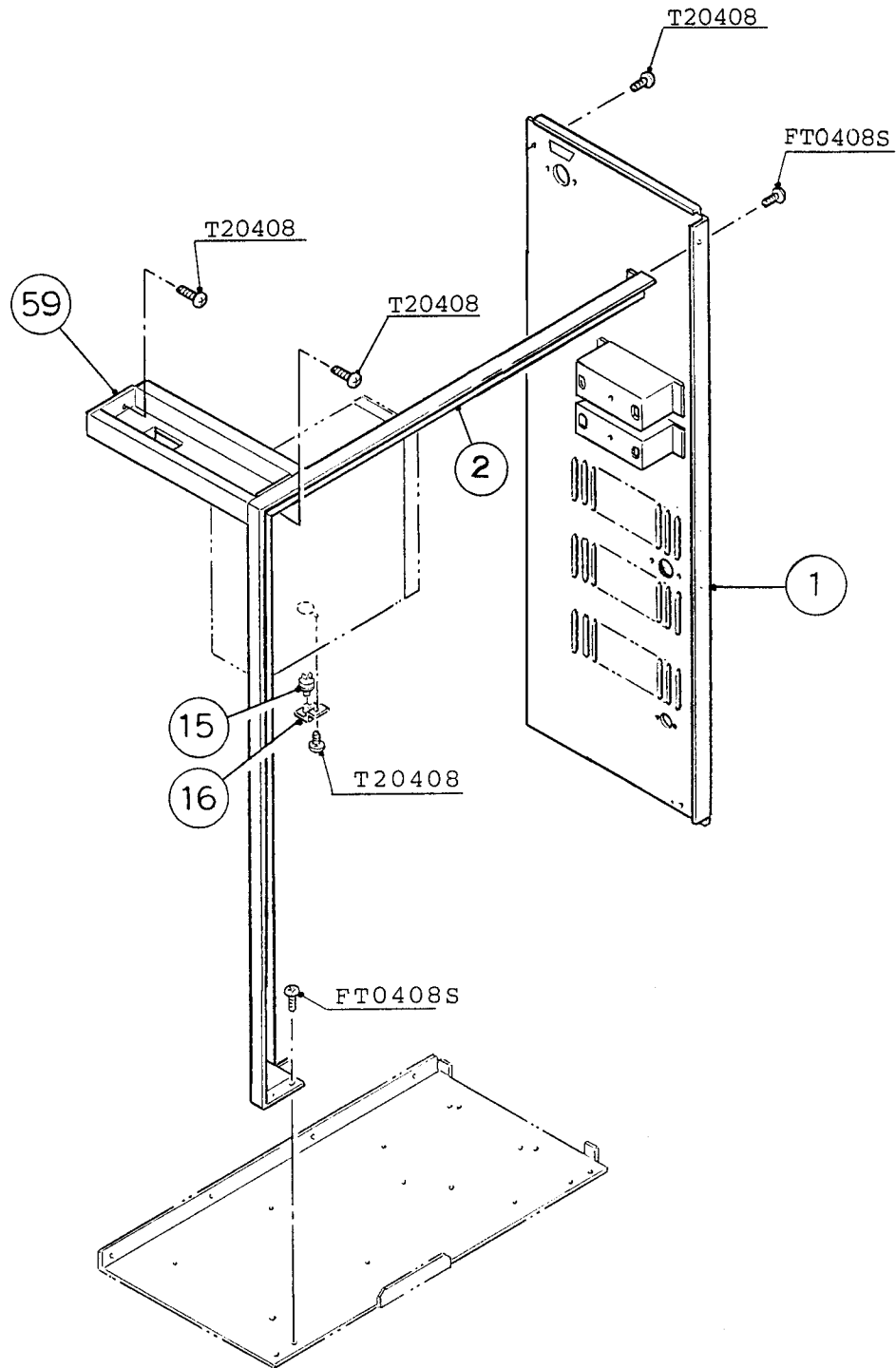


HA

KM-1200MRE

B. REFRIGERATION CIRCUIT (2/2)

D-0, D-1, E-0, E-1, F-1, F-1  
F-2, G-0, G-1, H-0, H-1, H-2  
H-3, J-0

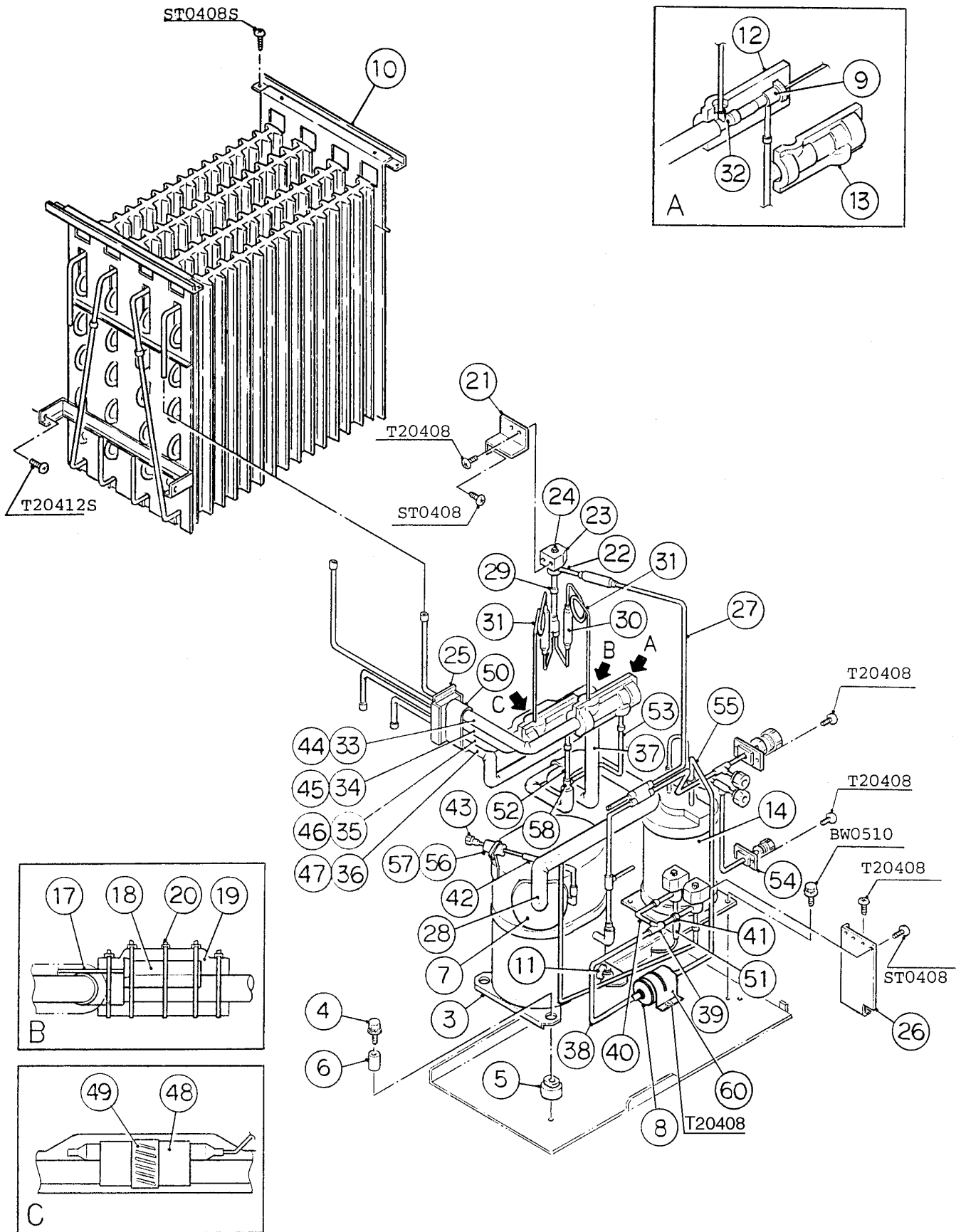


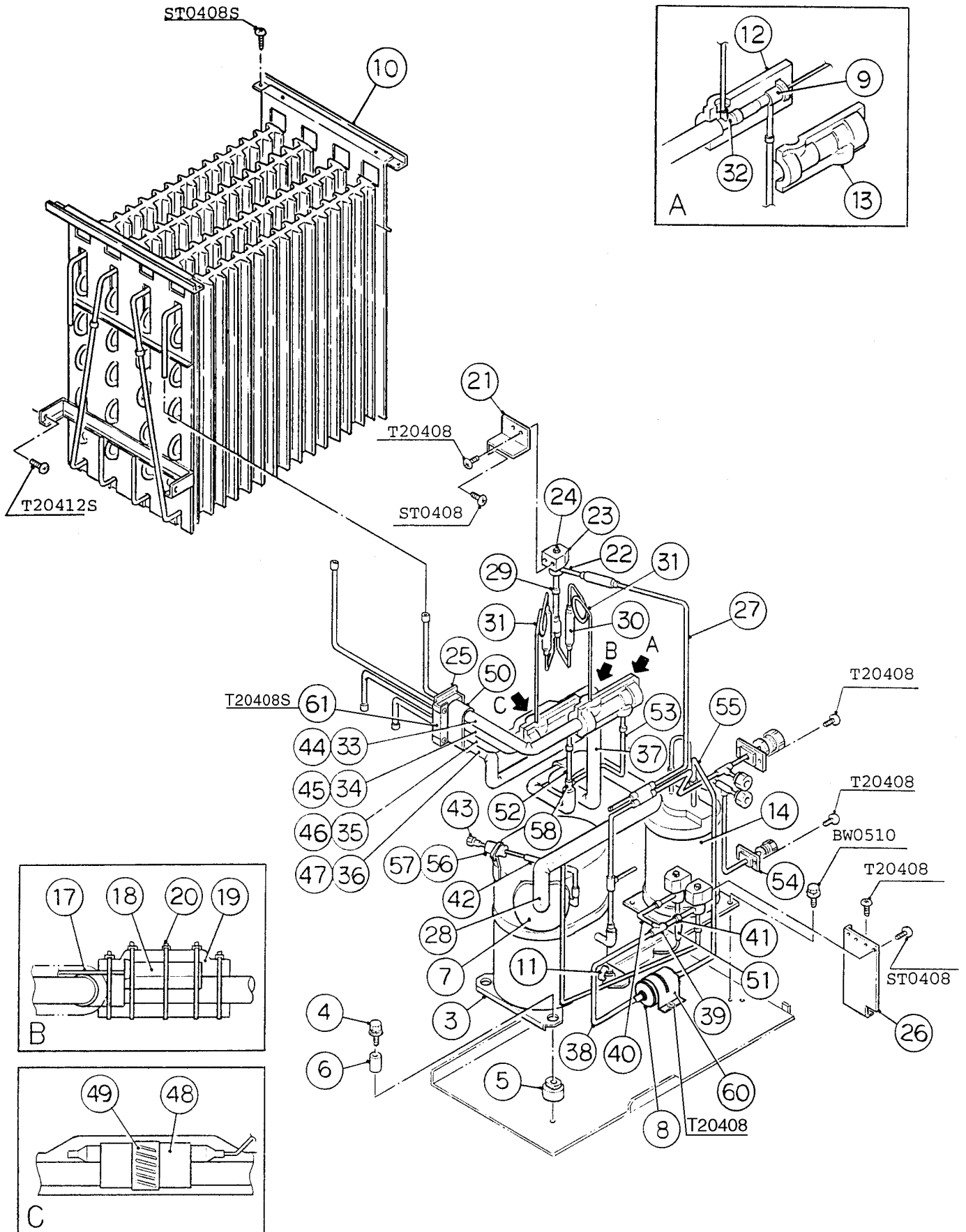
HA

KM-1200MRE

B. REFRIGERATION CIRCUIT (1/2)

F-2, G-0, G-1, H-0, H-1, H-2, H-3



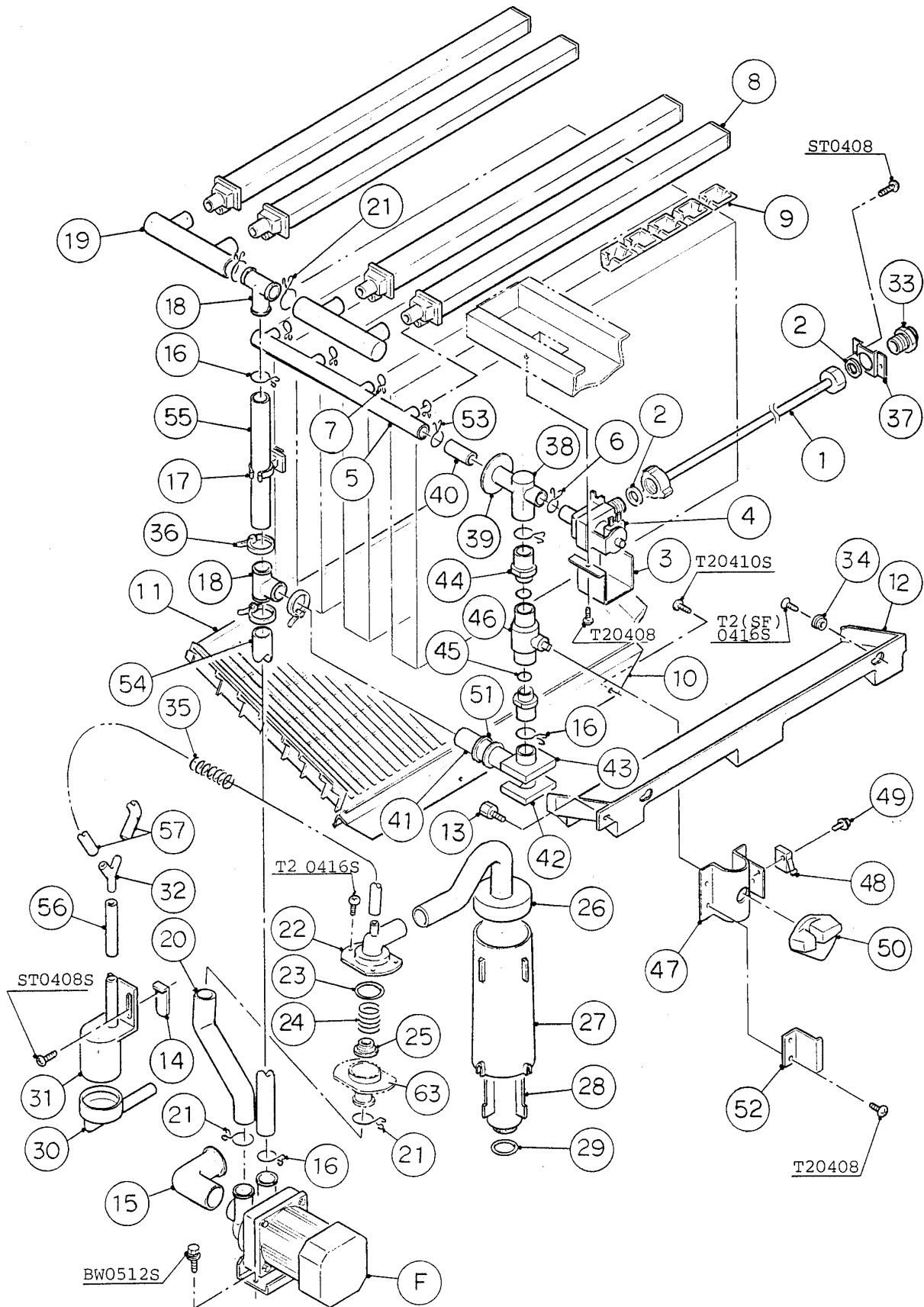


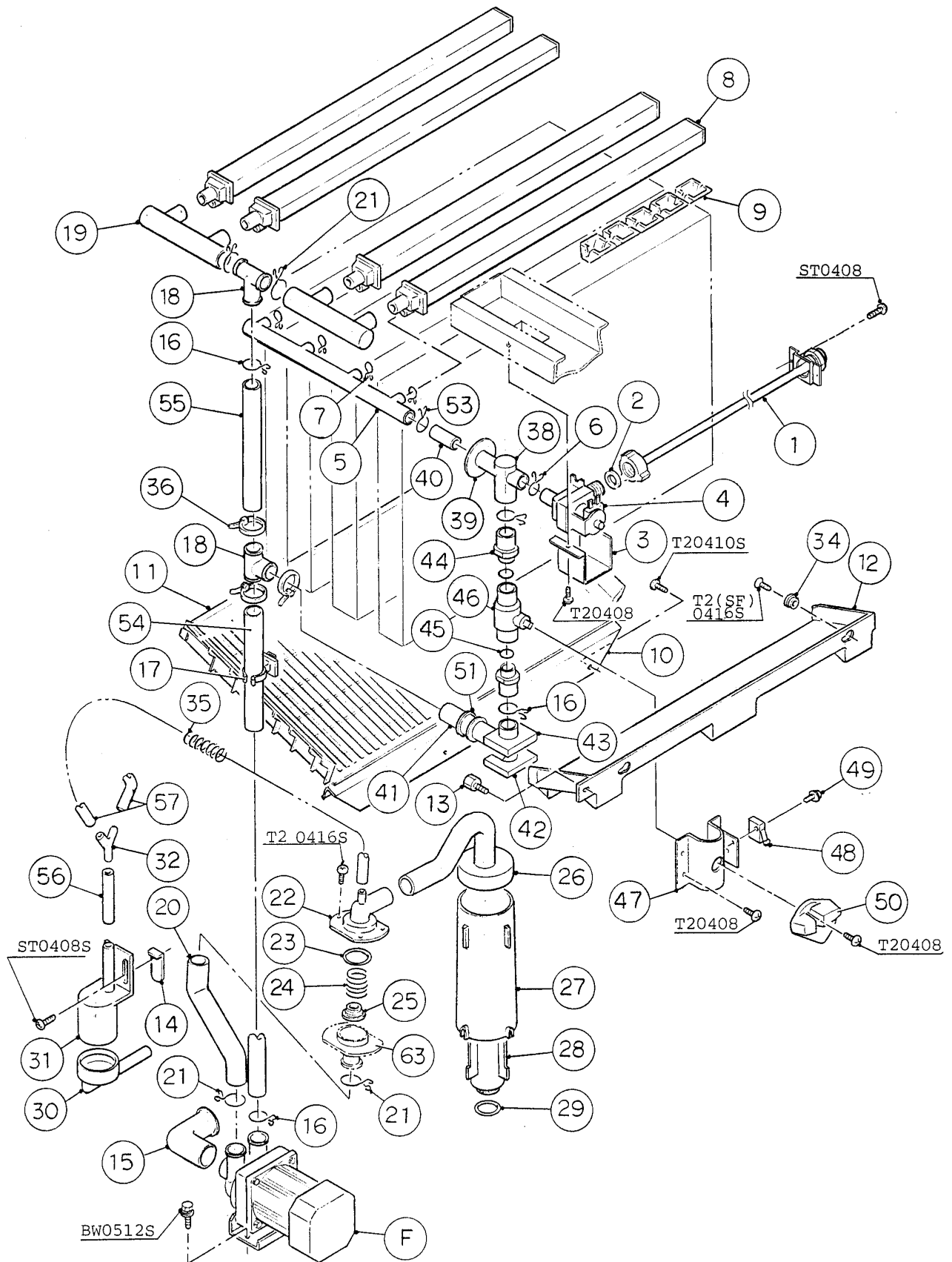
MODEL: KM-1200MRE TITLE: B. REFRIGERATION CIRCUIT													
INDEX NO.	DESCRIPTION	MATERIAL OR MODEL	PART NUMBER	REQUIRED NUMBER									
				C-0	C-1	D-0	D-1 E-0	E-1	F-1	F-2	G-0 G-1	H-0 H-1	H-2 H-3 J-1
1	REAR PANEL	GS	212807G05	1	1	-							
		GS	212807G06			1	1	-					
		GS	212807G07					1	1	1	1	1	1
2	FRAME	GS	212681G02	1	1	-							
		GS	3A0350G01			1	1	1	1	1	1	1	1
3	COMPRESSOR	CR30K6-RFV	443304-02	1	1	1	1	1	1	1	1	1	1
4	BOLT	8x45	437889-01	4	4	4	4	4	4	4	4	4	4
5	GROMMET	027-0167-00	434922-01	4	4	4	4	4	4	4	4	4	4
6	SPACER	028-0188-02	434921-01	4	4	4	4	4	4	4	4	4	4
7	INSULATION - COMPRESSOR	PE	443303-01	1	1	1	1	1	1	1	1	1	1
8	DRIER	KC-7071	427061-02	1	1	1	1	1	1	x1			
		C-0325-S	445007-01							o1	1	1	1
9	EXPANSION VALVE	HFE-10HHD-1	443305-01	2	2	2	2	2	2	2	2	2	2
10	EVAPORATOR	-	104442G01	1	1	1	1	1	1	1	1	1	1
11	CRANKCASE HEATER	CH101-2	443328-01	1	1	1	1	1	1	1	1	1	1
12	EXP. VALVE COVER (A)	PE FOAM	324214-01	2	2	2	2	2	2	2	2	2	2
13	EXP. VALVE COVER (B)	PE FOAM	324214-02	2	2	2	2	2	2	2	2	2	2
14	RECEIVER TANK	PR MN	437652-01	1	1	1	1	1	1	1	1	1	1
15	PRESSURE SWITCH	ACB-2UB04	433441-05	1	1	1	1	1	1	1	1	1	1
16	PRESSURE SWITCH BRCKT.	GS	434938-01	1	1	1	1	1	1	1	1	1	1
17	THERMISTOR	-	429006-03	1	1	1	1	1	1	1	1	1	1
18	HOLDER - THERMISTOR	COPPER	427430-01	1	1	1	1	1	1	1	1	1	1
19	INSULATION - THERMISTOR	PE FOAM	427441-01	1	1	1	1	1	1	1	1	1	1
20	TIE	CV-200	7920-0010	3	3	3	3	3	3	3	3	3	3
21	HOT GAS VALVE BRACKET	GS	444816-01	1	1	1	1	1	1	1	1	1	1
22	VALVE BODY	70	440352-01	3	3	3	3	3	3	3	3	3	3
23	COIL - VALVE	ABS-25-1-HD-2	440353-01	3	3	3	3	3	3	3	3	3	3
24	BOLT	4x6	440353F01	3	3	3	3	3	3	3	3	3	3



MODEL: <b>KM-1200MRE</b> TITLE: <b>B. REFRIGERATION CIRCUIT</b>													
INDEX NO.	DESCRIPTION	MATERIAL OR MODEL	PART NUMBER	REQUIRED NUMBER									
				C-0	C-1	D-0	D-1 E-0	E-1	F-1	F-2	G-0 G-1	H-0 H-1	H-2 H-3 J-1
25	INSULATED RUBBER TUBE	EPDM	323975G01	1	1	1	1	1	1	1	1	1	1
26	LINE VALVE BRACKET	GS	330633-01	1	1	1	1	1	1	1	1	1	1
27	COPPER TUBE (A) - HIGH SIDE	COPPER	106326G01	1	1	1	1	1	1	1	1	1	1
28	HEAT EXCHANGER	-	106330G01	1	1	1	1	1	1	1	1	1	1
29	COPPER TUBE - HOT GAS	COPPER	330667G01	1	1	1	1	1	1	1	1	1	1
30	CHECK VALVE	YCV5-2	425342-01	2	2	2	2	2	2	2	2	2	2
31	COPPER TUBE - HOT GAS	COPPER	330623-01	2	2	2	2	2	2	2	2	2	2
32	TEE	111R-662	436000-10	2	2	2	2	2	2	2	2	2	2
33	COPPER TUBE (A) - LOW SIDE	COPPER	330631-01	1	1	1	1	1	1	1	1	1	1
34	COPPER TUBE (B) - LOW SIDE	COPPER	330632-01	1	1	1	1	1	1	1	1	1	1
35	COPPER TUBE (E) - LOW SIDE	COPPER	330626-01	1	1	1	1	1	1	1	1	1	1
36	COPPER TUBE (F) - LOW SIDE	COPPR	330625-01	1	1	1	1	1	1	1	1	1	1
37	COPPER TUBE (S) - LOW SIDE	COPPER	330614G01	1	1	1	1	1	1	1	1	1	1
38	COPPER TUBE (D) - HIGH SIDE	COPPER	444873-01	1	1	1	1	1	1	1	1	1	1
39	TEE	KC-7074	420041-11	1	1	1	1	1	1	1	1	1	1
40	COPPER TUBE (E) - HIGH SIDE	COPPER	444869-01	1	1	1	1	1	1	1	1	1	1
41	COPPER TUBE - LINE VALVE	COPPER	444872-01	1	1	1	1	1	1	1	1	1	1
42	COPPER TUBE - ACCESS VALVE	COPPER	443484-01	1	1	1	1	1	1	1	1	1	1
43	ACCESS VALVE	TCJ-2F15-HD	417366-01	1	1	1	1	1	1	1	1	1	1
44	INSULATION TUBE	L=350	7762-1323	1	1	1	1	1	x1				
			7762-1330						o1	1	1	1	1
45	INSULATION TUBE	L=205	7762-1323	1	1	1	1	1	x1				
			7762-1330						o1	1	1	1	1
46	INSULATION TUBE	L=290	7762-1323	1	1	1	1	1	x1				
			7762-1330						o1	1	1	1	1
47	INSULATION TUBE	L=570	7762-1323	1	1	1	1	1	x1				
			7762-1330						o1	1	1	1	1

MODEL: <b>KM-1200MRE</b> TITLE: <b>B. REFRIGERATION CIRCUIT</b>													
INDEX NO.	DESCRIPTION	MATERIAL OR MODEL	PART NUMBER	REQUIRED NUMBER									
				C-0	C-1	D-0	D-1 E-0	E-1	F-1	F-2	G-0 G-1	H-0 H-1 H-2 H-3	J-1
48	HOLDER / EXP. VALVE - 3/8	SS	3A0107-01	2	2	2	2	2	2	2	2	2	2
49	CLAMP	SS	443461-02	2	2	2	2	2	2	2	2	2	2
50	INSULATION	PE FOAM	436671-01	1	1	1	1	1	1	1	1	1	1
51	COPPER TUBE - CAPILLARY	COPPER	443330G01	1	1	1	1	1	1	1	1	1	1
52	COPPER TUBE (L) - EXP. VALVE	COPPER	444865-01	1	1	1	1	1	1	1	1	1	1
53	COPPER TUBE (R) - EXP. VALVE	COPPER	330663-01	1	1	1	1	1	1	1	1	1	1
54	COPPER TUBE (C) - HIGH SIDE	COPPER	3A0192G01	1	1	1	1	1	1	1	1	1	1
55	COPPER TUBE (G) - HIGH SIDE	COPPER	330616-01	1	1	1	1	1	1	1	1	1	1
56	INSULATION TUBE	L=40	7760-0717	1	1	1	1	1	1	1	1	1	1
57	TIE	CV-100	7920-0002	1	1	1	1	1	1	1	1	1	1
58	TEE		420041-02	1	1	1	1	1	1	1	1	1	1
59	FRAME (C)	GS	3A0347-01			1	1	1	1	1	1	1	1
60	DRIER BRACKET	GS	4A0807-01							1	1	1	1
61	INSULATION HOLDER	-	3A0979-01										1



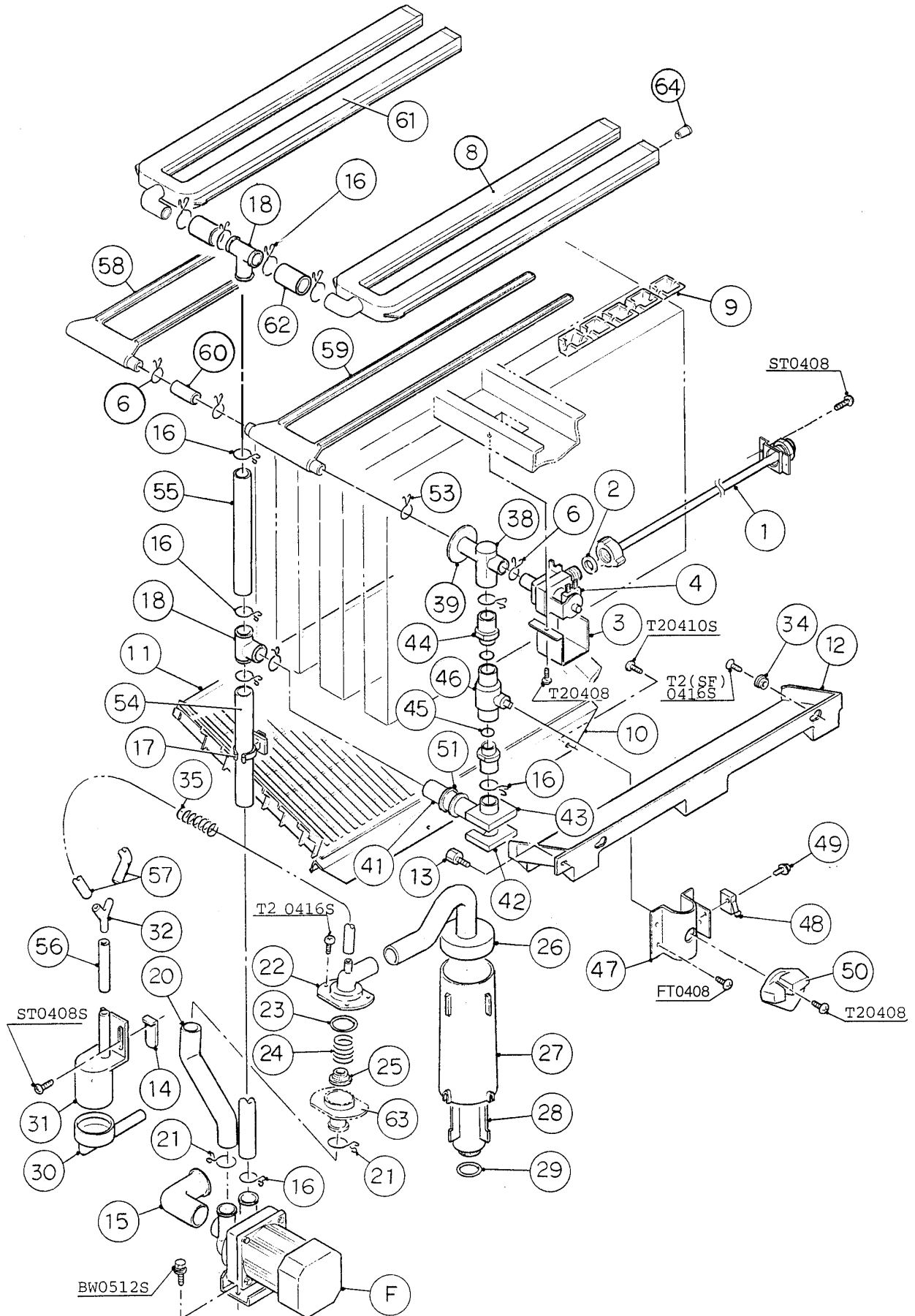


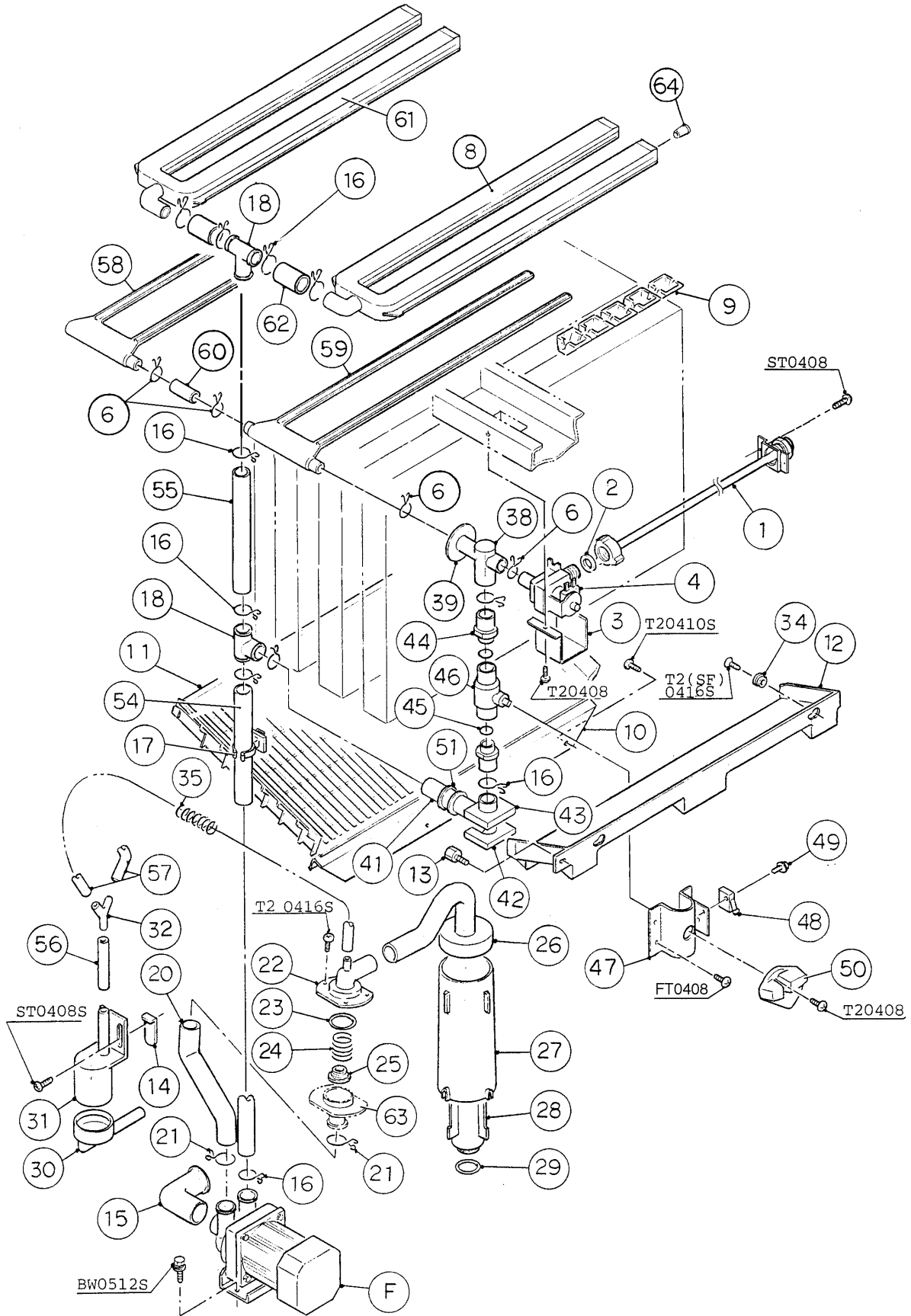
HA

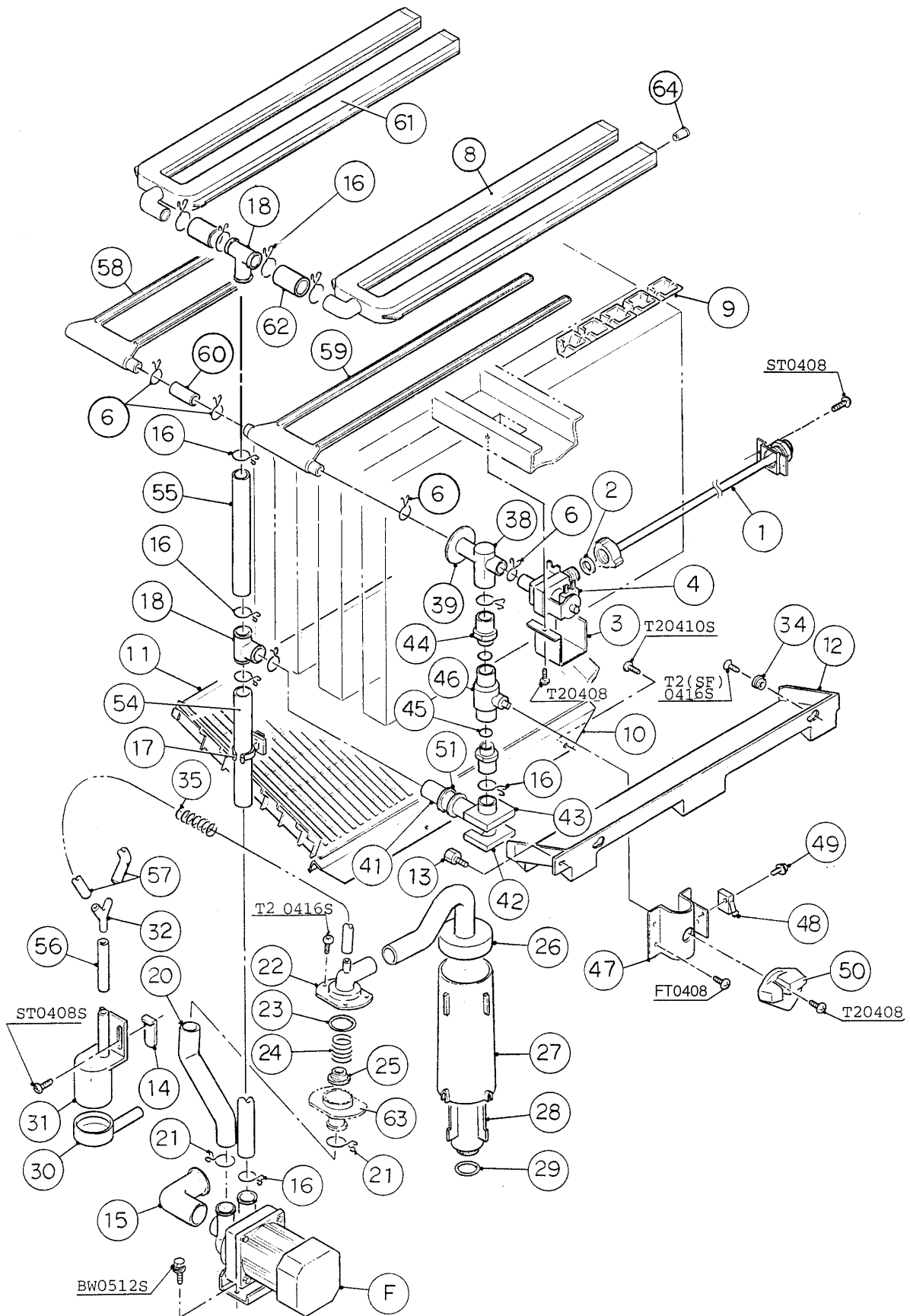
KM-1200MAE, MRE

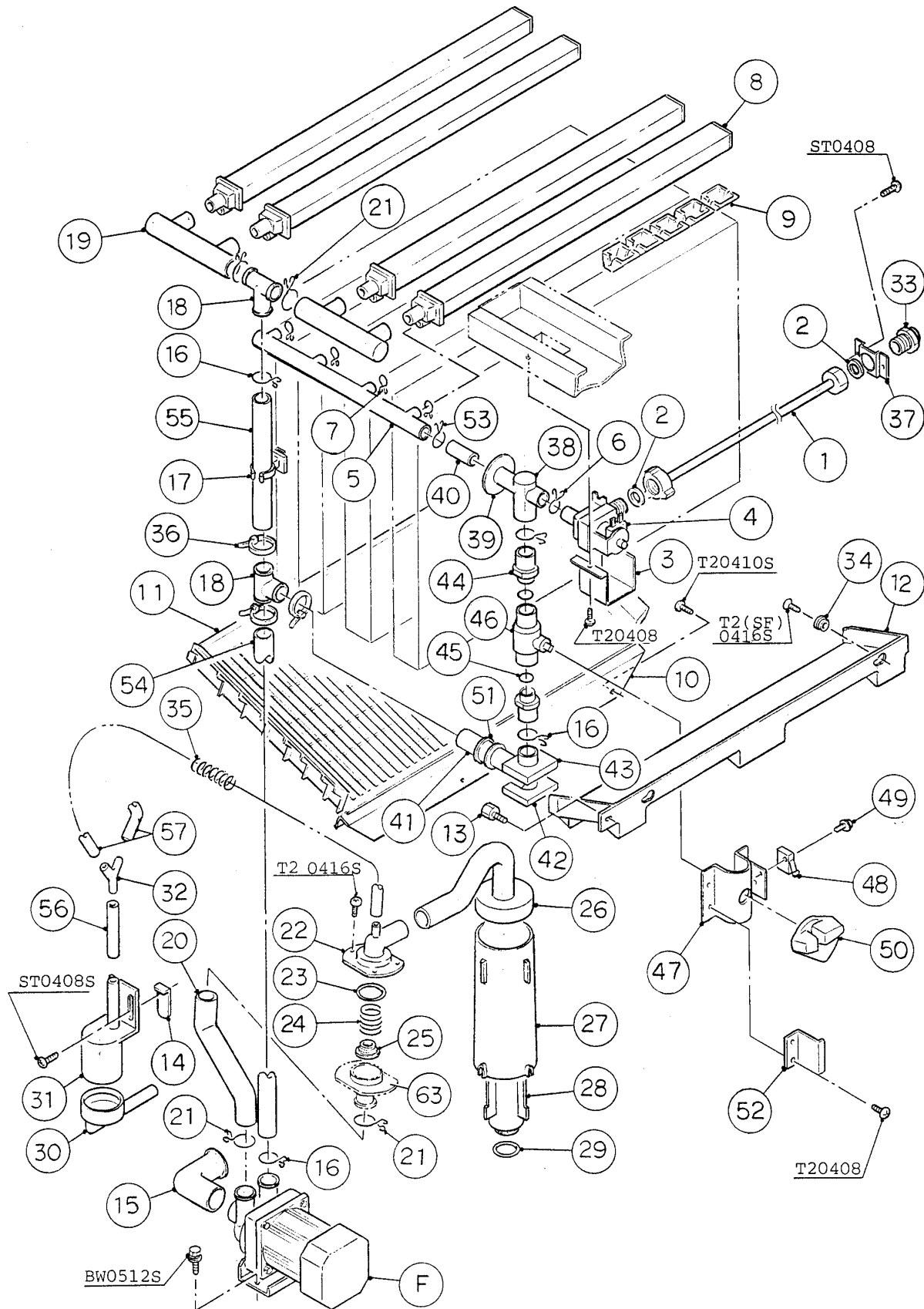
C. WATER CIRCUIT

D-1, E-0, E-1, F-1, F-2, G-0, G-1

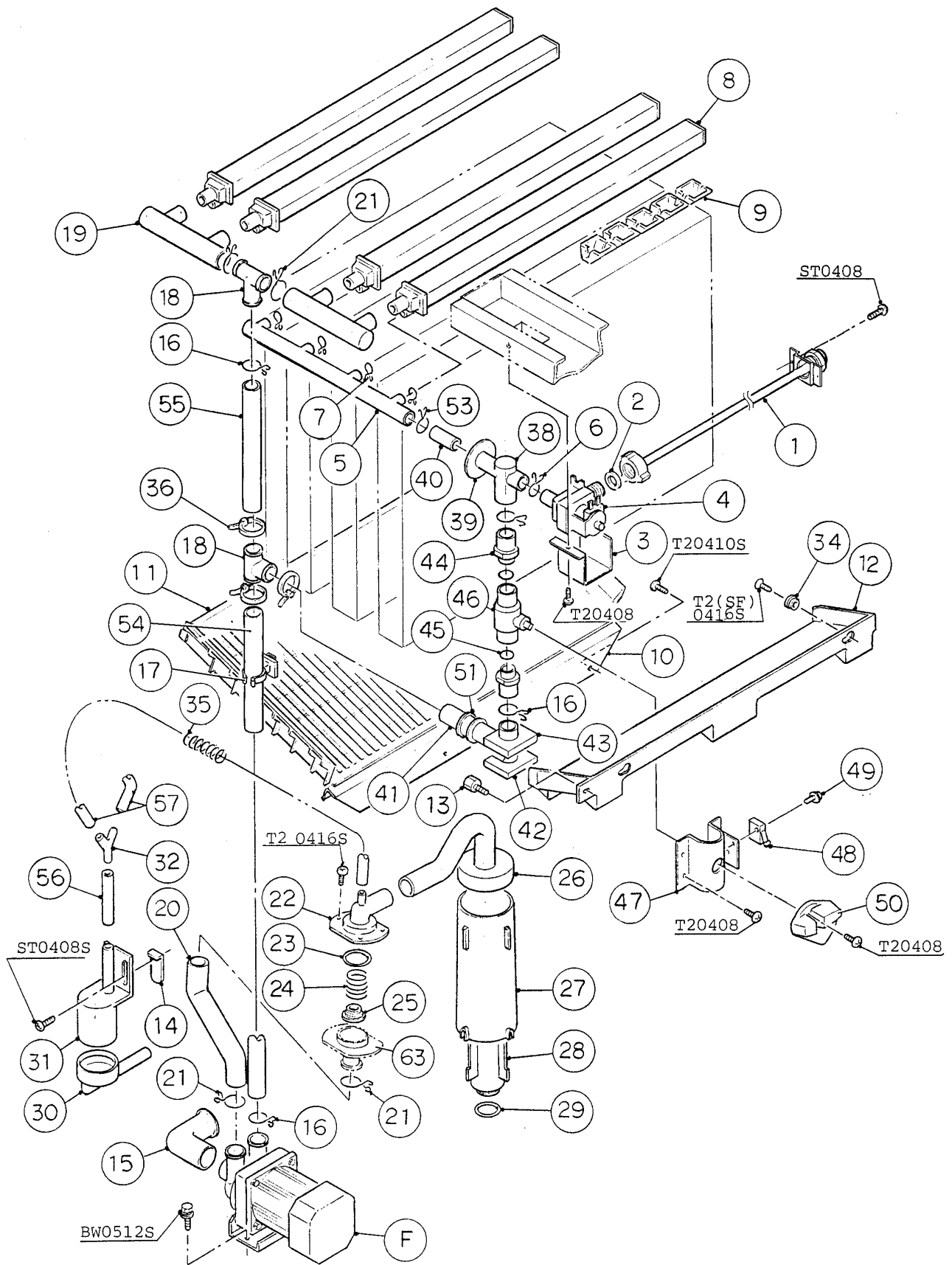










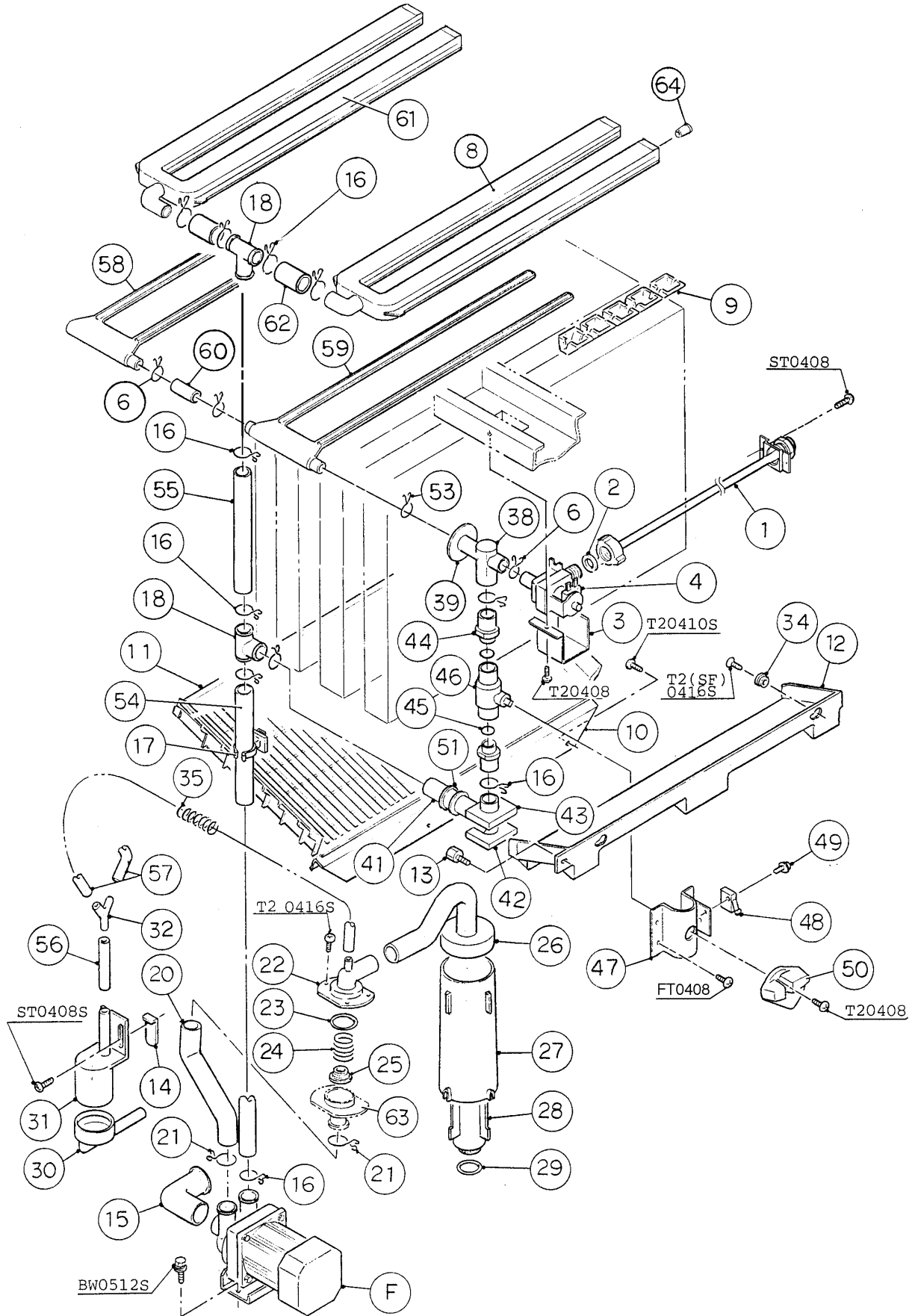


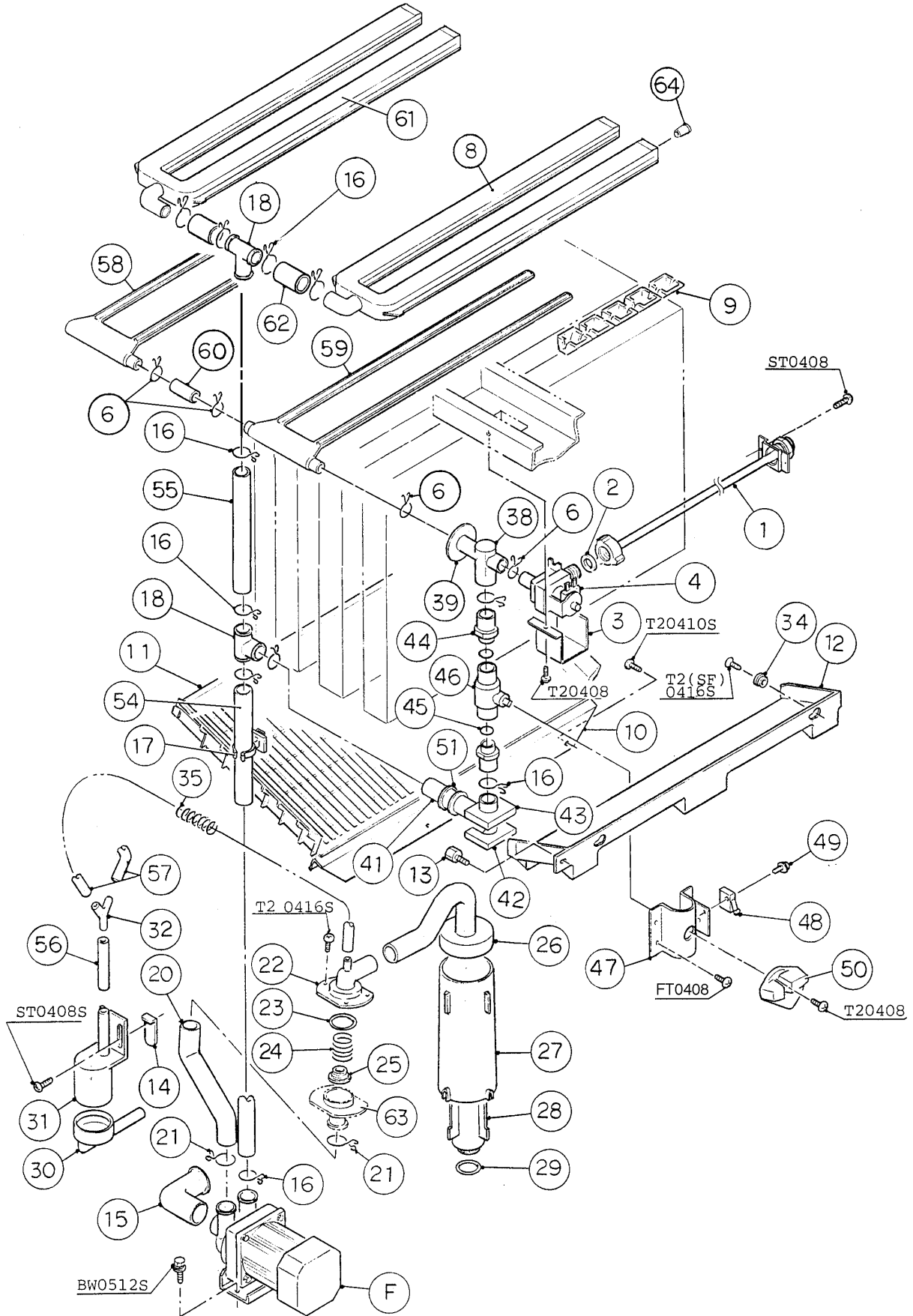
HA

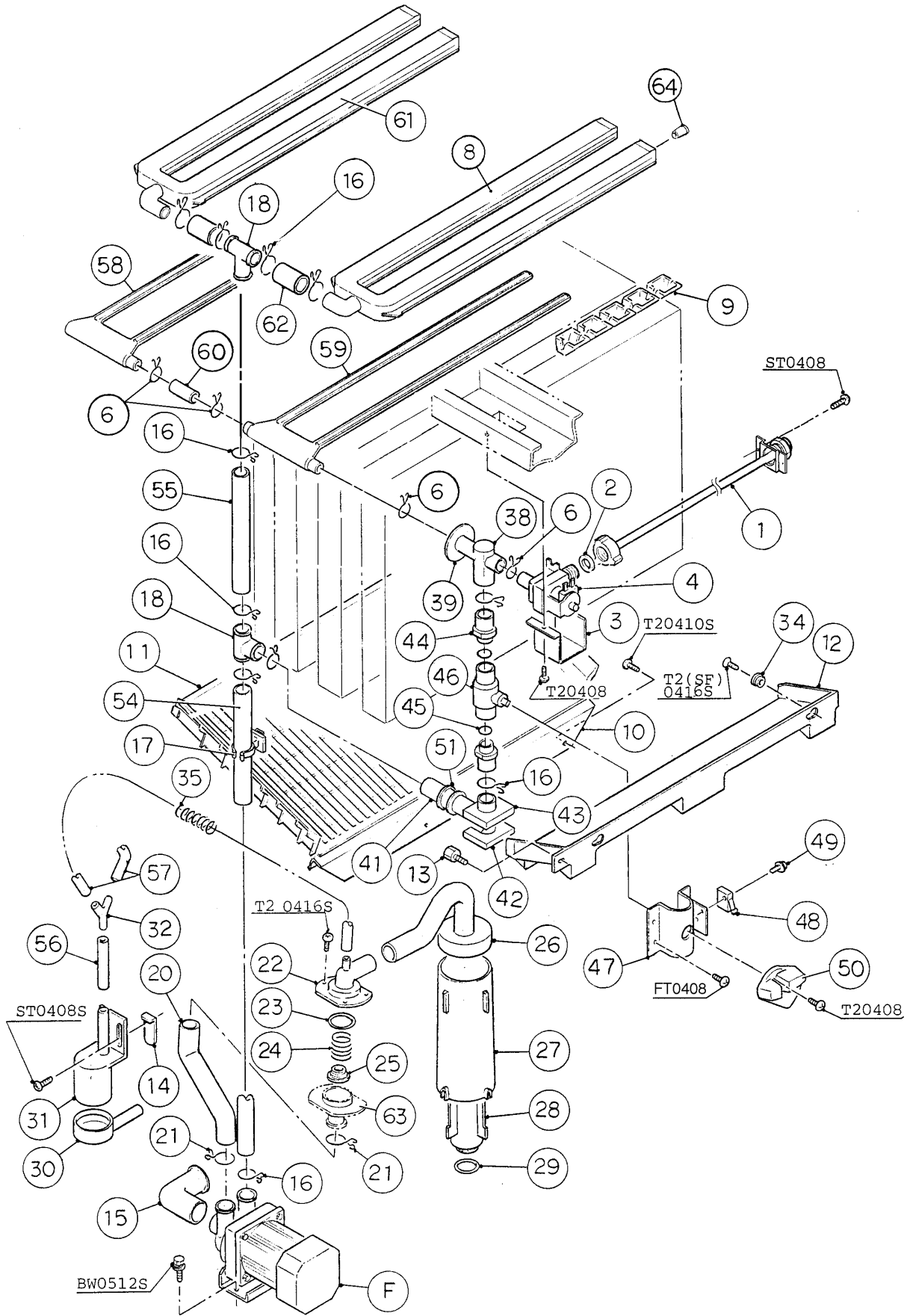
KM-1200MWE

C. WATER CIRCUIT

D-2, E-0, E-1, F-0, F-1, F-2, G-0







MODEL: KM-1200MAE TITLE: C. WATER CIRCUIT													
INDEX NO.	DESCRIPTION	MATERIAL OR MODEL	PART NUMBER	REQUIRED NUMBER									
				C-0	C-1	D-0	D-1	E-0	E-1	F-1 F-2 G-0	G-1	H-0	H-2 H-3 J-0
F	PUMP MOTOR ASSEMBLY	(S-0731)	215693A01	1	1	1	1	1	1	1	1	1	1
1	WATER SUPPLY PIPE	COPPER	4A0156G01	1	-								
		COPPER	4A0207G01		1	1	1	1	-				
		COPPER	4A0768G01						1	1	1	1	1
2	RUBBER GASKET	NR	413854-01	2	1	1	1	1	x1				
		NR	413854-03						o1	1	1	1	1
3	WATER VALVE BRACKET	GS	321443-01	1	1	1	1	1	1	1	1	1	1
4	WATER VALVE	J248-030	3U0111-01	1	1	1	1	1	1	1	1	1	1
5	DISTRIBUTOR HOSE	EPDM	325933-01	1	1	1	-						
6	HOSE CLAMP	SS, 18MM	427443-05	1	1	1	3	3	3	3	3	4	4
7	HOSE CLAMP	SS, 13.5MM	427443-07	4	4	4	-						
8	SPRAY TUBE	ABS	433520G01	4	4	4	-						
		PE	1A0019-01				1	1	1	1	1	1	x1
		PE	1A0260-01										o1
9	SPRAY GUIDE (A)	PE	208586-01	12	12	12	12	12	12	12	12	12	12
10	PLATE	SS	3A0133-01	1	1	1	1	1	1	1	1	1	1
11	CUBE GUIDE (A)	SS	214905-01	1	1	1	1	1	1	1	1	1	1
12	CUBE GUIDE (B)	ABS	322644-02	1	1	1	1	1	1	1	1	1	1
13	THUMBSCREW	ABS, SS	415949G01	1	1	1	1	1	1	1	1	1	1
14	FLOAT SWITCH STOP	SS	4A0137-01	1	1	1	1	1	1	1	1	1	1
15	HOSE (A)	EPDM	435091-01	1	1	1	1	1	1	1	1	1	1
16	HOSE CLAMP	SS, 25MM	427443-03	4	4	4	11	11	11	11	11	11	11
17	HOLDER	PP	322692-01	2	1	1	1	1	1	1	1	1	1
18	DISTRIBUTOR	ABS	432426-01	2	2	2	2	2	2	2	2	2	2
19	DISTRIBUTOR HOSE (B)	EPDM	432432-01	2	2	2	-						
20	DRAIN HOSE	EPDM	435092-01	1	1	1	1	1	1	1	1	1	1
21	HOSE CLAMP	SS, 27MM	427443-08	4	4	4	6	2	2	2	2	2	2

MODEL: KM-1200MAE TITLE: C. WATER CIRCUIT													
INDEX NO.	DESCRIPTION	MATERIAL OR MODEL	PART NUMBER	REQUIRED NUMBER									
				C-0	C-1	D-0	D-1	E-0	E-1	F-1 F-2	G-0 G-1 H-0	H-2	H-3 J-0
22	DRAIN VALVE (B)	ABS	322693-01	1	1	1	1	1	1	1	1	-	
		-	3A1170-01									1	1
23	"O" RING	1AG35	7611-G035	1	1	1	1	1	1	1	1	1	1
24	SPRING	SS	322685-01	1	1	1	1	1	1	1	1	1	1
25	VALVE SHEET	EPDM	433705-01	1	1	1	1	1	1	1	1	1	1
26	HOSE (C)	EPDM	326655-01	1	1	1	1	1	1	1	1	1	1
27	OVERFLOW CAP	ABS	322816-01	1	1	1	1	1	1	1	1	1	1
28	OVERFLOW PIPE	ABS	322691-01	1	1	1	1	1	1	1	1	1	1
29	"O" RING	1AP32	7611-P032	1	1	1	1	1	1	1	x1		
		-	4A1234-01								o1	1	1
30	CONNECTOR - FLOAT SWITCH	EPDM	426799-01	1	1	1	1	1	1	1	1	1	x1
		-	3A1325-01										o1
31	FLOAT SWITCH	FS-0893A-2	430417-02	1	1	1	1	1	1	x1			
		163790	4A0886-02								o1	1	1
32	CONNECTOR	ABS	432763-01	1	1	1	1	1	1	1	1	1	1
33	FITTING - INLET	BRASS	436552-01	1	-								
34	COLLAR	ABS	435269-01	2	2	2	2	2	2	2	2	2	2
35	SPRING	SS	435825-01	1	1	1	1	1	1	1	1	1	1
36	TIE	CV-200	7920-0010	3	3	3	-						
37	FITTING HOLDER - INLET	GS	436550-01	1	-								
38	TEE	EPDM	439197-01	1	1	1	-						
		EPDM	4A0177-01				1	1	1	1	1	1	1
39	FLANGE	EPDM	439267-01	1	1	1	1	1	1	1	1	1	1
40	JOINT PIPE	ABS	439329-01	1	1	1	-						
41	BYPASS HOSE	EPDM	439265-01	1	1	1	1	1	1	1	1	1	1
42	CORNER INSULATION (A)	PE FOAM	439376-01	1	1	1	1	1	1	1	1	1	1
43	CORNER INSULATION (B)	PE FOAM	439392-01	1	1	1	1	1	1	1	1	1	1
44	MALE ADAPTOR	ABS	325826-01	2	2	2	2	2	2	2	2	2	2

MODEL: KM-1200MAE TITLE: C. WATER CIRCUIT													
INDEX NO.	DESCRIPTION	MATERIAL OR MODEL	PART NUMBER	REQUIRED NUMBER									
				C-0	C-1	D-0	D-1	E-0	E-1	F-1 F-2 G-0 G-1	H-0	H-2	H-3 J-0
45	"O" RING	1AP18	7611-P018	2	2	2	2	2	2	2	2	2	2
46	BALL VALVE	PVC	439293-01	1	1	1	1	1	1	1	1	1	1
47	VALVE HOLDER	GS	325825-01	1	1	1	1	1	1	1	1	x1	
		GS	3A1178-01										o1
48	MICRO SWITCH	AH-8064	436386-01	1	x1								
		ABV1636614F01	444193-01		o1	x1							
		V3L-III-08	4A0365-01			o1	1	1	1	1	1	1	1
49	TAPPING SCREW	3x14	431415-02	2	2	2	2	2	2	2	2	2	2
50	HANDLE	JH1352	215383-01	1	1	1	1	1	1	1	1	1	1
51	RUBBER RING	TSE2571-5U	439236-01	1	1	1	1	1	1	x1			
		EPDM	439236-01								o1	1	1
52	HANDLE BRACKET	GS	439929-01	1	-								
53	HOSE CLAMP	SS 20MM	427443-06	1	1	1	1	1	1	1	-		
54	VINYL HOSE	L=670	7716-2025	1	1	1	1	1	1	1	1	1	1
55	VINYL HOSE	L=200	7716-2025	1	1	1	x1						
		L=190	7716-2025				o1	1	1	1	1	1	1
56	VINYL HOSE	L=80	7716-0913	1	1	1	1	1	1	1	x1		
	SILICONE HOSE	L=80	773013812								o1	1	1
57	VINYL HOSE	L=180	7716-0913	2	2	2	2	2	2	2	2	2	2
58	WATER SUPPLY TUBE	PE	2A0079-01				1	1	1	1	1	1	1
59	WATER SUPPLY TUBE	PE	2A0079-02				1	1	1	1	1	1	1
60	VINYL HOSE	L=58	7716-1216				1	1	x1				
			7716-1519						o1	1	1	1	1
61	SPRAY TUBE	PE	1A0019-02				1	1	1	1	1	x1	
		-	1A0260-02									o1	1
62	VINYL HOSE	L=63	7716-2025				2	2	2	2	2	2	2
63	VALVE HOUSING - DRAIN	ABS	435054-01	1	1	1	1	1	1	1	1	1	1
64	PLUG	EPDM	4A0176-01				4	4	4	4	4	4	4

MODEL: KM-1200MWE TITLE: C. WATER CIRCUIT													
INDEX NO.	DESCRIPTION	MATERIAL OR MODEL	PART NUMBER	REQUIRED NUMBER									
				C-0	D-1	D-2	E-0	E-1	F-0	F-1 F-2 G-0	G-1 H-0	H-1	H-2 J-0
F	PUMP MOTOR ASSEMBLY	(S-0731)	215693A01	1	1	1	1	1	1	1	1	1	1
1	WATER SUPPLY PIPE	COPPER	4A0156G01	1	-								
		COPPER	4A0207G01		1	1	1	-					
		COPPER	4A0768G01					1	1	1	1	1	1
2	RUBBER GASKET	NR	413854-01	2	1	1	1	x1					
		NR	413854-03					o1	1	1	1	1	1
3	WATER VALVE BRACKET	GS	321443-01	1	1	1	1	1	1	1	1	1	1
4	WATER VALVE	J248-030	3U0111-01	1	1	1	1	1	1	1	1	1	1
5	DISTRIBUTOR HOSE	EPDM	325933-01	1	1	-							
6	HOSE CLAMP	SS, 18MM	427443-05	1	1	3	3	3	3	3	4	4	4
7	HOSE CLAMP	SS, 13.5MM	427443-07	4	4	-							
8	SPRAY TUBE	ABS	433520G01	4	4	-							
		PE	1A0019-01			1	1	1	1	1	1	x1	
		PE	1A0260-01									o1	1
9	SPRAY GUIDE (A)	PE	208586-01	12	12	12	12	12	12	12	12	12	12
10	PLATE	SS	3A0133-01	1	1	1	1	1	1	1	1	1	1
11	CUBE GUIDE (A)	SS	214905-01	1	1	1	1	1	1	1	1	1	1
12	CUBE GUIDE (B)	ABS	322644-02	1	1	1	1	1	1	1	1	1	1
13	THUMBSCREW	ABS, SS	415949G01	1	1	1	1	1	1	1	1	1	1
14	FLOAT SWITCH STOP	SS	4A0137-01	1	1	1	1	1	1	1	1	1	1
15	HOSE (A)	EPDM	435091-01	1	1	1	1	1	1	1	1	1	1
16	HOSE CLAMP	SS, 25MM	427443-03	4	4	11	11	11	11	11	11	11	11
17	HOLDER	PP	322692-01	2	1	1	1	1	1	1	1	1	1
18	DISTRIBUTOR	ABS	432426-01	2	2	2	2	2	2	2	2	2	2
19	DISTRIBUTOR HOSE (B)	EPDM	432432-01	2	2	-							
20	DRAIN HOSE	EPDM	435092-01	1	1	1	1	1	1	1	1	1	1
21	HOSE CLAMP	SS, 27MM	427443-08	4	4	6	2	2	2	2	2	2	2
22	DRAIN VALVE (B)	ABS	322693-01	1	1	1	1	1	1	1	1	-	
		-	3A1170-01									1	1



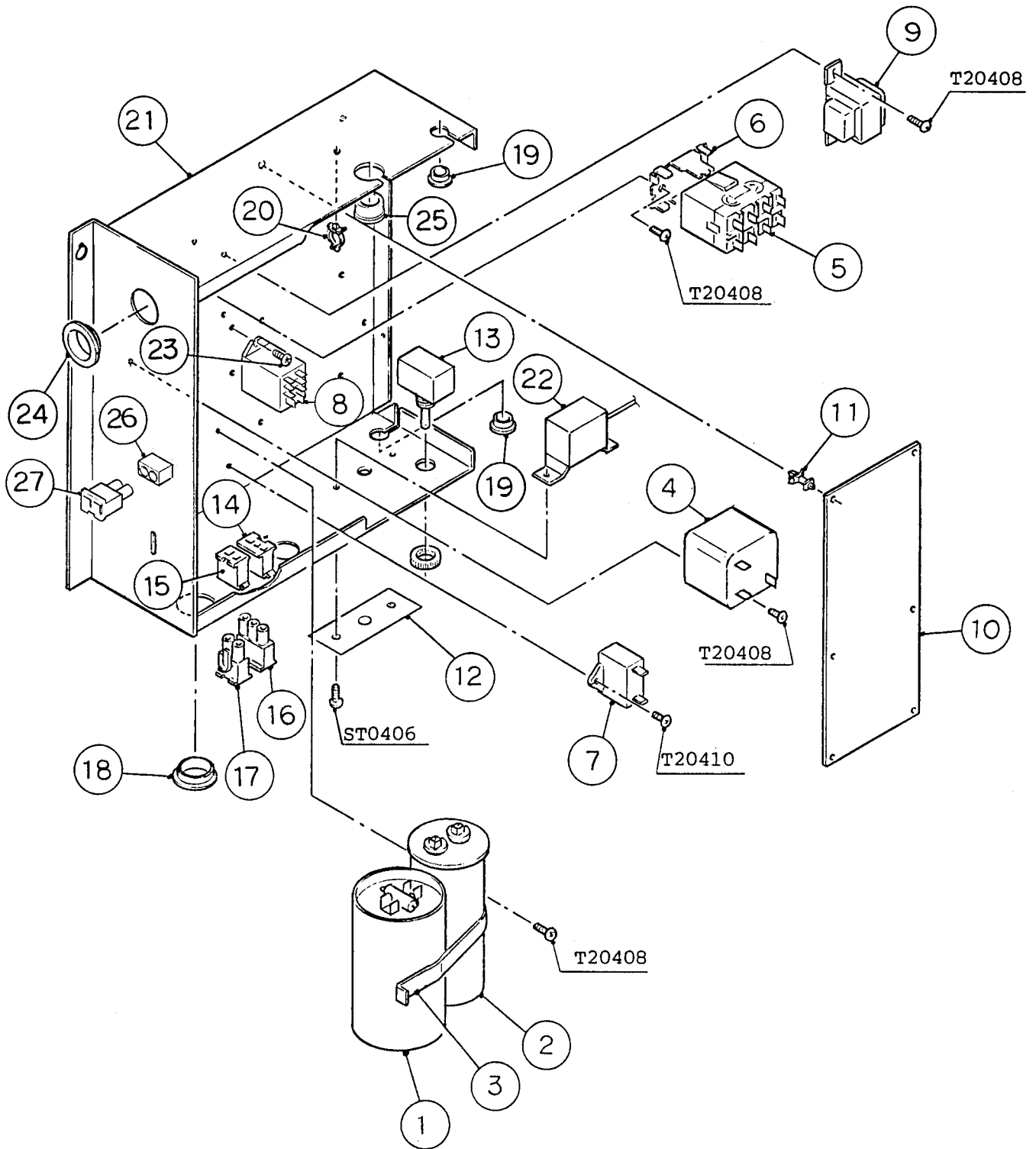
MODEL: KM-1200MWE TITLE: C. WATER CIRCUIT													
INDEX NO.	DESCRIPTION	MATERIAL OR MODEL	PART NUMBER	REQUIRED NUMBER									
				C-0	D-1	D-2	E-0	E-1	F-0 F-1 F-2	G-0	G-1 H-0	H-1 H-2	J-0
23	"O" RING	1AG35	7611-G035	1	1	1	1	1	1	1	1	1	1
24	SPRING	SS	322685-01	1	1	1	1	1	1	1	1	1	1
25	VALVE SHEET	EPDM	433705-01	1	1	1	1	1	1	1	1	1	1
26	HOSE (C)	EPDM	326655-01	1	1	1	1	1	1	1	1	1	1
27	OVERFLOW CAP	ABS	322816-01	1	1	1	1	1	1	1	1	1	1
28	OVERFLOW PIPE	ABS	322691-01	1	1	1	1	1	1	1	1	1	1
29	"O" RING	1AP32	7611-P032	1	1	1	1	1	1	x1			
		-	4A1234-01							o1	1	1	1
30	CONNECTOR - FLOAT SWITCH	EPDM	426799-01	1	1	1	1	1	1	1	1	1	x1
		-	3A1325-01										o1
31	FLOAT SWITCH	FS-0893A-2	430417-02	1	1	1	1	1	x1				
		163790	4A0886-02						o1	1	1	1	1
32	CONNECTOR	ABS	432763-01	1	1	1	1	1	1	1	1	1	1
33	FITTING - INLET	BRASS	436552-01	1	-								
34	COLLAR	ABS	435269-01	2	2	2	2	2	2	2	2	2	2
35	SPRING	SS	435825-01	1	1	1	1	1	1	1	1	1	1
36	TIE	CV-200	7920-0010	3	3	3	-						
37	FITTING HOLDER - INLET	GS	436550-01	1	-								
38	TEE	EPDM	439197-01	1	1	-							
		EPDM	4A0177-01			1	1	1	1	1	1	1	1
39	FLANGE	EPDM	439267-01	1	1	1	1	1	1	1	1	1	1
40	JOINT PIPE	ABS	439329-01	1	1	1							
41	BYPASS HOSE	EPDM	439265-01	1	1	1	1	1	1	1	1	1	1
42	CORNER INSULATION (A)	PE FOAM	439376-01	1	1	1	1	1	1	1	1	1	1
43	CORNER INSULATION (B)	PE FOAM	439392-01	1	1	1	1	1	1	1	1	1	1
44	MALE ADAPTOR	ABS	325826-01	2	2	2	2	2	2	2	2	2	2
45	"O" RING	1AP18	7611-P018	2	2	2	2	2	2	2	2	2	
46	BALL VALVE	PVC	439293-01	1	1	1	1	1	1	1	1	1	

MODEL: <b>KM-1200MWE</b> TITLE: <b>C. WATER CIRCUIT</b>													
INDEX NO.	DESCRIPTION	MATERIAL OR MODEL	PART NUMBER	REQUIRED NUMBER									
				C-0	D-1	D-2	E-0	E-1	F-0 F-1 F-2 G-0	G-1	H-0	H-1	H-2 J-0
47	VALVE HOLDER	GS	325825-01	1	1	1	1	1	1	1	1	1	x1
		GS	3A1178-01										o1
48	MICRO SWITCH	AH-8064	436386-01	1	x1								
		ABV1636614F01	444193-01		o1	x1							
		V3L-III-08	4A0365-01			o1	1	1	1	1	1	1	1
49	TAPPING SCREW	3x14	431415-02	2	2	2	2	2	2	2	2	2	2
50	HANDLE	JH1352	215383-01	1	1	1	1	1	1	1	1	1	
51	RUBBER RING	TSE2571-5U	439236-01	1	1	1	1	1	x1				
		EPDM	439236-01						o1	1	1	1	1
52	HANDLE BRACKET	GS	439929-01	1	-								
53	HOSE CLAMP	SS 20MM	427443-06	1	1	1	1	1	1	-			
54	VINYL HOSE	L=670	7716-2025	1	1	1	1	1	1	1	1	1	1
55	VINYL HOSE	L=200	7716-2025	1	1	x1							
		L=190	7716-2025			o1	1	1	1	1	1	1	1
56	VINYL HOSE	L=80	7716-0913	1	1	1	1	1	1	1	x1		
	SILICONE HOSE	L=80	7730I3812								o1	1	1
57	VINYL HOSE	L=180	7716-0913	2	2	2	2	2	2	2	2	2	2
58	WATER SUPPLY TUBE	PE	2A0079-01			1	1	1	1	1	1	1	1
59	WATER SUPPLY TUBE	PE	2A0079-02			1	1	1	1	1	1	1	1
60	VINYL HOSE	L=58	7716-1216				1	x1					
			7716-1519				o1	1	1	1	1	1	
61	SPRAY TUBE	PE	1A0019-02			1	1	1	1	1	1	x1	
		-	1A0260-02									o1	1
62	VINYL HOSE	L=63	7716-2025			2	2	2	2	2	2	2	2
63	VALVE HOUSING - DRAIN	ABS	435054-01	1	1	1	1	1	1	1	1	1	1
64	PLUG	EPDM	4A0176-01				4	4	4	4	4	4	1

MODEL: KM-1200MRE TITLE: C. WATER CIRCUIT													
INDEX NO.	DESCRIPTION	MATERIAL OR MODEL	PART NUMBER	REQUIRED NUMBER									
				C-0	C-1	D-0	D-1	E-0	E-1	F-1 F-2 G-0	G-1 H-0	H-1	H-2 H-3 J-1
F	PUMP MOTOR ASSEMBLY	(S-0731)	215693A01	1	1	1	1	1	1	1	1	1	1
1	WATER SUPPLY PIPE	COPPER	4A0156G01	1	-								
		COPPER	4A0207G01		1	1	1	1	-				
		COPPER	4A0768G01						1	1	1	1	1
2	RUBBER GASKET	NR	413854-01	2	1	1	1	1	x1				
		NR	413854-03						o1	1	1	1	1
3	WATER VALVE BRACKET	GS	321443-01	1	1	1	1	1	1	1	1	1	1
4	WATER VALVE	J248-030	3U0111-01	1	1	1	1	1	1	1	1	1	1
5	DISTRIBUTOR HOSE	EPDM	325933-01	1	1	1	-						
6	HOSE CLAMP	SS, 18MM	427443-05	1	1	1	3	3	3	3	3	4	4
7	HOSE CLAMP	SS, 13.5MM	427443-07	4	4	4	-						
8	SPRAY TUBE	ABS	433520G01	4	4	4	-						
		PE	1A0019-01				1	1	1	1	1	1	x1
		PE	1A0260-01										o1
9	SPRAY GUIDE (A)	PE	208586-01	12	12	12	12	12	12	12	12	12	12
10	PLATE	SS	3A0133-01	1	1	1	1	1	1	1	1	1	1
11	CUBE GUIDE (A)	SS	214905-01	1	1	1	1	1	1	1	1	1	1
12	CUBE GUIDE (B)	ABS	322644-02	1	1	1	1	1	1	1	1	1	1
13	THUMBSCREW	ABS, SS	415949G01	1	1	1	1	1	1	1	1	1	1
14	FLOAT SWITCH STOP	SS	4A0137-01	1	1	1	1	1	1	1	1	1	1
15	HOSE (A)	EPDM	435091-01	1	1	1	1	1	1	1	1	1	1
16	HOSE CLAMP	SS, 25MM	427443-03	4	4	4	11	11	11	11	11	11	11
17	HOLDER	PP	322692-01	2	1	1	1	1	1	1	1	1	1
18	DISTRIBUTOR	ABS	432426-01	2	2	2	2	2	2	2	2	2	2
19	DISTRIBUTOR HOSE (B)	EPDM	432432-01	2	2	2	-						
20	DRAIN HOSE	EPDM	435092-01	1	1	1	1	1	1	1	1	1	1
21	HOSE CLAMP	SS, 27MM	427443-08	4	4	4	6	2	2	2	2	2	2
22	DRAIN VALVE (B)	ABS	322693-01	1	1	1	1	1	1	1	1	-	
		-	3A1170-01									1	1

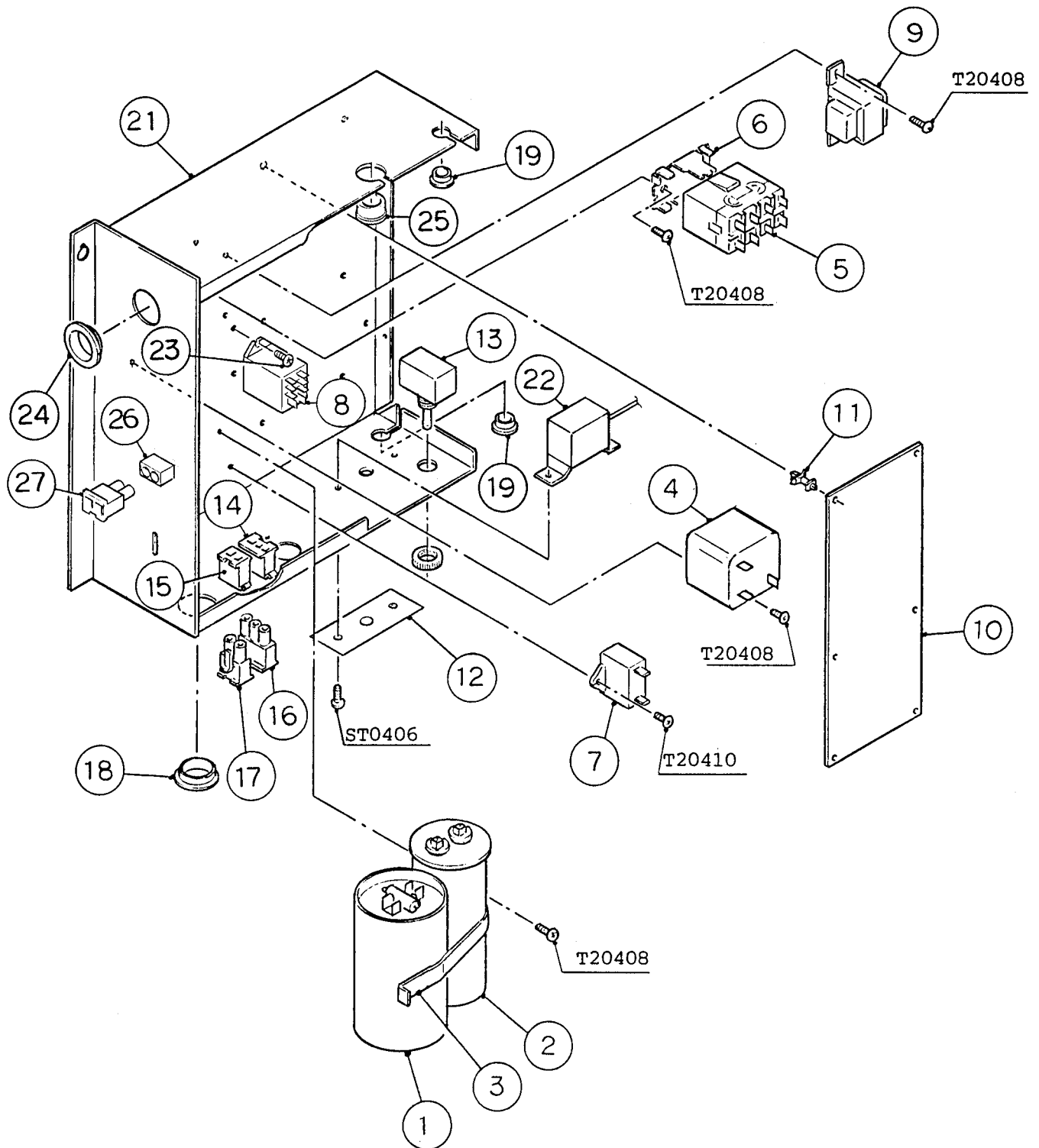
MODEL: KM-1200MRE TITLE: C. WATER CIRCUIT													
INDEX NO.	DESCRIPTION	MATERIAL OR MODEL	PART NUMBER	REQUIRED NUMBER									
				C-0	C-1	D-0	D-1	E-0	E-1	F-1 F-2	G-0 G-1 H-0 H-1	H-2	H-3 J-1
23	"O" RING	1AG35	7611-G035	1	1	1	1	1	1	1	1	1	1
24	SPRING	SS	322685-01	1	1	1	1	1	1	1	1	1	1
25	VALVE SHEET	EPDM	433705-01	1	1	1	1	1	1	1	1	1	1
26	HOSE (C)	EPDM	326655-01	1	1	1	1	1	1	1	1	1	1
27	OVERFLOW CAP	ABS	322816-01	1	1	1	1	1	1	1	1	1	1
28	OVERFLOW PIPE	ABS	322691-01	1	1	1	1	1	1	1	1	1	1
29	"O" RING	1AP32	7611-P032	1	1	1	1	1	1	1	x1		
			4A1234-01								o1	1	1
30	CONNECTOR - FLOAT SWITCH	EPDM	426799-01	1	1	1	1	1	1	1	1	1	x1
		-	3A1325-01										o1
31	FLOAT SWITCH	FS-0893A-2	430417-02	1	1	1	1	1	1	x1			
		163790	4A0886-02							o1	1	1	1
32	CONNECTOR	ABS	432763-01	1	1	1	1	1	1	1	1	1	1
33	FITTING - INLET	BRASS	436552-01	1	-								
34	COLLAR	ABS	435269-01	2	2	2	2	2	2	2	2	2	2
35	SPRING	SS	435825-01	1	1	1	1	1	1	1	1	1	1
36	TIE	CV-200	7920-0010	3	3	3	-						
37	FITTING HOLDER - INLET	GS	436550-01	1	-								
38	TEE	EPDM	439197-01	1	1	1	-						
		EPDM	4A0177-01				1	1	1	1	1	1	1
39	FLANGE	EPDM	439267-01	1	1	1	1	1	1	1	1	1	1
40	JOINT PIPE	ABS	439329-01	1	1	1	-						
41	BYPASS HOSE	EPDM	439265-01	1	1	1	1	1	1	1	1	1	1
42	CORNER INSULATION (A)	PE FOAM	439376-01	1	1	1	1	1	1	1	1	1	1
43	CORNER INSULATION (B)	PE FOAM	439392-01	1	1	1	1	1	1	1	1	1	1
44	MALE ADAPTOR	ABS	325826-01	2	2	2	2	2	2	2	2	2	2
45	"O" RING	1AP18	7611-P018	2	2	2	2	2	2	2	2	2	2

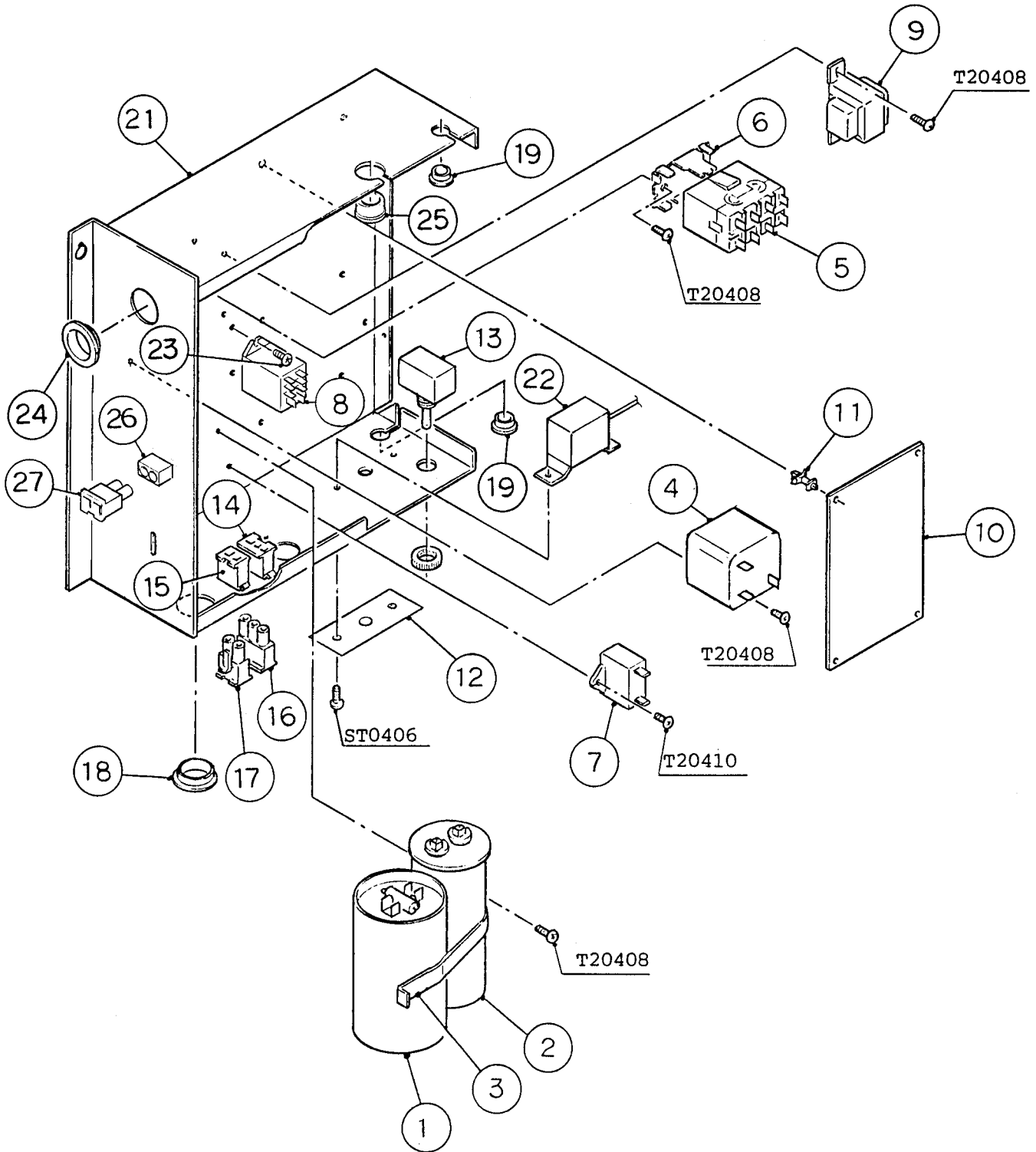
MODEL: <b>KM-1200MRE</b> TITLE: <b>C. WATER CIRCUIT</b>													
INDEX NO.	DESCRIPTION	MATERIAL OR MODEL	PART NUMBER	REQUIRED NUMBER									
				C-0	C-1	D-0	D-1	E-0	E-1	F-1 G-0 G-1	H-0	H-1	H-2 H-3 J-1
46	BALL VALVE	PVC	439293-01	1	1	1	1	1	1	1	1	1	1
47	VALVE HOLDER	GS	325825-01	1	1	1	1	1	1	1	1	1	x1
		GS	3A1178-01										o1
48	MICRO SWITCH	AH-8064	436386-01	1	x1								
		ABV1636614F01	444193-01		o1	x1							
		V3L-III-08	4A0365-01			o1	1	1	1	1	1	1	1
49	TAPPING SCREW	3x14	431415-02	2	2	2	2	2	2	2	2	2	2
50	HANDLE	JH1352	215383-01	1	1	1	1	1	1	1	1	1	1
51	RUBBER RING	TSE2571-5U	439236-01	1	1	1	1	1	1	x1			
		EPDM	439236-01							o1	1	1	1
52	HANDLE BRACKET	GS	439929-01	1	-								
53	HOSE CLAMP	SS 20MM	427443-06	1	1	1	1	1	1	1	-		
54	VINYL HOSE	L=670	7716-2025	1	1	1	1	1	1	1	1	1	1
55	VINYL HOSE	L=200	7716-2025	1	1	1	x1						
		L=190	7716-2025				o1	1	1	1	1	1	1
56	VINYL HOSE	L=80	7716-0913	1	1	1	1	1	1	1	x1		
	SILICONE HOSE	L=80	7730I3812								o1	1	1
57	VINYL HOSE	L=180	7716-0913	2	2	2	2	2	2	2	2	2	2
58	WATER SUPPLY TUBE	PE	2A0079-01				1	1	1	1	1	1	1
59	WATER SUPPLY TUBE	PE	2A0079-02				1	1	1	1	1	1	1
60	VINYL HOSE	L=58	7716-1216				1	1	x1				
			7716-1519						o1	1	1	1	1
61	SPRAY TUBE	PE	1A0019-02				1	1	1	1	1	x1	
		-	1A0260-02									o1	1
62	VINYL HOSE	L=63	7716-2025				2	2	2	2	2	2	2
63	VALVE HOUSING - DRAIN	ABS	435054-01	1	1	1	1	1	1	1	1	1	1
64	PLUG	EPDM	4A0176-01				4	4	4	4	4	4	4



HA

KM-1200MAE D. CONTROL BOX ASSEMBLY D-1, E-0, E-1, F-1, F-2, G-0, G-1, H-0, H-2

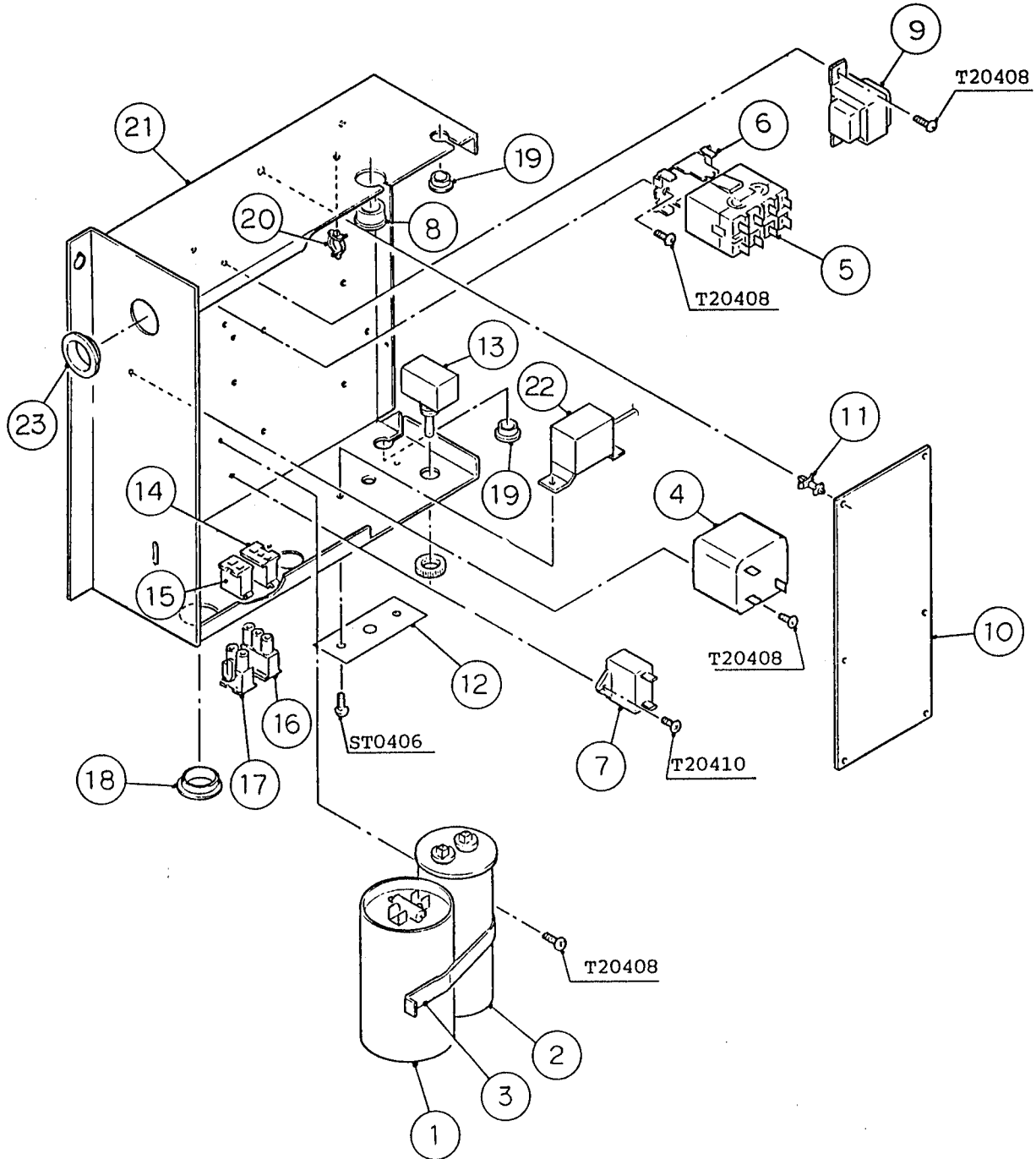






MODEL: KM-1200MAE TITLE: D. CONTROL BOX ASSEMBLY													
INDEX NO.	DESCRIPTION	MATERIAL OR MODEL	PART NUMBER	REQUIRED NUMBER									
				C-0	C-1	D-0	D-1	E-0	E-1	F-1 F-2 G-0 G-1	H-0 H-2	H-3	J-0
1	CAPACITOR - STARTING	3535B8A0145 A250A5	3A0076-01	1	1	1	1	1	1	1	1	1	1
2	CAPACITOR	RS37B0035U NHG03	439943-01	1	1	1	1	1	1	1	1	1	1
3	STRAP	GS	434580-04	1	1	1	1	1	1	1	1	1	1
4	STARTER	040-0001-20	434923-01	1	1	1	1	1	1	1	1	1	1
5	MAGNETIC CONTACTOR	VC20	428393-01	1	1	1	1	1	1	1	1	1	1
6	BRACKET	BW9154	428393F01	1	1	1	1	1	1	1	1	1	1
7	CAPACITOR	5MFD, 250V	443192-02	1	1	1	1	1	1	1	1	1	1
8	RELAY	LY2F, AC120V	406132-07	1	1	1	1	1	1	1	1	1	1
9	TRANSFORMER	BW48-005	3U0135-01	1	x1								
		26D285H	3A0172-01		o1	1	1	1	1	1	1	1	1
10	CONTROLLER BOARD	MY9KM910	2U0127-01	1	1	1	1	1	1	1	1	-	
		-	2A0836-01									1	x1
		HOSHIZAKI-001A	2A1410-01										o1
11	BOARD SUPPORT	KGLS-6S	414929-01	6	x6								
		CBLS37-M	4A0336-03		o6	6	6	6	6	6	6	6	4
12	CONTROL LABEL	PES FILM	434934-01	1	1	1	1	1	1	1	1	-	
		PES FILM	4A1758-01										1
13	TOGGLE SWITCH	8966K84	443119-01	1	1	1	1	1	1	1	1	1	1
14	3P PLUG HOUSING	3191-03P	412832-06	1	1	1	1	1	1	1	1	1	1
15	2P PLUG HOUSING	3191-02P	412832-07	1	1	1	1	1	1	1	1	1	1
16	3P RECEPTACLE HOUSING	3191-03R1	412831-06	1	1	1	1	1	1	1	1	1	1
17	2P RECEPTACLE HOUSING	3191-02R1	412831-07	1	1	1	1	1	1	1	1	1	1
18	BUSHING	SB-1093-15	420470-03	1	1	1	1	1	1	1	1	1	1
19	BUSHING	OCB-500	428394-02	2	2	2	2	2	2	2	2	2	2
20	CLAMP	NO. 248	427902-04	1	1	1	-						
21	CONTROL BOX	GS	2A0121G02	1	1	1	1	1	1	1	1	1	1

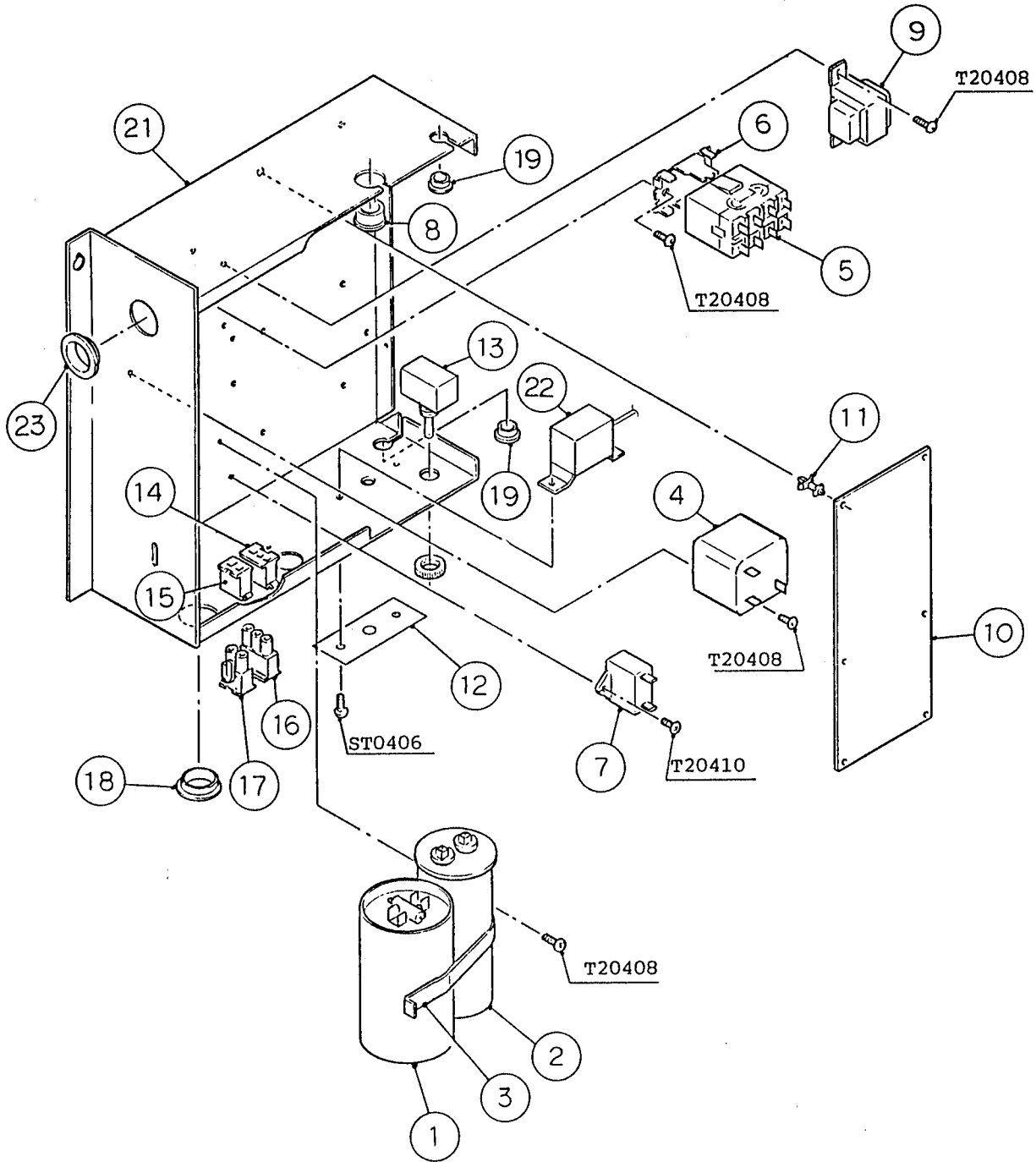
MODEL: KM-1200MAE TITLE: D. CONTROL BOX ASSEMBLY													
INDEX NO.	DESCRIPTION	MATERIAL OR MODEL	PART NUMBER	REQUIRED NUMBER									
				C-0	C-1	D-0	D-1	E-0	E-1	F-1 F-2 G-0 G-1	H-0 H-2	H-3	J-0
22	THERMOSTAT	A30-3815-00	439678-01	1	1	1	1	1	x1				
			4A0738-01						o1	x1			
			4A0824-01							o1	1	1	1
23	TAPPING SCREW	3 x 8	431415-01	2	2	2	2	2	2	2	2	2	2
24	BUSHING	SB-1093-13	420470-12	1	1	1	1	1	1	1	1	1	1
25	BUSHING	OCB-750	428394-01	1	1	1	1	1	1	1	1	1	1
26	2P PLUG HOUSING	3190-02P (RED)	412832-09	1	1	1	1	1	1	1	1	1	1
27	2P RECEPTACLE HOUSING	3191-02RI (RED)	412831-09	1	1	1	1	1	1	1	1	1	1

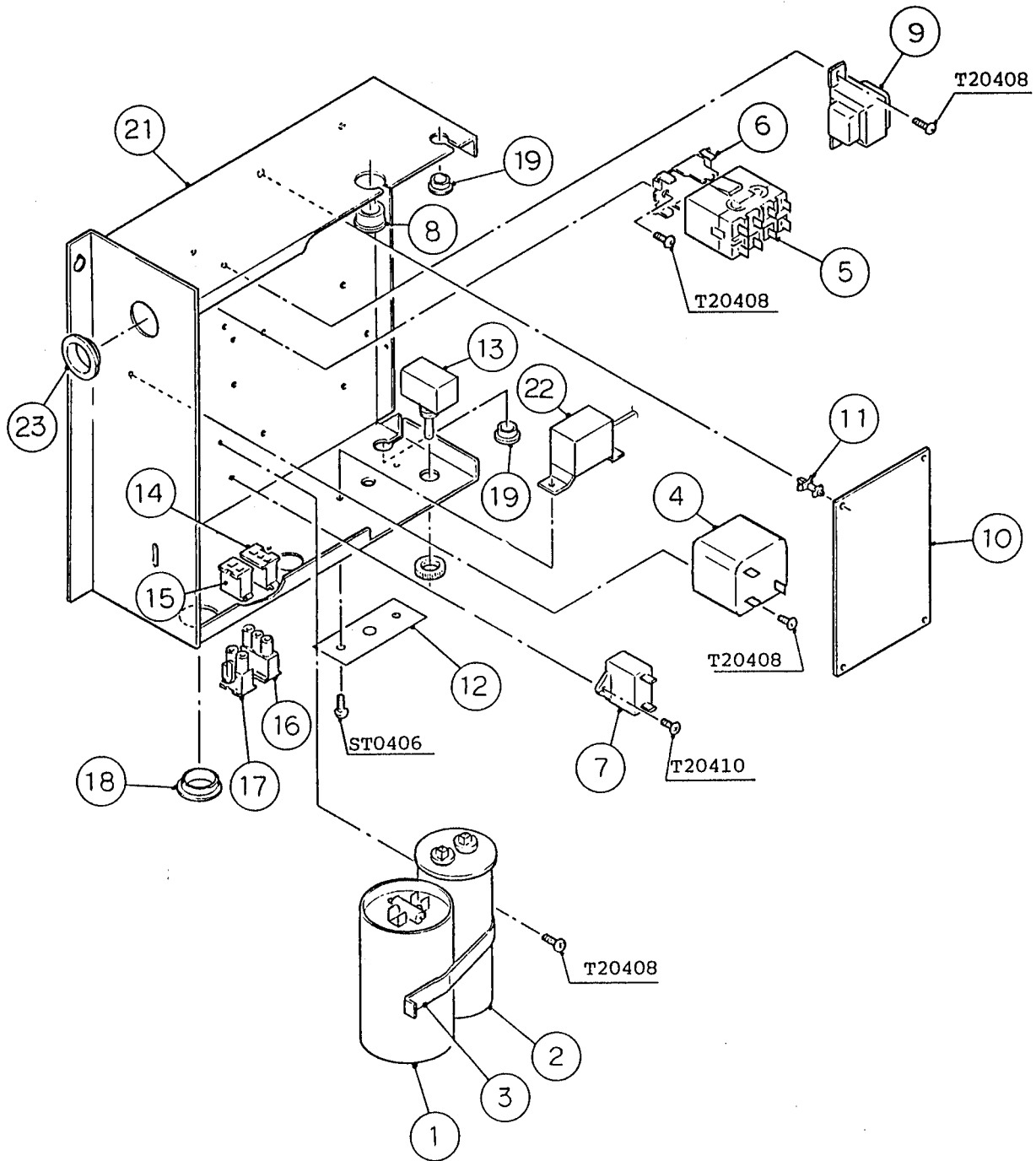


HA

KM-1200MWE D. CONTROL BOX ASSEMBLY

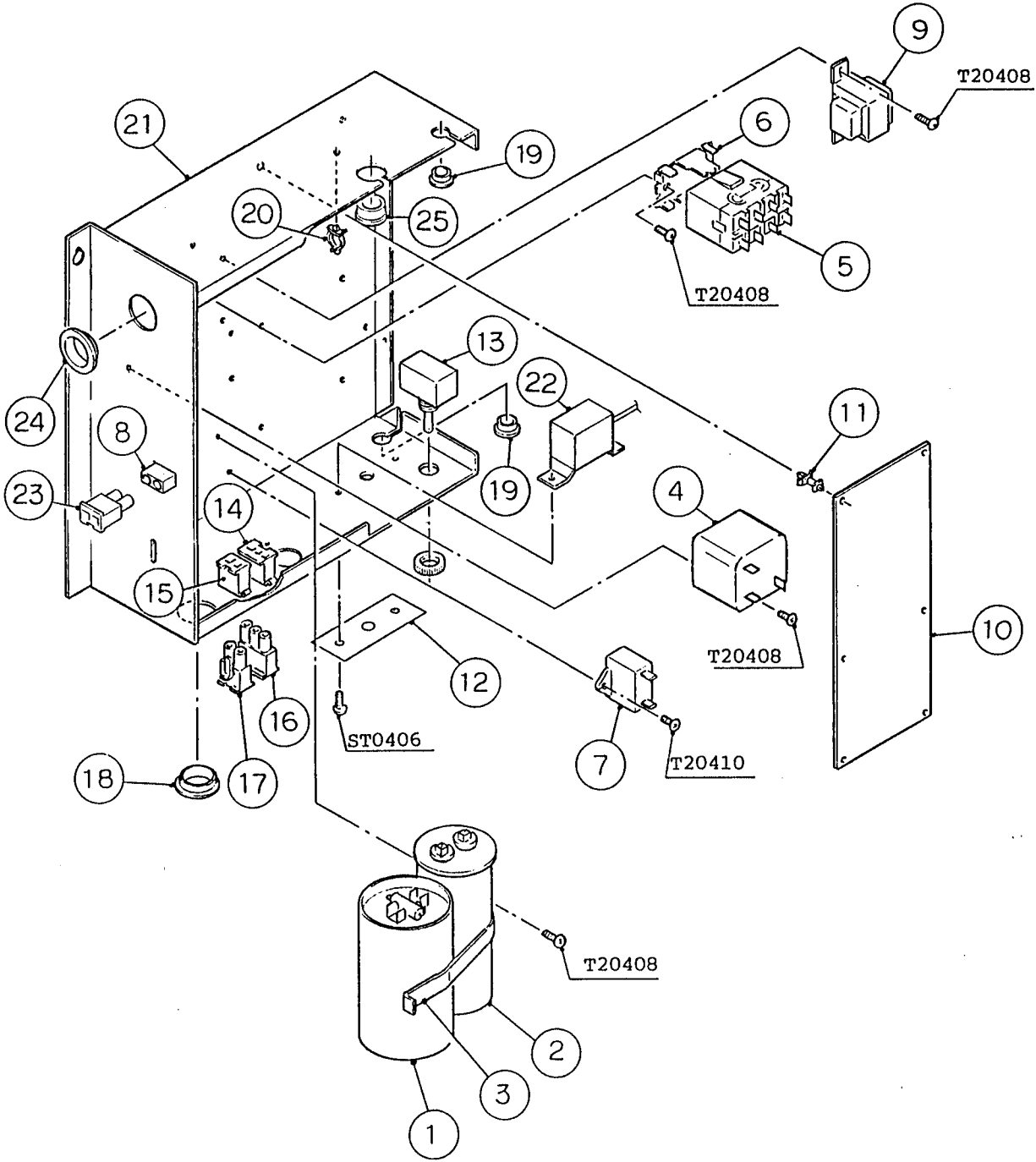
D-1, D-2, E-0, E-1, F-0, F-1,  
F-2, G-0, G-1, H-0, H-1, H-2





MODEL: KM-1200MWE TITLE: D. CONTROL BOX ASSEMBLY													
INDEX NO.	DESCRIPTION	MATERIAL OR MODEL	PART NUMBER	REQUIRED NUMBER									
				C-0	D-1	D-2	E-0	E-1	F-0 F-1	F-2 G-0	G-1 H-0	H-1 H-2	J-0
1	CAPACITOR - STARTING	3535B8A0145 A250A5	3A0076-01	1	1	1	1	1	1	1	1	1	1
2	CAPACITOR	RS37B0035U NHG03	439943-01	1	1	1	1	1	1	1	1	1	1
3	STRAP	GS	434580-04	1	1	1	1	1	1	1	1	1	1
4	STARTER	040-0001-20	434923-01	1	1	1	1	1	1	1	1	1	1
5	MAGNETIC CONTACTOR	VC20	428393-01	1	1	1	1	1	1	1	1	1	1
6	BRACKET	BW9154	428393F01	1	1	1	1	1	1	1	1	1	1
7	CAPACITOR	5MFD, 250V	443192-02	1	1	1	1	1	1	1	1	1	1
8	BUSHING	OCB-750	428394-01	1	1	1	1	1	1	1	1	1	1
9	TRANSFORMER	BW48-005	3U0135-01	1	x1								
		26D285H	3A0172-01		o1	1	1	1	1	1	1	1	1
10	CONTROLLER BOARD	MY9KM910	2U0127-01	1	1	1	1	1	1	1	1	1	-
		-	2A0836-01										x1
		HOSHIZAKI-001A	2A1410-01										
11	BOARD SUPPORT	KGLS-6S	414929-01	6	x6								
		CBLS37-M	4A0336-03		o6	6	6	6	6	6	6	6	6
12	CONTROL LABEL	PES FILM	434934-01	1	1	1	1	1	1	1	1	1	-
		PES FILM	4A1758-01										
13	TOGGLE SWITCH	8966K84	443119-01	1	1	1	1	1	1	1	1	1	1
14	3P PLUG HOUSING	3191-03P	412832-06	1	1	1	1	1	1	1	1	1	1
15	2P PLUG HOUSING	3191-02P	412832-07	1	1	1	1	1	1	1	1	1	1
16	3P RECEPTACLE HOUSING	3191-03R1	412831-06	1	1	1	1	1	1	1	1	1	1
17	2P RECEPTACLE HOUSING	3191-02R1	412831-07	1	1	1	1	1	1	1	1	1	1
18	BUSHING	SB-1093-15	420470-03	1	1	1	1	1	1	1	1	1	1
19	BUSHING	OCB-500	428394-02	2	2	2	2	2	2	2	2	2	2
20	CLAMP	NO. 248	427902-04	1	-								
21	CONTROL BOX	GS	2A0121G01	1	1	1	1	1	1	1	1	1	1





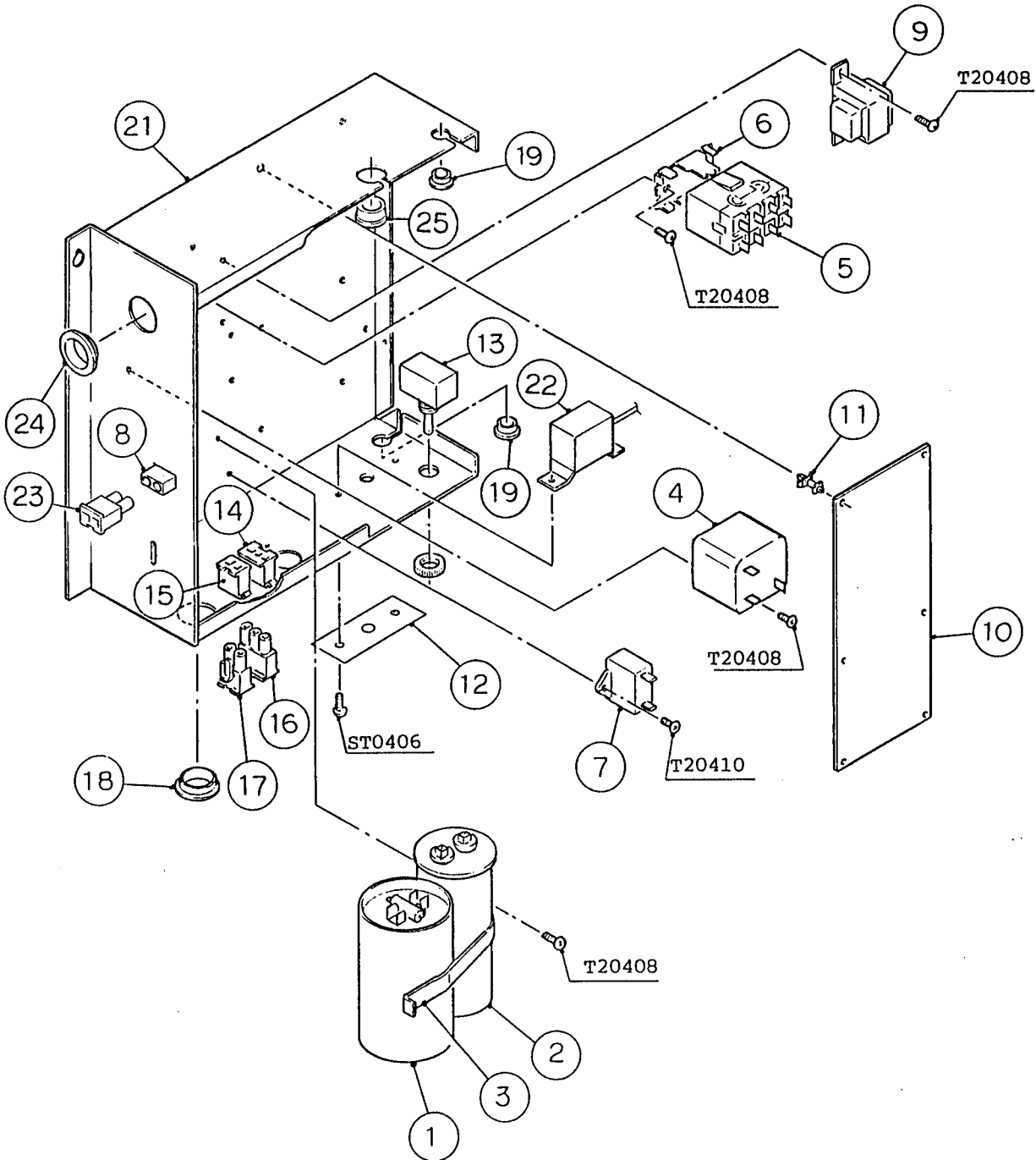


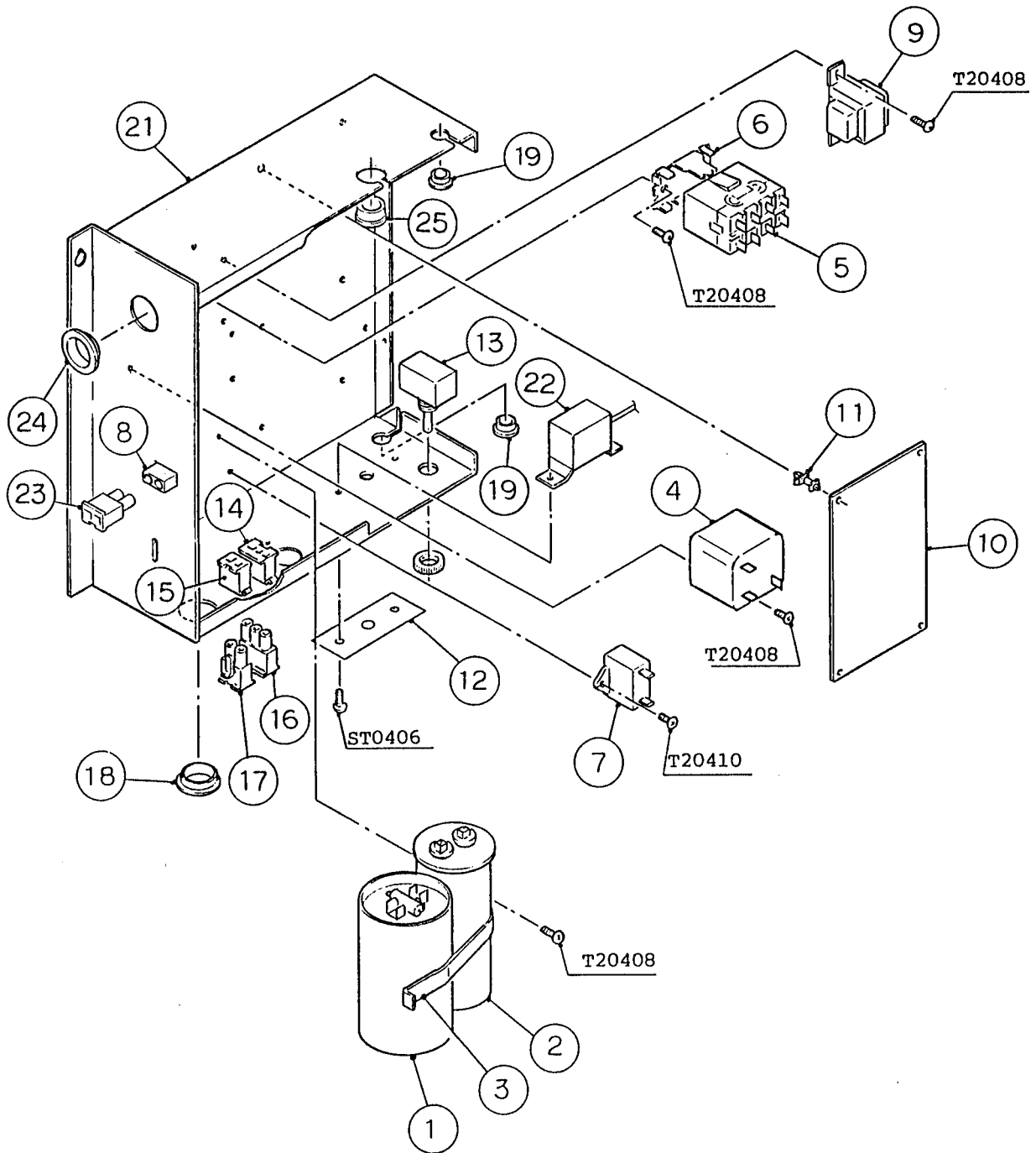
HA

KM-1200MRE

D. CONTROL BOX ASSEMBLY

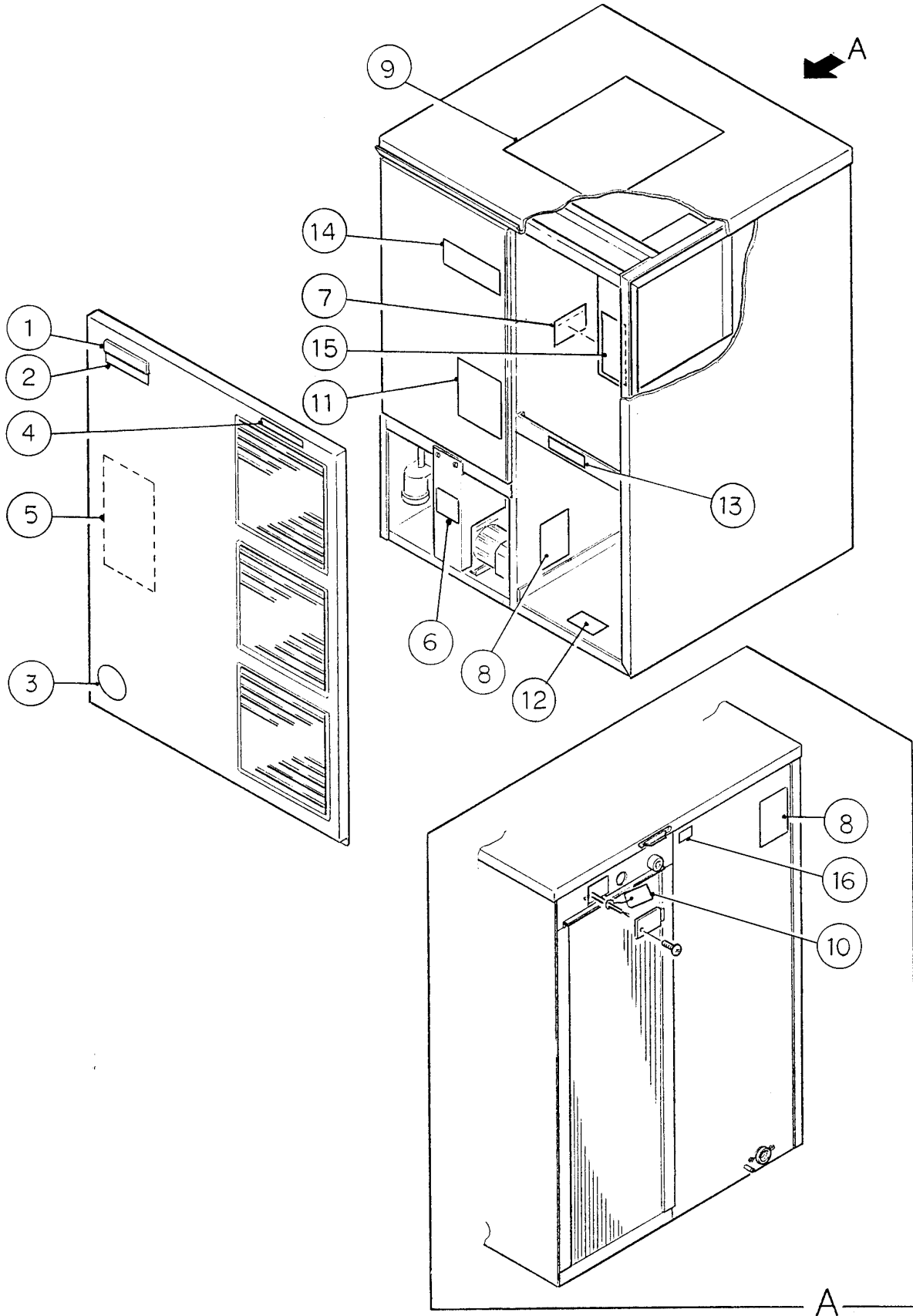
C-1, D-0, D-1, E-0, E-1, F-1  
F-2, G-0, G-1, H-0, H-1, H-2





MODEL: KM-1200MRE TITLE: D. CONTROL BOX ASSEMBLY													
INDEX NO.	DESCRIPTION	MATERIAL OR MODEL	PART NUMBER	REQUIRED NUMBER									
				C-0	C-1	D-0	D-1	E-0 E-1	F-1 F-2	G-0 G-1	H-0 H-1 H-2	H-3	J-1
1	CAPACITOR - STARTING	3535B8A0145 A250A5	3A0076-01	1	1	1	1	1	1	1	1	1	1
2	CAPACITOR	RS37B0035U NHG03	439943-01	1	1	1	1	1	1	1	1	1	1
3	STRAP	GS	434580-04	1	1	1	1	1	1	1	1	1	1
4	STARTER	040-0001-20	434923-01	1	1	1	1	1	1	1	1	1	1
5	MAGNETIC CONTACTOR	VC20	428393-01	1	1	1	1	1	1	1	1	1	1
6	BRACKET	BW9154	428393F01	1	1	1	1	1	1	1	1	1	1
7	CAPACITOR	5MFD, 250V	443192-02	1	1	1	1	1	1	1	1	1	1
8	2P PLUG HOUSING	3190-02P (RED)	412832-09	1	1	1	1	1	1	1	1	1	1
9	TRANSFORMER	BW48-005	3U0135-01	1	x1								
		26D285H	3A0172-01		o1	1	1	1	1	1	1	1	1
10	CONTROLLER BOARD	MY9KM910	2U0127-01	1	1	1	1	1	1	1	1	-	
		-	2A0836-01									1	x1
		HOSHIZAKI-001A	2A1410-01										
11	BOARD SUPPORT	KGLS-6S	414929-01	x6									
		CBLS37-M	4A0336-03	o6	6	6	6	6	6	6	6	6	4
12	CONTROL LABEL	PES FILM	434934-01	1	1	1	1	1	1	1	1	-	
		PES FILM	4A1758-01										1
13	TOGGLE SWITCH	8966K84	443119-01	1	1	1	1	1	1	1	1	1	1
14	3P PLUG HOUSING	3191-03P	412832-06	1	1	1	1	1	1	1	1	1	1
15	2P PLUG HOUSING	3191-02P	412832-07	1	1	1	1	1	1	1	1	1	1
16	3P RECEPTACLE HOUSING	3191-03R1	412831-06	1	1	1	1	1	1	1	1	1	1
17	2P RECEPTACLE HOUSING	3191-02R1	412831-07	1	1	1	1	1	1	1	1	1	1
18	BUSHING	SB-1093-15	420470-03	1	1	1	1	1	1	1	1	1	1
19	BUSHING	OCB-500	428394-02	2	2	2	2	2	2	2	2	2	2

MODEL: <b>KM-1200MRE</b> TITLE: <b>D. CONTROL BOX ASSEMBLY</b>													
INDEX NO.	DESCRIPTION	MATERIAL OR MODEL	PART NUMBER	REQUIRED NUMBER									
				C-0	C-1	D-0	D-1	E-0 E-1	F-1 F-2	G-0 G-1	H-0 H-1 H-2	H-3	J-1
20	CLAMP	NO. 248	427902-04	1	-								
21	CONTROL BOX	GS	2A0121G02	1	1	1	1	1	1	1	1	1	1
22	THERMOSTAT	A30-3815-00	439678-01	1	1	1	1	x1					
			4A0738-01					o1	x1				
			4A0824-01						o1	1	1	1	1
23	2P RECEPTACLE HOUSING	3191-02RI (RED)	412831-09	1	1	1	1	1	1	1	1	1	1
24	BUSHING	SB-1093-13	420470-12	1	1	1	1	1	1	1	1	1	1
25	BUSHING	OCB-750	428394-01	1	1	1	1	1	1	1	1	1	1

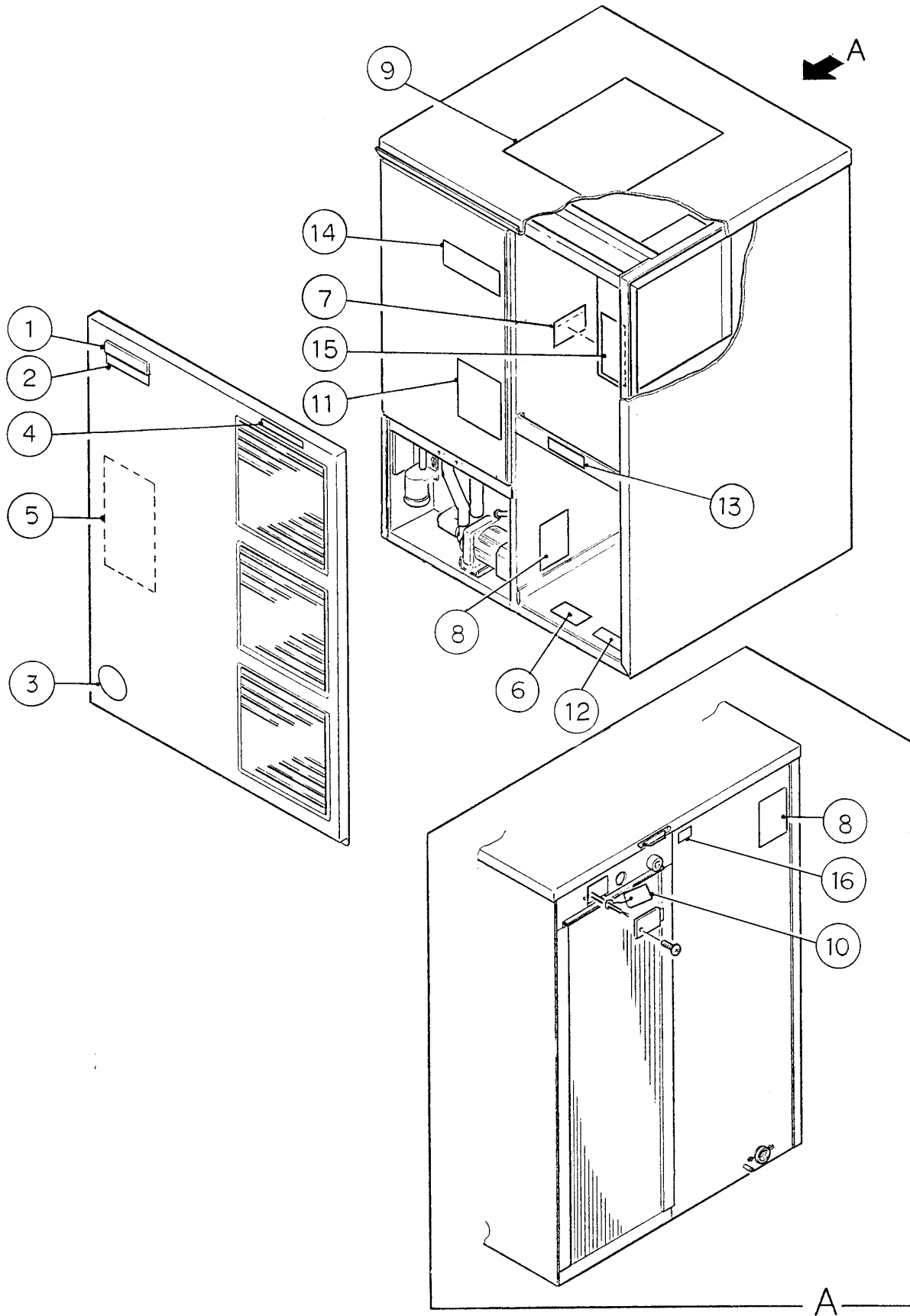


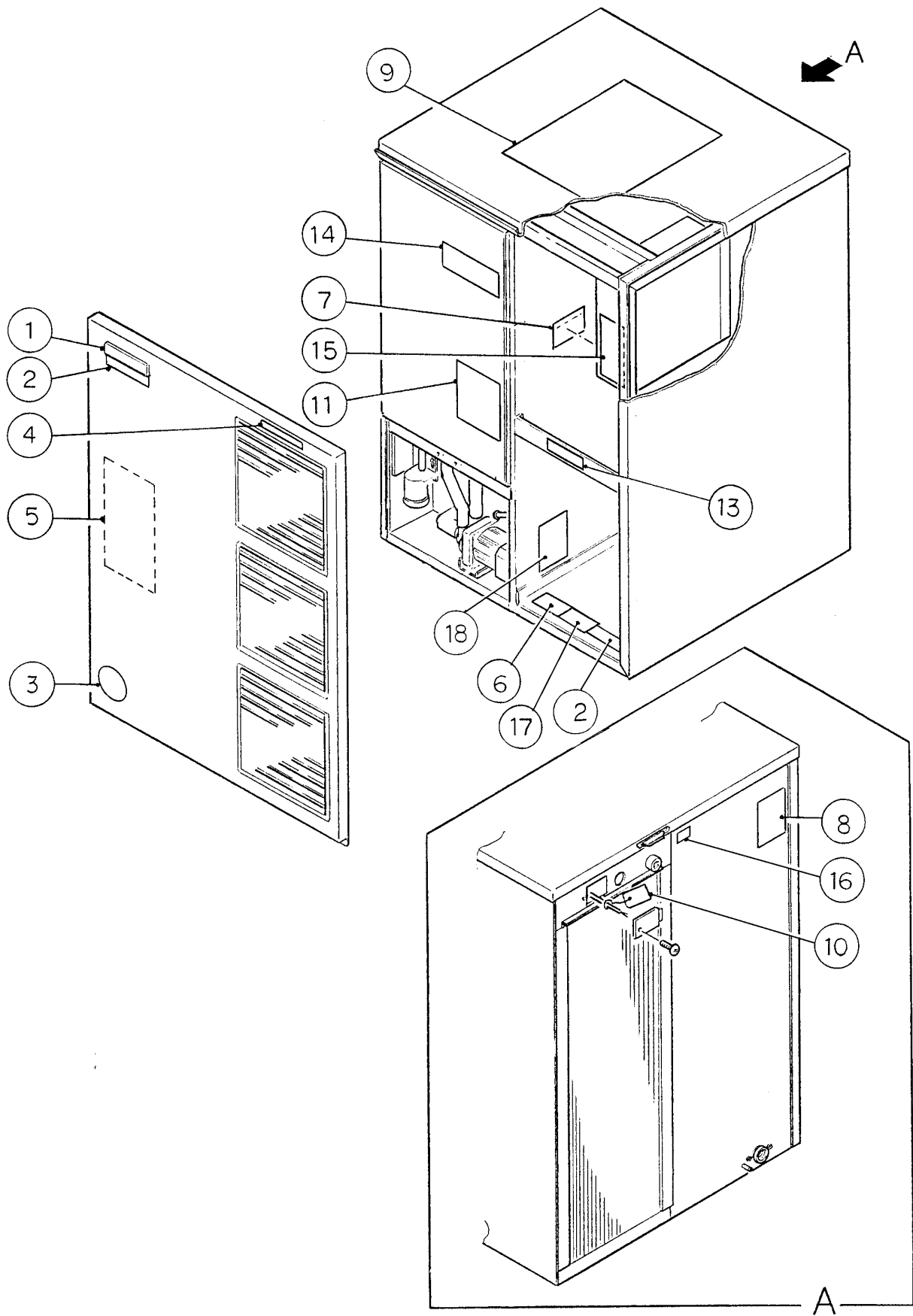
HA

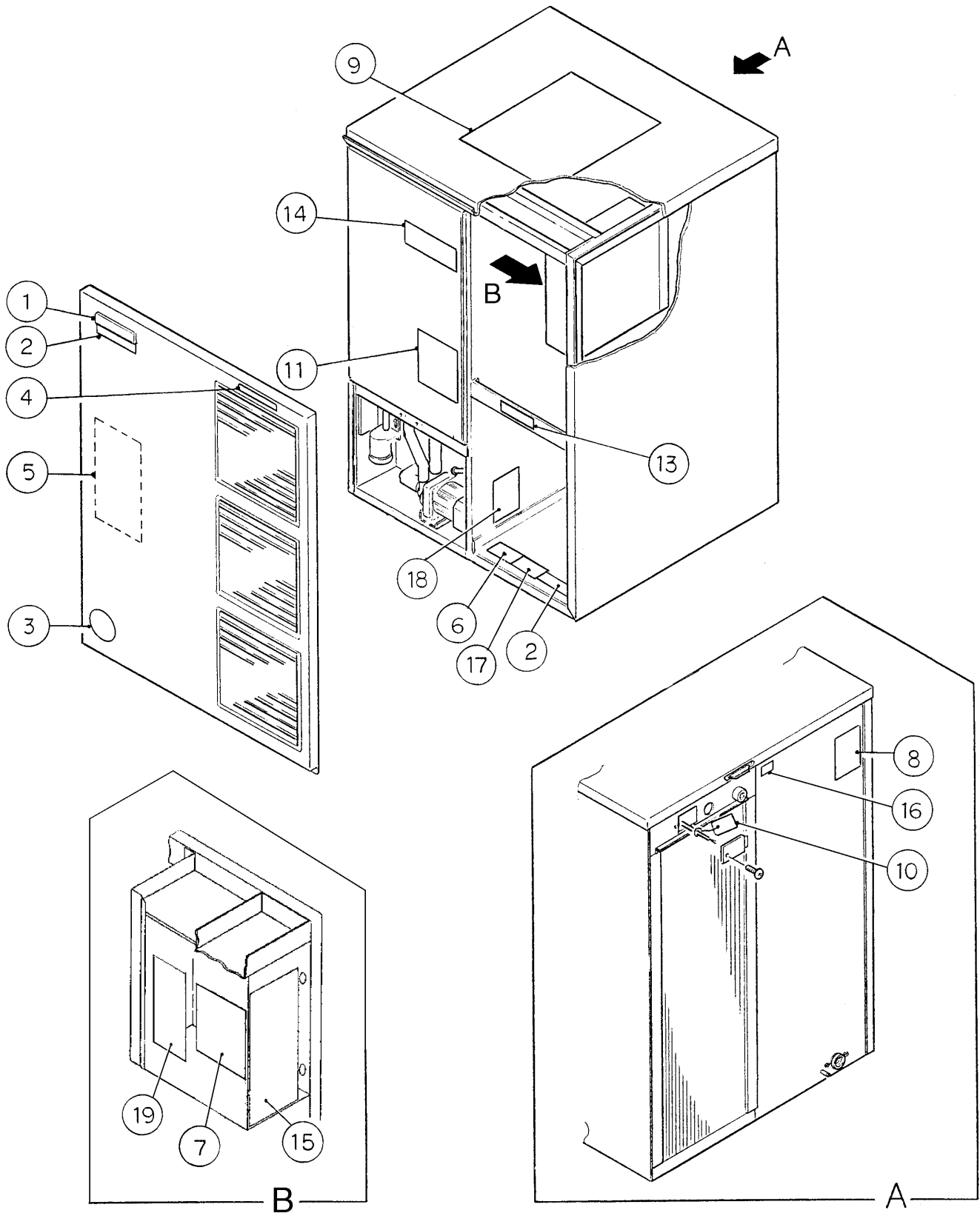
KM-1200MAE

E. LABEL LOCATION

C-1, D-0, D-1, E-0, E-1, F-1  
F-2, G-0, G-1, H-0

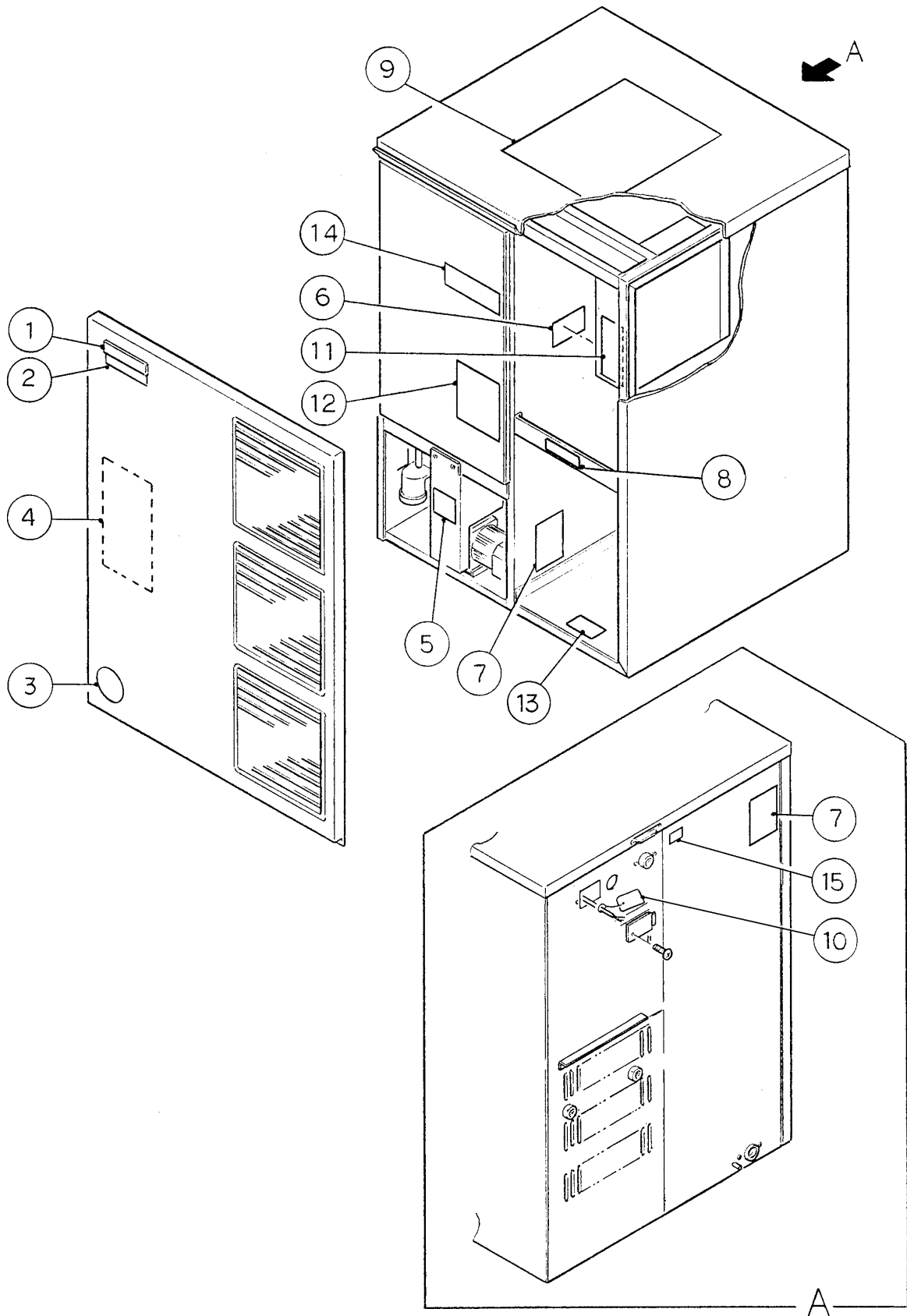








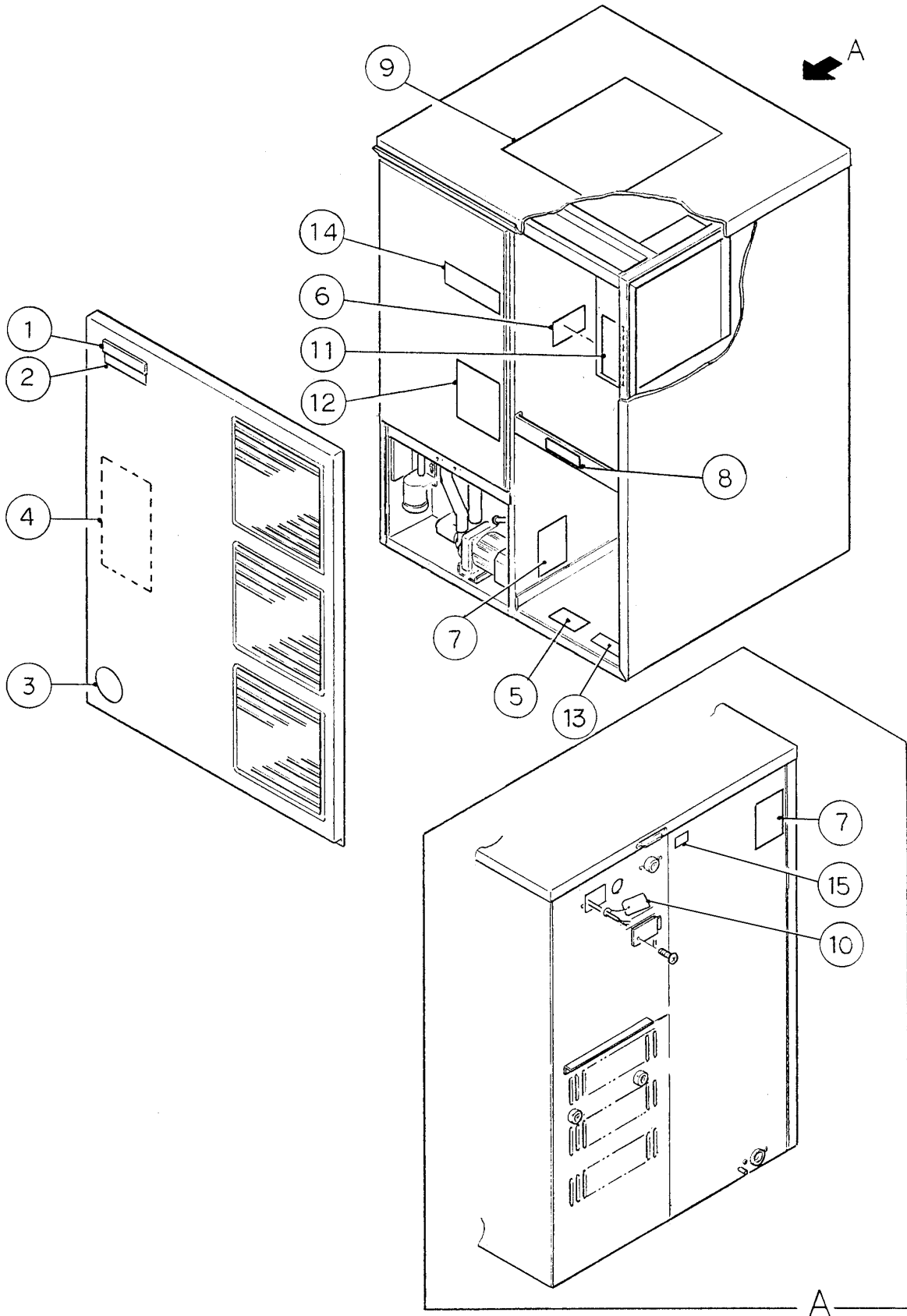
MODEL: <b>KM-1200MAE</b> TITLE: <b>E. LABEL LOCATION</b>													
INDEX NO.	DESCRIPTION	MATERIAL OR MODEL	PART NUMBER	REQUIRED NUMBER									
				C-0	C-1	D-0	D-1	E-0 E-1	F-1	F-2 G-0 G-1 H-0	H-2	H-3	J-0
1	EMBLEM (L) - HOSHIZAKI	ABS	418634G01	1	1	1	1	1	x1				
	EMBLEM	-	4A0560-01						o1	1	1	1	1
2	MODEL NUMBER LABEL	PETP FILM	443341-10	1	1	1	1	1	1	1	1	1	1
3	LABEL - PENGUIN (R)	PETP FILM	410994-01	1	1	1	1	1	1	x1			
		-	4A0526-01							o1	1	1	1
4	LABEL - AIR FILTER	PETP FILM	426177-01	1	1	1	1	1	1	1	1	1	1
5	MAINTENANCE LABEL	PVC FILM	325975-01	1	1	1	1	1	1	1	1	1	1
6	WARNING LABEL	PVC FILM	431092-01	1	1	1	1	1	1	1	x1		
	CAUTION LABEL (K)	-	439150-01								o1	1	1
7	WIRING LABEL	PVC FILM	330904-01	1	1	1	1	1	1	1	1	1	1
8	NAMEPLATE	PES FILM	444885-01	2	2	2	-						
		PES FILM	4A0695-01				2	2	2	2	2	2	2
9	INSTRUCTION SHEET	PAPER	219122-01	1	1	1	1	1	1	1	1	1	1
10	TAG - WARNING: ELECTRICAL CONNECTION	PAPER	428430-01	1	1	1	1	1	1	1	1	1	1
11	MANUAL LABEL - BIN CONTROL	PVC FILM	322846-01	1	1	1	1	1	1	1	1	1	1
12	LABEL - R22	PES FILM	440362-01	1	1	1	1	1	1	1	1	1	1
13	CAUTION LABEL	PVC FILM	436198-01	1	1	1	1	1	1	1	1	1	1
14	OPERATION LABEL - VALVE	PVC FILM	439541-01	1	1	1	1	1	1	1	1	1	1
15	MANUAL LABEL	PVC FILM	324476-01	1	1	1	1	1	1	1	1	1	1
16	INSTRUCTION LABEL	PVC FILM	444575-01		1	1	1	1	1	1	1	1	1
17	CAUTION LABEL (F)	-	439146-01								1	1	1
18	RATING LABEL	-	4A1615-01								1	1	1
19	LABEL – CONTROL BOARD	-	3A0998-01									1	-
		-	3A1272-01										1

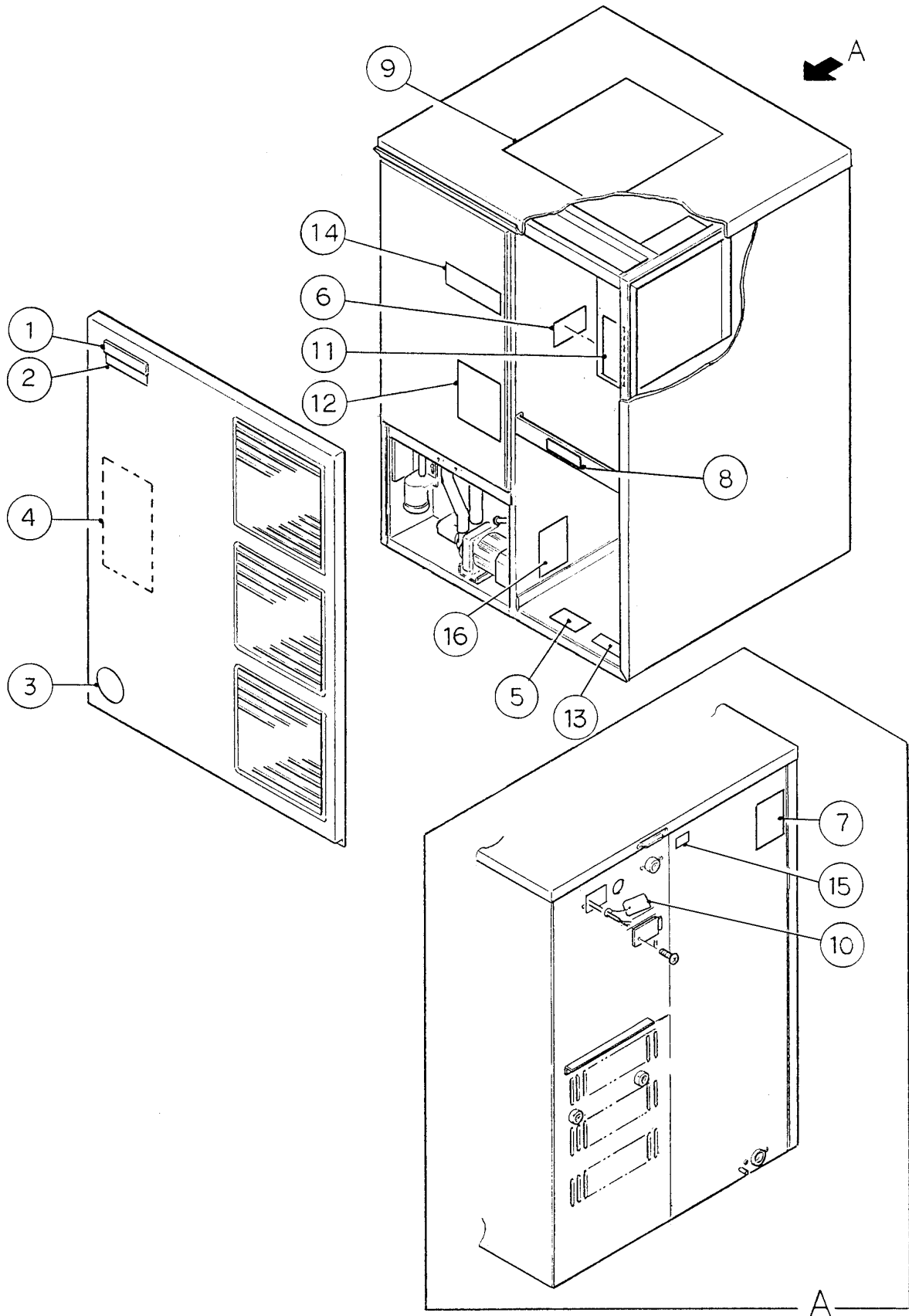


HA  
KM-1200MWE

E. LABEL LOCATION

D-1, D-2, E-0, E-1, F-0  
F-1, F-2, G-0, G-1, H-0



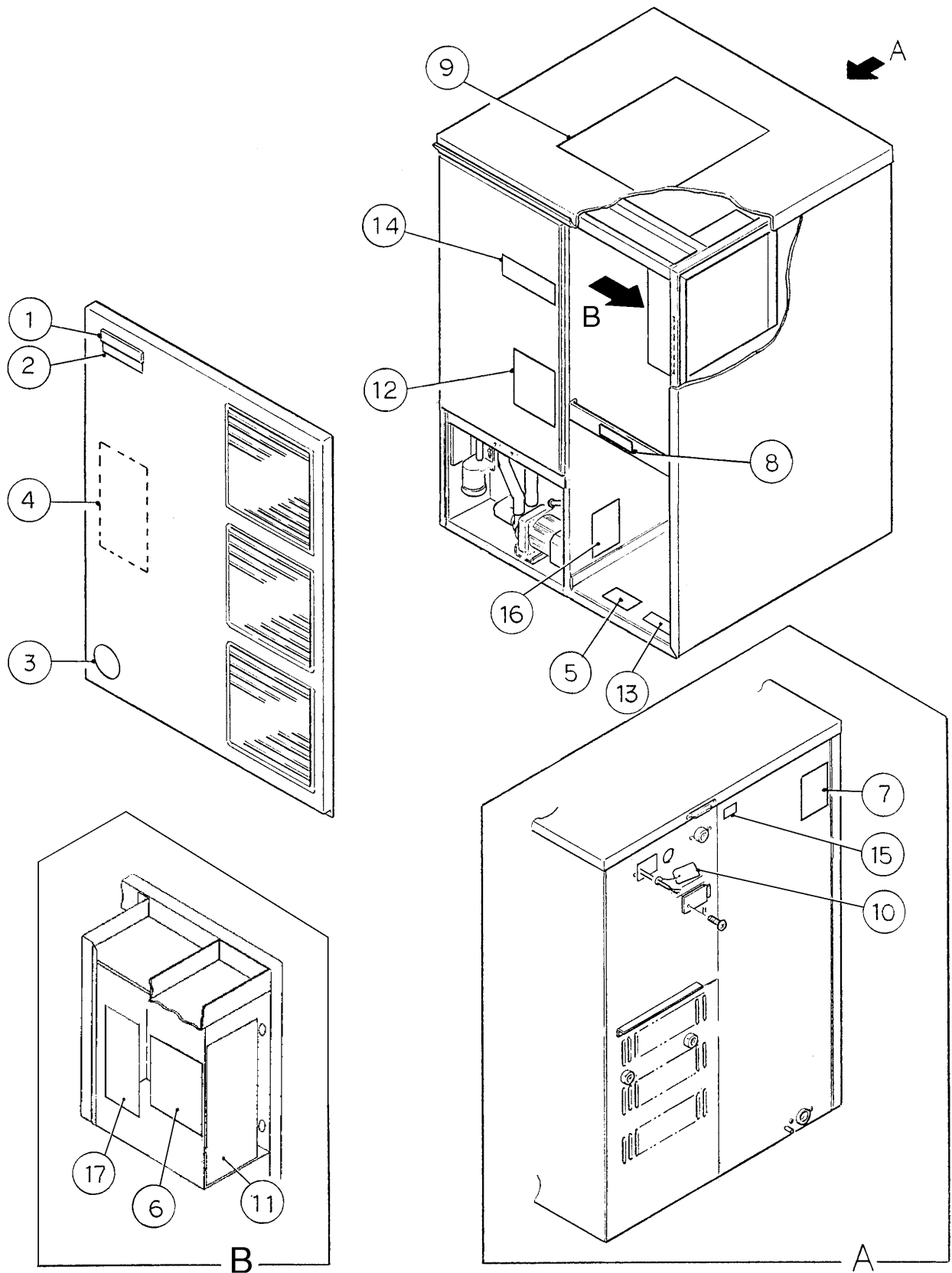


HA

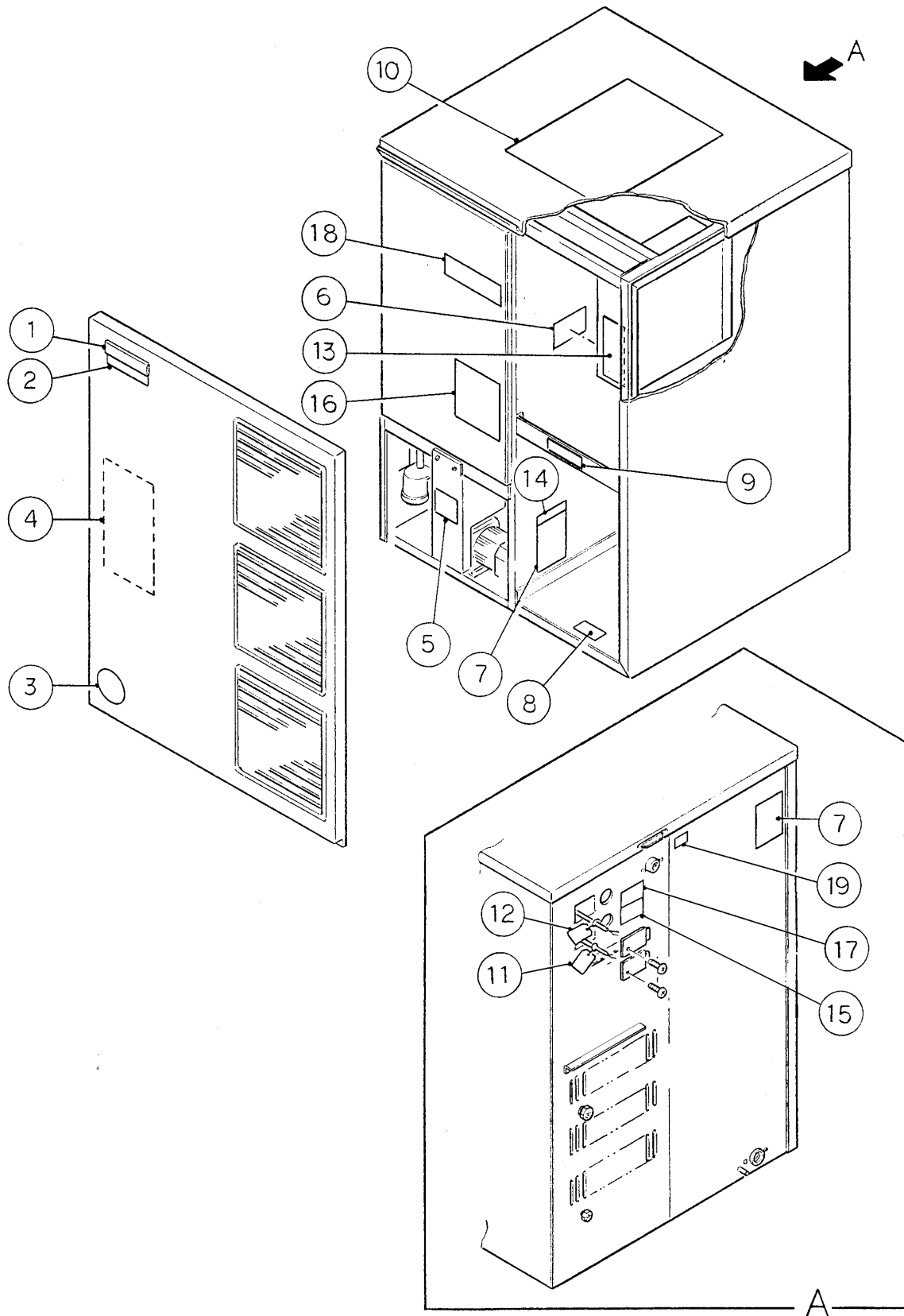
KM-1200MWE

E. LABEL LOCATION

H-2, J-0



MODEL: KM-1200MWE TITLE: E. LABEL LOCATION													
INDEX NO.	DESCRIPTION	MATERIAL OR MODEL	PART NUMBER	REQUIRED NUMBER									
				C-0	D-1	D-2	E-0 E-1	F-0	F-1	F-2 G-0 G-1 H-0	H-1	H-2	J-0
1	EMBLEM (L) - HOSHIZAKI	ABS	418634G01	1	1	1	1	x1					
	EMBLEM	ABS	4A0560-01					o1	1	1	1	1	1
2	MODEL NUMBER LABEL	PETP FILM	443341-11	1	1	1	1	1	1	1	1	1	1
3	LABEL - PENGUIN (R)	PETP FILM	410994-01	1	1	1	1	1	1	x1			
	-		4A0526-01							o1	1	1	1
4	MAINTENANCE LABEL	PVC FILM	325975-01	1	1	1	1	1	1	1	1	1	1
5	WARNING LABEL - DANGER	PVC FILM	425322-01	1	1	1	1	1	1	1	x1		
	CAUTION LABEL (K)	-	439150-01								o1	1	1
6	WIRING LABEL	PVC FILM	331113-01	1	1	1	1	1	1	1	1	1	1
7	NAMEPLATE	PES FILM	444886-01	2	2	-							
		PES FILM	4A0696-01			2	2	2	2	2	1	1	1
8	CAUTION LABEL	PVC FILM	436198-01	1	1	1	1	1	1	1	1	1	1
9	INSTRUCTION SHEET	PAPER	219122-01	1	1	1	1	1	1	1	1	1	1
10	TAG - WARNING: ELECTRICAL CONNECTION	PAPER	428430-01	1	1	1	1	1	1	1	1	1	1
11	MANUAL LABEL	PVC FILM	324476-01	1	1	1	1	1	1	1	1	1	1
12	MANUAL LABEL - BIN CONTROL	PVC FILM	322846-01	1	1	1	1	1	1	1	1	1	1
13	LABEL - R22	PES FILM	440362-01	1	1	1	1	1	1	1	1	1	1
14	OPERATION LABEL - VALVE	PVC FILM	439541-01	1	1	1	1	1	1	1	1	1	1
15	INSTRUCTION LABEL	PVC FILM	444575-01	1	1	1	1	1	1	1	1	1	1
16	RATING LABEL	-	4A1616-01									1	1
17	LABEL - CONTROL BOARD	-	3A0998-01										1
		-	3A1272-01										1

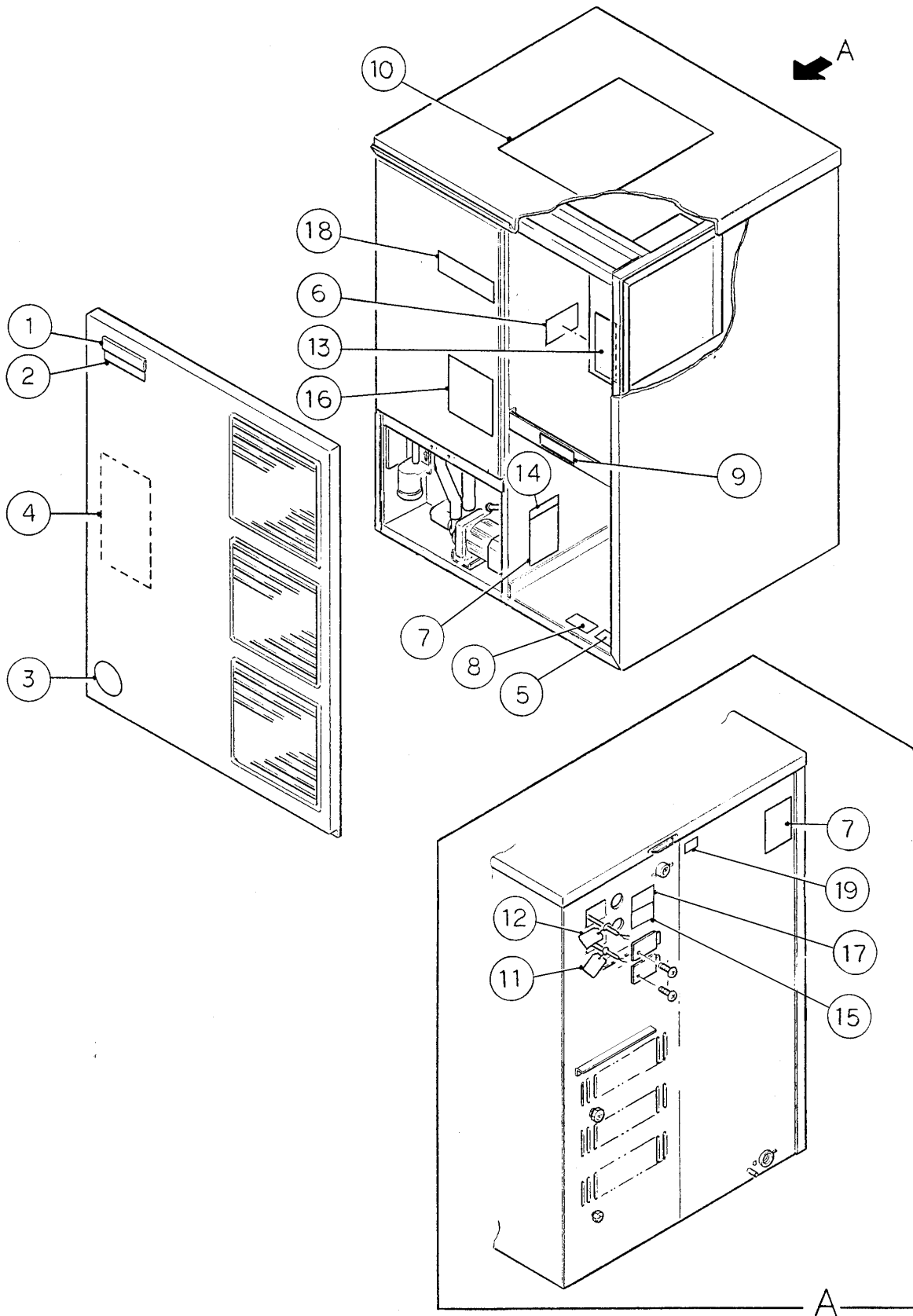


HA

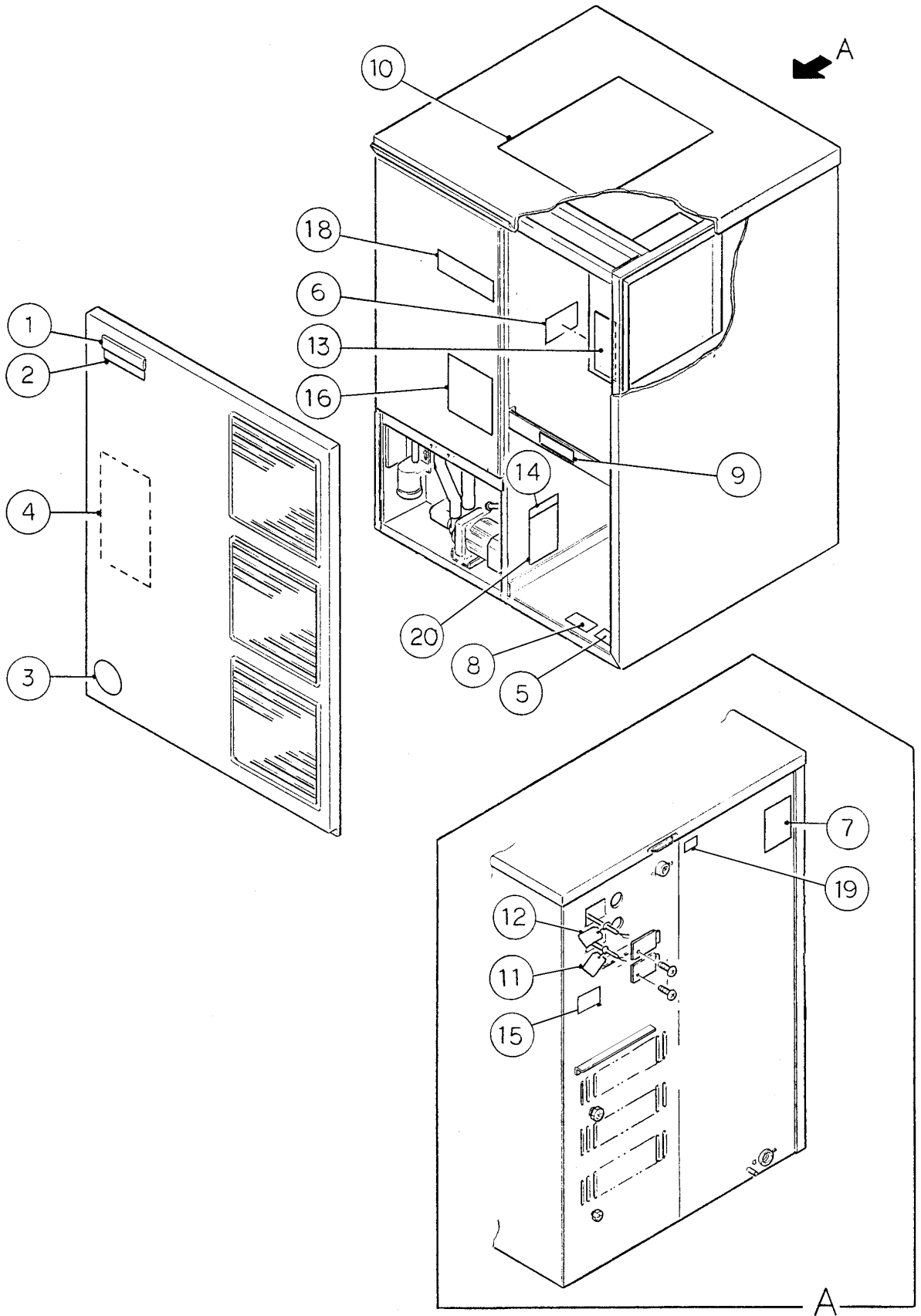
KM-1200MRE

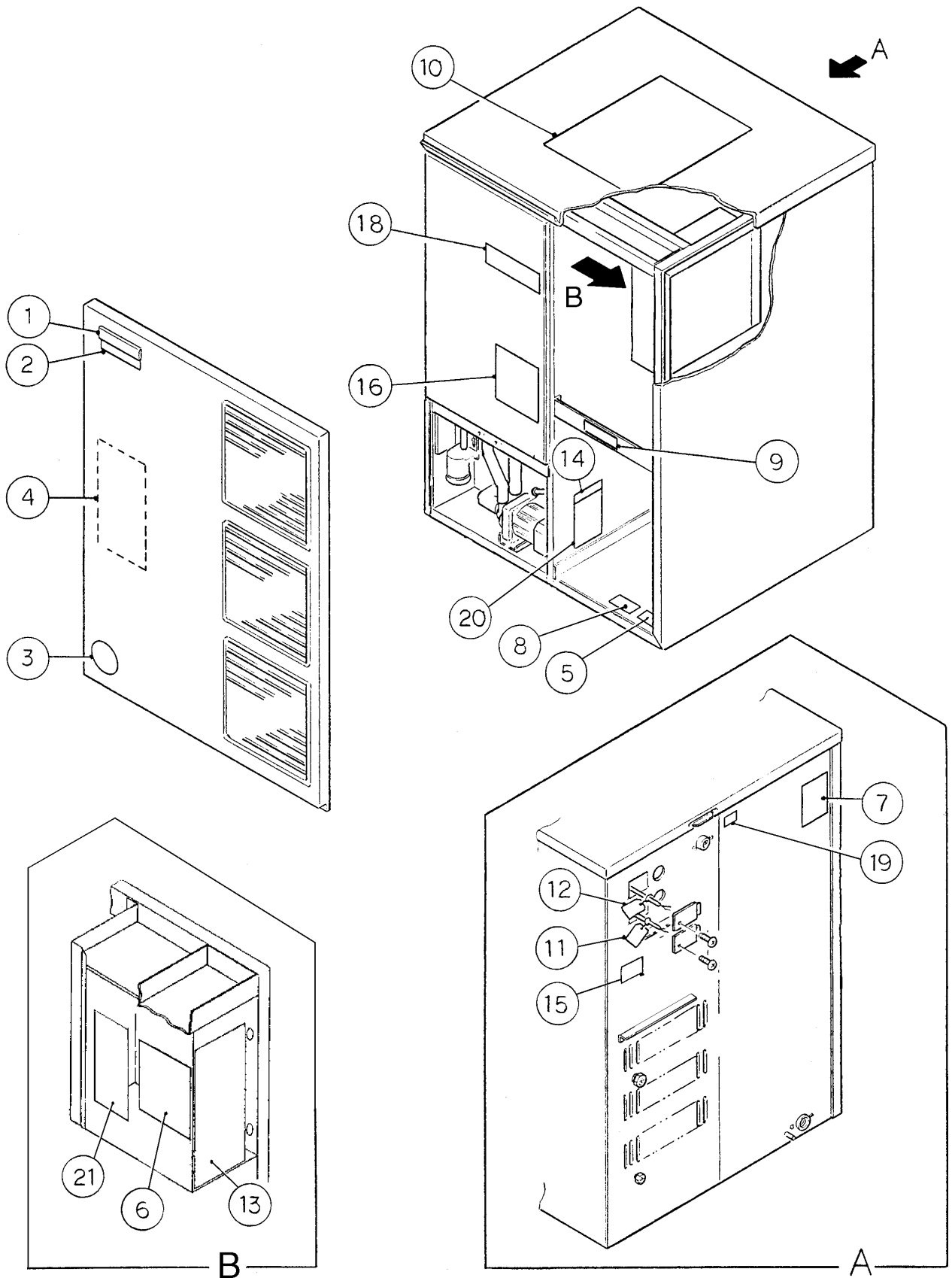
E. LABEL LOCATION

C-1, D-0, D-1, E-0, E-1,  
F-1, F-2, G-0, G-1, H-0









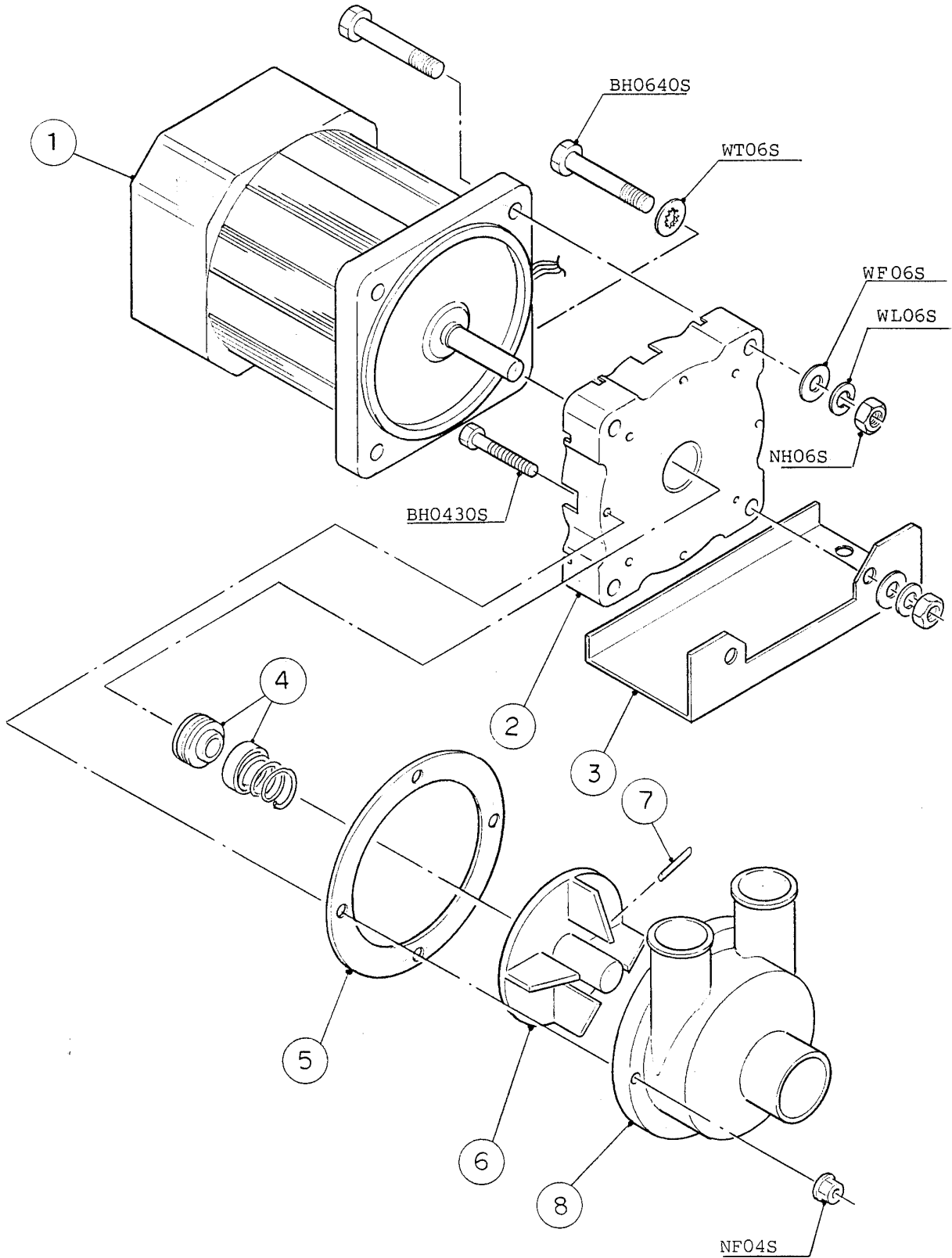
MODEL: <b>KM-1200MRE</b> TITLE: <b>E. LABEL LOCATION</b>													
INDEX NO.	DESCRIPTION	MATERIAL OR MODEL	PART NUMBER	REQUIRED NUMBER									
				C-0	D-0	D-1	E-0	F-1	F-2	G-1	H-1	H-3	J-1
				C-1			E-1		G-0	H-0	H-2		
1	EMBLEM (L) - HOSHIZAKI	ABS	418634G01	1	1	1	1	x1					
	EMBLEM	ABS	4A0560-01					o1	1	1	1	1	1
2	MODEL NUMBER LABEL	PETP FILM	444341-12	1	1	1	1	1	1	1	1	1	1
3	LABEL - PENGUIN (R)	PETP FILM	410994-01	1	1	1	1	1	x1				
	-	-	4A0526-01						o1	1	1	1	1
4	MAINTENANCE LABEL	PVC FILM	325975-01	1	1	1	1	1	1	1	1	1	1
5	WARNING LABEL - DANGER	PVC FILM	425322-01	1	1	1	1	1	1	1	x1		
	CAUTION LABEL (K)	-	439150-01								o1	1	1
6	WIRING LABEL	PVC FILM	331112-01	1	1	1	1	1	1	1	1	1	1
7	NAMEPLATE	PES FILM	444887-01	2	2	2	-						
		PES FILM	4A0697-01				2	2	2	2	1	1	1
8	LABEL - R22	PES FILM	440362-01	1	1	1	1	1	1	1	1	1	1
9	CAUTION LABEL	PVC FILM	436198-01	1	1	1	1	1	1	1	1	1	1
10	INSTRUCTION SHEET	PAPER	219122-01	1	1	1	1	1	1	1	1	1	1
11	TAG - FAN MOTOR LEADS	PAPER	420742-01	1	1	x1							
		PAPER	4A0647-01			o1	1	1	1	1	x1		
		PAPER	4A1494-01								o1	1	1
12	TAG - WARNING: ELECTRICAL CONNECTION	PAPER	428430-01	1	1	1	1	1	1	1	1	1	1
13	MANUAL LABEL	PVC FILM	324476-01	1	1	1	1	1	1	1	1	1	1
14	LABEL - CHARGE	PES FILM	443221-03	1	1	1	1	1	1	1	1	1	1
15	CAUTION LABEL	PVC FILM	441890-01	1	1	1	1	1	1	1	1	1	1
16	MANUAL LABEL - BIN CONTROL	PVC FILM	322846-01	1	1	1	1	1	1	1	1	1	1
17	LABEL - CONNECTION	PVC FILM	438234-01	1	1	-							
18	OPERATION LABEL - VALVE	PVC FILM	439541-01	1	1	1	1	1	1	1	1	1	1
19	INSTRUCTION LABEL	PVC FILM	444575-01	1	1	1	1	1	1	1	1	1	1
20	RATING LABEL	PES FILM	4A1628-01								1	1	1
21	LABEL - CONTROL BOARD	-	3A0998-01									1	-
		-	3A1272-01										1

HA

KM-1200MAE, MWE, MRE

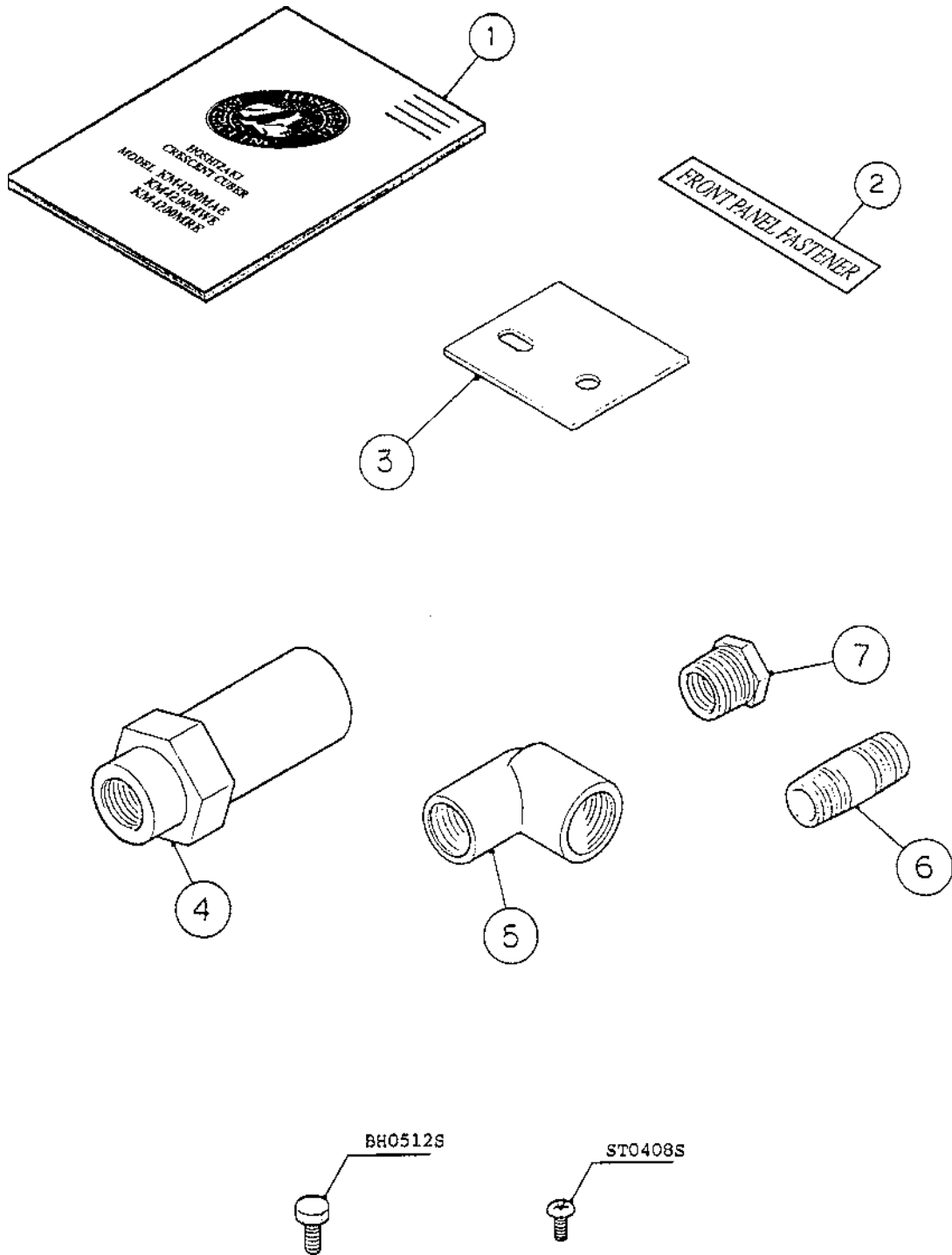
F. PUMP MOTOR ASSEMBLY

C-0, C-1, D-0, D-1, E-0, E-1,  
F-0, F-1, F-2, G-0, G-1, H-0,  
H-1, H-2, H-3, J-0, J-1



HA

MODEL: KM-1200MAE, MWE, MRE TITLE: F. PUMP MOTOR ASSEMBLY													
INDEX NO.	DESCRIPTION	MATERIAL OR MODEL	PART NUMBER	REQUIRED NUMBER									
				C-0	D-0	D-2	E-0	F-0	F-2	G-0	H-0	H-2	J-0
				C-1	D-1		E-1	F-1		G-1	H-1	H-3	J-1
1	PUMP MOTOR	M91A60SP201	2U0106-01	1	1	1	1	1	1	1	1	1	1
2	PUMP FLANGE	PC	215662-01	1	1	1	1	1	1	1	1	1	1
3	PUMP MOTOR BRACKET	SS	435057-01	1	1	1	1	1	1	1	1	1	1
4	MECHANICAL SEAL	H5-PN, 8MM	428545-01	1	1	1	1	1	1	1	1	1	1
5	PACKING	EPDM	428547-01	1	1	1	1	1	1	1	1	1	1
6	IMPELLER	ABS	428548-01	1	1	1	1	1	1	1	1	1	1
7	PIN	SS	414102-01	1	1	1	1	1	1	1	1	1	1
8	PUMP HOUSING	ABS	212636-01	1	1	1	1	1	1	1	1	1	1

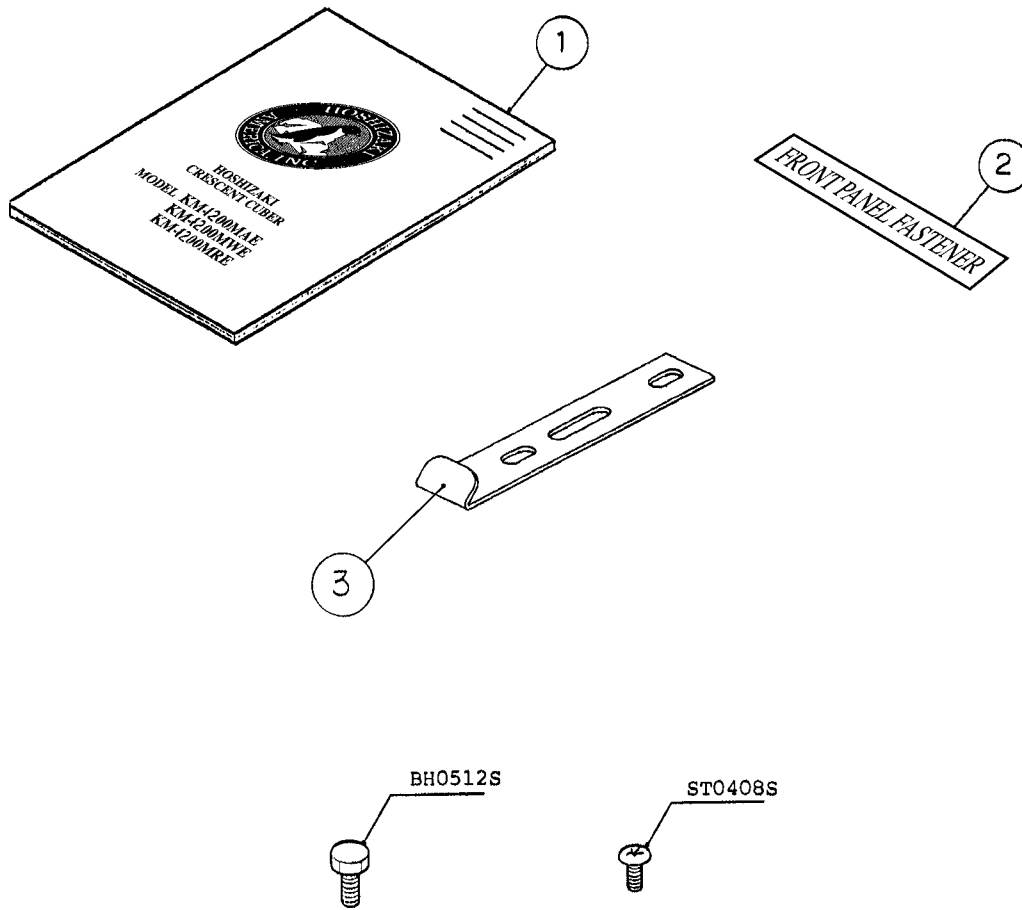


HA

KM-1200MAE, MWE, MRE

H. ACCESSORIES

C-1, D-0, D-1, D-2, E-0, E-1, F-0  
F-1, F-2, G-0, G-1, H-0, H-1, H-2,  
H-3, J-1







HA

MODEL: <b>KM-1200MWE</b> TITLE: <b>G. ACCESSORIES</b>														
INDEX NO.	DESCRIPTION	MATERIAL OR MODEL	PART NUMBER	REQUIRED NUMBER										
				C-0	D-1	D-2	E-0	E-1	F-0 F-1	F-2	G-0 G-1	H-0 H-1	H-2 J-0	
1	INSTRUCTION MANUAL	PAPER	91U1JR10A	1	-									
		PAPER	91U1JR10B		1	1	1	1	1	1	1	1	1	
2	LABEL - FASTENER	PAPER	427122-01	1	1	1	1	1	1	1	1	1	1	
3	BRACE	GS	4A0138-01	2	x2									
	UNIVERSAL BRACE	GS	4A0363-01		o2	2	2	2	2	2	2	2	2	
4	CHECK VALVE	PVC	4A0168-01	1	-									
5	ELBOW	PVC	439661-01	1	-									
6	NIPPLE	SS	4A0165-01	1	-									
7	REDUCER BUSHING	-	4A0169-01	1	-									