

NO. U1JG-787

ISSUED: NOV. 01, 1988

REVISED: MAR. 08, 1993



**HOSHIZAKI
MODULAR CRESCENT CUBER**

**MODEL KM-1200MAB
KM-1200MWB
KM-1200MRB**

PARTS LIST

J-1 JUN. 1989
K-0 DEC. 1989
K-1 APR. 1990
K-2 NOV. 1990
A-0 DEC. 1990
A-1 JAN. 1991
B-0 DEC. 1991
B-1 JAN. 1992

FINAL

MATERIAL ABBREVIATIONS

PLASTIC

ABS	=	Acrylonitrile-butadien-styrene
AC	=	Polyacetal
EVA	=	Ethylene vinyl acetate
PA	=	Polyamide =Nylon
PC	=	Polycarbonate
PE	=	Polyethylene
PES	=	Polyester
PETP	=	Polyethylene terephthalate =Tetlon
PP	=	Polypropyleneoride
PS	=	Polystyrene
PTFE	=	Polytetrafluoroethylene =Teflon
PUR	=	Polyurethane
PVC	=	Polyvinyl chloride

RUBBER

EPDM	=	EP rubber
NBR	=	Nitrile butadiene rubber
NR	=	Natural rubber
SI.R	=	Silicone rubber
SY.R	=	Synthetic rubber

STEEL

G.S	=	Galvanized steel
S.S	=	Stainless steel

AUXILIARY CODE

Ex.1 $\overline{\text{K-0}}$ — Parts are the same as in the preceding year.
 "K" is the tenth in alphabetical order with "I" skipped. So, "K" indicates "1990".

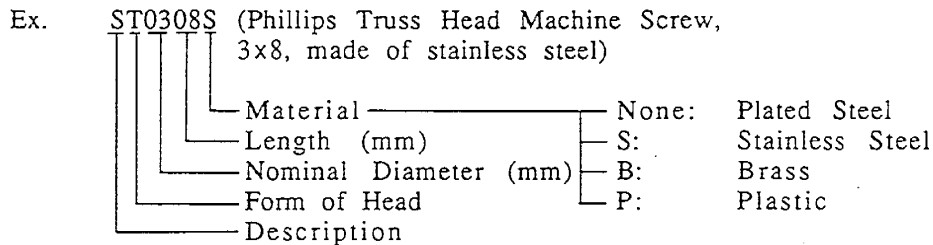
Ex.2 $\overline{\text{A-1}}$ — "A" is the first in alphabetical order. So, "A" indicates "1991".

Ex.3 $\underline{\text{A-2}}$ — Each time a part is changed in a year, this number advances.

(Note) — =Part deleted.
 X=Part deleted and replaced by "O" part.
 O=New part for "X" in the same auxiliary code.

FASTENER ABBREVIATION LIST

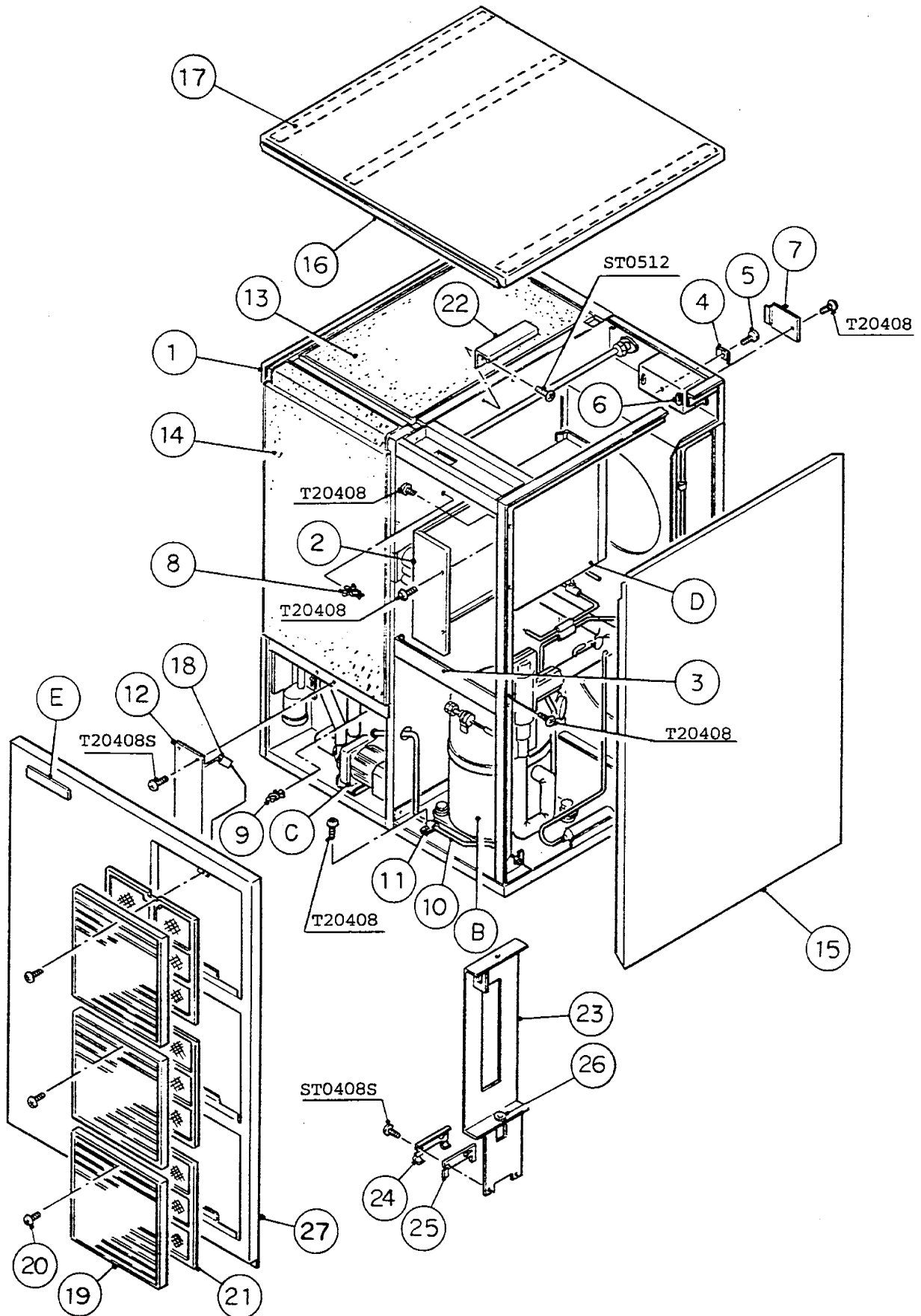
ST	Phillips Truss Head Machine Screw
SP	Phillips Pan Head Machine Screw
SF	Phillips Flat Head Machine Screw
SS	Phillips Pan Head Machine Screw with Split Lock Washer
SW	Phillips Pan Head Machine Screw with Split Lock Washer and Flat Washer
T1	Phillips Truss Head Tapping Screw (Correspond to Type A)
T2	Phillips Truss Head Tapping Screw (Correspond to Type B)
T3	Phillips Truss Head Tapping Screw (Correspond to Type C)
FT	Phillips Truss Head Tapping Screw (Special)
BH	Hexagon Head Bolt
BC	Socket Head Cap Screw
BS	Hexagon Bolt with Split Washer
BW	Hexagon Bolt with Split Washer and Flat Washer
BF	Hexagon Flange Bolt
BR	Cross-Recessed Hexagon Head Bolt
BRW	Cross-Recessed Hexagon Head Bolt with Split Lock Washer and Flat Washer
WL	Split Lock Washer
WT	External Tooth Washer
WF	Flat Washer
WS	Spring Washer
NH	Hexagon Nut
NF	Hexagon Flange Nut
NC	Hexagon Cap Nut
NS	Square Nut
NW	Wing Nut

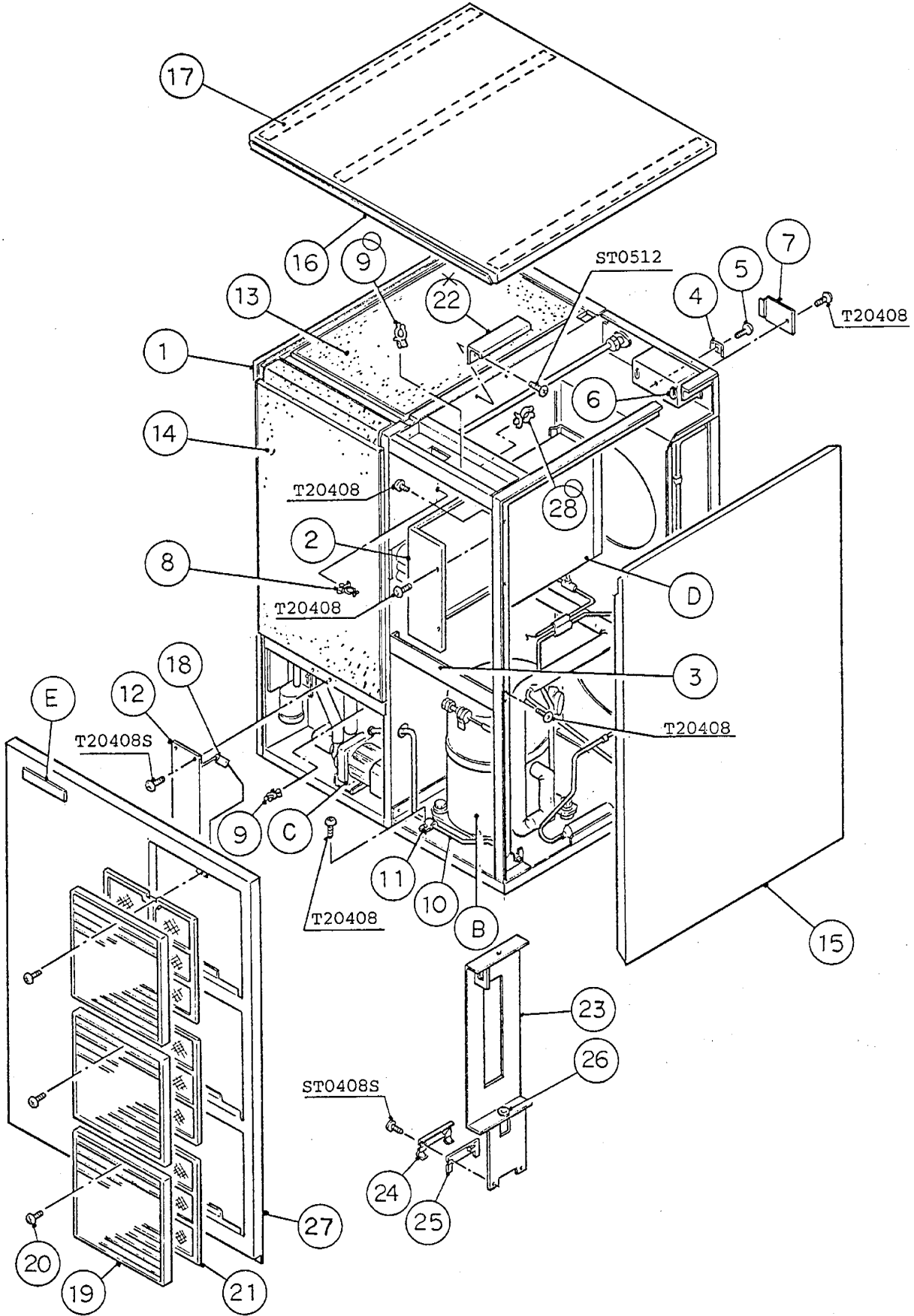


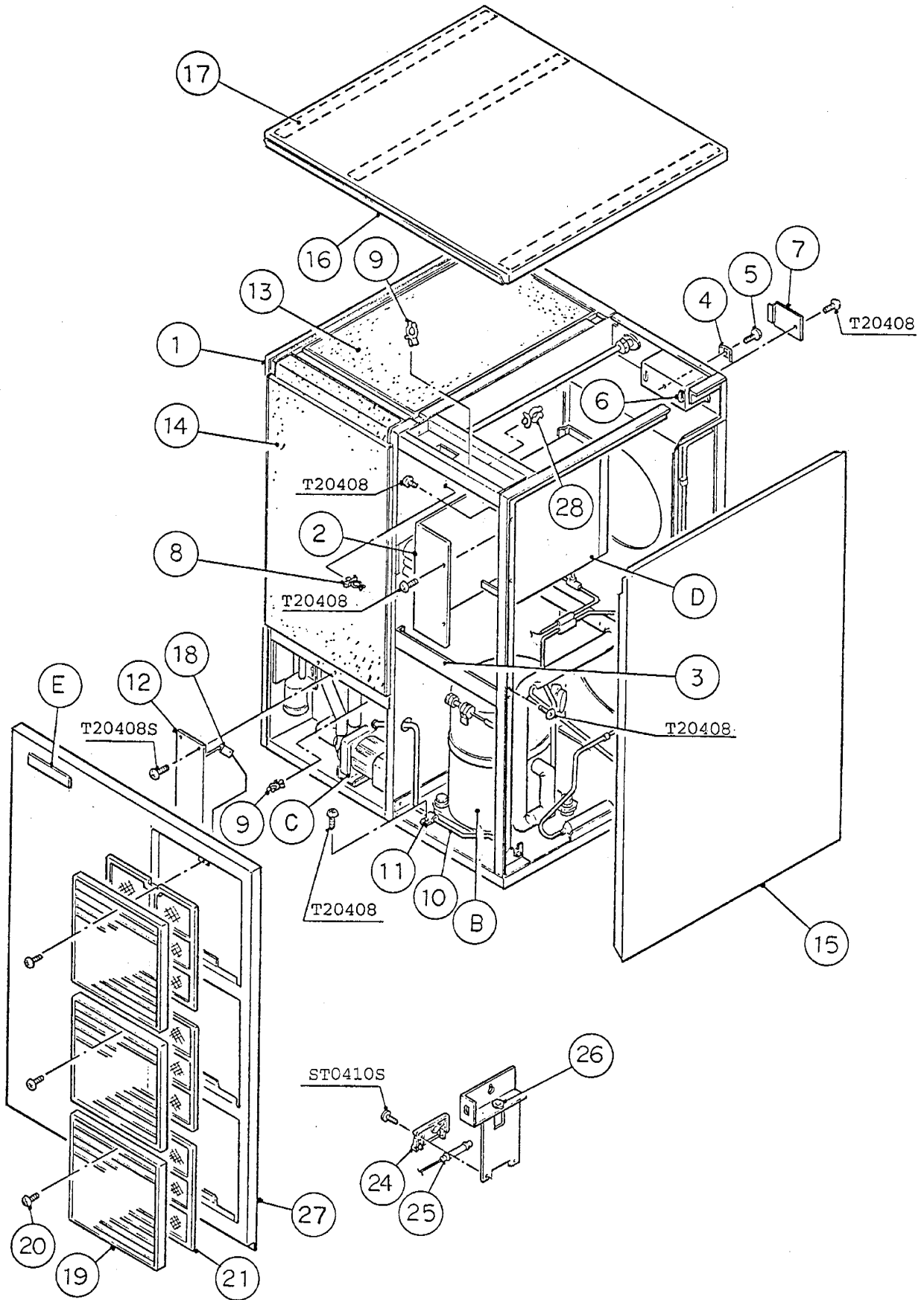
(Note) Second character is numerical except the list.

Ex. S1, S2, B3 etc.

And abbreviations and names are shown under the illustration.







HA

MODEL		TITLE			REQ'D NUMBER				
KM-1200MAB		A. ICE CUBER ASSY							
INDEX NO.	DESCRIPTION	MATERIAL OR MODEL NUMBER	PART NUMBER	J-1	K-0	K-1	K-2	A-0	
				B	REFRIGERATION CIRCUIT	-	104723A01	1	1
			104813A01			1	-		
			104813A02				1	x 1	
			104813A03					o 1	
C	WATER CIRCUIT	-	104453A01	1	1	1	-		
			105060A01				1	1	
D	CONT. BOX ASSY	-	212607A02	1	1	-			
			212607A03			1	1	1	
E	LABEL LOCATION	-	322749A01	1	1	1	-		
			325982A01				1	1	
1	Evap. Case	-	104445G01	1	1	1	-		
			105124G01				1	1	
2	Cont. Box Cover	G. S	322616-01	1	1	1	-		
			322616G02				1	1	
3	Frame (F)	G. S	324093-01	1	1	1	1	1	
4	Square Washer	Copper	433537-01	1	1	x 1			
			433537-02			o 1	1	1	
5	Screw - Grounding	Brass	433304-01	1	1	x 1			
			433304-02			o 1	1	1	
6	Bushing	SR-30-1	420472-03	1	1	1	1	x 1	
		SR-34-2	420472-05					o 1	
7	Junction Box Cover	G. S	433410-03	1	1	1	1	1	
8	Clamp	No. 249	427902-03	6	6	6	6	6	
9	Clamp	No. 248	427902-04	2	2	2	2	2	
10	Conduit	Copper	435081-01	1	1	1	1	1	
11	Clamp	G. S	435124-01	1	1	1	1	1	
12	Separator	S. S	322687-01	1	1	1	1	1	
13	Top Insulation	ABS, PE	322714G01	1	1	1	1	1	
14	Front Insulation	ABS, PE	322711G01	1	1	1	1	1	
15	Side Panel (R)	S. S	212688G01	1	1	1	1	1	
16	Top Panel		212687-01	1	1	1	1	1	
17	Gasket	} (323836A01)	427014-02	3	-				
			427014-04			3	3	3	3
18	Edging	EE-12	435297-01	1	1	1	1	1	

E

HA

MODEL		TITLE						
KM-1200MAB		A. ICE CUBER ASSY						
INDEX NO.	DESCRIPTION	MATERIAL OR MODEL NUMBER	PART NUMBER	REQ'D NUMBER				
				A-1	B-0	B-1		
B	REFRIGERATION CIRCUIT	-	104813A03	x 1				
			105458A01	o 1	1	1		
C	WATER CIRCUIT	-	105060A01	1	1	1		
D	CONT. BOX ASSY	-	212607A03	1	1	-		
			217130A03			x 1		
			217130A08			o 1		
E	LABEL LOCATION	-	325982A01	x 1				
			325982A02	o 1	1	-		
			328116A01			1		
1	Evap. Case	-	105124G01	1	1	x 1		
			105124G03			o 1		
2	Cont. Box Cover	G. S	322616G02	1	1	x 1		
			3A0174-01			o 1		
3	Frame (F)	G. S	324093-01	1	1	1		
4	Square Washer	Copper	433537-02	1	1	1		
5	Screw - Grounding	Brass	433304-02	1	1	1		
6	Bushing	SR-34-2	420472-05	1	1	1		
7	Junction Box Cover	G. S	433410-03	1	1	1		
8	Clamp	No. 249	427902-03	6	6	6		
9	Clamp	No. 248	427902-04	x 2				
				o 3	3	3		
10	Conduit	Copper	435081-01	1	1	1		
11	Clamp	G. S	435124-01	1	1	1		
12	Separator	S. S	322687-01	1	1	1		
13	Top Insulation	ABS, PE	322714G01	1	1	1		
14	Front Insulation	ABS, PE	322711G01	1	1	1		
15	Side Panel (R)	S. S	212688G01	1	1	1		
16	Top Panel		212687-01	1	1	1		
17	Gasket	} (323836A01)	427014-04	3	3	3		
18	Edging		EE-12	435297-01	1	1	1	

E

HA

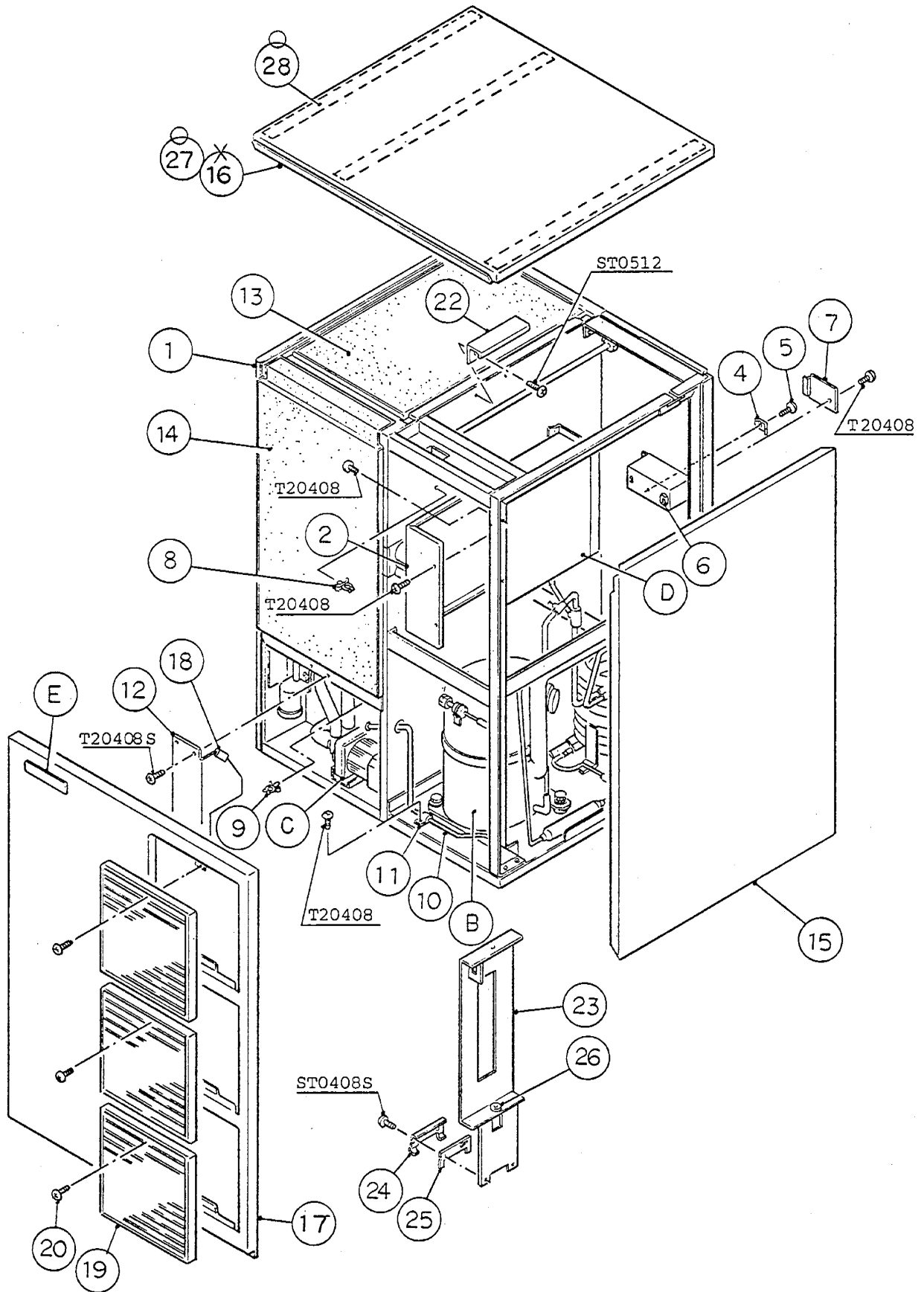
MODEL		TITLE							
KM-1200MAB		A. ICE CUBER ASSY							
INDEX NO.	DESCRIPTION	MATERIAL OR MODEL NUMBER	PART NUMBER	REQ'D NUMBER					
				J-1	K-0	K-1	K-2	A-0	
19	Louver (B)	-	103121-01	3	3	3	3	3	
20	Tapping Screw (Black)	Steel	433954-01	3	3	3	3	3	
21	Air Filter (B)	-	208283G01	3	3	3	3	3	
22	Hook	G. S	433769-01	1	1	x 1			
23	Bulb Holder	-	322815G01	1	1	1	1	1	
24	Bulb Holder (A)	S. S	433707-01	1	1	1	1	1	
25	Bulb Holder (B)	ABS	433708-01	1	1	1	1	1	
26	Bushing	EPDM	425307-01	1	1	1	1	1	
27	Front Panel	S. S	212685-01	1	1	1	1	1	

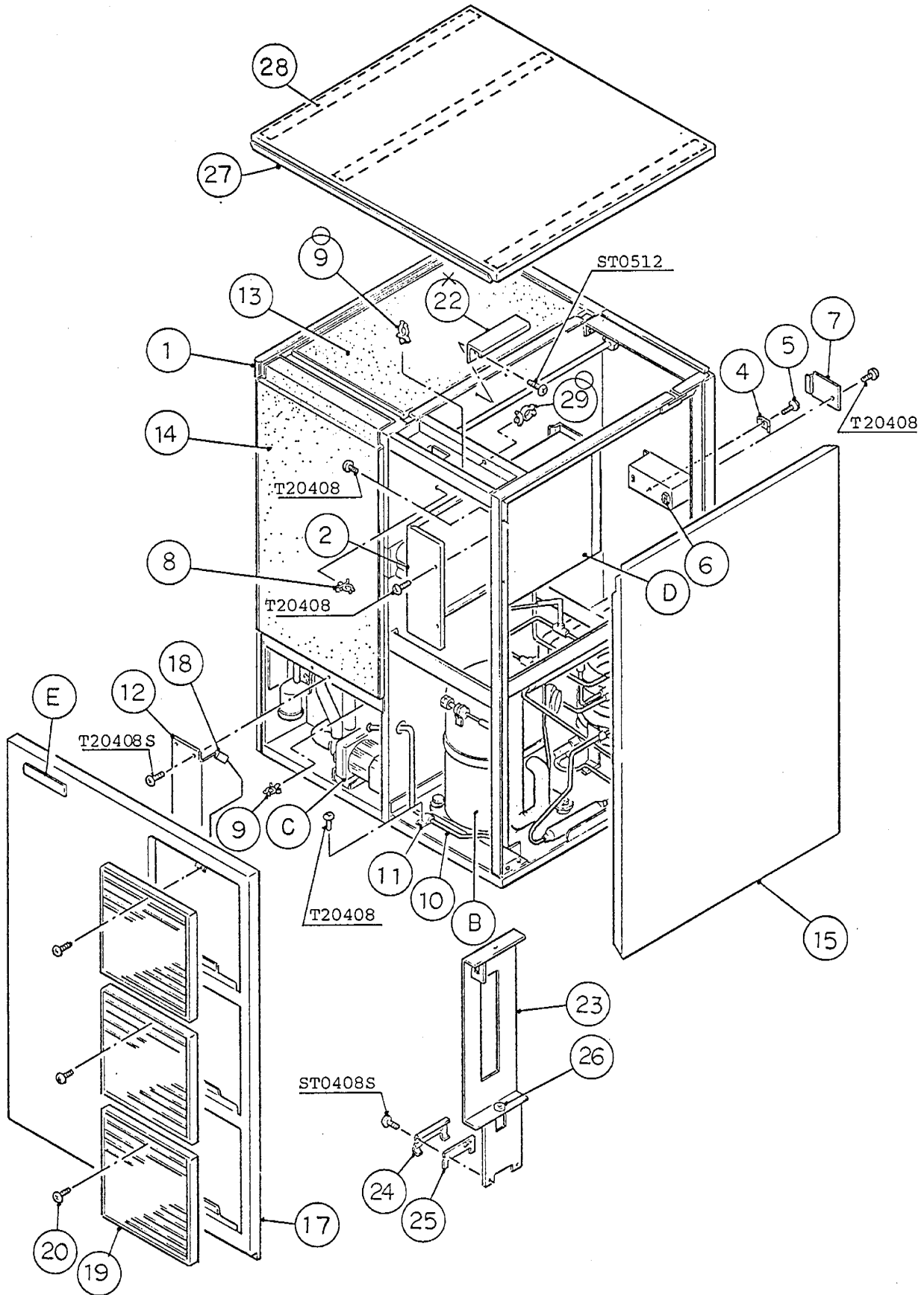
E

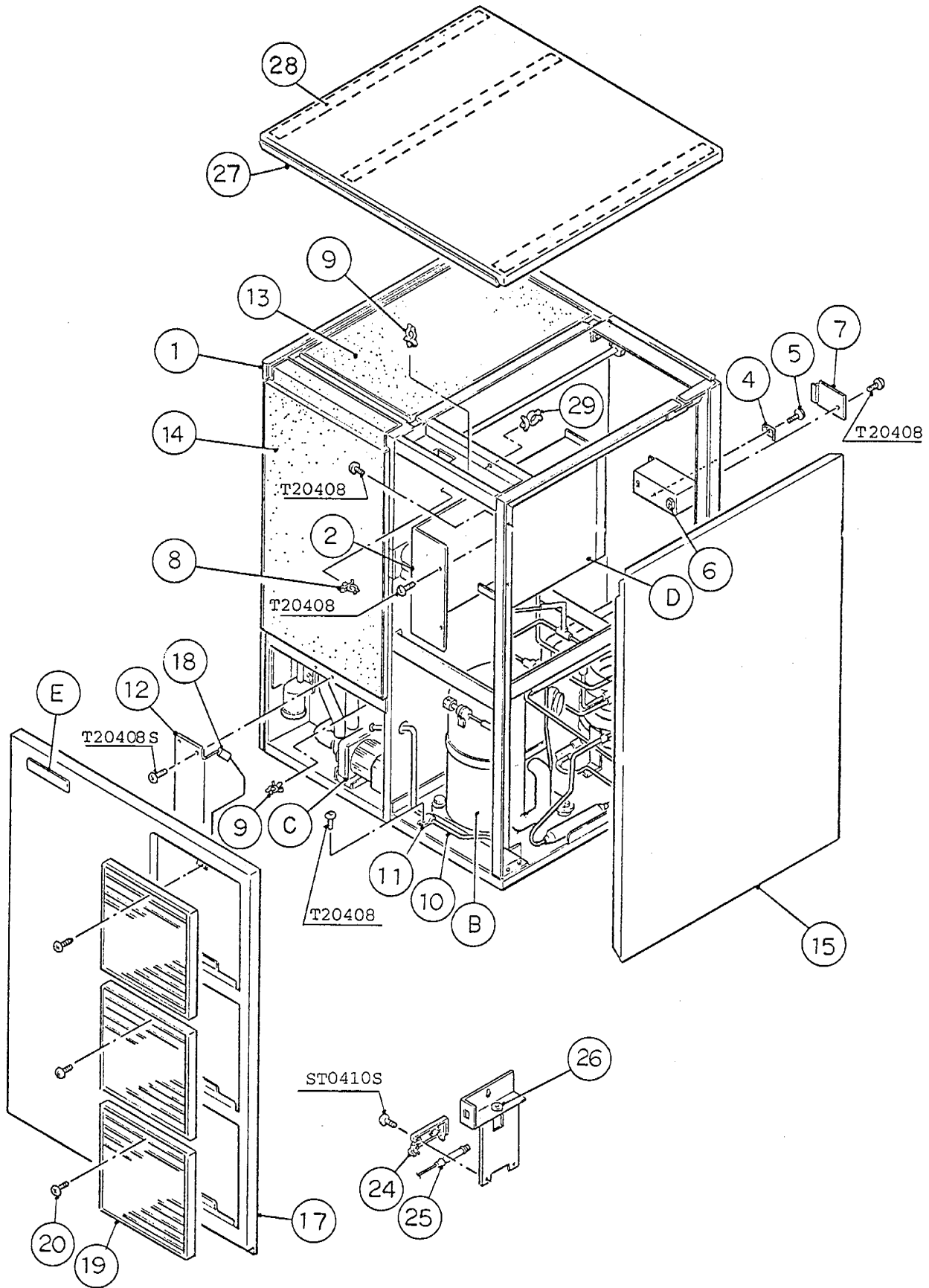
HA

MODEL		TITLE					
KM-1200MAB		A. ICE CUBER ASSY					
INDEX NO.	DESCRIPTION	MATERIAL OR MODEL NUMBER	PART NUMBER	REQ'D NUMBER			
				A-1	B-0	B-1	
19	Louver (B)	-	103121-01	3	3	3	
20	Tapping Screw (Black)	Steel	433954-01	3	3	3	
21	Air Filter (B)	-	208283G01	3	3	3	
22	-	-	-	-			
23	Bulb Holder	-	322815G01	1	1	x 1	
			322815G02			o 1	
24	Bulb Holder (A) Bulb Holder	S. S	433707-01	1	1	x 1	
			328919-01			o 1	
25	Bulb Holder (B) Spacer	ABS	433708-01	1	1	x 1	
			443545-01			o 2	
26	Bushing	EPDM	425307-01	1	1	1	
27	Front Panel	S. S	212685-01	1	1	1	
28	Clamp	No. 4253	427902-05			o 1	

E







HA

MODEL		TITLE		REQ'D NUMBER				
KM-1200MWB		A. ICE CUBER ASSY		J-1	K-0	K-1	K-2	A-0
INDEX NO.	DESCRIPTION	MATERIAL OR MODEL NUMBER	PART NUMBER	J-1	K-0	K-1	K-2	A-0
B	REFRIGERATION CIRCUIT	-	104440A01	1	1	-		
			104811A01			1	-	
			104811A02				1	x 1
			104811A03					o 1
C	WATER CIRCUIT	-	104453A01	1	1	1	-	
			105060A01				1	1
D	CONT. BOX ASSY	-	212607A03	1	1	1	1	1
E	LABEL LOCATION	-	322750A01	1	1	1	-	
			325983A01				1	1
1	Evap. Case	-	104445G01	1	1	1	-	
			105124G01				1	1
2	Cont. Box Cover	G. S	322616-01	1	1	1	-	
			322616G02				1	1
3	-	-	-	-	-	-	-	-
4	Square Washer	Copper	433537-01	1	1	x 1		
			433537-02				o 1	1
5	Screw - Grounding	Brass	433304-01	1	1	x 1		
			433304-02				o 1	1
6	Bushing	SR-34-2	420472-05	x 1				o 1
			SR-30-1					
7	Junction Box Cover	G. S	433410-01	1	1	1	1	1
8	Clamp	No. 249	427902-03	7	7	7	7	7
9	Clamp	No. 248	427902-04	2	2	2	2	x 2
								o 3
10	Conduit	Copper	435081-01	1	1	1	1	1
11	Clamp	G. S	435124-01	1	1	1	1	1
12	Separator	S. S	322687-01	1	1	1	1	1
13	Top Insulation	ABS, PE	322714G01	1	1	1	1	1
14	Front Insulation	ABS, PE	322711G01	1	1	1	1	1
15	Side Panel (R)	S. S	212688G01	1	1	1	1	1
16	Top Panel	S. S	212687G01	x 1				
17	Front Panel	S. S	212685-01	1	1	1	1	1
18	Edging	EE-12	435297-01	1	1	1	1	1
19	Louver (B)	-	103121-01	3	3	3	3	3

E

HA

MODEL		TITLE					
KM-1200MWB		A. ICE CUBER ASSY					
INDEX NO.	DESCRIPTION	MATERIAL OR MODEL NUMBER	PART NUMBER	REQ'D NUMBER			
				A-1	B-0	B-1	
B	REFRIGERATION CIRCUIT	-	104811A03	1	1	1	
C	WATER CIRCUIT	-	105060A01	1	1	1	
D	CONT. BOX ASSY	-	212607A03	1	1	-	
			217130A03			x 1	
			217130A08			o 1	
E	LABEL LOCATION	-	325983A01	1	1	-	
			328115A01			1	
1	Evap. Case	-	105124G01	1	1	1	
2	Cont. Box Cover	G. S	322616G02	1	1	x 1	
			3A0174-01			o 1	
3	-	-	-	-			
4	Square Washer	Copper	433537-02	1	1	1	
5	Screw - Grounding	Brass	433304-02	1	1	1	
6	Bushing	SR-34-2	420472-05	1	1	1	
7	Junction Box Cover	G. S	433410-01	1	1	1	
8	Clamp	No. 249	427902-03	7	7	7	
9	Clamp	No. 248	427902-04	3	3	3	
10	Conduit	Copper	435081-01	1	1	1	
11	Clamp	G. S	435124-01	1	1	1	
12	Separator	S. S	322687-01	1	1	1	
13	Top Insulation	ABS, PE	322714G01	1	1	1	
14	Front Insulation	ABS, PE	322711G01	1	1	1	
15	Side Panel (R)	S. S	212688G01	1	1	1	
16	-	-	-	-			
17	Front Panel	S. S	212685-01	1	1	1	
18	Edging	EE-12	435297-01	1	1	1	
19	Louver (B)	-	103121-01	3	3	3	

E

HA

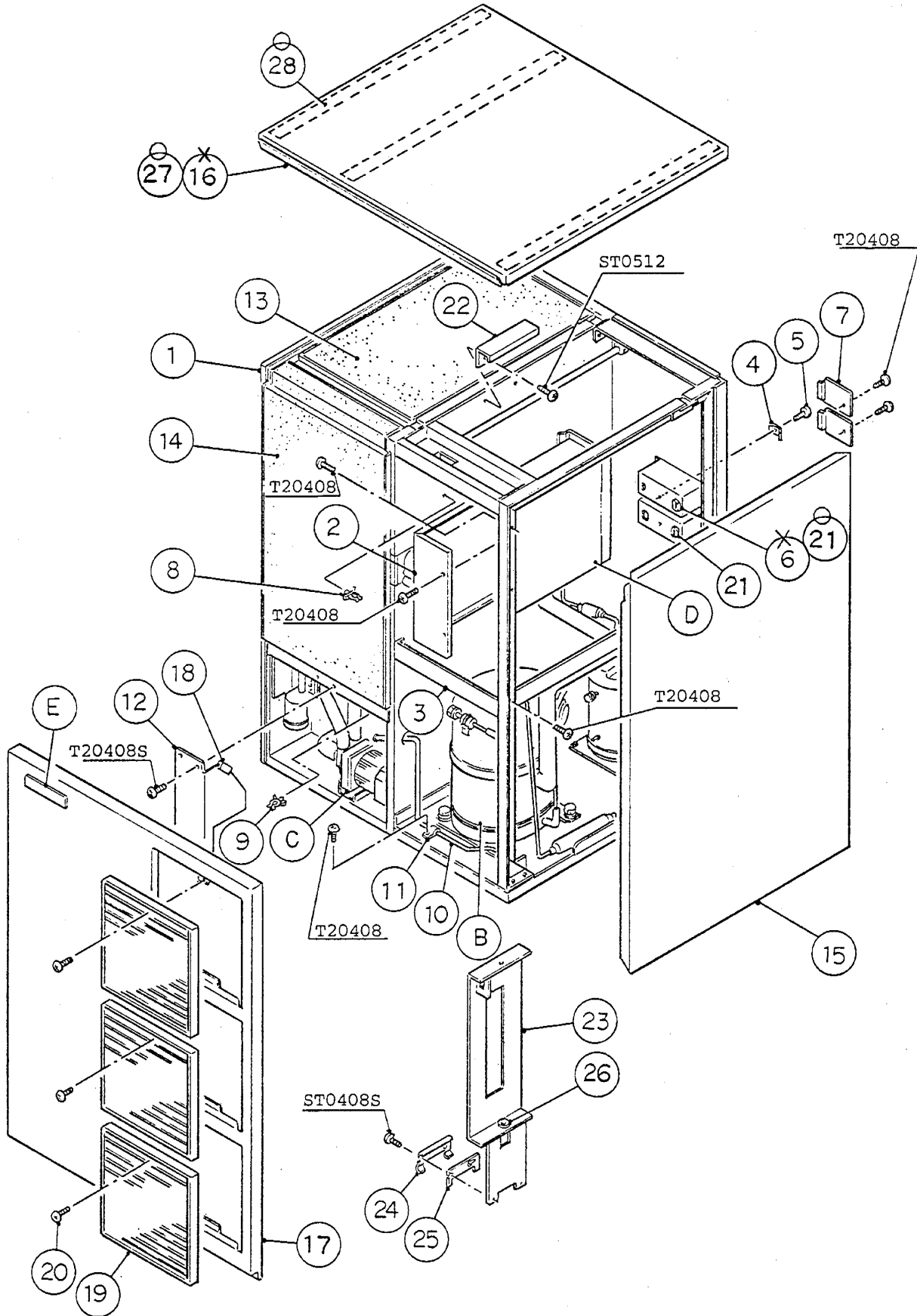
MODEL		TITLE						
KM-1200MWB		A. ICE CUBER ASSY						
INDEX NO.	DESCRIPTION	MATERIAL OR MODEL NUMBER	PART NUMBER	REQ'D NUMBER				
				J-1	K-0	K-1	K-2	A-0
20	Tapping Screw (Black)	Steel	433954-01	3	3	3	3	3
21	-	-	-	-				
22	Hook	G. S	433769-01	1	1	x 1		
23	Bulb Holder	-	322815G01	1	1	1	1	1
24	Bulb Holder (A)	S. S	433707-01	1	1	1	1	1
25	Bulb Holder (B)	ABS	433708-01	1	1	1	1	1
26	Bushing	EPDM	425307-01	1	1	1	1	1
27	Top Panel	} (323836A01)	212687-01	o 1	1	1	1	1
28	Gasket		427014-02	o 3	-			
			427014-04		3	3	3	3

E

HA

MODEL		TITLE					
KM-1200MWB		A. ICE CUBER ASSY					
INDEX NO.	DESCRIPTION	MATERIAL OR MODEL NUMBER	PART NUMBER	REQ'D NUMBER			
				A-1	B-0	B-1	
20	Tapping Screw (Black)	Steel	433954-01	3	3	3	
21	-	-	-	-			
22	-	-	-	-			
23	Bulb Holder	-	322815G01	1	1	x 1	
			322815G02			o 1	
24	Bulb Holder (A)	S. S	433707-01	1	1	x 1	
	Bulb Holder		328919-01			o 1	
25	Bulb Holder (B)	ABS	433708-01	1	1	x 1	
	Spacer		443545-01			o 2	
26	Bushing	EPDM	425307-01	1	1	1	
27	Top Panel) (323836A01)	212687-01	1	1	1	
28	Gasket		427014-04	3	3	3	
29	Clamp		No. 4253	427902-05			o 1

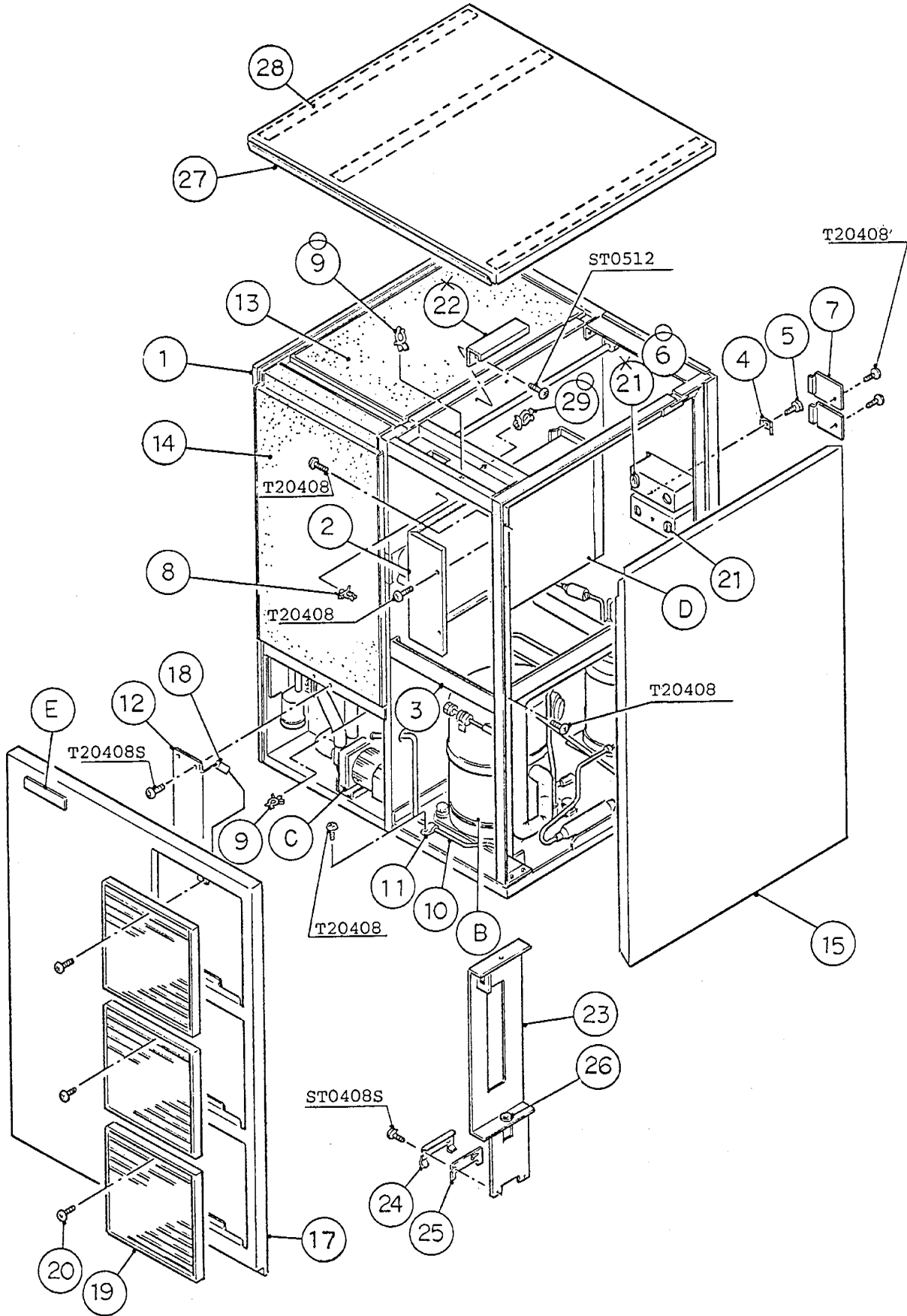
F

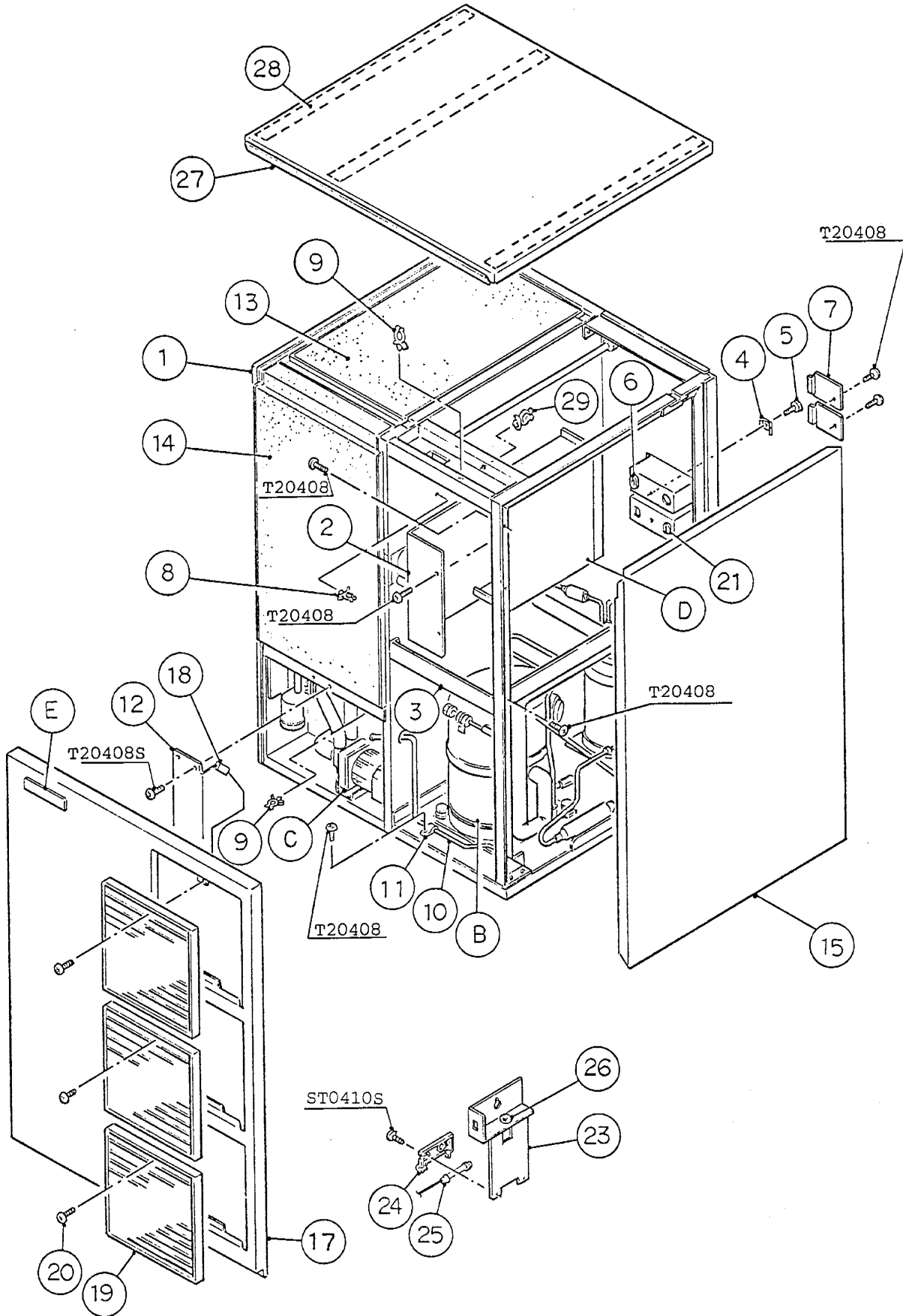


HA
KM-1200MRB

A. ICE CUBER ASSY

(B-1)(B-0)(A-1)
(A-0)(K-2)(K-1)





HA

MODEL		TITLE						
KM-1200MRB		A. ICE CUBER ASSY						
INDEX NO.	DESCRIPTION	MATERIAL OR MODEL NUMBER	PART NUMBER	REQ'D NUMBER				
				J-1	K-0	K-1	K-2	A-0
B	REFRIGERATION CIRCUIT	-	104441A01	1	1	-		
			104812A01			1	-	
			104812A02				1	x 1
			104812A03					o 1
C	WATER CIRCUIT	-	104453A01	1	1	1	-	
			105060A01				1	1
D	CONT. BOX ASSY	-	212607A02	1	1	-		
			212607A03				1	1
E	LABEL LOCATION	-	322751A01	1	1	1	-	
			325984A01				1	1
1	Evap. Case	-	104445G01	1	1	1	-	
			105124G01				1	1
2	Cont. Box Cover	G. S	322616G01	1	1	1	-	
			322616G02				1	1
3	Frame (F)	G. S	322696G02	1	1	1	1	x 1
	Frame (F1)	G. S	322696-01					o 1
4	Square Washer	Copper	433537-01	2	2	x 2		
			433537-02				o 2	2
5	Screw - Grounding	Brass	433304-01	2	2	x 2		
			433304-02				o 2	2
6	Bushing	SR-34-2	420472-05	x 1				o 1
7	Junction Box Cover	G. S	433410-01	2	2	2	2	2
8	Clamp	No. 249	427902-03	7	7	7	7	7
9	Clamp	No. 248	427902-04	2	2	2	2	x 2
								o 3
10	Conduit	Copper	435081-01	1	1	1	1	1
11	Clamp	G. S	435124-01	1	1	1	1	1
12	Separator	S. S	322687-01	1	1	1	1	1
13	Top Insulation	ABS, PE	322714G01	1	1	1	1	1
14	Front Insulation	ABS, PE	322711G01	1	1	1	1	1
15	Side Panel (R)	S. S	212688G01	1	1	1	1	1
16	Top Panel	S. S	212687G01	x 1				
17	Front Panel	S. S	212685-01	1	1	1	1	1
18	Edging	EE-12	435297-01	1	1	1	1	1

E

HA

MODEL		TITLE		REQ'D NUMBER			
KM-1200MRB		A. ICE CUBER ASSY		A-1	B-0	B-1	
INDEX NO.	DESCRIPTION	MATERIAL OR MODEL NUMBER	PART NUMBER	A-1	B-0	B-1	
B	REFRIGERATION CIRCUIT	-	104812A03	1	1	1	
C	WATER CIRCUIT	-	105060A01	1	1	1	
D	CONT. BOX ASSY	-	212607A03	1	1	-	
			217130A03			x 1	
			217130A08			o 1	
E	LABEL LOCATION	-	325984A01	1	1	-	
			328114A01			1	
1	Evap. Case	-	105124G01	1	1	1	
2	Cont. Box Cover	G. S	322616G02	1	1	x 1	
			3A0174-01			o 1	
3	Frame (F1)	G. S	322696-01	1	1	1	
4	Square Washer	Copper	433537-02	2	2	2	
5	Screw - Grounding	Brass	433304-02	2	2	2	
6	Bushing	SR-34-2	420472-05	1	1	1	
7	Junction Box Cover	G. S	433410-01	2	2	2	
8	Clamp	No. 249	427902-03	7	7	7	
9	Clamp	No. 248	427902-04	3	3	3	
10	Conduit	Copper	435081-01	1	1	1	
11	Clamp	G. S	435124-01	1	1	1	
12	Separator	S. S	322687-01	1	1	1	
13	Top Insulation	ABS, PE	322714G01	1	1	1	
14	Front Insulation	ABS, PE	322711G01	1	1	1	
15	Side Panel (R)	S. S	212688G01	1	1	1	
16	-	-	-	-	-	-	
17	Front Panel	S. S	212685-01	1	1	1	
18	Edging	EE-12	435297-01	1	1	1	

E

HA

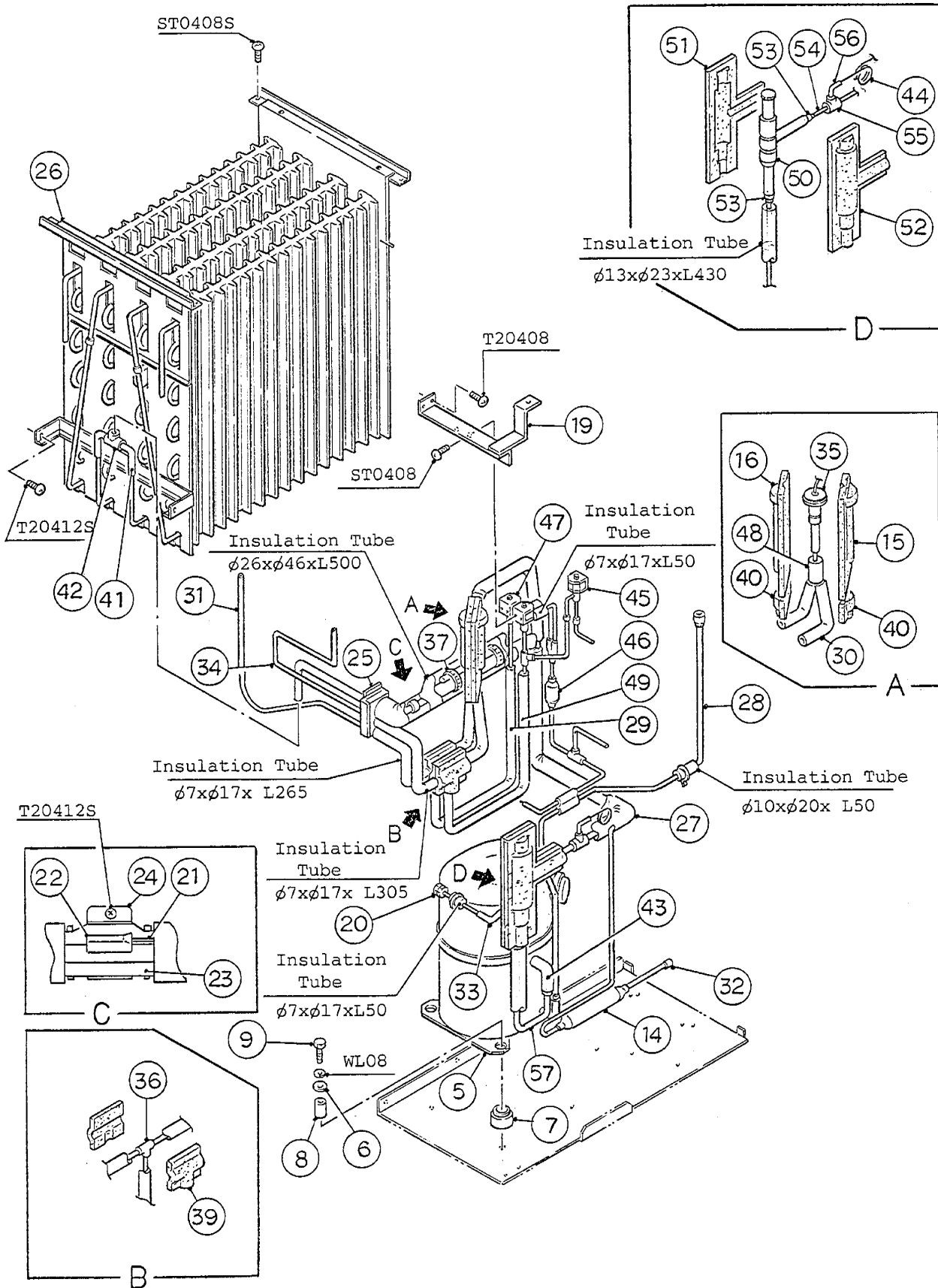
MODEL		TITLE			REQ'D NUMBER				
KM-1200MRB		A. ICE CUBER ASSY			J-1	K-0	K-1	K-2	A-0
INDEX NO.	DESCRIPTION	MATERIAL OR MODEL NUMBER	PART NUMBER	J-1	K-0	K-1	K-2	A-0	
19	Louver (B)	-	103121-01	3	3	3	3	3	
20	Tapping Screw (Black)	Steel	433954-01	3	3	3	3	3	
21	Bushing	SR-30-1	420472-03	x 1 o 2	2	2	2	1	
22	Hook	G. S	433769-01	1	1	x 1			
23	Bulb Holder	-	322815G01	1	1	1	1	1	
24	Bulb Holder (A)	S. S	433707-01	1	1	1	1	1	
25	Bulb Holder (B)	ABS	433708-01	1	1	1	1	1	
26	Bushing	EPDM	425307-01	1	1	1	1	1	
27	Top Panel	} (323836A01)	212687-01	o 1	1	1	1	1	
28	Gasket		427014-02	o 3	-				
			427014-04		3	3	3	3	

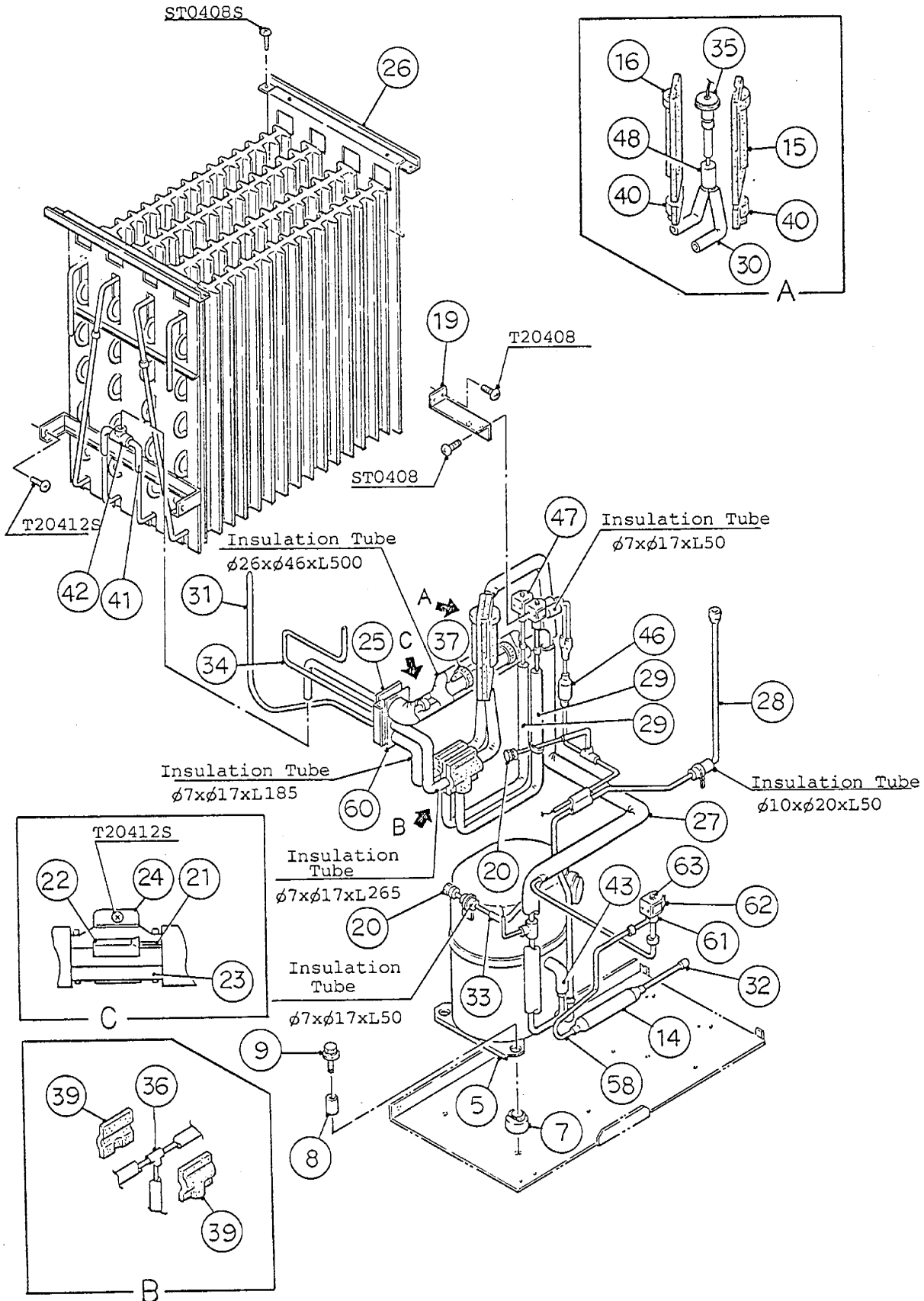
E

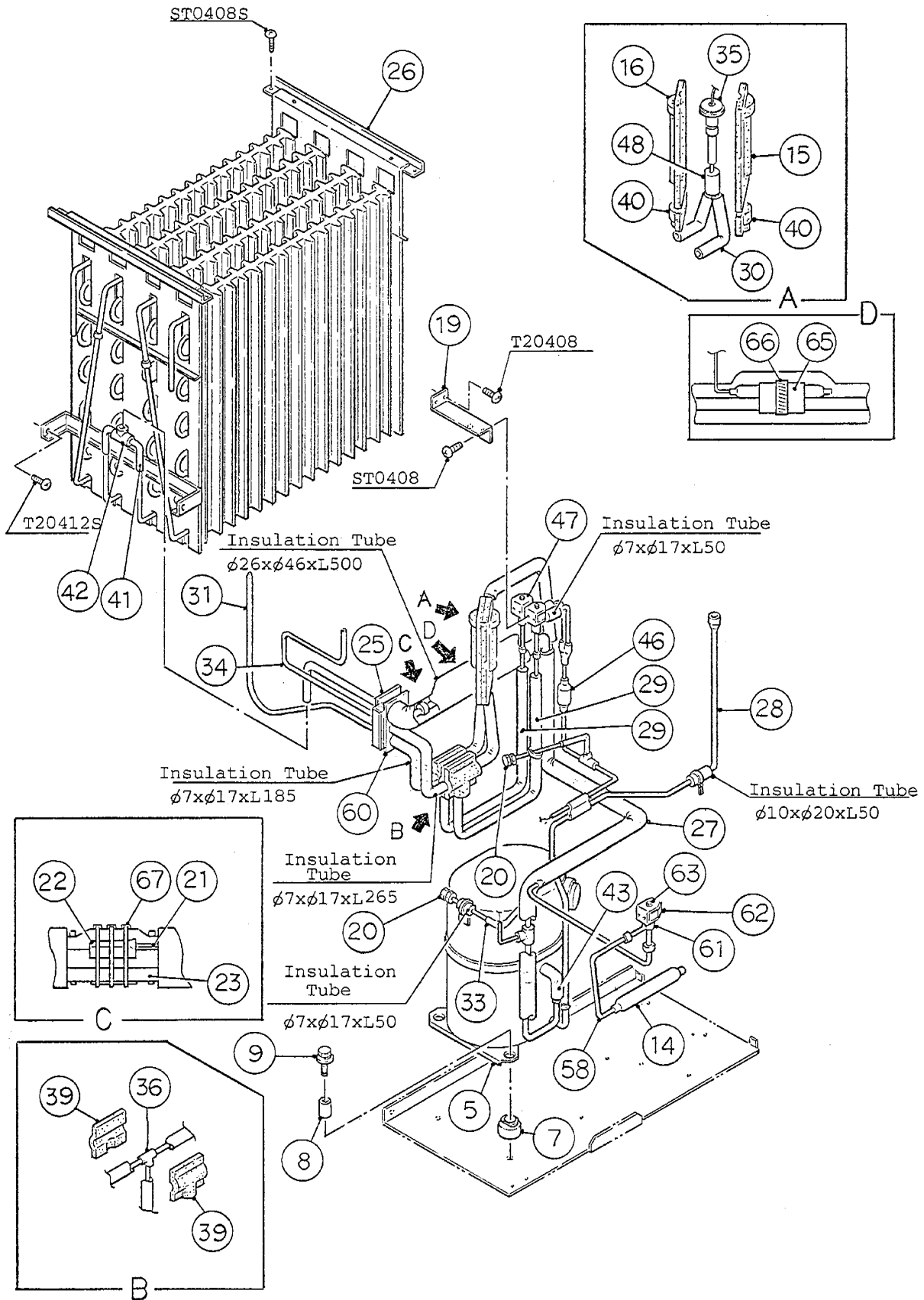
HA

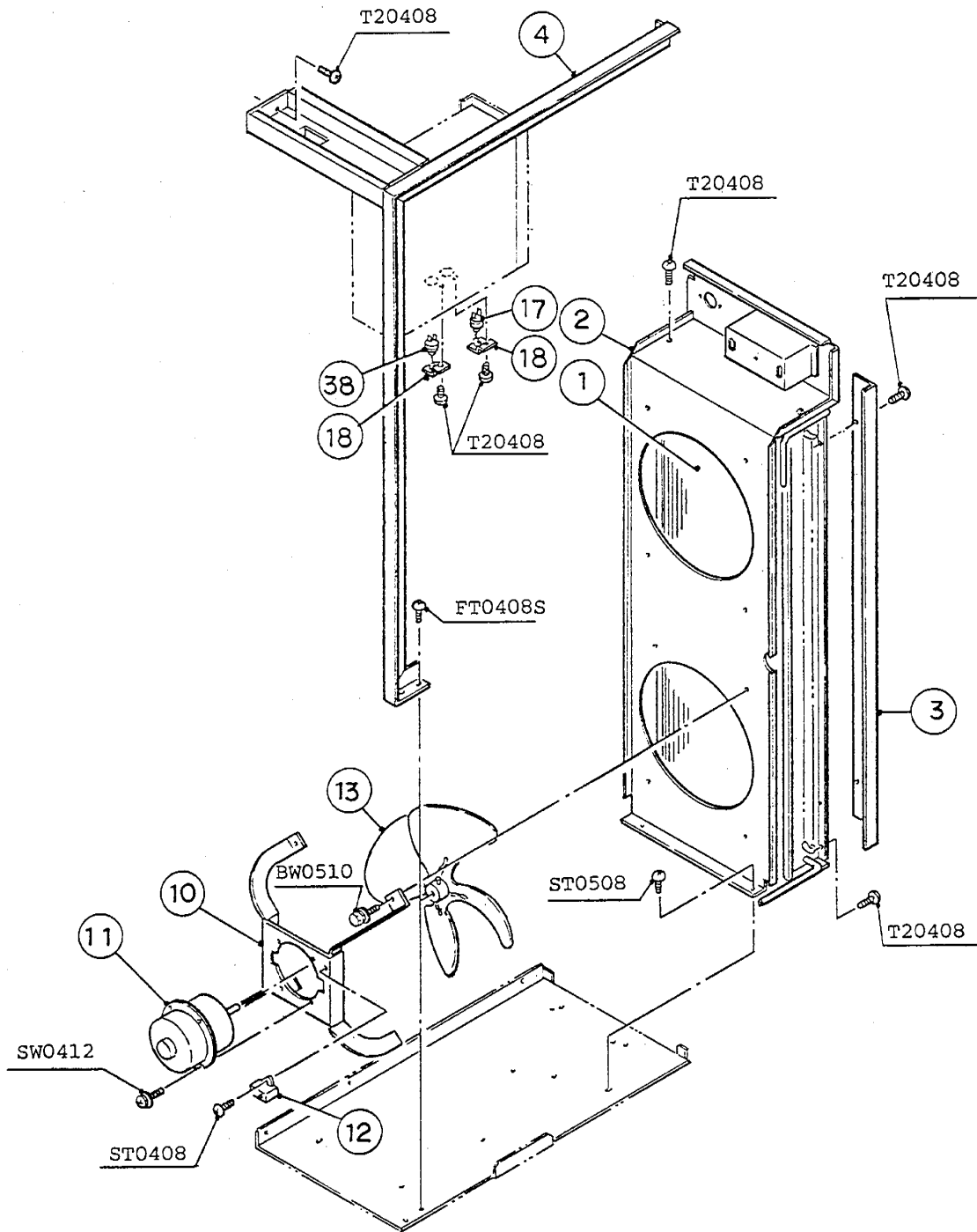
MODEL		TITLE						
KM-1200MRB		A. ICE CUBER ASSY						
INDEX NO.	DESCRIPTION	MATERIAL OR MODEL NUMBER	PART NUMBER	REQ'D NUMBER				
				A-1	B-0	B-1		
19	Louver (B)	-	103121-01	3	3	3		
20	Tapping Screw (Black)	Steel	433954-01	3	3	3		
21	Bushing	SR-30-1	420472-03	1	1	1		
22	-	-	-	-				
23	Bulb Holder	-	322815G01	1	1	x 1		
			322815G02			o 1		
24	Bulb Holder (A) Bulb Holder	S. S	433707-01	1	1	x 1		
			328919-01			o 1		
25	Bulb Holder (B) Spacer	ABS	433708-01	1	1	x 1		
			443545-01			o 2		
26	Bushing	EPDM	425307-01	1	1	1		
27	Top Panel) (323836A01)	212687-01	1	1	1		
28	Gasket		427014-04	3	3	3		
29	Clamp	No. 4253	427902-05			o 1		

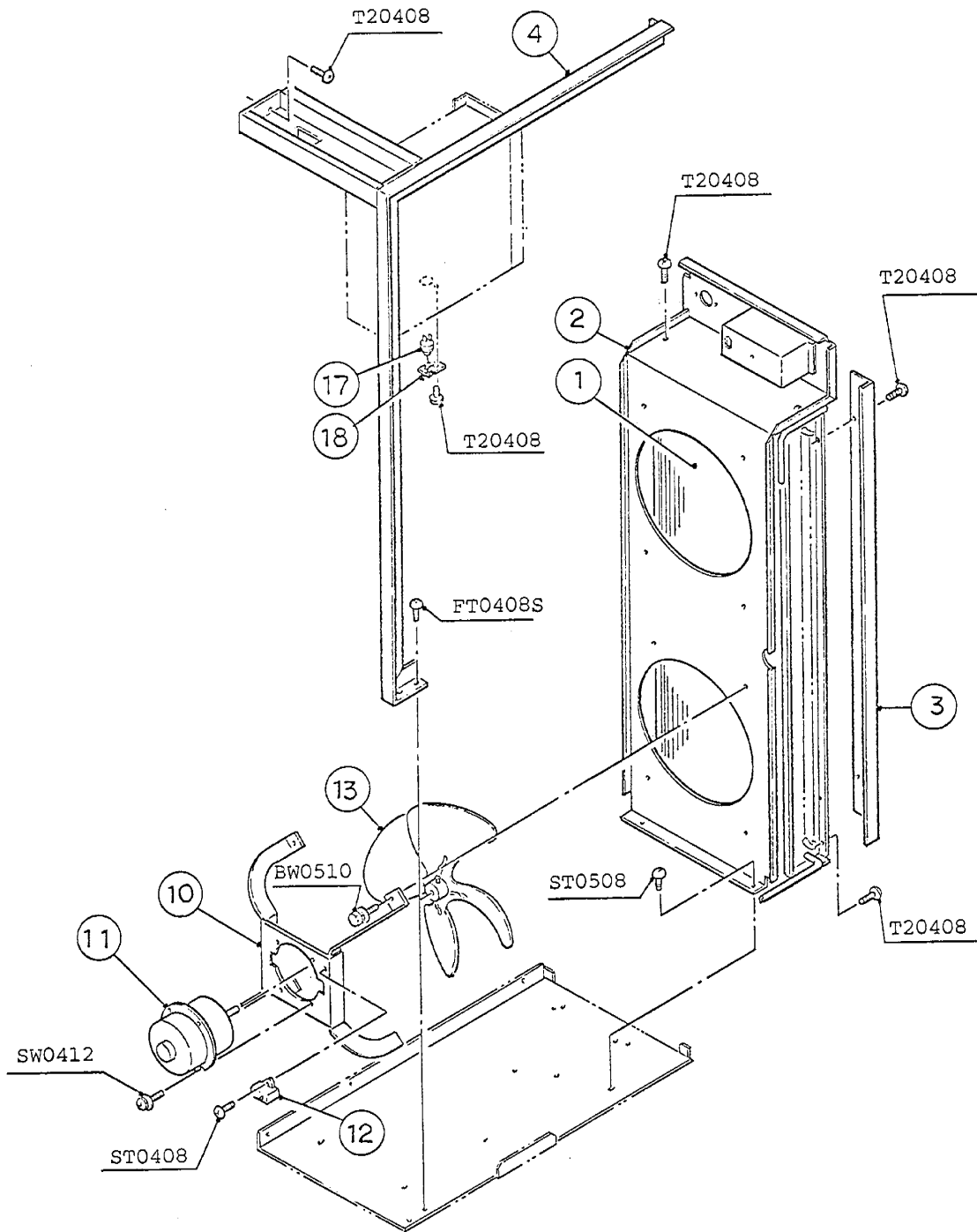
E

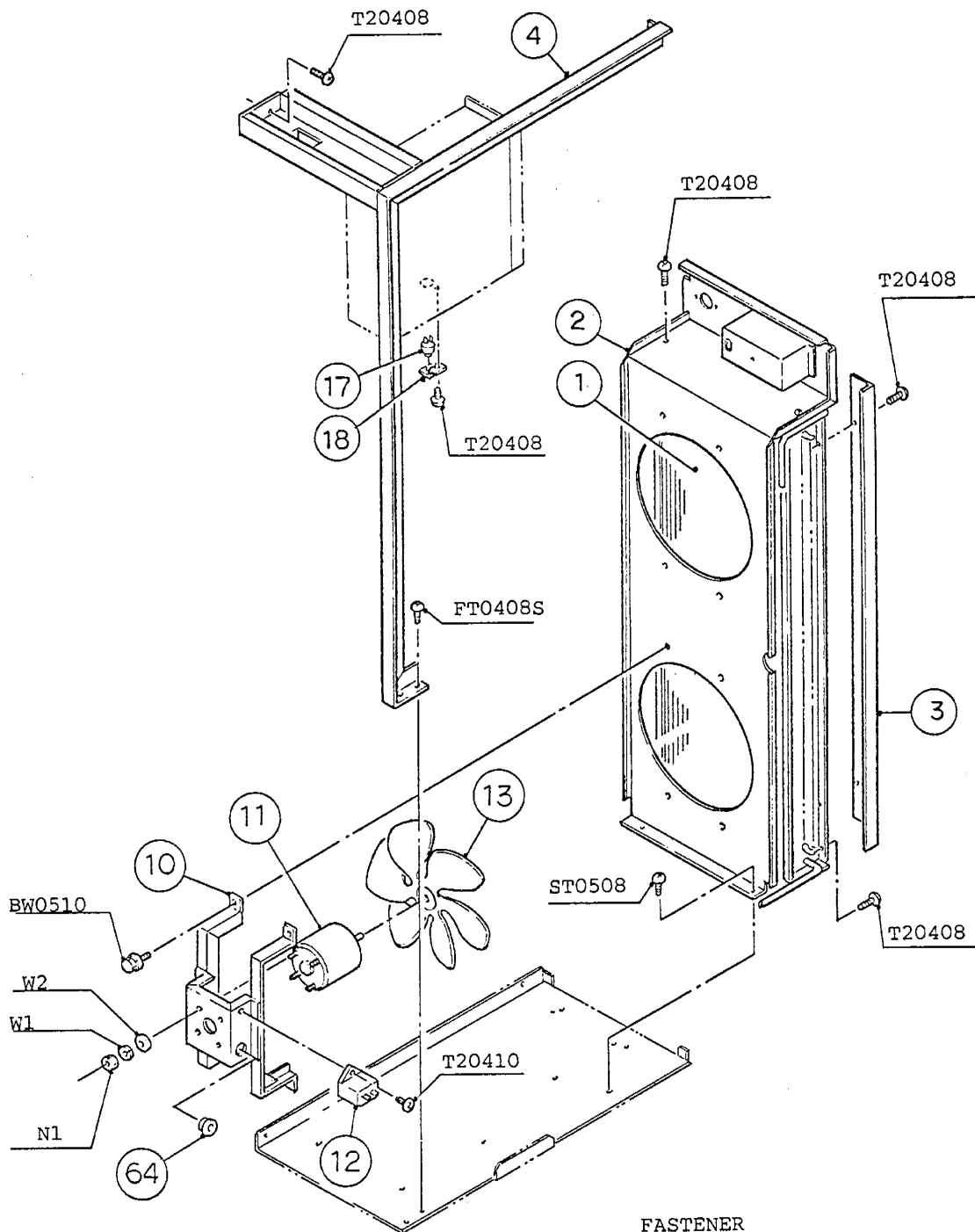












FASTENER

- N1 - Hex.Nut No.8-32UNC SUS
- W1 - Spirit Lock Washer
No.8-32UNC SUS
- W2 - Flat Washer
No.8-32UNC SUS

HA

MODEL		TITLE						
KM-1200MAB		B. REFRIGERATION CIRCUIT						
INDEX NO.	DESCRIPTION	MATERIAL OR MODEL NUMBER	PART NUMBER	REQ'D NUMBER				
				J-1	K-0	K-1	K-2	A-0
1	Condenser	-	212589-01	1	1	1	1	1
2	Shroud	G. S	212666G01	1	1	x 1		
			212666G02			o 1	-	
			212666G03				1	x 1
			212666G04					o 1
3	Barrier (B)	G. S	435056-01	1	1	1	1	1
4	Frame	G. S	212673G01	1	1	1	-	
			212673G02				1	1
5	Compressor	CRE4-0225PFV	434918-01	1	1	1	1	1
6	Flat Washer	-	434402-01	4	4	-		
7	Grommet	-	434922-01	4	4	4	4	4
8	Spacer	-	434921-01	4	4	4	4	4
9	Hex. Head Bolt	M8x45	432805-01	4	4	-		
	Bolt		437889-01			4	4	4
10	Fan Motor Bracket	G. S	322702G01	2	2	2	2	2
11	Fan Motor	EP-TZ56	2U0090-01	2	2	2	2	2
12	Capacitor	6 μ F, 220V	431928-01	2	2	2	2	2
13	Fan Blade	FW-25PHR	425729-01	2	2	2	2	2
14	Drier	KC-7071	427061-02	1	1	1	1	1
15	Exp. Valve Cover (A)	PE Foam	322722-01	1	1	1	1	1
16	Exp. Valve Cover (B)	PE Foam	322722-02	1	1	1	1	1
17	Pressure Sw.	ACB-2UB03	433441-03	1	1	-		
		ACB-2UB04	433441-05			1	1	1
18	Pressure Sw. Bracket	G. S	434938-01	2	2	1	1	1
19	Hot Gas Valve Bracket	G. S	435107G02	1	1	-		
			437997G01			1	1	1
20	Access Valve	TCJ-2F15-HD	417366-01	1	1	2	2	2
21	Thermistor	-	429006-03	1	1	1	1	1
22	Holder - Thermistor	Copper	427430-01	1	1	1	1	1
23	Insulation - Thermistor	PE Foam	427441-01	1	1	1	1	1
24	Strap - Thermistor	S. S	4A0035-01	1	1	1	1	1
25	Twin Bushing	-	435168G01	1	1	1	-	
	Insulated Rubber Tube		325979G01				1	1
26	Evaporator	-	104442G01	1	1	1	1	1

E

HA

MODEL		TITLE		REQ'D NUMBER			
KM-1200MAB		B. REFRIGERATION CIRCUIT		A-1	B-0	B-1	
INDEX NO.	DESCRIPTION	MATERIAL OR MODEL NUMBER	PART NUMBER	A-1	B-0	B-1	
1	Condenser	-	212589-01	1	1	1	
2	Shroud	G. S	212666G04	x 1			
			212666G05	o 1	1	1	
3	Barrier (B)	G. S	435056-01	1	1	1	
4	Frame	G. S	212673G02	1	1	1	
5	Compressor	CRE4-0225PFV	434918-01	1	1	1	
6	-	-	-	-			
7	Grommet	-	434922-01	4	4	4	
8	Spacer	-	434921-01	4	4	4	
9	Bolt		437889-01	4	4	4	
10	Fan Motor Bracket	G. S	322702G01	x 2			
			327382G01	o 2	2	2	
11	Fan Motor	EP-TZ56	2U0090-01	x 2			
		U90B1, 7190-1031	440911-01	o 2	2	2	
12	Capacitor	6 μ F, 220V	431928-01	x 2			
		5MFD, 240V	431928-04	o 2	2	x 2	
		5MFD, 250V	443192-02			o 2	
13	Fan Blade	FW-25PHR	425729-01	x 2			
		C202556	437749-01	o 2	2	x 2	
		C23603-01	443972-01			o 2	
14	Drier	KC-7071	427061-02	1	1	1	
15	Exp. Valve Cover (A)	PE Foam	322722-01	1	1	1	
16	Exp. Valve Cover (B)	PE Foam	322722-02	1	1	1	
17	Pressure Sw.	ACB-2UB04	433441-05	1	1	1	
18	Pressure Sw. Bracket	G. S	434938-01	1	1	1	
19	Hot Gas Valve Bracket	G. S	437997G01	1	1	1	
20	Access Valve	TCJ-2F15-HD	417366-01	2	2	2	
21	Thermistor	-	429006-03	1	1	1	
22	Holder - Thermistor	Copper	427430-01	1	1	1	
23	Insulation - Thermistor	PE Foam	427441-01	1	1	1	
24	Strap - Thermistor	S. S	4A0035-01	1	1	x 1	
25	Insulated Rubber Tube		325979G01	1	1	1	
26	Evaporator	-	104442G01	1	1	1	

E

HA

MODEL		TITLE			REQ'D NUMBER				
KM-1200MAB		B. REFRIGERATION CIRCUIT			J-1	K-0	K-1	K-2	A-0
INDEX NO.	DESCRIPTION	MATERIAL OR MODEL NUMBER	PART NUMBER	REQ'D NUMBER					
				J-1	K-0	K-1	K-2	A-0	
27	Heat Exchanger	Copper	213894G01	1	1	-			
			214270G01			1	-		
			215460G01				1	1	
28	Copper Tube (A) - High Side	Copper	212802G01	1	1	1	1	1	
29	Copper Tube (A) - Hot Gas	Copper	322681G01	1	1	1	1	1	
30	Copper Tube (A) - Low Side	Copper	435039G01	1	1	1	1	1	
31	Copper Tube (D11) - Low Side	Copper	435322-01	1	1	1	-		
			439375-01				1	1	
32	Copper Tube (N) - High Side	Copper	435103-01	1	1	1	1	1	
33	Copper Tube - Access Valve	Copper	434967-01	1	1	1	1	1	
34	Copper Tube (D21) - Low Side	Copper	322849-01	1	1	1	-		
			325988-01				1	1	
35	Exp. Valve	HCE-E25RHD-1	435293-01	1	1	1	1	1	
36	Tee	111R-221	436000-04	2	2	2	2	2	
37	Clamp	D11-S	435254-04	2	2	2	2	2	
38	Pressure Sw.	ACB-1UB06	433441-04	1	1	-			
39	Insulation Cover	PE Foam	435096-01	4	4	4	4	4	
40	Exp. Valve Cover (C)	PE Foam	435051-01	2	2	2	2	2	
41	Elbow	KC-7270	435292-01	2	2	2	2	2	
42	Tee	111-6	436000-03	1	1	1	1	1	
43	Elbow	KC-7220	434962-01	1	1	1	1	1	
44	Capillary Tube	-	7K2030100	1	1	-			
45	Hot Gas Valve	ADS-24HD-2	3U0082-02	1	1	-			
46	Strainer	-	430365-03	1	1	1	1	1	
47	Hot Gas Valve	ABS-25-1-HD-2	3U0033-01	2	2	2	2	2	
48	Distributor	MD001E023	435289-01	1	1	1	1	1	
49	Copper Tube (B) - Hot Gas	Copper	212995G01	1	1	-			
50	Suction Pressure Regulator	SPR-1905D-Q52	428634-01	1	1	-			
51	Insulation (A) - SPR	PE Foam	428592-01	1	1	-			
52	Insulation (B) - SPR	PE Foam	428592-02	1	1	-			
53	Reducer	Copper	420915-04	2	2	-			
54	Copper Tube (E) - Low Side	Copper	435030-03	1	1	-			
55	Tee	111R-662	436000-10	1	1	-			
56	Copper Tube (D) - Low Side	Copper	435027-01	1	1	-			
57	Copper Tube (F) - Low Side	Copper	436827-01	1	1	-			

E

HA

MODEL		TITLE		REQ'D NUMBER			
KM-1200MAB		B. REFRIGERATION CIRCUIT		A-1	B-0	B-1	
INDEX NO.	DESCRIPTION	MATERIAL OR MODEL NUMBER	PART NUMBER	A-1	B-0	B-1	
27	Heat Exchanger	Copper	215460G01	1	1	1	
28	Copper Tube (A) - High Side	Copper	212802G01	1	1	1	
29	Copper Tube (A) - Hot Gas	Copper	322681G01	1	1	1	
30	Copper Tube (A) - Low Side	Copper	435039G01	1	1	1	
31	Copper Tube (D11) - Low Side	Copper	439375-01	1	1	1	
32	Copper Tube (N) - High Side	Copper	435103-01	1	1	x 1	
33	Copper Tube - Access Valve	Copper	434967-01	1	1	1	
34	Copper Tube (D21) - Low Side	Copper	325988-01	1	1	1	
35	Exp. Valve	HCE-E25RHD-1	435293-01	1	1	1	
36	Tee	111R-221	436000-04	2	2	2	
37	Clamp	D11-S	435254-04	2	2	x 2	
38	-	-	-	-	-	-	
39	Insulation Cover	PE Foam	435096-01	4	4	4	
40	Exp. Valve Cover (C)	PE Foam	435051-01	2	2	2	
41	Elbow	KC-7270	435292-01	2	2	2	
42	Tee	111-6	436000-03	1	1	1	
43	Elbow	KC-7220	434962-01	1	1	1	
44	-	-	-	-	-	-	
45	-	-	-	-	-	-	
46	Strainer	-	430365-03	1	x 1		
			441569-03		o 1	1	
47	Hot Gas Valve	ABS-25-1-HD-2	3U0033-01	2	2	2	
48	Distributor	MD001E023	435289-01	1	1	1	
49	-	-	-	-	-	-	
50	-	-	-	-	-	-	
51	-	-	-	-	-	-	
52	-	-	-	-	-	-	
53	-	-	-	-	-	-	
54	-	-	-	-	-	-	
55	-	-	-	-	-	-	
56	-	-	-	-	-	-	
57	-	-	-	-	-	-	

E

HA

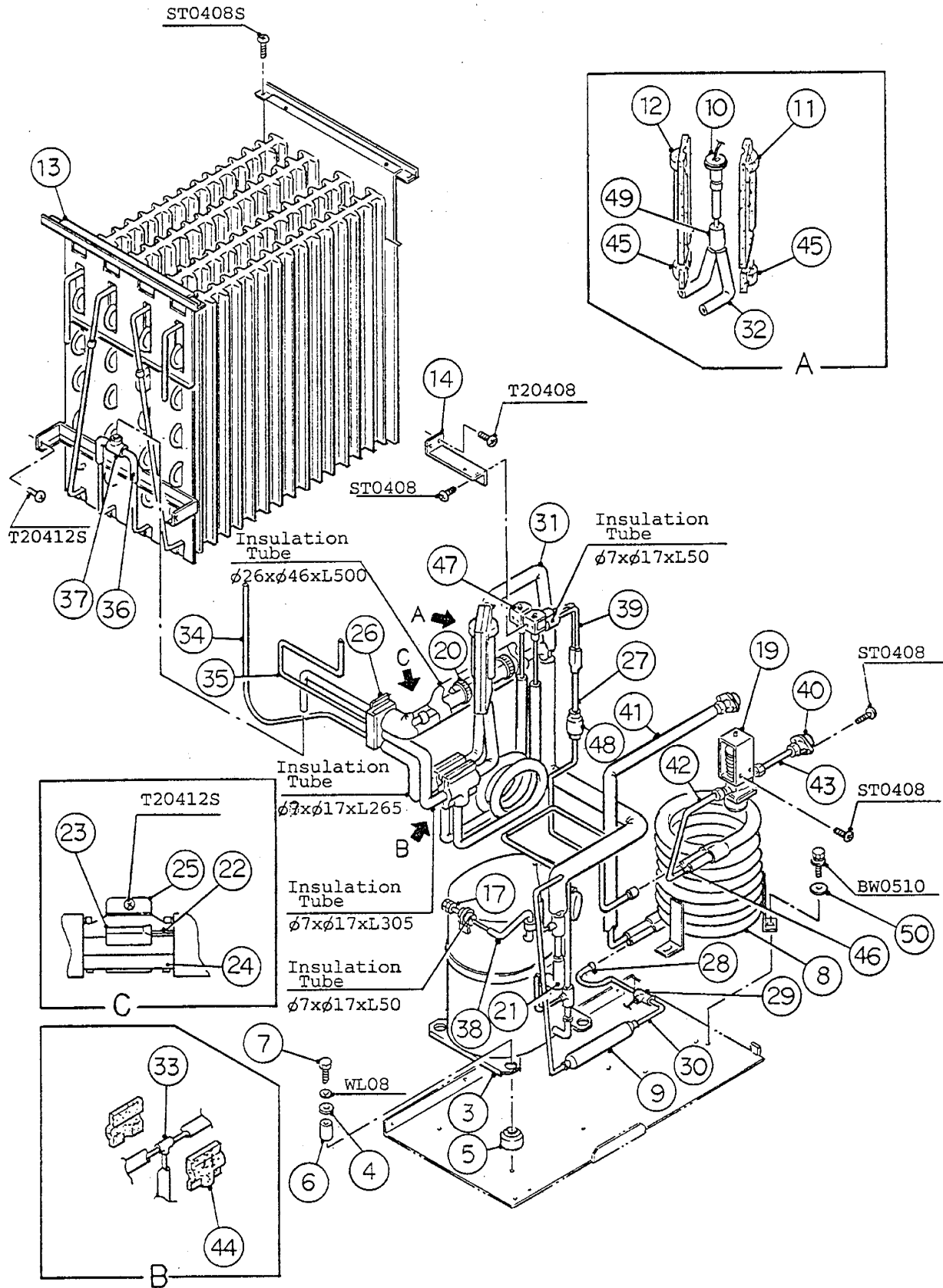
MODEL		TITLE							
KM-1200MAB		B. REFRIGERATION CIRCUIT							
INDEX NO.	DESCRIPTION	MATERIAL OR MODEL NUMBER	PART NUMBER	REQ'D NUMBER					
				J-1	K-0	K-1	K-2	A-0	
58	Copper Tube (E1) - High Side	Copper	324502-01			1	1	1	
59	Hot Gas Valve	ABS-25-1-HD-2	3U0033-01			1	-		
60	Rubber Flange	EPDM	439364-01				1	1	
61	Valve Body	70	440352-01				1	1	
62	Coil Valve	ABS-25-HD-2	440353-01				1	1	
63	Bolt	-	440353F01				1	1	

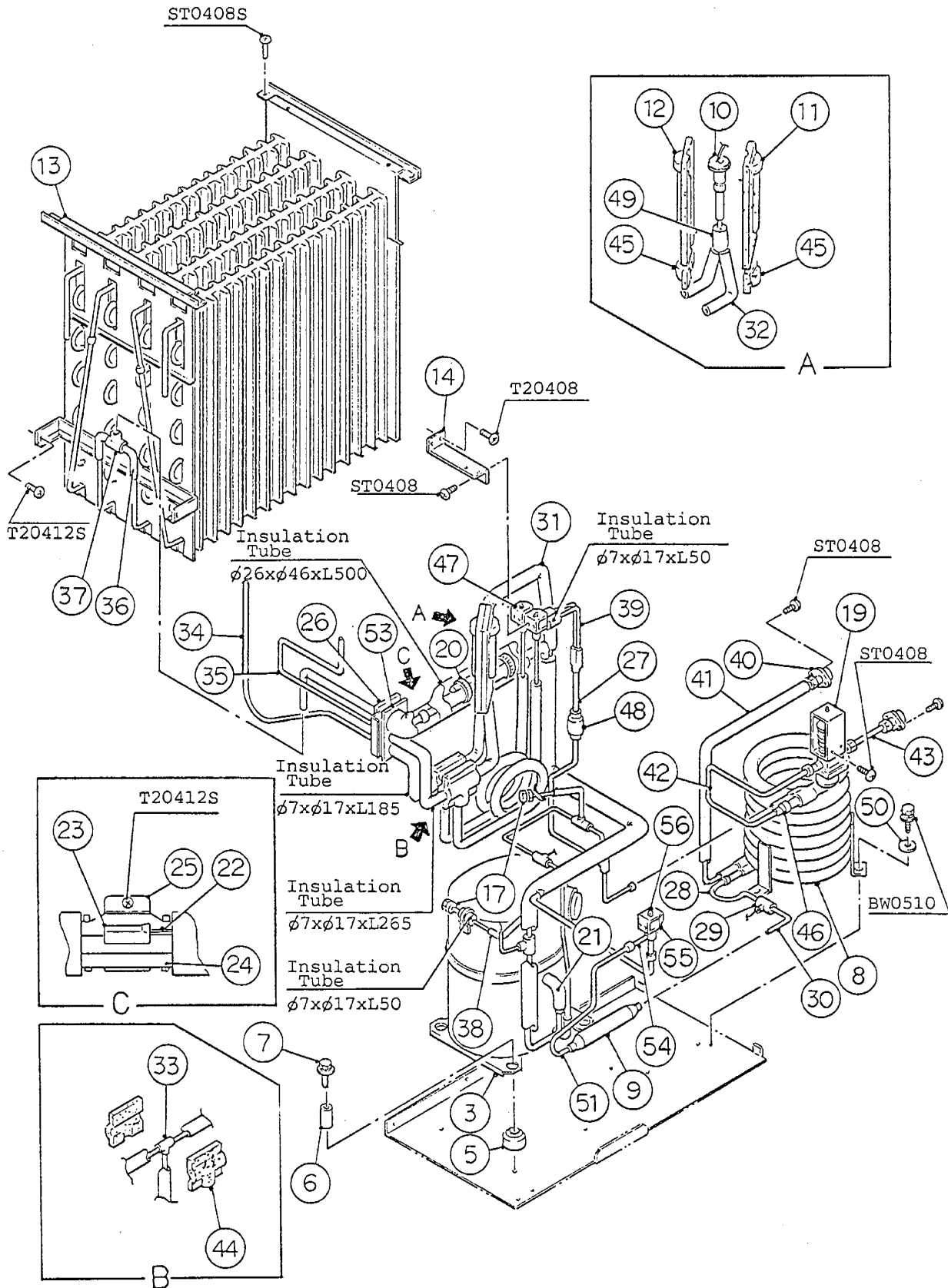
E

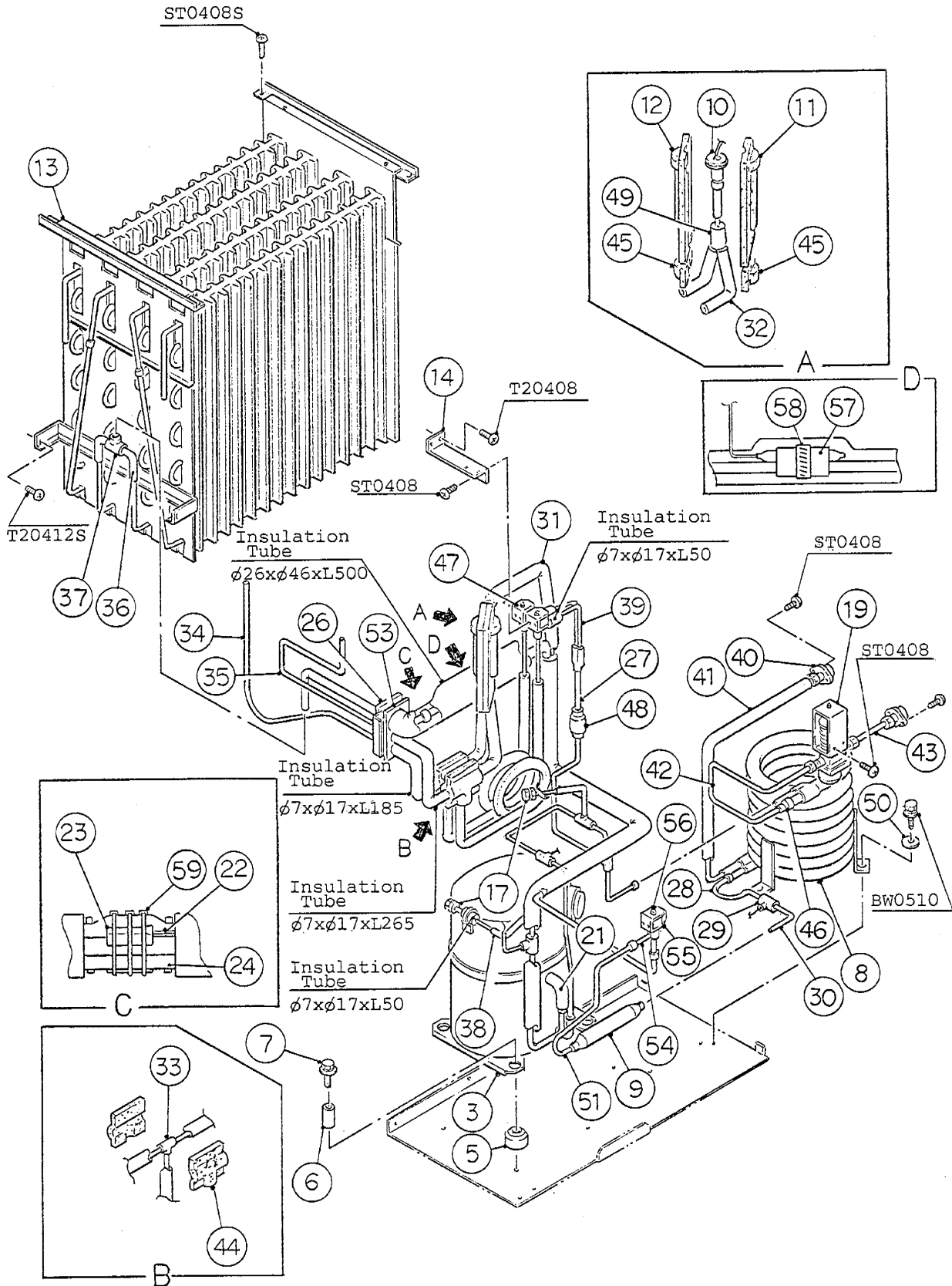
HA

MODEL		TITLE		REQ'D NUMBER			
KM-1200MAB		B. REFRIGERATION CIRCUIT		A-1	B-0	B-1	
INDEX NO.	DESCRIPTION	MATERIAL OR MODEL NUMBER	PART NUMBER	A-1	B-0	B-1	
58	Copper Tube (E1) - High Side	Copper	324502-01	1	1	x 1	
			3A0149-01			o 1	
59	-	-	-	-			
60	Rubber Flange	EPDM	439364-01	1	1	1	
61	Valve Body	70	440352-01	1	1	1	
62	Coil Valve	ABS-25-HD-2	440353-01	1	1	1	
63	Bolt	-	440353F01	1	1	1	
64	Bushing	SB-750-10	420470-05	o 2	2	x 2	
		SB-1093-15	420470-03			o 2	
65	Holder / Exp. Valve - 1/2		3A0112-01			o 1	
66	Clamp		443461-01			o 1	
67	Cable Tie	CV-200	7920-0010			o 3	

E



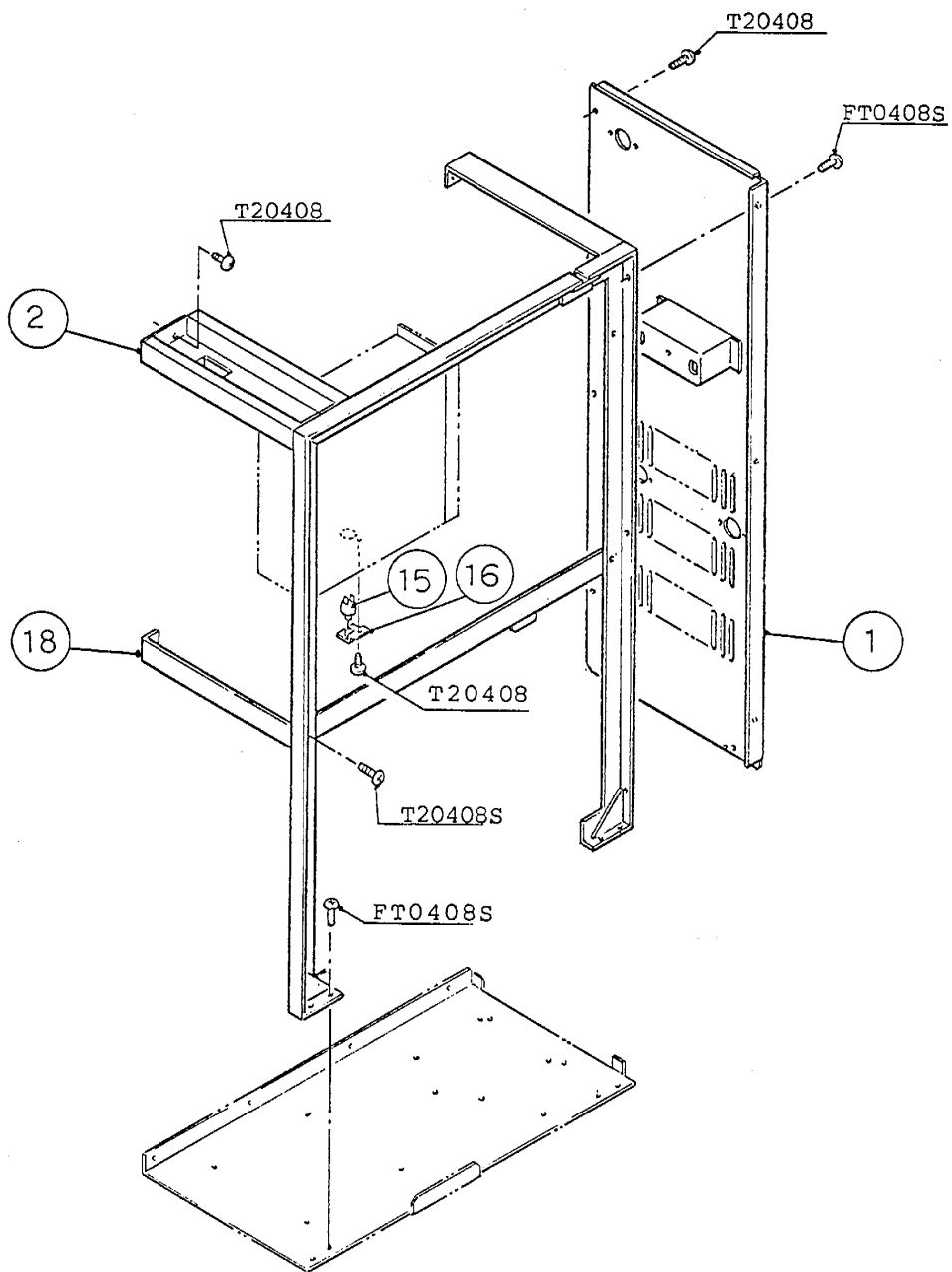




HA
KM-1200MWB

B. REFRIGERATION CIRCUIT (2/2)

(B-1) (A-1) (A-0)
(B-0) (K-2) (K-1)
(K-0) (J-1)



HA

MODEL		TITLE						
KM-1200MWB		B. REFRIGERATION CIRCUIT						
INDEX NO.	DESCRIPTION	MATERIAL OR MODEL NUMBER	PART NUMBER	REQ'D NUMBER				
				J-1	K-0	K-1	K-2	A-0
1	Rear Panel	G. S	212805G01	1	1	x 1		
			212805G02			o 1	-	
			212805G03				1	x 1
			212805G04					o 1
2	Frame	G. S	212681G01	1	1	1	-	
			212681G02				1	1
3	Compressor	CRE4-0225PFV	434918-01	1	1	1	1	1
4	Flat Washer	-	434402-01	4	4	-		
5	Grommet	-	434922-01	4	4	4	4	4
6	Spacer	-	434921-01	4	4	4	4	4
7	Hex. Head Bolt Bolt	M8x45	432805-01	4	4	-		
			437889-01			4	4	4
8	Condenser - Water-cooled	H-2	435097-01	1	1	1	1	1
9	Drier	KC-7071	427061-02	1	1	1	1	1
10	Exp. Valve	HCE-E25RHD-1	435293-01	1	1	1	1	1
11	Exp. Valve Cover (A)	PE Foam	322722-01	1	1	1	1	1
12	Exp. Valve Cover (B)	PE Foam	322722-02	1	1	1	1	1
13	Evaporator	-	104442G01	1	1	1	1	1
14	Hot Gas Valve Bracket	G. S	435107G01	1	1	-		
			437997G01			1	1	1
15	Pressure Sw.	ACB-2UB03	433441-03	1	1	-		
		ACB-2UB02	433441-01			1	1	1
16	Pressure Sw. Bracket	G. S	434938-01	1	1	1	1	1
17	Access Valve	TCJ-2F15-HD	417366-01	1	1	2	2	2
18	Frame (F)	G. S	322696G01	1	1	1	1	1
19	Water Regulator	WV-4RHD-1	433996-01	1	1	1	1	1
20	Clamp	D11-S	435254-04	2	2	2	2	2
21	Elbow	KC-7220	434962-02	1	1	1	1	1
22	Thermistor	-	429006-03	1	1	1	1	1
23	Holder - Thermistor	Copper	427430-01	1	1	1	1	1
24	Insulation - Thermistor	PE Foam	427441-01	1	1	1	1	1
25	Strap - Thermistor	S. S	427431-01	x 1				
			4A0035-01	o 1	1	1	1	1
26	Twin Bushing Insulated Rubber Tube	-	435168G01	1	1	1	-	
			325979G01				1	1

E

HA

MODEL		TITLE		REQ'D NUMBER			
KM-1200MWB		B. REFRIGERATION CIRCUIT		A-1	B-0	B-1	
INDEX NO.	DESCRIPTION	MATERIAL OR MODEL NUMBER	PART NUMBER				
1	Rear Panel	G. S	212805G04	1	1	1	
2	Frame	G. S	212681G02	1	1	1	
3	Compressor	CRE4-0225PFV	434918-01	1	1	1	
4	-	-	-	-			
5	Grommet	-	434922-01	4	4	4	
6	Spacer	-	434921-01	4	4	4	
7	Bolt		437889-01	4	4	4	
8	Condenser - Water-cooled	H-2	435097-01	1	1	1	
9	Drier	KC-7071	427061-02	1	1	1	
10	Exp. Valve	HCE-E25RHD-1	435293-01	1	1	1	
11	Exp. Valve Cover (A)	PE Foam	322722-01	1	1	1	
12	Exp. Valve Cover (B)	PE Foam	322722-02	1	1	1	
13	Evaporator	-	104442G01	1	1	1	
14	Hot Gas Valve Bracket	G. S	437997G01	1	1	1	
15	Pressure Sw.	ACB-2UB02	433441-01	1	1	1	
16	Pressure Sw. Bracket	G. S	434938-01	1	1	1	
17	Access Valve	TCJ-2F15-HD	417366-01	2	2	2	
18	Frame (F)	G. S	322696G01	1	1	1	
19	Water Regulator	WV-4RHD-1	433996-01	1	1	1	
20	Clamp	D11-S	435254-04	2	2	x 2	
21	Elbow	KC-7220	434962-02	1	1	1	
22	Thermistor	-	429006-03	1	1	1	
23	Holder - Thermistor	Copper	427430-01	1	1	1	
24	Insulation - Thermistor	PE Foam	427441-01	1	1	1	
25	Strap - Thermistor	S. S	4A0035-01	1	1	x 1	
26	Insulated Rubber Tube		325979G01	1	1	1	

E

HA

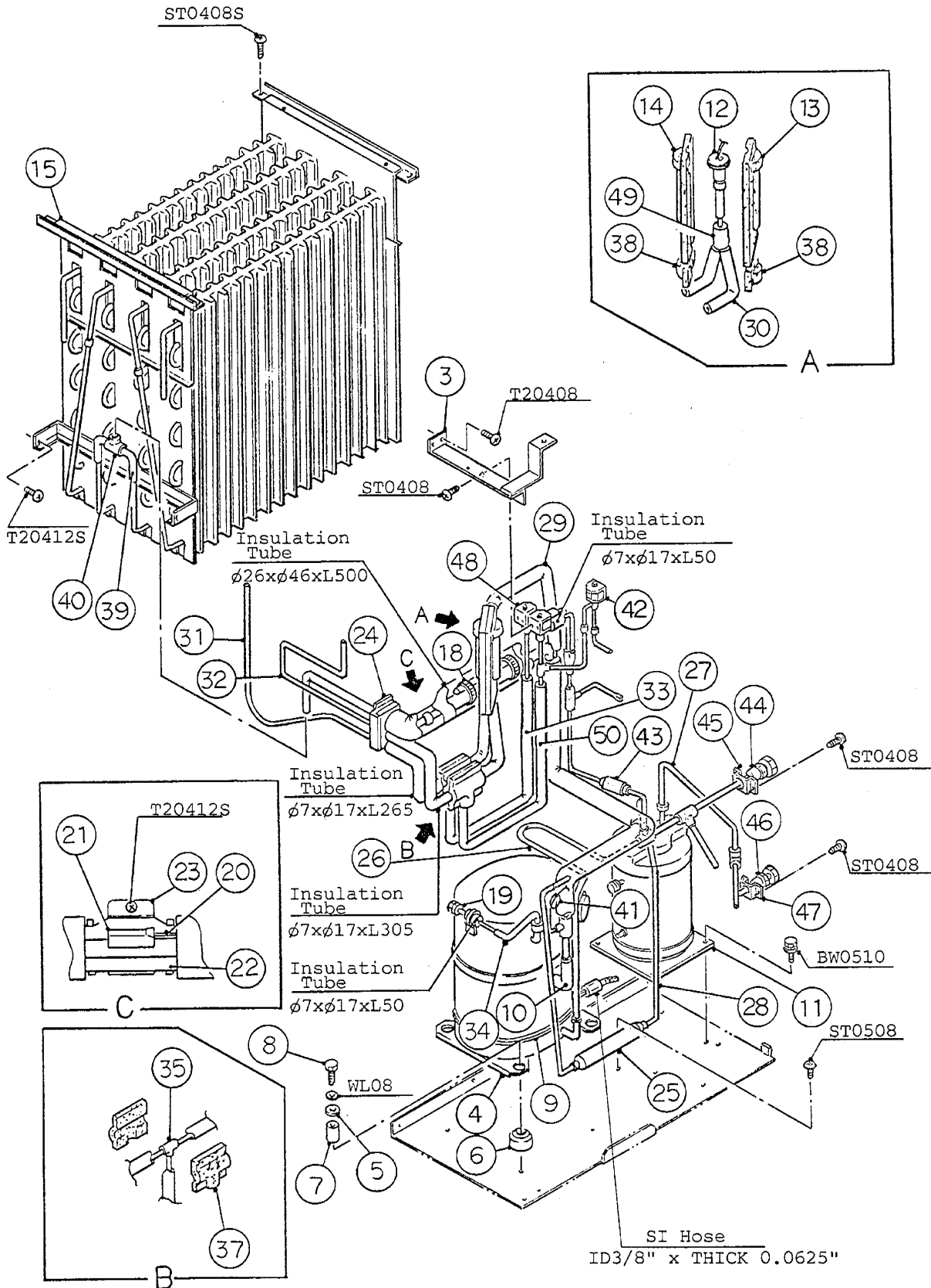
MODEL		TITLE			REQ'D NUMBER				
KM-1200MWB		B. REFRIGERATION CIRCUIT			J-1	K-0	K-1	K-2	A-0
INDEX NO.	DESCRIPTION	MATERIAL OR MODEL NUMBER	PART NUMBER	J-1	K-0	K-1	K-2	A-0	
27	Copper Tube (D) - High Side	Copper	322680G01	1	1	1	1	1	
28	Copper Tube (G) - High Side	Copper	435085-01	1	1	1	1	1	
29	Tee	Copper	431618-01	1	1	1	1	1	
30	Copper Tube (H) - High Side	Copper	435098-01	1	1	1	1	1	
31	Heat Exchanger	Copper	212804G01	1	1	-			
			214270G01			1	-		
			215460G01				1	1	
32	Copper Tube (A) - Low Side	Copper	433039G01	1	1	1	1	1	
33	Tee	111-2	436000-01	2	2	2	2	2	
34	Copper Tube (D11) - Low Side	Copper	435322-01	1	1	-			
			439375-01			1	1	1	
35	Copper Tube (D21) - Low Side	Copper	322849-01	1	1	-			
			325988-01			1	1	1	
36	Elbow	KC-7270	435292-01	2	2	2	2	2	
37	Tee	111-6	436000-03	1	1	1	1	1	
38	Copper Tube - Access Valve	Copper	434967-01	1	1	1	1	1	
39	Copper Tube - Hot Gas	Copper	322823G01	2	2	2	2	2	
40	Fitting	Brass	319972-01	2	2	2	2	2	
41	Copper Tube (P)	Copper	322717G01	1	1	1	1	1	
42	Copper Tube (J)	Copper	435099-01	1	1	-			
			437967-01			1	1	1	
43	Copper Tube (M)	Copper	435101G01	1	1	1	1	1	
44	Insulation Cover	PE Foam	435096-01	4	4	4	4	4	
45	Exp. Valve Cover (C)	PE Foam	435051-01	2	2	2	2	2	
46	Reducer	101R-86	436001-01	2	2	2	2	2	
47	Hot Gas Valve	ABS-25-1-HD-2	3U0033-01	2	2	2	2	2	
48	Strainer	-	430365-03	1	1	1	1	1	
49	Distributor	MD001E023	435289-01	1	1	1	1	1	
50	Plain Washer	S. S	434892-01	3	3	3	3	3	
51	Copper Tube (E1) - High Side	Copper	324502-01			1	1	1	
52	Hot Gas Valve	ABS-25-1-HD-2	3U0033-01			1	-		
53	Rubber Flange	EPDM	439364-01				1	1	
54	Valve Body	70	440352-01				1	1	
55	Coil Valve	ABS-25-HD-2	440353-01				1	1	
56	Bolt	-	440353F01				1	1	

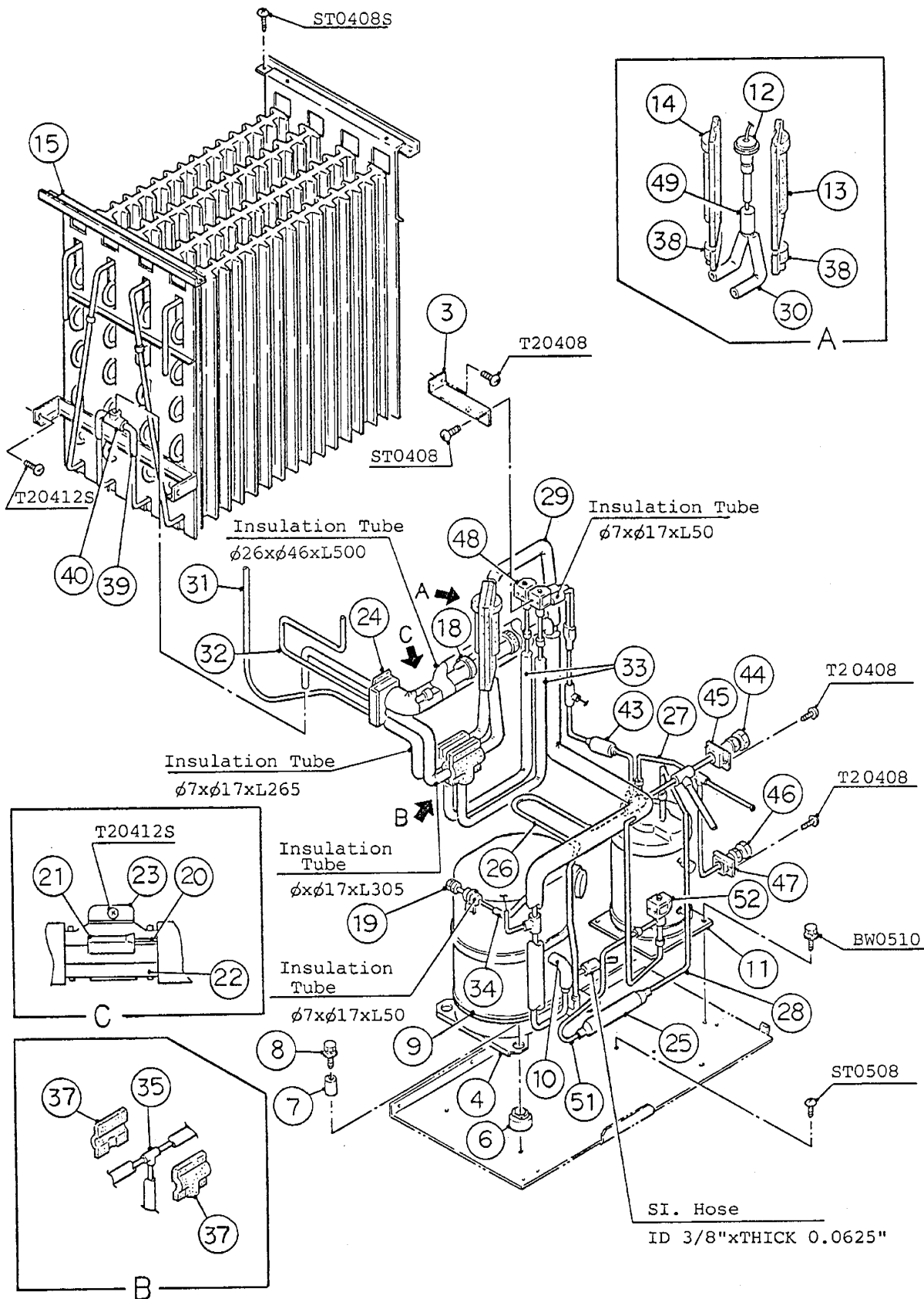
E

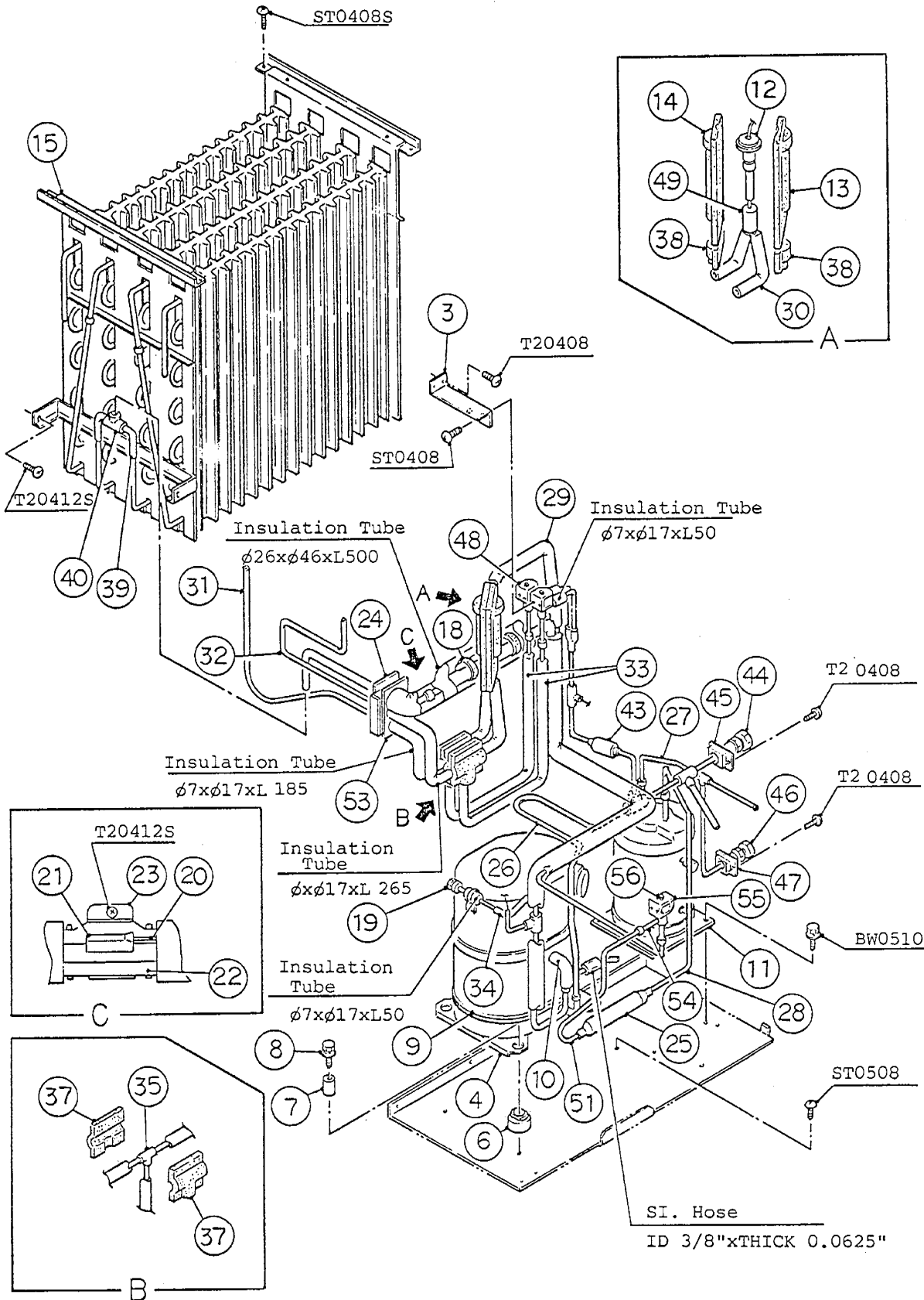
HA

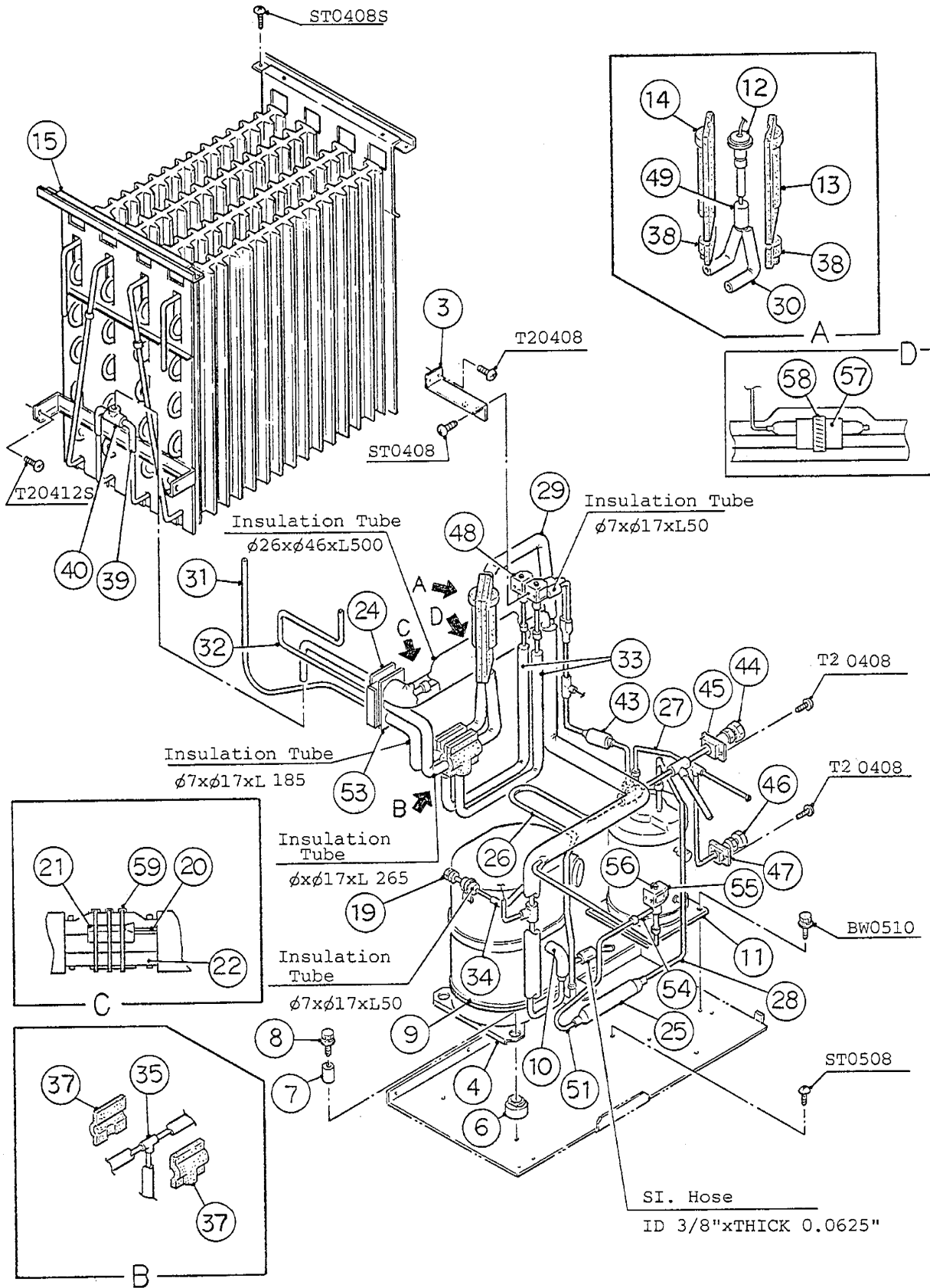
MODEL		TITLE		REQ'D NUMBER			
KM-1200MWB		B. REFRIGERATION CIRCUIT		A-1	B-0	B-1	
INDEX NO.	DESCRIPTION	MATERIAL OR MODEL NUMBER	PART NUMBER	A-1	B-0	B-1	
27	Copper Tube (D) - High Side	Copper	322680G01	1	1	1	
28	Copper Tube (G) - High Side	Copper	435085-01	1	1	1	
29	Tee	Copper	431618-01	1	1	1	
30	Copper Tube (H) - High Side	Copper	435098-01	1	1	1	
31	Heat Exchanger	Copper	215460G01	1	1	1	
32	Copper Tube (A) - Low Side	Copper	433039G01	1	1	1	
33	Tee	111-2	436000-01	2	2	2	
34	Copper Tube (D11) - Low Side	Copper	439375-01	1	1	1	
35	Copper Tube (D21) - Low Side	Copper	325988-01	1	1	1	
36	Elbow	KC-7270	435292-01	2	2	2	
37	Tee	111-6	436000-03	1	1	1	
38	Copper Tube - Access Valve	Copper	434967-01	1	1	1	
39	Copper Tube - Hot Gas	Copper	322823G01	2	2	2	
40	Fitting	Brass	319972-01	2	2	2	
41	Copper Tube (P)	Copper	322717G01	1	1	1	
42	Copper Tube (J)	Copper	437967-01	1	1	1	
43	Copper Tube (M)	Copper	435101G01	1	1	1	
44	Insulation Cover	PE Foam	435096-01	4	4	4	
45	Exp. Valve Cover (C)	PE Foam	435051-01	2	2	2	
46	Reducer	101R-86	436001-01	2	2	2	
47	Hot Gas Valve	ABS-25-1-HD-2	3U0033-01	2	2	2	
48	Strainer	-	430365-03	1	x 1		
			441569-03		o 1	1	
49	Distributor	MD001E023	435289-01	1	1	1	
50	Plain Washer	S. S	434892-01	3	3	3	
51	Copper Tube (E1) - High Side	Copper	324502-01	1	1	1	
52	-	-	-	-			
53	Rubber Flange	EPDM	439364-01	1	1	1	
54	Valve Body	70	440352-01	1	1	1	
55	Coil Valve	ABS-25-HD-2	440353-01	1	1	1	
56	Bolt	-	440353F01	1	1	1	
57	Holder / Exp. Valve - 1/2		3A0112-01			o 1	
58	Clamp		443461-01			o 1	
59	Cable Tie	CV-200	7920-0010			o 3	

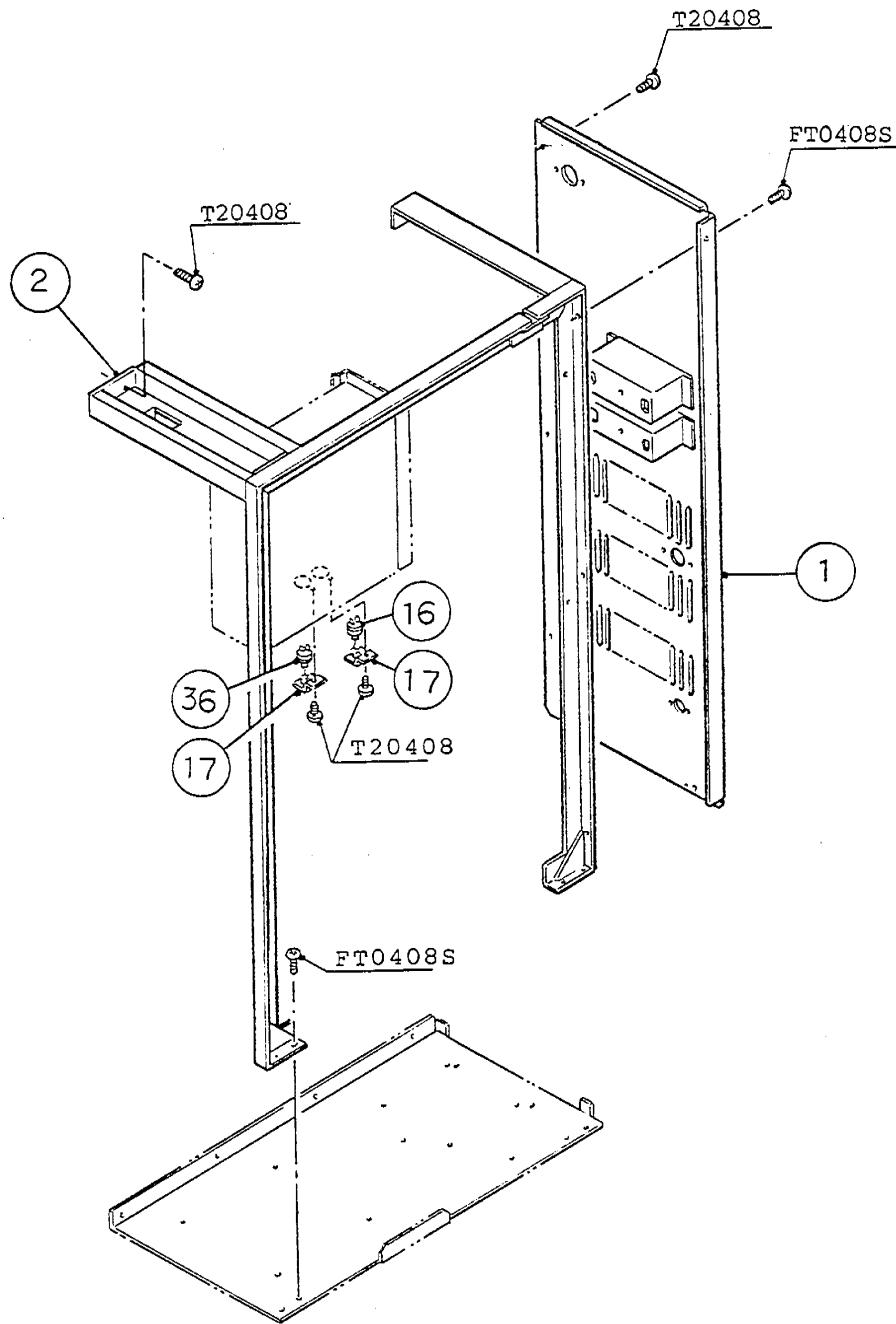
E

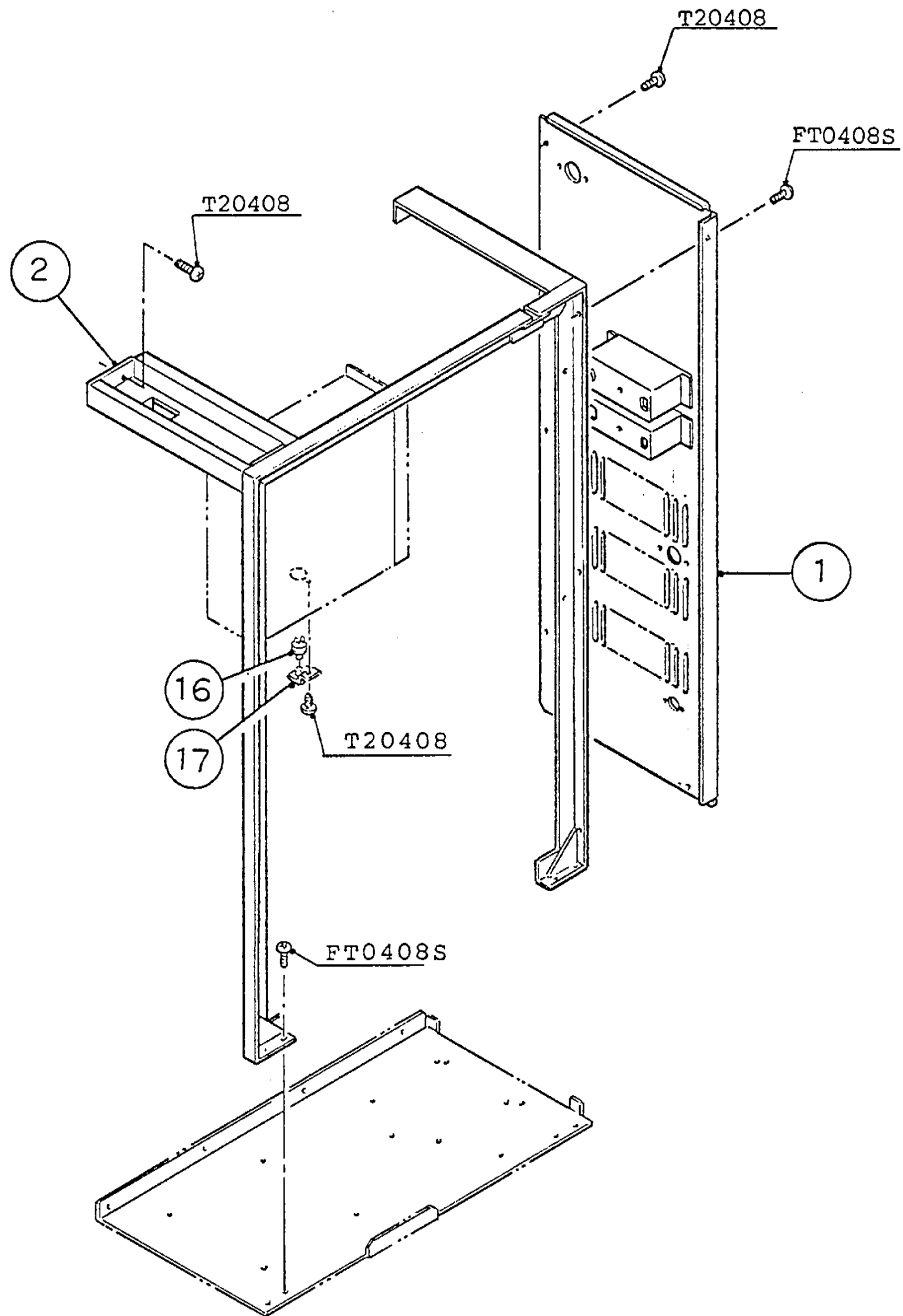












HA

MODEL		TITLE						
KM-1200MRB		B. REFRIGERATION CIRCUIT						
INDEX NO.	DESCRIPTION	MATERIAL OR MODEL NUMBER	PART NUMBER	REQ'D NUMBER				
				J-1	K-0	K-1	K-2	A-0
1	Rear Panel	G. S	212807G01	1	1	x 1		
			212807G02			o 1	-	
			212807G03				1	x 1
			212807G04					o 1
2	Frame	G. S	212681G01	1	1	-		
			212681G02			1	1	1
3	Hot Gas Valve Bracket	G. S	435107G02	1	1	-		
			437997G01			1	1	1
4	Compressor	CRE4-0225PFV	434918-01	1	1	1	1	1
5	Flat Washer	-	434402-01	4	4	-		
6	Grommet	-	434922-01	4	4	4	4	4
7	Spacer	-	434921-01	4	4	4	4	4
8	Hex. Head Bolt Bolt	M8x45	432805-01	4	4	-		
			437889-01			4	4	4
9	Crankcase Heater	CH101-2	434924-01	1	1	1	1	1
10	Elbow	KC-7220	434962-01	1	1	1	1	1
11	Receiver	PR. MN	434957-01	1	1	-		
			437652-01			1	1	1
12	Exp. Valve	HCE-E25RHD-1	435293-01	1	1	1	1	1
13	Exp. Valve Cover (A)	PE Foam	322722-01	1	1	1	1	1
14	Exp. Valve Cover (B)	PE Foam	322722-02	1	1	1	1	1
15	Evaporator	-	104442G01	1	1	1	1	1
16	Pressure Sw.	ACB-2UB03	433441-03	1	1	-		
			433441-05			1	1	1
17	Pressure Sw. Bracket	G. S	434938-01	2	2	1	1	1
18	Clamp	D11-S	435254-04	2	2	2	2	2
19	Access Valve	TCJ-2F15-HD	417366-01	1	1	1	1	1
20	Thermistor	-	429006-03	1	1	1	1	1
21	Holder - Thermistor	Copper	427430-01	1	1	1	1	1
22	Insulation - Thermistor	PE Foam	427441-01	1	1	1	1	1
23	Strap - Thermistor	S. S	427431-01	x 1				
			4A0035-01	o 1	1	1	1	1
24	Twin Bushing Insulated Rubber Tube	-	435168G01	1	1	1	-	
			325979G01				1	1
25	Drier	KC-7071	427061-02	1	1	1	1	1

E

HA

MODEL		TITLE		REQ'D NUMBER			
KM-1200MRB		B. REFRIGERATION CIRCUIT		A-1	B-0	B-1	
INDEX NO.	DESCRIPTION	MATERIAL OR MODEL NUMBER	PART NUMBER	A-1	B-0	B-1	
1	Rear Panel	G. S	212807G04	1	1	1	
2	Frame	G. S	212681G02	1	1	1	
3	Hot Gas Valve Bracket	G. S	437997G01	1	1	1	
4	Compressor	CRE4-0225PFV	434918-01	1	1	1	
5	-	-	-	-			
6	Grommet	-	434922-01	4	4	4	
7	Spacer	-	434921-01	4	4	4	
8	Bolt		437889-01	4	4	4	
9	Crankcase Heater	CH101-2	434924-01	1	1	1	
10	Elbow	KC-7220	434962-01	1	1	1	
11	Receiver	PR. MN	437652-01	1	1	1	
12	Exp. Valve	HCE-E25RHD-1	435293-01	1	1	1	
13	Exp. Valve Cover (A)	PE Foam	322722-01	1	1	1	
14	Exp. Valve Cover (B)	PE Foam	322722-02	1	1	1	
15	Evaporator	-	104442G01	1	1	1	
16	Pressure Sw.	ACB-2UB04	433441-05	1	1	1	
17	Pressure Sw. Bracket	G. S	434938-01	1	1	1	
18	Clamp	D11-S	435254-04	2	2	x 2	
19	Access Valve	TCJ-2F15-HD	417366-01	1	1	1	
20	Thermistor	-	429006-03	1	1	1	
21	Holder - Thermistor	Copper	427430-01	1	1	1	
22	Insulation - Thermistor	PE Foam	427441-01	1	1	1	
23	Strap - Thermistor	S. S	4A0035-01	1	1	x 1	
24	Insulated Rubber Tube		325979G01	1	1	1	
25	Drier	KC-7071	427061-02	1	1	1	

E

HA

MODEL		TITLE			REQ'D NUMBER				
KM-1200MRB		B. REFRIGERATION CIRCUIT			J-1	K-0	K-1	K-2	A-0
INDEX NO.	DESCRIPTION	MATERIAL OR MODEL NUMBER	PART NUMBER	J-1	K-0	K-1	K-2	A-0	
26	Copper Tube (B) - High Side	Copper	212803G01	1	1	1	1	1	
27	Copper Tube (C) - High Side	Copper	322679G01	1	1	1	1	1	
28	Copper Tube (M) - High Side	Copper	322848-01	1	1	1	1	1	
29	Heat Exchanger	Copper	212804G01	1	1	-			
			214270G01			1	-		
			215460G01				1	1	
30	Copper Tube (A) - Low Side	Copper	435039G01	1	1	1	1	1	
31	Copper Tube (D11) - Low Side	Copper	435322-01	1	1	1	-		
			439375-01				1	1	
32	Copper Tube (D21) - Low Side	Copper	322849-01	1	1	1	-		
			325988-01				1	1	
34	Copper Tube - Access Valve	Copper	434967-01	1	1	1	1	1	
35	Tee	111R-221	436000-04	2	2	2	2	2	
36	Pressure Sw.	ACB-1UB06	433441-04	1	1	-			
37	Insulation Cover	PE Foam	435096-01	4	4	4	4	4	
38	Exp. Valve Cover (C)	PE Foam	435051-01	2	2	2	2	2	
39	Elbow	KC-7270	435292-01	2	2	2	2	2	
40	Tee	111-6	436000-03	1	1	1	1	1	
41	Capillary Tube	Copper	7K2030100	1	1	-			
42	Hot Gas Valve	ABS-24HD-2	3U0082-02	1	1	-			
43	Strainer	-	430365-03	1	1	1	1	1	
44	Coupling (MA)	5782-8-10	434072-01	1	1	1	1	1	
45	Tube Holder	G. S	434104-01	1	1	x 1			
	Tube Holder - L		438245-01			o 1	1	1	
46	Coupling (MA)	5782-6-6	426554-01	1	1	1	1	1	
47	Bracket - Tube	G. S	425507-01	1	1	x 1			
	Tube Holder - S		438246-01			o 1	1	1	
48	Hot Gas Valve	ABS-25-1-HD-2	3U0033-01	2	2	2	2	2	
49	Distributor	MD001E023	435289-01	1	1	1	1	1	
50	Copper Tube (B)- Hot Gas	Copper	212995G01	1	1	-			
51	Copper Tube (E1) - High Side	Copper	324502-01			1	1	1	
52	Hot Gas Valve	ABS-25-1-HD-2	3U0033-01			1	-		
53	Rubber Flange	EPDM	439364-01			1	1	1	
54	Valve Body	70	440352-01			1	1	1	
55	Coil Valve	ABS-25-HD-2	440353-01			1	1	1	

E

HA

MODEL		TITLE		REQ'D NUMBER			
KM-1200MRB		B. REFRIGERATION CIRCUIT		A-1	B-0	B-1	
INDEX NO.	DESCRIPTION	MATERIAL OR MODEL NUMBER	PART NUMBER	A-1	B-0	B-1	
26	Copper Tube (B) - High Side	Copper	212803G01	1	1	1	
27	Copper Tube (C) - High Side	Copper	322679G01	1	1	1	
28	Copper Tube (M) - High Side	Copper	322848-01	1	1	1	
29	Heat Exchanger	Copper	215460G01	1	1	1	
30	Copper Tube (A) - Low Side	Copper	435039G01	1	1	1	
31	Copper Tube (D11) - Low Side	Copper	439375-01	1	1	1	
32	Copper Tube (D21) - Low Side	Copper	325988-01	1	1	1	
33	Copper Tube (A) - Hot Gas	Copper	322681G01	1	1	1	
34	Copper Tube - Access Valve	Copper	434967-01	1	1	1	
35	Tee	111R-221	436000-04	2	2	2	
36	-	-	-	-	-	-	
37	Insulation Cover	PE Foam	435096-01	4	4	4	
38	Exp. Valve Cover (C)	PE Foam	435051-01	2	2	2	
39	Elbow	KC-7270	435292-01	2	2	2	
40	Tee	111-6	436000-03	1	1	1	
41	-	-	-	-	-	-	
42	-	-	-	-	-	-	
43	Strainer	-	430365-03	1	x 1		
			441569-03		o 1	1	
44	Coupling (MA)	5782-8-10	434072-01	1	1	1	
45	Tube Holder - L		438245-01	1	1	1	
46	Coupling (MA)	5782-6-6	426554-01	1	1	1	
47	Tube Holder - S		438246-01	1	1	1	
48	Hot Gas Valve	ABS-25-1-HD-2	3U0033-01	2	2	2	
49	Distributor	MD001E023	435289-01	1	1	1	
50	-	-	-	-	-	-	
51	Copper Tube (E1) - High Side	Copper	324502-01				
52	-	-	-	-	-	-	
53	Rubber Flange	EPDM	439364-01	1	1	1	
54	Valve Body	70	440352-01	1	1	1	
55	Coil Valve	ABS-25-HD-2	440353-01	1	1	1	

E

HA

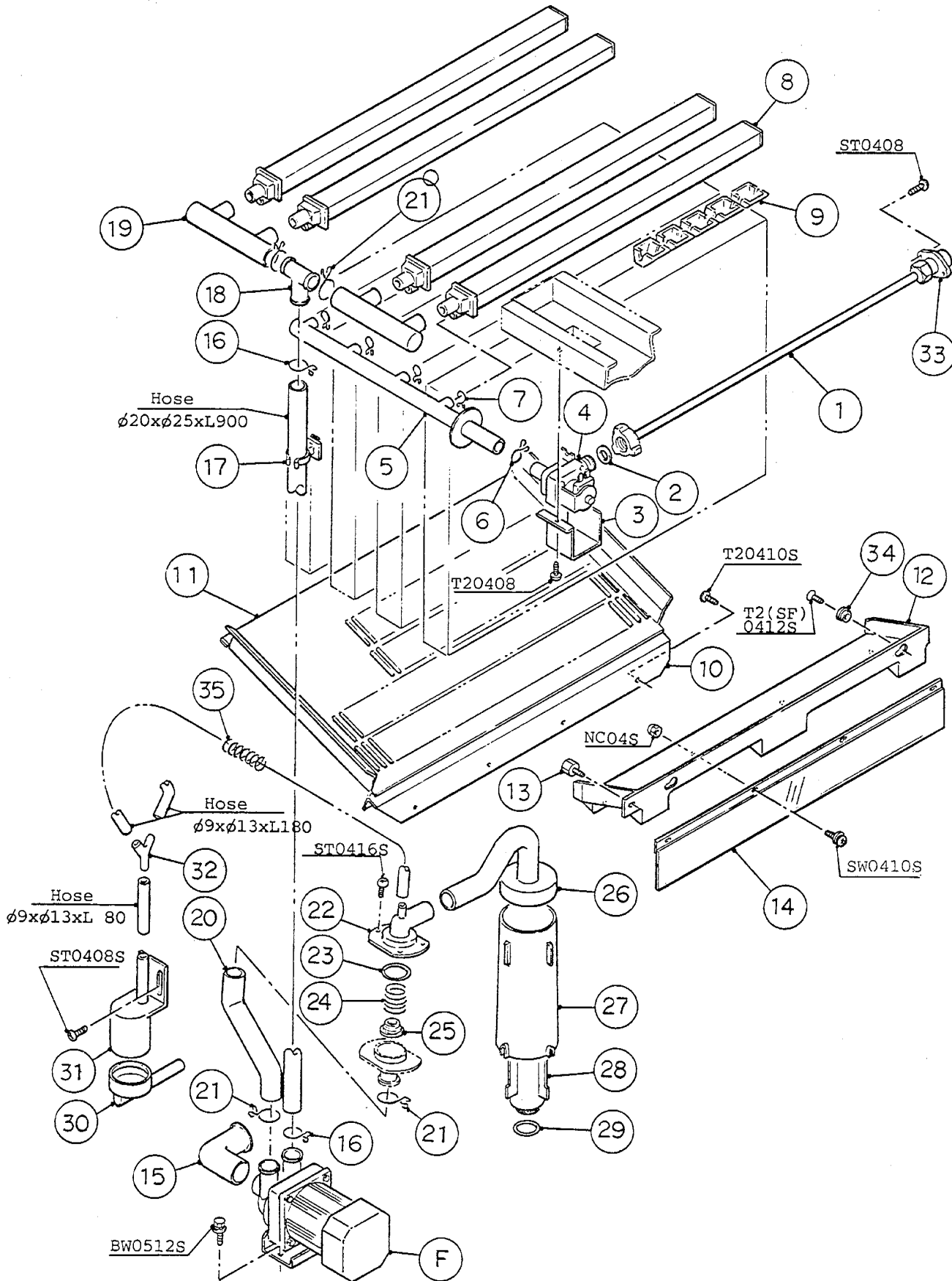
MODEL		TITLE						
KM-1200MRB		B. REFRIGERATION CIRCUIT						
INDEX NO.	DESCRIPTION	MATERIAL OR MODEL NUMBER	PART NUMBER	REQ'D NUMBER				
				J-1	K-0	K-1	K-2	A-0
56	Bolt	-	440353F01			1	1	1

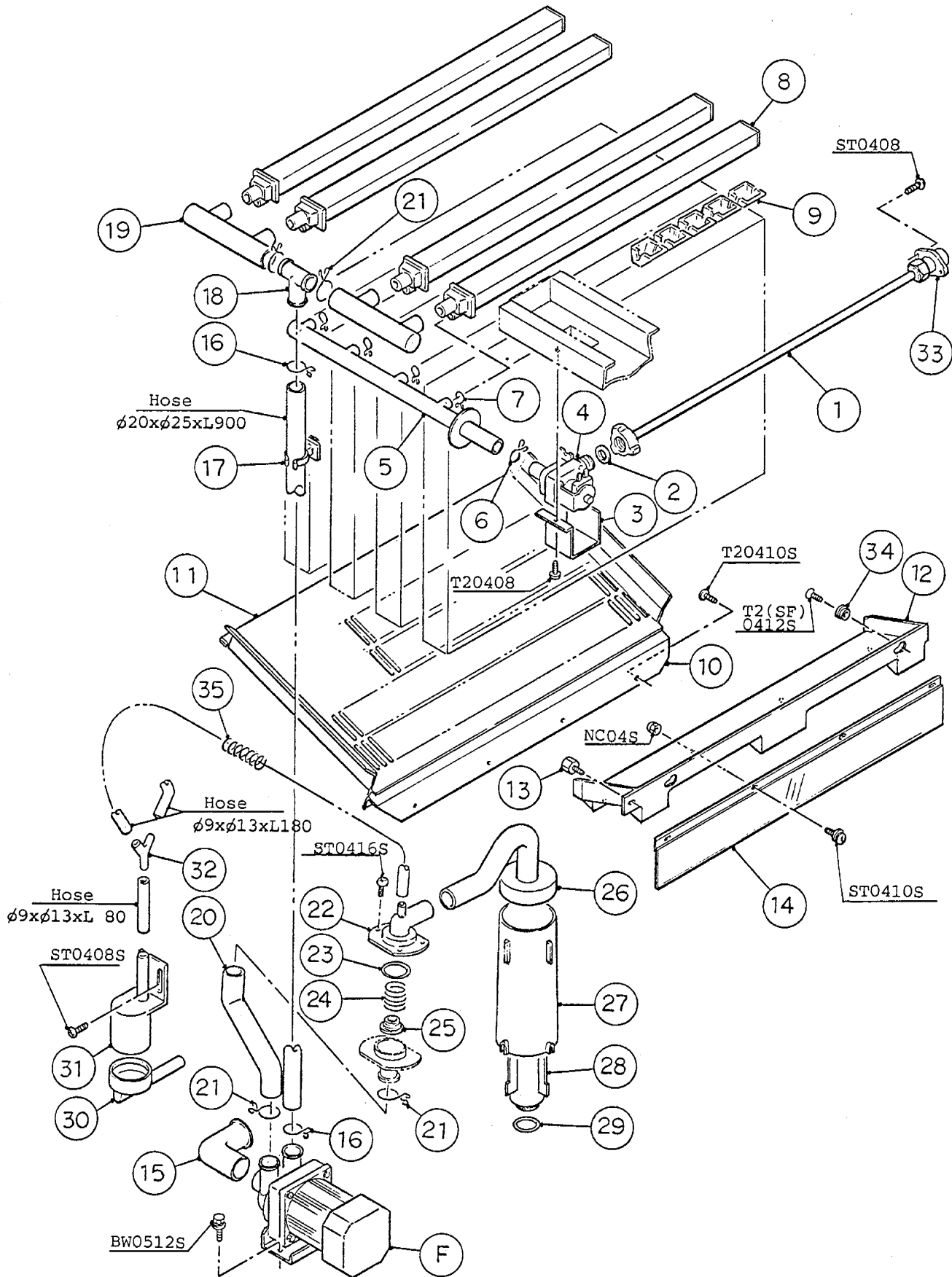
E

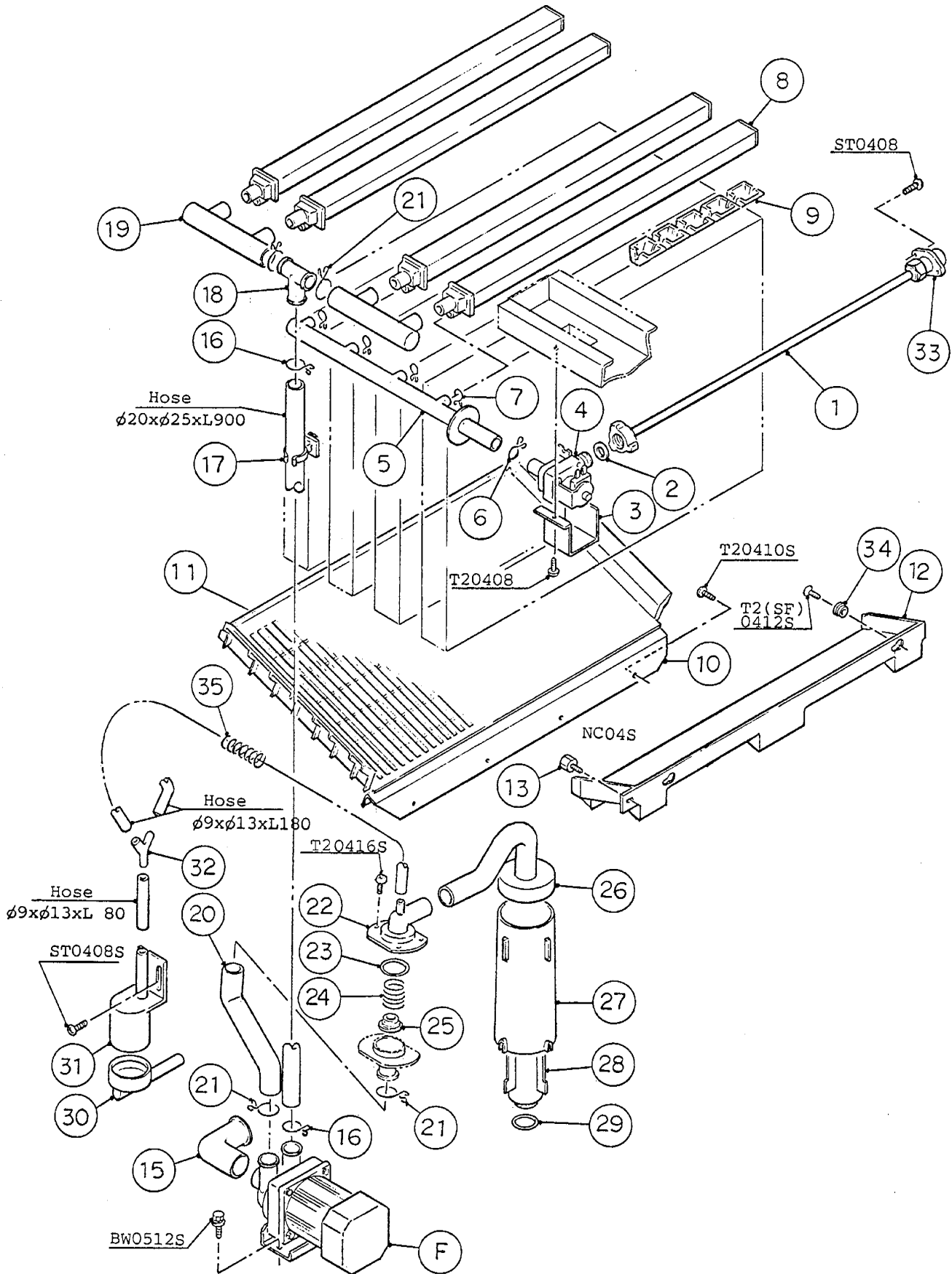
HA

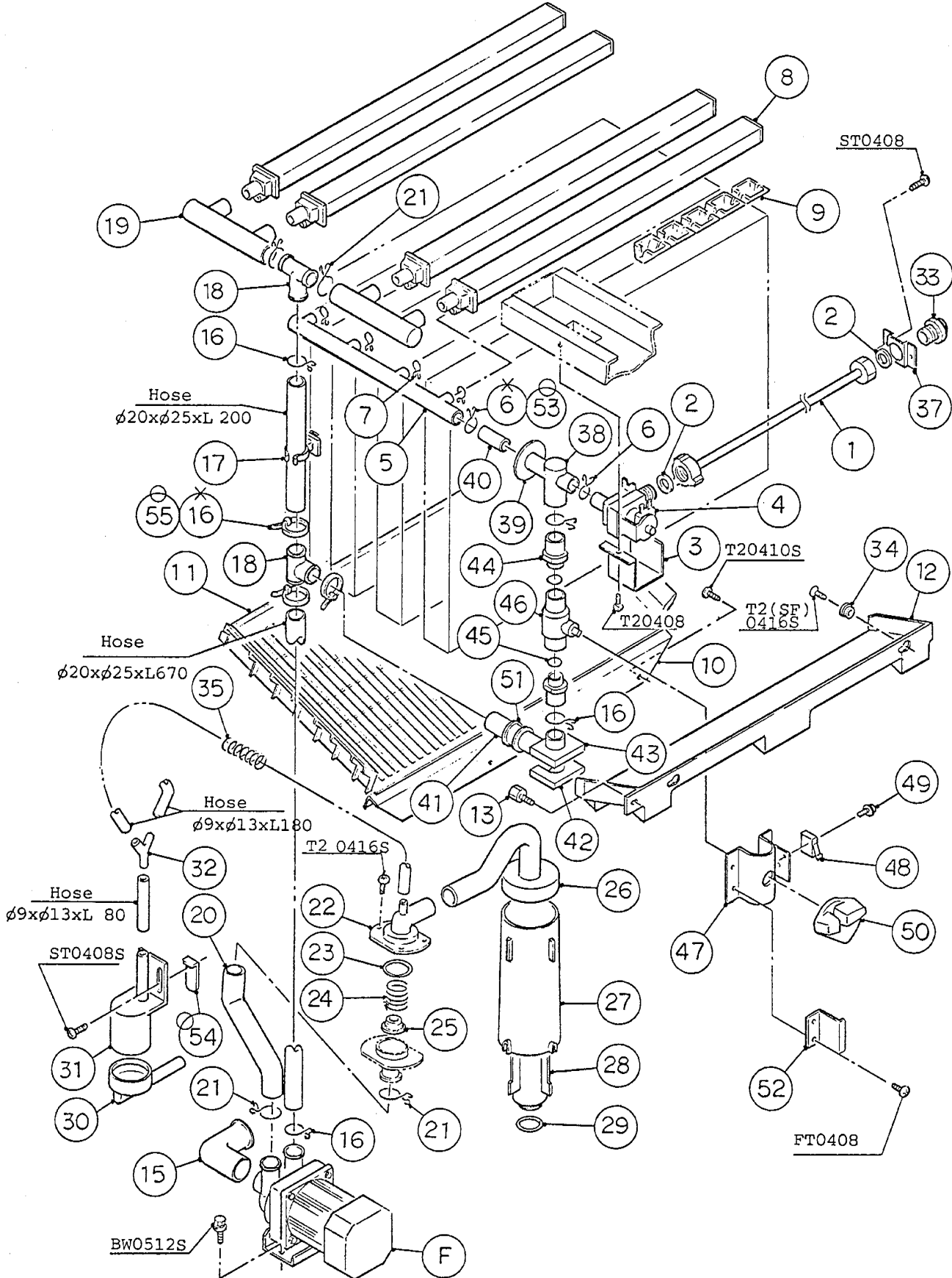
MODEL		TITLE		REQ'D NUMBER				
KM-1200MRB		B. REFRIGERATION CIRCUIT		A-1	B-0	B-1		
INDEX NO.	DESCRIPTION	MATERIAL OR MODEL NUMBER	PART NUMBER	A-1	B-0	B-1		
56	Bolt	-	440353F01	1	1	1		
57	Holder / Exp. Valve - 1/2		3A0112-01			o 1		
58	Clamp		443461-01			o 1		
59	Cable Tie	CV-200	7920-0010			o 3		

E









HA

MODEL		TITLE						
KM-1200M ALL		C. WATER CIRCUIT						
INDEX NO.	DESCRIPTION	MATERIAL OR MODEL NUMBER	PART NUMBER	REQ'D NUMBER				
				J-1	K-0	K-1	K-2	A-0
F	PUMP MOTOR ASSY	(S-0640)	212797A01	1	1	1	1	x 1
		(S-0731)	215693A01					o 1
1	Water Supply Pipe	Copper	435094G01	1	1	1	-	
			436670G01				1	1
2	Rubber Gasket	NBR	413854-01	1	1	1	1	1
3	Water Valve Bracket	G. S	321443-01	1	1	1	1	1
4	Water Valve	J248-030	3U0111-01	1	1	1	1	1
5	Distributor Hose	EPDM	322522-01	1	1	1	-	
			325933-01				1	1
6	Hose Clamp	S. S, 18mm	427443-05	1	1	1	2	2
7	Hose Clamp	S. S, 13.5mm	427443-07	4	4	4	4	4
8	Spray Tube	S. S	433520G01	4	4	4	4	4
9	Spray Guide (A)	PE	208586-01	12	12	12	12	12
10	Plate	S. S	435045-01	1	1	1	1	1
11	Cube Guide (A)	S. S	212808-01	1	1	x 1		
			214905-01			o 1	1	1
12	Cube Guide (B)	ABS	322644-01	1	1	x 1		
			322644-02			o 1	1	1
13	Thumbscrew	S. S, ABS	415949G01	1	1	1	1	1
14	Curtain	PE	435088G01	1	1	x 1		
15	Hose (A)	EPDM	435091-01	1	1	1	1	1
16	Hose Clamp	25mm	427443-03	2	2	2	4	x 4
								o 7
17	Holder	PP	322692-01	2	2	2	2	2
18	Distributor	ABS	432426-01	1	1	1	2	2
19	Distributor Hose (B)	EPDM	432432-01	2	2	2	2	2
20	Drain Hose	EPDM	435092-01	1	1	1	1	1
21	Hose Clamp	27mm	427443-08	x 2				
				o 4	4	4	7	x 7
								o 4
22	Drain Valve (B)	ABS	322693-01	1	1	1	1	1
23	"O" Ring	1AG35	7611-G035	1	1	1	1	1
24	Spring	S. S	322685-01	1	1	1	1	1

E

HA

MODEL		TITLE		REQ'D NUMBER			
KM-1200M ALL		C. WATER CIRCUIT		A-1	B-0	B-1	
INDEX NO.	DESCRIPTION	MATERIAL OR MODEL NUMBER	PART NUMBER	A-1	B-0	B-1	
F	PUMP MOTOR ASSY	(S-0731)	215693A01	1	1	1	
1	Water Supply Pipe	Copper	436670G01	1	1	x 1	
			4A0156G01			o 1	
2	Rubber Gasket	NBR	413854-01	1	1	1	
3	Water Valve Bracket	G. S	321443-01	1	1	1	
4	Water Valve	J248-030	3U0111-01	1	1	1	
5	Distributor Hose	EPDM	325933-01	1	1	1	
6	Hose Clamp	S. S, 18mm	427443-05	x 2			
				o 1	1	1	
7	Hose Clamp	S. S, 13.5mm	427443-07	4	4	4	
8	Spray Tube	S. S	433520G01	4	4	4	
9	Spray Guide (A)	PE	208586-01	12	12	12	
10	Plate	S. S	435045-01	1	1	x 1	
			3A0133-01			o 1	
11	Cube Guide (A)	S. S	214905-01	1	1	1	
12	Cube Guide (B)	ABS	322644-02	1	1	1	
13	Thumbscrew	S. S, ABS	415949G01	1	1	1	
14	-	-	-	-			
15	Hose (A)	EPDM	435091-01	1	1	1	
16	Hose Clamp	25mm	427443-03	7	7	x 7	
						o 4	
17	Holder	PP	322692-01	2	2	2	
18	Distributor	ABS	432426-01	2	2	2	
19	Distributor Hose (B)	EPDM	432432-01	2	2	2	
20	Drain Hose	EPDM	435092-01	1	1	1	
21	Hose Clamp	27mm	427443-08	4	4	4	
22	Drain Valve (B)	ABS	322693-01	1	1	1	
23	"O" Ring	1AG35	7611-G035	1	1	1	
24	Spring	S. S	322685-01	1	1	1	

E

HA

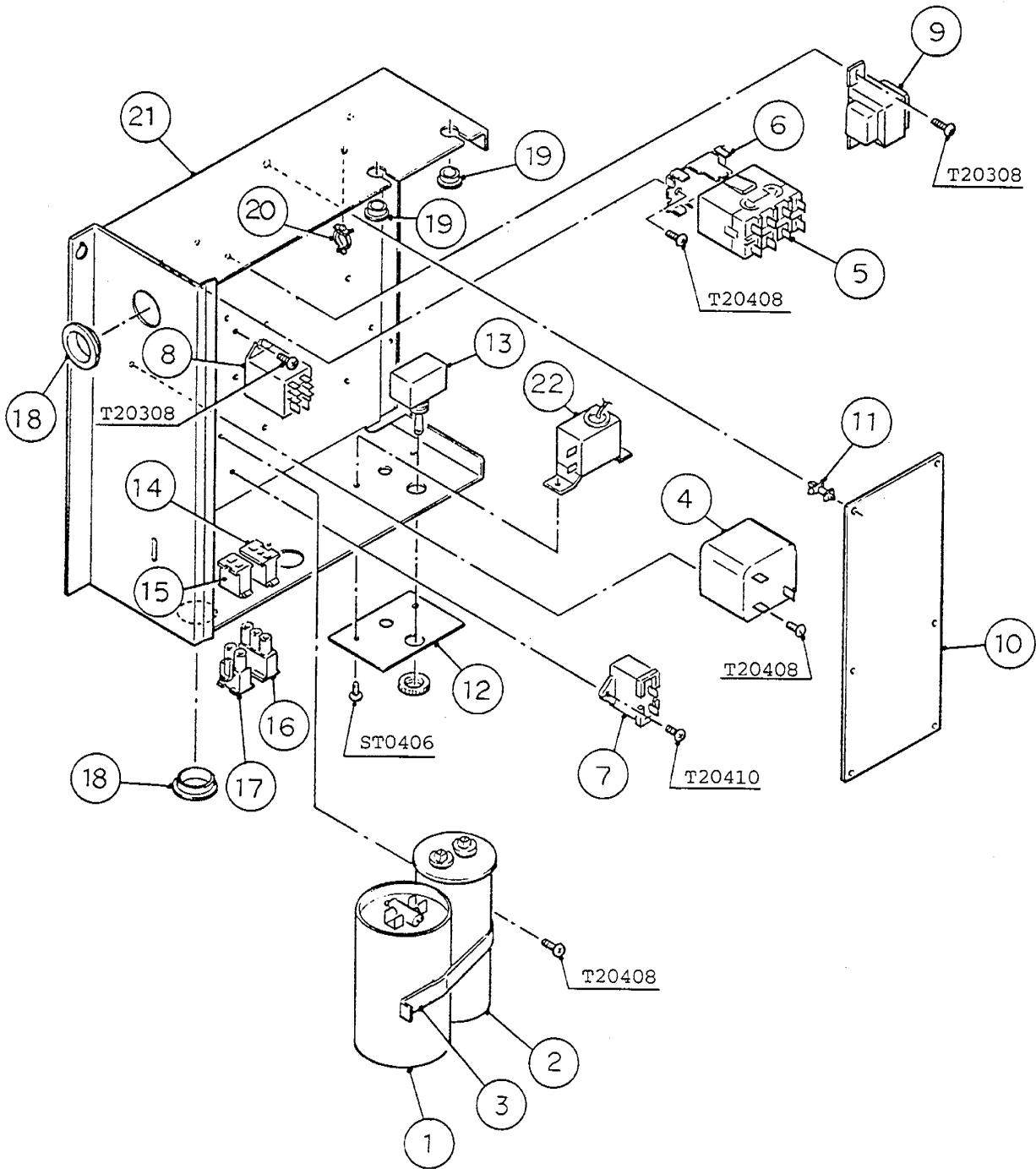
MODEL		TITLE							
KM-1200M ALL		C. WATER CIRCUIT							
INDEX NO.	DESCRIPTION	MATERIAL OR MODEL NUMBER	PART NUMBER	REQ'D NUMBER					
				J-1	K-0	K-1	K-2	A-0	
25	Valve Sheet	EPDM	433705-01	1	1	1	1	1	
26	Hose (C)	EPDM	322690-01	1	1	1	1	-	
			326655-01					1	
27	Overflow Cap	ABS	322816-01	1	1	1	1	1	
29	"O" Ring	1AP32	7611-P032	1	1	1	1	1	
30	Connector - Float Switch	EPDM	426799-01	1	1	1	1	1	
31	Float Switch	FS-0893A-2	430417-02	1	1	1	1	1	
32	Connector	ABS	432763-01	1	1	1	1	1	
33	Fitting	Brass	322710-01	1	1	1	-		
	Fitting - Inlet		436552-01				1	1	
34	Collar	ABS	435269-01	2	2	2	2	2	
35	Spring	S. S	435825-01	1	1	1	1	1	
36	Screw	-	437735-01	o 1	4	x 1			
37	Fitting Holder - Inlet	G. S	436550-01				1	1	
38	Tee	EPDM	439197-01				1	1	
39	Flange	EPDM	439267-01				1	1	
40	Joint Pipe	ABS	439329-01				1	1	
41	Bypass Hose	EPDM	439265-01				1	1	
42	Corner Insulation (A)	PE Foam	439376-01				1	1	
43	Corner Insulation (B)	PE Foam	439392-01				1	1	
44	Male Adaptor	ABS	325826-01				2	2	
45	"O" Ring	1AP20	7611-P020				2	2	
46	Ball Valve	PVC	439293-01				1	1	
47	Valve Holder	G. S	325825-01				1	1	
48	Micro Switch	AH-8064	436386-01				1	1	
49	Tapping Screw	3x14	431415-02				2	2	
50	Handle	JH1352	215383-01				1	1	
51	Rubber Ring	-	439236-01				1	1	
52	Handle Bracket	G. S	439929-01				1	1	

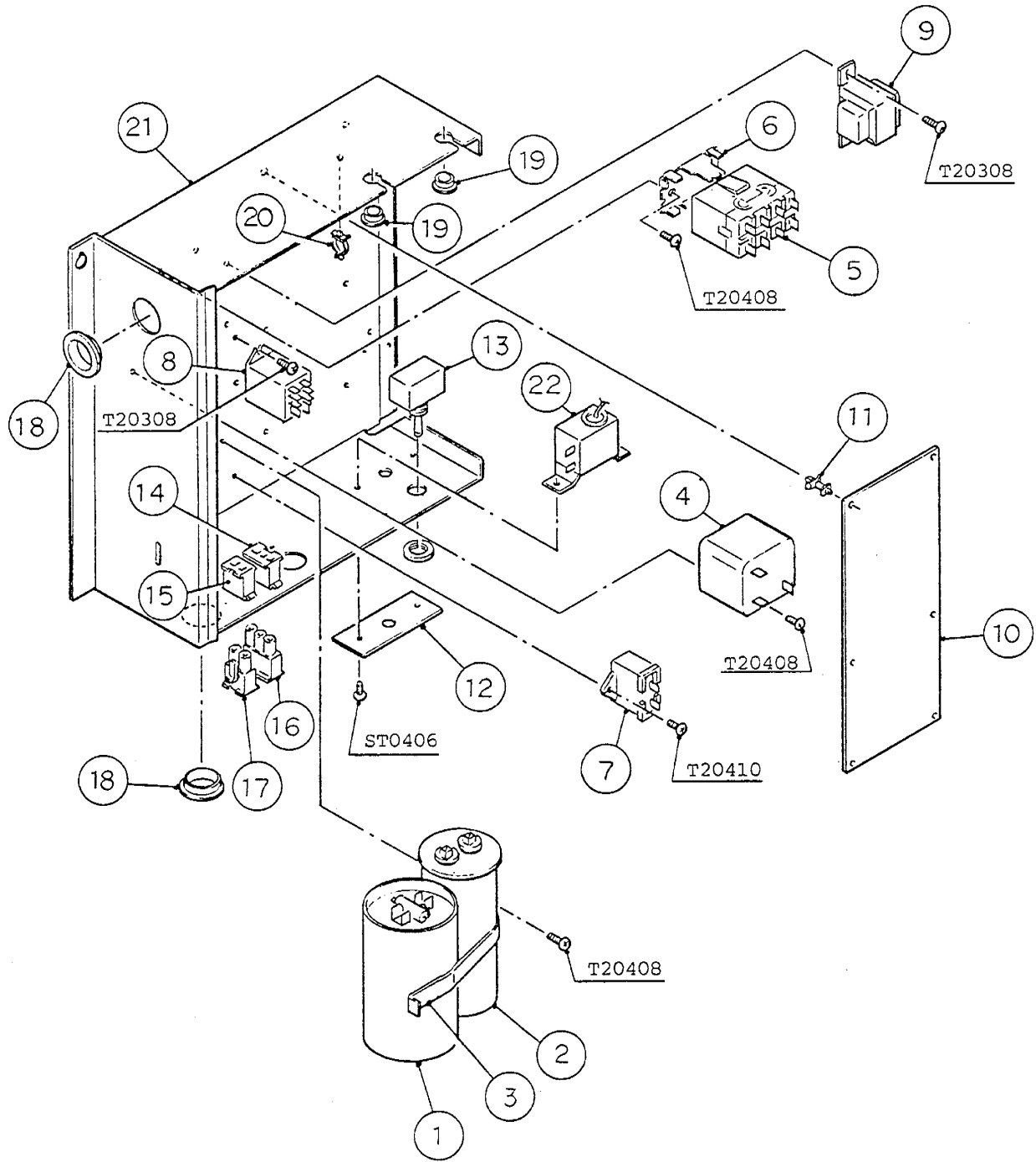
E

HA

MODEL		TITLE		REQ'D NUMBER				
KM-1200M ALL		C. WATER CIRCUIT		A-1	B-0	B-1		
INDEX NO.	DESCRIPTION	MATERIAL OR MODEL NUMBER	PART NUMBER	A-1	B-0	B-1		
25	Valve Sheet	EPDM	433705-01	1	1	1		
26	Hose (C)	EPDM	326655-01	1	1	1		
27	Overflow Cap	ABS	322816-01	1	1	1		
28	Overflow Pipe	ABS	322691-01	1	1	1		
29	"O" Ring	1AP32	7611-P032	1	1	1		
30	Connector - Float Switch	EPDM	426799-01	1	1	1		
31	Float Switch	FS-0893A-2	430417-02	1	1	1		
32	Connector	ABS	432763-01	1	1	1		
33	Fitting - Inlet		436552-01	1	1	1		
34	Collar	ABS	435269-01	2	2	2		
35	Spring	S. S	435825-01	1	1	1		
36	-	-	-	-				
37	Fitting Holder - Inlet	G. S	436550-01	1	1	1		
38	Tee	EPDM	439197-01	1	1	1		
39	Flange	EPDM	439267-01	1	1	1		
40	Joint Pipe	ABS	439329-01	1	1	1		
41	Bypass Hose	EPDM	439265-01	1	1	1		
42	Corner Insulation (A)	PE Foam	439376-01	1	1	1		
43	Corner Insulation (B)	PE Foam	439392-01	1	1	1		
44	Male Adaptor	ABS	325826-01	2	2	2		
45	"O" Ring	1AP20	7611-P020	x 2				
		1AP18	7611-P018	o 2	2	2		
46	Ball Valve	PVC	439293-01	1	1	1		
47	Valve Holder	G. S	325825-01	1	1	1		
48	Micro Switch	AH-8064	436386-01	1	1	1		
49	Tapping Screw	3x14	431415-02	2	2	2		
50	Handle	JH1352	215383-01	1	1	1		
51	Rubber Ring	-	439236-01	1	1	1		
52	Handle Bracket	G. S	439929-01	1	1	1		
53	Hose Clamp	S. S, 20mm	427443-06	o 1	1	1		
54	Float Switch Stop		4A0137-01			o 1		
55	Cable Tie	CV-200	7920-0010			o 3		

E

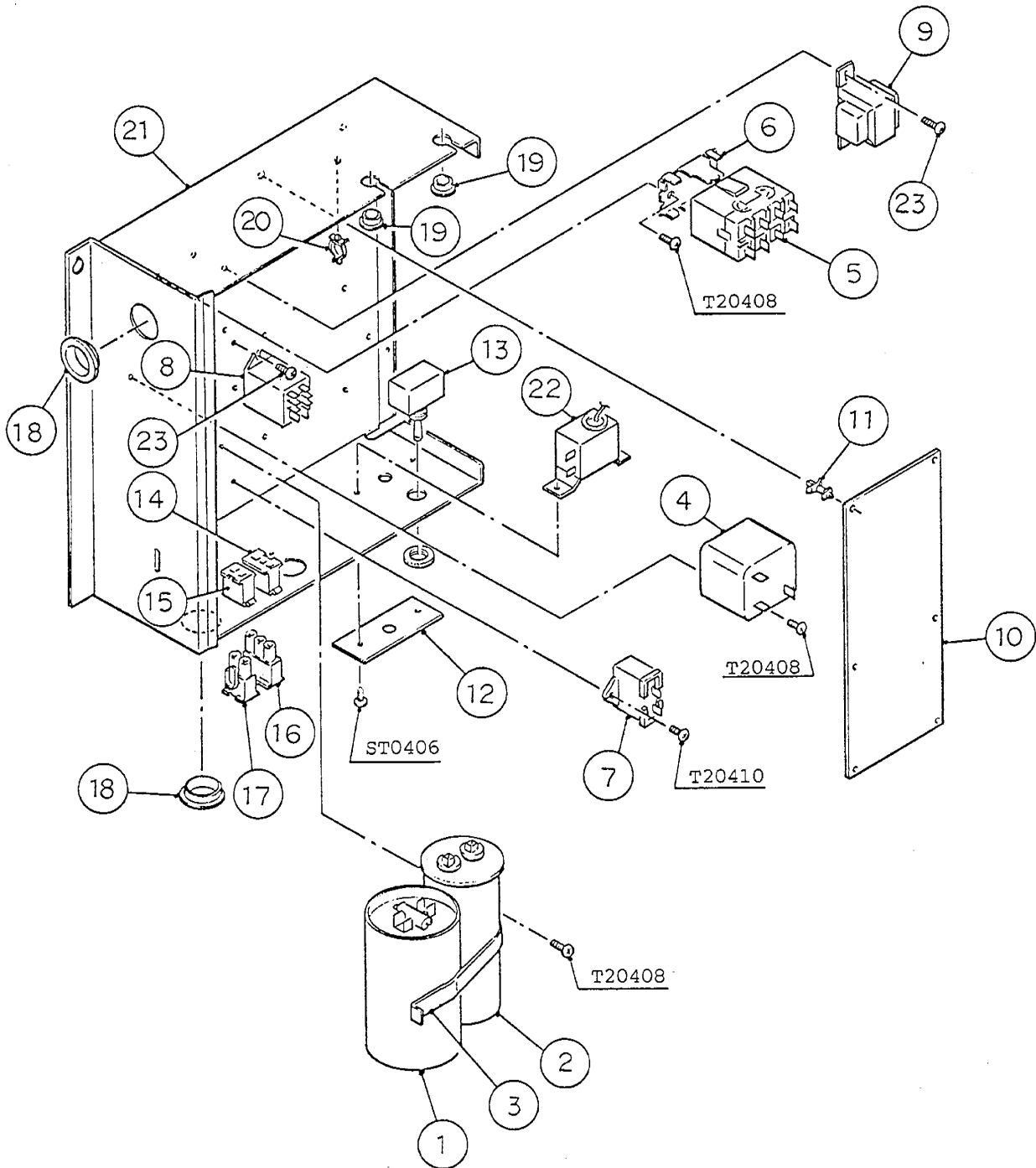


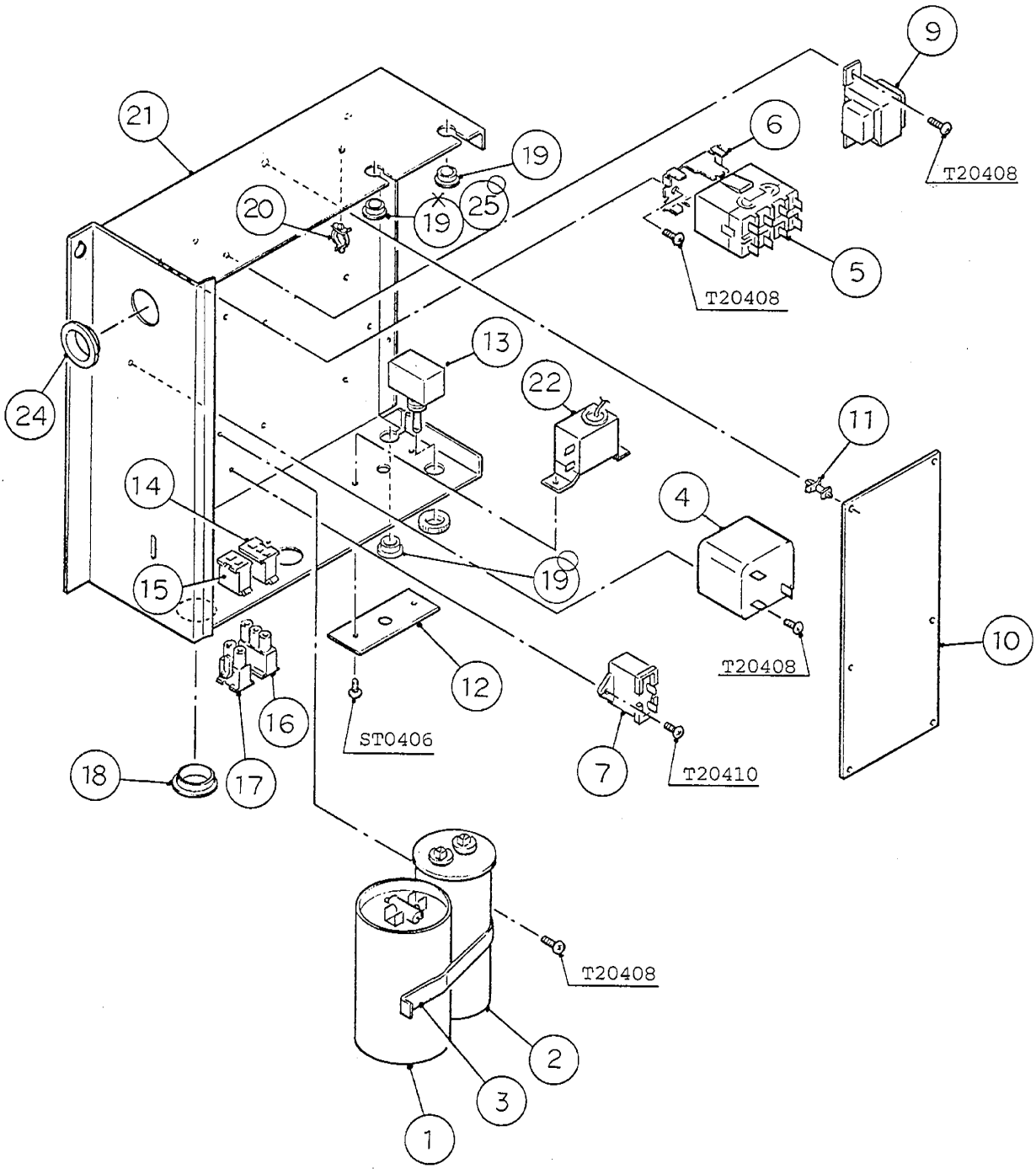


HA
KM-1200M ALL

D. CONT. BOX ASSY

(B-0)
(A-1)(A-0)(K-2)
(K-1)(K-0)(J-1)





HA

MODEL		TITLE			REQ'D NUMBER				
KM-1200MAB, MRB		D. CONT. BOX ASSY			J-1	K-0	K-1	K-2	A-0
INDEX NO.	DESCRIPTION	MATERIAL OR MODEL NUMBER	PART NUMBER	J-1	K-0	K-1	K-2	A-0	
1	Start Capacitor	145-174 μ F, 250V	434919-01	1	1	1	1	1	
2	Run Capacitor	35 μ F, 370V	434920-01	1	1	1	1	1	
3	Strap	G. S	434580-04	1	1	1	1	1	
4	Starter	-	434923-01	1	1	1	1	1	
5	Magnetic Contactor	VC20	428393-01	1	1	1	1	1	
6	Bracket	-	428393F01	1	1	1	1	1	
7	Capacitor	230V, 5 μ F	428641-01	1	1	1	1	1	
8	Relay	LY1F-HSD	418271-05	1	1	1	1	1	
9	Transformer	H2HA016H01	3U0113-01	1	1	1	1	x 1	
		H2HA016H01A	3U0139-01					o 1	
10	Controller Board	H2AA087	2U0103-01	1	1	x 1			
		H2AA087C02	2U0103-02			o 1	1	x 1	
		H2AA087C03	2U0134-01					o 1	
11	Board Support	KGLS-6S	414929-01	6	6	6	6	6	
12	Control Label	PES Film	434934-01	1	1	1	1	1	
13	Toggle Switch	ST210P	428638-01	1	1	1	1	1	
14	3P Plug Housing	3191-03P	412832-06	1	1	1	1	1	
15	2P Plug Housing	3191-02P	412832-07	1	1	1	1	1	
16	3P Receptacle Housing	3191-03R1	412831-06	1	1	1	1	1	
17	2P Receptacle Housing	3191-02R1	412831-07	1	1	1	1	1	
18	Bushing	SB-1093-15	420470-03	2	2	2	2	2	
19	Bushing	OCB-500	428394-02	2	2	2	2	2	
20	Clamp	No. 248	427902-04	1	1	1	1	1	
21	Cont. Box	G. S	212608G02	1	1	-			
			212608G01			1	1	1	
22	Thermostat	YTB-3U105	433536-01	1	1	1	1	1	
23	Tapping Screw	3x8	431415-01	o 4	4	4	4	4	

E

HA

MODEL		TITLE		REQ'D NUMBER				
KM-1200MAB, MRB		D. CONT. BOX ASSY		A-1	B-0	B-1		
INDEX NO.	DESCRIPTION	MATERIAL OR MODEL NUMBER	PART NUMBER					
1	Start Capacitor	145-174 μ F, 250V	434919-01	1	1	-		
	Capacitor - Starting		3A0076-01			1		
2	Run Capacitor	35 μ F, 370V	434920-01	1	1	-		
	Capacitor		439943-01			1		
3	Strap	G. S	434580-01	1	1	-		
			434580-04			1		
4	Starter	-	434923-01	1	1	1		
5	Magnetic Contactor	VC20	428393-01	1	1	1		
6	Bracket	-	428393F01	1	1	1		
7	Capacitor	230V, 5 μ F	428641-01	1	1	x 1		
		250V, 5 μ F	443192-02			o 1		
8	Relay	LY1F-HSD	418271-05	1	1	-		
9	Transformer	H2HA016H01A	3U0139-01	1	1	-		
		BW48-005	3U0135-01			1		
10	Controller Board	H2AA087C03	2U0134-01	1	1	-		
		MY9KM910	2U0127-01			1		
11	Board Support	KGLS-6S	414929-01	6	6	6		
12	Control Label	PES Film	434934-01	1	1	1		
13	Toggle Switch	ST210P	428638-01	1	1	x 1		
		7653K6	443119-01			o 1		
14	3P Plug Housing	3191-03P	412832-06	1	1	1		
15	2P Plug Housing	3191-02P	412832-07	1	1	1		
16	3P Receptacle Housing	3191-03R1	412831-06	1	1	1		
17	2P Receptacle Housing	3191-02R1	412831-07	1	1	1		
18	Bushing	SB-1093-15	420470-03	2	2	1		
19	Bushing	OCB-500	428394-02	2	2	x 2		
						x 3		
						o 2		
20	Clamp	No. 248	427902-04	1	1	1		
21	Cont. Box	G. S	212608G01	1	1	-		
			212608G03			x 1		
			2A0121G01			o 1		
22	Thermostat	YTB-3U105	433536-01	1	1	x 1		
		A30-3815-00	439678-01			o 1		
23	Tapping Screw	3x8	431415-01	4	4	-		

E

HA

MODEL		TITLE					
KM-1200MAB.MRB		D. CONT. BOX ASSY					
INDEX NO.	DESCRIPTION	MATERIAL OR MODEL NUMBER	PART NUMBER	REQ'D NUMBER			
				A-1	B-0	B-1	
24	Bushing	SB-1093-13	420470-12			1	
25	Bushing	OCB-750	428394-01			o 1	

E

HA

MODEL		TITLE			REQ'D NUMBER				
KM-1200MWB		D. CONT. BOX ASSY			J-1	K-0	K-1	K-2	A-0
INDEX NO.	DESCRIPTION	MATERIAL OR MODEL NUMBER	PART NUMBER	J-1	K-0	K-1	K-2	A-0	
1	Start Capacitor	145-174 μ F, 250V	434919-01	1	1	1	1	1	
2	Run Capacitor	35 μ F, 370V	434920-01	1	1	1	1	1	
3	Strap	G. S	434580-01	1	1	1	1	1	
4	Starter	-	434923-01	1	1	1	1	1	
5	Magnetic Contactor	VC20	428393-01	1	1	1	1	1	
6	Bracket	-	428393F01	1	1	1	1	1	
7	Capacitor	230V, 5 μ F	428641-01	1	1	1	1	1	
8	Relay	LY1F-HSD	418271-05	1	1	1	1	1	
9	Transformer	H2HA016H01	3U0113-01	1	1	1	1	-	
		H2HA016H01A	3U0139-01					1	
10	Controller Board	H2AA087	2U0103-01	1	1	x 1			
		H2AA087C02	2U0103-02			o 1	1	x 1	
		H2AA087C03	2U0134-01					o 1	
11	Board Support	KGLS-6S	414929-01	6	6	6	6	6	
12	Control Label	PES Film	434934-01	1	1	1	1	1	
13	Toggle Switch	ST210P	428638-01	1	1	1	1	1	
14	3P Plug Housing	3191-03P	412832-06	1	1	1	1	1	
15	2P Plug Housing	3191-02P	412832-07	1	1	1	1	1	
16	3P Receptacle Housing	3191-03R1	412831-06	1	1	1	1	1	
17	2P Receptacle Housing	3191-02R1	412831-07	1	1	1	1	1	
18	Bushing	SB-1093-15	420470-03	2	2	2	2	2	
19	Bushing	OCB-500	428394-02	2	2	2	2	2	
20	Clamp	No. 248	427902-04	1	1	1	1	1	
21	Cont. Box	G. S	212608G01	1	1	1	1	1	
22	Thermostat	YTB-3U105	433536-01	1	1	1	1	1	
23	Tapping Screw	3x8	431415-01	o 4	4	4	4	4	

E

HA

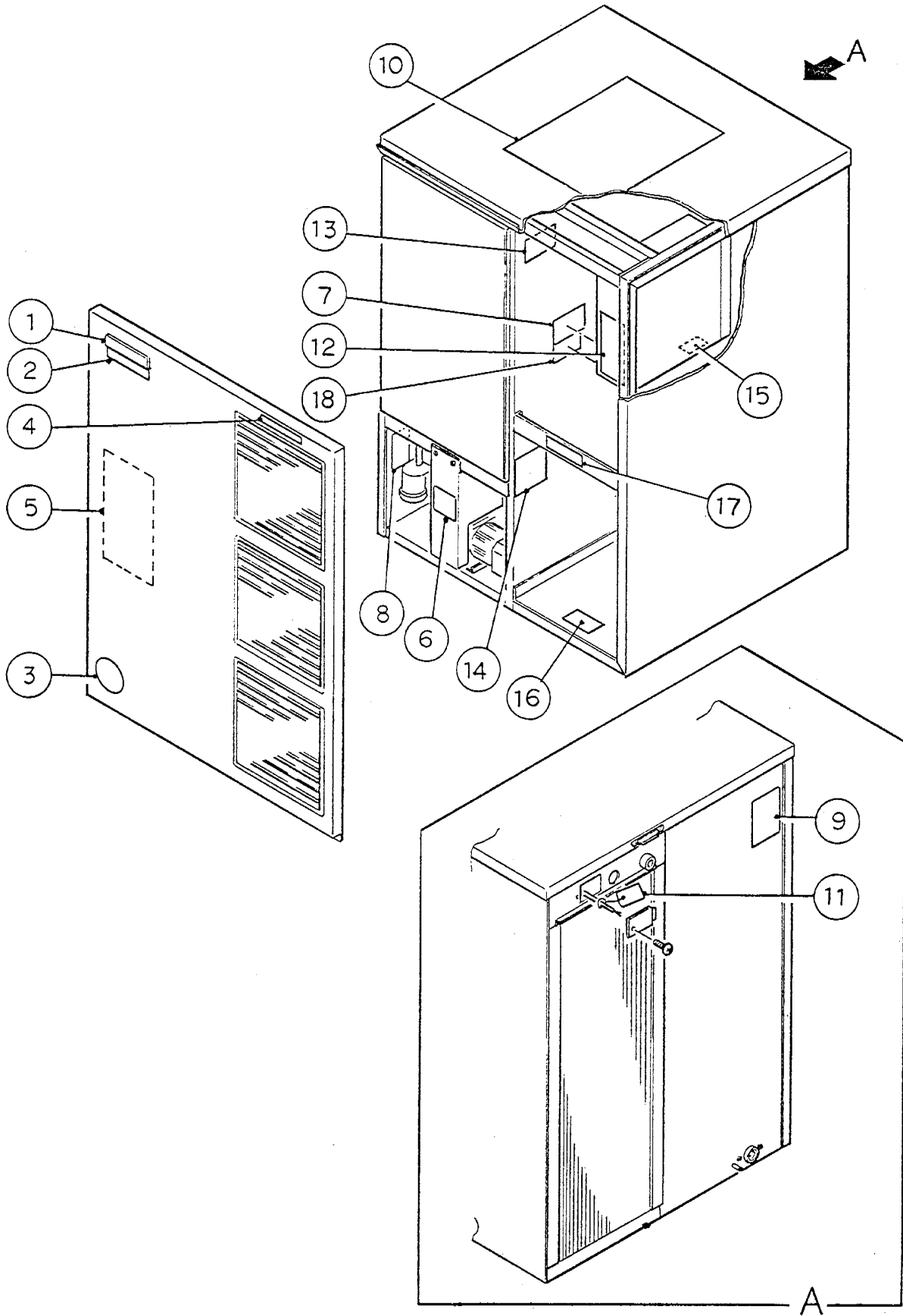
MODEL		TITLE		REQ'D NUMBER				
KM-1200MWB		D. CONT. BOX ASSY		A-1	B-0	B-1		
INDEX NO.	DESCRIPTION	MATERIAL OR MODEL NUMBER	PART NUMBER	A-1	B-0	B-1		
1	Start Capacitor	145-174 μ F, 250V	434919-01	1	1	-		
	Capacitor - Starting		3A0076-01			1		
2	Run Capacitor	35 μ F, 370V	434920-01	1	1	-		
	Capacitor		439943-01			1		
3	Strap	G. S	434580-01	1	1	-		
			434580-04			1		
4	Starter	-	434923-01	1	1	1		
5	Magnetic Contactor	VC20	428393-01	1	1	1		
6	Bracket	-	428393F01	1	1	1		
7	Capacitor	230V, 5 μ F	428641-01	1	1	x 1		
		250V, 5 μ F	443192-02			o 1		
8	Relay	LY1F-HSD	418271-05	1	1	-		
9	Transformer	H2HA016H01A	3U0139-01	1	1	-		
		BW48-005	3U0135-01			1		
10	Controller Board	H2AA087C03	2U0134-01	1	1	-		
		MY9KM910	2U0127-01			1		
11	Board Support	KGLS-6S	414929-01	6	6	6		
12	Control Label	PES Film	434934-01	1	1	1		
13	Toggle Switch	ST210P	428638-01	1	1	x 1		
		7653K6	443119-01			o 1		
14	3P Plug Housing	3191-03P	412832-06	1	1	1		
15	2P Plug Housing	3191-02P	412832-07	1	1	1		
16	3P Receptacle Housing	3191-03R1	412831-06	1	1	1		
17	2P Receptacle Housing	3191-02R1	412831-07	1	1	1		
18	Bushing	SB-1093-15	420470-03	2	2	1		
19	Bushing	OCB-500	428394-02	2	2	x 2		
						x 3		
						o 2		
20	Clamp	No. 248	427902-04	1	1	1		
21	Cont. Box	G. S	212608G01	1	1	-		
			212608G03			x 1		
			2A0121G01			o 1		
22	Thermostat	YTB-3U105	433536-01	1	1	x 1		
		A30-3815-00	439678-01			o 1		
23	Tapping Screw	3x8	431415-01	4	4	-		

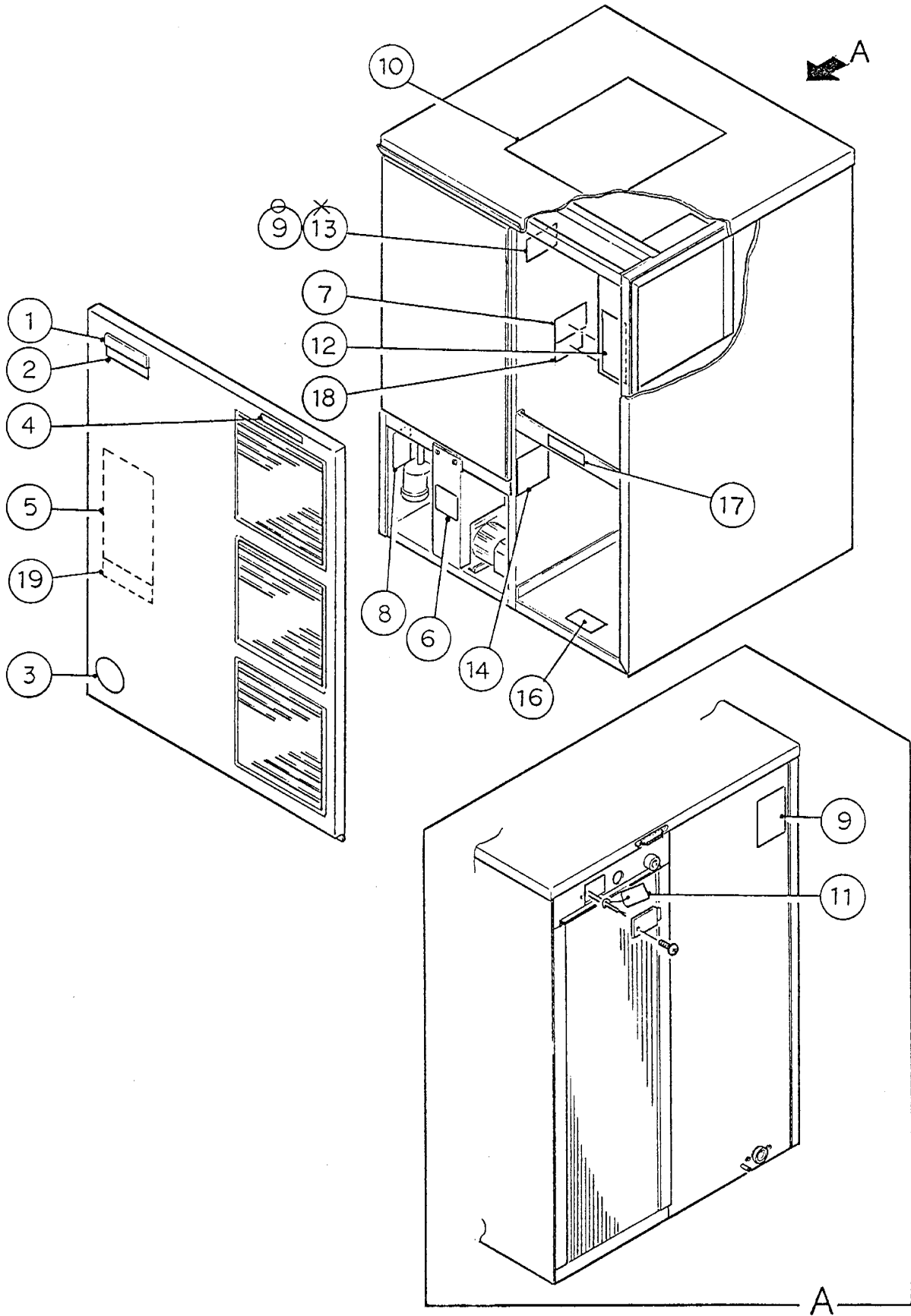
E

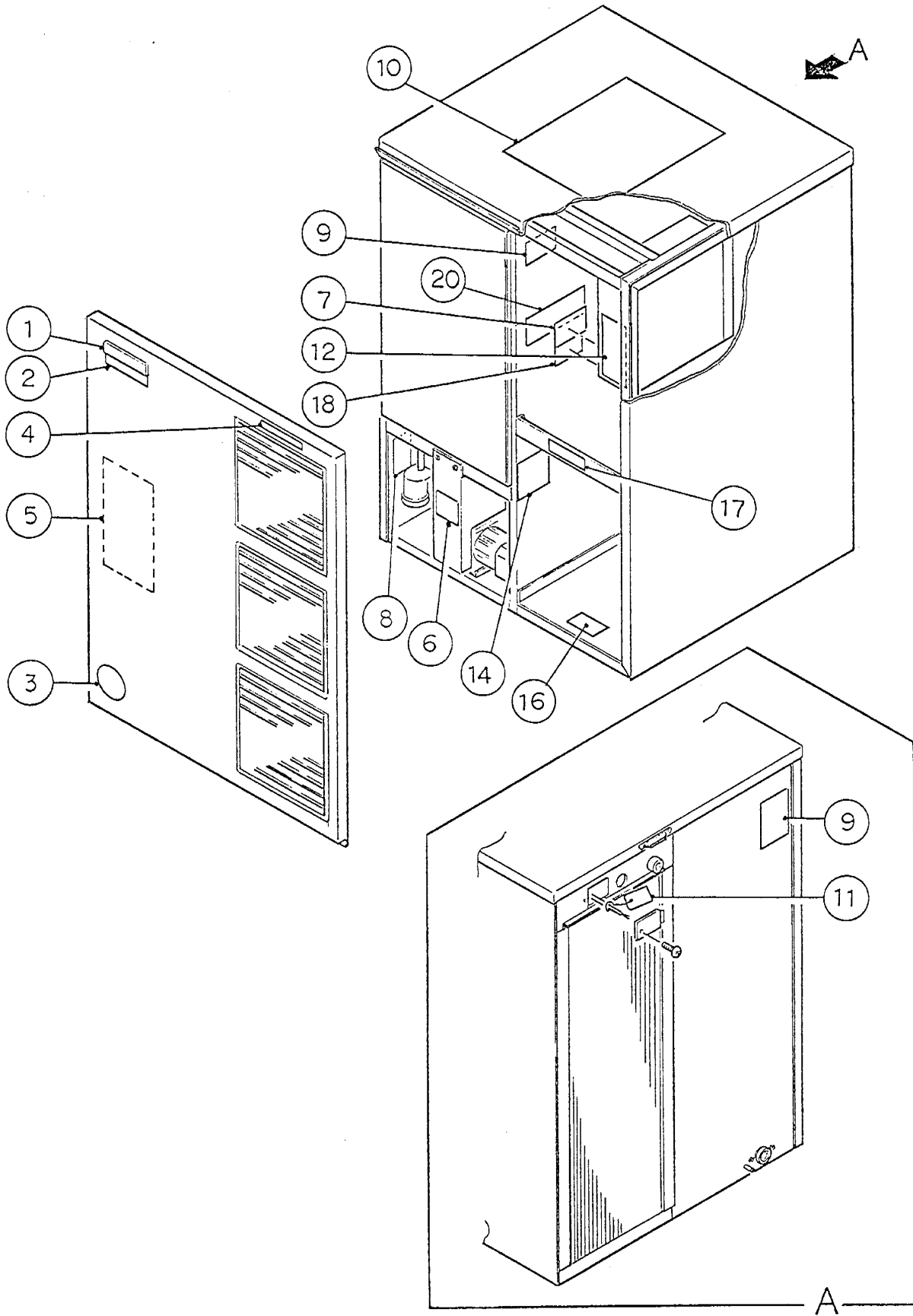
HA

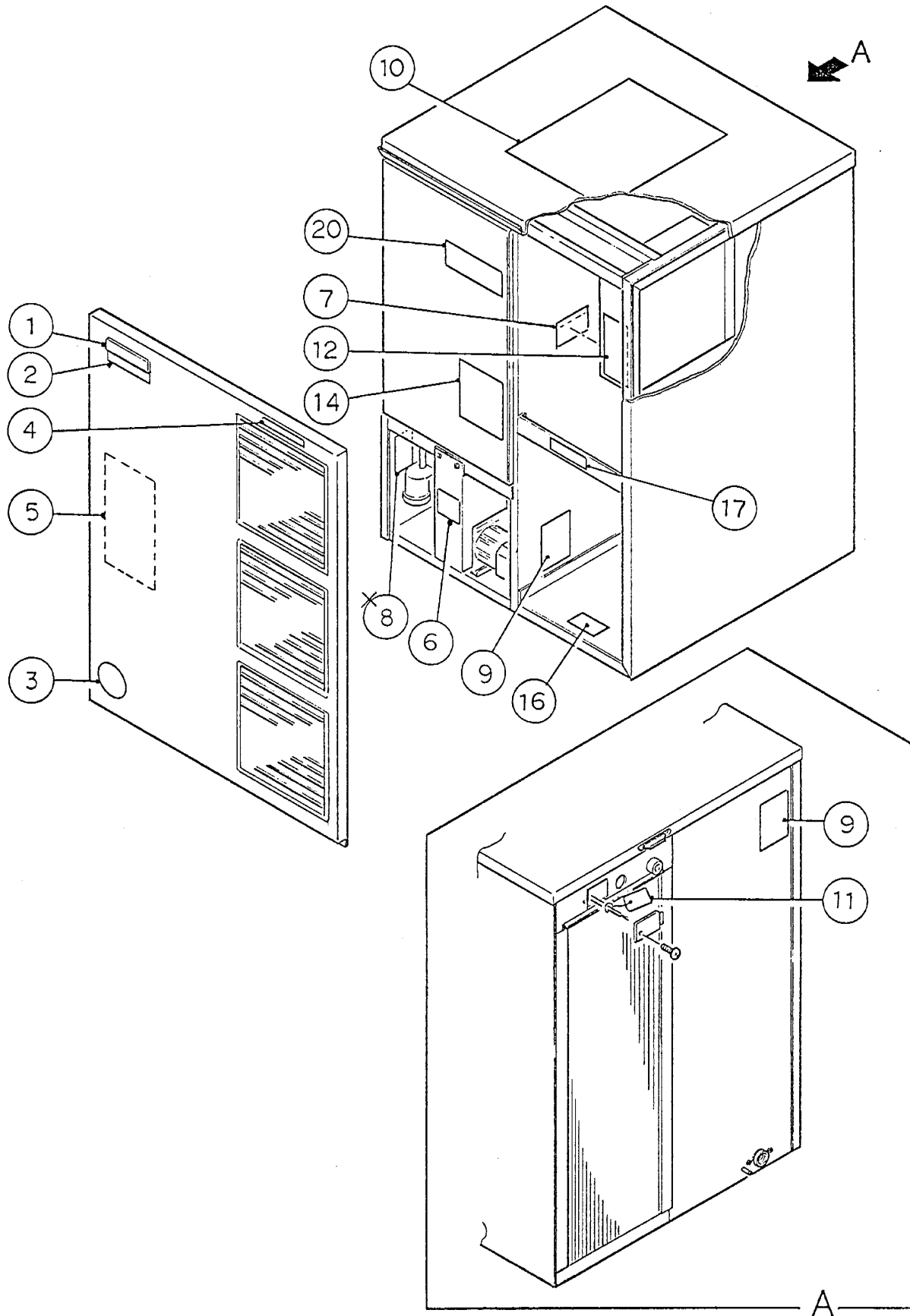
MODEL		TITLE					
KM-1200MWB		D. CONT. BOX ASSY					
INDEX NO.	DESCRIPTION	MATERIAL OR MODEL NUMBER	PART NUMBER	REQ'D NUMBER			
				A-1	B-0	B-1	
24	Bushing	SB-1093-13	420470-12			1	
25	Bushing	OCB-750	428394-01			o 1	

E









HA

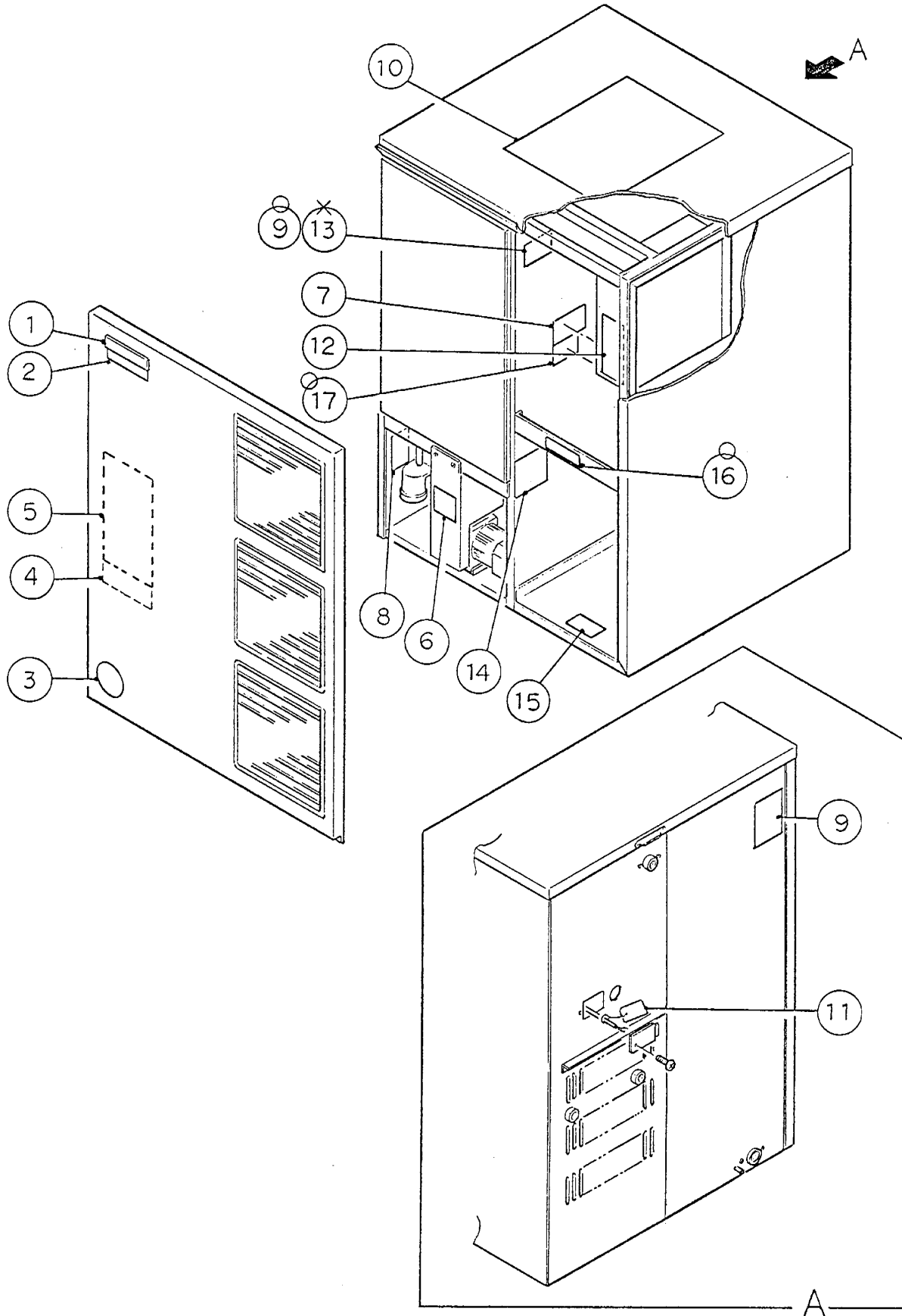
MODEL		TITLE						
KM-1200MAB		E. LABEL LOCATION						
INDEX NO.	DESCRIPTION	MATERIAL OR MODEL NUMBER	PART NUMBER	REQ'D NUMBER				
				J-1	K-0	K-1	K-2	A-0
1	Emblem (L) - HOSHIZAKI	ABS	418634G01	1	1	1	1	1
2	Model Number Label	PETP Film	436041-10	1	1	1	1	1
3	Label - Penguin (R)	PVC Film	410994-01	1	1	1	1	1
4	Label - Air Filter	PETP Film	426177-01	1	1	1	1	1
5	Maintenance Label	PVC Film	322747-01	1	1	1	-	
			325975-01				1	1
6	Warning Label	PVC Film	431092-01	1	1	1	1	1
7	Wiring Label	PVC Film	322744-01	1	1	-		
			324324-01			1	-	
			325463-01				1	1
8	Manual Label - Float Switch	PVC Film	427043-01	1	1	1	1	1
9	Nameplate	PES Film	435162-01	1	1	x 1		
						o 2	2	2
10	Instruction Sheet	Paper	212702-01	1	1	1	1	1
11	Tag - Warning: Electrical Connection	Paper	428430-01	1	1	1	1	1
12	Manual Label	PVC Film	434935-01	1	1	1	1	1
13	Rating Label	PES Film	435312-01	1	1	x 1		
14	Manual Label - Bin Control	-	322846-01	1	1	1	1	1
15	Pressure Sw. Label	-	435323-01	1	1	-		
16	Label - R502	PES Film	4A0026-01	1	1	1	1	1
17	Caution Label	PVC Film	436198-01	1	1	1	1	1
18	Lable - Switch	PVC Film	436248-01	1	1	1	1	1
19	Maintenance Label (B)	PVC Film	4A0071-01			1	-	
20	Operation Label - Valve	-	439541-01				1	1

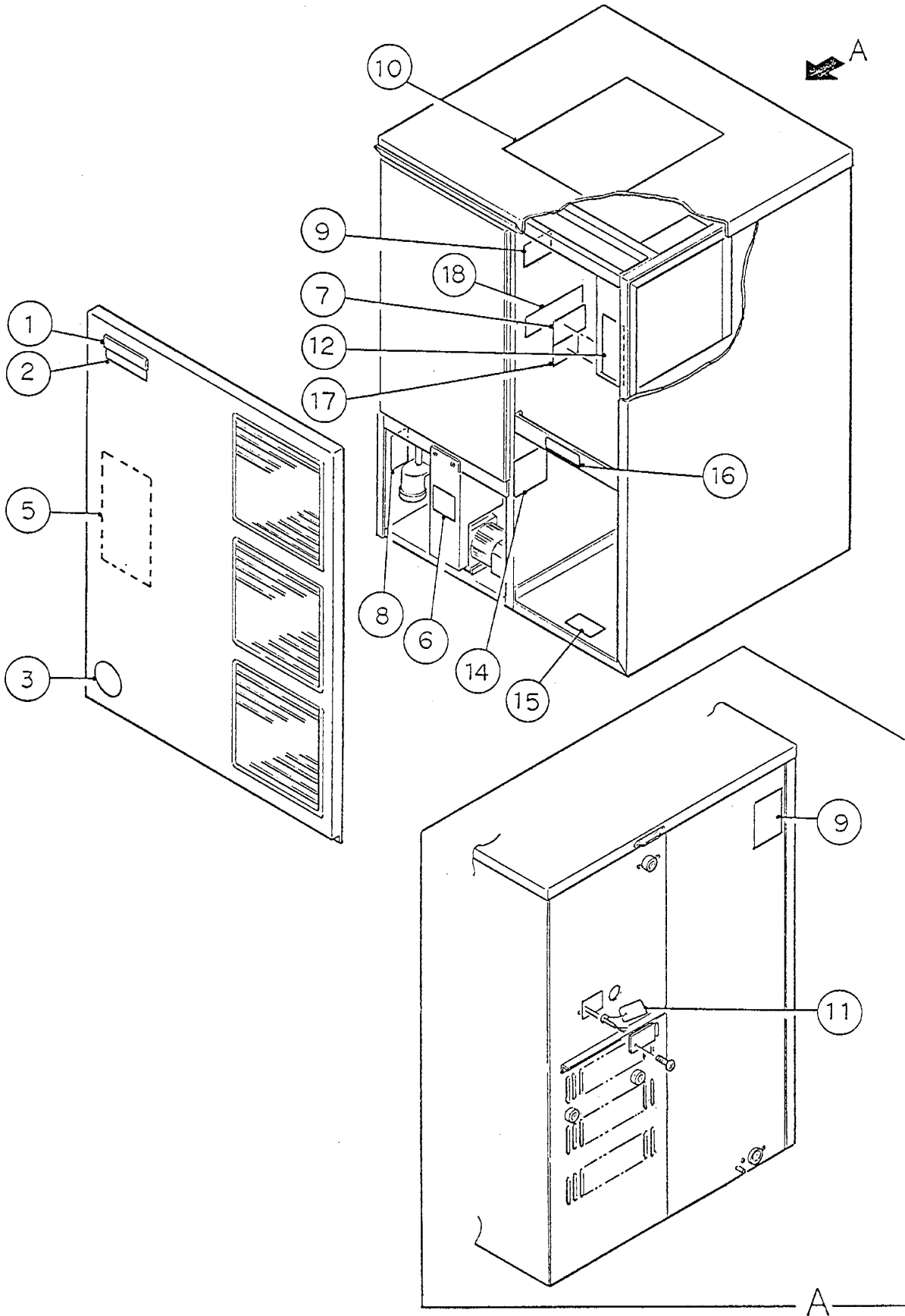
E

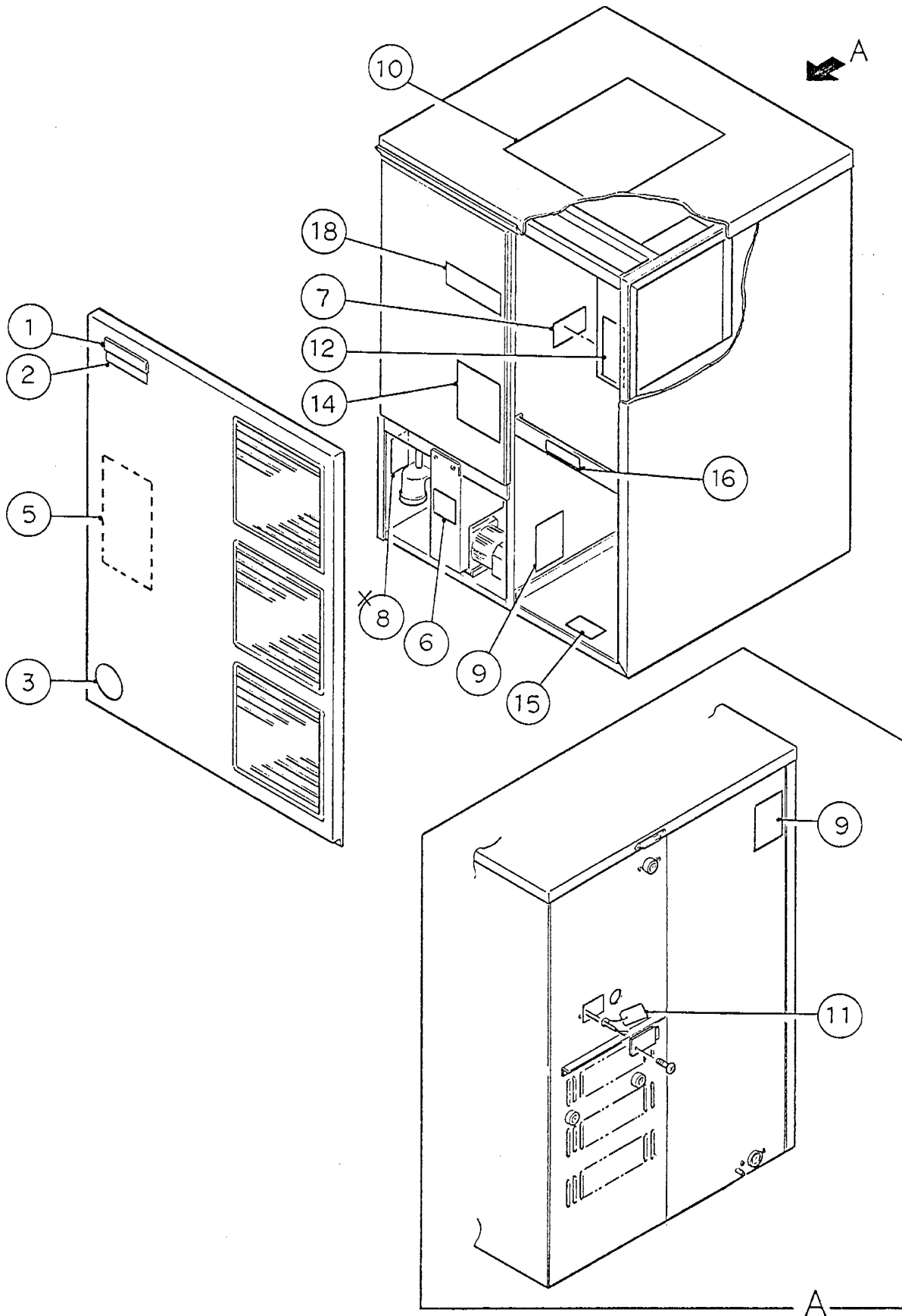
HA

MODEL		TITLE					
KM-1200MAB		E. LABEL LOCATION					
INDEX NO.	DESCRIPTION	MATERIAL OR MODEL NUMBER	PART NUMBER	REQ'D NUMBER			
				A-1	B-0	B-1	
1	Emblem (L) - HOSHIZAKI	ABS	418634G01	1	1	1	
2	Model Number Label	PETP Film	436041-10	1	1	1	
3	Label - Penguin (R)	PVC Film	410994-01	1	1	1	
4	Label - Air Filter	PETP Film	426177-01	1	1	1	
5	Maintenance Label	PVC Film	325975-01	1	1	1	
6	Warning Label	PVC Film	431092-01	1	1	1	
7	Wiring Label	PVC Film	325463-01	x 1			
			327192-01	o 1	1	-	
			328084-01			1	
8	Manual Label - Float Switch	PVC Film	427043-01	1	1	x 1	
9	Nameplate	PES Film	440290-01	2	2	2	
10	Instruction Sheet	Paper	212702-01	1	1	1	
11	Tag - Warning: Electrical Connection	Paper	428430-01	1	1	1	
12	Manual Label	PVC Film	434935-01	1	1	-	
			324476-01			1	
13	-	-	-	-			
14	Manual Label - Bin Control	-	322846-01	1	1	1	
15	-	-	-	-			
16	Label - R502	PES Film	4A0026-01	1	1	1	
17	Caution Label	PVC Film	436198-01	1	1	1	
18	Lable - Switch	PVC Film	436248-01	1	1	-	
19	-	-	-	-			
20	Operation Label - Valve	-	439541-01	1	1	1	

E







HA

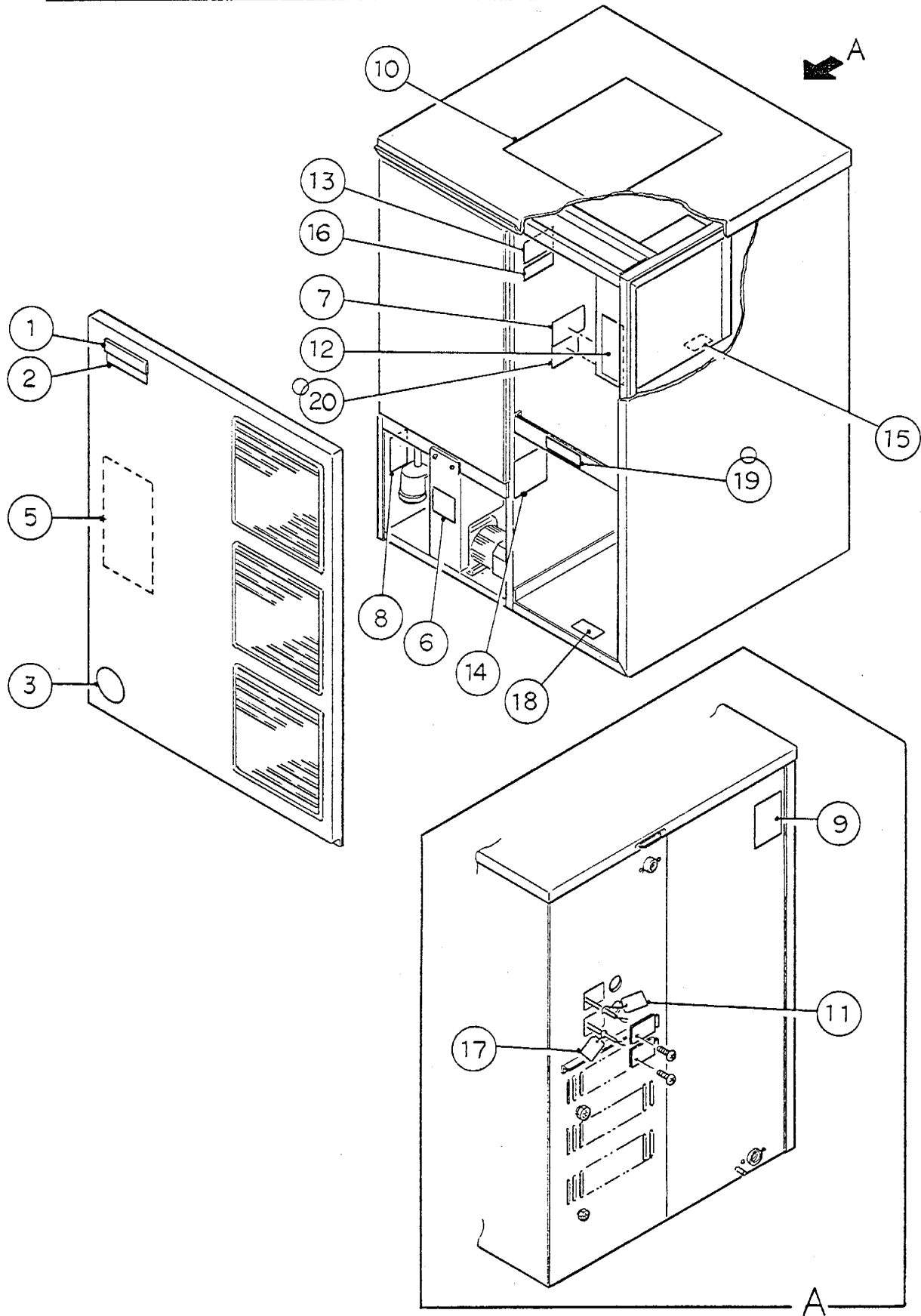
MODEL		TITLE						
KM-1200MWB		E. LABEL LOCATION						
INDEX NO.	DESCRIPTION	MATERIAL OR MODEL NUMBER	PART NUMBER	REQ'D NUMBER				
				J-1	K-0	K-1	K-2	A-0
1	Emblem (L) - HOSHIZAKI	ABS	418634G01	1	1	1	1	1
2	Model Number Label	PETP Film	436041-11	1	1	1	1	1
3	Label - Penguin (R)	PVC Film	410994-01	1	1	1	1	1
4	Maintenance Label (B)	PVC Film	4A0071-01			o 1	-	
5	Maintenance Label	PVC Film	322747-01	1	1	1	-	
			325975-01				1	1
6	Warning Label - Danger	PVC Film	425322-01	1	1	1	1	1
7	Wiring Label	PVC Film	322745-01	1	-			
			324325-01		1	1	-	
			325465-01				1	1
8	Manual Label - Float Switch	PVC Film	427043-01	1	1	1	1	1
9	Nameplate	PES Film	435163-01	1	1	x 1		
						o 2	2	2
10	Instruction Sheet	Paper	212702-01	1	1	1	1	1
11	Tag - Warning: Electrical Connection	Paper	428430-01	1	1	1	1	1
12	Manual Label	PVC Film	434935-01	1	1	1	1	1
13	Rating Label	PES Film	435311-01	1	1	x 1		
14	Manual Label - Bin Control	-	322846-01	1	1	1	1	1
15	Label - R502	PES Film	4A0026-01	1	1	1	1	1
16	Caution Lable	PVC Film	436198-01	o 1	1	1	1	1
17	Label - Switch	PVC Film	436248-01	o 1	1	1	1	1
18	Operation Label - Valve	-	439541-01				1	1

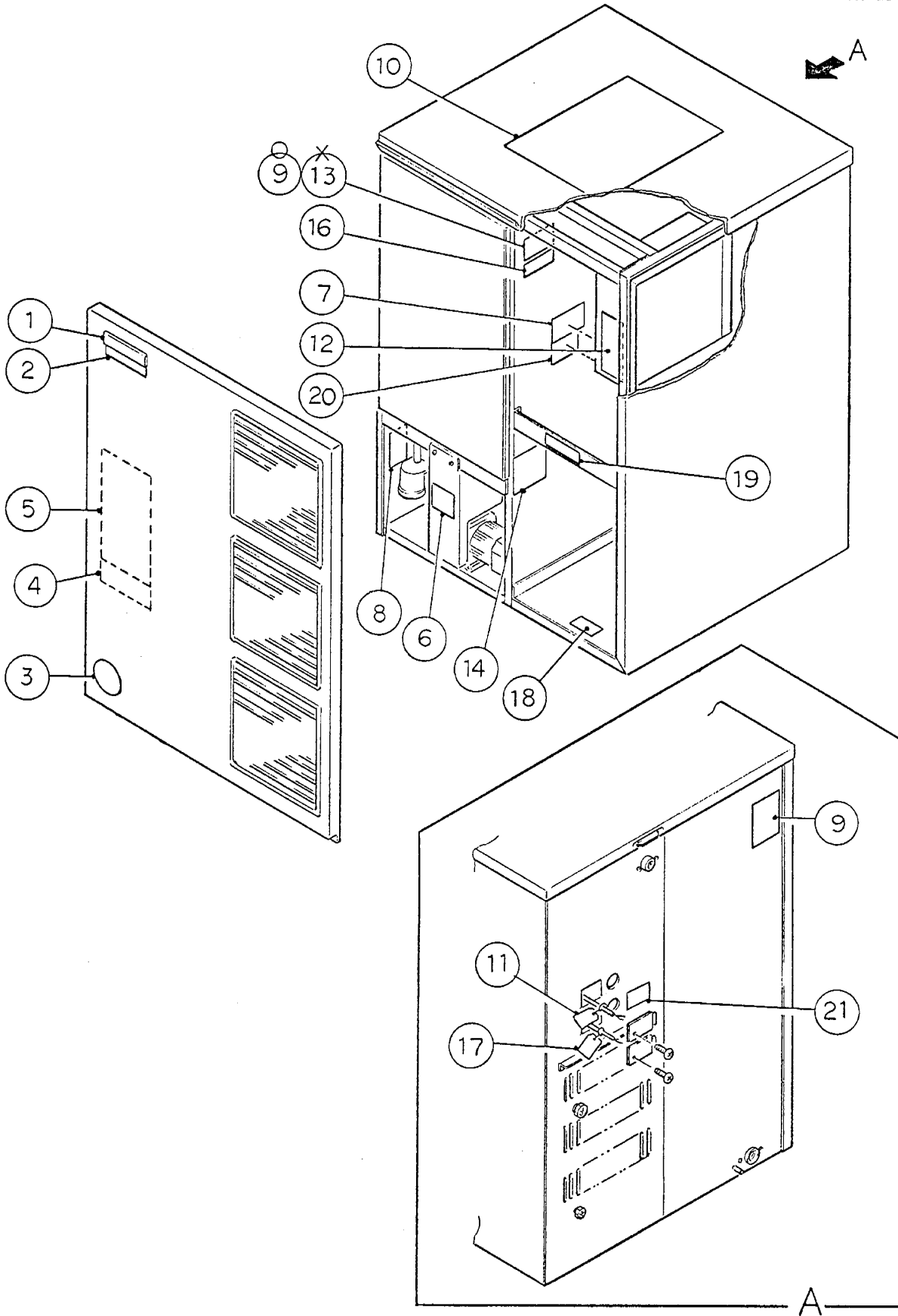
E

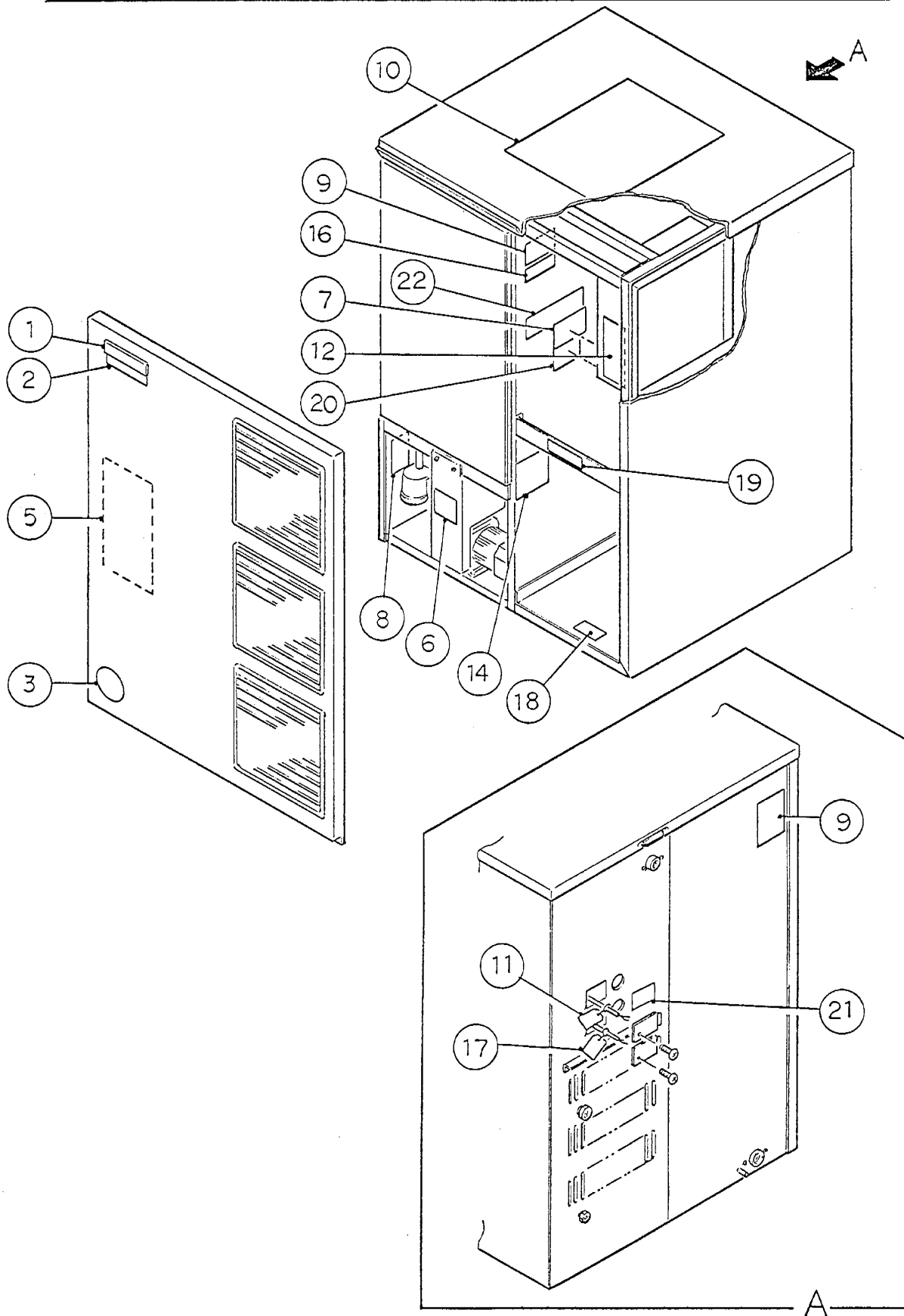
HA

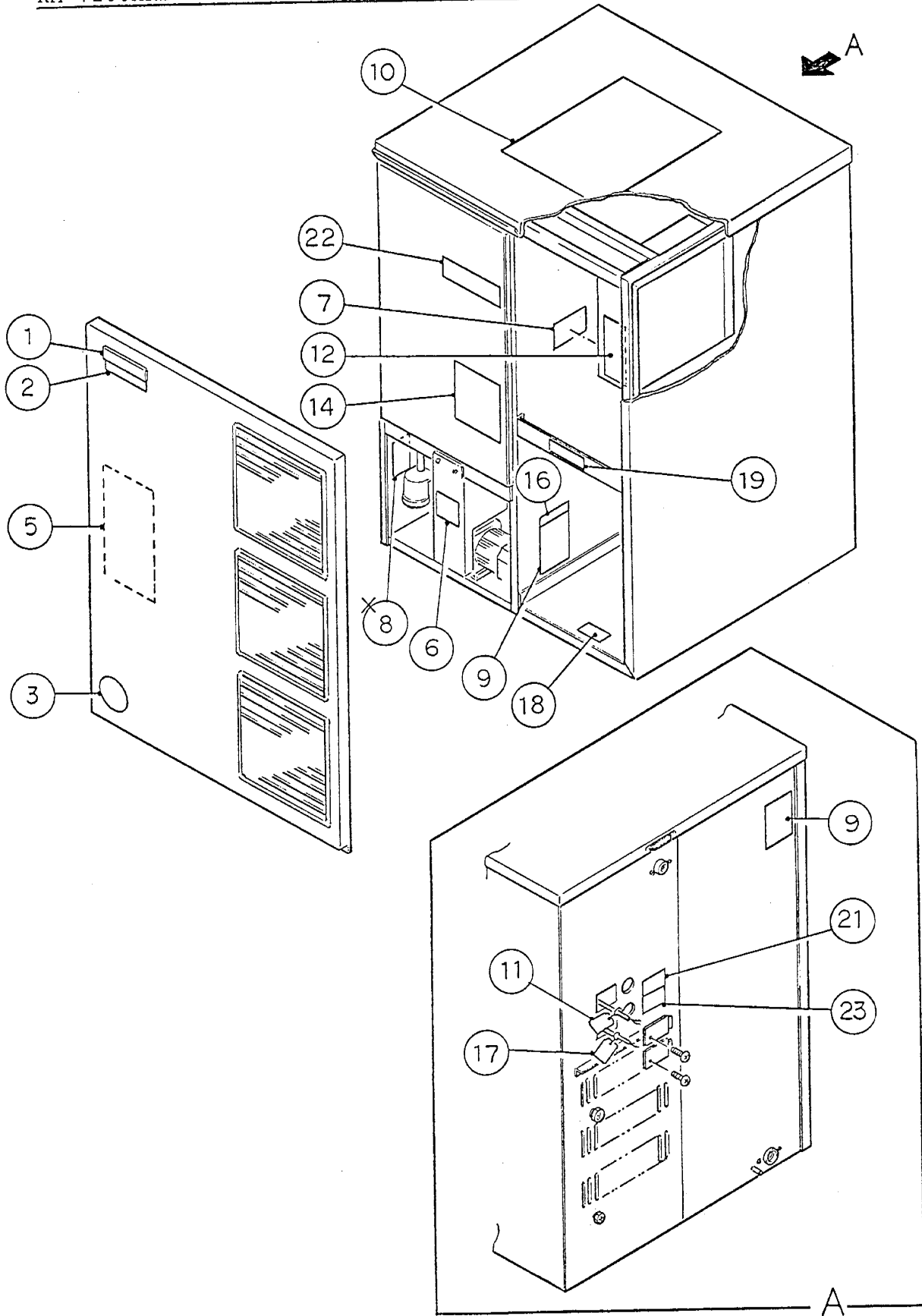
MODEL		TITLE		REQ'D NUMBER			
KM-1200MWB		E. LABEL LOCATION		A-1	B-0	B-1	
INDEX NO.	DESCRIPTION	MATERIAL OR MODEL NUMBER	PART NUMBER				
1	Emblem (L) - HOSHIZAKI	ABS	418634G01	1	1	1	
2	Model Number Label	PETP Film	436041-11	1	1	1	
3	Label - Penguin (R)	PVC Film	410994-01	1	1	1	
4	-	-	-	-			
5	Maintenance Label	PVC Film	325975-01	1	1	1	
6	Warning Label - Danger	PVC Film	425322-01	1	1	1	
7	Wiring Label	PVC Film	325465-01	1	1	-	
			328083-01			1	
8	Manual Label - Float Switch	PVC Film	427043-01	1	1	x 1	
9	Nameplate	PES Film	440291-01	2	2	2	
10	Instruction Sheet	Paper	212702-01	1	1	1	
11	Tag - Warning: Electrical Connection	Paper	428430-01	1	1	1	
12	Manual Label	PVC Film	434935-01	1	1	-	
			324476-01			1	
13	-	-	-	-			
14	Manual Label - Bin Control	-	322846-01	1	1	1	
15	Label - R502	PES Film	4A0026-01	1	1	1	
16	Caution Lable	PVC Film	436198-01	1	1	1	
17	Label - Switch	PVC Film	436248-01	1	1	-	
18	Operation Label - Valve	-	439541-01	1	1	1	

E









HA

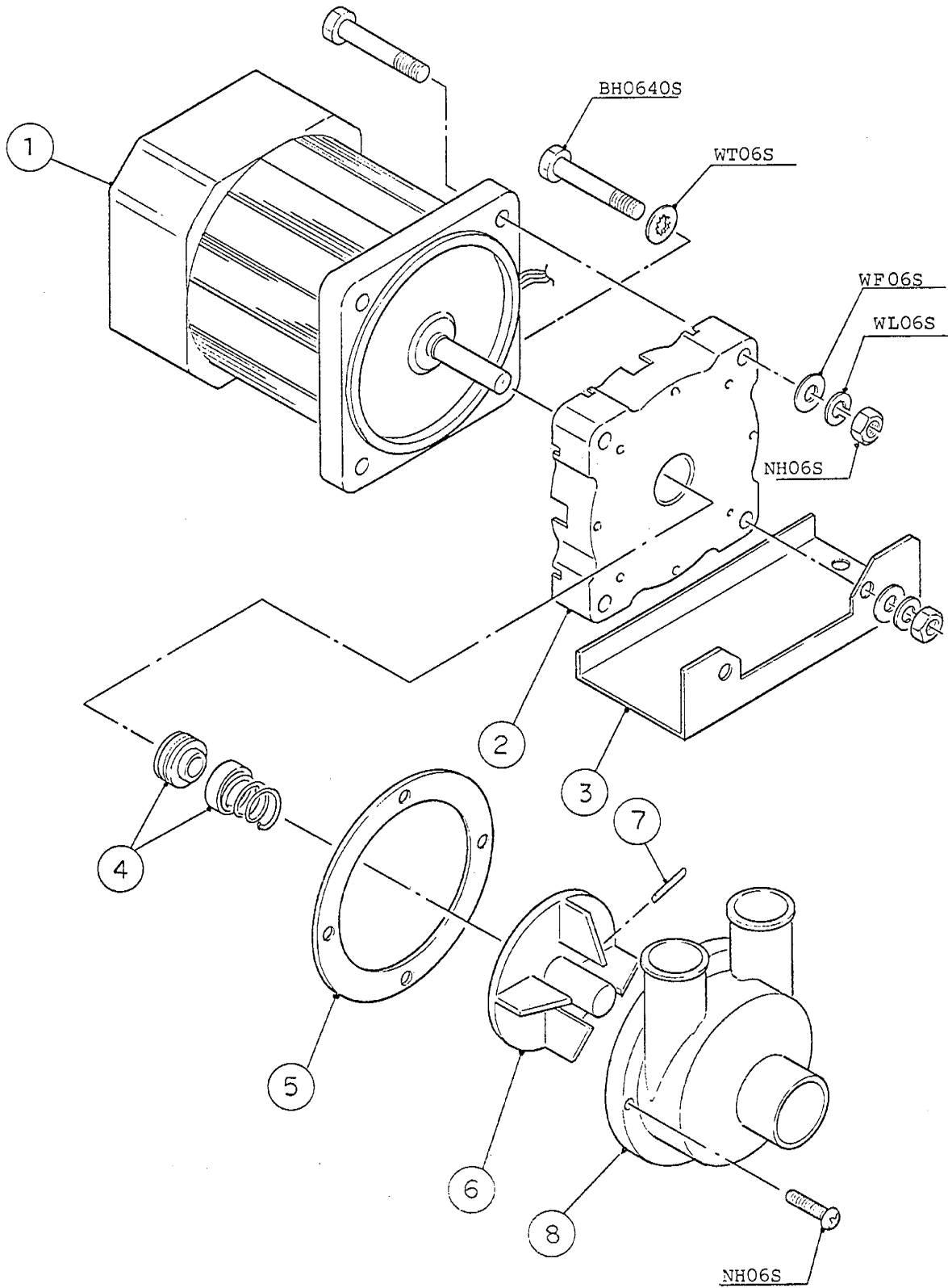
MODEL		TITLE						
KM-1200MRB		E. LABEL LOCATION						
INDEX NO.	DESCRIPTION	MATERIAL OR MODEL NUMBER	PART NUMBER	REQ'D NUMBER				
				J-1	K-0	K-1	K-2	A-0
1	Emblem (L) - HOSHIZAKI	ABS	418634G01	1	1	1	1	1
2	Model Number Label	PETP Film	436041-12	1	1	1	1	1
3	Label - Penguin (R)	PVC Film	410994-01	1	1	1	1	1
4	Maintenance Label (B)	PVC Film	4A0071-01			o 1	-	
5	Maintenance Label	PVC Film	322747-01	1	1	1	-	
			325975-01				1	1
6	Warning Label - Danger	PVC Film	425322-01	1	1	1	1	1
7	Wiring Label	PVC Film	322746-01	1	1	-		
			324326-01			1	-	
			325467-01				1	1
8	Manual Label - Float Switch	PVC Film	427043-01	1	1	1	1	1
9	Nameplate	PES Film	435164-01	1	1	x 1		
						o 2	2	2
10	Instruction Sheet	Paper	212702-01	1	1	1	1	1
11	Tag - Warning: Electrical Connection	Paper	428430-01	1	1	1	1	1
12	Manual Label	PVC Film	434935-01	1	1	1	1	1
13	Rating Label	PES Film	435310-01	1	1	x 1		
14	Manual Label - Bin Control	-	322846-01	1	1	1	1	1
15	Pressure Sw. Label	-	435323-01	1	1	-		
16	Label - Charge	PES Film	434362-07	1	1	-		
			434362-10			1	1	1
17	Tag - Fan Motor Leads	Paper	420742-01	1	1	1	1	1
18	Label - R502	PES Film	4A0026-01	1	1	1	1	1
19	Caution Label	PVC Film	436198-01	o 1	1	1	1	1
20	Label - Switch	PVC Film	436248-01	o 1	1	1	1	1
21	Label - Connection	PVC Film	438234-01			o 1	1	1
22	Operation Label - Valve	-	439541-01				1	1

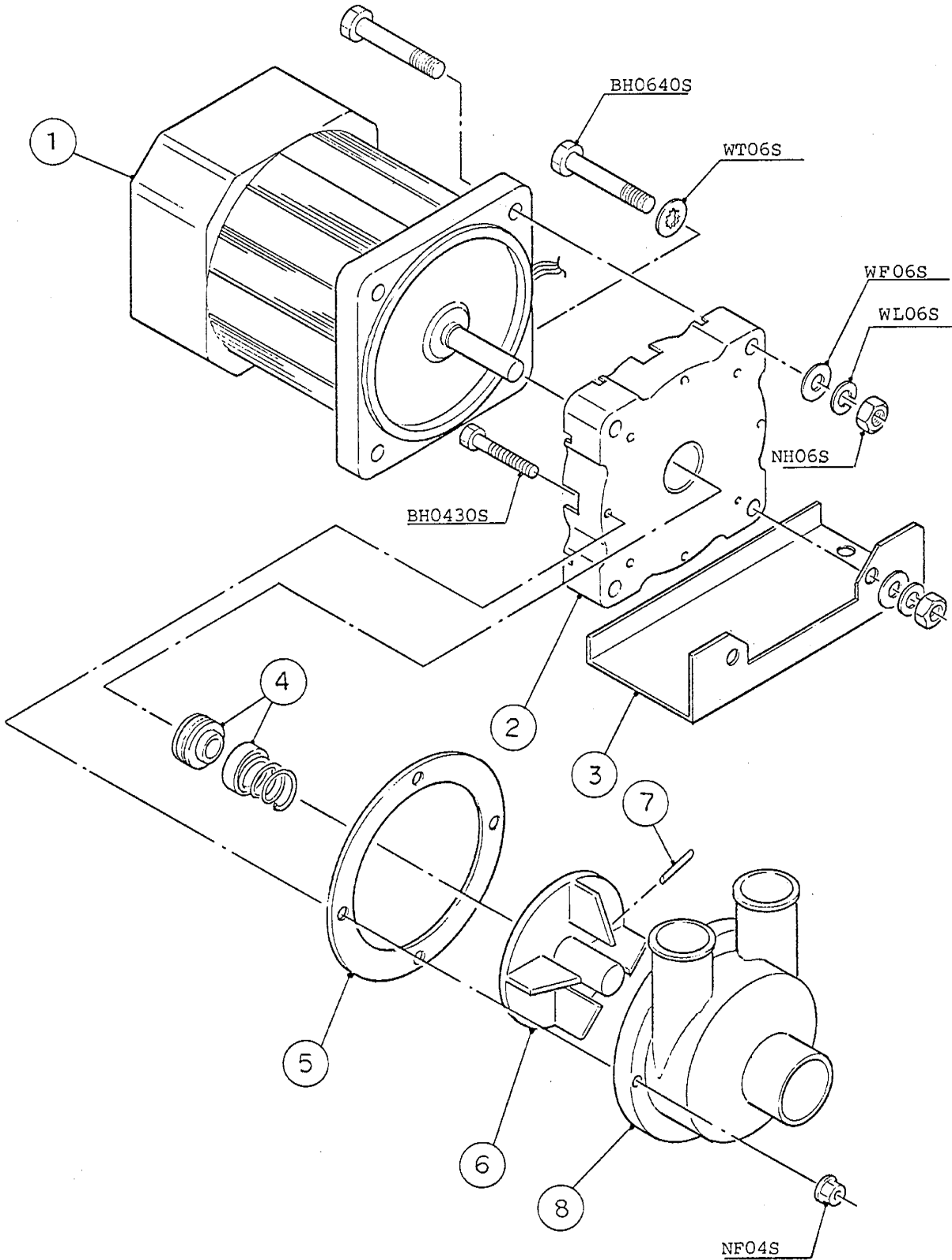
E

HA

MODEL		TITLE					
KM-1200MRB		E. LABEL LOCATION					
INDEX NO.	DESCRIPTION	MATERIAL OR MODEL NUMBER	PART NUMBER	REQ'D NUMBER			
				A-1	B-0	B-1	
1	Emblem (L) - HOSHIZAKI	ABS	418634G01	1	1	1	
2	Model Number Label	PETP Film	436041-12	1	1	1	
3	Label - Penguin (R)	PVC Film	410994-01	1	1	1	
4	-	-	-	-			
5	Maintenance Label	PVC Film	325975-01	1	1	1	
6	Warning Label - Danger	PVC Film	425322-01	1	1	1	
7	Wiring Label	PVC Film	325467-01	1	1	-	
			328085-01			1	
8	Manual Label - Float Switch	PVC Film	427043-01	1	1	x 1	
9	Nameplate	PES Film	440292-01	2	2	2	
10	Instruction Sheet	Paper	212702-01	1	1	1	
11	Tag - Warning: Electrical Connection	Paper	428430-01	1	1	1	
12	Manual Label	PVC Film	434935-01	1	1	-	
			324476-01			1	
13	-	-	-	-			
14	Manual Label - Bin Control	-	322846-01	1	1	1	
15	-	-	-	-			
16	Label - Charge	PES Film	434362-10	1	1	1	
17	Tag - Fan Motor Leads	Paper	420742-01	1	1	1	
18	Label - R502	PES Film	4A0026-01	1	1	1	
19	Caution Label	PVC Film	436198-01	1	1	1	
20	Label - Switch	PVC Film	436248-01	1	1	-	
21	Label - Connection	PVC Film	438234-01	1	1	1	
22	Operation Label - Valve	-	439541-01	1	1	1	
23	Caution Label		441890-01			1	

E





HA

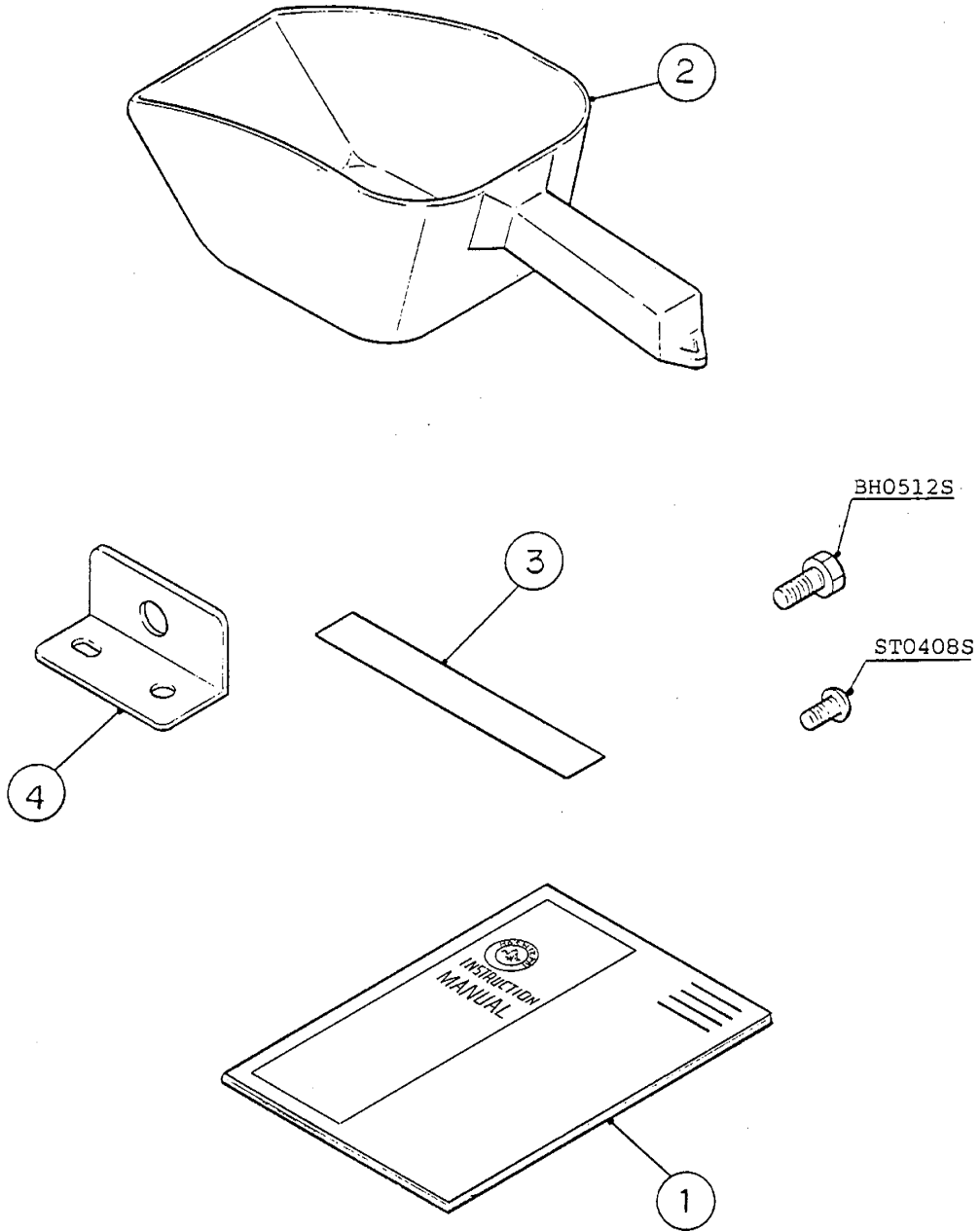
MODEL		TITLE			REQ'D NUMBER				
KM-1200M ALL		F. PUMP MOTOR ASSY			J-1	K-0	K-1	K-2	A-0
INDEX NO.	DESCRIPTION	MATERIAL OR MODEL NUMBER	PART NUMBER	J-1	K-0	K-1	K-2	A-0	
1	Pump Motor	M91A60SP201	2U0106-01	1	1	1	1	1	
2	Pump Flange	PC	320174-01	1	1	1	1	x 1	
			215662-01					o 1	
3	Pump Motor Bracket	S. S	435057-01	1	1	1	1	1	
4	Mechanical Seal	H5-PN, 8mm	428545-01	1	1	1	1	1	
5	Packing	EPDM	428547-01	1	1	1	1	1	
6	Impeller	ABS	428548-01	1	1	1	1	1	
7	Pin	S. S	414102-01	1	1	1	1	1	

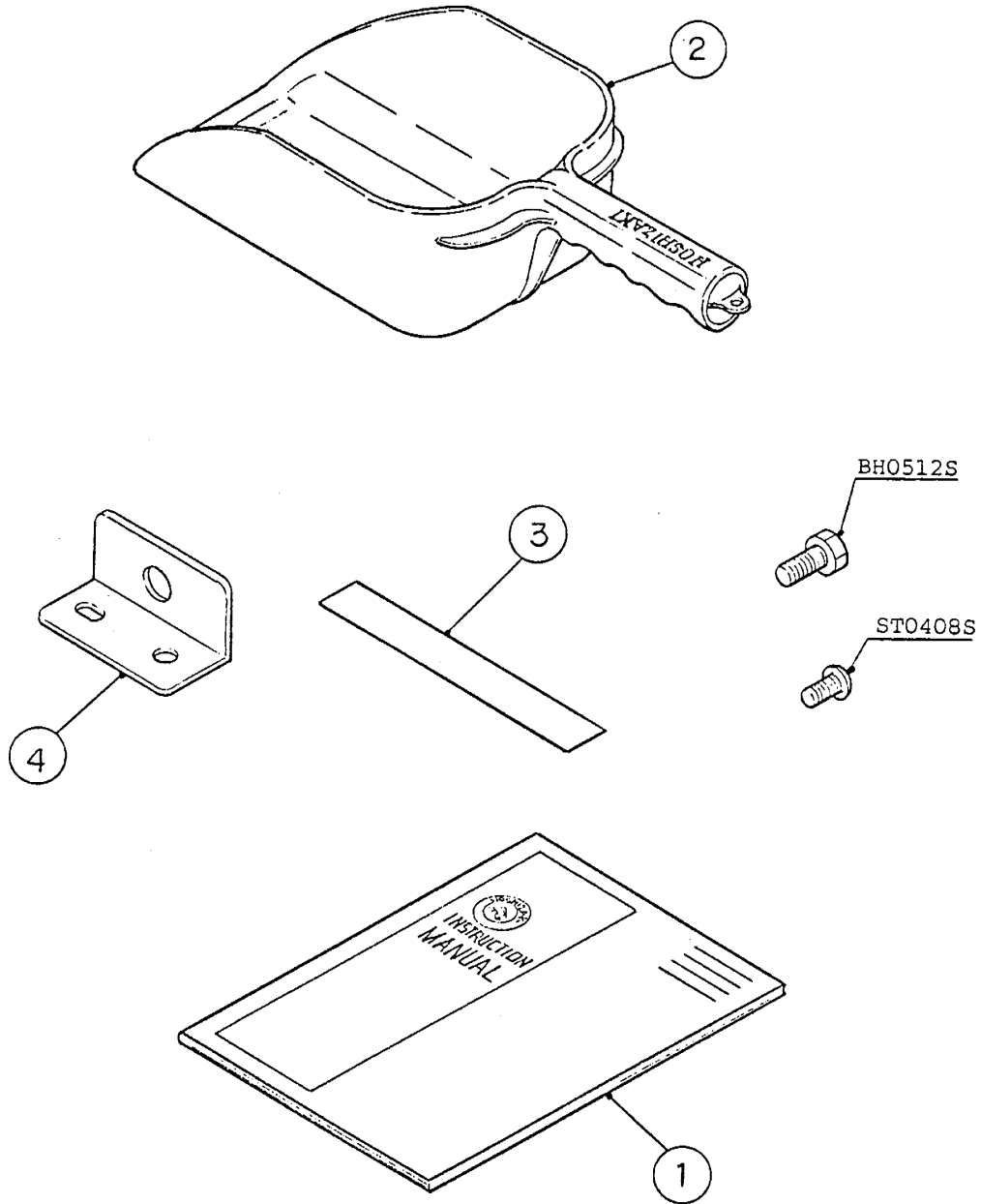
E

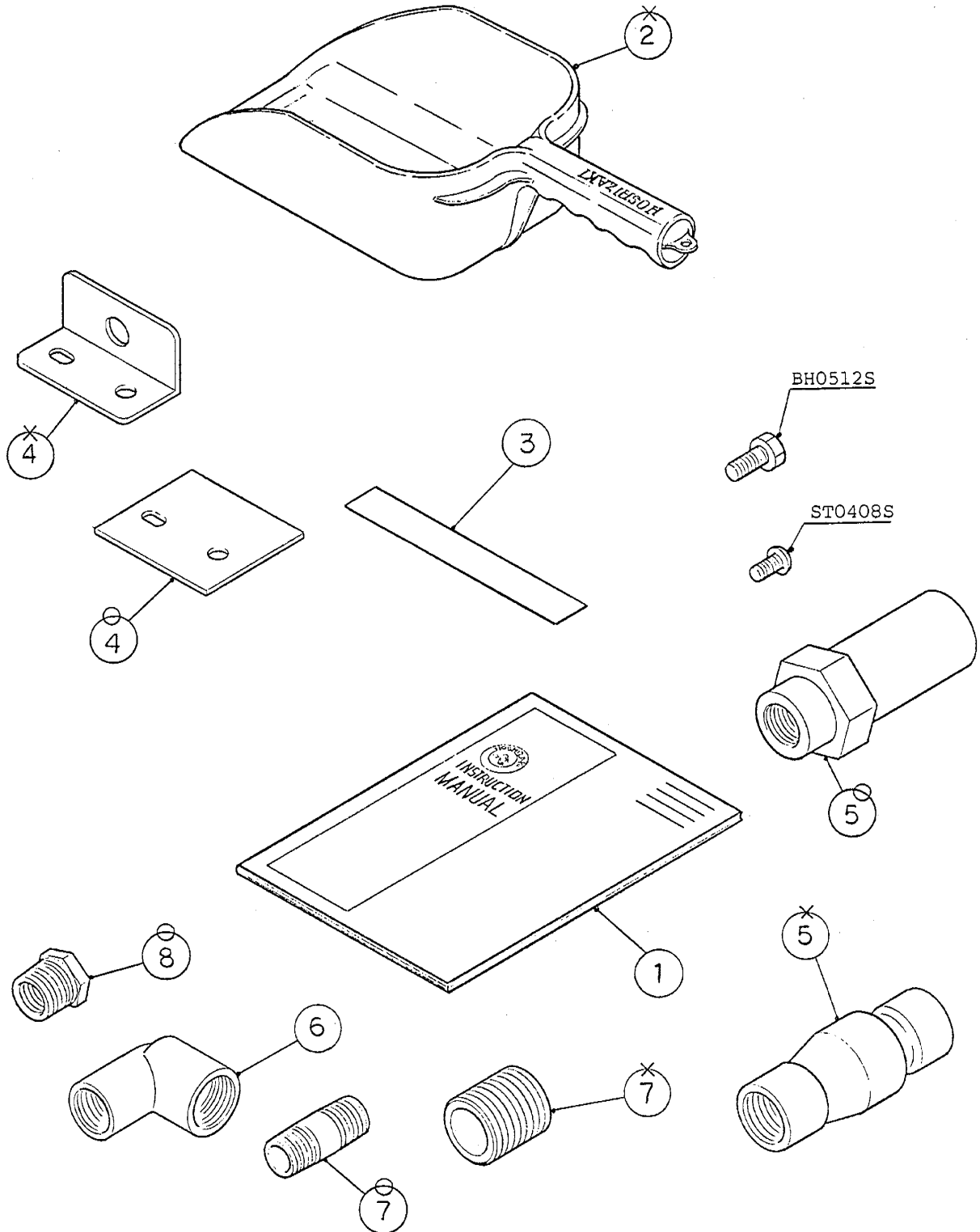
HA

MODEL		TITLE					
KM-1200M ALL		F. PUMP MOTOR ASSY					
INDEX NO.	DESCRIPTION	MATERIAL OR MODEL NUMBER	PART NUMBER	REQ'D NUMBER			
				A-1	B-0	B-1	
1	Pump Motor	M91A60SP201	2U0106-01	1	1	1	
2	Pump Flange	PC	215662-01	1	1	1	
3	Pump Motor Bracket	S. S	435057-01	1	1	1	
4	Mechanical Seal	H5-PN. 8mm	428545-01	1	1	1	
5	Packing	EPDM	428547-01	1	1	1	
6	Impeller	ABS	428548-01	1	1	1	
7	Pin	S. S	414102-01	1	1	1	
8	Pump Housing	ABS	212636-01	1	1	1	

E







HA

MODEL		TITLE						
KM-1200M ALL		G. ACCESSORIES						
INDEX NO.	DESCRIPTION	MATERIAL OR MODEL NUMBER	PART NUMBER	REQ'D NUMBER				
				J-1	K-0	K-1	K-2	A-0
1	Instruction Manual	Paper	91U1JG10A	1	1	x 1		
			91U1JG10B			o 1	1	1
2	Scoop	PE	208185-01	x 1				
		PS	437625-01	o 1	1	1	1	1
3	Label - Fastener	Paper	427122-01	1	1	1	1	1
4	Brace	G. S	433469-01	2	2	2	2	2

E

HA

MODEL		TITLE					
KM-1200M ALL		G. ACCESSORIES					
INDEX NO.	DESCRIPTION	MATERIAL OR MODEL NUMBER	PART NUMBER	REQ'D NUMBER			
				A-1	B-0	B-1	
1	Instruction Manual	Paper	91U1JG10C	1	1	1	
2	Scoop	PS	437625-01	1	-		
3	Label - Fastener	Paper	427122-01	1	1	1	
4	Brace	G. S	433469-01	2	2	x 2	
			3A0138-01			o 2	
5	Check Valve	-	439660-01	1	1	x 1	
			4A0168-01			o 1	
6	Elbow	-	439661-01	1	1	1	
7	Nipple	-	439662-01	1	1	x 1	
			4A0165-01			o 1	
8	Reducer Bushing		4A0169-01			o 1	

E

MODULAR CRESCENT CUBER

MODEL

KM-1200MAB

KM-1200MWB

KM-1200MRB

FINAL PARTS LIST

ISSUED: NOV. 1, 1988

REVISED: MAR. 8, 1993

PRINTED: SEPT. 1994

ITEM NO: 71058