



***Manitowoc***  
**Foodservice**  
**Parts Manual**

For more Parts Information:

<https://manitowocfsg.sysonline.com/Default.aspx>

# TABLE OF CONTENTS

Manitowoc Foodservice [Updated: Sep. 30, 2013]

Manitowoc - Ice & Related

Parts Catalog

Ice Machine

Indigo Series

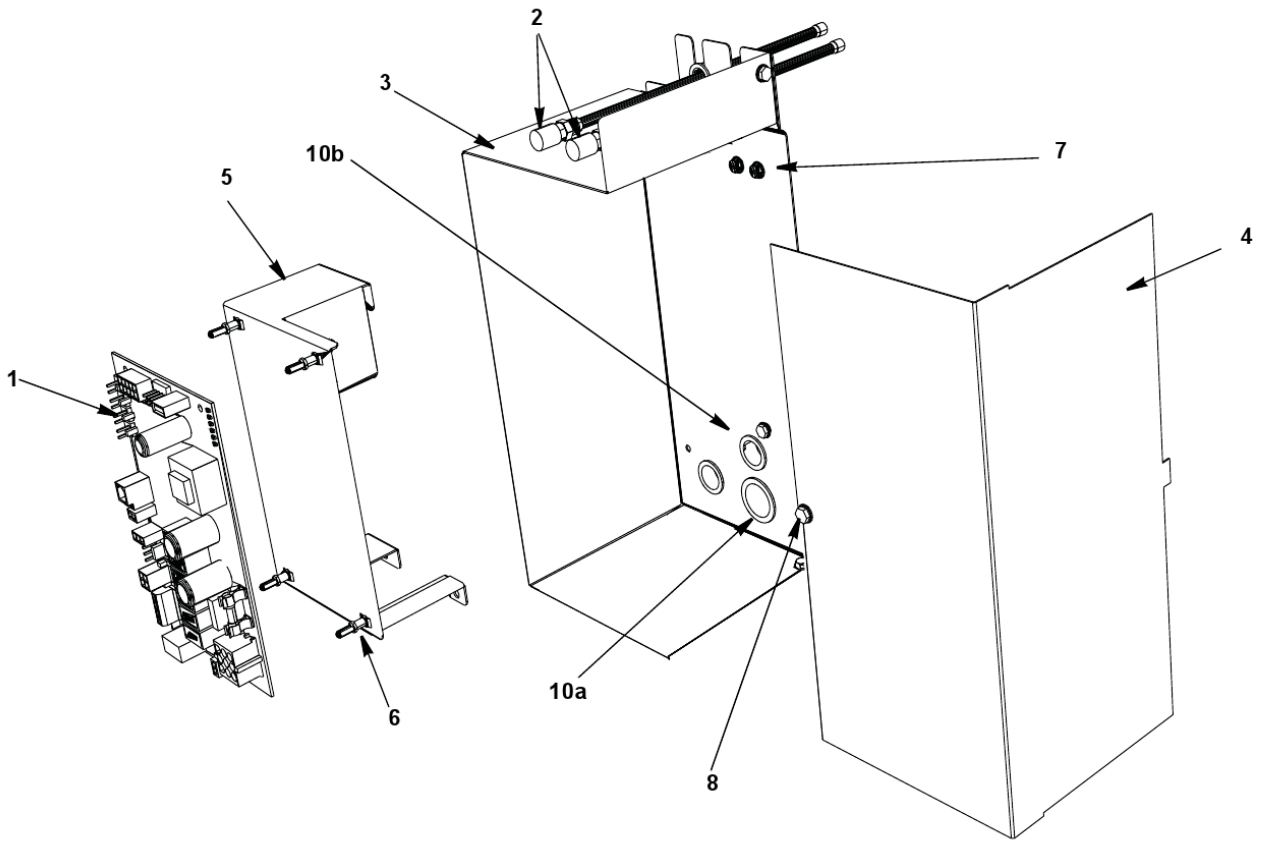
Indigo Model - QuietQube

i0686C, iCVD0696 Indigo

i0686C Head Section - Control Box Components .....	1
i0686C Evaporator Compartment - Common Components .....	3
i0686C Refrigeration Compartment - Common Components View 1 .....	6
i0686C Refrigeration Compartment - Common Components View 2 .....	8
i0686C Head Section - Panels .....	10
iCVD0696 Condensing Unit - Refrigeration Components .....	12
iCVD0696 Condensing Unit - Panels .....	15

# i0686C, iCVD0696 Indigo

## I0686C HEAD SECTION - CONTROL BOX COMPONENTS



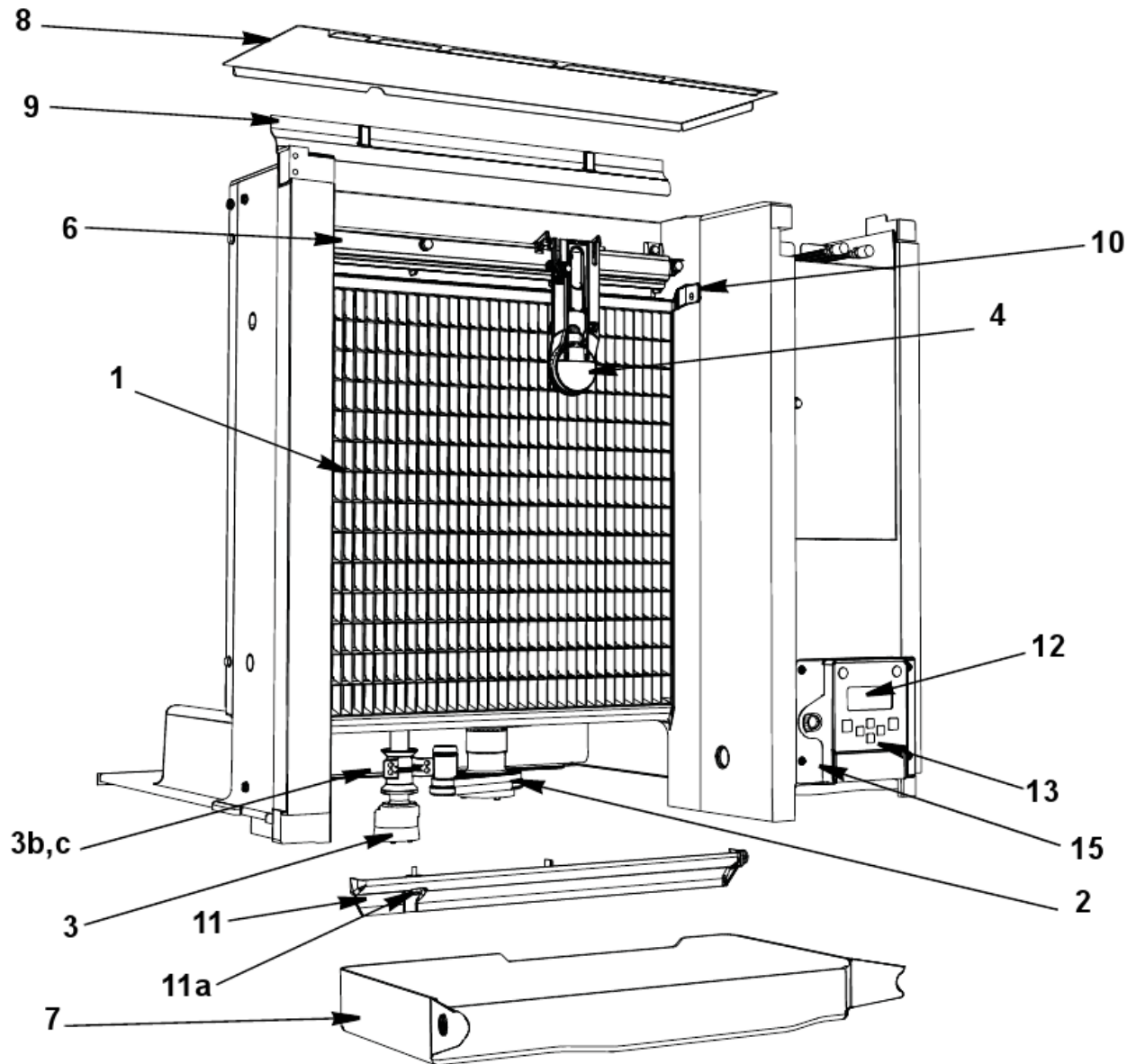
# i0686C, iCVD0696 Indigo

## I0686C HEAD SECTION - CONTROL BOX COMPONENTS

#	PART #	DESCRIPTION	QTY	Note
1	000008309	Control Board		
1a	000009181	8 amp Ceramic Fuse - Mounted on Control Board		
2	8373263	Refrigeration Service Valve Assembly		
3	000008279	Control Box		
4	000010421	Control Box Cover		
5	000007564	Control Board Mounting Bracket		
6	4302253	Control Board Mounting Supports		
7	5202169	Screw - #10-24 x 0.50" Ground		
7a	5573209	Star Washer		
8	5202069	Screw - #10-24 x 0.50" HEX		
9	5573209	Star Washer		
10		Control Box Bushings		
10a	2500019	Bushing - 1.187"		
10b	2501409	Bushing - 0.875"		
11		Control Box Wiring Harness		
11a	000007182	Control Box Wiring Harness - 115V/60 Hz/1 Ph		
11b	000007183	Control Box Wiring Harness - 230V/50 Hz/1 Ph		
12		Refrigeration Compartment Wiring Harness		
12a	000007187	Wiring Harness - Refrigeration Compartment - 230V/50 Hz/1 Ph		
12b	000007187	Wiring Harness - Refrigeration Compartment - 230V/50 Hz/1 Ph		

# i0686C, iCVD0696 Indigo

## I0686C EVAPORATOR COMPARTMENT - COMMON COMPONENTS



# i0686C, iCVD0696 Indigo

## I0686C EVAPORATOR COMPARTMENT - COMMON COMPONENTS

#	PART #	DESCRIPTION	QTY	Note
1		Evaporator Assembly		
1a	7602839	Evaporator - Dice Cube		
1b	7602849	Evaporator - Half Dice Cube		
2		Water Pump		
2a	8251129	Water Pump - 115V/60 Hz		
2b	8252109	Water Pump - 230V/50-60 Hz		
3	000007052	Water Level Probe		
3a	000007099	Wire - Control Box to Probe		
3b	000007053	Water Level Probe - Holder		
3c	5202099	Screw - #10-24 x 0.50" PHIL		[1]
4	000008660	Ice Thickness Control Probe		
5	4010979	Water Curtain		
6	7602193	Water Distribution Tube - 30" Models		
6a	5004649	O-Rings		[2]
7		Water Trough - See Note for Details		
7a	4003609	Water Trough		[3]
7b	000010337	Water Trough		[4]
8	000009055	Foodzone Seal Panel		
9	4008469	Evaporator Top Filler Panel		
9a	6063339	Bracket - Top Filler Panel		
9b	5202099	Screw - #10-24 x 0.50" PHIL		
10	7602203	Evaporator Top Frame Assembly		
11	7602213	Water Diverter - 30" Models		
11a	5305123	Thumbscrew SS - #8-32 x 0.44"		
12	000006728	LCD Display		
13	000007926	Touch Pad with Housing		
14	000007737	LCD Wiring Harness - 30" Long		
15	000006697	Touch Pad/Housing Mounting Bracket		
16		Front Panel LCD Frame		
16a	000006647	LCD Frame with Key Guard		
16b	000006564	LCD Frame without Key Guard		
16c	K00433	Display Cover		[5]
17	000006700	Ice Deflector		
18	5004799	Thumbscrew SS - #8-32 x 0.375"		[6]
18a	5004629	O-Ring - 0.125" ID		
19	5004619	Screw - #12-16 x 0.687"		
20	5004659	Water Pump Base O-Ring - 4.00" ID		
21	5004679	Water Pump Outlet O-Ring - 0.875" ID		

**PART NOTES:**

- [1] - Mount Water Level Probe Holder
- [2] - Back of Distribution Assembly

# i0686C, iCVD0696 Indigo

## I0686C EVAPORATOR COMPARTMENT - COMMON COMPONENTS

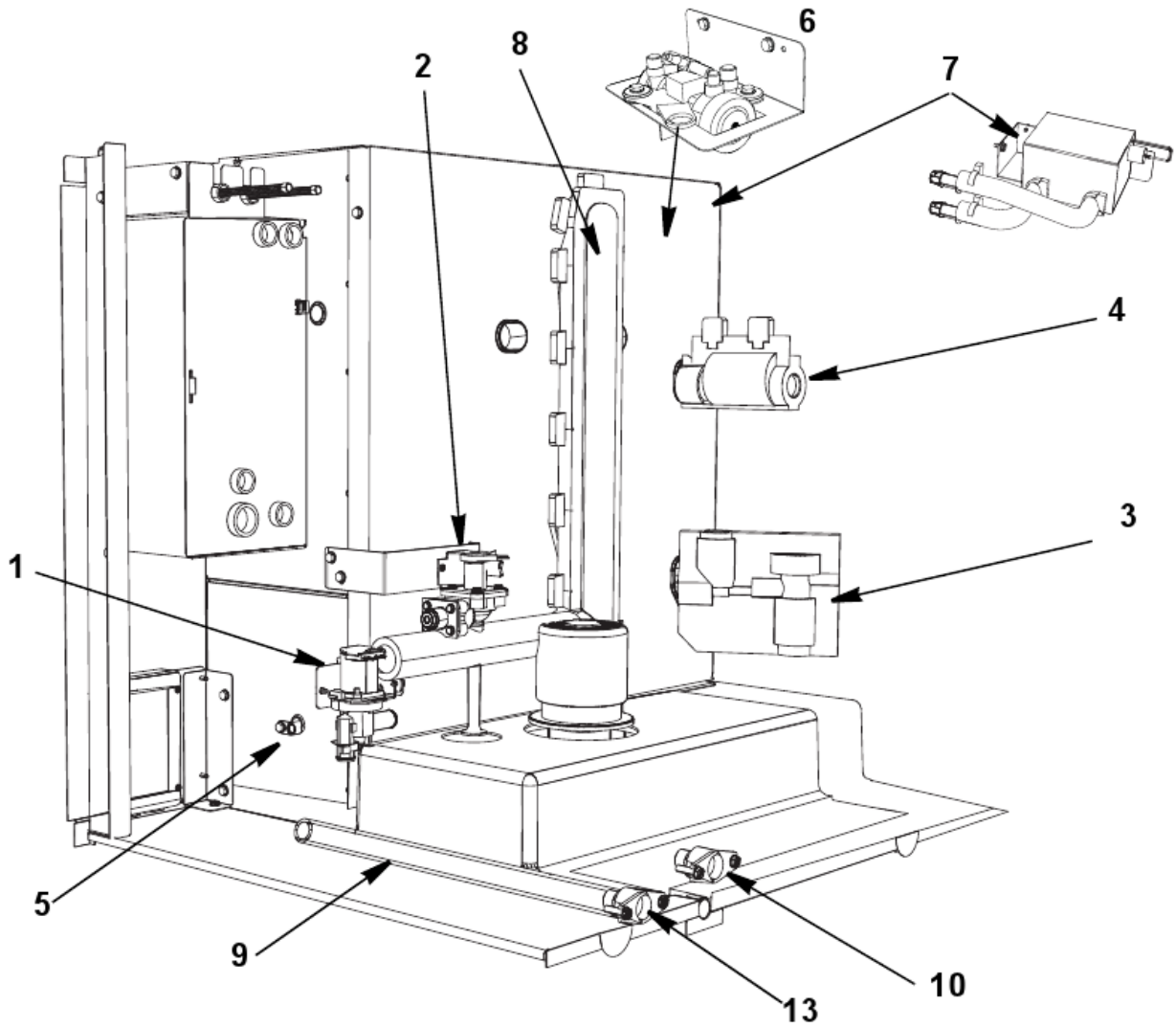
#	PART #	DESCRIPTION	QTY	Note
---	--------	-------------	-----	------

**PART NOTES:**

- [3] - Before Serial Number 1101224319  
  \water trough.jpg" width=313 height=169>
- [4] - After Serial Number 1101224319  
  \water trough with tabs.jpg" width=355 height=194>
- [5] - hides the display completely
- [6] - Water Distribution Tube Mounting Each

# i0686C, iCVD0696 Indigo

## I0686C REFRIGERATION COMPARTMENT - COMMON COMPONENTS VIEW 1





# i0686C, iCVD0696 Indigo

## I0686C REFRIGERATION COMPARTMENT - COMMON COMPONENTS VIEW 1

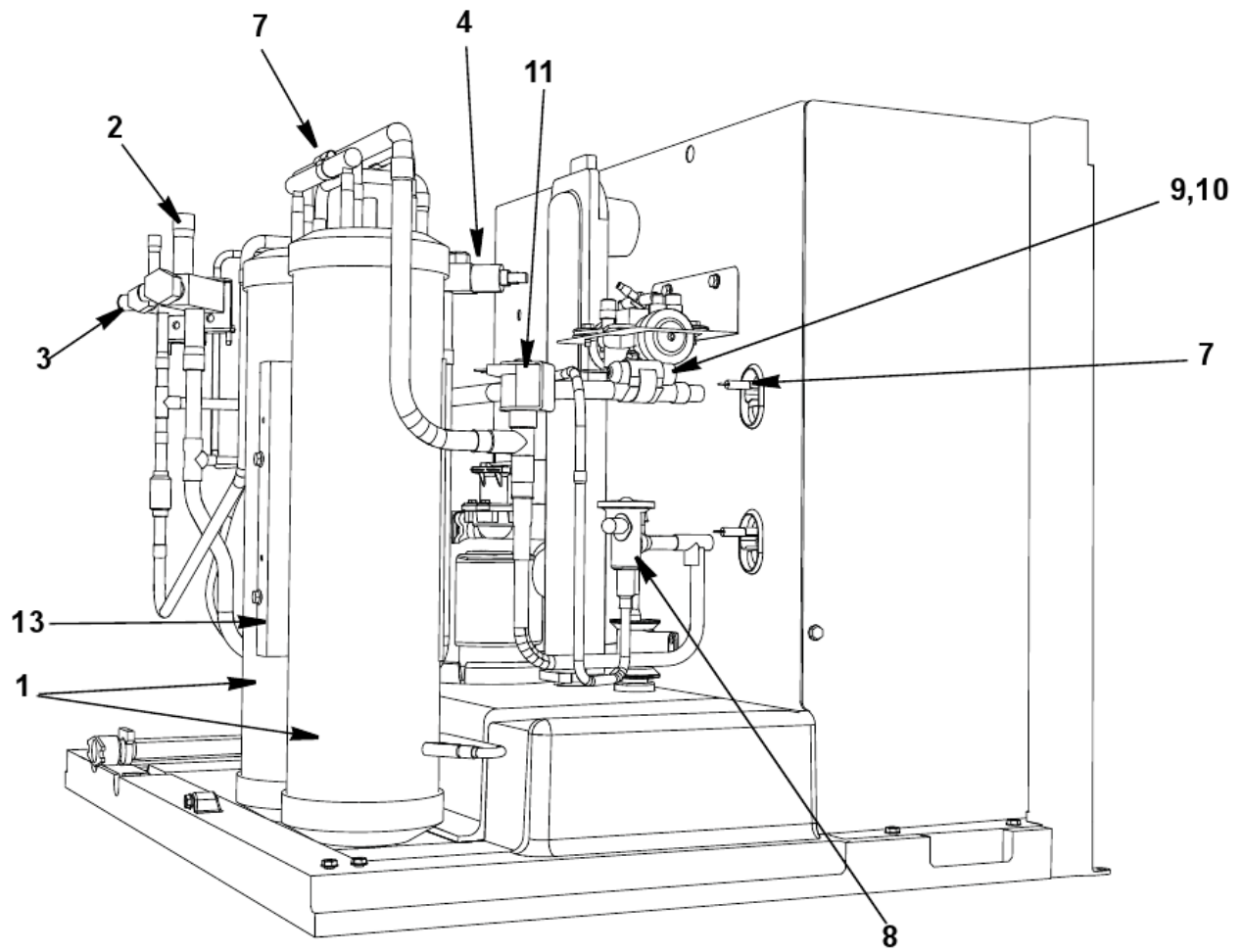
#	PART #	DESCRIPTION	QTY	Note
1		Water Dump Valve		[1]
1a	000001767	Water Dump Valve - 115V/60 Hz		
1b	000001768	Water Dump Valve - 208-230V/50-60 Hz		
1c	6058459	Water Dump Valve Mounting Bracket		
1d	4420383	Clear Tubing - 0.625" ID		
2		Water Inlet Valve		
2a	000007965	Water Inlet Valve - 115V/60 Hz/1 Ph		
2b	000007966	Water Inlet Valve - 208-230V/50-60 Hz		
2c	000007594	Water Inlet Valve Bracket		
3	4000363	Valve Insulation Boot - Body		
4	4007203	Valve Insulation Boot - Bulb		[2]
5	000007888	Magnetic Bin Switch		
5a	000007410	Bin Switch Wiring Harness		
6		Air Assist		
6a	000007222	Air Assist - 115V/60 Hz		
6b	000007223	Air Assist - 230V/50-60 Hz		
6c	4011739	Air Manifold		[3]
6d	000006489	Air Assist Bracket		
6e	3001453	Air Assist Nozzle		
7	K00424	LuminIce		
7a	K00425	LuminIce Bulb		
7b	000007409	LuminIce Wiring Harness		
7c	000007990	Bulkhead Fitting 2.25"		
7d	000008269	Bulkhead Fitting 2.75"		
8	000003405	Insulated Tube		[4]
8a	5650609	Snap Clamp - 1.0" ID		
8b	5650709	Snap Clamp - 0.799"/0.899" ID		
9	000001382	Vinyl Tubing 0.625" ID		[5]
9a	6038831	Insulation 0.88 ID X 0.25W X 13.50L		
9b	5650709	Snap Clamp - 0.799"/0.899" ID		
10	8706093	Female Wing Adapter - 0.375"		
10a	1360961	Male Connector		
11	4010439	Tubing - Water Inlet Valve		[6]
12	1360989	Connector - Water Inlet Valve		
13	8706133	Female Wing Adapter - 0.50"		
14	5202069	Screw - #10-24 x 0.50" HEX		

**PART NOTES:**

- [1] - with bracket
- [2] - \pages from 400720\_08.jpg" width=923 height=583>
- [3] - Air Pump Tubing Outlet
- [4] - vinyl tubing from distribution tube to water pump & dump valve
- [5] - dump valve to drain adapter
- [6] - \pages from 401043\_05.jpg" width=1797 height=2238>

# i0686C, iCVD0696 Indigo

## I0686C REFRIGERATION COMPARTMENT - COMMON COMPONENTS VIEW 2



# i0686C, iCVD0696 Indigo

## I0686C REFRIGERATION COMPARTMENT - COMMON COMPONENTS VIEW 2

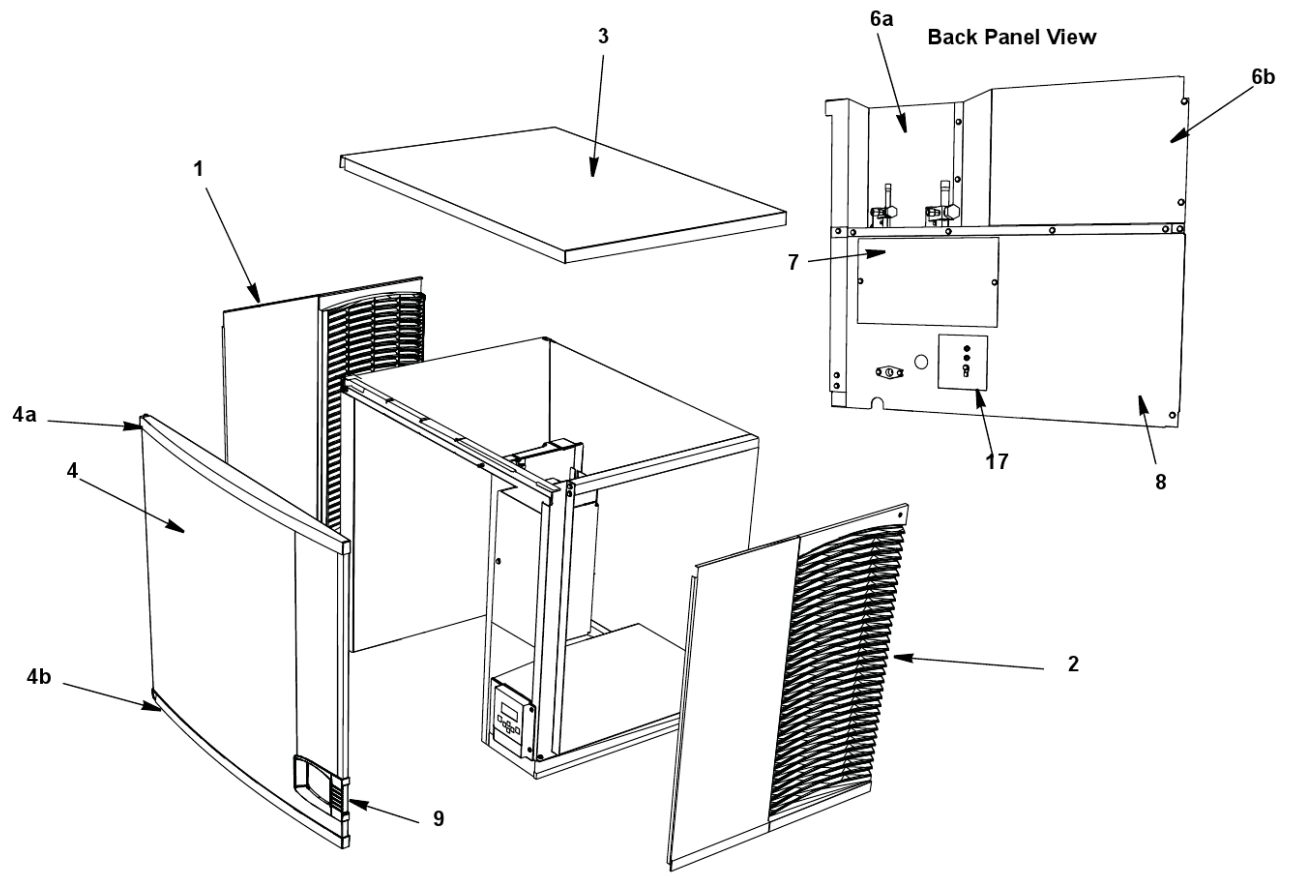
#	PART #	DESCRIPTION	QTY	Note
1	8250583	Receiver		
2	8373303	Manual Shut-Off Valve - Suction Line		
2a	8373023	Valve Cap		
2b	4007403	Valve Insulation Boot - Body		[1]
2c	4007203	Valve Insulation Boot - Bulb		[2]
3	8373293	Manual Shut-off Valve - Liquid Line		
3a	8373023	Valve Cap		
4	8373169	Receiver Service Valve		
4a	5650753	Caps for Refrigeration Service Valve		
5		Liquid Line Solenoid Valve		
5a	7630001	Solenoid Valve with Electrical Coil - 115V/60 Hz		
5b	000005156	Danfoss Solenoid Valve Coil Only - 115V/60 Hz		[3]
5c	7630061	Solenoid Valve with Coil - 208-230V/50-60 Hz		
5d	000005157	Danfoss Solenoid Valve Coil Only - 230V/50-60 Hz		[4]
6	8930279	Drier		
7	000008310	Thermistor with Spring Clips		
8	7600193	Expansion Valve		
9	5650529	Clamp - Expansion Valve Bulb		
10	3000503	Strap - Expansion Valve Bulb - 0.5"		
11		Harvest Valve		
11a	7630051	Solenoid Valve with Coil - 115V/60 Hz		
11b	000005156	Danfoss Solenoid Valve Coil Only - 115V/60 Hz		[3]
11c	7630111	Solenoid Valve with Coil - 230V/50-60 Hz		
11d	000005157	Danfoss Solenoid Valve Coil Only - 230V/50-60 Hz		[4]
12	5650619	Screw Mounting Base		
13		Receiver Mounting		
13a	6000561	Receiver Mounting Bracket		
13b	6307214	Receiver Mounting Strap		
13c	000006731	Receiver Mounting Support Bracket		
13d	6058659	Base, Water Condenser/Receiver		
13e	5202069	Screw - #10-24 x 0.50" HEX		

**PART NOTES:**

- [1] - \pages from 400740\_02.jpg" width=362 height=281>
- [2] - \pages from 400720\_08.jpg" width=923 height=583>
- [3] - \pages from 000005156\_02.jpg" width=280 height=256>
- [4] - \pages from 000005156\_02.jpg" width=266 height=183>

# i0686C, iCVD0696 Indigo

## I0686C HEAD SECTION - PANELS



# I0686C, iCVD0696 Indigo

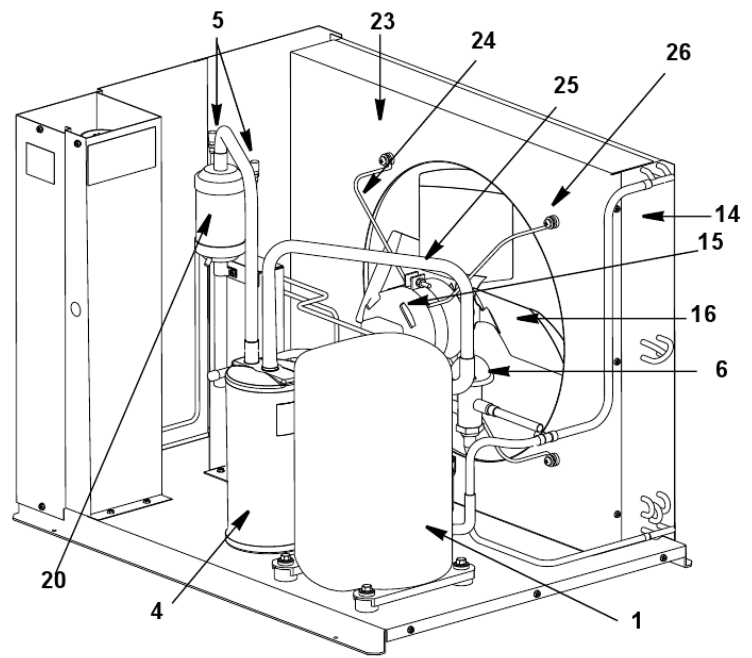
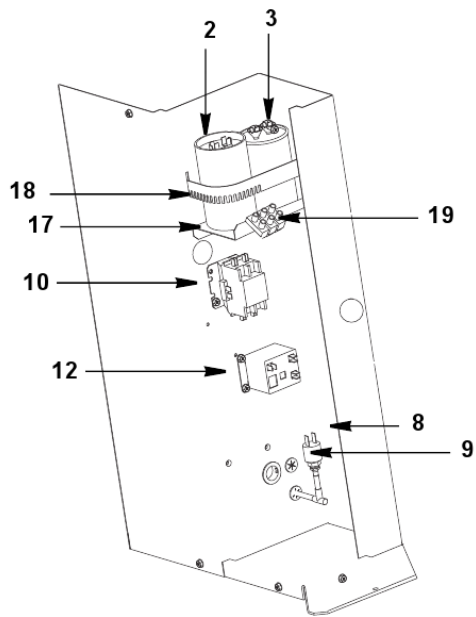
## I0686C HEAD SECTION - PANELS

#	PART #	DESCRIPTION	QTY	Note
1	000005217	Left Side Panel		
2	000005215	Right Side Panel		
3	000006699	Top Cover		
4	000006577	Front Panel Assembly		
4a	000006538	Top Endcap		
4b	000006539	Bottom Endcap		
5	000010051	Front Top Support		
5a	5005379	Mounting Screw - #8-32 x 1" PHIL		
5b	5005099	Mounting Screw - #10-16 x 0.625" PHIL		
6		Top Back Panels		
6a	6064649	Left Side		
6b	6064639	Right Side		
7	6059689	Bottom Back Panel		
8	6062809	Coupling Panel		
9		Front Panel LCD Frame		
9a	000006647	LCD Frame with Key Guard		
9b	000006564	LCD Frame without Key Guard		
9c	K00433	Display Cover		[1]
10	5004899	Front Door Screw		
11	7602263	Bottom Door Frame		
11a	5005379	Mounting Screw - #8-32 x 1" PHIL		
11b	5202099	Screw - #10-24 x 0.50" PHIL		
12	3005579	Left Door Pivot Leaf Hinge		[2]
12a	5005379	Mounting Screw - #8-32 x 1" PHIL		
13		Left Corner Post - See Note for Serial Break		
13a	6063439	Left Corner Post		[3]
13b	000010299	Left Corner Post		[4]
14	6068649	Left Top Channel		
15		Right Corner Post - See Note for Serial Break		
15a	6062929	Right Corner Post		[3]
15b	000010680	Right Corner Post		[4]
16	6062579	Right Top Channel		
17		Electrical Box on Rear of Ice Machine		
17a		Box & Cover		[5]
17b	2006143	Terminal Block - 50 Hz - 3 Pole		
17c	5202169	Screw - #10-24 x 0.50" Ground		
18	7112239	Cartoning		

### PART NOTES:

- [1] - hides the display completely
- [2] - Top or Bottom
- [3] - Before Serial Number 1101224319
- [4] - After Serial Number 1101224319
- [5] - Included in Back Panel Assembly

ICVD0696 CONDENSING UNIT - REFRIGERATION COMPONENTS



# i0686C, iCVD0696 Indigo

## ICVD0696 CONDENSING UNIT - REFRIGERATION COMPONENTS

#	PART #	DESCRIPTION	QTY	Note
1		Compressor		
1a	000009307	Bristol Compressor - 208-230V/60 Hz/1 Ph		
1b	000009959	Bristol Compressor - 230V/50 Hz/1 Ph		
1c	000003447	Molded Plug		
2		Start Capacitor		
2a	000006454	Start Capacitor - 50-60 Hz/1 Ph		
2b	8505513	Start Capacitor - 50-60 Hz/1 Ph		
3	2010133	Run Capacitor - 115-230V/50-60 Hz/1 Ph		
4	000007280	Suction Accumulator		
5	8373253	Access Valve		
6	000004070	Head Pressure Control Valve		
7	8373149	Magni-Check Valve - 0.375"		
8	2001263	Fan Cycling Control - 200-250 psig		[1]
9	2001243	High Pressure Cut-out Control		
10	000007597	Contactora - 50-60 Hz/1 Ph - 24 Volt Coil		
11	2002229	Low Pressure Cut-out Control		
12		Start Potential Relay		
12a	2009513	Start Potential Relay - 60 Hz/1 Ph		
12b	000009183	Start Potential Relay - 50 Hz/1 Ph		
13	000007581	Transformer		
14	8851443	Air-cooled Condenser		
15		Fan Motor		
15a	000003031	Fan Motor - 208-230V/60 Hz/1-3 Ph		
15b	000003032	Fan Motor - 208-230V/50 Hz/1 Ph		
16	2416303	Fan Blade		
17	6034981	Capacitor Mounting Bracket		
18	6021601	Capacitor Mounting Strap		
19		Terminal Block		
19a	000009929	Terminal Block - 60 Hz with Wiring Harness		
19b	2006143	Terminal Block - 50 Hz - 3 Pole		
20	8250539	Suction Line Filter		
20a	000006484	Suction Line Filter Bracket		
21		Wiring Harness		
21a	000007741	Wiring Harness - 230V/60 Hz/1 Ph		
21b	000007740	Wiring Harness - 230V/50 Hz/1 Ph		
22		Compressor Mounting		
22a	8503069	Mounting - Rubber Grommet		
22b	8503949	Mounting - Sleeve		
22c	5004819	Compressor Mounting - Bolt		
22d	5004829	Compressor Mounting - Nut		
23	6037041	Fan Shroud		
24	3006823	Fan Motor Mounting Bracket		

# i0686C, iCVD0696 Indigo

## ICVD0696 CONDENSING UNIT - REFRIGERATION COMPONENTS

#	PART #	DESCRIPTION	QTY	Note
25	5033589	Mounting - Screw		
25a	5545119	Mounting - Lockwasher		
25b	5429529	Mounting - Hexnut		
26	5033589	Mounting - Screw		
26a	5545119	Mounting - Lockwasher		
26b	5573059	Mounting - Flatwasher		
26c	5429559	Mounting - Rubber Wellnut		

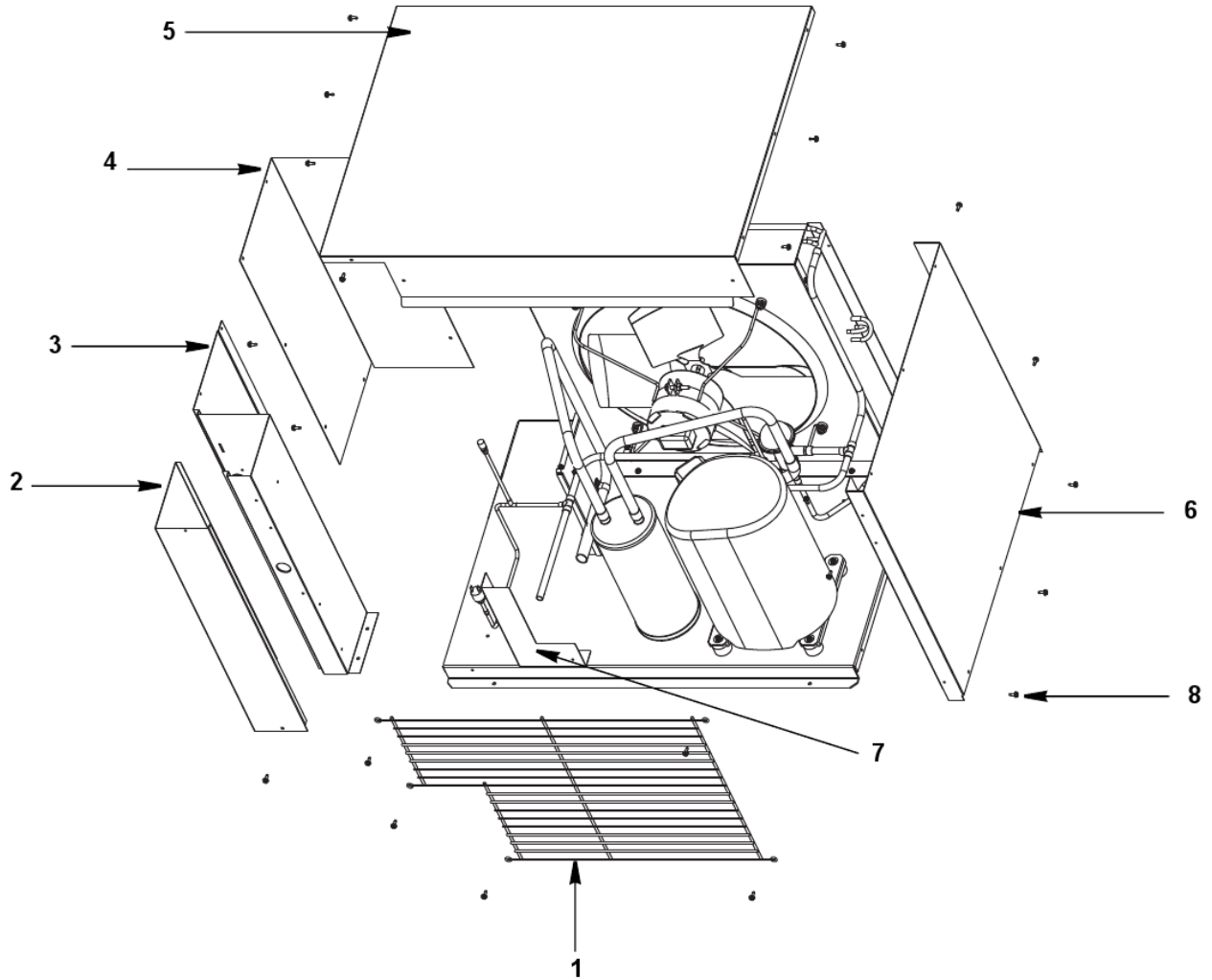
### PART NOTES:

[1] - \pages from 200126\_09.jpg" width=150 height=306>



# i0686C, iCVD0696 Indigo

## ICVD0696 CONDENSING UNIT - PANELS



# i0686C, iCVD0696 Indigo

## ICVD0696 CONDENSING UNIT - PANELS

#	PART #	DESCRIPTION	QTY	Note
1	3406893	Condenser Fan Guard		
2	6040171	Control Box Cover		
3	000006035	Control Box Panel		
4	6037051	Left Side Panel		
5	6034751	Cover Top		
6	6034701	Right Side Panel		
7	6042261	Condensing Unit Tube Shield		
8	5202069	Screw - #10-24 x 0.50" HEX		
9	000000768	Cartoning		