

# Bins, Condensers, and Accessories

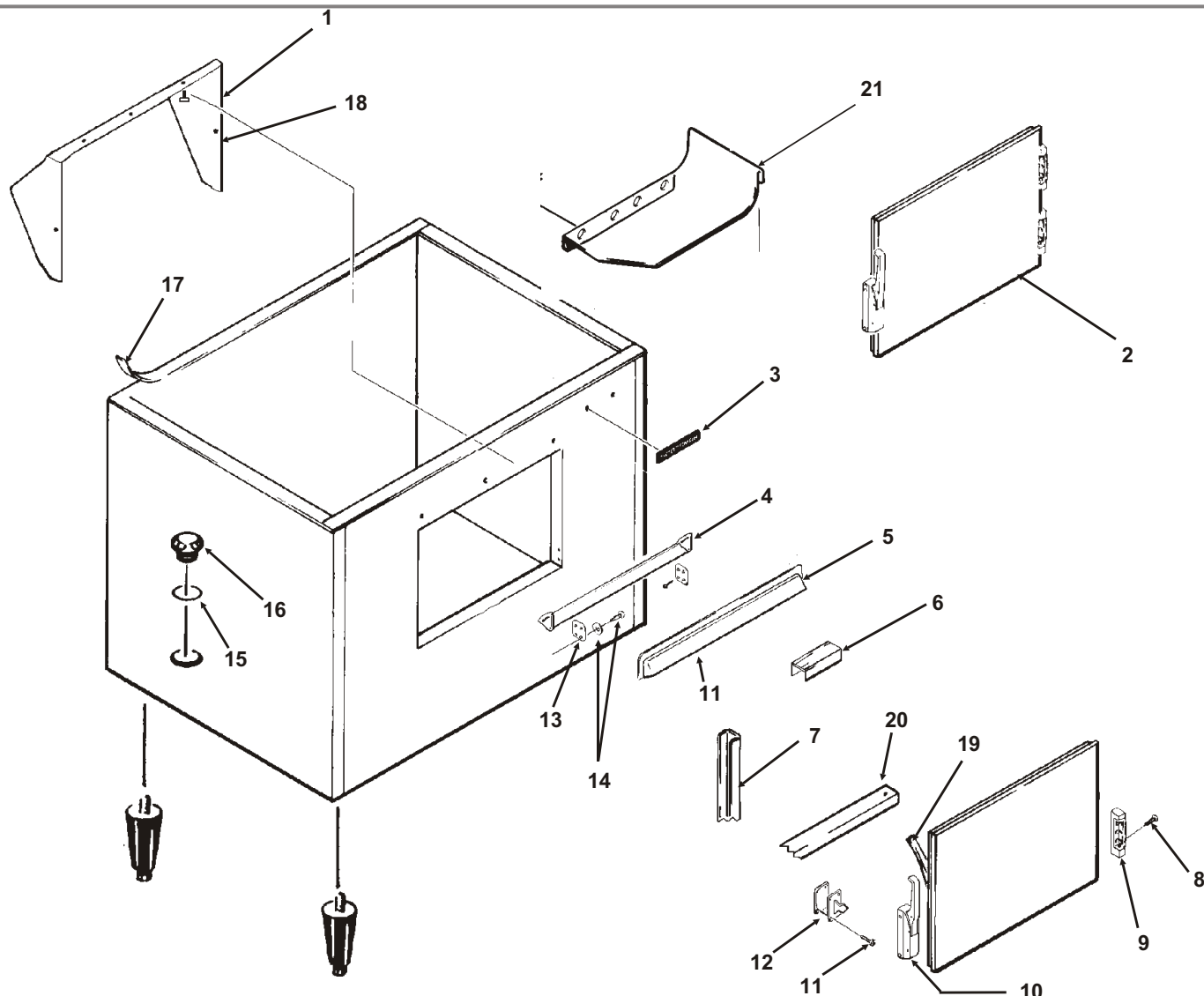
## Service Parts

### Table of Contents

B90/BX87 .....	page 2
HTB250/350 & BH250/350 & BH450.....	page 3
B230P .....	page 4
BH360S.....	page 5
SB480, SBX470, SBX215 .....	page 6
HTB500/BH500A .....	page 7
B222, B322, B330, B530, B842, B948 .....	page 8
HTB555.....	page 9
BH800/BH550.....	page 10
BH801 .....	page 11
BH900 .....	page 12
BH1000 .....	page 13
BH1100, BH1300, BH1600 .....	page 14
BH1351/BH1352/BH1360.....	page 15
BH1370.....	page 16
BH1356, BH1650, BH1366 & BH1666 Ice Storage Bin.....	page 17
SLB150, SLB260/BH260, SLB375/BH375.....	page 18
Ice Cart Systems (ICS1, ICS2, ICS3).....	page 19
ERC Horizontal Coil Condenser .....	page 20
ERC V Coil Condenser ERC111, 211, 311, 411, ERC680, ERC1086.....	page 21
ERC V Coil Condenser, ERC611, ERC2086, ER2C6810, ER2C1316.....	page 22
Bagger; Fan Relay Box, KDIL Thermostats .....	page 23
Water Filters .....	page 24
Accessories .....	page 25

# Bins, Condensers, and Accessories Service Parts

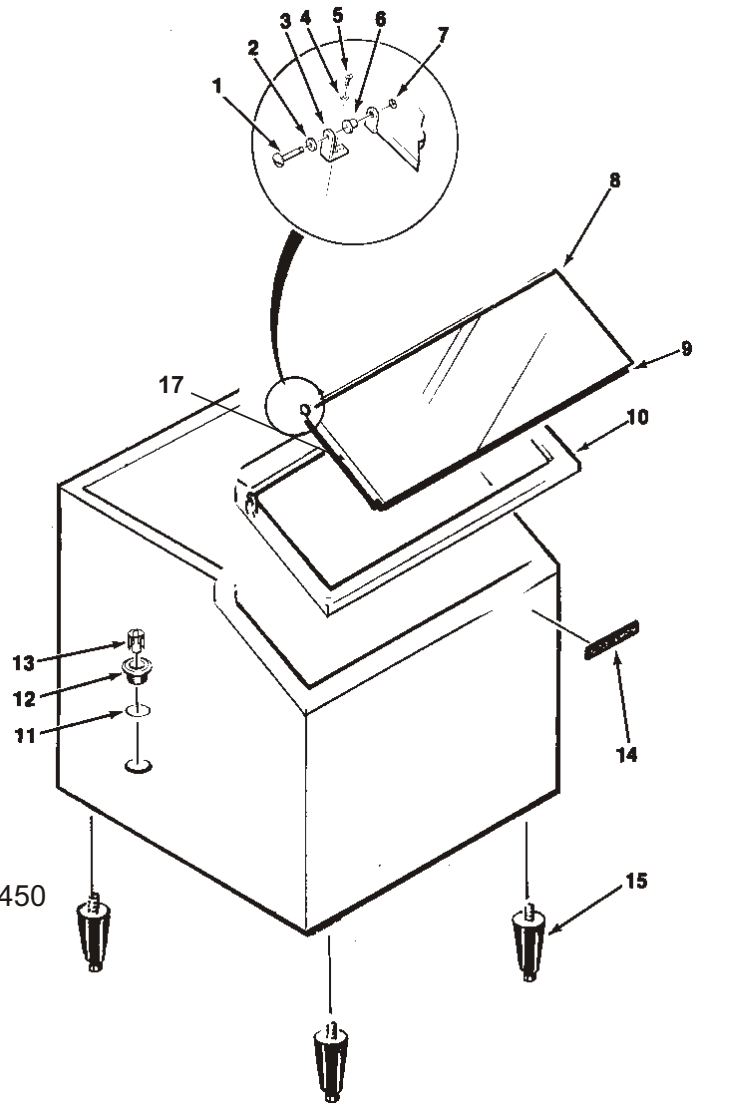
**B90/BX87**



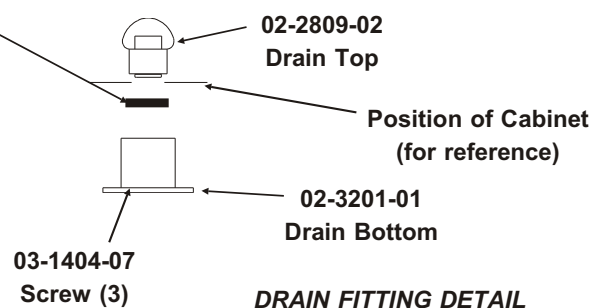
ITEM NUMBER	PART NUMBER	DESCRIPTION			
1	A15114-000	Baffle	9	02-2658-03	Hinge
2	A18300-013	Complete Door-brown		02-2658-04	Hinge Cover
	A18300-032	Complete door, gray	10	02-2658-01	Latch
	A18300-010	Complete Door, sandalwood.		02-1285-00	Screw, into door
	A18300-002	Complete door, SS	11	03-1419-28	Screw, into cabinet
	02-1000-00	Plastic door liner	12	02-2658-02	Strike
3	15-0711-01	Emblem for sandalwood	13	A25929-001	Spill door hinge
	15-0808-01	Emblem for gray	14	A17302-000	Button storage
4	A17342-000	Spill Door		03-1403-15	Screw
5	no number	Awning	15	13-0617-11	O-ring
6	no number	Door Trim Cap	16	02-2809-01	Drain top
7	A25931-001	Door Trim side	17	19-0503-04	Foam tape
8	03-1285-00	Screw, into door	18	03-0727-01	Thumb screw
	03-1419-28	Screw, into cabinet	19	13-0264-00	Door gasket
			20	A25932-001	Door trim
			21	A26449-001	Cube chute

# Bins, Condensers, and Accessories Service Parts

## HTB250/350 & BH250/350 & BH450



Item Number	Part Number	Description
1	02-2806-01	Shoulder screw
2	02-2380-02	Spacer
3	A25259-001	BH450 Hinge member
	A31248-001	Hinge member, all but BH450
4	03-1417-14	Washer
5	03-1404-26	Screw
6	02-2380-01	Hinge bushing
7	03-1539-09	E ring
8	A32648-001	Door - brown
	A32648-002	Door - gray
9	13-0595-00	Door gasket (49" req.)
10	02-2857-01	HTB250/350 Door frame, brown
	02-2857-32	HTB250/350 door frame, gray
	A30820-001	BH450 Door frame & canopy
	02-2857-32	BH250AE/BH350AE Door frame
11	13-0617-11	O-ring
12	02-2809-01	Drain top, all but BH450
	A18090-000	BH450 drain top
13	A06448-000	BH450 strainer
14	15-0711-01	Emblem - for sandalwood
	15-0711-02	Emblem for gray
15	KLP7	Legs, black
	KLP8S	Legs, nickel plated
16	A32580-001	Baffle HTB only
	03-0727-06	Thumb screw for baffle
	03-1423-07	Speed nut for baffle
17	A32317-001	Canopy, all but BH450
18	02-3201-01	Drain bottom, HTB250/350 after Nov. 91 (05K)

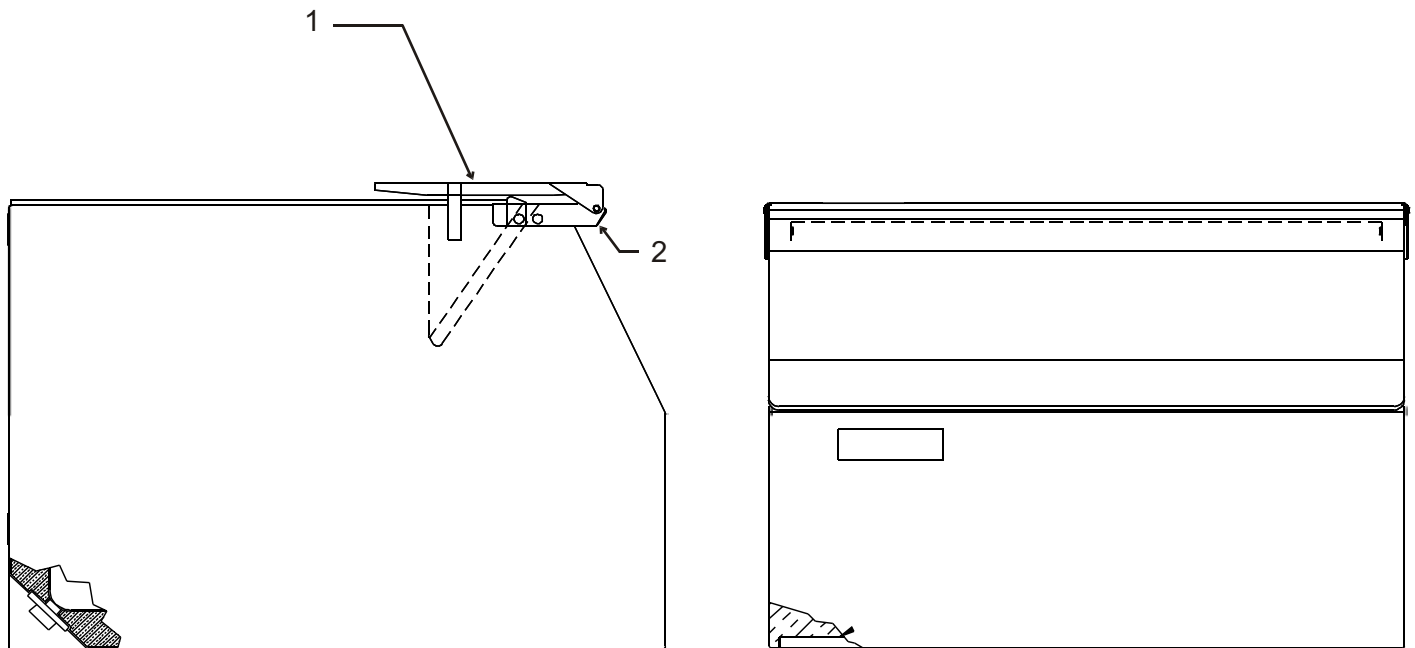


**DRAIN FITTING DETAIL**  
after serial numbers  
HTB250 489378-05K  
HTB350 488666-05K

# Bins, Condensers, and Accessories Service Parts

**B230P**

---

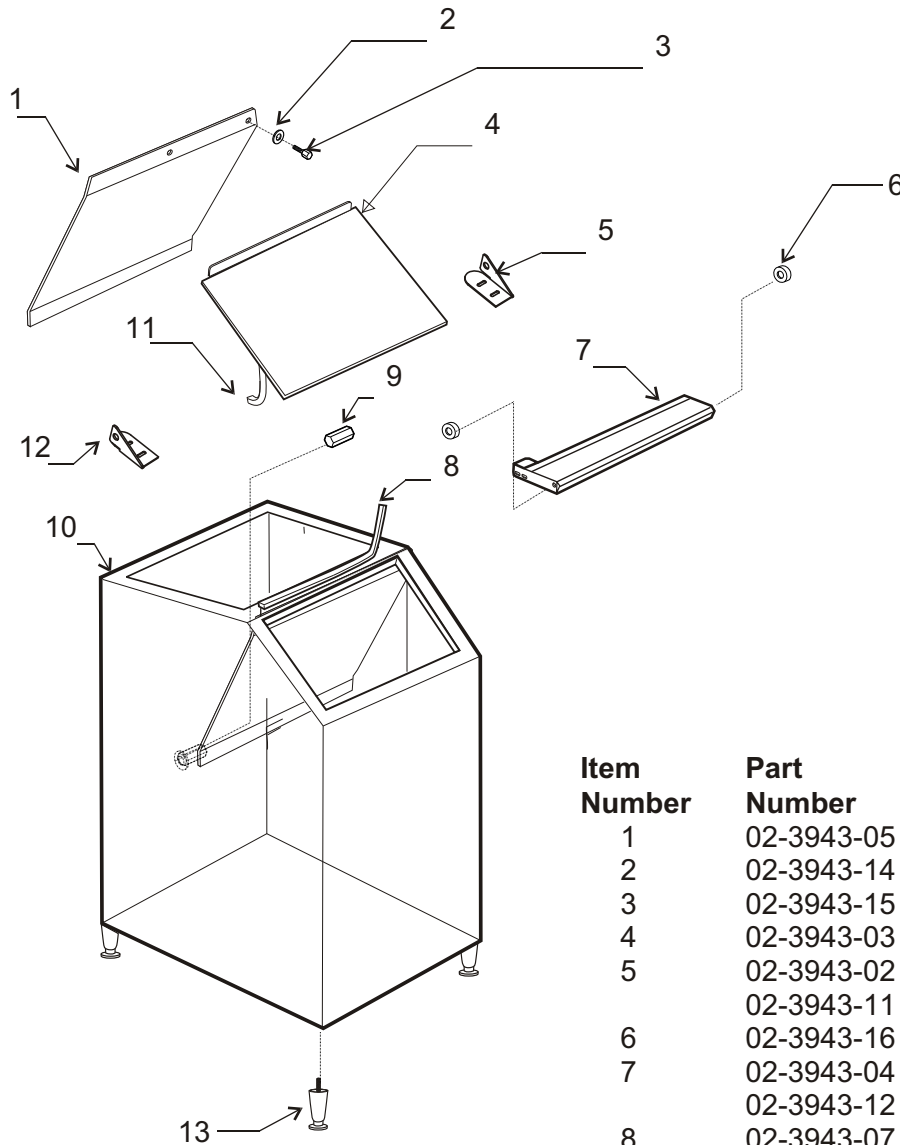


Item Number	Part Number	Description
1	02-4732-02	Door only
2	02-4654-21	Door assembly , includes door, baffle, gasket and hinges
3	02-3943-10*	Set of 4 legs for bins with "1280" in the serial number.
	KLP7	Set of 4 legs for bins with "1320" in the serial number.

\* Note: Leg Threads are  $\frac{1}{2}$  - 13. These legs will not interchange with any other Scotsman leg or caster.

# Bins, Condensers, and Accessories Service Parts

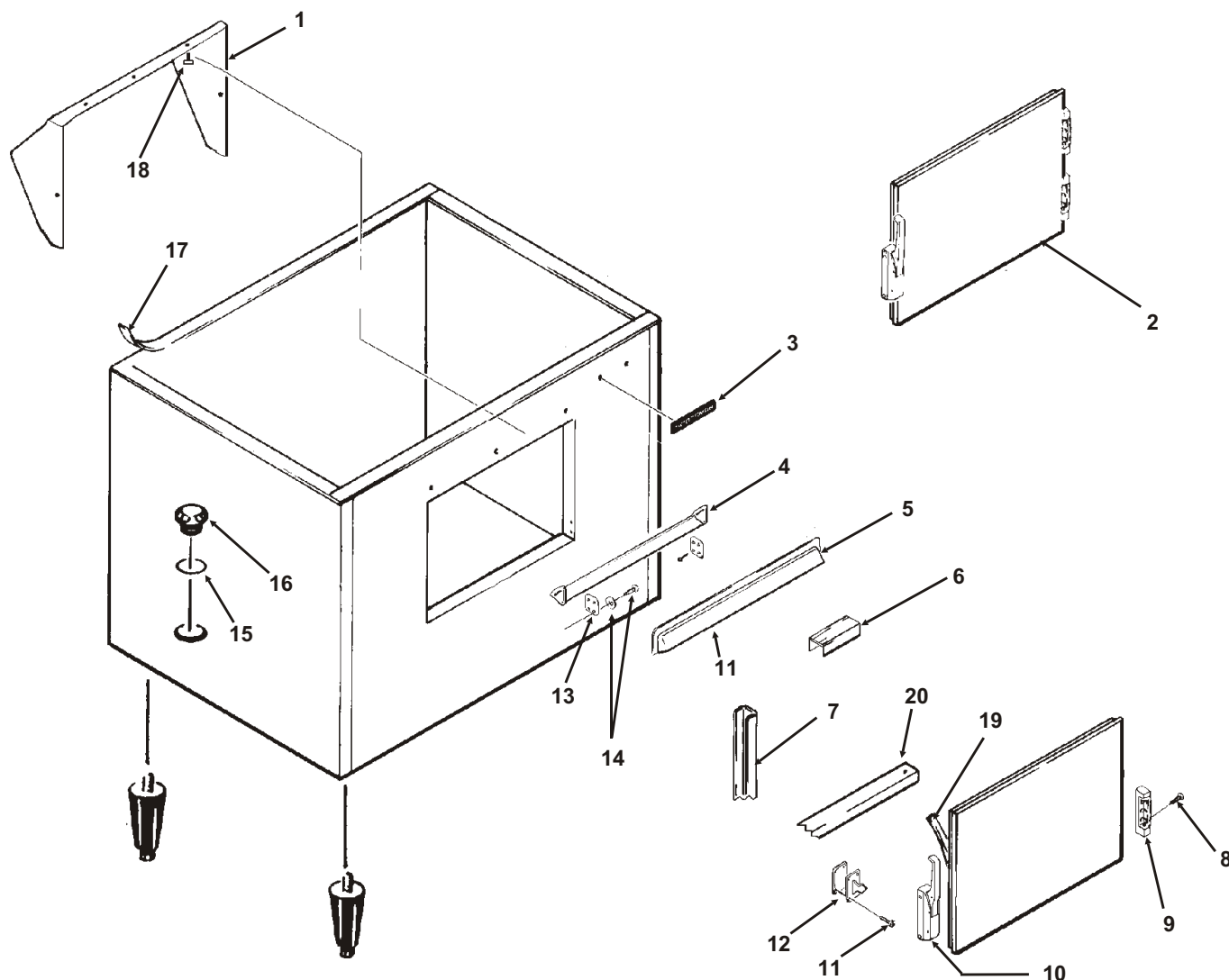
**BH360S**



Item Number	Part Number	Description
1	02-3943-05	Ice deflector
2	02-3943-14	Rubber washer
3	02-3943-15	Thumbscrew
4	02-3943-03	Door w/gasket, w/out hinges
5	02-3943-02	Right hinge
	02-3943-11	Screw, hinge to door
6	02-3943-16	Nylon bearing
7	02-3943-04	Canopy
	02-3943-12	Screw, canopy to bin
8	02-3943-07	Gasket (per foot)
9	02-3943-13	Hex stand off
10	13-0943-02	Bin gasket tape (per foot)
11	02-3943-06	Door gasket
12	02-3943-01	Left hinge
	02-3943-11	Screw, hinge to door
13	02-3943-10	Set of 4 legs
14	02-3943-09	Connecting strap, IM to bin

Note: Leg Threads are  $\frac{1}{2}$  - 13. The legs for this bin will not interchange with any other Scotsman leg or caster.

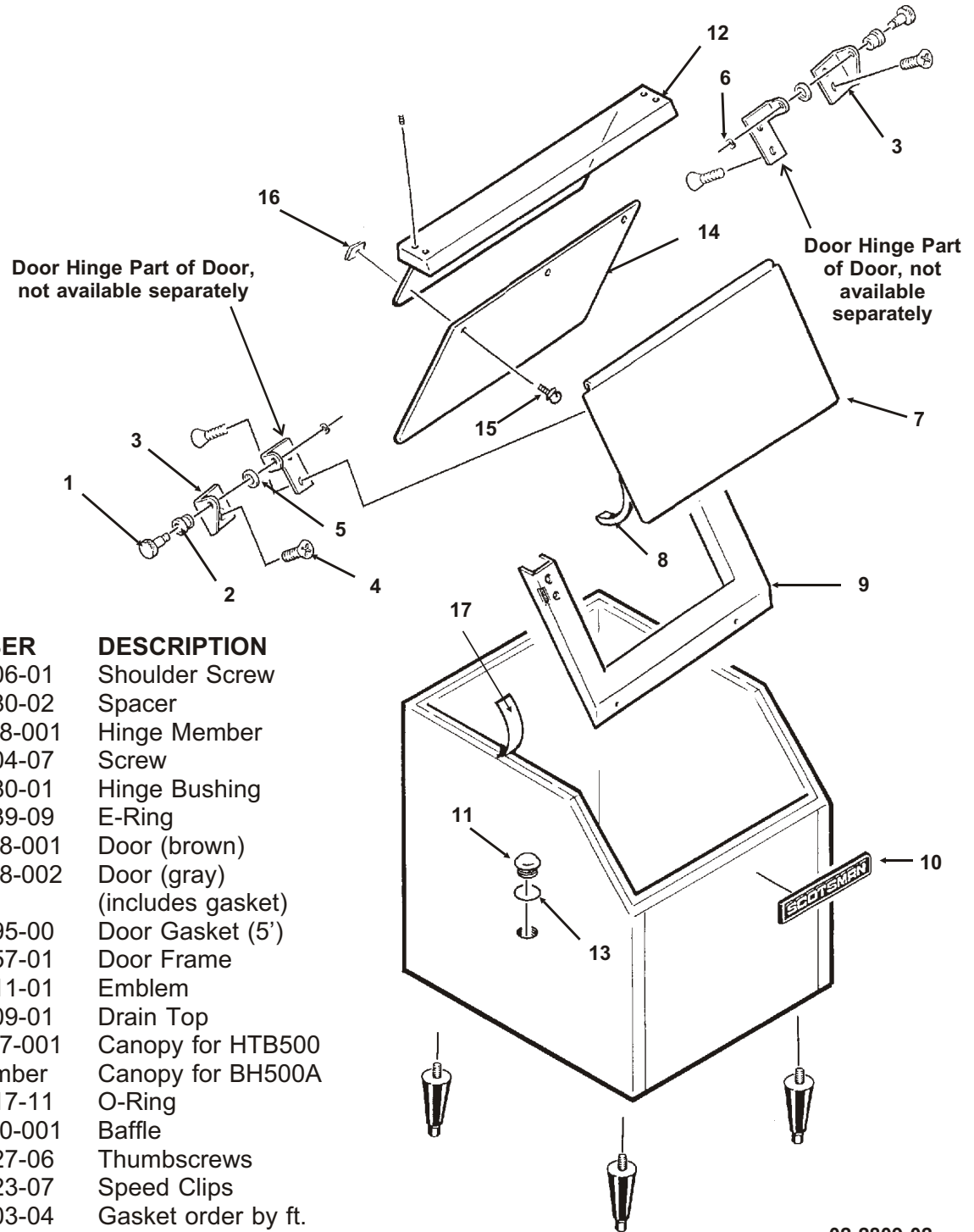
# Bins, Condensers, and Accessories Service Parts



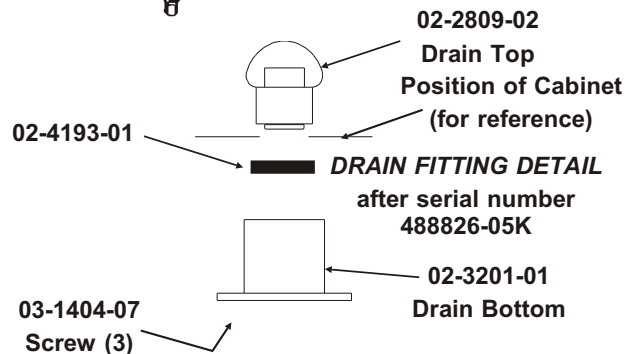
ITEM NUMBER	PART NUMBER	DESCRIPTION	ITEM NUMBER	PART NUMBER	DESCRIPTION
1	02-3991-01	Baffle	10	02-2658-01	Latch
2	02-3991-02	Complete door, SS		02-3991-12	Screw, into door
	02-3991-03	Plastic door liner	11	02-3991-13	Screw, into cabinet
3	15-0711-02	Emblem for gray	12	02-2658-02	Strike
4	02-3991-04	Spill Door	13	02-3991-15	Spill door hinge
5	02-3991-05	Awning	14	02-3991-16	Screw
6	02-3991-06	Door Trim Cap	15	13-0617-11	O-ring
7	02-3991-07	Door Trim side	16	02-2809-01	Drain top
	02-3991-17	Support, attaches to item 7	17	19-0503-04	Foam tape
8	02-3991-08	Screw, into door or cabinet	18	03-0727-01	Thumb screw
9	02-2658-03	Hinge	19	02-3991-18	Door gasket
	02-2658-04	Hinge Cover	20	02-3991-19	Door trim

# Bins, Condensers, and Accessories Service Parts

HTB500/BH500A



ITEM NUMBER	PART NUMBER	DESCRIPTION
1	02-2806-01	Shoulder Screw
2	02-2380-02	Spacer
3	A31248-001	Hinge Member
4	03-1404-07	Screw
5	02-2380-01	Hinge Bushing
6	03-1539-09	E-Ring
7	A32648-001	Door (brown)
	A32648-002	Door (gray) (includes gasket)
8	13-0595-00	Door Gasket (5')
9	02-2857-01	Door Frame
10	15-0711-01	Emblem
11	02-2809-01	Drain Top
12	A32317-001	Canopy for HTB500
	no number	Canopy for BH500A
13	13-0617-11	O-Ring
14	A32580-001	Baffle
15	03-0727-06	Thumbscrews
16	03-1423-07	Speed Clips
17	19-0503-04	Gasket order by ft.

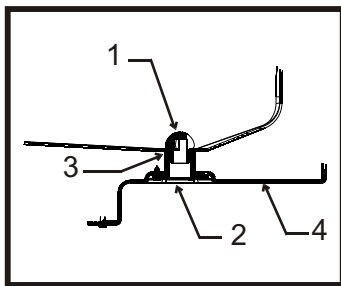


# Bins, Condensers, and Accessories

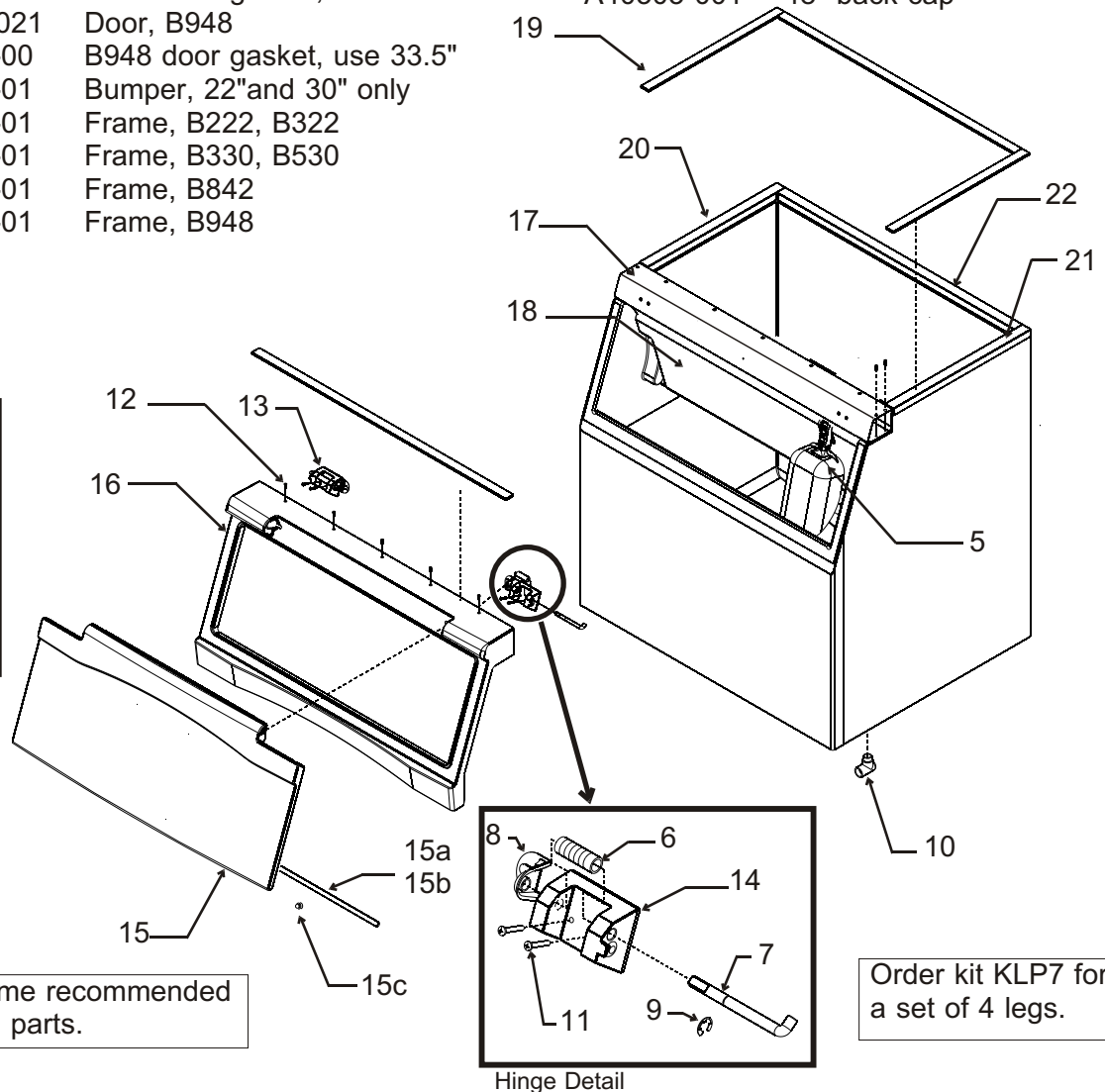
## Service Parts

### B222, B322, B330, B530, B842, B948

Item Number	Part Number	Description		Part Number	Description
1	02-2809-02	Drain top	17	A38920-001	Canopy, B222, B322
2	02-3108-01	Drain fitting		A38921-001	Canopy, B330, B530
3	02-4193-01	Drain gasket		A38922-001	Canopy, B842
4	02-4234-01	Drain panel, SS only		A38923-001	Canopy, B948
5	02-0540-01	Scoop	18	A38910-001	Baffle, B222, B322
6	03-3876-01	Spring*		A38911-001	Baffle, B330, B530
7	03-3874-01	Hinge pin*		A38912-001	Baffle, B842
8	13-0946-01	Hinge gasket		A38913-001	Baffle, B948
9	03-1539-12	E clip*	19	13-0943-02	Gasket, 22" use 86"
10	05-0586-01	Elbow for drain			Gasket, 30" use 102"
11	03-1403-71	Screw, hinge to canopy			Gasket, 42" use 126"
12	03-1418-30	Screw, frame to canopy	20	A40299-001	Gasket, 48" use 136"
13	02-4232-01	Left hinge mount*	21	A40299-001	Left cap - SS bin
14	02-4233-01	Right hinge mount*		A39241-001	Left cap - plastic bin
15	A40611-021	Door, B222, B322	21	A40299-002	Right cap - SS bin
	A40612-021	Door, B330, B530		A39240-001	Right cap - plastic bin
	A40613-021	Door, B842	22	A40300-001	22" back cap
15a	13-0595-00	B842 door gasket, use 27.5"		A40301-001	30" back cap
	A40614-021	Door, B948		A40302-001	42" back cap
15b	13-0595-00	B948 door gasket, use 33.5"		A40303-001	48" back cap
15c	02-4235-01	Bumper, 22"and 30" only			
16	02-4236-01	Frame, B222, B322			
	02-4237-01	Frame, B330, B530			
	02-4238-01	Frame, B842			
	02-4239-01	Frame, B948			



Drain Detail



Hinge Detail

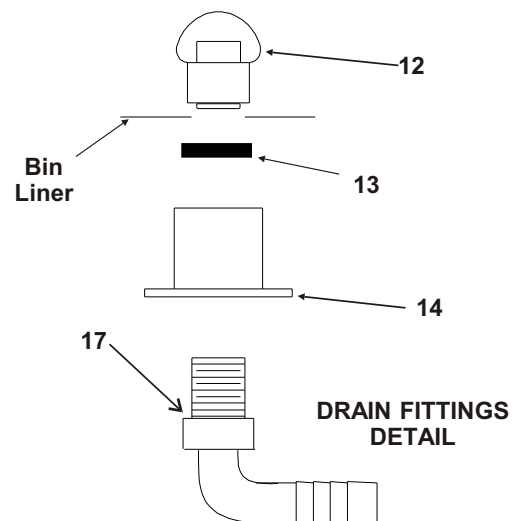
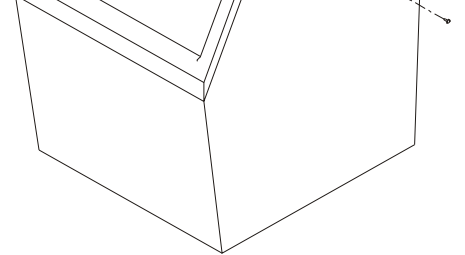
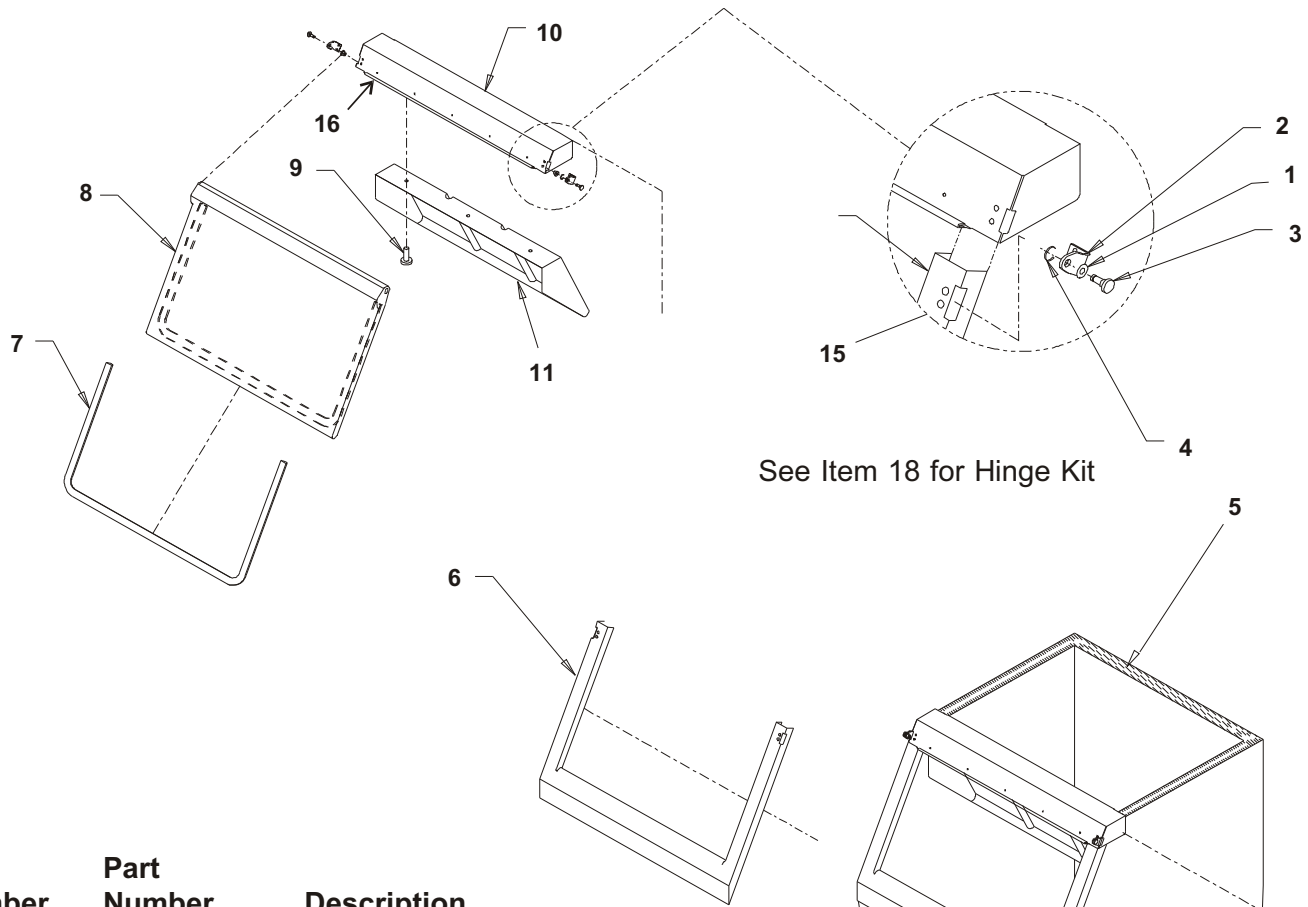
Order kit KLP7 for a set of 4 legs.

\* Replacement of frame recommended when servicing hinge parts.



# Bins, Condensers, and Accessories Service Parts

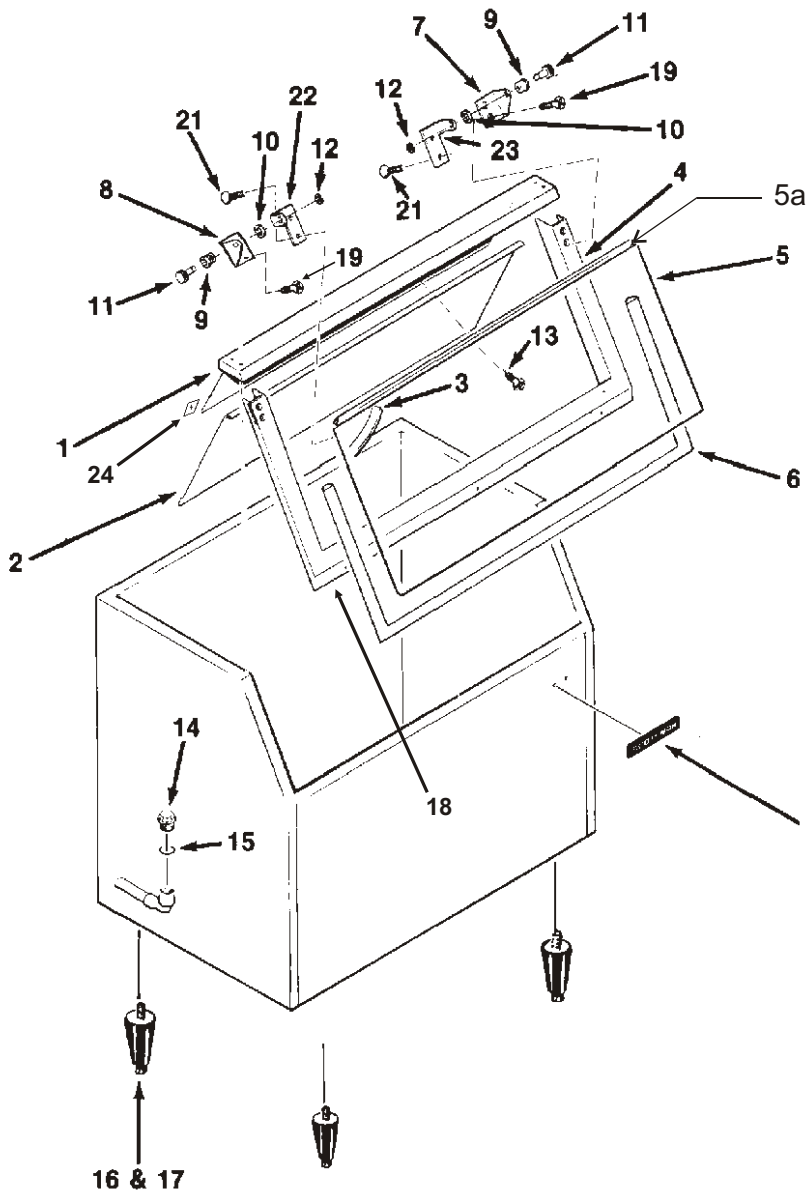
**HTB555**



Item Number	Part Number	Description
1	02-2380-02	Spacer
2	02-3196-01	Hinge
3	02-2806-01	Shoulder screw
4	03-1539-09	E-Ring
5	19-0503-04	Gasket - 9 ft.*
6	02-3274-01	Door frame -Brown
	02-3274-32	Door frame - Grey
7	13-0909-01	Door gasket - 58"
8	A36481-021	Door - Brown incl #7
	A36481-022	Door - Grey incl #7
9	03-0727-11	Thumb screw
10	A35637-001	Canopy
11	A37310-001	Baffle
12	02-2809-02	Drain top
13	02-4193-01	Flat washer
14	02-3108-01	Drain bottom
15	03-1418-07	Screw for hinge
16	02-3202-02	Trim guard
17	05-0586-01	Drain elbow
18	A40021-021	Hinge kit, includes 2 of items 1, 2, 3 and 4; plus 4 of item 15.
Not shown	02-0540-01	Scoop

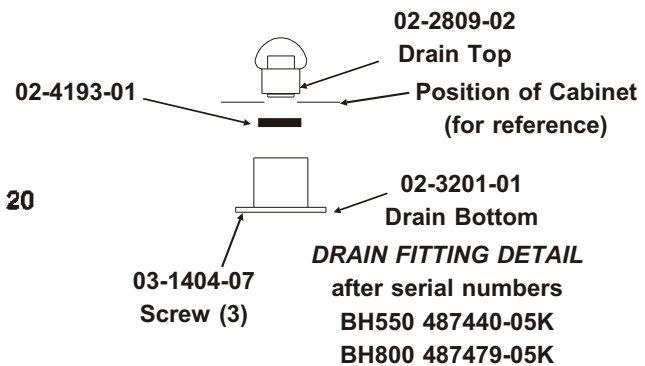
# Bins, Condensers, and Accessories Service Parts

## BH800/BH550



Note: C series has rounded corners

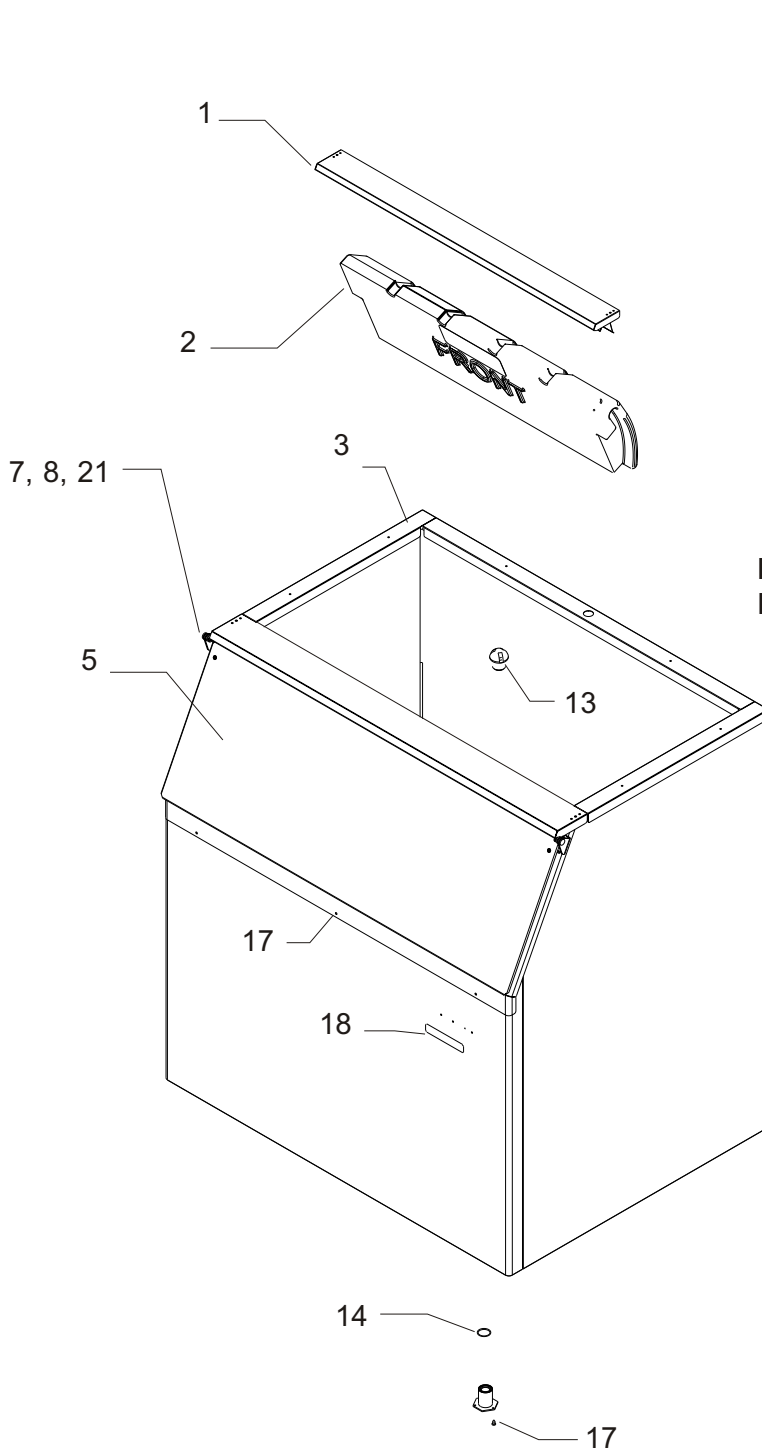
Left Bin Channel:       A35506-001  
Right Bin Channel:     A35507-001  
Rear Bin Channel:      A35508-001



ITEM NUMBER	BH800 PART NUMBER	BH550 PART NUMBER	DESCRIPTION	ITEM NUMBER	BH800 PART NUMBER	BH550 PART NUMBER	DESCRIPTION
1	A32408-001	A33921-001	Canopy	12	03-1539-09	same	E-Clip
2	A32410-001	A32580-001	Baffle	13	03-0727-00	same	Thumb Screw
3	19-0503-04	same	Gasket	14	02-2809-01	same	Drain Top
4	A32418-020	A33922-020	Door Frame	15	13-0617-11	same	O-Ring
	A37640-021	A37639-021	Door Frame, C series	16	KLP7	same	Legs, painted
5	A32419-020	A33938-020	Door, incl 5a, 6, 22, 23	17	KLP8S	same	Legs, S.S.
5a	02-2881-02	02-2881-03	Drip molding	18	03-1404-07	same	Screw
6	13-0595-00	same	Door Gasket	19	03-1360-02	same	Screw
	(10')	(6')	order per foot	20	15-0711-01	same	Emblem
7	A32396-002	same	Hinge Rt.	21	03-1418-41	same	Screw
8	A32396-001	same	Hinge Left	22	A32546-001	same	Door Hinge Lft
9	02-2380-01	same	Hinge Bushing	23	A32546-002	same	Door Hinge Rt.
10	02-2380-02	same	Hinge Spacer	24	03-1423-07	same	Speed Nut for Baffle
11	02-2806-01	same	Shoulder Screw				

# Bins, Condensers, and Accessories Service Parts

BH801

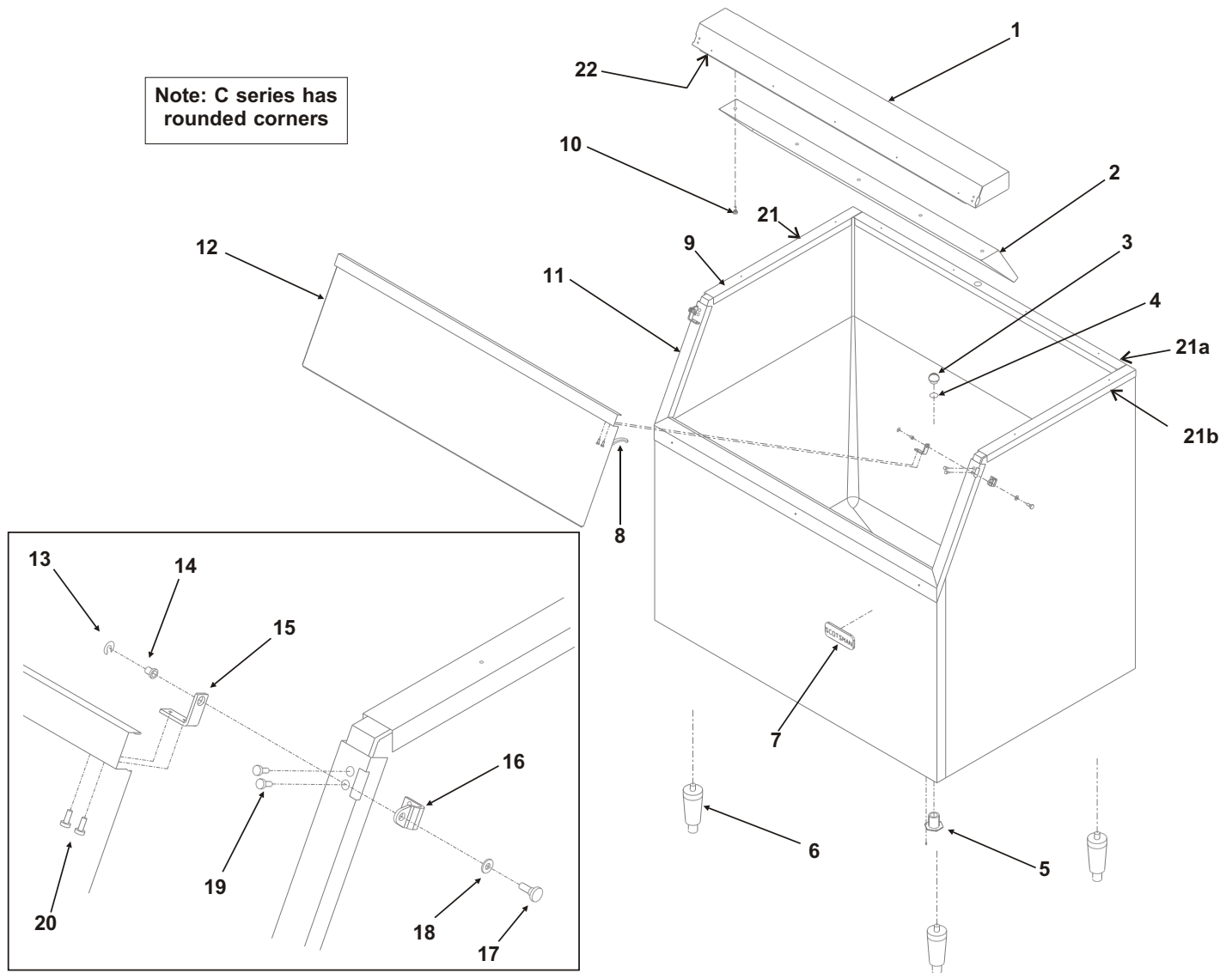


ITEM NUMBER	PART NUMBER	DESCRIPTION
1	A38434-001	Canopy
2	A38476-001	Baffle
3	19-0503-04	Gasket order per foot
4	A37640-021	Door Frame,
5	A32419-020	Door, incl 5a, 6, 21, 22
5a	02-2881-02	Drip molding
6	13-0595-00	Door Gasket (10')*
7	A32396-002	Hinge Rt.
8	A32396-001	Hinge Left
9	02-2380-01	Hinge Bushing
10	02-2380-02	Hinge Spacer
11	02-2806-01	Shoulder Screw
12	03-1539-09	E-Clip
13	02-2809-02	Drain Top
14	02-4193-01	Flat washer
15	02-3201-01	Drain bottom
16	KLP7	Legs, painted set of 4
	KLP8S	Legs, S.S. set of 4
17	03-1404-07	Screw - frame to bin
18	03-1419-09	Screw - hinge to frame
19	15-0808-01	Emblem
20	03-1418-24	Screw - hinge to door
21	A32546-001	Door Hinge Lft
22	A32546-002	Door Hinge Rt.

# Bins, Condensers, and Accessories Service Parts

**BH900**

Note: C series has rounded corners



ITEM NUMBER	PARTS NUMBER	DESCRIPTION
1	A35322-020	Canopy Assembly
2	A35152-001	Ice Baffle
3	02-2809-01	Drain Top
4	02-4193-01	Flat washer
5	02-3201-01	Drain casting
6	KLP7	Leg Kit, Black
7	15-0711-01	Emblem
8	13-0595-00	Door gasket (6.25' reg.)
9	19-0503-04	Bin gasket / ft
10	03-0727-11	Baffle screw
11	A35275-001	Door frame assy.
	A37641-021	Door frame, BH900S-C
12	A35323-020	Door w/gasket - BH900
13	03-1539-09	"E" ring
14	02-2380-01	Hinge bushing
15	02-3195-01	Door hinge

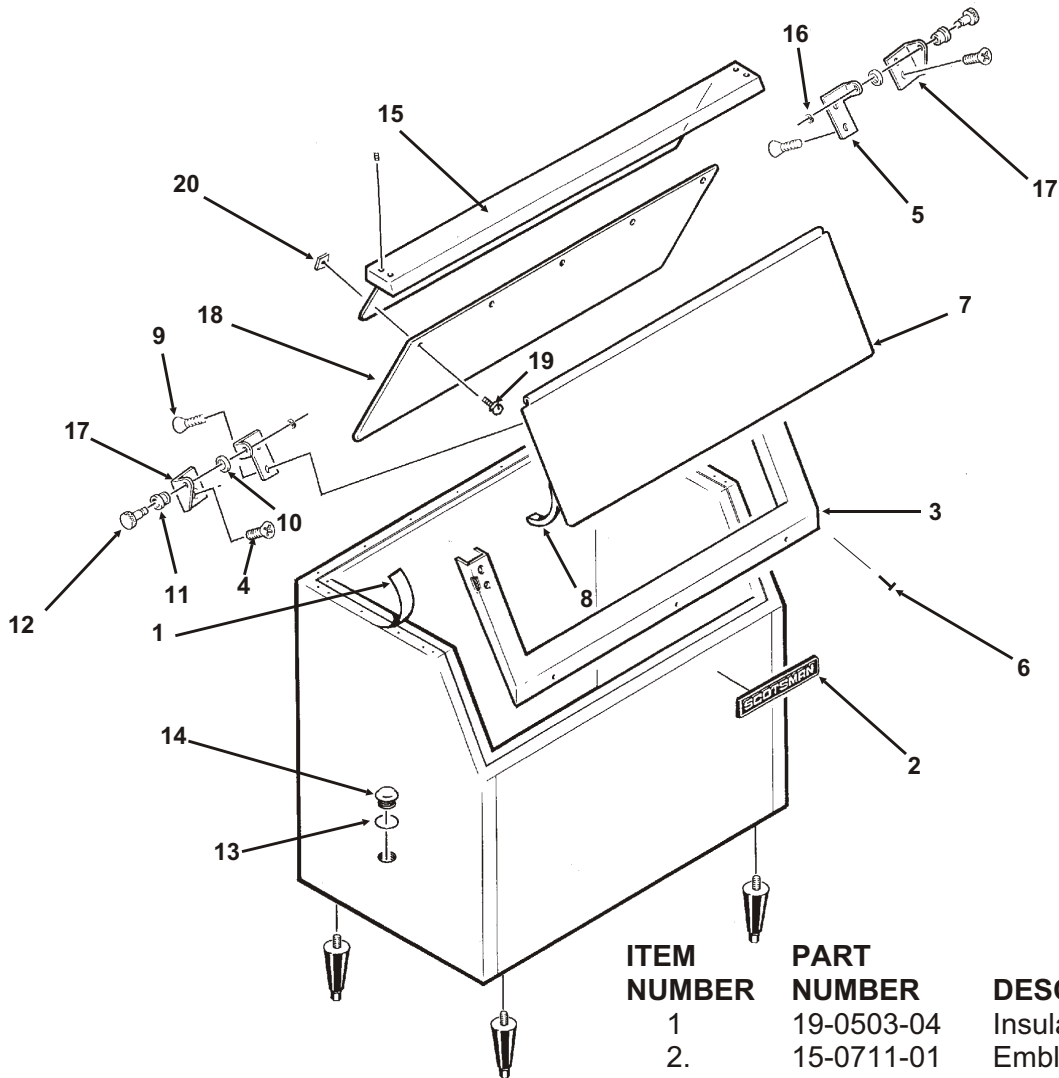
ITEM NUMBER	PARTS NUMBER	DESCRIPTION
16	02-3196-01	Bin hinge
17	02-2806-01	Shoulder screw
18	02-2380-02	Spacer
19	03-1403-29	Screw 10-24
20	03-1403-24	Screw 10-24
21	A35280-001	Left bin channel
21a	A35311-001	Back bin channel
21b	A35279-001	Right bin channel
22	02-3202-02	Trim guard - order 2 and trim to fit.

Note: There were a few BH900CE/CS bins made in the early 1990s that used a **different** door, hinge & pin: Most BH900s did NOT use these parts.

12	02-3222-01	Door, BH900CE or CS
	02-3225-01	Hinge kit, BH900CE
	02-3226-01	Pivot pin set, BH900CE

# Bins, Condensers, and Accessories Service Parts

## BH1000



Note: There are three distinct BH1000 bins:

BH1000 with a stainless steel liner uses bin door size 49.5" x 15" part number A32572-020.

BH1000A - (plastic liner) is as illustrated, using the parts list to the right. Door size = 52 x 15

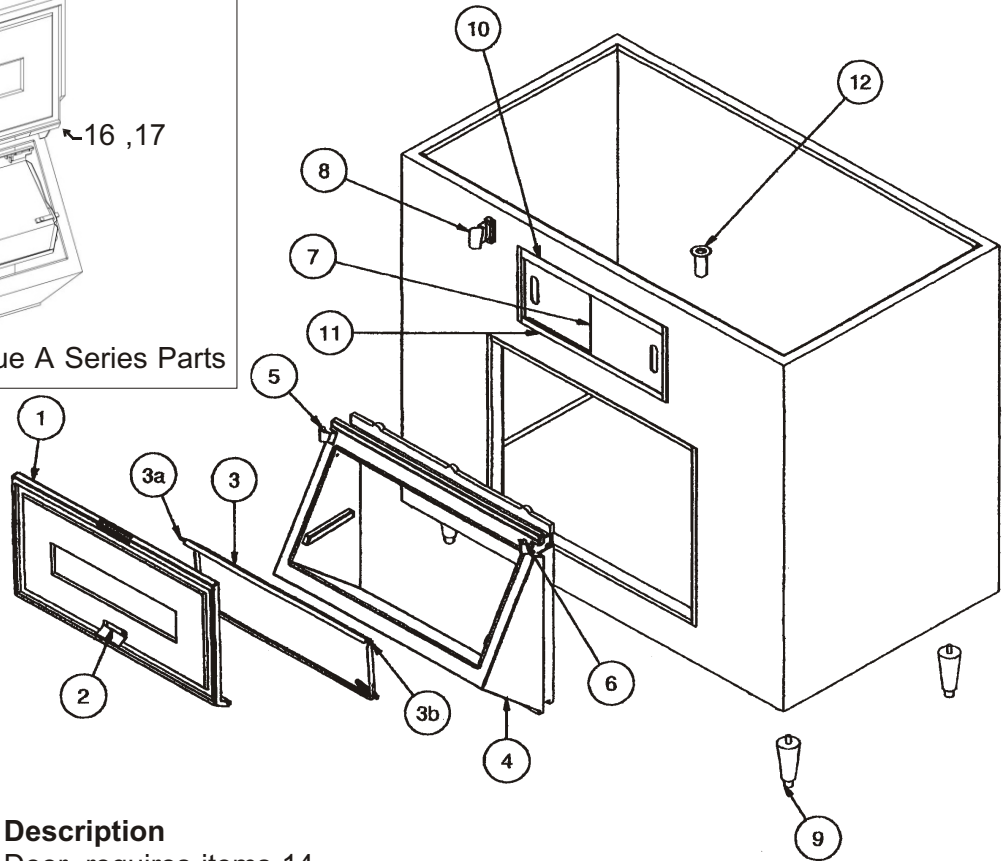
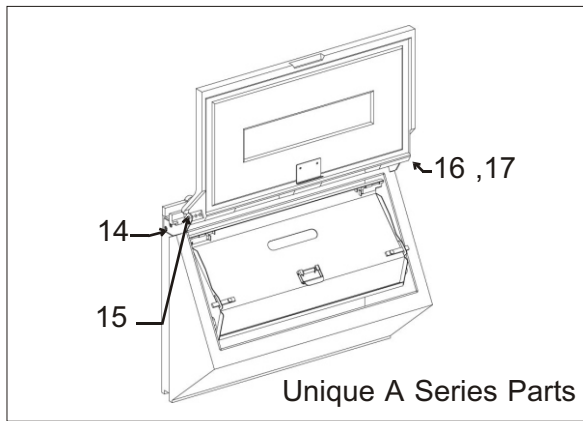
BH1000C - door is 51 x 15

02-3223-01 Door  
13-0595-00 Gasket / ft  
02-3225-01 Hinge kit  
02-3226-01 Pivot pin set

ITEM NUMBER	PART NUMBER	DESCRIPTION
1	19-0503-04	Insulating Tape
2	15-0711-01	Emblem
3	A32521-001	Door Frame
4	03-1360-02	Screw
5	A32546-002	Right Door Hinge
6	03-1404-07	Screw
7	A32518-020	Door
8	13-0595-00	Door gasket, req.7'
9	A32546-001	Left Door Hinge
10	02-2380-01	Hinge Bushing
11	02-2380-02	Bushing
12	02-2806-01	Screw
13	13-0617-11	O-Ring
14	02-2809-01	Drain top
15	A32395-001	Canopy Assembly
16	03-1539-09	E-Ring
17	A32396-001	Hinge Member Left
	A32396-002	Hinge Member Right
18	A32399-001	Baffle
19	03-0727-06	Screw
20	03-1423-07	Speed Clip

# Bins, Condensers, and Accessories Service Parts

## BH1100, BH1300, BH1600



Item Number	Part Number	Description
1	02-4008-27	Door, requires items 14 and 16 when replacing non-spring loaded doors.
2	02-4008-03	Baffle latch bracket
3	02-4737-21	Baffle assembly
3a	02-4008-23	LH & RH spring loaded hinge kit
4	02-4008-07	Snout
5	02-4008-24	LH & RH door hinges
6	part of item 5	RH door hinge
7	02-4008-10	Window (set of 2)
8	02-4008-11	Door latch, not used on A
9	02-4987-01	1/2 Leg - each (current as of Jan of 2016)
	02-4008-12	5/8 Leg - each
	KLP7	5/8 Leg, kit
10	02-4008-25	Upper & lower window tracks
11	part of item 10	Lower window track
12	02-4008-15	1" plastic drain- includes nut and washer
A Series Parts Not Interchangeable with prior		
14	02-4008-28	LH hinge bracket
15	02-4008-26	LH spring loaded hinge
16	02-4008-29	RH hinge bracket
17	02-4008-32	RH spring loaded hinge

Not Shown

02-4008-16	SS 34"x48" Top Support
Frame	
02-4008-17	48" Plastic Top*
02-4008-18	60" Plastic Top*
02-4008-19	9" Filler Panel
02-4008-20	13 1/2" Filler Panel

Note: Above filler panels are 21.5" long and changed in late 2005 to these:

- 02-4008-21 - 20.5" long 9 inch filler panel
- 02-4008-22 - 20.5" long 13.5 inch filler panel

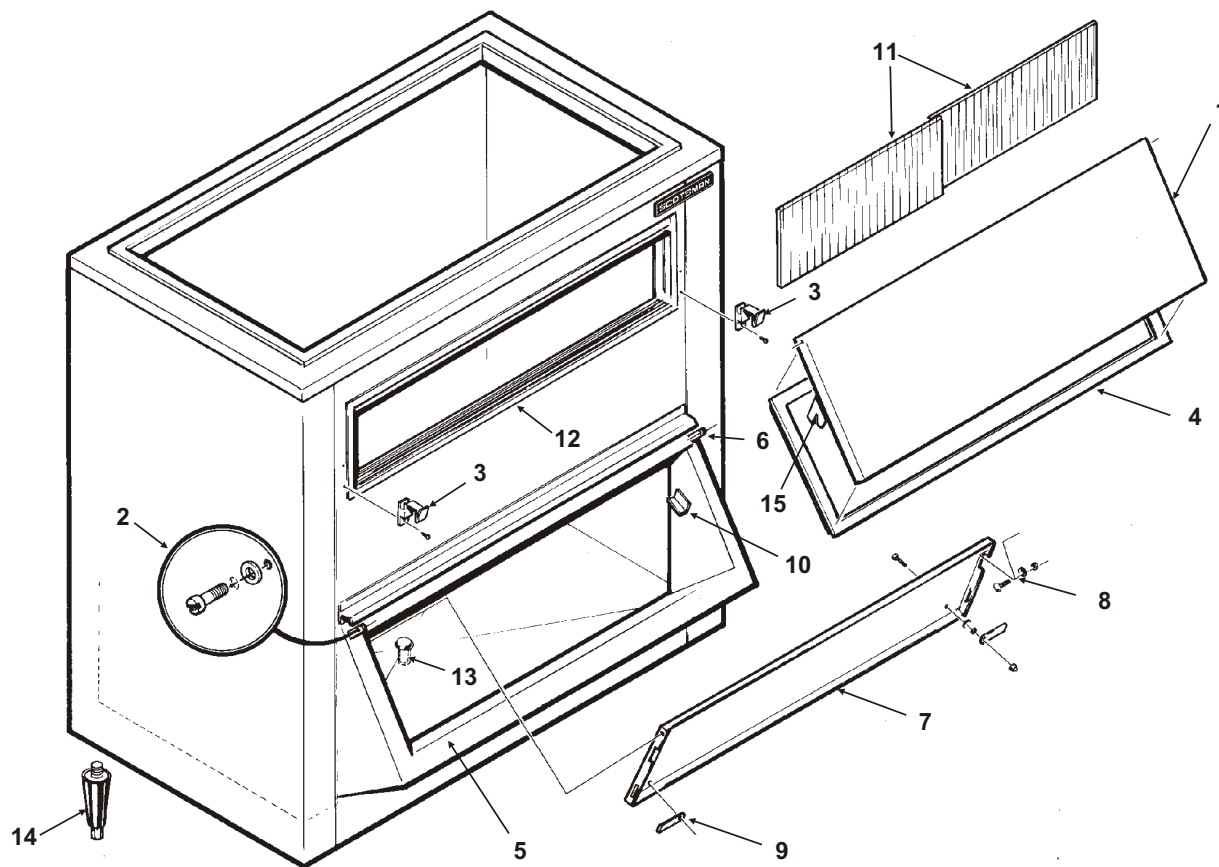
Check serial number date code or opening size to confirm which filler panel to use.

\* hole 45" wide x 20.5 deep

Hole in plastic top changed in late 2005, prior top no longer available.

# Bins, Condensers, and Accessories Service Parts

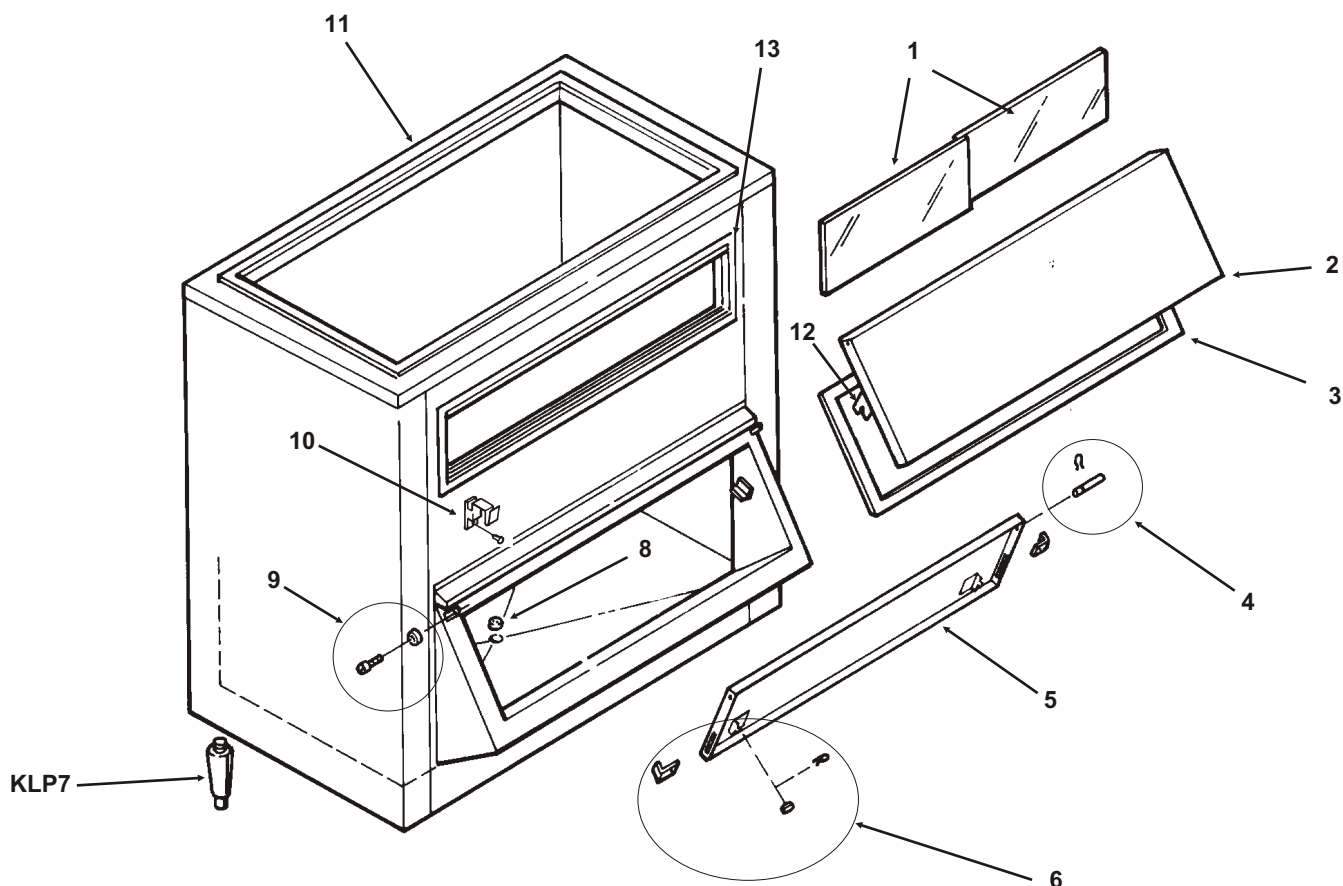
**BH1351/BH1352/BH1360**



Item Number	Part Number	Description
1	A34447-001	Lift door
2	A34448-001	Pivot pin kit
3	A34449-001	Lift door catch
4	A34450-001	Gasket
5	A34451-001	Frame assembly
6	A34452-001	Hinge
7	A34453-001	Ice check door
8	A34454-001	Pivot pin kit for ice check door
9	0501304	Lock bar for ice check door
10	A34456-001	Bumper bracket
11	02-3769-16	Inspection door
12	A34458-001	Track assembly
13	A34459-001	Drain fitting
14	A34460-001	Legs, set of 4
15	0501304	Catch

# Bins, Condensers, and Accessories Service Parts

**BH1370**

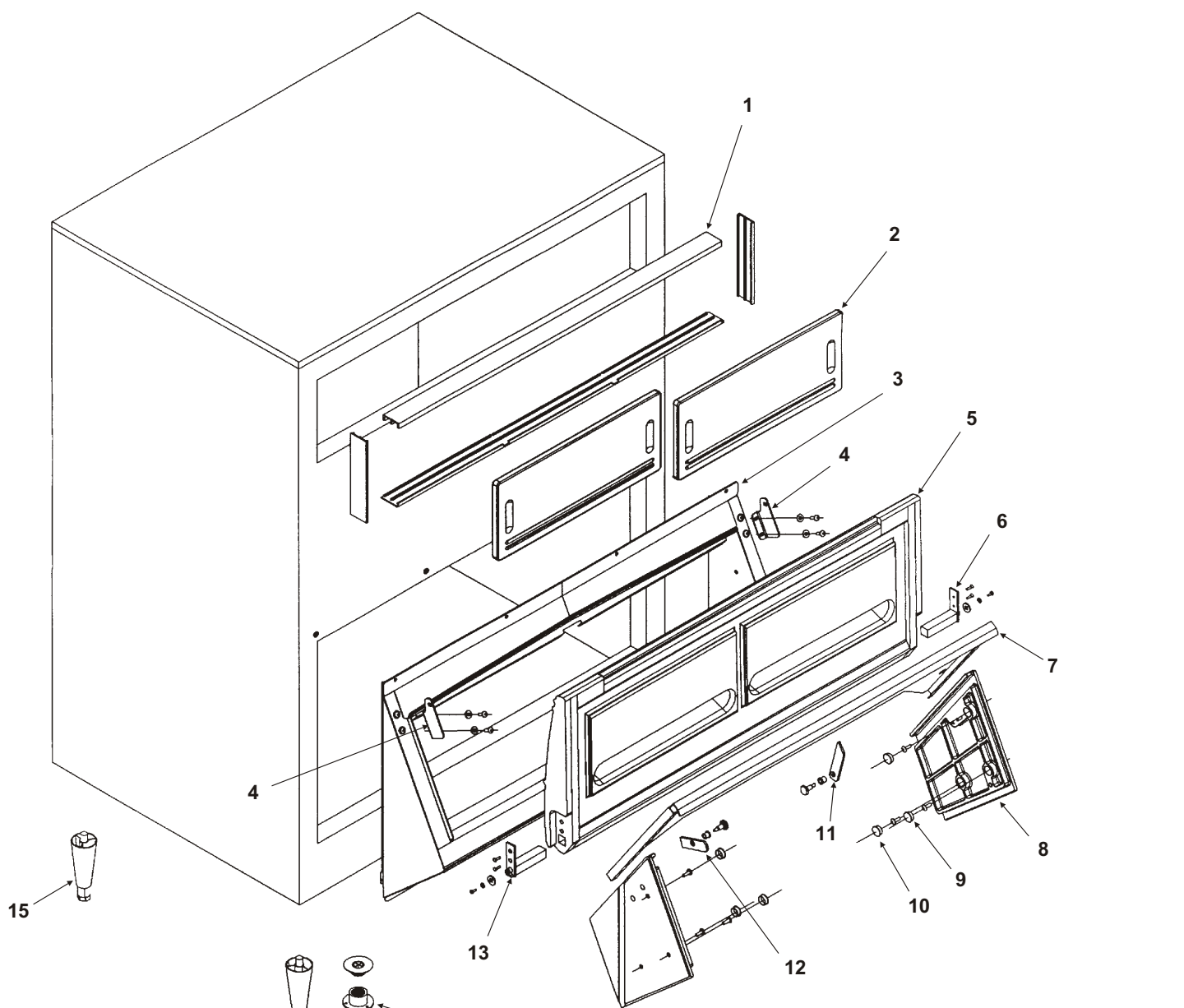


Item Number	Part Number	Description
1	02-3769-16	Inspection door
2	A34447-001	Lift door
3	A34450-001	Gasket
4	02-3603-01	Check door pin kit, set of 2
5	02-3602-01	Ice check door
6	02-3604-01	Lock bar kit, set of 2
7	02-3601-01	Door frame and chute
8	02-3607-01	Drain fitting
9	A34448-001	Door pin kit
10	A34449-001	Lift door catch
11	19-0503-04	Gasket, order by the foot
12	02-3609-01	Check door catch
13	A34458-001	Track kit, complete set



# Bins, Condensers, and Accessories Service Parts

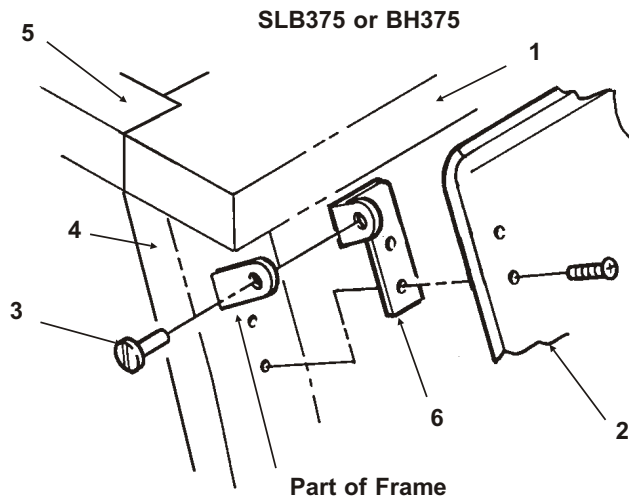
## BH1356, BH1650, BH1366 & BH1666 Ice Storage Bin



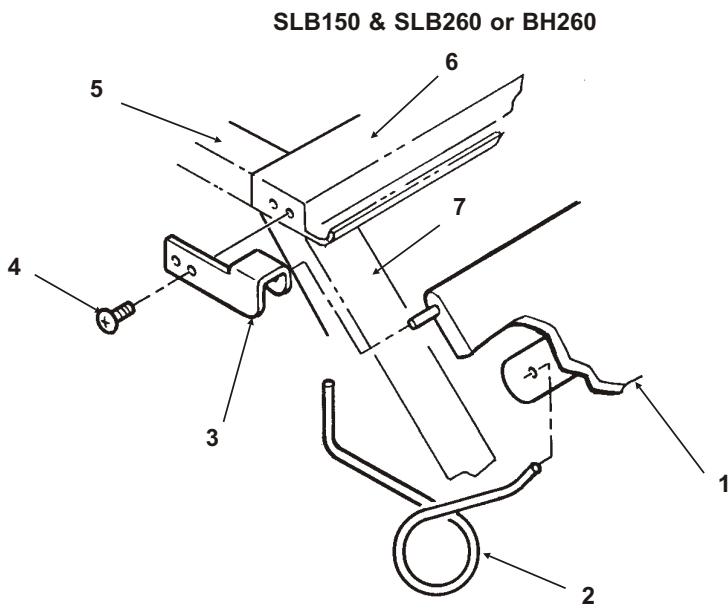
Item Number	Part Number	Description	Item Number	Part Number	Description
1	02-3769-02	Track	8	02-3769-12	End plate guide (pair)
2	02-3769-16	Window	9	02-3769-13	Screws for end plate
3	02-3769-04	Lower frame assy, BH1356 or BH1650	10	02-3769-14	Plugs for end plate
	02-3769-20	Lower frame assy, BH1366 or BH1666	11	02-3769-10	Catch for end plate
4	02-3769-08	Left & right hinges (pair)	12	02-3769-15	Ice gate retainer
5	02-3769-05	Door with door hinges	13	02-3769-06	Left hinge
6	02-3769-07	Right hinge	14	02-3769-01	Plastic drain
7	02-3769-09	Ice gate, BH1356 or BH1650	15	KLP7	Legs
	02-3769-21	Ice gate, BH1366 or BH1666	Not Illustrated		
				02-3769-18	Optional Probe tool
				02-3769-19	Optional Plastic ice shovel
				02-3775-01	Z brackets
				03-1645-01	Screw for Z brackets
				02-3769-17	Gasket (only for BH1366 or BH1666)

# Bins, Condensers, and Accessories Service Parts

## SLB150, SLB260/BH260, SLB375/BH375



Item Number	Part Number	Description
1	C80211705	Canopy
2	C80230902	Bin door assembly (includes hinge)
3	C80206901	Hinge pin
4	C80209504	Door frame assembly
5	19-0503-04	Gasket tape, 90"
6	C80206601	Hinge for door, rt
	C80206602	Hinge for door, left
Not illustrated:		
7	C80399201	Clear button
8	C80511301	Baffle



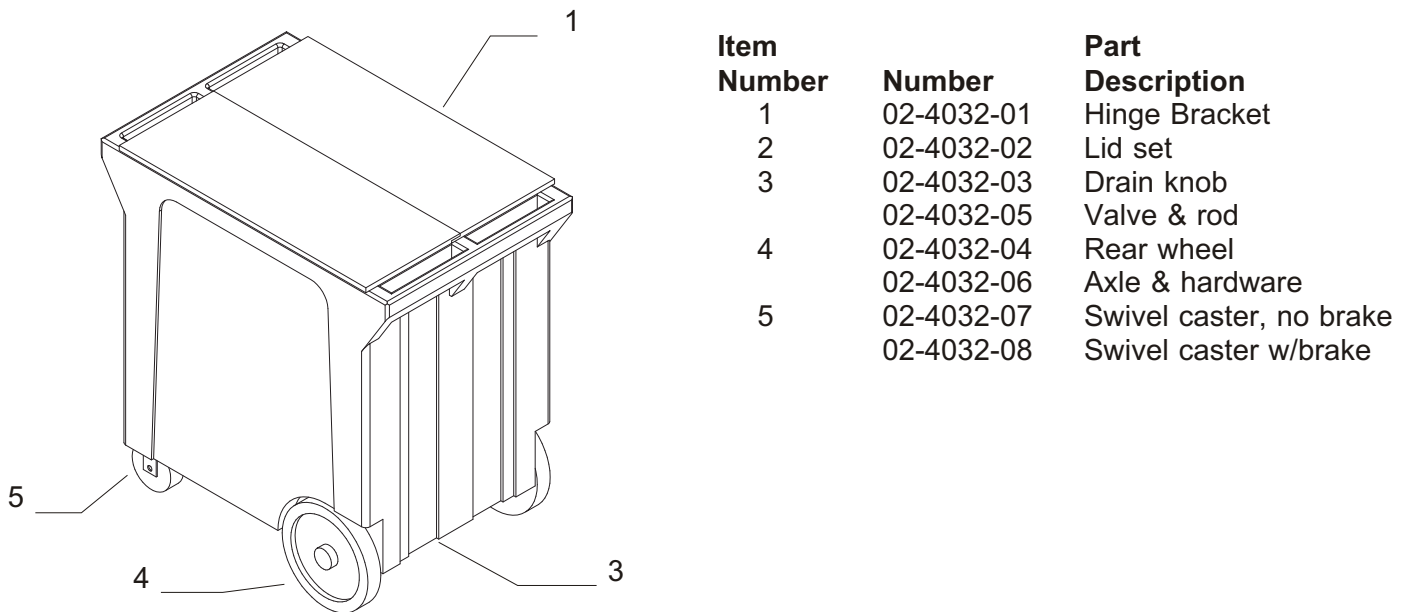
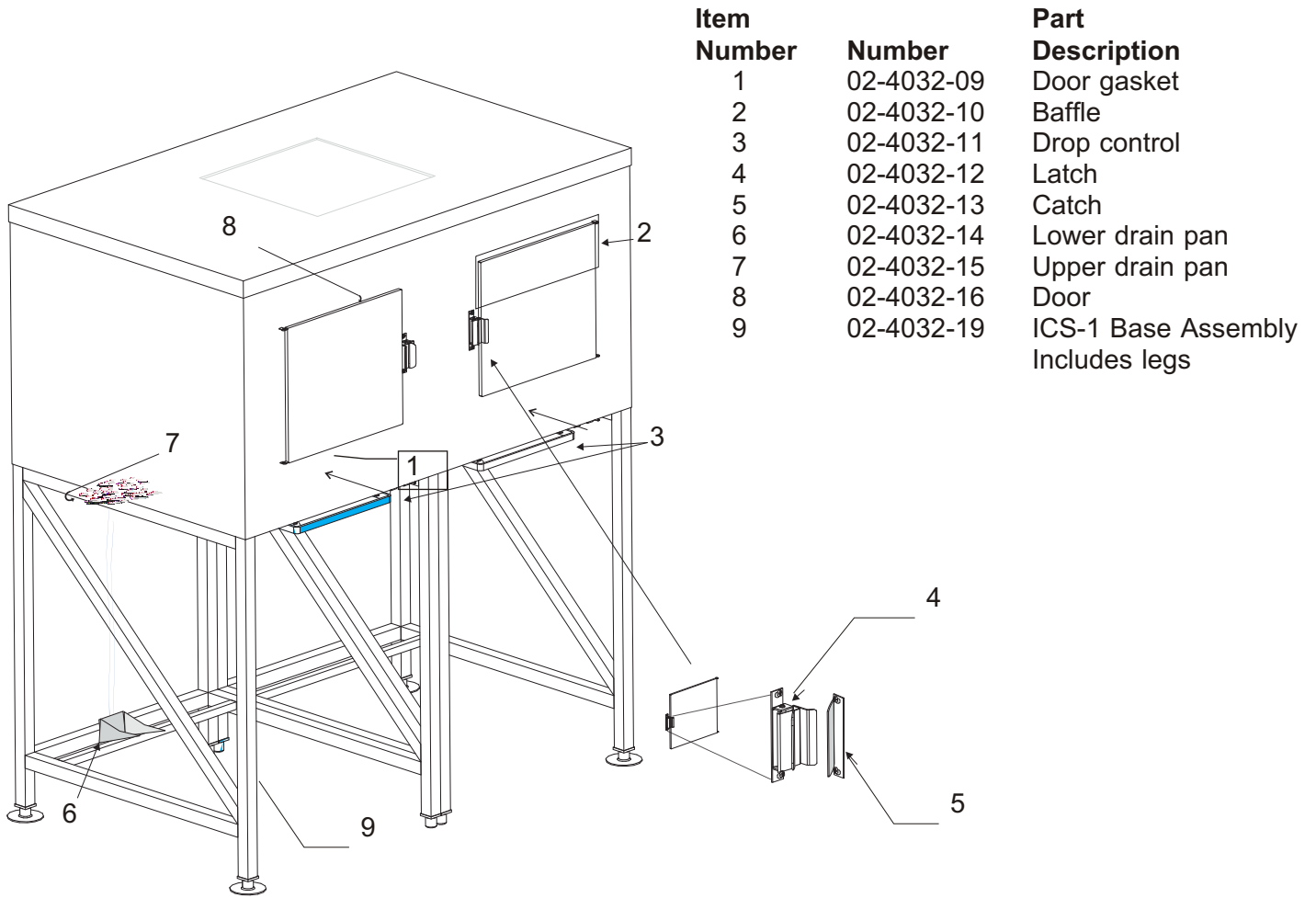
Item Number	Part Number	Description
1	C19475304	Door Assembly
2	C19629100	Door spring
3	C80299602	Left door hinge
	C80299601	Right door hinge
4	C19632604	Hinge pin
5	19-0503-04	Gasket tape, 90"
6	C80307602	Canopy
7	C80309002	Door frame assy
SLB150 Only		
	C34196203	Bin thermo bracket

Bin Drain Parts:	
BH375, SLB375, BH260 and SLB260	
	Female fitting, pn C80205501
	Male fitting, pn C80205301
	Flanged hex nut, pn C80205401
SLB150	
	Drain fitting, pn C36619500
	Drain cup, pn C36619600
	Drain cap, pn C36619400

Not Shown		
KSLDK Key Mech. Kit (Slimline)		
Item Number	Part Number	Description
1	C26203100	Micro switch
2	C42647900	Brass lock housing
3	C42792800	Switch bracket
4	C80417803	Key mech
5	C80575503	Coin mech cover
KSLDC, Coin Mech Kit (Slimline)		
1	C18223900	Term. board
2	12-2858-02	Control Relay
3	C80457301	Coin slide mech.
4	C80457401	Coin box
5	C80457501	Mounting plate
6	C80565701	Timer

# Bins, Condensers, and Accessories Service Parts

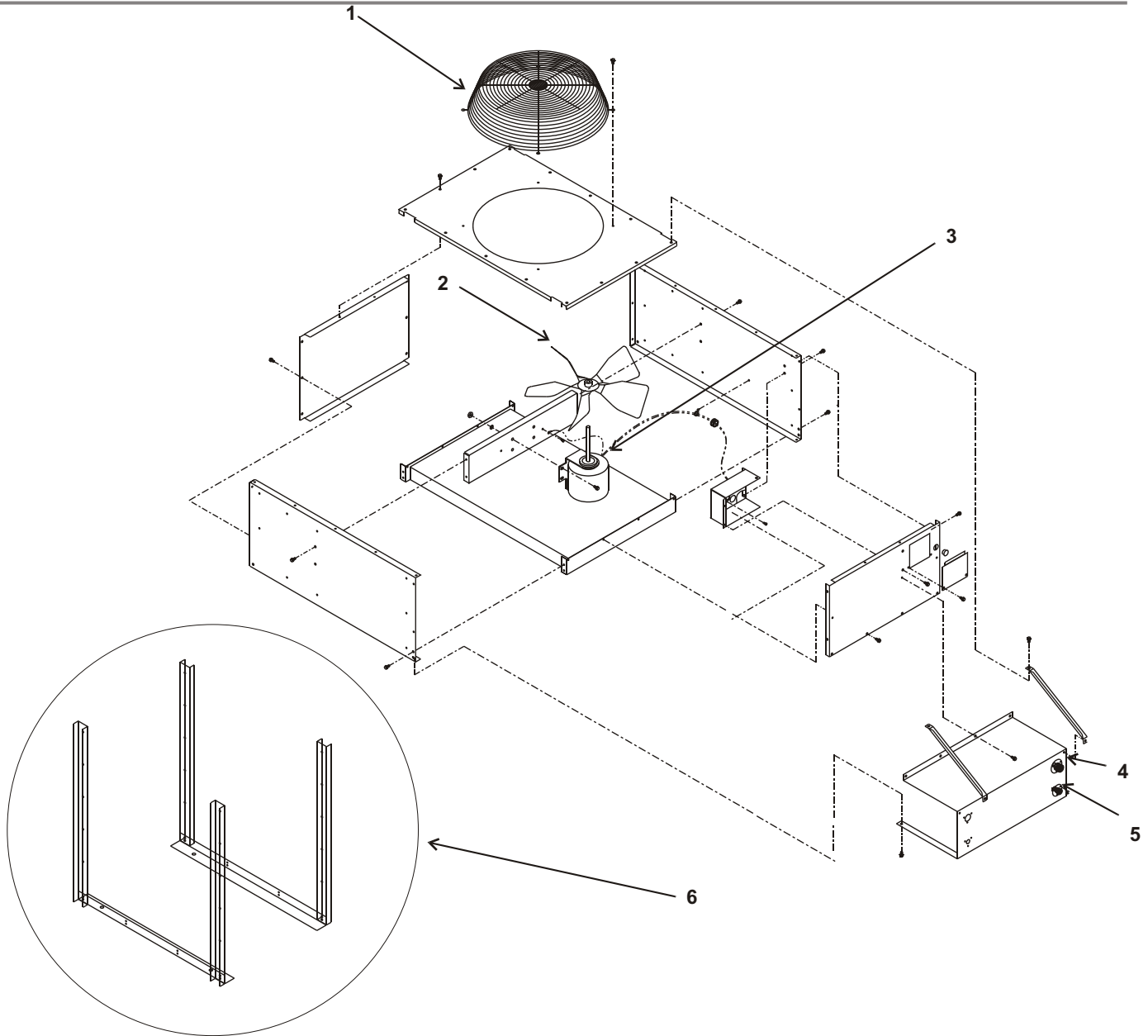
## Ice Cart Systems (ICS1, ICS2, ICS3)



# Bins, Condensers, and Accessories

## Service Parts

### ERC Horizontal Coil Condenser

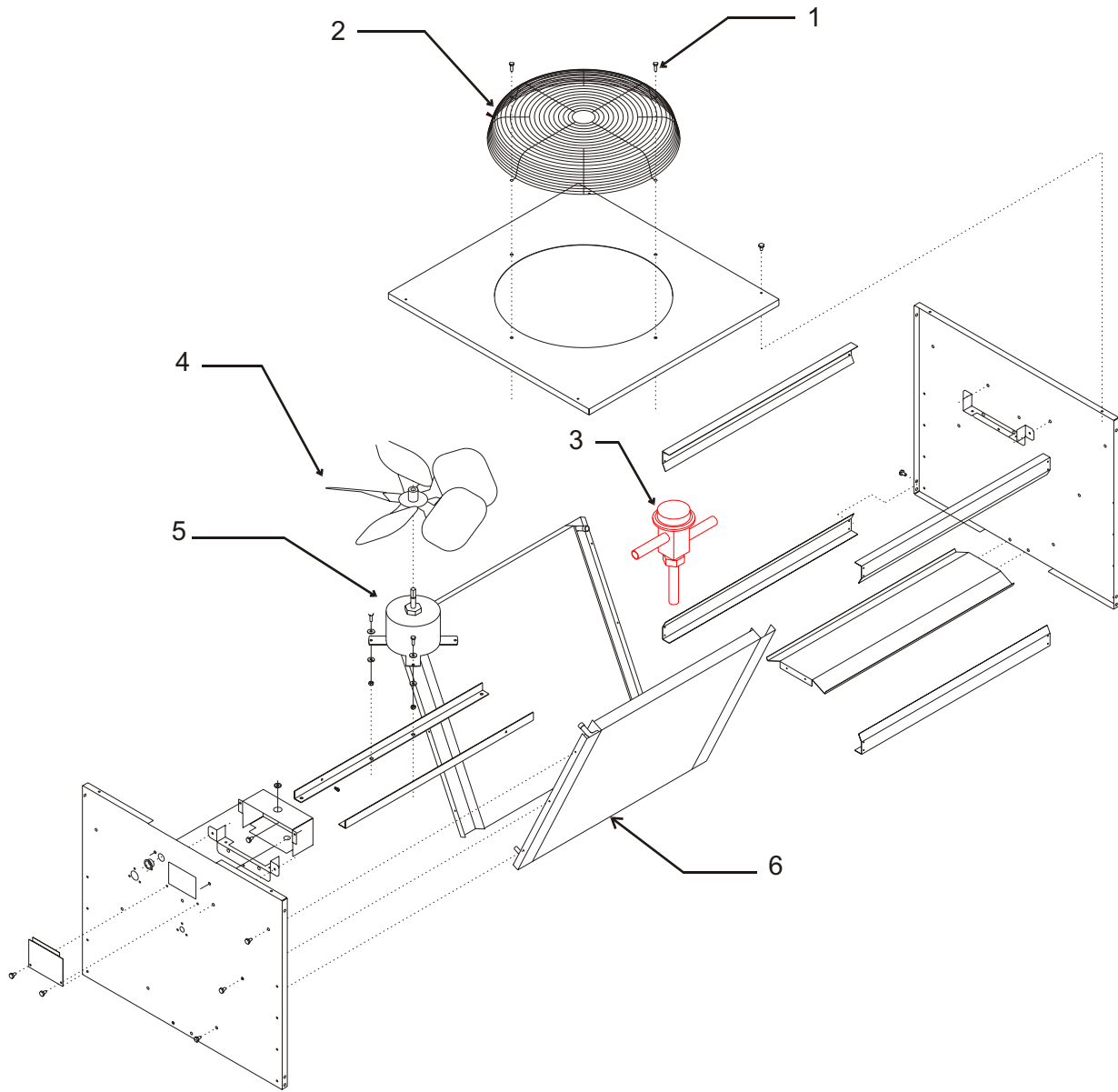


ITEM NUMBER	PART NUMBER	DESCRIPTION
1	02-3575-01	Fan guard
2	18-8800-01	Fan blade
3	18-8796-01	Fan motor ERC101
	18-8796-32	Fan motor ERC151, ERC201, ERC302, ERC401, ERC402
	18-8797-32	Fan motor ERC301
4	16-0850-01	Quick connect, discharge
5	16-0850-03	Quick connect, liquid
6	A36990-001	Leg kit for ERC101, 151, 201, 301, 302
	not available	Leg kit for ERC401, 402

# Bins, Condensers, and Accessories

## Service Parts

### ERC V Coil Condenser ERC111, 211, 311, 411, ERC680, ERC1086



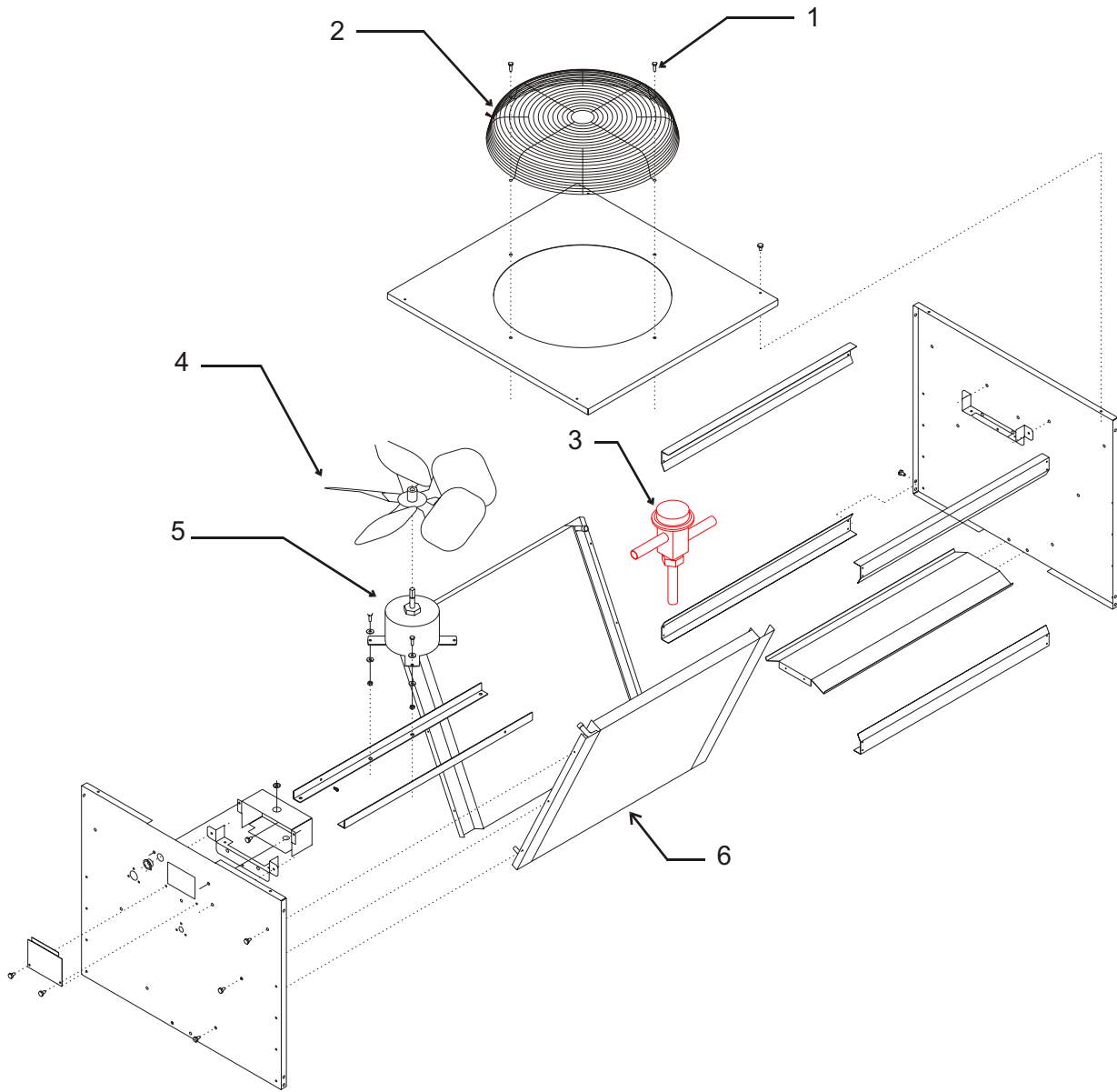
Item Number	Part Number	Description
1	03-1645-03	Screw
2	02-3575-01	Fan guard,
3	16-1025-01	Headmaster, ERC411
	16-1044-01	Headmaster, all others
4	18-8816-01	Fan blade
5	12-2651-01	Fan motor, ERC311, 411, 680, 1086
	12-2651-02	Fan motor, ERC111, 211
6	18-8815-01	Coil for ERC111/1086/411
	18-8827-01	Coil for ERC311/680

**Not Shown:**

- A37169-001 Leg - fits all
- A37170-001 Leg brace, ERC111, 211, 311, 411, 680, 1086
- 03-1645-01 Screw for legs
- ERC111, 211, 311, 411
- 16-0850-01 Quick connect, discharge
- 16-0850-03 Quick connect, liquid
- ER680, 1086, ER2C6810, 1316:
- 16-1057-04 Quick connect, discharge
- 16-1057-03 Quick connect, liquid.....
- Fan motor run capacitor: 18-8878-01
- Line set ends: KTE4 (set of all 4)
- Eclipse line set ends: KTE6 (set of all 6)
- EH Eclipse Line Set Ends; KTE6-EH

# Bins, Condensers, and Accessories Service Parts

## ERC V Coil Condenser, ERC611, ERC2086, ER2C6810, ER2C1316



Item Number	Part Number	Description
1	03-1645-01	Screw
2	02-3770-01	Fan guard
3	16-1044-01	Headmaster, ERC611
4	18-8820-01	Fan blade
5	12-2717-01	Fan motor
6	18-8819-01	Coil for ERC611/2086/6810

ER680, 1086, ER2C6810, 1316:

- 16-1057-04 Quick connect, discharge
- 16-1057-03 Quick connect, liquid

Fan motor run capacitor: 18-8878-01

Line set ends: KTE4 (set of all 4)

Eclipse line set ends: KTE6 (set of all 6)

**Not Shown:**

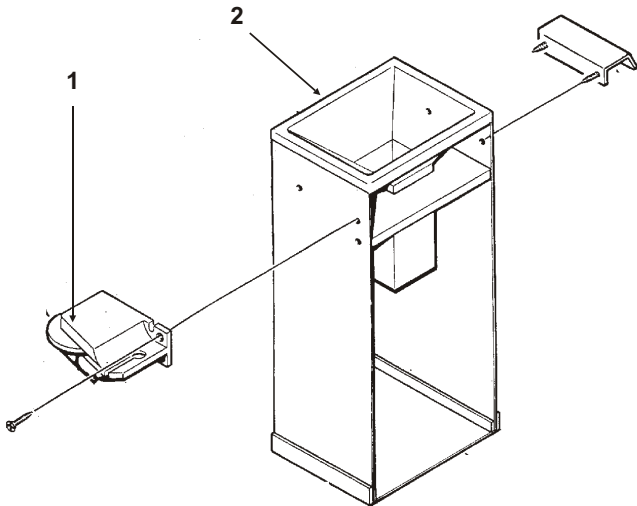
- A37169-001 Leg - fits all
- A37296-001 Leg brace,
- 03-1645-01 Screw for legs

**ERC611:**

- 16-0850-01 Quick connect, discharge
- 16-0850-03 Quick connect, liquid

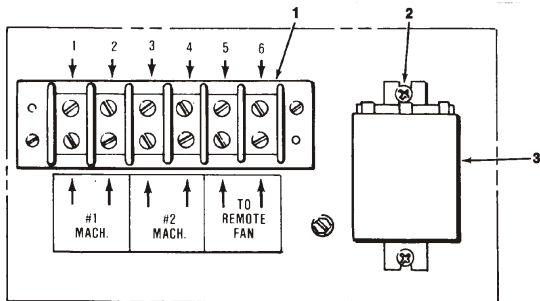
# Bins, Condensers, and Accessories Service Parts

## Bagger; Fan Relay Box, KDIL Thermostats



### SPEEDY BAGGER

Item Number	Part Number	Description
1	02-3261-01	Holder, tape roll
2	02-3259-01	Ice chute



### KCMR230 & KCMR-115 Fan Relay Kit: Two Remote Ice Makers on One Condenser

ITEM NUMBER	PART NUMBER	DESCRIPTION
1	12-0813-03	Terminal Strip
2	03-1403-21	Screw
3	12-2070-04	Relay - 230 volt
	12-2070-01	Relay - 115 volt

### KDIL Thermostats

KDIL-N - thermostat part number is 11-0353-23

KDIL-C - thermostat part number is 11-0427-23

### Modular Hardware - cabinet to bin

A30911-015 Mounting Straps

03-1405-13 Mounting bolt

### Thermostat brackets

02-3740-01 CM<sub>3</sub> 1056 & up

03-1675-03 Bolt (plastic head)

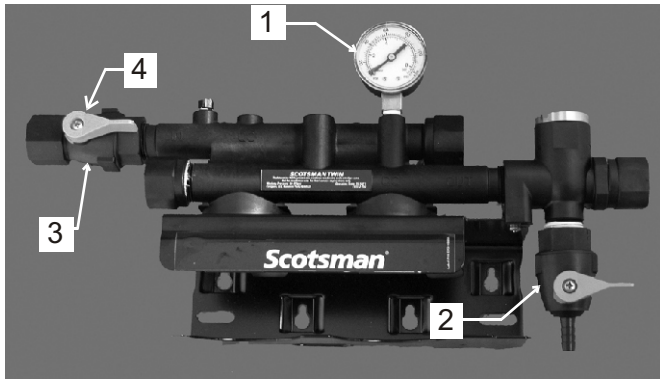
### CM<sup>3</sup> Thermostats

11-0427-23 thin cap tube

11-0521-21 bulb cap tube

# Bins, Condensers, and Accessories Service Parts

## Water Filters



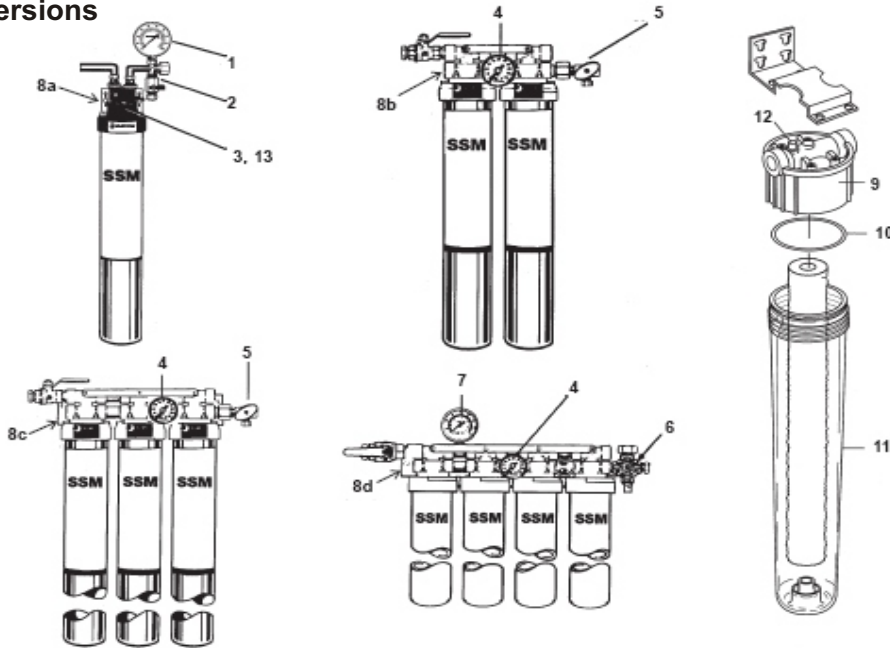
### SSM1, SSM2, or SSM3 Water Filters Parts Current Version

Item	SSM1	SSM2, 3	Description
1	02-3790-15	02-3790-15	Gauge
2	02-3790-16	02-3790-19	Flushing Valve
3	-	02-3790-20	Inlet Valve
4	02-3790-21	-	Valve handle

### Pre-Filter Parts - Current Version

9n	02-3790-22	Head assembly
10n	02-3790-23	O-ring
11n	02-3790-24	20" bowl
	02-3790-25	10" bowl

### Prior Versions



### Current Pre Filter



### Prior Version Parts

Item Number	Part Number	Description	Item Number	Part Number	Description
1	02-3790-15	Outlet gauge	8c	02-3790-03	Triple bracket
2	02-3790-16	Activation valve, single	8d	02-3790-04	Quad bracket
3	02-3790-12	Valve stem		02-3790-05	Screw for bracket
4	02-3790-14	Outlet gauge	9	02-2790-06	Prefilter head
5	02-3790-17	Activation valve	10	02-3790-07	Ring seal
6	02-3790-18	Activation valve, quad	11	02-3790-08	20" bowl
7	02-3790-13	Pressure gauge		02-3790-09	10" bowl
8a	02-3790-01	Single bracket	12	02-3790-10	Pressure relief kit
8b	02-3790-02	Dual bracket	13	02-3790-11	Valve handle



# Bins, Condensers, and Accessories Service Parts

## Accessories & DMS Parts

---

Description	Part Number
Ice Scoop, large	02-0540-01
Ice scoop, small	02-3070-01
Scoop holder (wire)	02-3647-01
Scoop holder (SS)	A35447-001
Water inlet strainer ¼"	16-0162-00

### Cleaners:

Clear 1 Scale Remover - non-diluted liquid	
Case of 12 (16) ounce bottles	19-0653-12
Pre-mixed liquid Scale Remover	
Case of 12 squirt bottles	19-0664-12

### Sanitizer:

Case of 100 two oz packets	14-0382-01
----------------------------	------------

### Lubricants

Gear oil, 1 pint	A32379-027
Food grade grease	19-0569-03
Bearing grease needle	02-3559-01
Tube of large flaker grease	A36808-001
AFE/MDT Top bearing grease	19-0662-02
Quick connect lube packet	14-0378-01

### Sealant

Food grade sealant	19-0529-01
--------------------	------------

### Legs:

6" leg kit (set of 4) for most Scotsman Bins:	
Black, 5/8 -11 thread	KLP7
6 inch stainless steel security	02-4731-01
8 inch stainless security	02-4731-02
12 inch kit for	
CU1526, CU2026	A40134-002
CU3030	A40134-001
B330P, B530P, B530S	A40134-003

Plastic leg bolts (5/8-11)	03-3915-01
part of KPUFM floor mounting kits	

### ID Adapter Baffle Parts:

*Dispenser model and ice machine model required to identify KBT adapter. See equipment price list for adapter models.*

R620042921 – used on KBT40 – no hardware needed

R620042913 – used on KBT41 – no hardware needed

\*R620042928 - used on KBT42

\*R620042927 – used on KBT43, 44, and 46.

\*Use 2 each of hardware R620701903, R620701901, and R620701902 to attach the baffle.

KBT42 manual fill door: R52944

KBT46, KBT43 and KBT44 manual fill door: R53003

### Misc:

Inlet water valve (white body type) rebuild kit 12-2636-20

Blue body valve rebuild kit: 12-2912-01

Water regulating valve rebuild kit: 11-0559-01 (3/8" only, will not work with Danfoss)

### DMS Machine Stand Panels

DMS31

A34670-003 Left side

A34670-004 Right side

A34671-002 Front

A34673-002 Top

A34666-002 Bottom

DMS21

A33405-001 Left side

A33405-002 Right side

A34659-001 Front

A33407-002 Bottom

A34661-001 Top

### Nugget Dispensing

02-4715-01 Diverter for Cornelius Flavor Fusion

A40403-021 Baffle kit, fits N0422, 0622, 0922 and 1322 at chute. Directs ice away from drop zone.