

Prodigy Eclipse 600, 800, 1000 Service Parts

This part list contains the service parts for the Eclipse 600, 800 and 1000 systems.

The B series references changes to panels.

The models that are covered include:

- EH222 - head
- C0600CP - compressor pack
- C0800CP - compressor pack
- C1410CP - compressor pack
- ERC680 - condenser, one circuit
- ERC1086 - condenser, one circuit
- ER2C6810 - condenser, two circuits

Head voltage is independent of the condensing unit voltage.

Voltage codes:

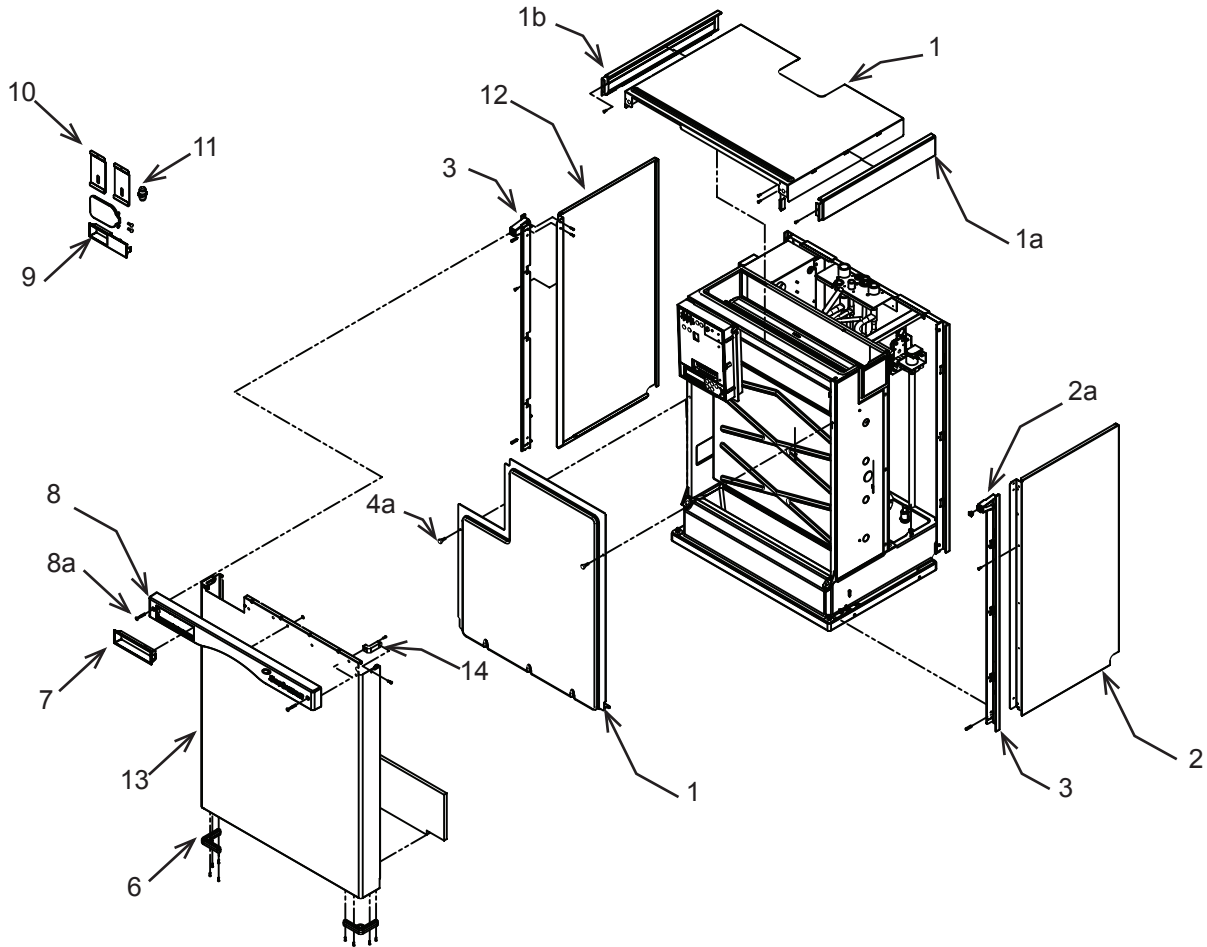
- 1 = 115/60/1
- 3 = 208-230/60/3
- 6 = 230/50/1
- 32 = 208-230/60/1

Contents

EH222 Cabinet - <u>A Series</u>	Page 2
EH222 Cabinet - <u>B Series</u>	Page 3
Back Panel Assembly	Page 4
EH222 Interior Parts	Page 5
EH222 Water System	Page 6
EH222 Refrigeration	Page 7
EH222 Electrical	Page 8
C0600CP, C0800CP and C1410CP Cabinet	Page 9
C0600CP, C0800CP and C1410CP Refrigeration Components	Page 10
C0600CP, C0800CP and C1410CP Compressors	Page 11
C0600CP, C0800CP and C1410CP Control Box	Page 12
C0600CP, C0800CP and C1410CP Condensers	Page 13
EH222 Schematic Diagram	Page 14
EH222 Wiring Diagram	Page 15
C0600CP, C0800CP and C1410CP Single Phase Schematic Diagram	Page 16
C0600CP, C0800CP and C1410CP Single Phase Wiring Diagram	Page 17
C0600CP, C0800CP and C1410CP Three Phase Schematic Diagram	Page 18
C0600CP, C0800CP and C1410CP Three Phase Wiring Diagram	Page 19
50 Hz Model Wiring and Schematic Diagram	Page 20

Prodigy Eclipse 600, 800, 1000 Service Parts

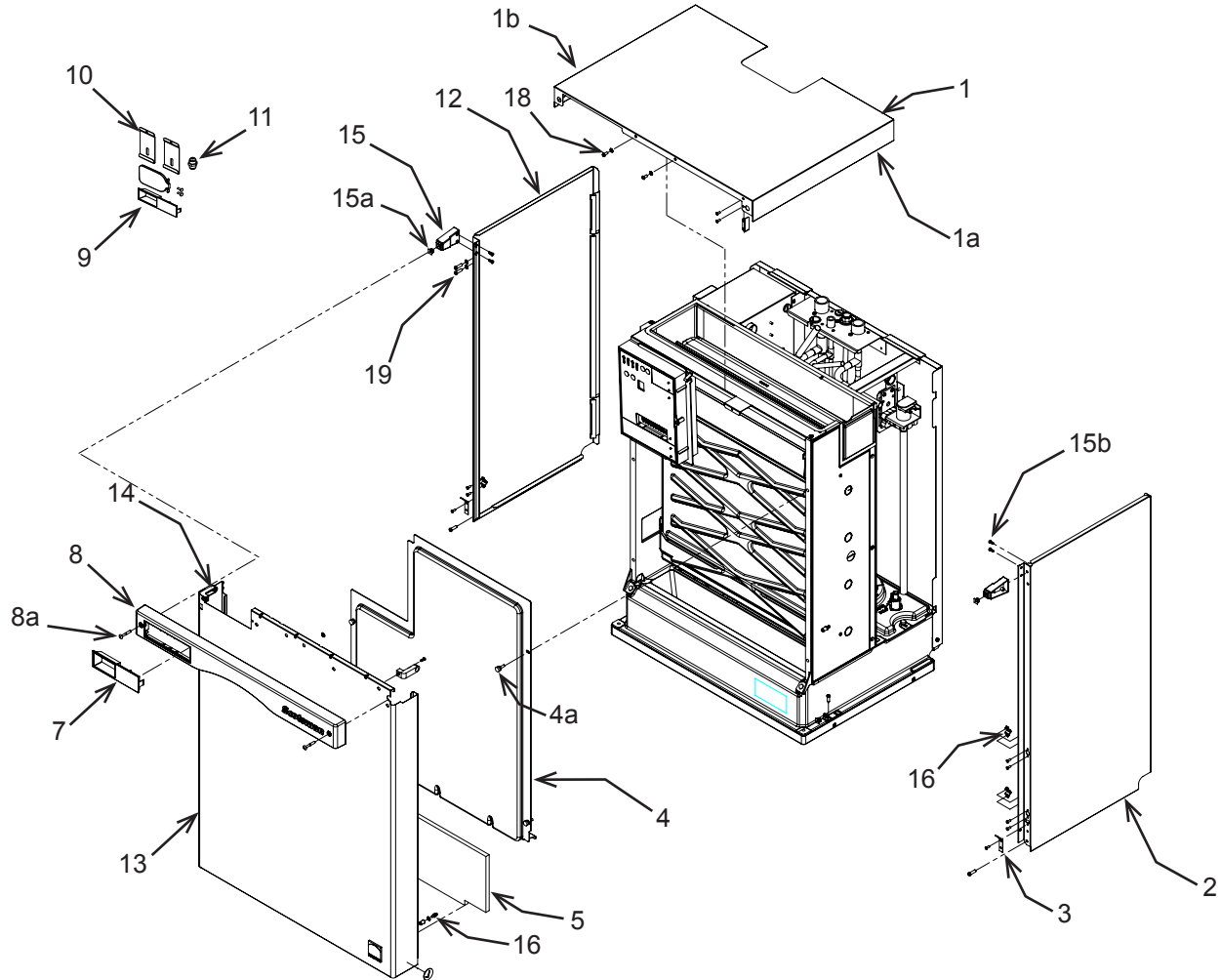
EH222 Cabinet - A Series



Item Number	Part Number	Description
1	A39074-021	Top panel
1a	02-4221-04	Trim strip
1b	02-4221-03	Trim strip
2	A38553-023	Right side panel, includes item 3
3	02-4067-03	Side panel support
4	02-4341-01	Evaporator cover
4a	03-0727-05	Thumb screw
5	02-4324-01	Insulation
6	02-4217-01	Bottom gusset
7	02-4284-01	Bezel, full window
8	02-4214-01	Trim strip
8a	03-1735-03	Screw
9	02-4284-02	Bezel, partial window
10	A39209-001	Machine strap
11	16-1036-01	Flare union
12	A38551-025	Left side panel, includes item 3
13	A38552-026	Front panel, includes items 5, 8, 6, 15 and 7
14	02-4216-01	Upper gusset

Prodigy Eclipse 600, 800, 1000 Service Parts

EH222 Cabinet - B Series

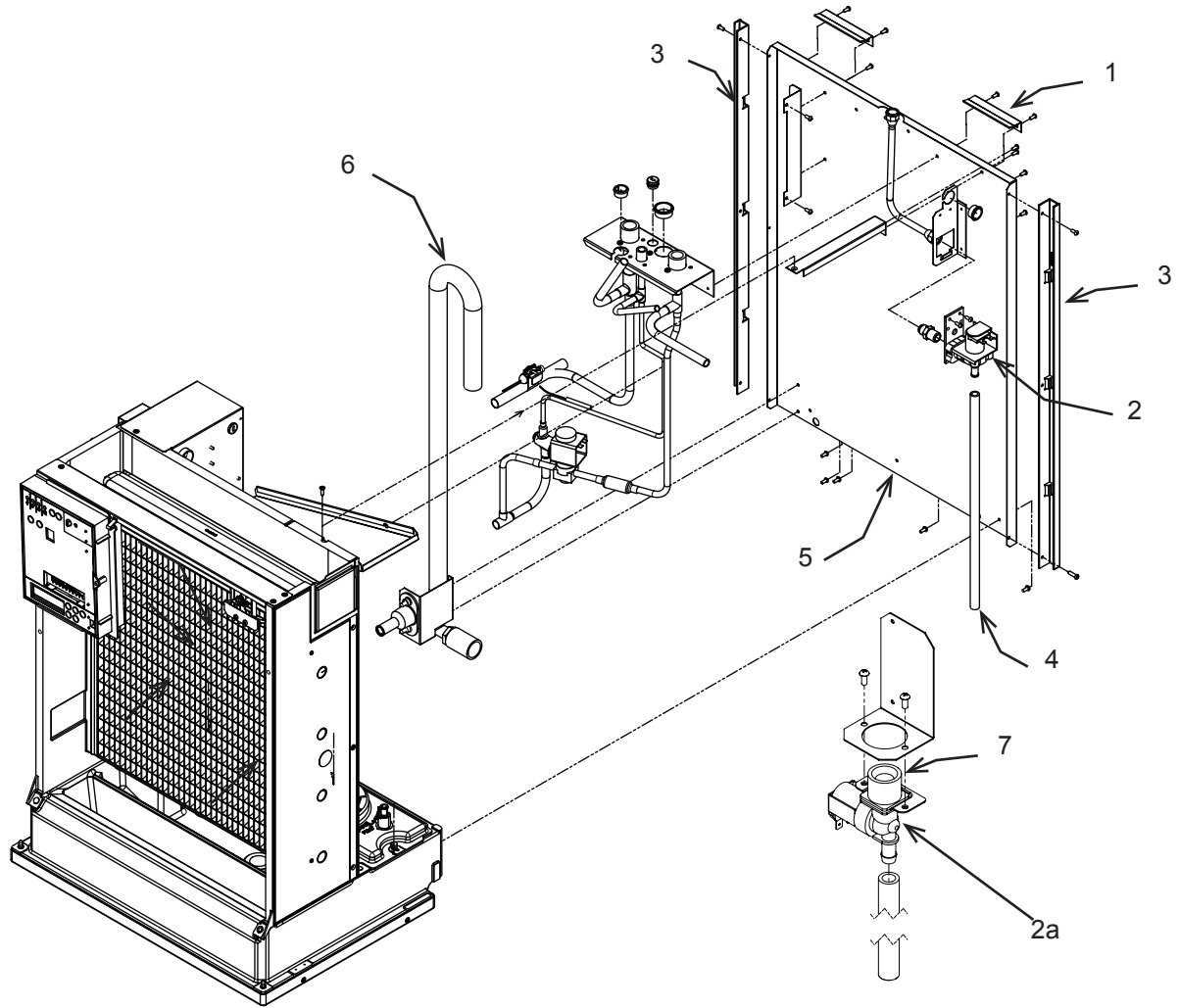


Item Number	Part Number	Description
1	A39074-021	Top panel
1a	02-4221-04	Trim strip*
1b	02-4221-03	Trim strip*
2	A39589-021	Right side panel, 60 Hz
	A39589-022	Right side panel, 50 hz
3	A39571-001	Panel clip
4	02-4341-01	Evaporator cover
4a	03-0727-05	Thumb screw
5	02-4324-01	Insulation
6	02-4217-01	Bottom gusset
7	02-4284-01	Bezel, full window***
8	02-4214-01	Trim strip
8a	03-1735-03	Screw
9	02-4284-02	Bezel, partial window**
10	A39209-001	Machine strap
11	16-1036-01	Flare union
12	A39580-025	Left side panel, 60 Hz
	A39580-027	Left side panel, 50 hz
13	A39578-026	Front panel, includes items 5, 8, 6, 15 and 7
14	02-4216-01	Upper gusset
15	02-4215-01	Receptacle
15a	03-3804-01	Screw receptacle
15b	03-3836-02	Screw, hi-lo
16	03-1733-04	Catch^
17	03-1733-01	Strike^
18	03-1531-08	Screw^
	03-1417-27	Washer^
19	03-1404-12	Screw

* Side trim strips discontinued mid 2011.
 ** Item 9 assembled to front panel and item 7 shipped loose, mid 2011.
 *** Item 7 discontinued from production 2/8/2012.
 ^ 50 Hz model only

Prodigy Eclipse 600, 800, 1000 Service Parts

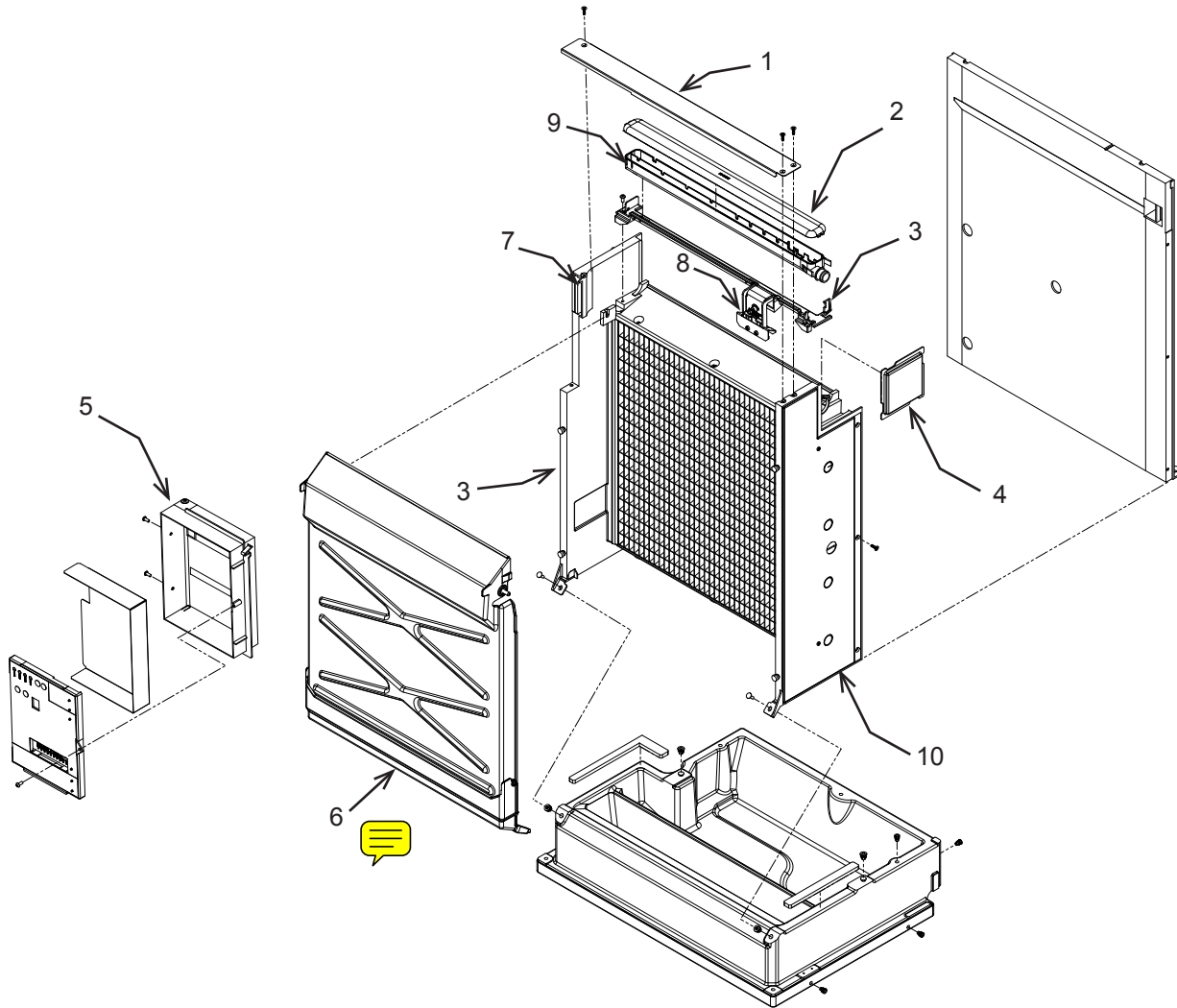
Back Panel Assembly



Item Number	Part Number	Description
1	A39070-001	Top panel bracket
2	12-2922-01	Inlet water sol valve, 60 Hz
2a	11-0568-02	Inlet water sol valve, 50 Hz
3	02-4067-05	Panel support
4	13-0674-02	Tube, use 16 in
5	A39065-001	Back panel, A series
	A39664-001	Back panel, B series
6	02-4290-01	Vent hose
Not shown		
7	02-4716-01	Water inlet tube, 50 Hz only

Prodigy Eclipse 600, 800, 1000 Service Parts

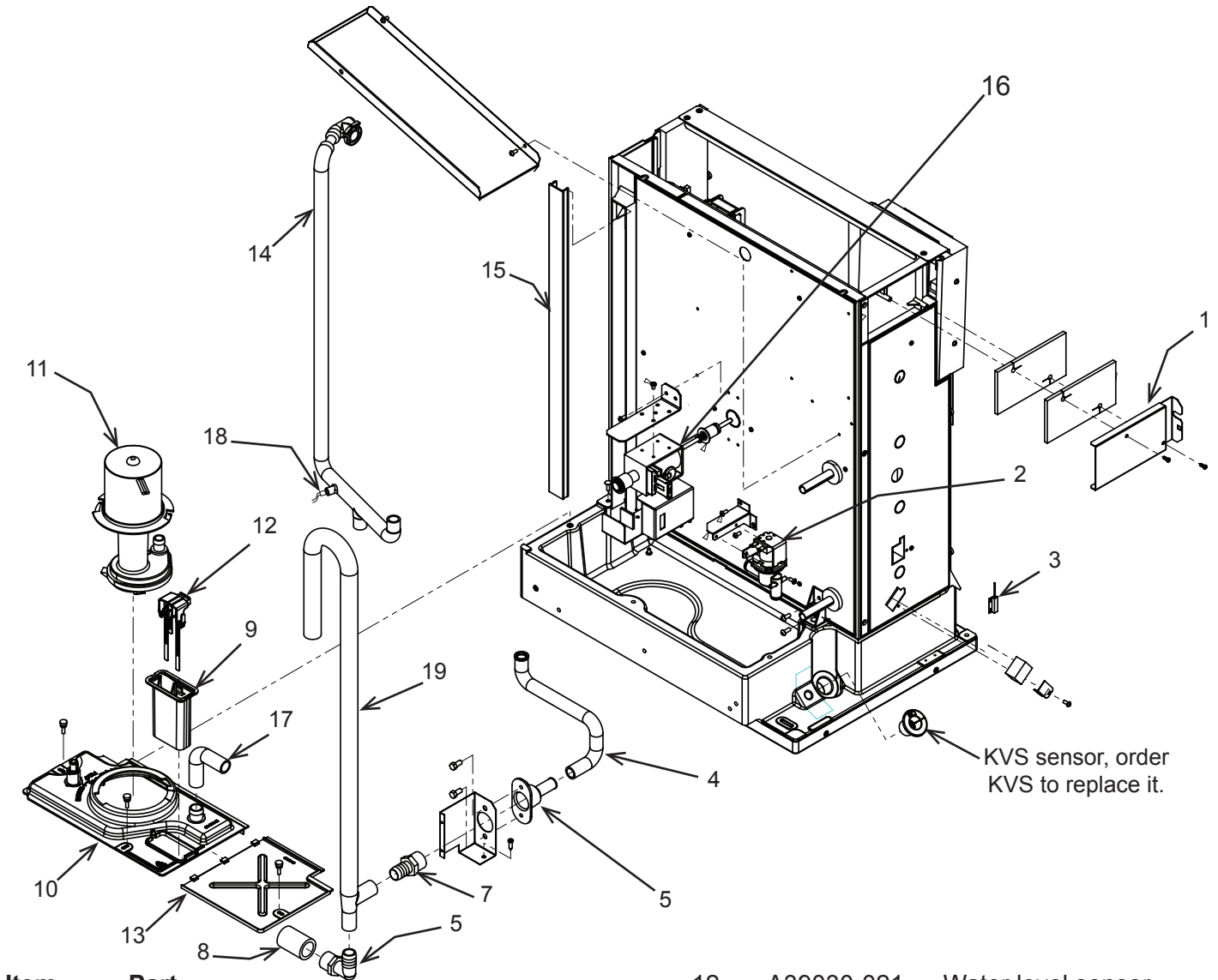
EH222 Interior Parts



Item Number	Part Number	Description
1	A39078-001	Bracket
2	02-4065-01	Water distributor cover
3	02-4205-02	Mounting bracket
4	02-4297-01	Evap side cover
5	02-4343-01	Controller box
6	02-4611-21	Curtain only (articulated) for units after sn 10101320010556 or those using articulated curtain
	A39843-001	Curtain kit, includes magnet and curtain switch
6a	11-0563-02	Magnet for single part curtain - single part curtains only
7	A39053-021	Evaporator, small cube
	A39053-022	Evaporator, med cube
8	A39031-021	Ice thickness sensor
9	02-4064-02	Water distributor
10	A39054-001	Left surround
	A39056-001	Right surround

Prodigy Eclipse 600, 800, 1000 Service Parts

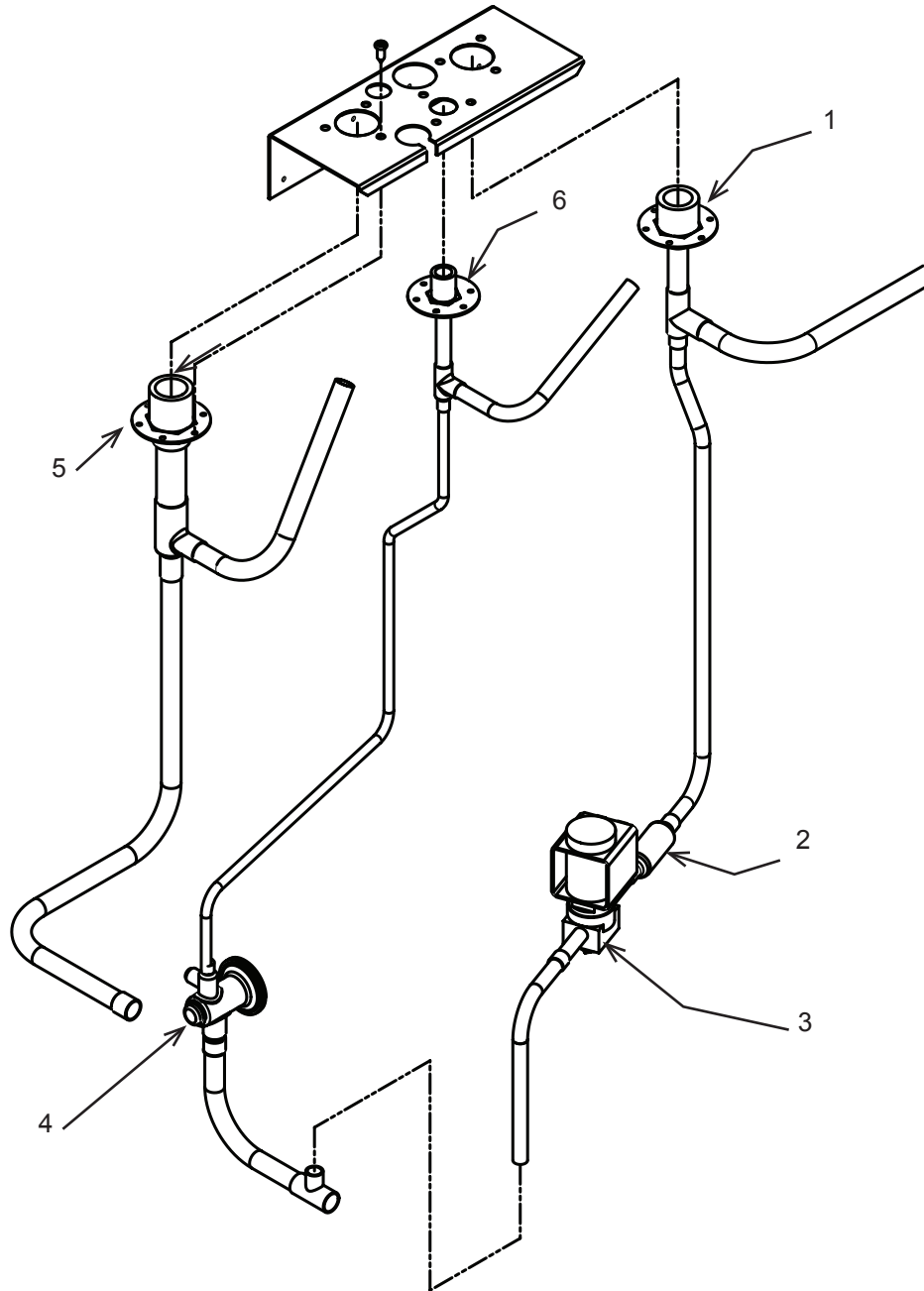
EH222 Water System



Item Number	Part Number	Description	Item Number	Part Number	Description
1	A39277-001	Chase cover	12	A39030-021	Water level sensor
2	11-0564-01	Purge valve	13	02-4292-01	Sump cover
3	11-0563-03	Curtain switch	14	02-4286-01	Pump hose
4	A39232-002	Drain hose	15	02-4296-01	Hose cover
5	02-3692-21	Drain adapter	16	12-3060-21	Harvest assist sol, 60 Hz
6	16-1099-01	Fitting		12-3060-22	Harvest assist sol, 50 Hz
7	16-1134-01	Elbow	17	A39232-001	Drain tube, inlet
8	16-1099-02	Coupling, pvc	18	11-0515-21	Water temp sensor
9	02-4332-01	Sensor cover, prior	19	02-4290-01	Drain and vent tube
9a	02-4646-01	Sensor guard, fits 10a			
10	02-4291-01	Pump bracket - fits 9			
10a	02-4650-01	Pump bracket for sensor guard, use began w/11121320011187. Fits 9a			
11	12-2920-24	Water pump, 60 Hz			
	12-2920-25	Water pump, 50 Hz			

Prodigy Eclipse 600, 800, 1000 Service Parts

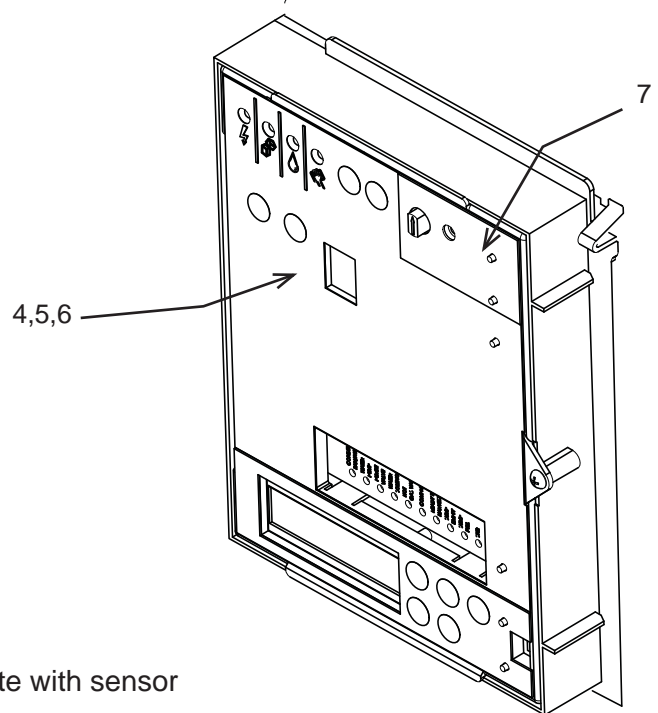
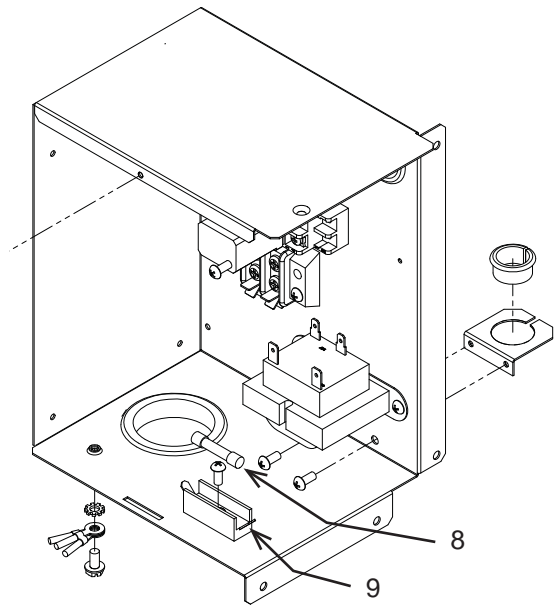
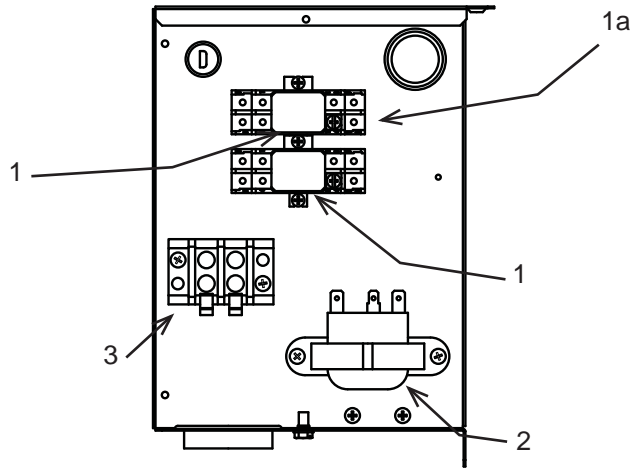
EH222 Refrigeration



Item Number	Part Number	Description
1	16-0850-01	Quick connect, vapor
2	16-1063-01	Strainer - discontinued 2012
3	11-0493-02	Vapor solenoid valve - 60 Hz
	11-0491-01	Vapor solenoid valve, - 50 Hz
4	16-1142-01	TXV
4a	02-4405-01	Insulation, TXV
5	16-0850-04	Quick connect, suction
6	16-0850-03	Quick connect, liquid

Prodigy Eclipse 600, 800, 1000 Service Parts

EH222 Electrical



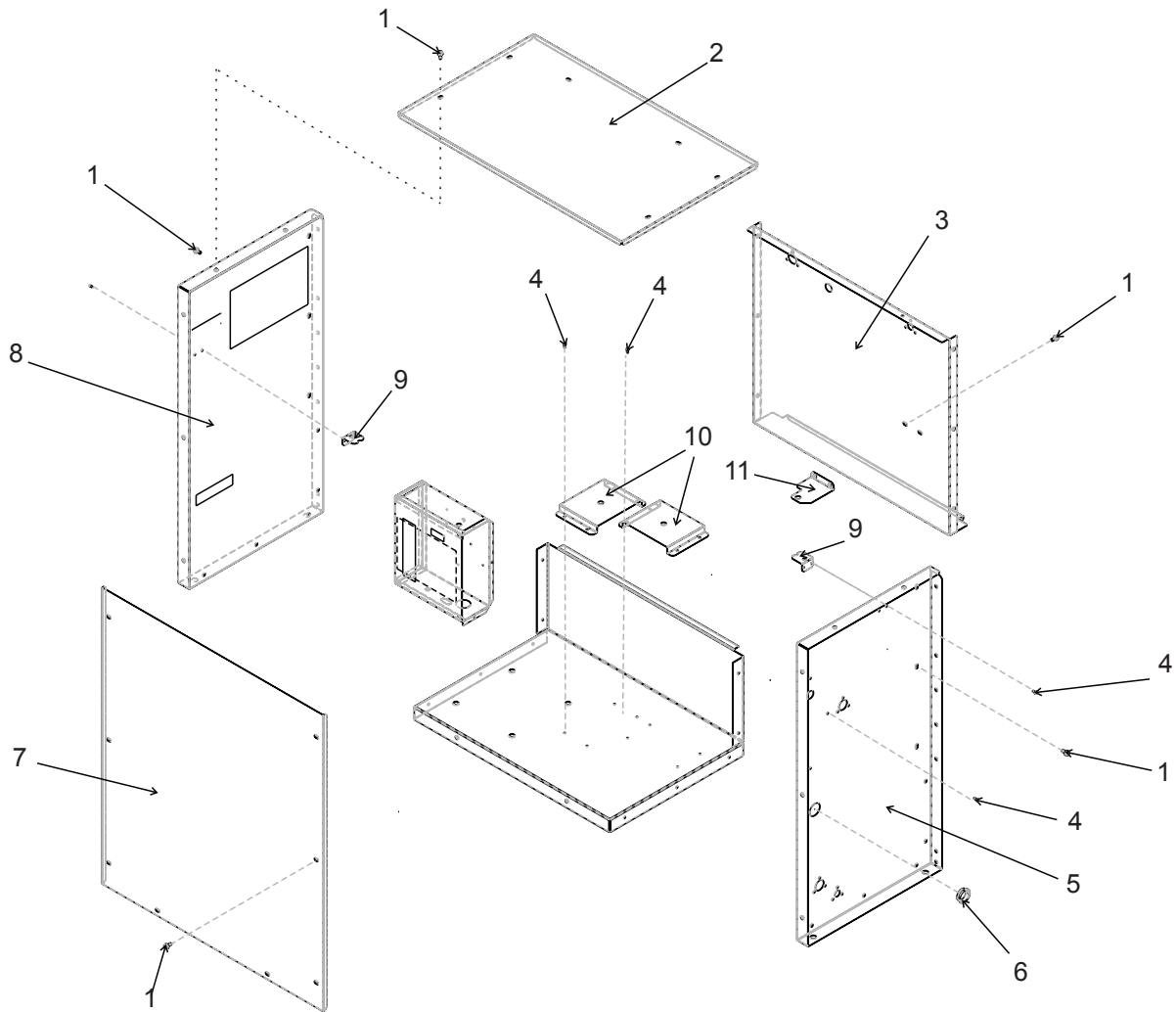
Item Number	Part Number	Description
1	12-2949-01	Relay, 60 Hz
	12-2949-03	Relay, 50 Hz
1a	12-2949-02	Relay base
2	12-2924-01	Transformer, 60 Hz
	12-2639-01	Transformer, 50 Hz
3	12-2780-01	Terminal strip
4	11-0550-28	Controller
5	02-4189-01	Overlay label
6	02-4076-01	Control box door
7	KVS	Vari-Smart control, complete with sensor
8	12-2686-01	Fuse, 50 Hz only
9	12-2687-01	Fuse holder, 50 Hz only

Not shown:

10	12-1638-19	Power cord, 60 Hz
	12-1638-25	Power cord, 50 Hz
11	12-2957-01	High voltage harness, 60 Hz
	12-3074-02	High voltage harness, 50 Hz
12	12-2954-01	Low voltage harness, 60 Hz
	12-3072-01	Low voltage harness, 50 Hz
13	12-2928-01	Water level sensor harness

Prodigy Eclipse 600, 800, 1000 Service Parts

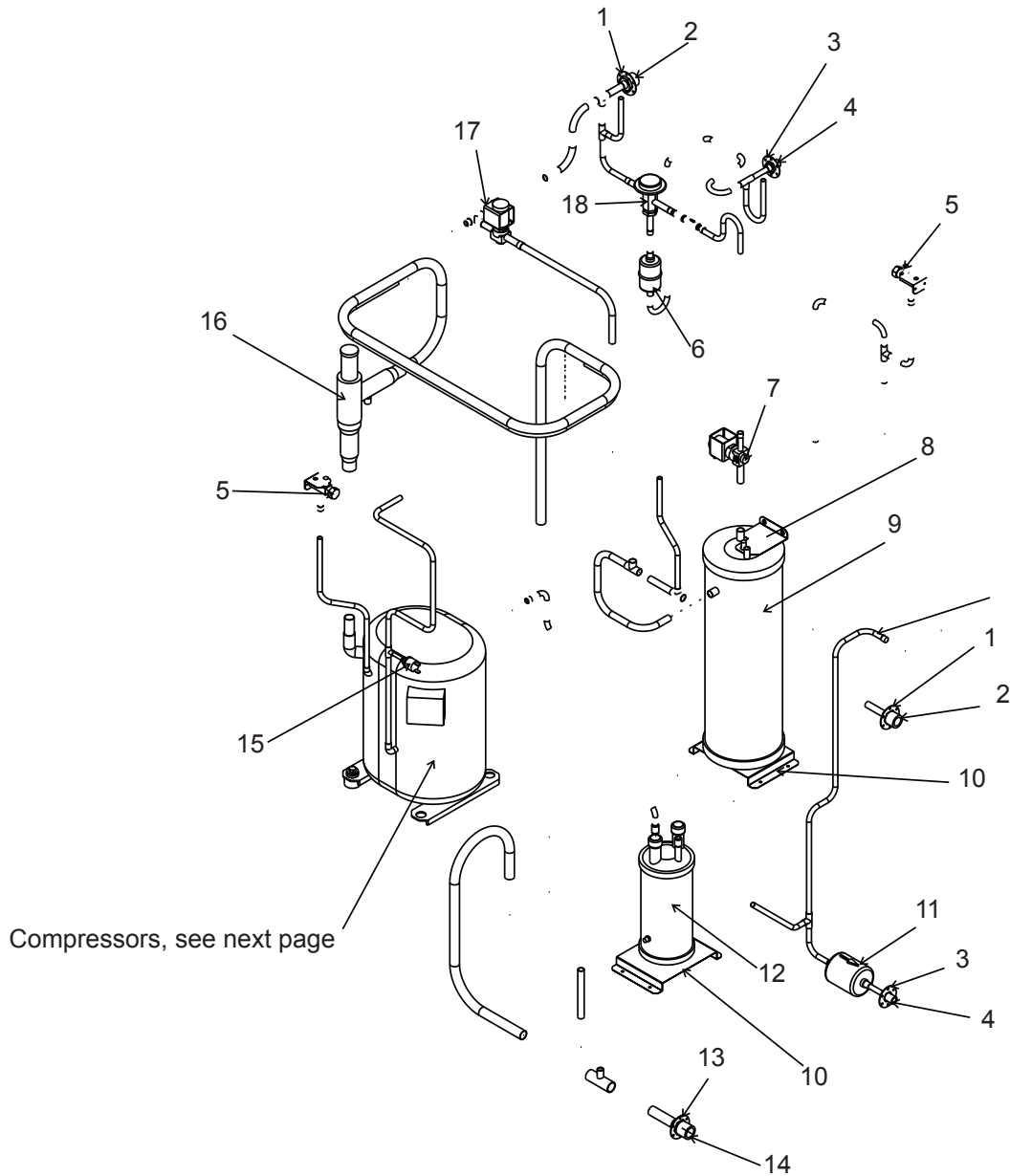
C0600CP, C0800CP and C1410CP Cabinet



Item Number	Part Number	Description
1	03-1645-01	Screw
2	A37853-001	Top cover
3	A37845-001	Back panel
4	03-1531-01	Screw
5	A37829-001	Right side panel
6	12-1213-20	Snap bushing
7	A37896-001	Front cover
8	A37829-002	Left side panel
9	A37962-001	Service valve bracket
10	A37948-001	Receiver or accumulator bracket
11	A37949-001	Receiver top bracket
12	A38430-001	Control box cover

Prodigy Eclipse 600, 800, 1000 Service Parts

C0600CP, C0800CP and C1410CP Refrigeration Components



Item Number	Part Number	Description
1	16-0701-14	Mounting flange
2	16-0850-01	Male quick connect - discharge
3	16-0701-07	Mounting flange
4	16-0850-03	Male quick connect - liquid
5	16-0832-20	Access valve
6	02-3231-02	Filter
7	11-0546-01	Liquid inlet valve (N.O.)
8	A37949-001	Top bracket
9	16-1085-01	Receiver
10	A37948-001	Bottom bracket
11	02-3319-02	Filter dryer
12	16-0801-22	Suction accumulator
13	16-0701-18	Mounting flange
14	16-0850-04	Male quick connect - suction
15	11-0501-22	Hi press cut out
16	16-1096-21	CPR valve
17	11-0507-03	By pass solenoid valve
18	11-0422-22	Headmaster

Prodigy Eclipse 600, 800, 1000 Service Parts

C0600CP, C0800CP and C1410CP Compressors

Compressor - see table below

CP Model	Phase	Hz	Part Number
C0600CP-32	single	60	18-8768-22
C0600CP-3	three	60	18-8768-24
C0800CP-32	single	60	18-8813-23
C0800CP-3	three	60	18-8813-25
C0800CP-6	single	50	18-8749-27
C1410CP-32	single	60	18-8749-22
C1410CP-3	three	60	18-8749-24

Single phase 60 Hz compressors include starting components.

All include a drier.

18-8813 & 18-8749 types include crankcase heaters

18-2308-01 Crankcase heater for 18-8813 and 18-8749 type
 12-1868-02 Crankcase heater for 18-8768 type

Mounting parts for 18-8813 and 18-8749 type compressors:

18-2300-27 Mounting grommet
 18-2300-26 Sleeve
 03-1406-07 Washer
 03-1405-20 Cap screw

Mounting parts for 18-8768 type compressors:

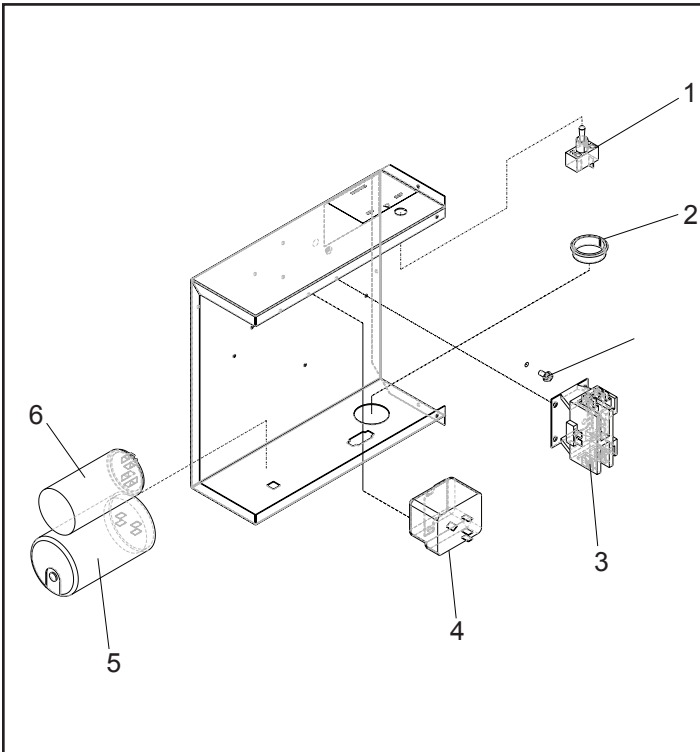
18-2200-28 Mounting grommet
 18-2200-27 Sleeve
 03-1406-07 Washer
 03-1404-20 Cap screw

Parts Shipped in CP unit:

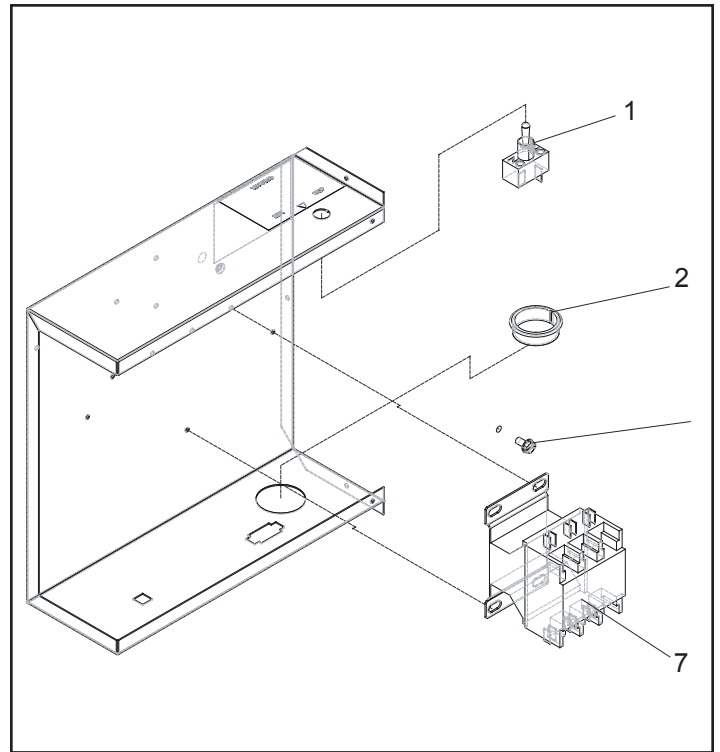
12-2865-01 75' Interconnecting harness

Prodigy Eclipse 600, 800, 1000 Service Parts

C0600CP, C0800CP and C1410CP Control Box



Single Phase Control Box



Three Phase Control Box

Item Number	Part Number	Description
1	12-2637-01	Toggle switch
2	12-1213-20	Snap bushing
3	12-2469-01	Single phase contactor

		C0600CP-32	C0800CP-32	C0800CP-6	C1410CP-32
4	Comp. Relay	18-1903-33	18-1903-33	18-1903-33	18-1903-46
5	Start Capacitor	18-1901-54	18-1901-15	18-1901-48	18-1901-48
6	Run Capacitor	18-1902-45	18-1902-53	18-1902-70	18-1902-55

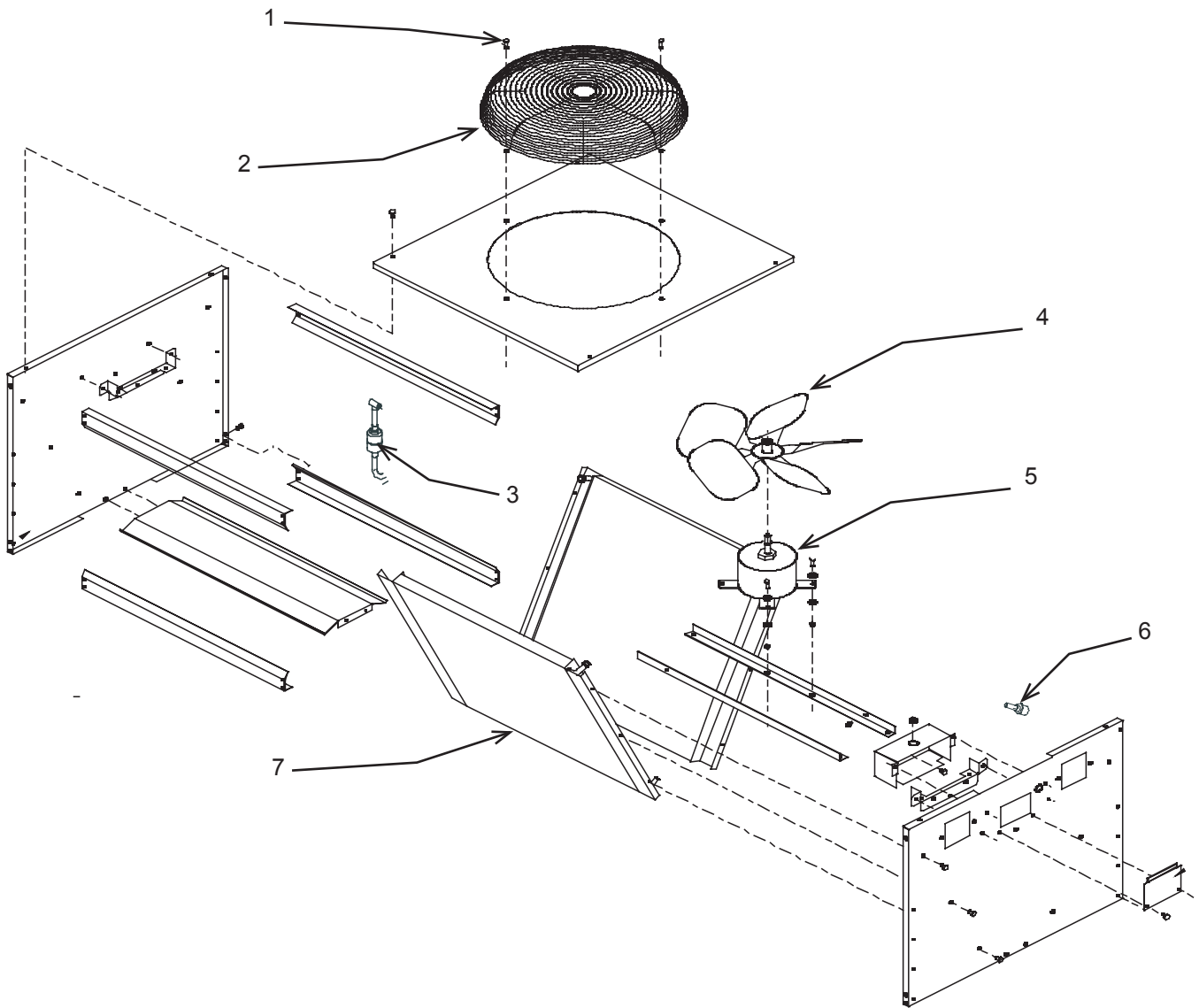
7 12-2533-01 Contactor, 3 phase

Not Shown:

8 12-2836-02 Transformer, 60 Hz models 230 volt to 24 volt
 12-2639-02 Transformer, 50 Hz models
 9 12-2686-01 Fuse, 50 Hz models only
 10 12-2687-01 Fuse holder, 50 Hz models only
 11 12-2640-01 Terminal block, 50 Hz models only

Prodigy Eclipse 600, 800, 1000 Service Parts

C0600CP, C0800CP and C1410CP Condensers



Models ERC680, ERC1086

Item Number	Part Number	Description
1	03-1405-08	Screw
2	02-3575-01	Fan guard
3	02-3231-03	Filter
4	18-8816-01	Fan blade
5	12-2651-01	Fan motor
6	16-1057-04	Quick connect, disch
	16-1057-03	Quick connect, liquid
7	18-8815-01	Coil, ERC680
	18-8827-01	Coil, ERC1086

Not Shown:

A37169-001	Leg
A37170-001	Leg brace

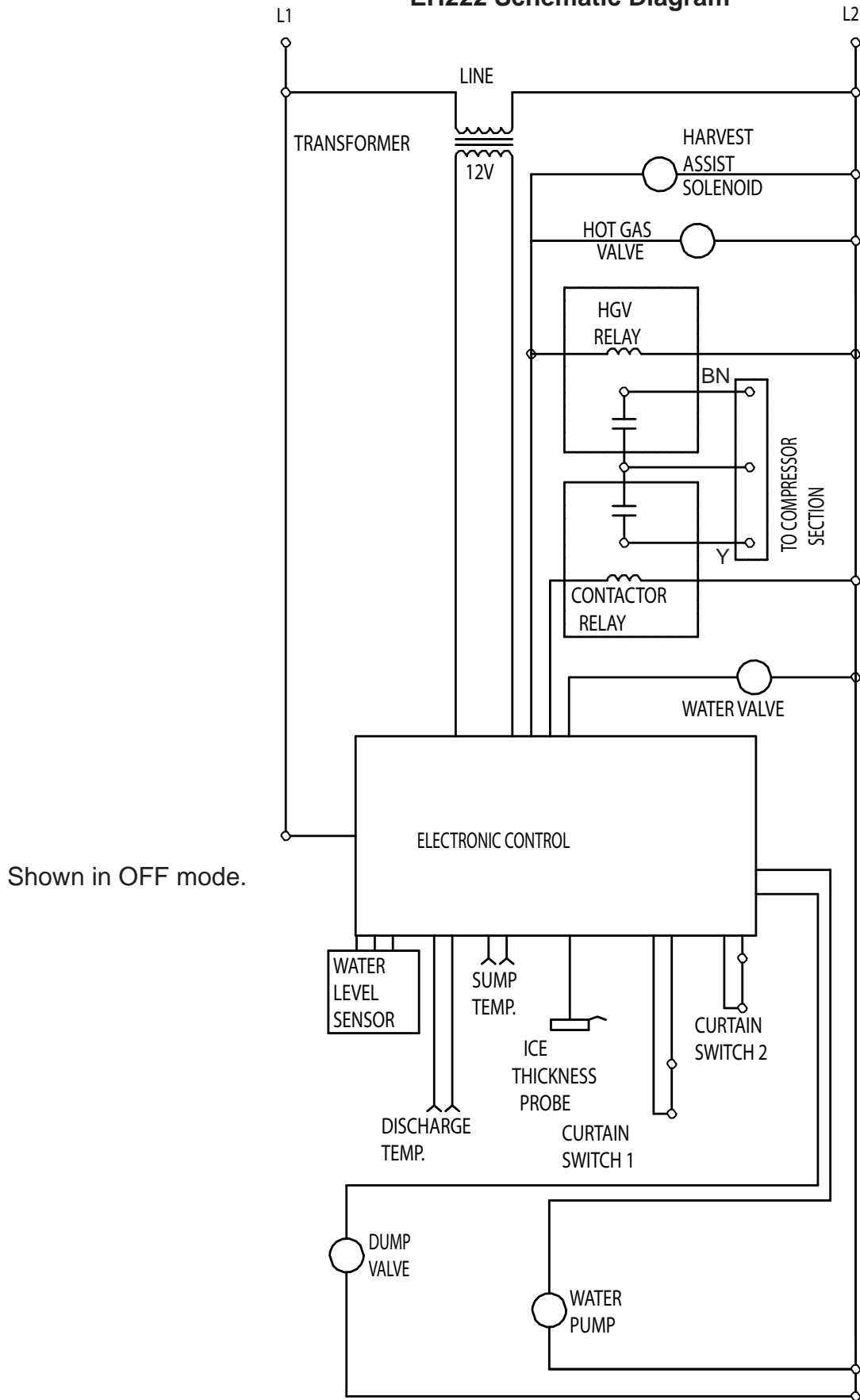
Model ER2C6810 (two circuit condenser)

Item Number	Part Number	Description
1	03-1405-08	Screw
2	02-3770-01	Fan guard
3	02-3231-03	Filter
4	18-8820-01	Fan blade
5	12-2717-01	Fan motor
6	16-1057-04	Quick connect, discharge
	16-1057-03	Quick connect, liquid

Not Shown:

A37169-001	Leg
A37296-001	Leg brace
03-1645-01	Screw for legs

Prodigy Eclipse 600, 800, 1000 Service Parts EH222 Schematic Diagram



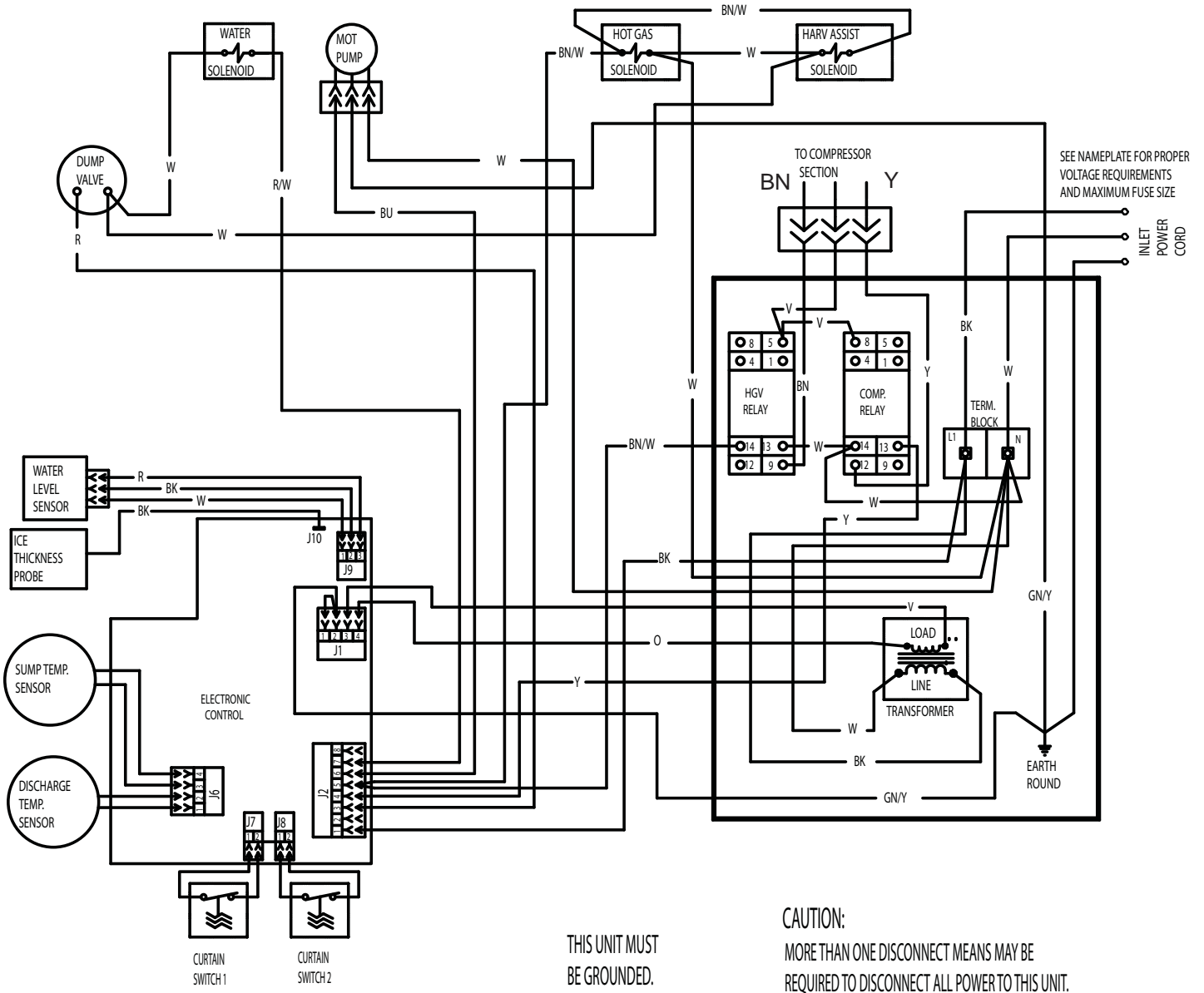
Shown in OFF mode.

Prodigy Eclipse 600, 800, 1000 Service Parts EH222 Wiring Diagram

17-3111-01

△ DASHED LINES INDICATE FIELD WIRING WHICH MUST BE INSTALLED IN ACCORDANCE WITH THE NATIONAL ELECTRICAL CODE AND ALL STATE AND LOCAL CODES.

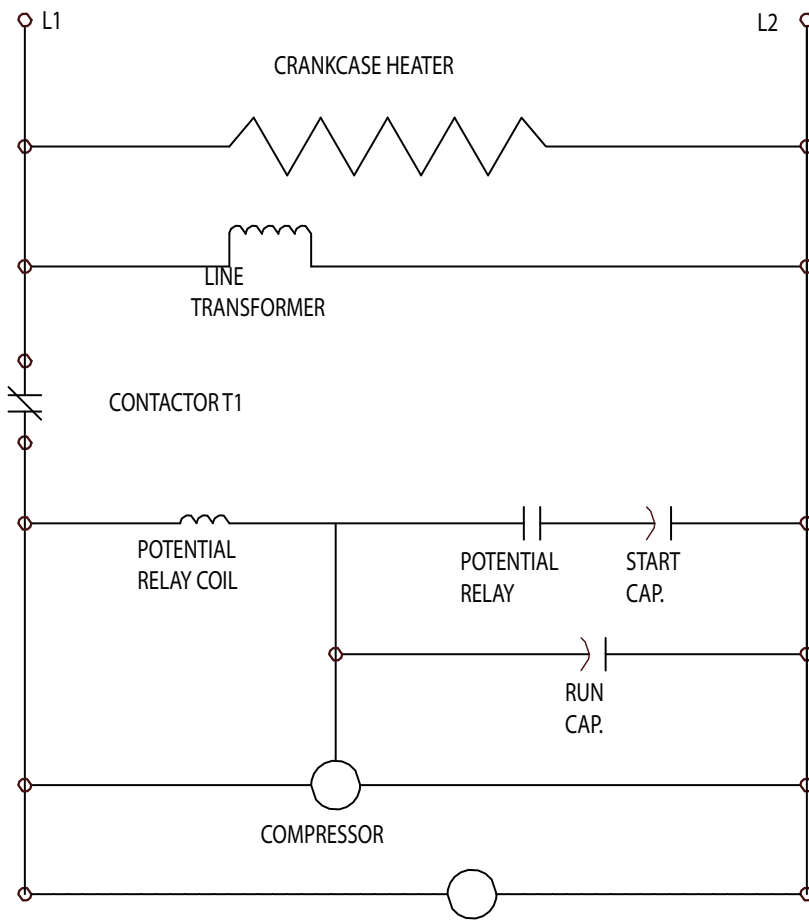
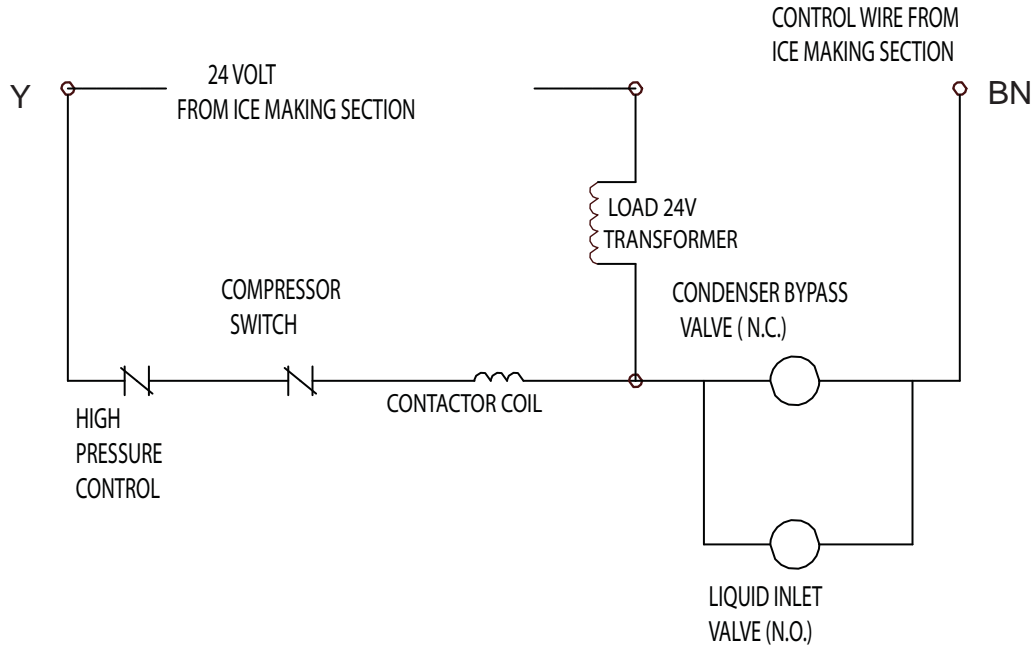
USE COPPER CONDUCTORS ONLY



	Freeze: Coil	Freeze: Contacts	Harvest: Coil	Harvest: Contacts
Comp Relay	Energized (by Y)	8-12 closed (to Y)	Energized (by Y)	8-12 Closed (to Y)
HGV Relay	NOT Energized	5-9 Open	Energized (by BN/W)	5-9 Closed (to BN)

Prodigy Eclipse 600, 800, 1000 Service Parts

C0600CP, C0800CP and C1410CP Single Phase Schematic Diagram




ERC CONDENSER FAN
(WHEN USED)

Prodigy Eclipse 600, 800, 1000 Service Parts

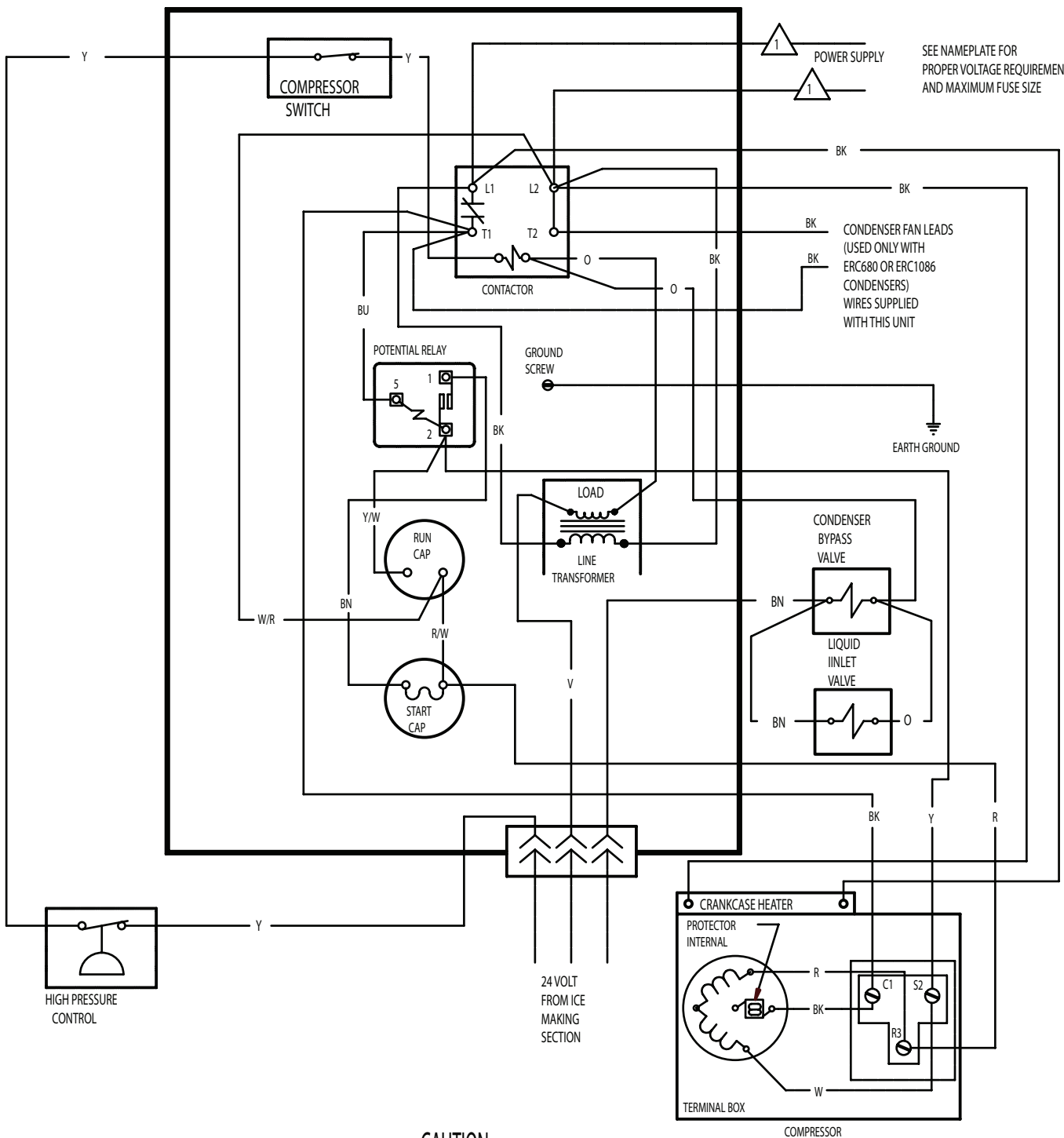
C0600CP, C0800CP and C1410CP Single Phase Wiring Diagram

17-3130-01

USE COPPER CONDUCTORS ONLY

 DASHED LINES INDICATE FIELD WIRING WHICH MUST BE INSTALLED IN ACCORDANCE WITH THE NATIONAL ELECTRICAL CODE AND ALL STATE AND LOCAL CODES.

SEE NAMEPLATE FOR PROPER VOLTAGE REQUIREMENTS AND MAXIMUM FUSE SIZE



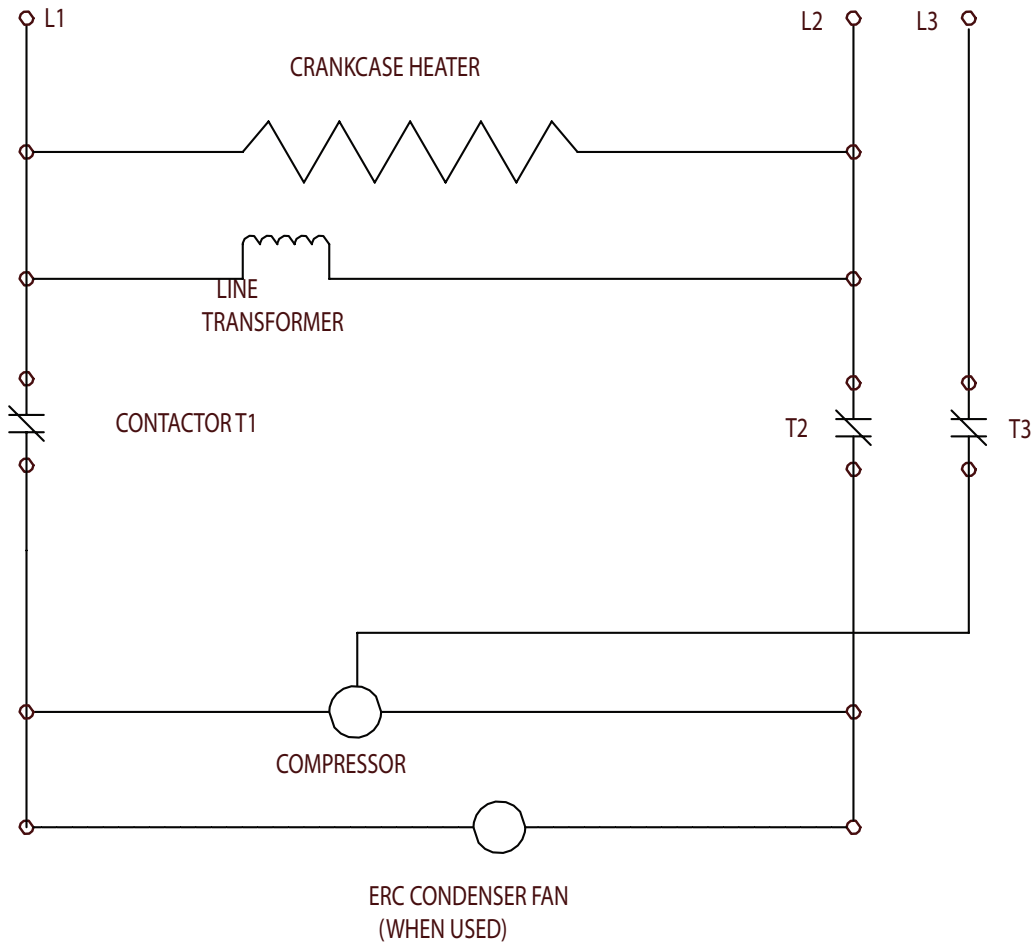
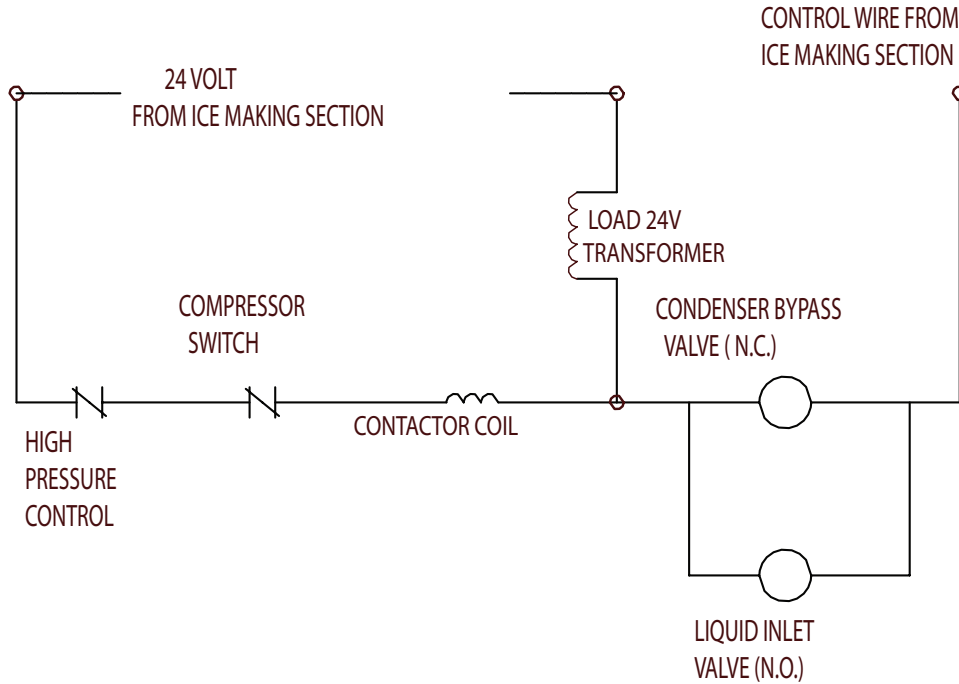
CAUTION:

MORE THAN ONE DISCONNECT MEANS MAY BE REQUIRED TO DISCONNECT ALL POWER TO THIS UNIT.

THIS UNIT MUST BE GROUNDED.

Prodigy Eclipse 600, 800, 1000 Service Parts

C0600CP, C0800CP and C1410CP Three Phase Schematic Diagram




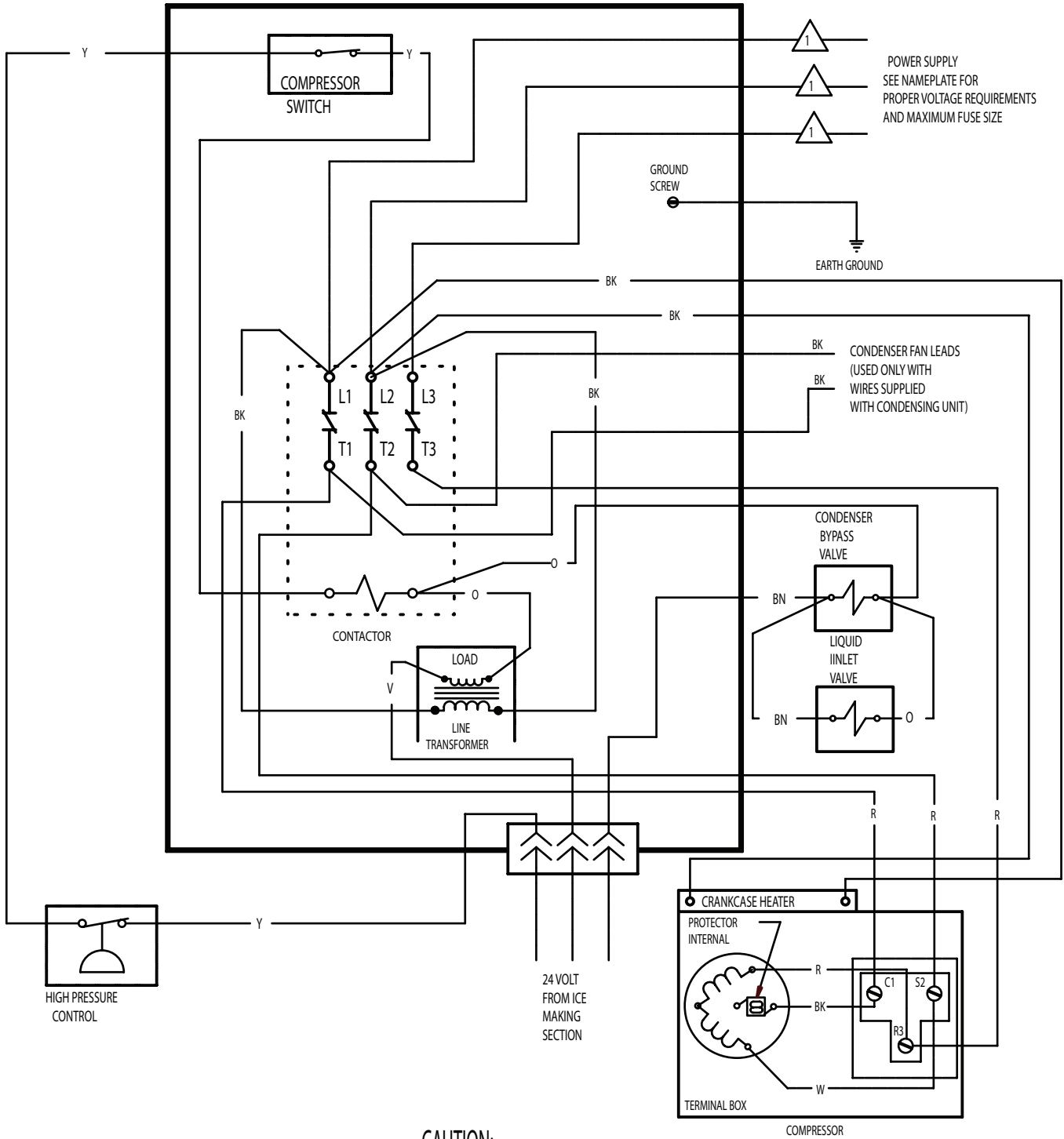
Prodigy Eclipse 600, 800, 1000 Service Parts

C0600CP, C0800CP and C1410CP Three Phase Wiring Diagram

17-3131-01

USE COPPER CONDUCTORS ONLY

 DASHED LINES INDICATE FIELD WIRING WHICH MUST BE INSTALLED IN ACCORDANCE WITH THE NATIONAL ELECTRICAL CODE AND ALL STATE AND LOCAL CODES.



CAUTION:

THIS UNIT MUST BE GROUNDED.

MORE THAN ONE DISCONNECT MEANS MAY BE REQUIRED TO DISCONNECT ALL POWER TO THIS UNIT.

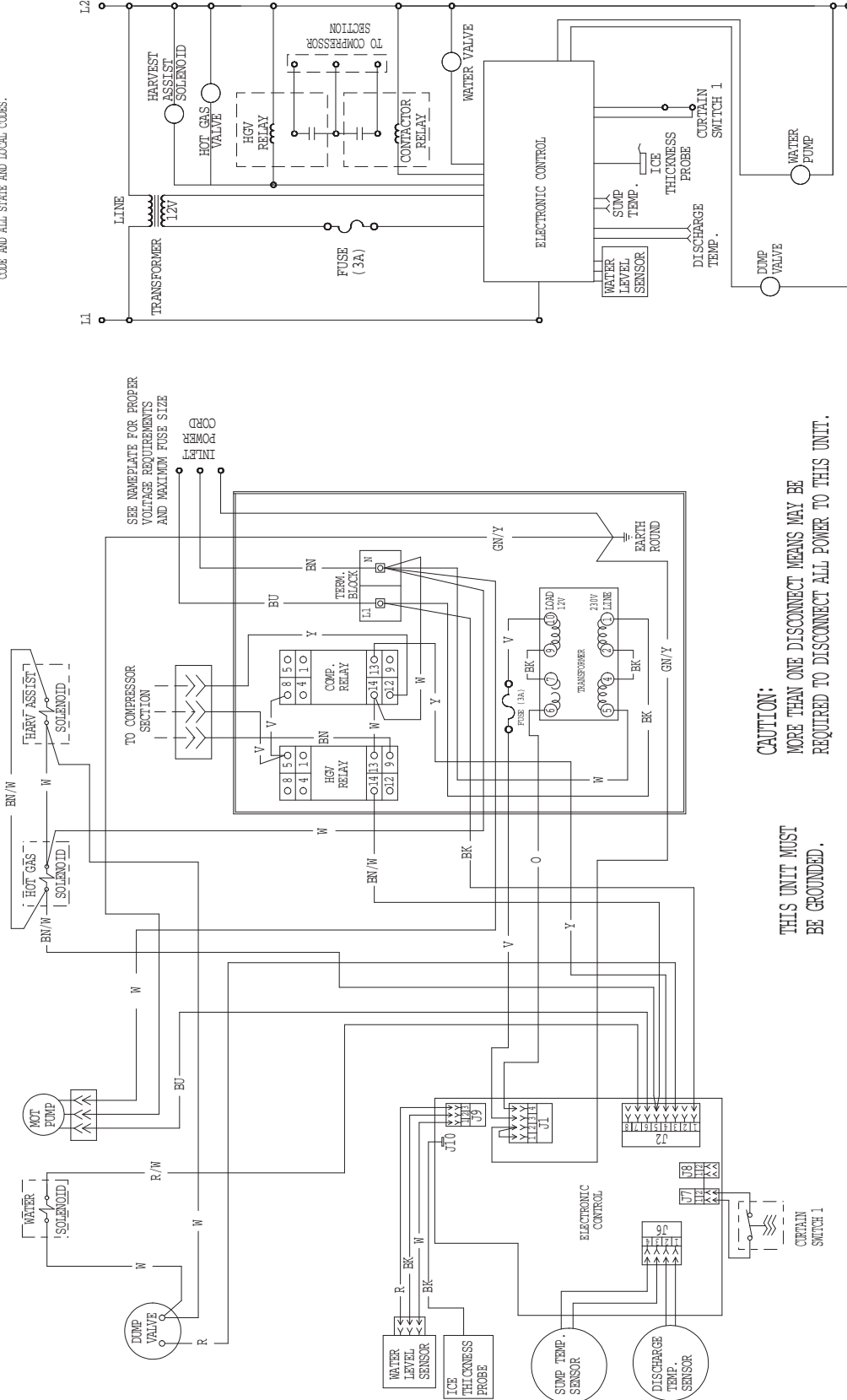
Prodigy Eclipse 600, 800, 1000 Service Parts

50 Hz Model Wiring and Schematic Diagram

USE COPPER CONDUCTORS ONLY

▲ DASHED LINES INDICATE FIELD WIRING WHICH MUST BE INSTALLED IN ACCORDANCE WITH THE NATIONAL ELECTRICAL CODE AND ALL STATE AND LOCAL CODES.

17-3396-01



THIS UNIT MUST BE GROUNDING.

CAUTION: MORE THAN ONE DISCONNECT MEANS MAY BE REQUIRED TO DISCONNECT ALL POWER TO THIS UNIT.