

EH330 and EH430 Service Parts

This part list contains the service parts for the Eclipse 1200, 1400, 1800 and 2000 systems.

The models that are covered include:

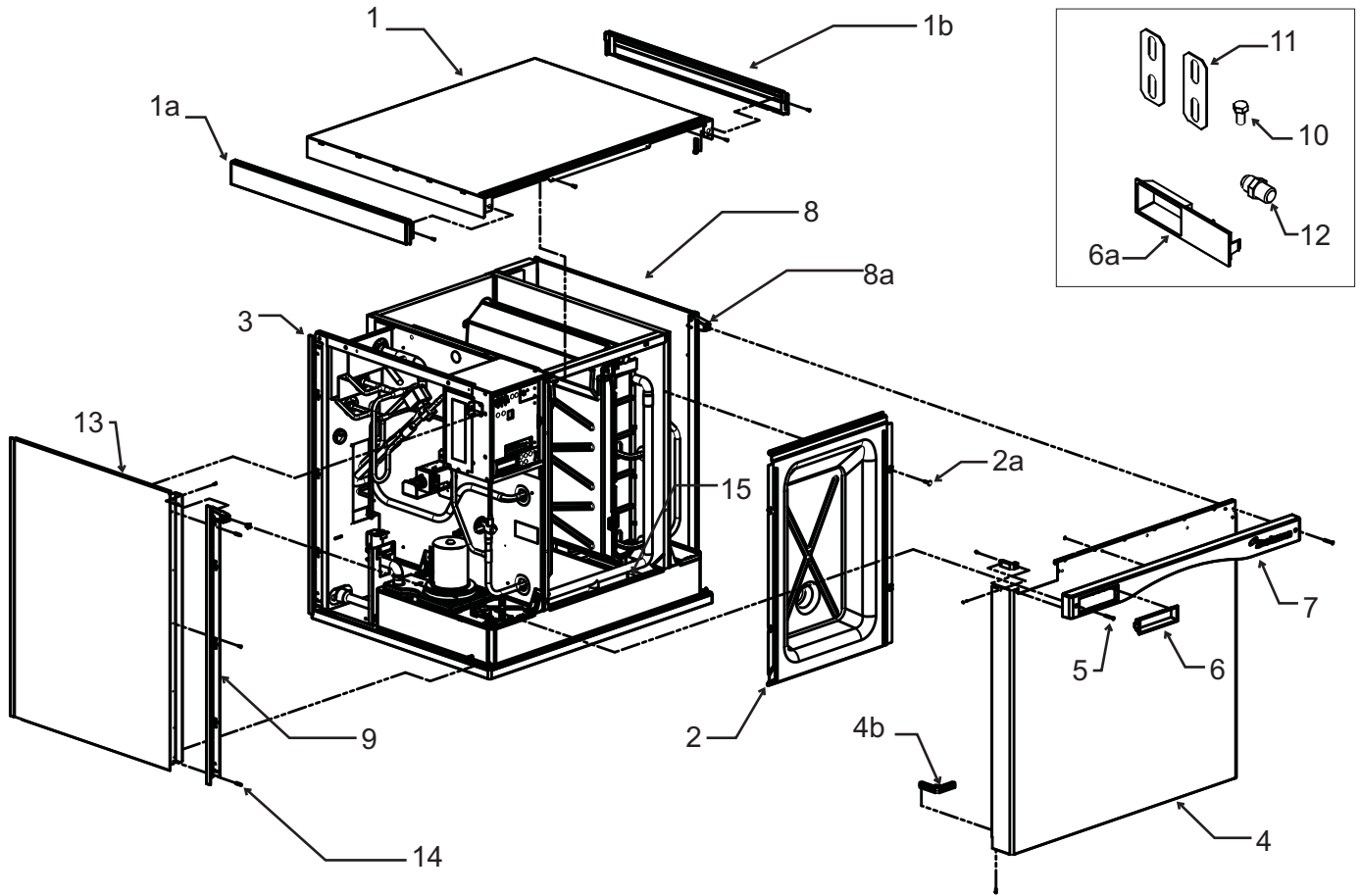
- EH330
- EH430
- C1200CP
- C1410CP
- C1800CP
- C2000CP
- ERC1086
- ERC2086

Table of Contents

| | | | |
|------------------------------------------------|---------|---------------------------------------------|---------|
| EH330 Cabinet - <u>A Series</u> | Page 2 | EH330 or EH430 Schematic Diagram | Page 18 |
| EH330 Cabinet - <u>B Series</u> | Page 3 | EH330 or EH430 Wiring Diagram | Page 19 |
| EH430 Cabinet - <u>A Series</u> | Page 4 | CP Single Phase Schematic Diagram | Page 20 |
| EH430 Cabinet - <u>B Series</u> | Page 5 | CP Single Phase Wiring Diagram | Page 21 |
| EH330 and EH430 Interior Parts | Page 6 | CP Three Phase Wiring Diagram | Page 22 |
| EH330 and EH430 Refrigeration System | Page 7 | CP Three Phase Schematic Diagram | Page 23 |
| EH330 Evaporator Compartment | Page 8 | | |
| EH430 Evaporator Compartment | Page 9 | | |
| EH330 or EH430 Electrical | Page 10 | | |
| CP Cabinet | Page 11 | | |
| C1200CP Refrigeration System | Page 12 | | |
| C1410CP Refrigeration Systems | Page 13 | | |
| C1800CP Refrigeration System | Page 14 | | |
| C2000CP Refrigeration System | Page 15 | | |
| CP Control Box | Page 16 | | |
| Remote Condensers | Page 17 | | |

EH330 and EH430 Service Parts

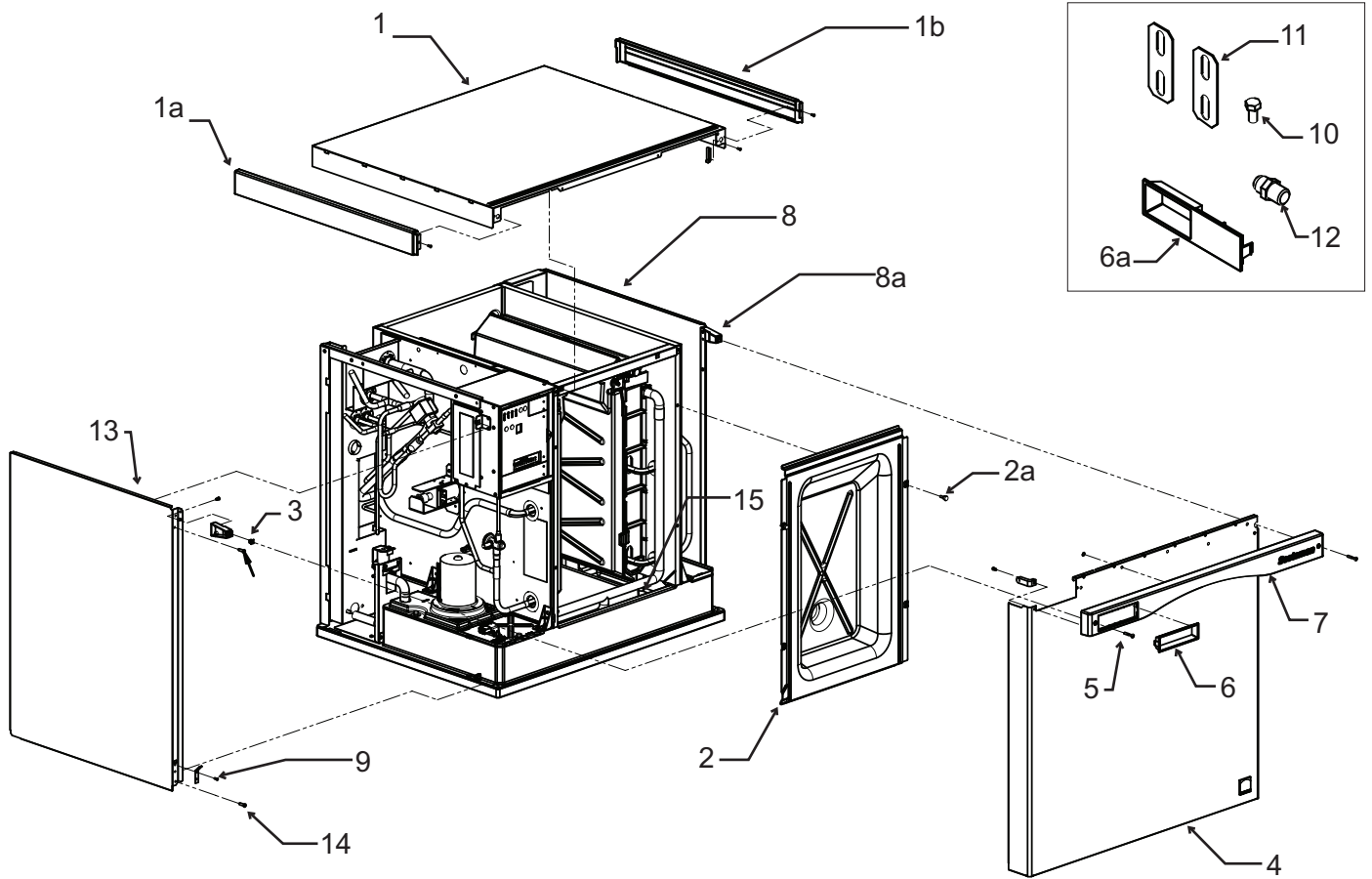
EH330 Cabinet - A Series



| Item Number | Part Number | Description | Item Number | Part Number | Description |
|-------------|-------------|----------------------------------------------------------------|-------------|-------------|----------------------------|
| 1 | A38941-022 | Top panel, w/trim strips | 8a | 02-4215-01 | Receptacle |
| 1a | 02-4221-01 | Left trim strip | 9 | 02-4067-01 | Side panel support |
| 1b | 02-4221-02 | Right trim strip | 10 | 03-1405-15 | Screw |
| 2 | 02-4504-01 | Evaporator cover | 11 | A30911-015 | Machine straps |
| 2a | 03-0727-05 | Screw | 12 | 16-0355-00 | Inlet water fitting, flare |
| 3 | 02-4067-03 | Side panel support | 13 | A38551-022 | Left side panel |
| 4 | A38552-022 | Front panel assembly, includes trim strip, gussets and labels. | 14 | 03-1404-12 | Screw |
| 4a | 02-4216-01 | Top gusset | 15 | 13-0943-01 | Gasket tape |
| 4b | 02-4217-01 | Bottom gusset | | | |
| 5 | 03-1735-03 | Screw, front panel | | | |
| 6 | 02-4284-01 | Bezel, full window | | | |
| 6a | 02-4284-02 | Bezel, partial window | | | |
| 7 | 02-4214-02 | Trim strip | | | |
| 8 | A38553-021 | Right side panel assy | | | |

EH330 and EH430 Service Parts

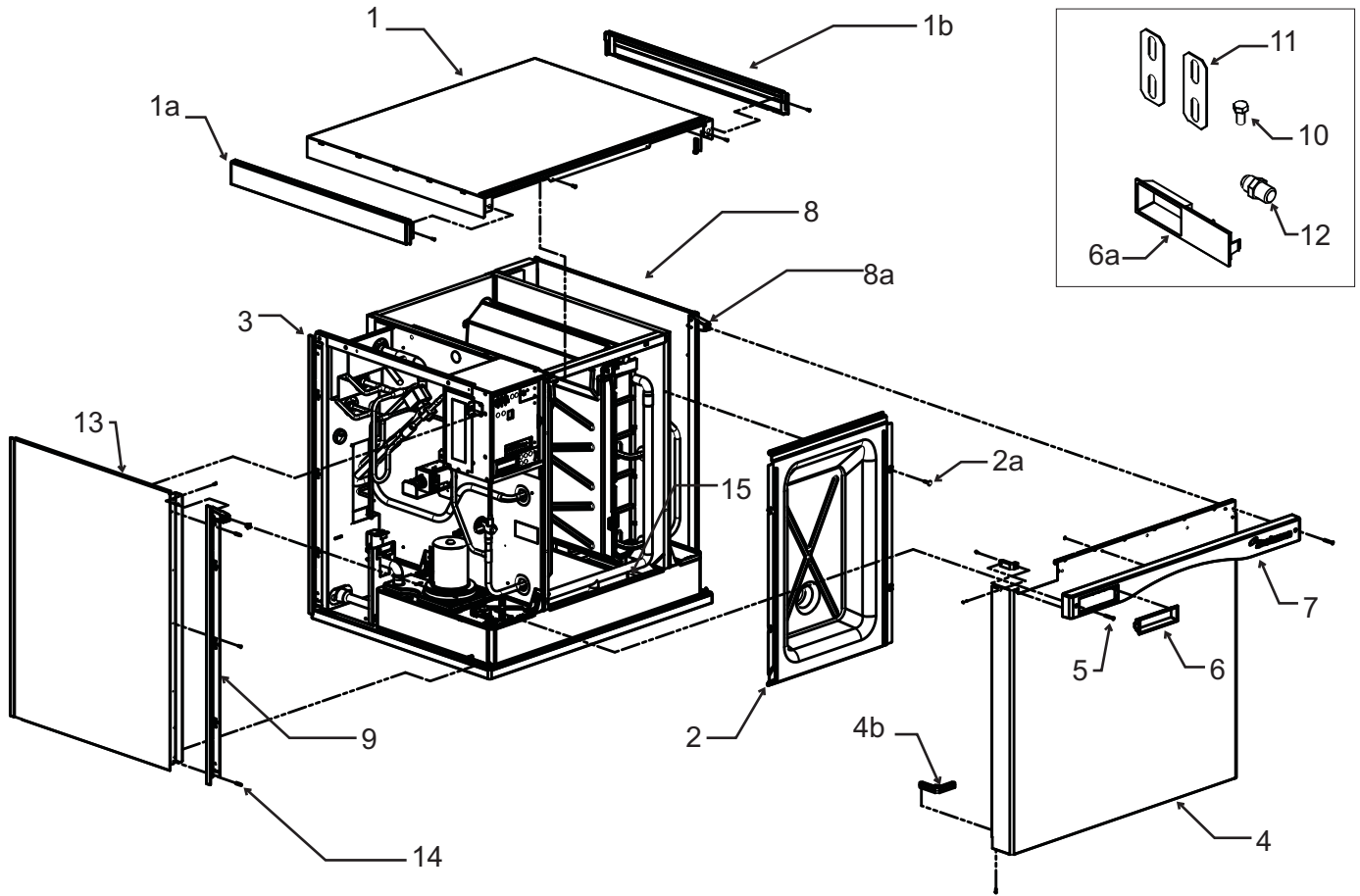
EH330 Cabinet - B Series



| Item Number | Part Number | Description | 9 | A39571-001 | Panel clip |
|-------------|-------------|-------------------------------------------------------|-------------------------------------------------------------|------------|------------------------------|
| 1 | A39579-022 | Top panel | 10 | 03-1405-15 | Screw |
| 1a | 02-4221-01 | Left trim strip* | 11 | A30911-015 | Machine straps |
| 1b | 02-4221-02 | Right trim strip* | 12 | 16-0355-00 | Inlet water fitting, flare** |
| 2 | 02-4504-01 | Evaporator cover | 13 | A39580-022 | Left side panel |
| 2a | 03-0727-05 | Screw | 14 | 03-1404-12 | Screw |
| 3 | 03-3804-01 | Screw receptacle | 15 | 13-0943-01 | Gasket tape |
| 4 | A39578-022 | Front panel assembly, includes trim strip and labels. | * Side trim strips discontinued mid 2011. | | |
| 4a | 02-4216-01 | Top gusset | ** Bezel and fitting discontinued from production 2/8/2012. | | |
| 5 | 03-1735-03 | Screw, front panel | | | |
| 6 | 02-4284-01 | Bezel, full window | | | |
| 6a | 02-4284-02 | Bezel, partial window** | | | |
| 7 | 02-4214-02 | Trim strip | | | |
| 8 | A39581-021 | Right side panel assy | | | |
| 8a | 02-4215-01 | Receptacle | | | |

EH330 and EH430 Service Parts

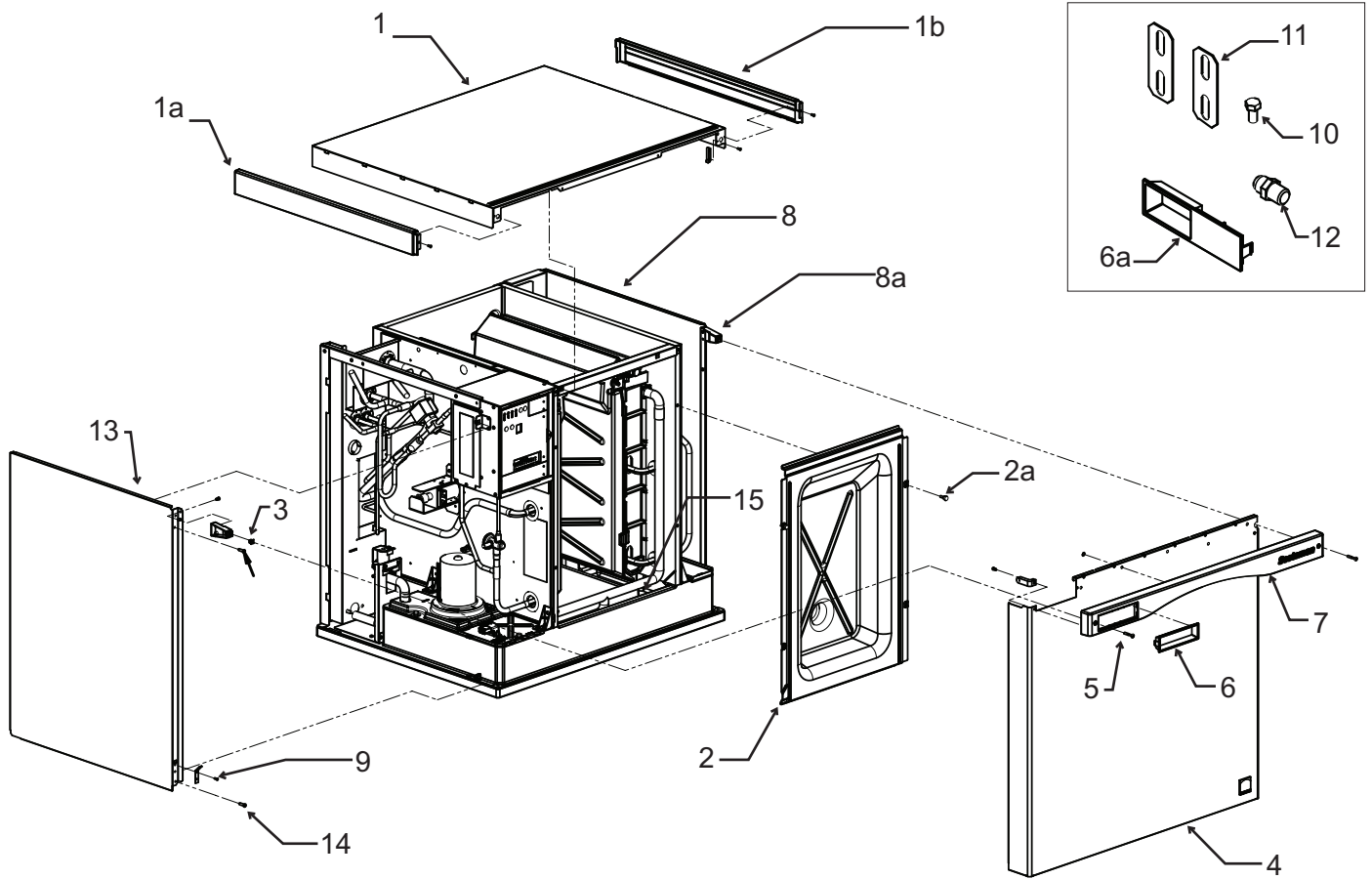
EH430 Cabinet - A Series



| Item Number | Part Number | Description | Item Number | Part Number | Description |
|-------------|-------------|----------------------------------------------------------------|-------------|-------------|----------------------------|
| 1 | A38941-022 | Top panel, w/trim strips | 8a | 02-4215-01 | Receptacle |
| 1a | 02-4221-01 | Left trim strip | 9 | 02-4067-03 | Side panel support |
| 1b | 02-4221-02 | Right trim strip | 10 | 03-1405-15 | Screw |
| 2 | 02-4184-01 | Evaporator cover | 11 | A30911-015 | Machine straps |
| 2a | 03-0727-05 | Screw | 12 | 16-0355-00 | Inlet water fitting, flare |
| 3 | 02-4067-03 | Side panel support | 13 | A38551-024 | Left side panel |
| 4 | A38552-023 | Front panel assembly, includes trim strip, gussets and labels. | 14 | 03-1404-12 | Screw |
| 4a | 02-4216-01 | Top gusset | 15 | 13-0943-01 | Gasket tape |
| 4b | 02-4217-01 | Bottom gusset | | | |
| 5 | 03-1735-03 | Screw, front panel | | | |
| 6 | 02-4284-01 | Bezel, full window | | | |
| 6a | 02-4284-02 | Bezel, partial window | | | |
| 7 | 02-4214-02 | Trim strip | | | |
| 8 | A38553-022 | Right side panel assy | | | |

EH330 and EH430 Service Parts

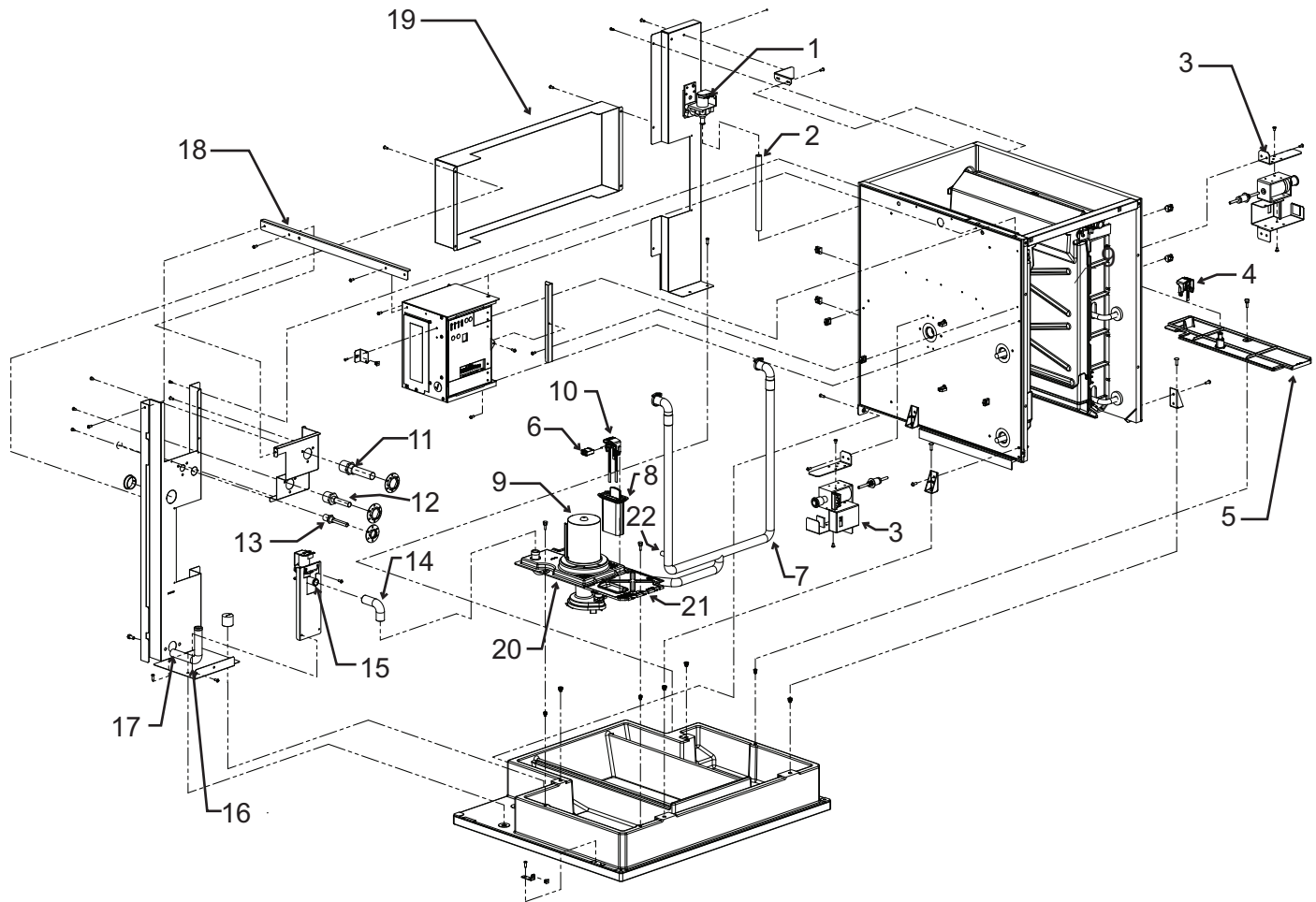
EH430 Cabinet - B Series



| Item Number | Part Number | Description | Item Number | Part Number | Description |
|-------------|-------------|-------------------------------------------------------|-------------|-------------|----------------------------|
| 1 | A39579-022 | Top panel, w/trim strips | 9 | A39571-001 | Panel clip |
| 1a | 02-4221-01 | Left trim strip | 10 | 03-1405-15 | Screw |
| 1b | 02-4221-02 | Right trim strip | 11 | A30911-015 | Machine straps |
| 2 | 02-4504-01 | Evaporator cover | 12 | 16-0355-00 | Inlet water fitting, flare |
| 2a | 03-0727-05 | Screw | 13 | A39580-024 | Left side panel |
| 3 | 03-3804-01 | Screw receptacle | 14 | 03-1404-12 | Screw |
| 4 | A39578-023 | Front panel assembly, includes trim strip and labels. | 15 | 13-0943-01 | Gasket |
| 4a | 02-4216-01 | Top gusset | | | |
| 5 | 03-1735-03 | Screw, front panel | | | |
| 6 | 02-4284-01 | Bezel, full window | | | |
| 6a | 02-4284-02 | Bezel, partial window | | | |
| 7 | 02-4214-02 | Trim strip | | | |
| 8 | A39581-022 | Right side panel assy | | | |
| 8a | 02-4215-01 | Receptacle | | | |

EH330 and EH430 Service Parts

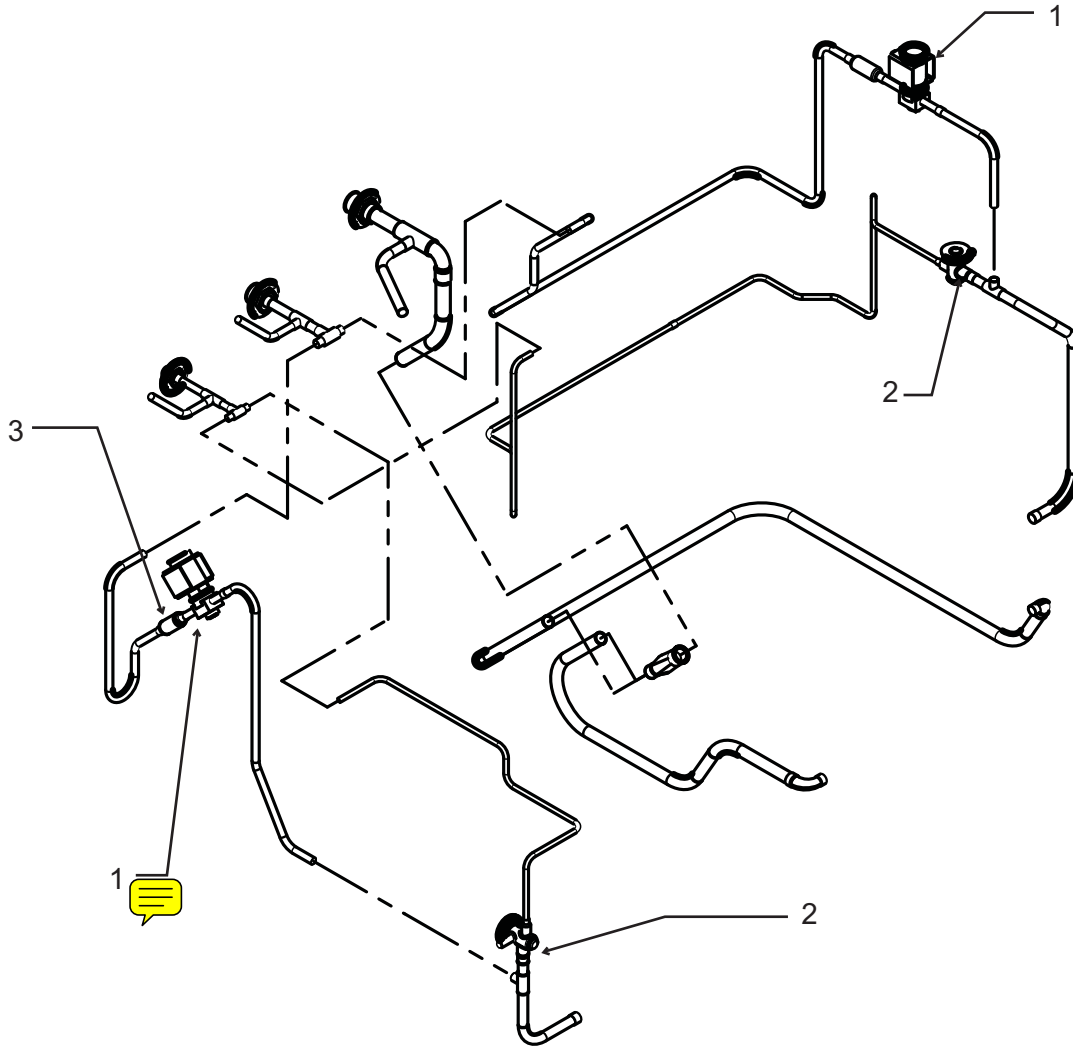
EH330 and EH430 Interior Parts



| Item Number | Part Number | Description |
|-------------|-------------|--------------------------------|
| 1 | 12-2922-01 | Inlet water sol valve |
| 2 | 13-0674-02 | Tubing, order 2 (ft) |
| 3 | 12-3060-21 | Harvest assist |
| 4 | A39030-022 | Level sensor, discontinued |
| 5 | 02-4175-01 | Sump cover, rt |
| 6 | 12-2928-01 | WLS harness, no wire to item 4 |
| 7 | 02-4182-01 | Water pump hose, EH430 |
| | 02-4505-01 | Water pump hose, EH330 |
| 8 | 02-4332-01 | WLS cover, prior fits 21 |
| 8a | 02-4646-01 | Probe guard, fits 21a |
| 9 | 12-2920-21 | Water pump |
| 10 | A39030-021 | Water level sensor |
| 11 | 16-0850-04 | Suction line fitting |
| 12 | 16-0850-01 | Vapor line fitting |
| 13 | 16-0850-03 | Liquid line fitting |
| 14 | A38863-001 | Tube |
| 15 | 11-0564-01 | Purge valve |
| 16 | A38863-002 | Tube, out |
| 17 | 02-3692-21 | Drain fitting |
| 18 | A38804-001 | Brace |
| 19 | A38796-001 | Chase |
| 20 | 02-4177-01 | Pump bracket |
| 21 | 02-4178-01 | Sump cover, prior, fits 8 |
| 21a | 02-4649-01 | Sump cover, fits 8a |
| 22 | 11-0572-21 | Temp sensor set |

Eh330 and Eh430 Service Parts

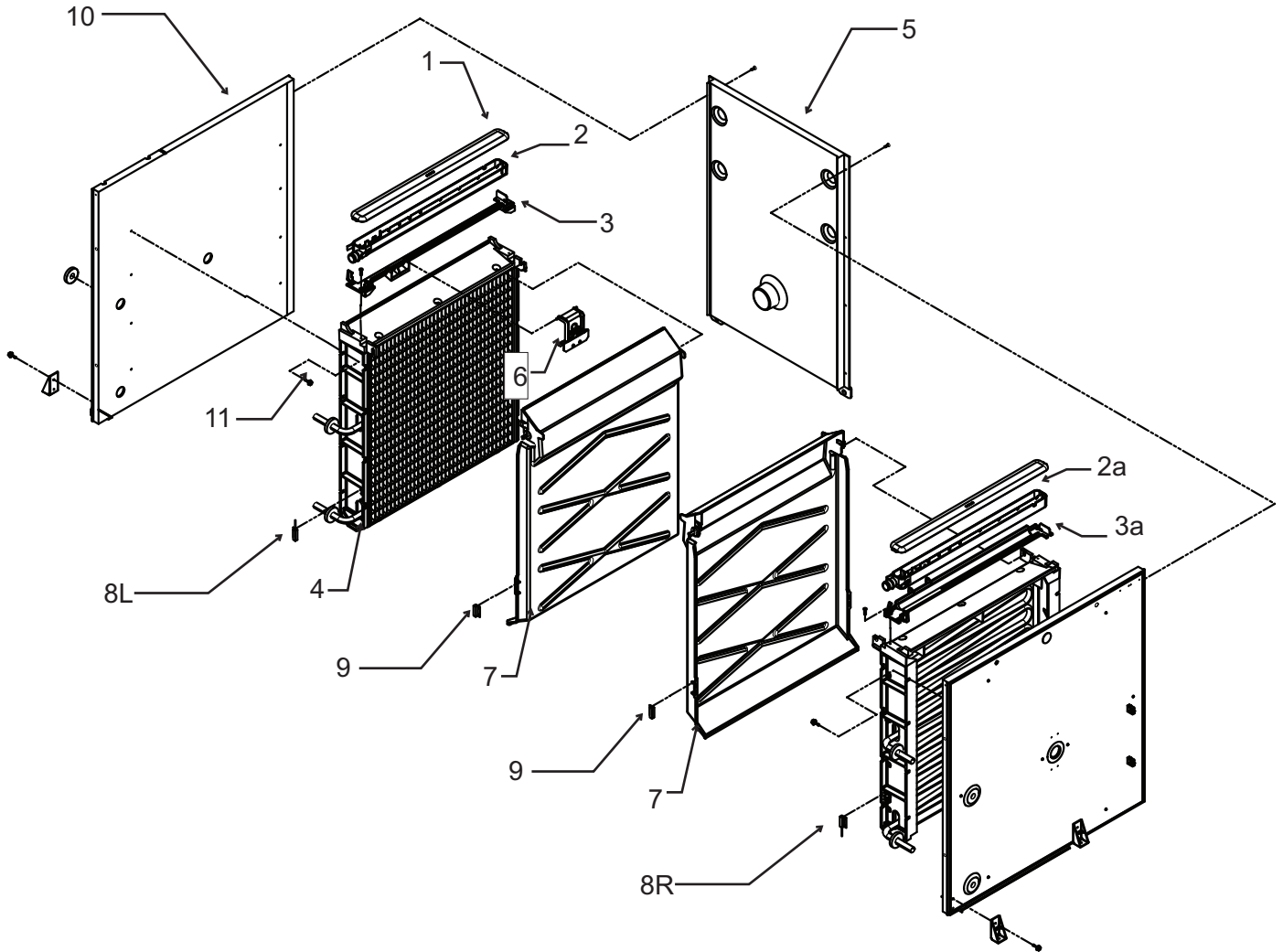
Eh330 and Eh430 Refrigeration System



| Item Number | Part Number | Description |
|-------------|-------------|--------------------|
| 1 | 11-0493-03 | Vapor valve |
| 2 | 16-1130-01 | TXV - EH430 |
| | 16-1142-01 | TXV - EH330 |
| | 02-4045-01 | Insulation for TXV |
| 3 | 16-1063-01 | Strainer |

EH330 and EH430 Service Parts

EH330 Evaporator Compartment



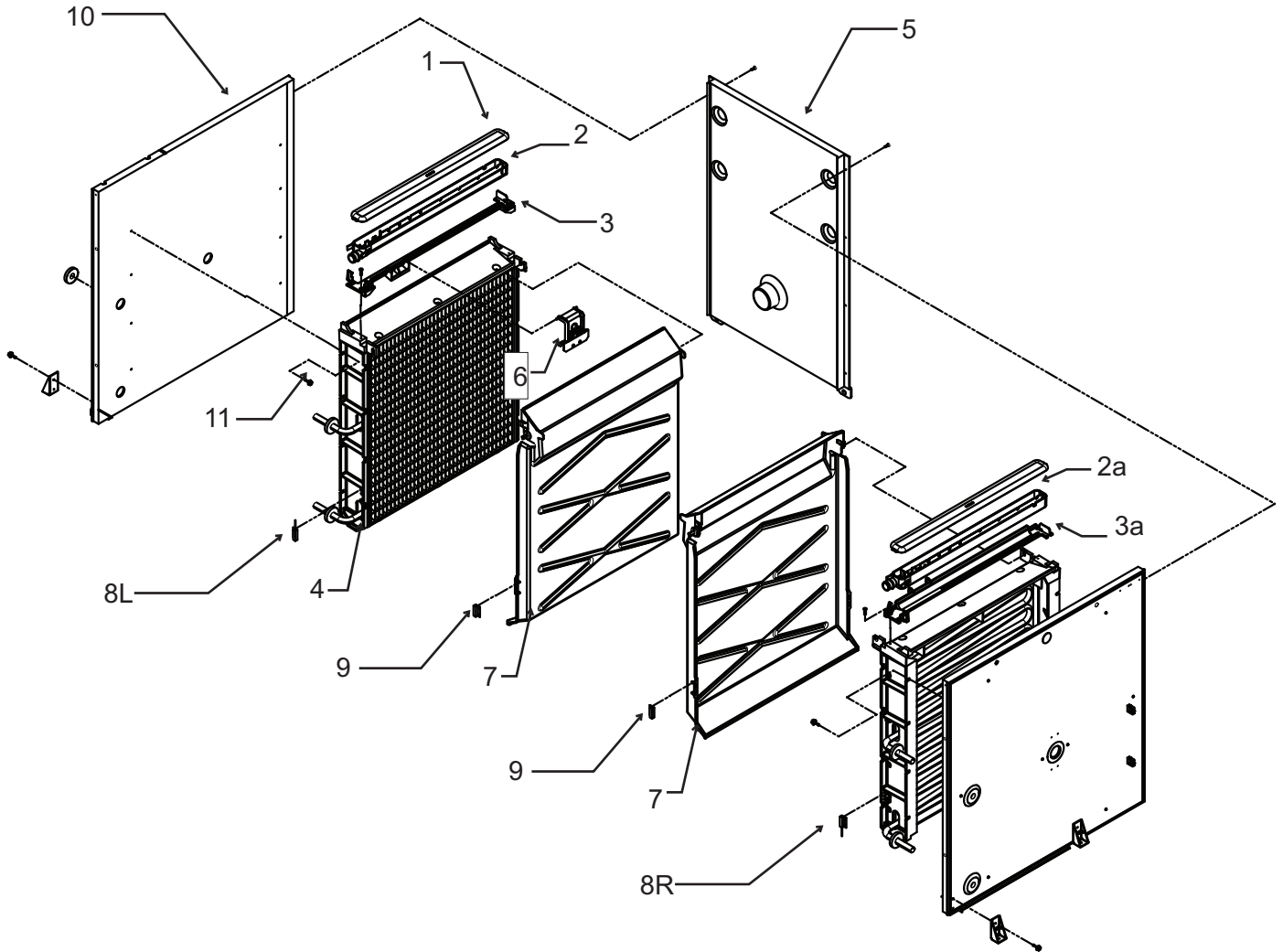
| Item Number | Part Number | Description | 8L | 11-0563-06 | Curtain switch, left |
|-------------|-------------|--------------------------|----------------------------------------------|------------|-----------------------|
| 1 | 02-4065-01 | Water distributor cover | 8R | 11-0563-03 | Curtain switch, right |
| 2 | 02-4064-01 | Water distributor, left | 9 | 11-0563-02 | Curtain switch magnet |
| 2a | 02-4064-02 | Water distributor, right | 10 | 13-0943-01 | Gasket tape |
| 3 | 02-4205-01 | Mounting bracket, left | 11 | 03-3868-01 | Screw |
| 3a | 02-4205-02 | Mounting bracket, right | Note: Item 7 includes item 9, shipped loose. | | |
| 4 | see table | Evaporator | | | |

| | small cube | medium cube |
|-------|------------|-------------|
| Right | A38627-023 | A38627-024 |
| Left | A38627-021 | A38627-022 |

| | | |
|---|------------|----------------------|
| 5 | A39480-001 | Back wall |
| 6 | A39031-021 | Ice thickness sensor |
| 7 | 02-4100-32 | Curtain |

EH330 and EH430 Service Parts

EH430 Evaporator Compartment



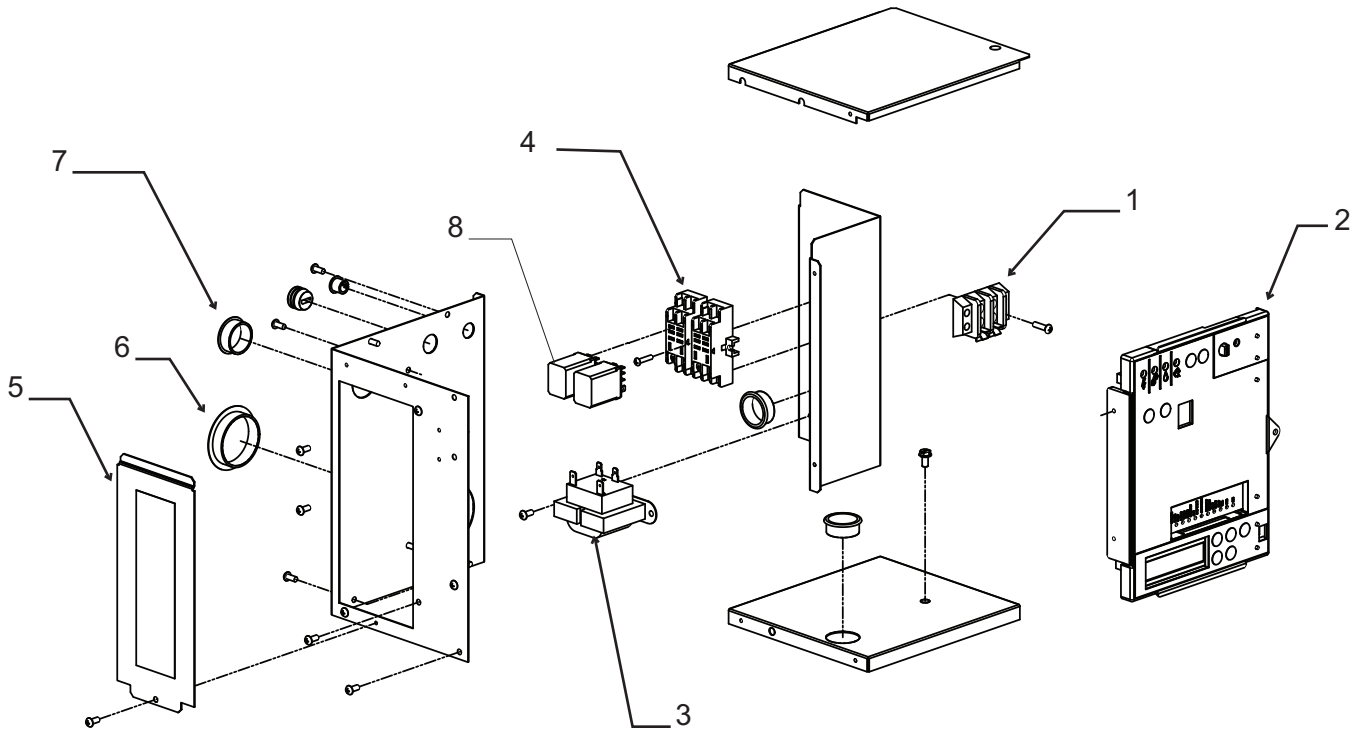
| Item Number | Part Number | Description | Item Number | Part Number | Description |
|-------------|-------------|--------------------------|----------------------------------------------|-------------|-----------------------|
| 1 | 02-4065-01 | Water distributor cover | 8L | 11-0563-06 | Curtain switch, left |
| 2 | 02-4064-01 | Water distributor, left | 8R | 11-0563-03 | Curtain switch, right |
| 2a | 02-4064-02 | Water distributor, right | 9 | 11-0563-02 | Curtain switch magnet |
| 3 | 02-4205-01 | Mounting bracket, left | 10 | 13-0943-01 | Gasket tape |
| 3a | 02-4205-02 | Mounting bracket, right | 11 | 03-3868-01 | Screw |
| 4 | see table | Evaporator | Note: Item 7 includes item 9, shipped loose. | | |

| | small cube | medium cube |
|-------|------------|-------------|
| Right | A38628-023 | A38628-024 |
| Left | A38628-021 | A38628-022 |

| | | |
|---|------------|----------------------|
| 5 | A38677-001 | Back wall |
| 6 | A39031-021 | Ice thickness sensor |
| 7 | 02-4611-21 | Curtain |

EH330 and EH430 Service Parts

EH330 or EH430 Electrical



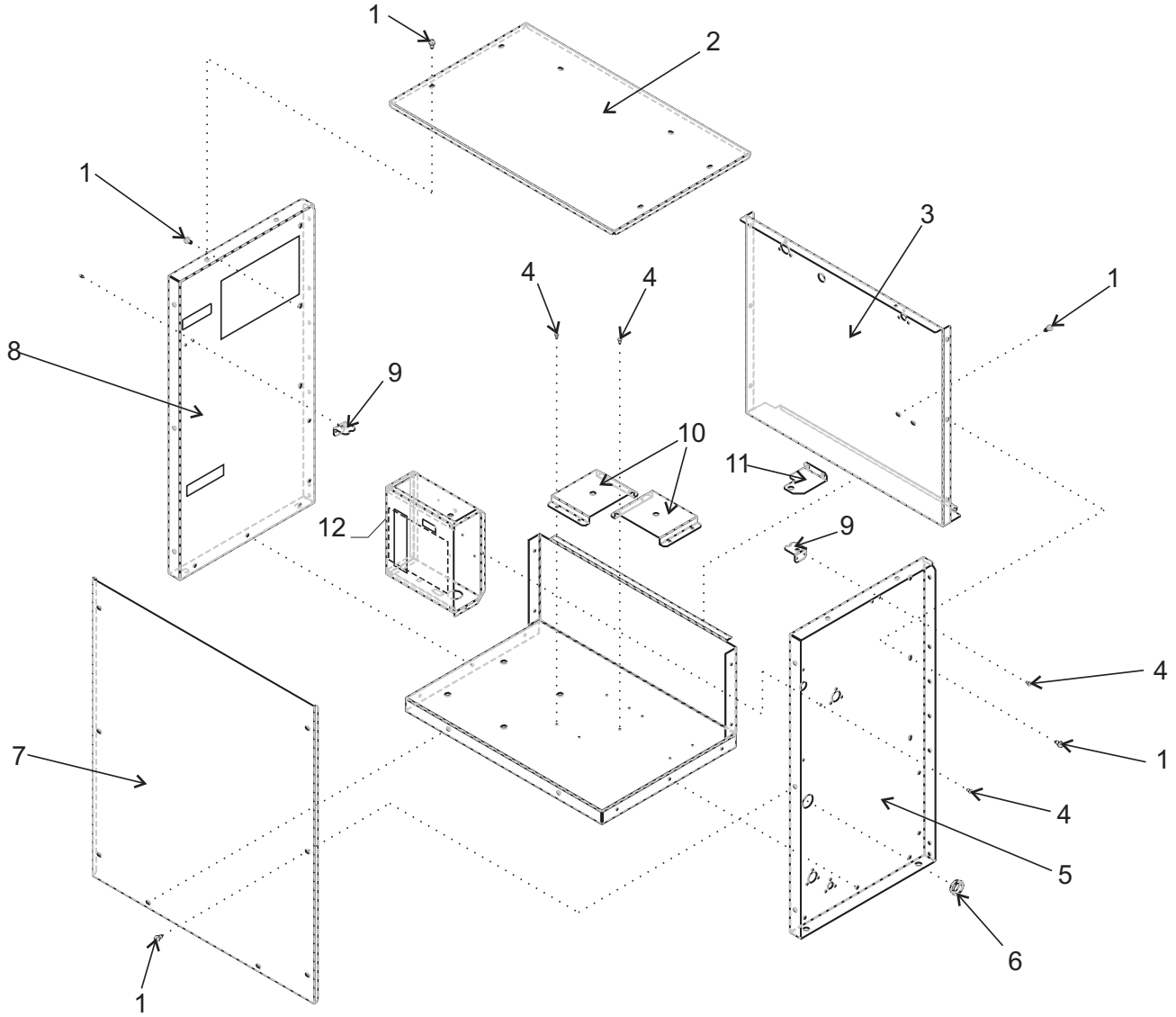
| Item Number | Part Number | Description |
|-------------|-------------|----------------|
| 1 | 12-2780-01 | Terminal strip |
| 2 | 11-0550-28 | Controller |
| 3 | 12-2924-01 | Transformer |
| 4 | 12-2949-02 | Relay base |
| 5 | A39287-001 | Cover |
| 6 | 12-1213-15 | Snap bushing |
| 7 | 12-1213-11 | Snap bushing |
| 8 | 12-2949-01 | Relay |

Not Illustrated:

| | | |
|----|------------|-----------------------------------------------|
| 9 | 12-2954-01 | Low voltage harness - to interconnecting wire |
| 10 | 12-2943-01 | High voltage harness (has large plug) |
| 11 | 12-2940-01 | Control power harness |
| 12 | 12-1638-19 | Power cord |

EH330 and EH430 Service Parts

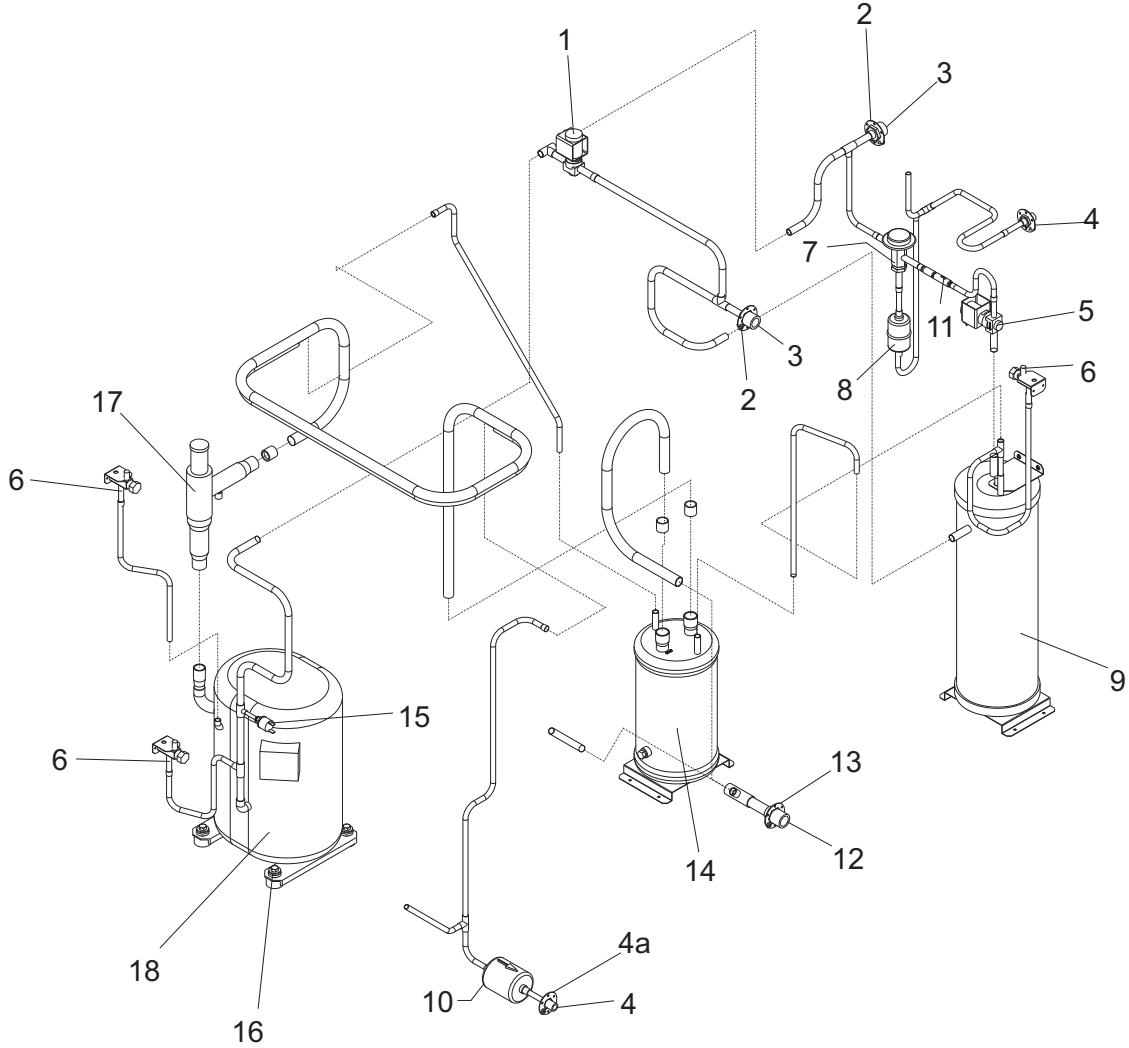
CP Cabinet



| Item Number | Part Number | Description | Item Number | Part Number | Description |
|-------------|-------------|-----------------------|-------------|-------------|-------------------------------------------------------------------|
| 1 | 03-1645-01 | Screw | 10 | A37948-001 | Rec btm bracket - all or accumulator bracket - C1200CP or C1410CP |
| 2 | A37853-001 | Top cover | | A39319-001 | Accumulator bracket, C1800CP or C2000CP |
| 3 | A37845-001 | Back panel | 11 | A37949-001 | Receiver top bracket |
| 4 | 03-1531-01 | Screw | 12 | A38430-001 | Control box cover |
| 5 | A37829-001 | Right side panel | | | |
| 6 | 12-1213-20 | Snap bushing | | | |
| 7 | A37896-001 | Front cover | | | |
| 8 | A37829-002 | Left side panel | | | |
| 9 | A37962-001 | Service valve bracket | | | |

EH330 and EH430 Service Parts

C1200CP Refrigeration System



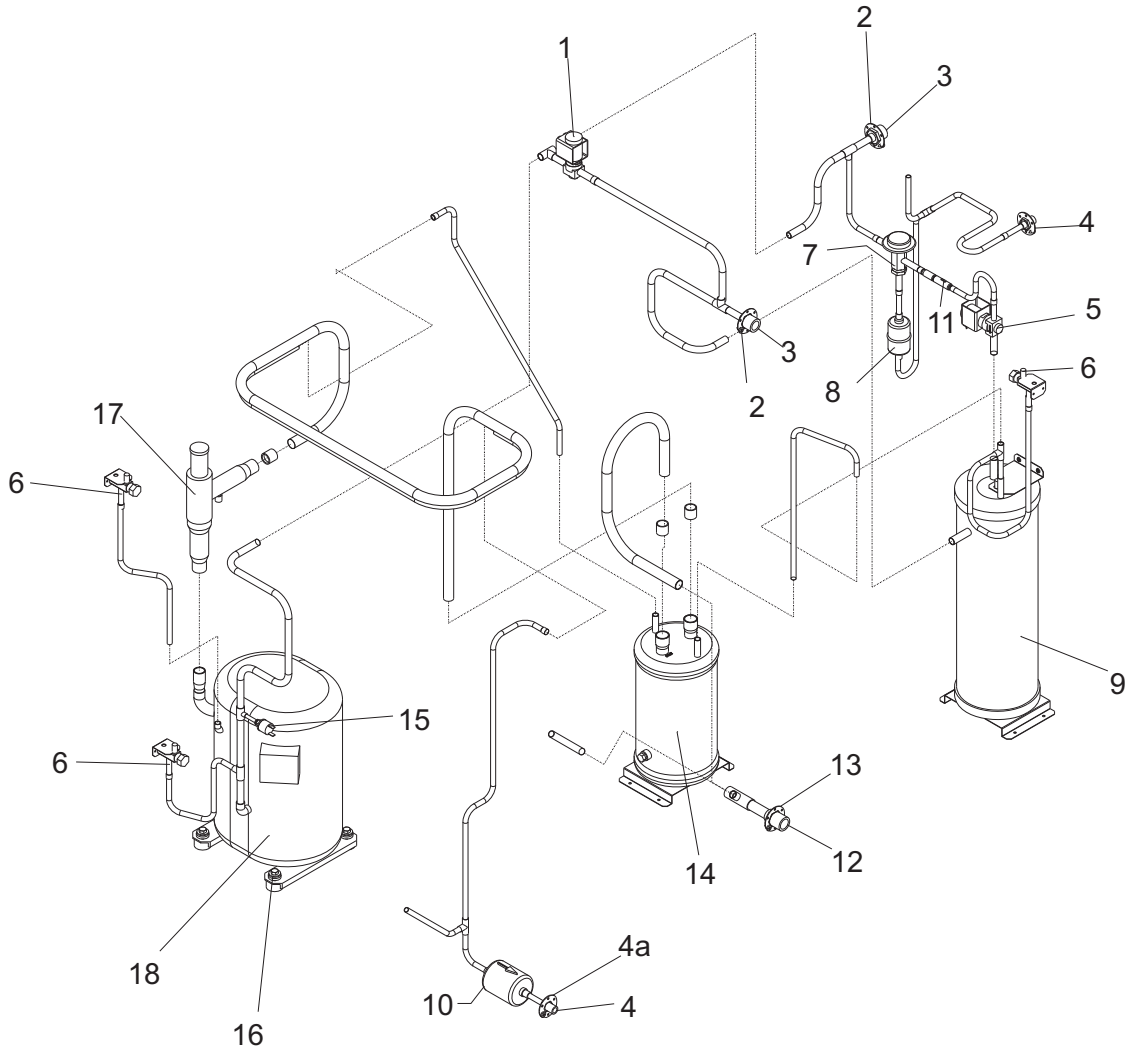
| Item Number | Part Number | Description |
|-------------|-------------|-------------------------|
| 1 | 11-0507-03 | By pass valve |
| 2 | 16-0701-14 | Mounting flange |
| 3 | 16-0850-01 | Discharge quick connect |
| 4 | 16-0850-03 | Liquid quick connect |
| 4a | 16-0701-07 | Mounting flange |
| 5 | 11-0546-01 | Liquid inlet valve |
| 6 | 16-0832-20 | Access valve |
| 7 | 11-0422-22 | Headmaster |
| 8 | 02-3231-02 | Filter |
| 9 | 16-1085-01 | Receiver |
| 10 | 02-3319-02 | Filter drier |
| 11 | 16-1029-01 | Check valve |
| 12 | 16-0850-04 | Suction quick connect |
| 13 | 16-0701-18 | Mounting flange |
| 14 | 16-0801-22 | Accumulator |
| 15 | 11-0501-22 | Hi pressure cut out |
| 16 | 18-2300-27 | Mounting grommet |
| | 18-2300-26 | Sleeve |
| | 03-1406-07 | Washer |
| | 03-1404-15 | Cap screw |
| 17 | 16-1096-21 | CPR valve |
| 18 | Compressors | |

| | | |
|------------|--------------|------------|
| C1200CP-32 | single phase | 18-8750-22 |
| C1200CP-2 | three phase | 18-8750-24 |

All compressors are 208-230 volt, 60 Hz.
 Single phase compressors include starting components. All include a drier and crankcase heaters.

EH330 and EH430 Service Parts

C1410CP Refrigeration Systems

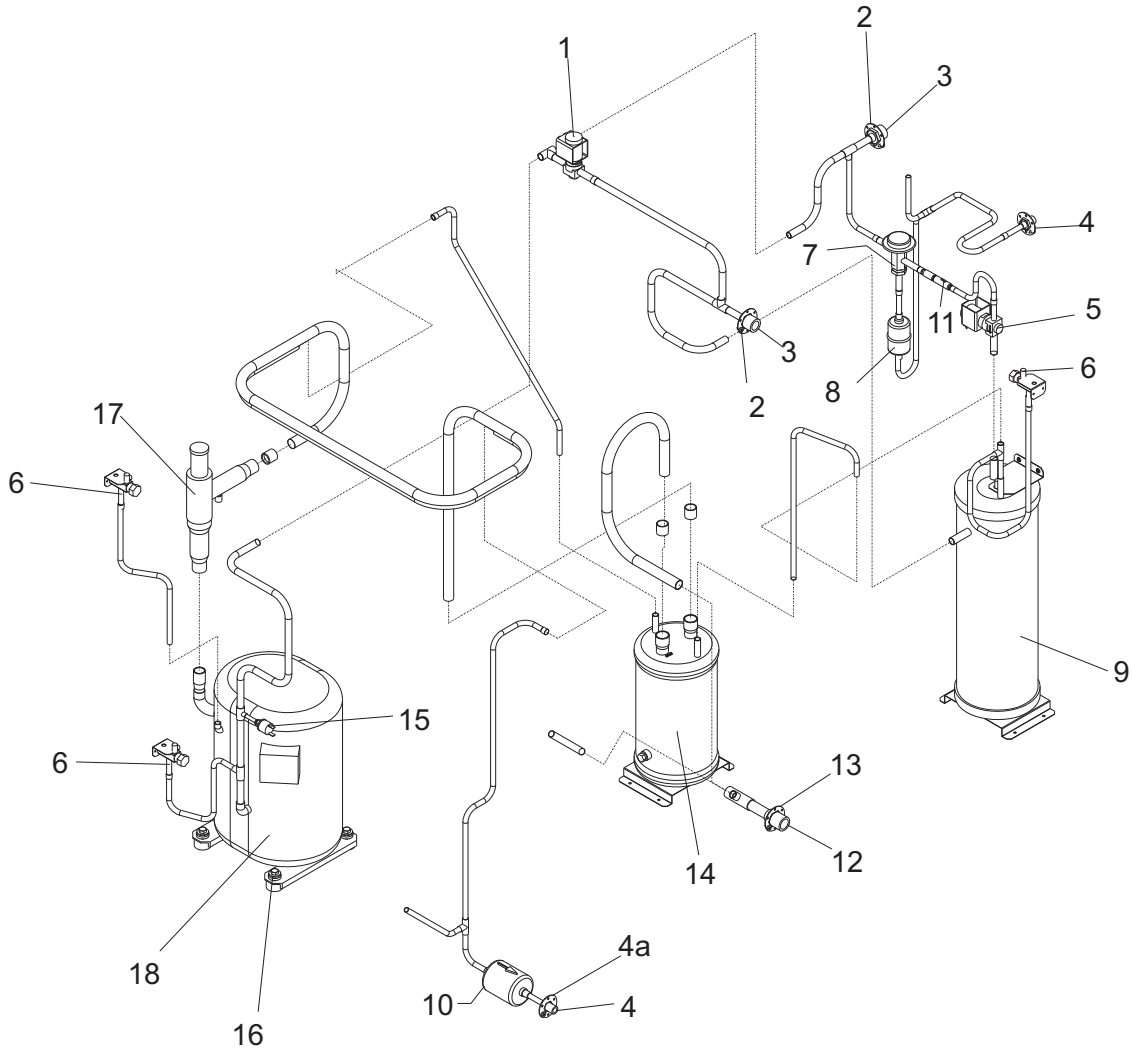


| Item Number | Part Number | Description |
|-------------|-------------|-------------------------|
| 1 | 11-0507-03 | By pass valve |
| 2 | 16-0701-14 | Mounting flange |
| 3 | 16-0850-01 | Discharge quick connect |
| 4 | 16-0850-03 | Liquid quick connect |
| 4a | 16-0701-07 | Mounting flange |
| 5 | 11-0546-01 | Liquid inlet valve |
| 6 | 16-0832-20 | Access valve |
| 7 | 11-0422-22 | Headmaster |
| 8 | 02-3231-02 | Filter |
| 9 | 16-1085-01 | Receiver |
| 10 | 02-3319-02 | Filter drier |
| 11 | 16-1029-01 | Check valve |
| 12 | 16-0850-04 | Suction quick connect |
| 13 | 16-0701-18 | Mounting flange |
| 14 | 16-0801-22 | Accumulator |
| 15 | 11-0501-22 | Hi pressure cut out |
| 16 | 18-2300-27 | Mounting grommet |
| | 18-2300-26 | Sleeve |
| | 03-1406-07 | Washer |
| | 03-1404-15 | Cap screw |
| 17 | 16-1096-21 | CPR valve |
| 18 | Compressors | |
| | C1410CP-32 | single phase 18-8749-22 |
| | C1410CP-2 | three phase 18-8749-24 |

All compressors are 208-230 volt, 60 Hz.
 Single phase compressors include starting components. All include a drier and crankcase heaters.

EH330 and EH430 Service Parts

C1800CP Refrigeration System

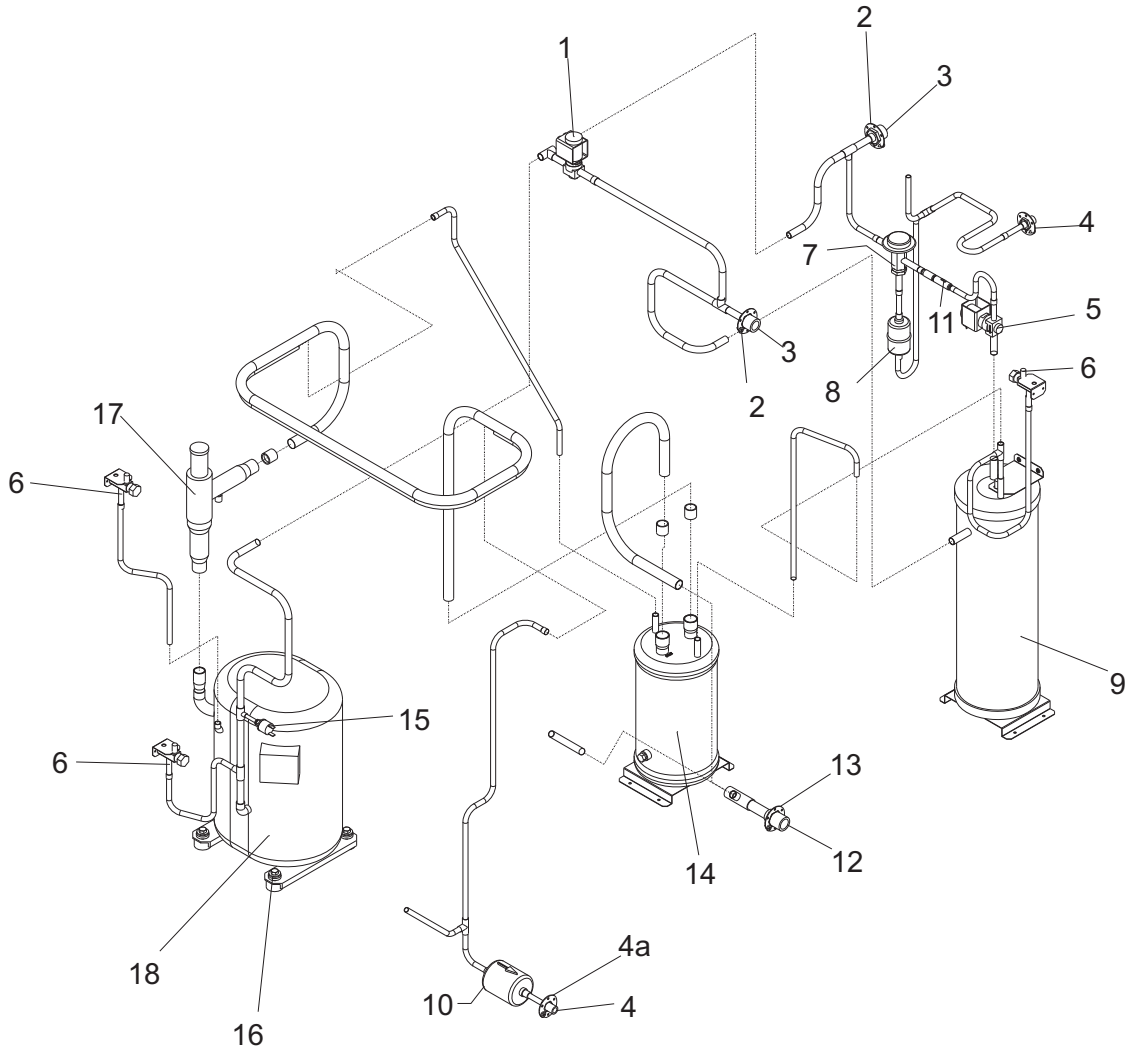


| Item Number | Part Number | Description |
|-------------|-------------|-------------------------|
| 1 | 11-0507-03 | By pass valve |
| 2 | 16-0701-14 | Mounting flange |
| 3 | 16-0850-01 | Discharge quick connect |
| 4 | 16-0850-03 | Liquid quick connect |
| 4a | 16-0701-07 | Mounting flange |
| 5 | 11-0546-01 | Liquid inlet valve |
| 6 | 16-0832-20 | Access valve |
| 7 | 11-0422-22 | Headmaster |
| 8 | 02-3231-02 | Filter |
| 9 | 16-1085-01 | Receiver |
| 10 | 02-3319-02 | Filter drier |
| 11 | 16-1029-01 | Check valve |
| 12 | 16-0850-04 | Suction quick connect |
| 13 | 16-0701-18 | Mounting flange |
| 14 | 16-1122-21 | Accumulator |
| 15 | 11-0501-22 | Hi pressure cut out |
| 16 | 18-2300-27 | Mounting grommet |
| | 18-2300-26 | Sleeve |
| | 03-1406-07 | Washer |
| | 03-1404-15 | Cap screw |
| 17 | 16-1096-21 | CPR valve |
| 18 | Compressors | |
| | C1800CP-32 | single phase 18-8930-24 |
| | C1800CP-2 | three phase 18-8930-25 |

All compressors are 208-230 volt, 60 Hz.
 Single phase compressors include starting components. All include a drier and crankcase heaters.

EH330 and EH430 Service Parts

C2000CP Refrigeration System



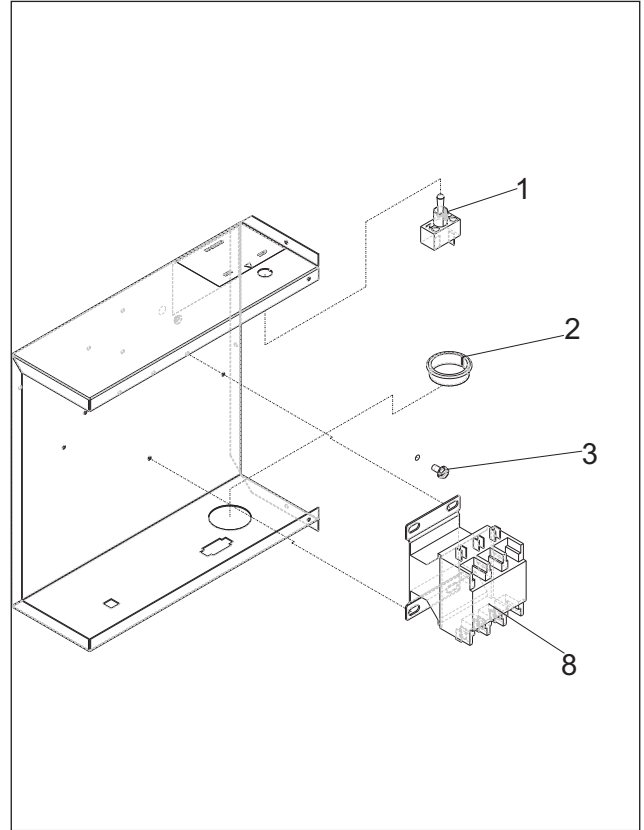
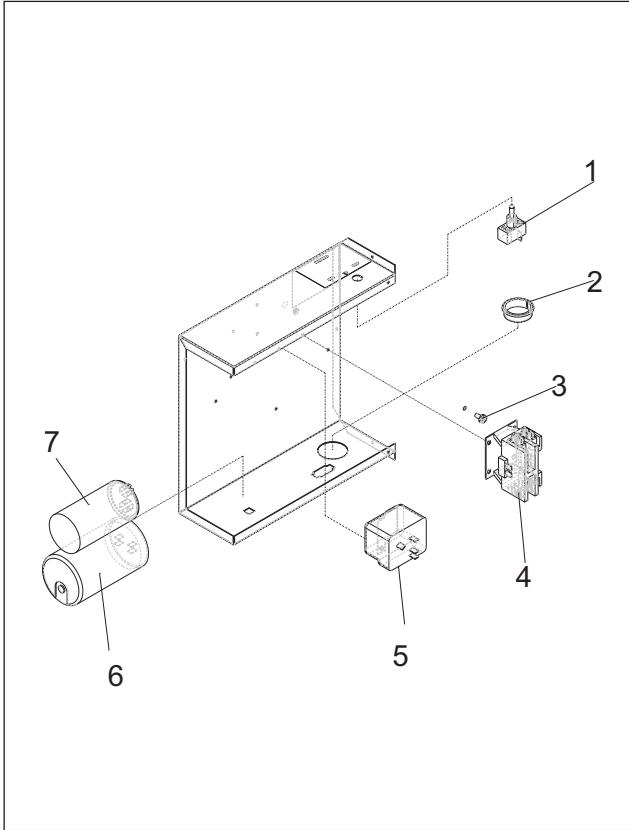
| Item Number | Part Number | Description |
|-------------|-------------|-------------------------|
| 1 | 11-0507-03 | By pass valve |
| 2 | 16-0701-14 | Mounting flange |
| 3 | 16-0850-01 | Discharge quick connect |
| 4 | 16-0850-03 | Liquid quick connect |
| 4a | 16-0701-07 | Mounting flange |
| 5 | 11-0546-01 | Liquid inlet valve |
| 6 | 16-0832-20 | Access valve |
| 7 | 11-0422-22 | Headmaster |
| 8 | 02-3231-02 | Filter |
| 9 | 16-1085-01 | Receiver |
| 10 | 02-3319-02 | Filter drier |
| 11 | 16-1029-01 | Check valve |
| 12 | 16-0850-04 | Suction quick connect |
| 13 | 16-0701-18 | Mounting flange |
| 14 | 16-1122-21 | Accumulator |
| 15 | 11-0501-22 | Hi pressure cut out |
| 16 | 18-2300-27 | Mounting grommet |
| | 18-2300-26 | Sleeve |
| | 03-1406-07 | Washer |
| | 03-1404-15 | Cap screw |
| 17 | 16-1096-21 | CPR valve |
| 18 | Compressors | |

| | | |
|------------|--------------|------------|
| C2000CP-32 | single phase | 18-8923-22 |
| C2000CP-2 | three phase | 18-8923-23 |

All compressors are 208-230 volt, 60 Hz.
Single phase compressors include starting components. All include a drier and crankcase heaters.

EH330 and EH430 Service Parts

CP Control Box



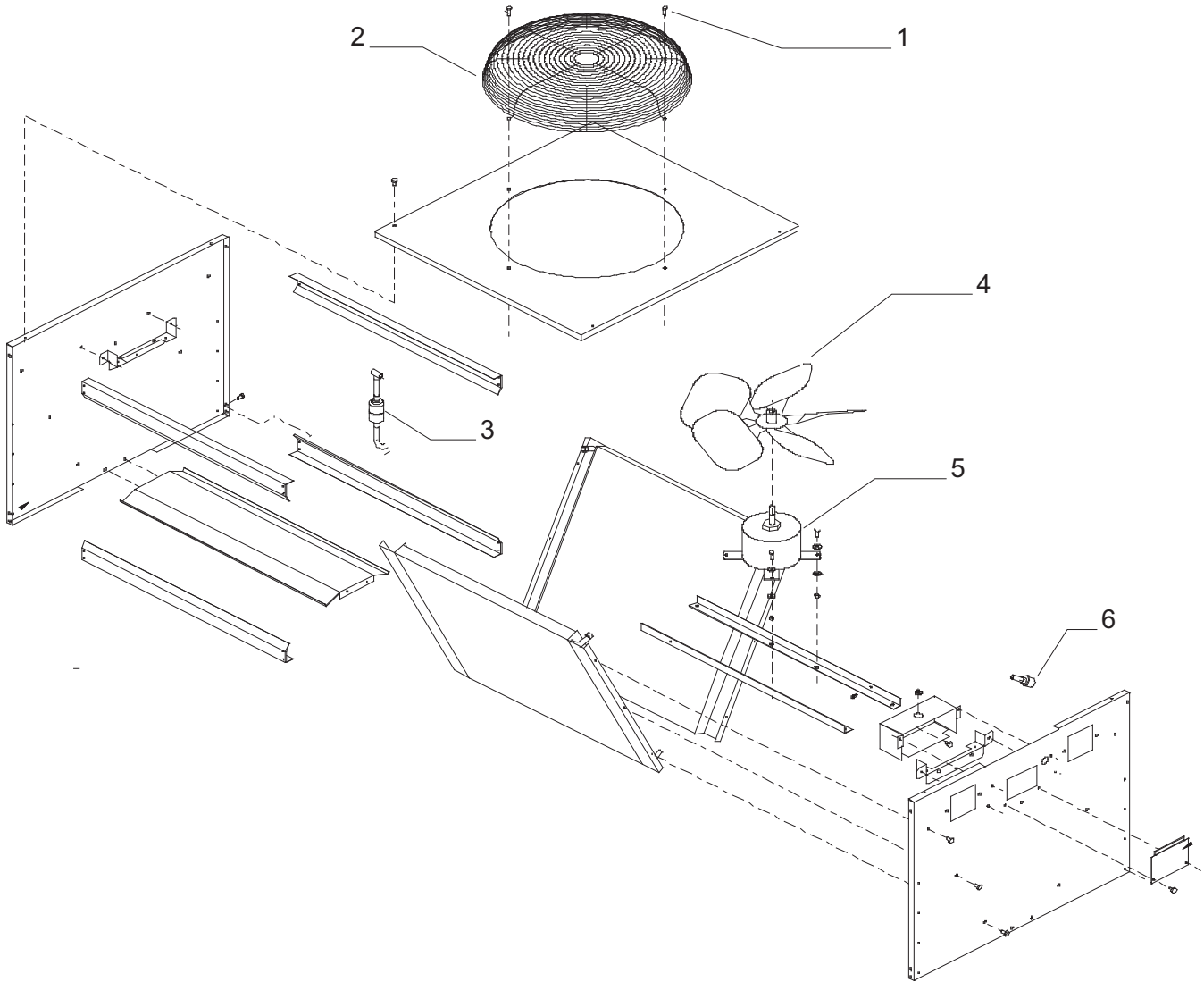
| Item Number | Part Number | Description |
|-------------|-------------|------------------------|
| 1 | 12-2637-01 | Toggle switch |
| 2 | 12-1213-20 | Snap bushing |
| 3 | 03-1531-01 | Mounting screw |
| 4 | 12-2469-01 | Single phase contactor |

| | | C1200CP-32 | C1410CP-32 | C1800CP-32 | C2000CP-32 |
|---|-----------------|------------|------------|------------|------------|
| 5 | Potential Relay | 18-1903-46 | 18-1903-46 | 18-1903-62 | 18-1903-62 |
| 6 | Start Capacitor | 18-1901-48 | 18-1901-48 | 18-1901-27 | 18-1901-27 |
| 7 | Run Capacitor | 18-1902-70 | 18-1902-70 | 18-1902-27 | 18-1902-27 |

| | | |
|------------|------------|------------------------|
| 8 | 12-2533-01 | Three phase Contactor |
| Not Shown: | | |
| 9 | 12-2836-02 | Transformer, 230 to 24 |

EH330 and EH430 Service Parts

Remote Condensers



Model ERC1086

| Item Number | Part Number | Description |
|-------------|-------------|-----------------------|
| 1 | 03-1405-08 | Screw |
| 2 | 02-3575-01 | Fan guard |
| 3 | 02-3231-03 | Filter |
| 4 | 18-8816-01 | Fan blade |
| 5 | 12-2651-01 | Fan motor |
| 6 | 16-1057-04 | Quick connect, disch |
| | 16-1057-03 | Quick connect, liquid |

Not Shown:

| | |
|------------|----------------|
| A37169-001 | Leg |
| A37170-001 | Leg brace |
| 03-1645-01 | Screw for legs |

ERC2086

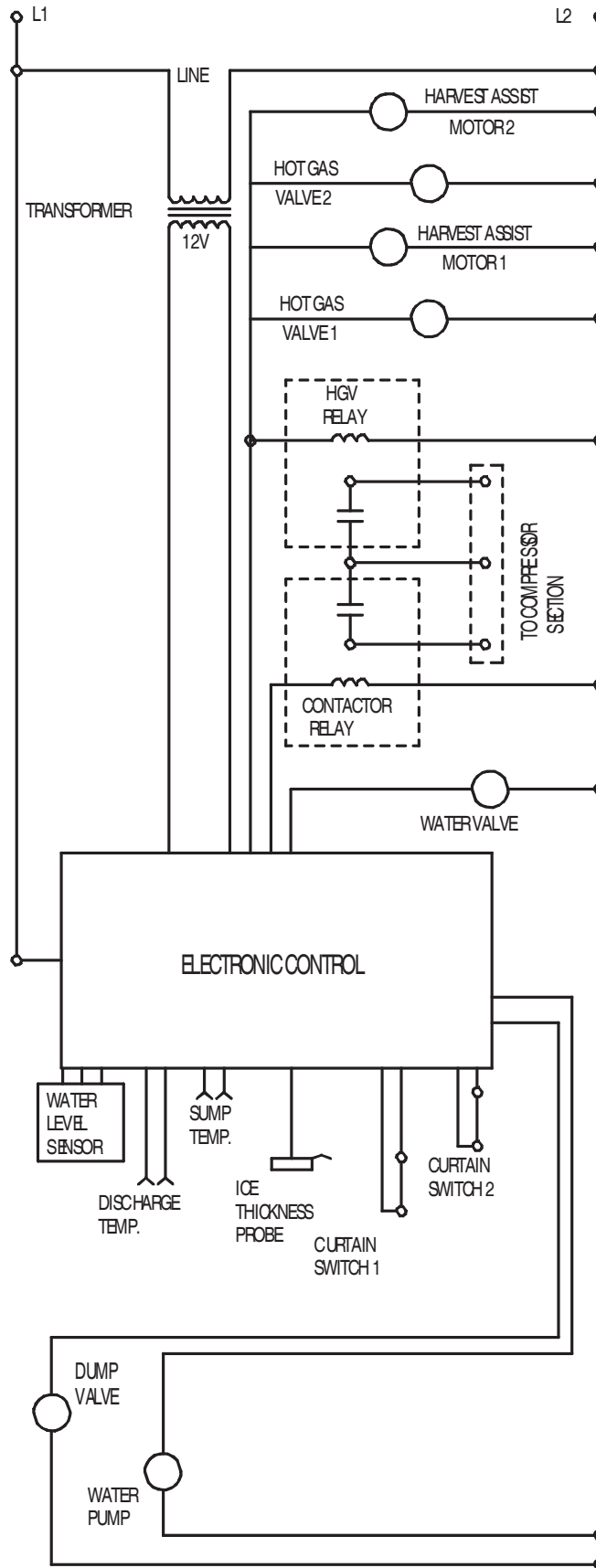
| Item Number | Part Number | Description |
|-------------|-------------|-----------------------|
| 1 | 03-1405-08 | Screw |
| 2 | 02-3770-01 | Fan guard |
| 3 | 02-3231-03 | Filter |
| 4 | 18-8820-01 | Fan blade |
| 5 | 12-2717-01 | Fan motor |
| 6 | 16-1057-04 | Quick connect, disch |
| | 16-1057-03 | Quick connect, liquid |

Not Shown:

| | |
|------------|----------------|
| A37169-001 | Leg |
| A37296-001 | Leg brace |
| 03-1645-01 | Screw for legs |

EH330 and EH430 Wiring Diagrams

EH330 or EH430 Schematic Diagram

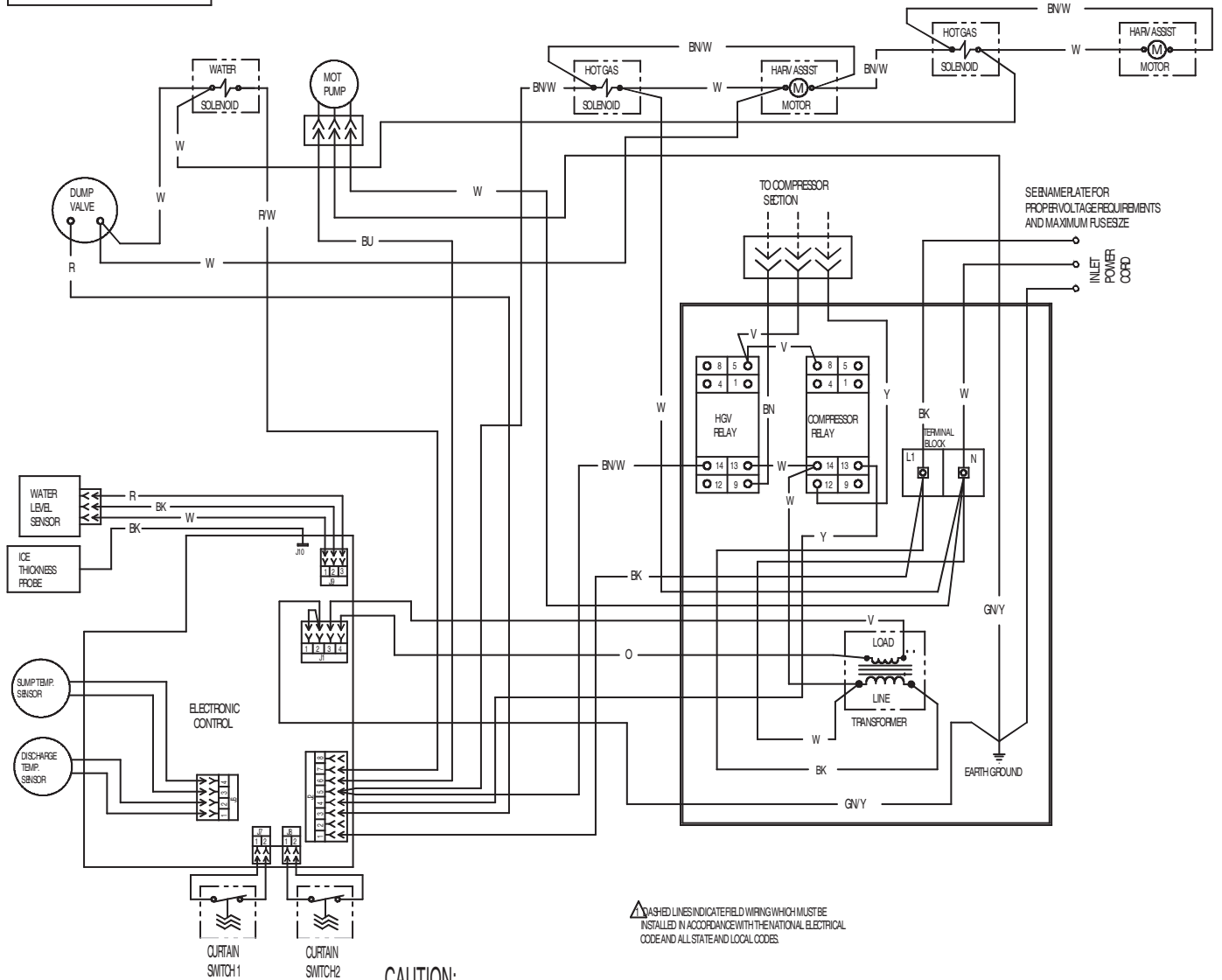


EH330 and EH430 Wiring Diagrams

EH330 or EH430 Wiring Diagram

17-3406-01

USE COPPER CONDUCTOR ONLY

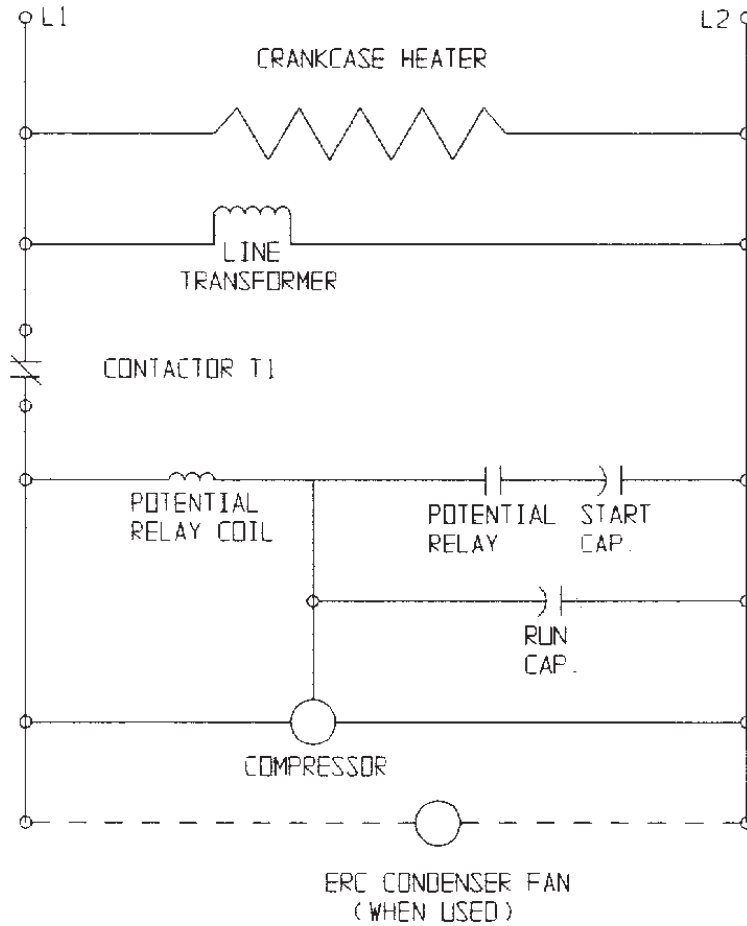
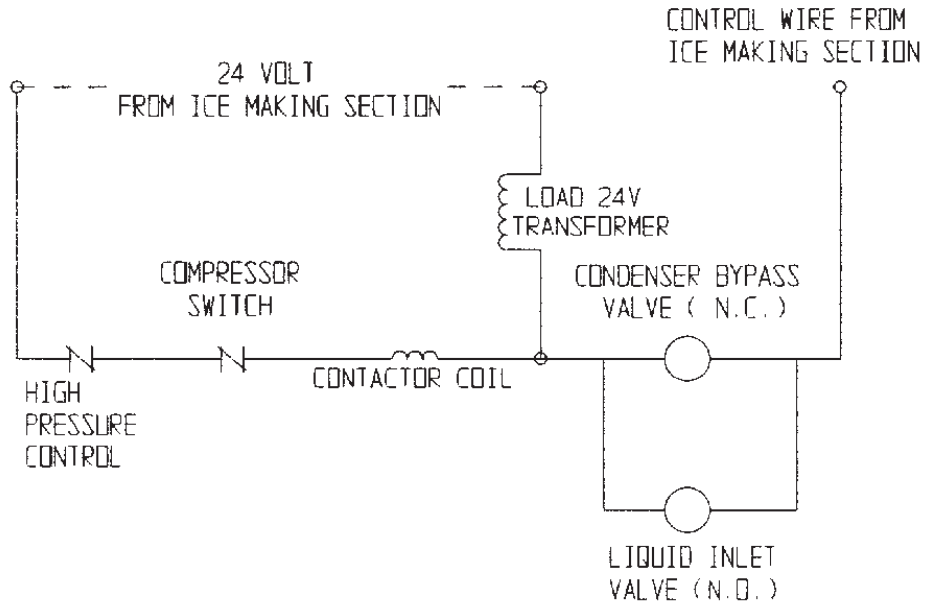


THIS UNIT MUST BE GROUNDED.

CAUTION: MORE THAN ONE DISCONNECT MEANS MAY BE REQUIRED TO DISCONNECT ALL POWER TO THIS UNIT.

EH330 and EH430 Wiring Diagrams

CP Single Phase Schematic Diagram

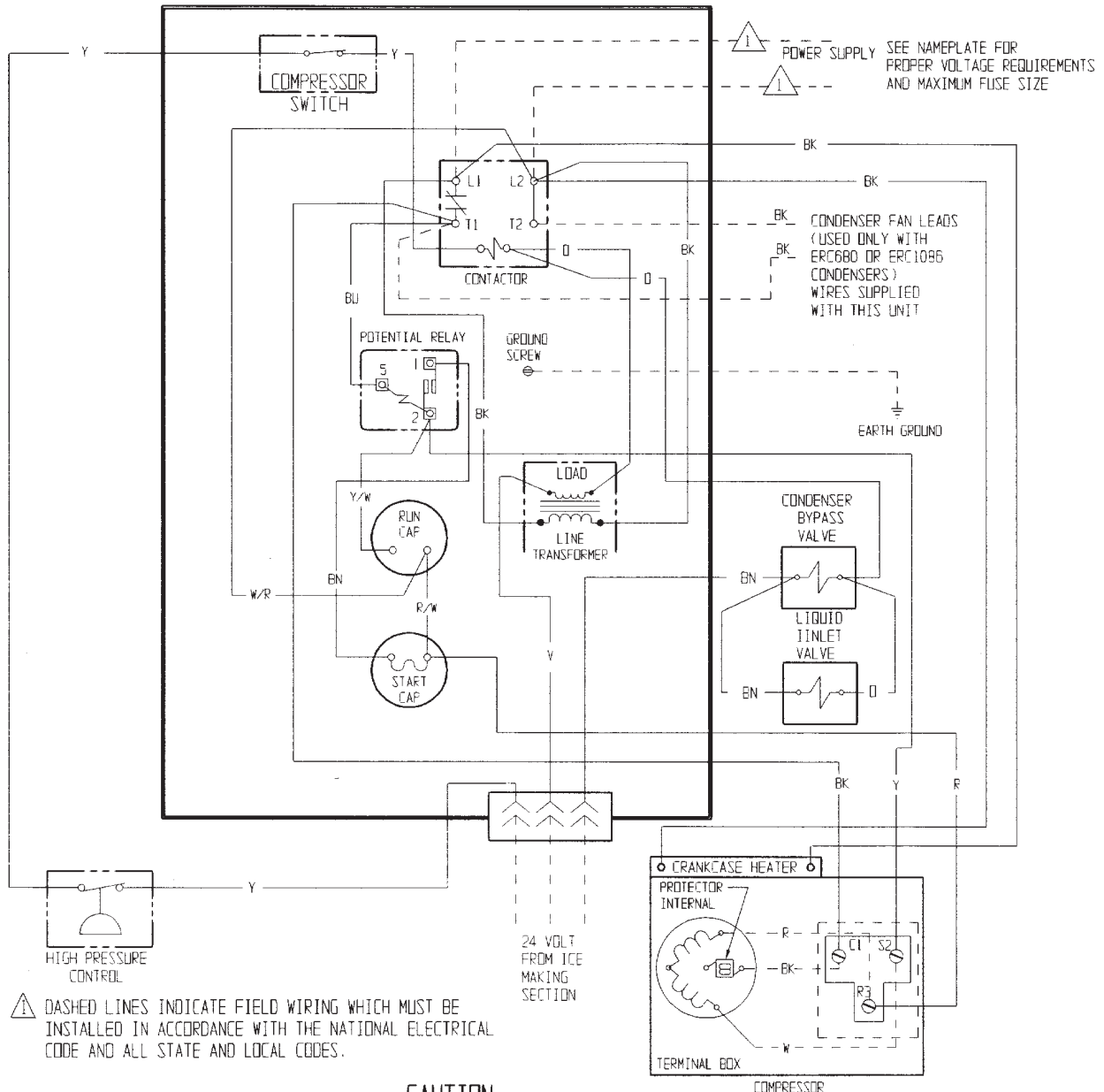


EH330 and EH430 Wiring Diagrams

CP Single Phase Wiring Diagram

17-3130-01

USE COPPER CONDUCTORS ONLY



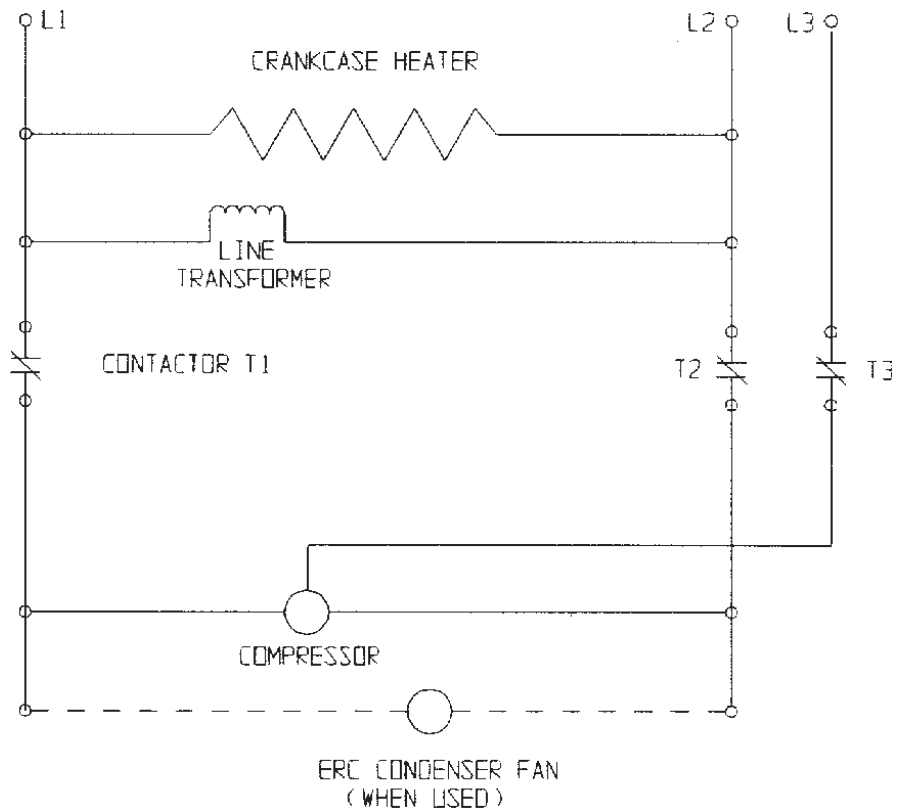
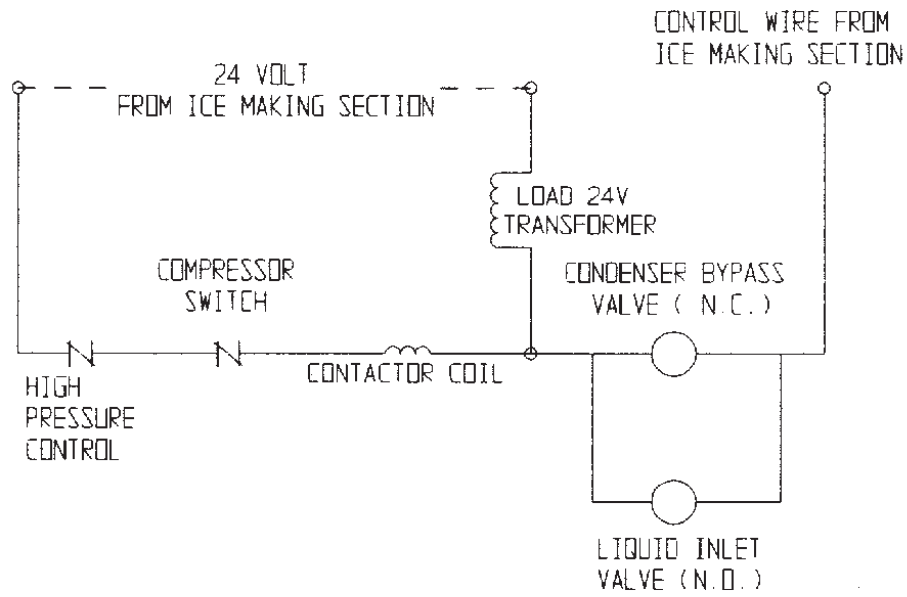
CAUTION:

MORE THAN ONE DISCONNECT MEANS MAY BE REQUIRED TO DISCONNECT ALL POWER TO THIS UNIT.

THIS UNIT MUST BE GROUNDED.

EH330 and EH430 Wiring Diagrams

CP Three Phase Wiring Diagram

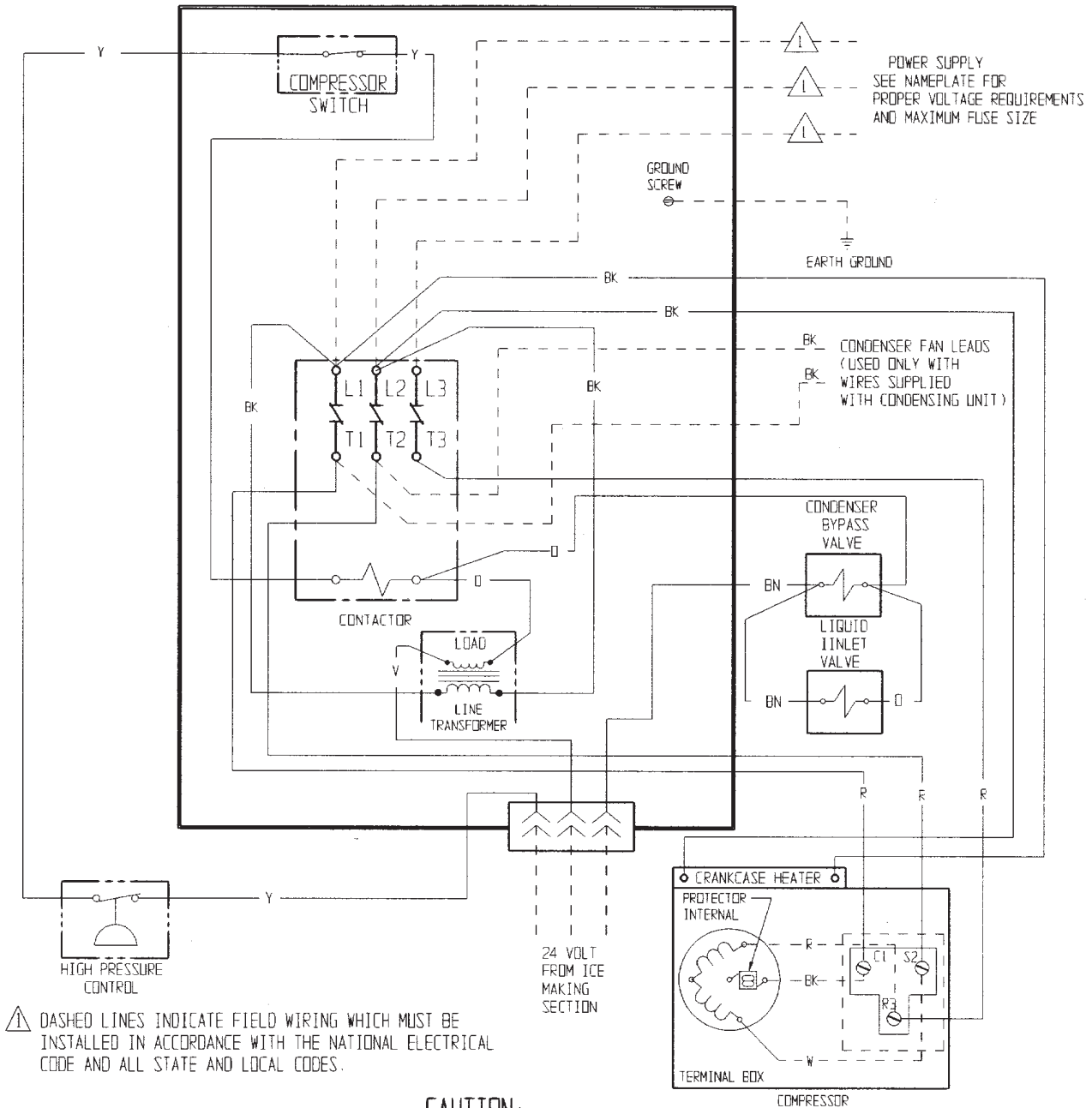


EH330 and EH430 Wiring Diagrams

CP Three Phase Schematic Diagram

17-3131-01

USE COPPER CONDUCTORS ONLY



⚠ DASHED LINES INDICATE FIELD WIRING WHICH MUST BE INSTALLED IN ACCORDANCE WITH THE NATIONAL ELECTRICAL CODE AND ALL STATE AND LOCAL CODES.

CAUTION:

MORE THAN ONE DISCONNECT MEANS MAY BE REQUIRED TO DISCONNECT ALL POWER TO THIS UNIT.

THIS UNIT MUST BE GROUNDED.