

CME456R Service Parts

This parts list contains the parts numbers for the

- CME456 remote air cooled ice machine
- ERC111 remote condenser
- ERC211 remote condenser

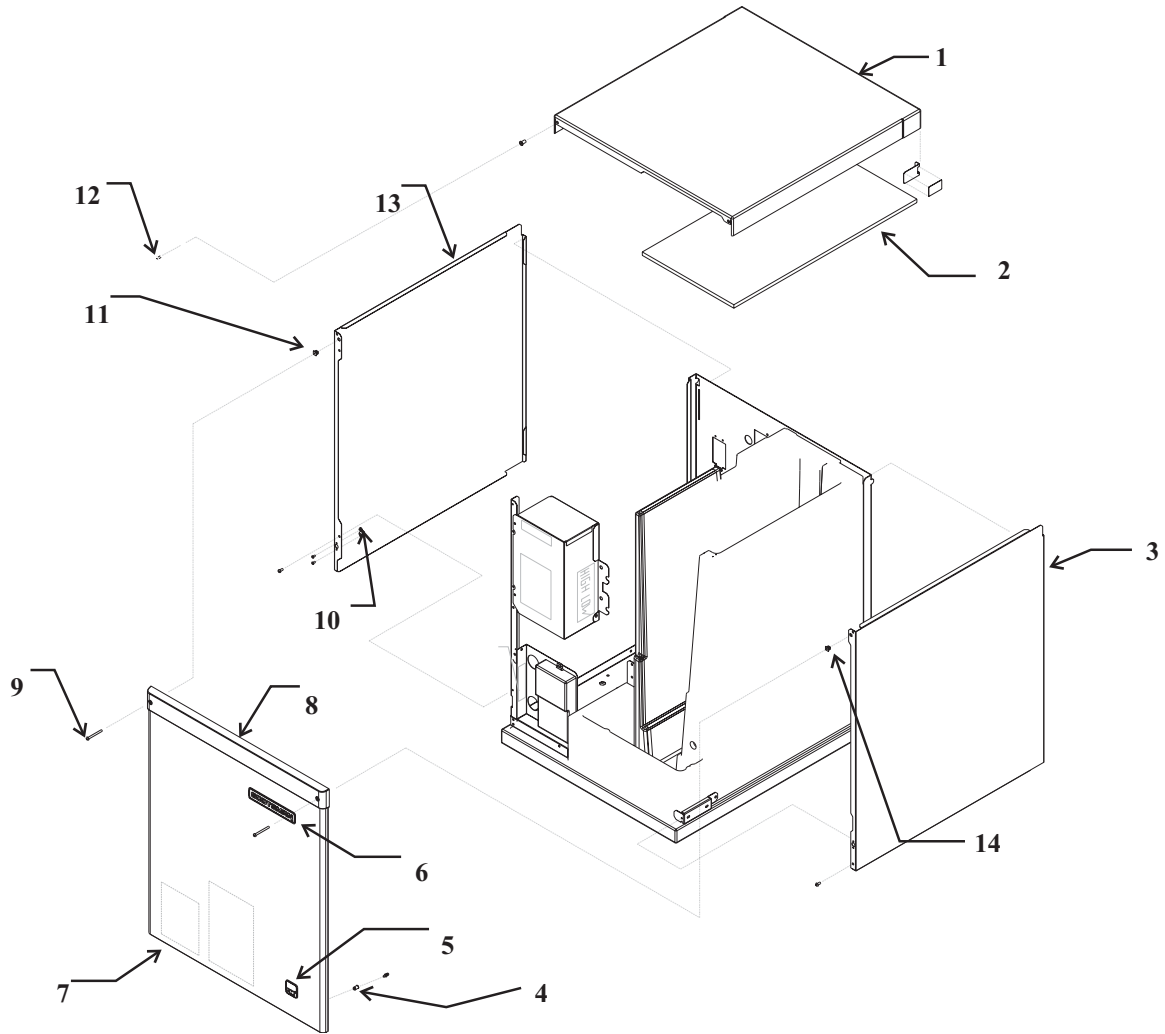
The CME456 has been manufactured in A, B and C series. Be sure to check the description to confirm that the correct part number is being ordered.

Table of Contents

Cabinet	Page 2
Water Pump and Sensor	Page 3
Evaporator and Water Distribution	Page 4
Refrigeration	Page 5
Internal Back of Cabinet	Page 6
Interior Parts	Page 7
Control Box and Electrical	Page 8
Remote Condenser	Page 9
Wiring Diagram	Page 10
Schematic Diagram	Page 11
Schematic of Two Units Connected to One ERC211 Condenser	Page 12

CME456R Service Parts

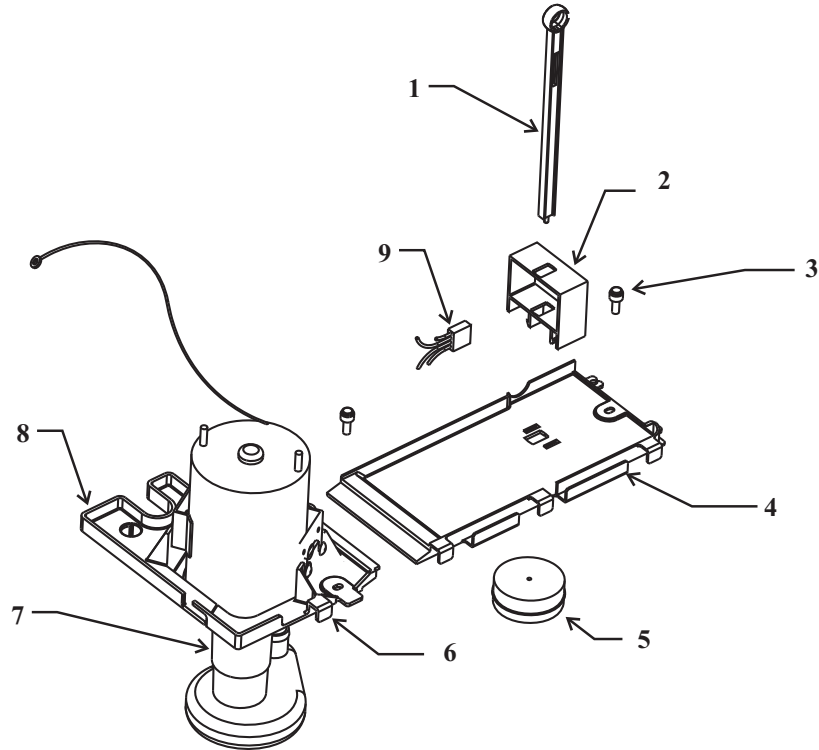
Cabinet



Item Number	Part Number	Description
1	02-3820-21	Top panel, plastic, includes item 2
2	02-3835-01	Insulation
3	A37513-021	Right side panel, includes catches
4	03-1733-01	Strike
	03-1734-01	Insert
5	15-0792-02	CM3 emblem
6	15-0808-01	Emblem
7	A37577-021	Front panel, includes trim strip, strikes and emblems
8	02-3819-31	Trim strip
9	03-1735-01	Screw
10	03-1733-02	Catch
11	03-3804-01	Catch
12	03-1409-19	Screw
13	A37531-021	Left side panel

CME456R Service Parts

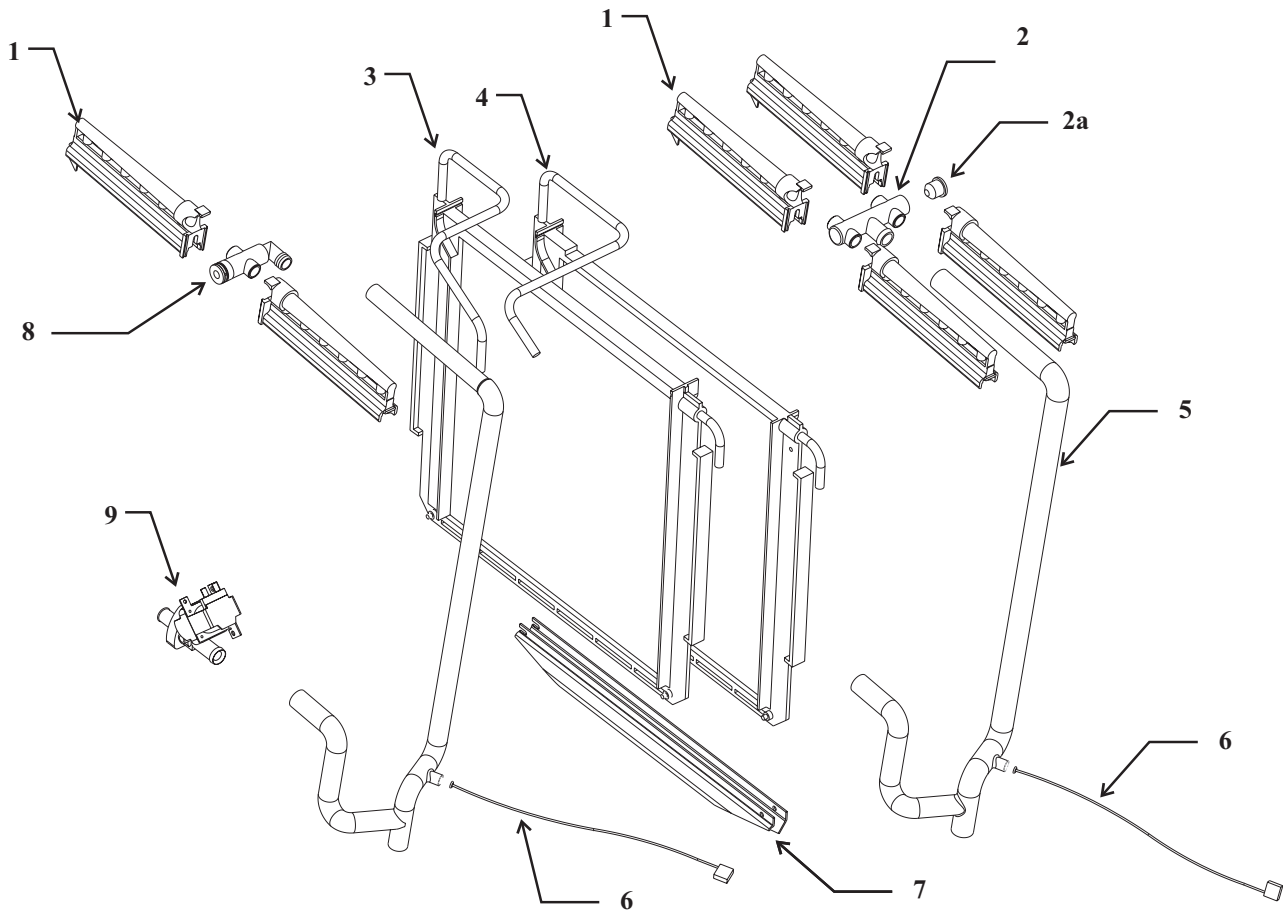
Water Pump and Sensor



Item Number	Part Number	Description
1	02-3777-03	Float stem
2	11-0539-51	Water level sensor
3	03-1691-01	Screw
4	02-3803-01	Sump cover
5	02-3341-01	Float
6	02-3813-01	Pump bracket - front half
7	12-2586-27	Water pump, CME456 115/60
8	02-3802-01	Pump bracket, back half
9	12-2665-01	Harness

CME456R Service Parts

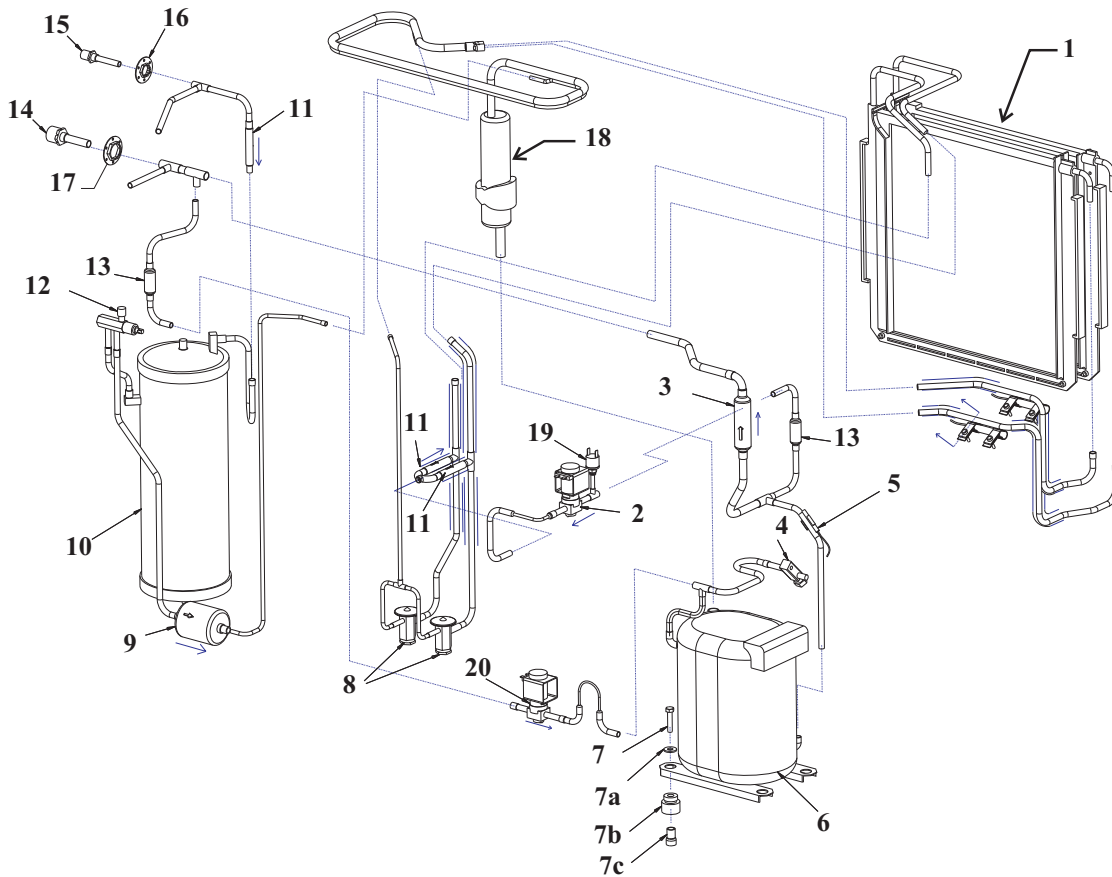
Evaporator and Water Distribution



Item Number	Part Number	Description
1	02-2527-01	Water distributor
2	02-3811-01	Manifold
2a	13-0840-01	Rubber plug
3	A37575-022	Left evaporator
4	A37575-021	Right evaporator
5	02-3807-01	Water hose
6	11-0545-21	Temperature sensor, includes discharge sensor
7	02-3824-01	Water trough
8	A30926-020	Water manifold
9	11-0514-02	Purge valve, 115/ 60 Hz

CME456R Service Parts

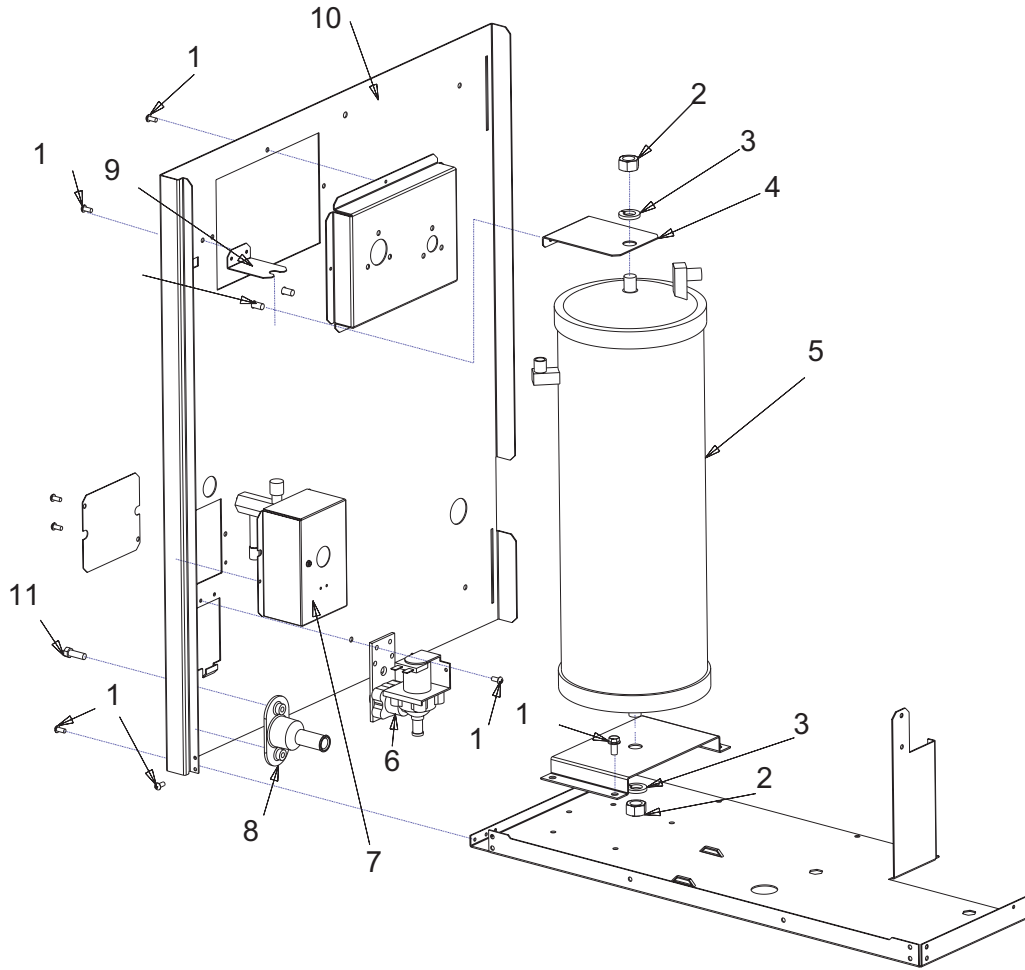
Refrigeration



Item Number	Part Number	Description	Item Number	Part Number	Description
1	see page 4	Evaporator	9	02-3319-01	Filter drier
2	12-2471-22	Hot gas valve	10	16-1037-01	Receiver
3	16-1028-01	Discharge check valve	11	16-1071-01	Check valve
4	16-0832-21	Access valve	12	16-1030-01	Liquid line access valve
	16-0832-03	Port cap	13	16-1063-01	Strainer
	16-0832-02	Stem cap	14	16-0850-01	Liquid fitting
5	11-0545-21	Discharge sensor, includes water sensor	15	16-0850-03	Discharge fitting
6	18-8839-21	Compressor, 115/60, includes PTCR and drier	16	16-0701-07	Mounting flange
6a	12-1868-01	External crankcase heater	17	16-0701-14	Mounting flange
6b	18-8711-50	Compressor overload	18	16-1070-01	Accumulator only
7	03-1405-20	Screw	19	11-0501-22	Hi press. Cut out
7a	03-1407-07	Washer	20	11-0513-21	Bypass valve
7b	18-2200-28	Grommet			
7c	18-2200-27	Sleeve			
8	16-1009-22	TXV, AN 1/2 SZ for A & B series			
	16-1115-21	TXV for C series, includes insulation			
	02-3792-02	Insulation for 16-1009-22			
	02-4045-01	Insulation for 16-1115-21			

CME456R Service Parts

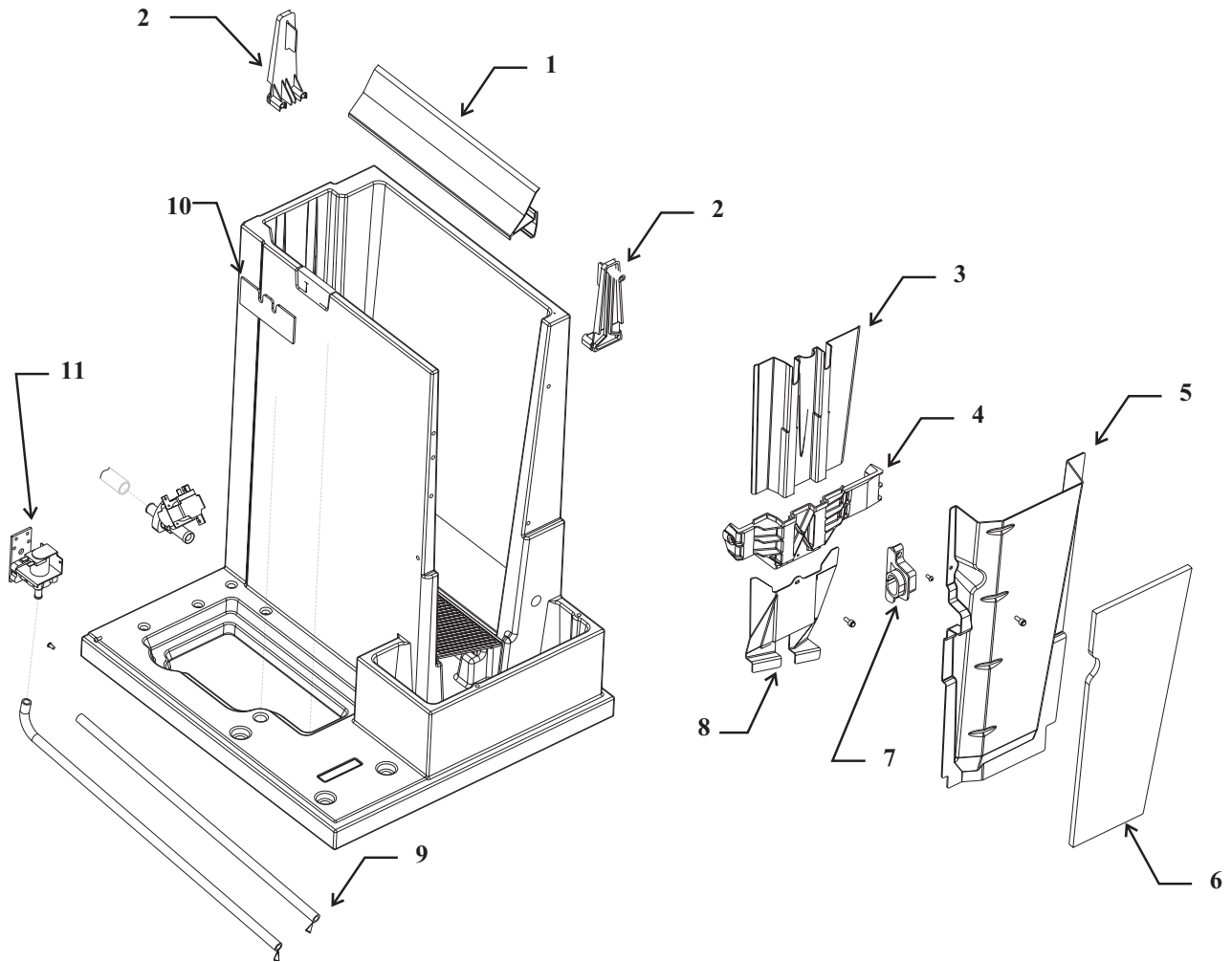
Internal Back of Cabinet



Item Number	Part Number	Description
1	03-1531-01	Screw
2	03-1406-13	Nut
3	03-1410-06	Lockwasher
4	A37211-001	Bracket
5	Receiver - see page 5	
6	12-2548-01	Inlet water valve
7	Junction box	
8	02-3692-21	Drain fitting
9	A37599-001	Bracket
10	A37526-001	Back panel
11	03-0571-01	Screw

CME456R Service Parts

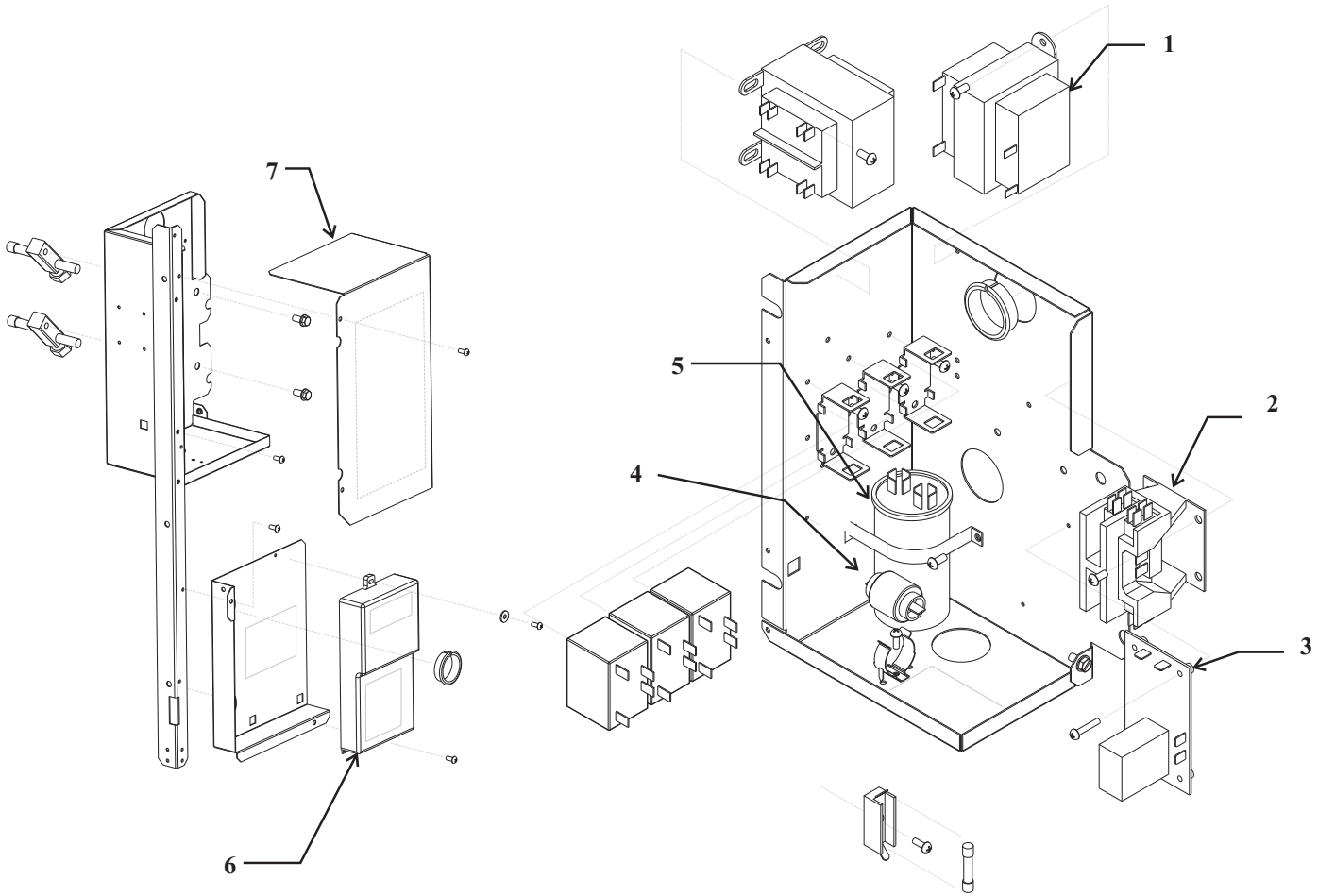
Interior Parts



Item Number	Part Number	Description
1	02-3765-02	Cascading shield
2	11-0540-21	Ice Sensors, set of two
3	02-3808-01	Upper splash panel
4	02-3805-01	Evaporator support
5	02-3815-01	Evaporator cover
6	02-3834-01	Insulation
7	02-3816-01	Grommet
8	02-3806-01	Lower splash panel
9	13-0674-02	Tubing, order 2 units (ft)
10	02-3833-02	Grommet seal
	02-3833-01	Grommet
11	12-2548-01	Water valve

CME456R Service Parts

Control Box and Electrical



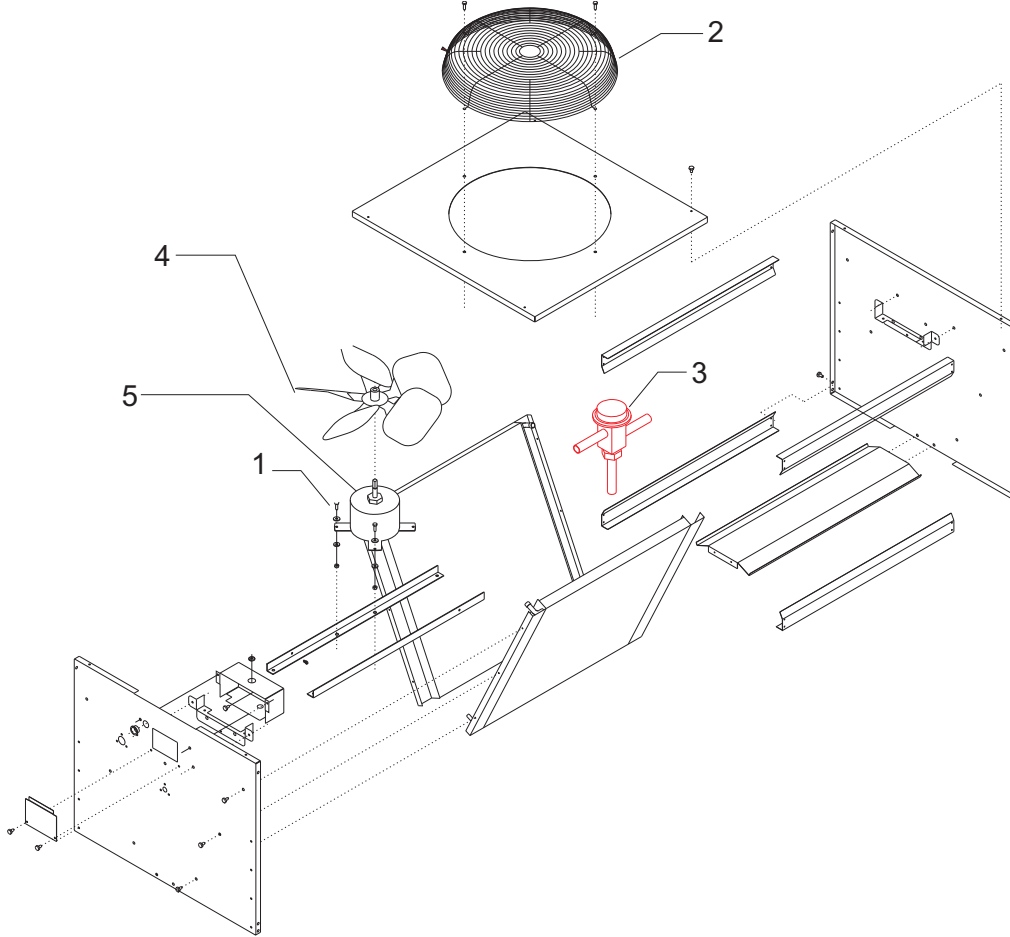
Item Number	Part Number	Description
1	A37231-001	Transformer 115/60/1
2	12-2469-01	Contactora
3	11-0531-21	Purge valve timer
4	18-8835-01	PTCR
5	18-1902-45	Run capacitor
6	12-2838-24	Controller for CME456
7	A37510-001	Control box cover

Harnesses:

Hi Voltage:
12-2771-01
Low Voltage
12-2769-02

CME456R Service Parts

Remote Condenser



ERC111 or ERC211

Item Number	Part Number	Description
1	03-1405-08	Screw
2	02-3575-01	Fan guard
3	11-0422-22	Headmaster
4	18-8816-01	Fan blade
5	12-2651-02	Fan motor (115/60/1)

Not Shown:

A37169-001	Leg
A37170-001	Leg brace
03-1645-01	Screw for legs
16-0850-01	Quick connect, discharge
16-0850-03	Quick connect, liquid

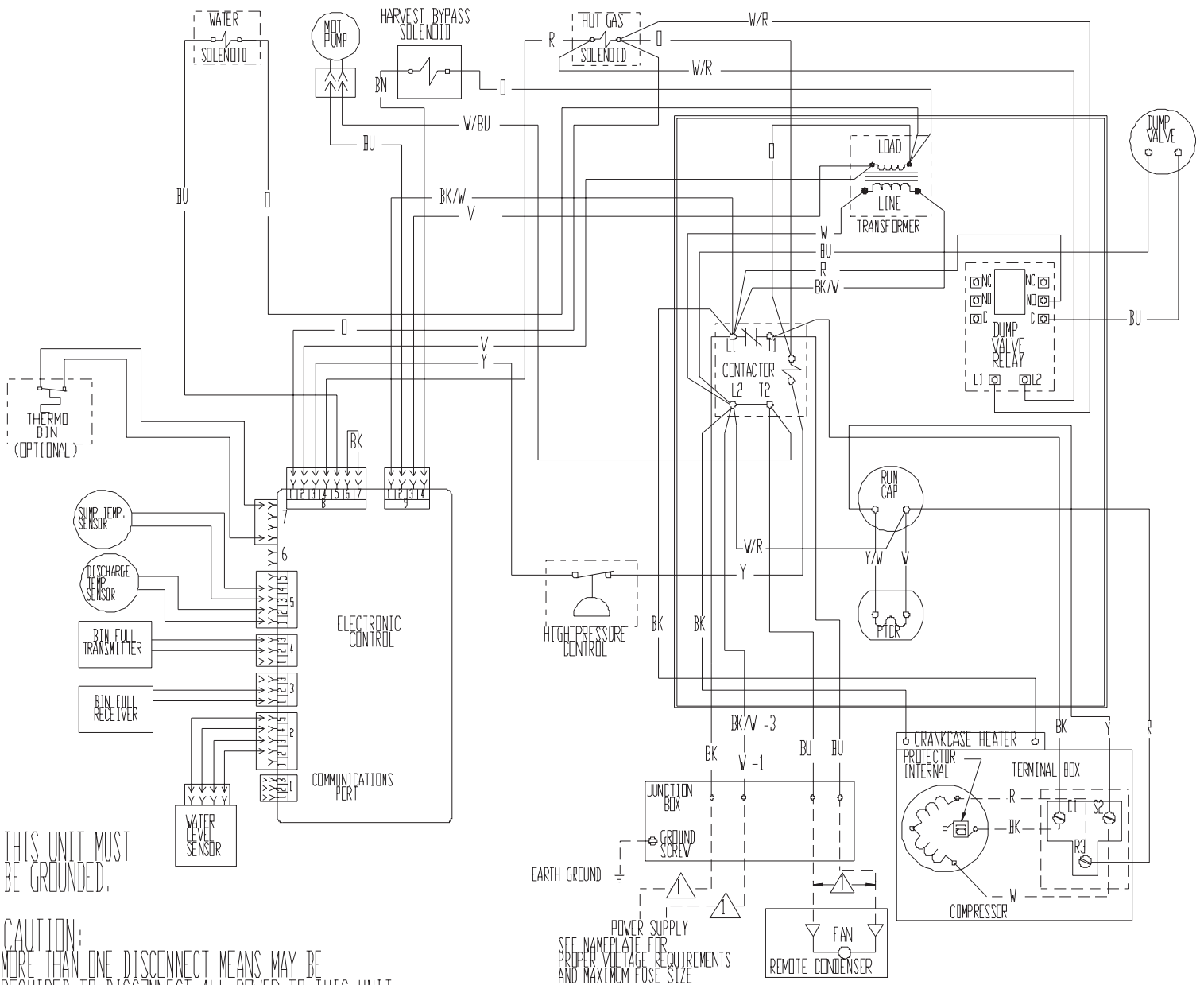
CME456R Service Parts

Wiring Diagram

17-2658-01

USE COPPER CONDUCTORS ONLY

△ DASHED LINES INDICATE FIELD WIRING WHICH MUST BE INSTALLED IN ACCORDANCE WITH THE NATIONAL ELECTRICAL CODE AND ALL STATE AND LOCAL CODES



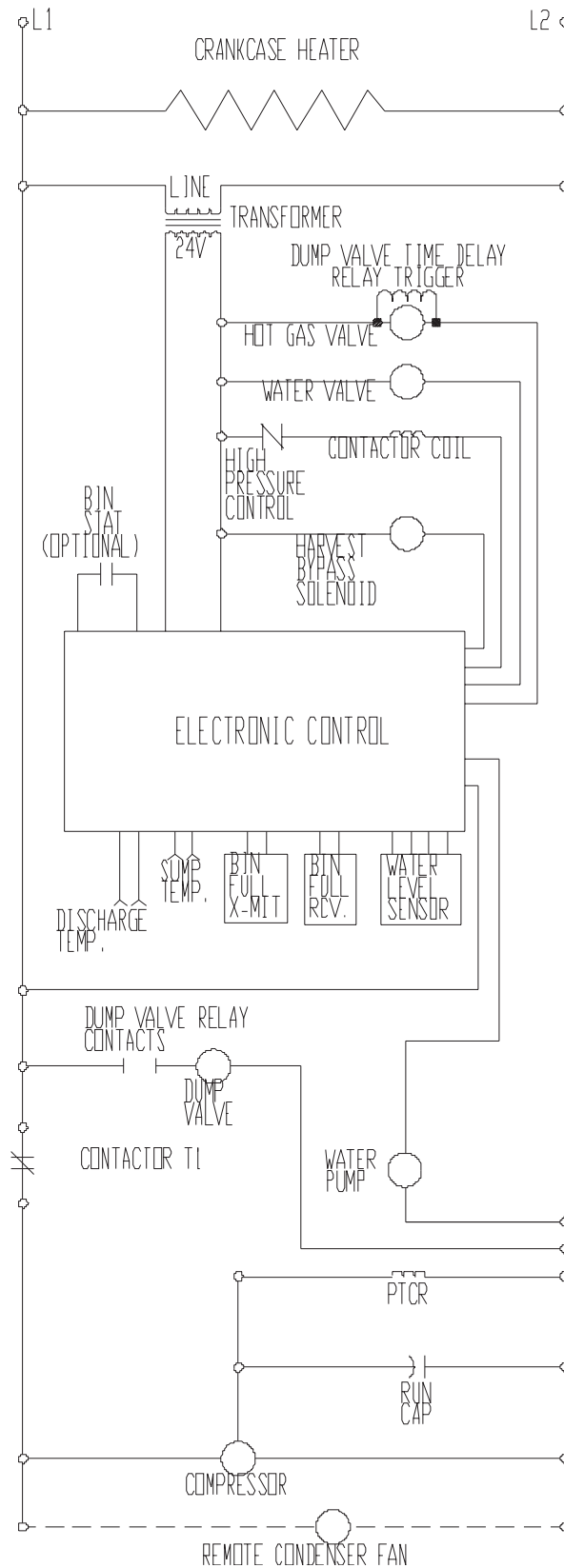
THIS UNIT MUST BE GROUNDED.

CAUTION:
MORE THAN ONE DISCONNECT MEANS MAY BE REQUIRED TO DISCONNECT ALL POWER TO THIS UNIT.

SEE NAMEPLATE FOR PROPER VOLTAGE REQUIREMENTS AND MAXIMUM FUSE SIZE

CME456R Service Parts

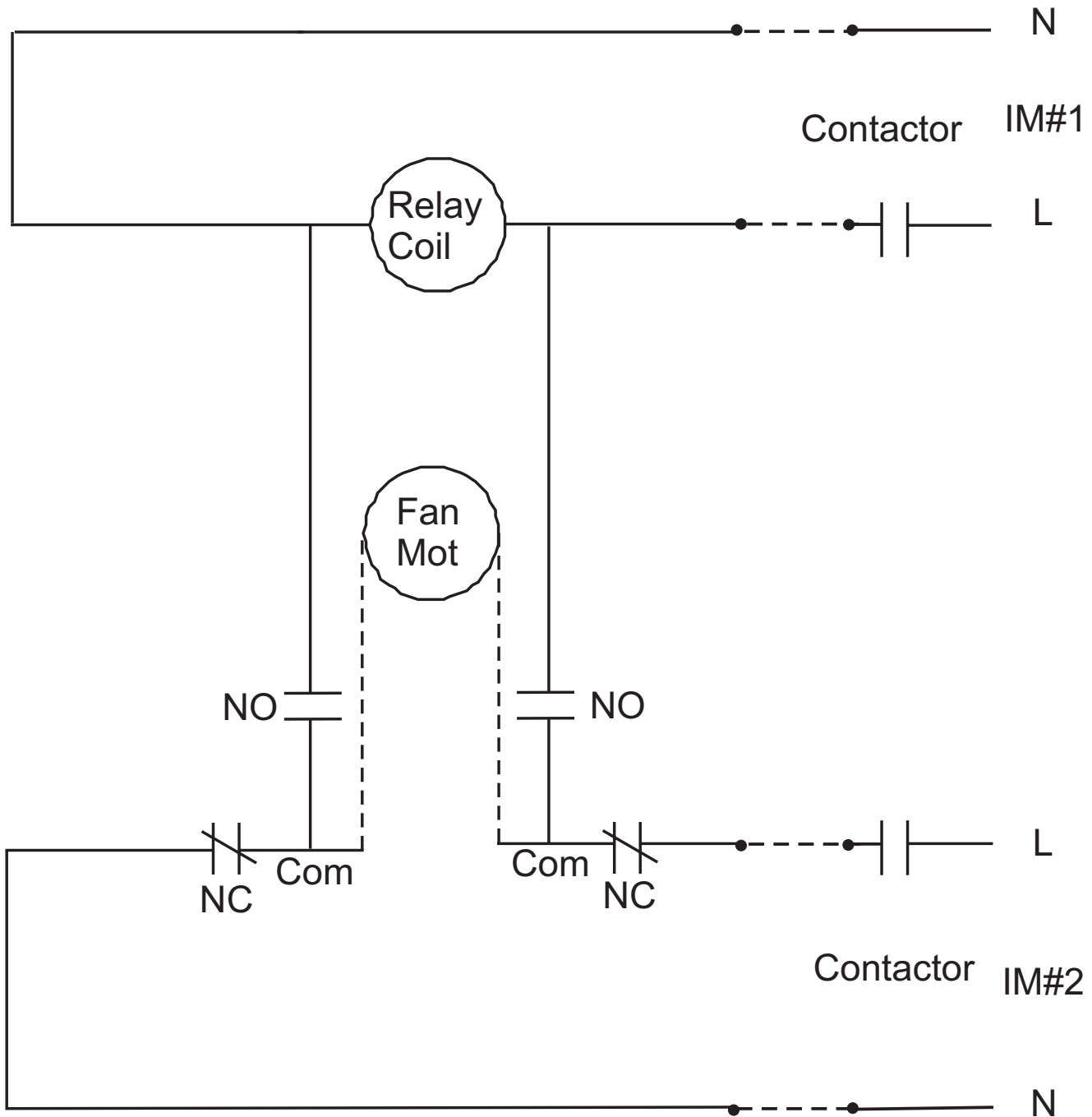
Schematic Diagram



CME456R Service Parts

Schematic of Two Units Connected to One ERC211 Condenser

KCMR115 Schematic Diagram



Dashed Lines Represent Field Wiring.

Schematic Shown with Both Ice Machines and the Fan Motor OFF.