

CM1200A Parts List

Table of Contents

Cabinet

Air Cooled

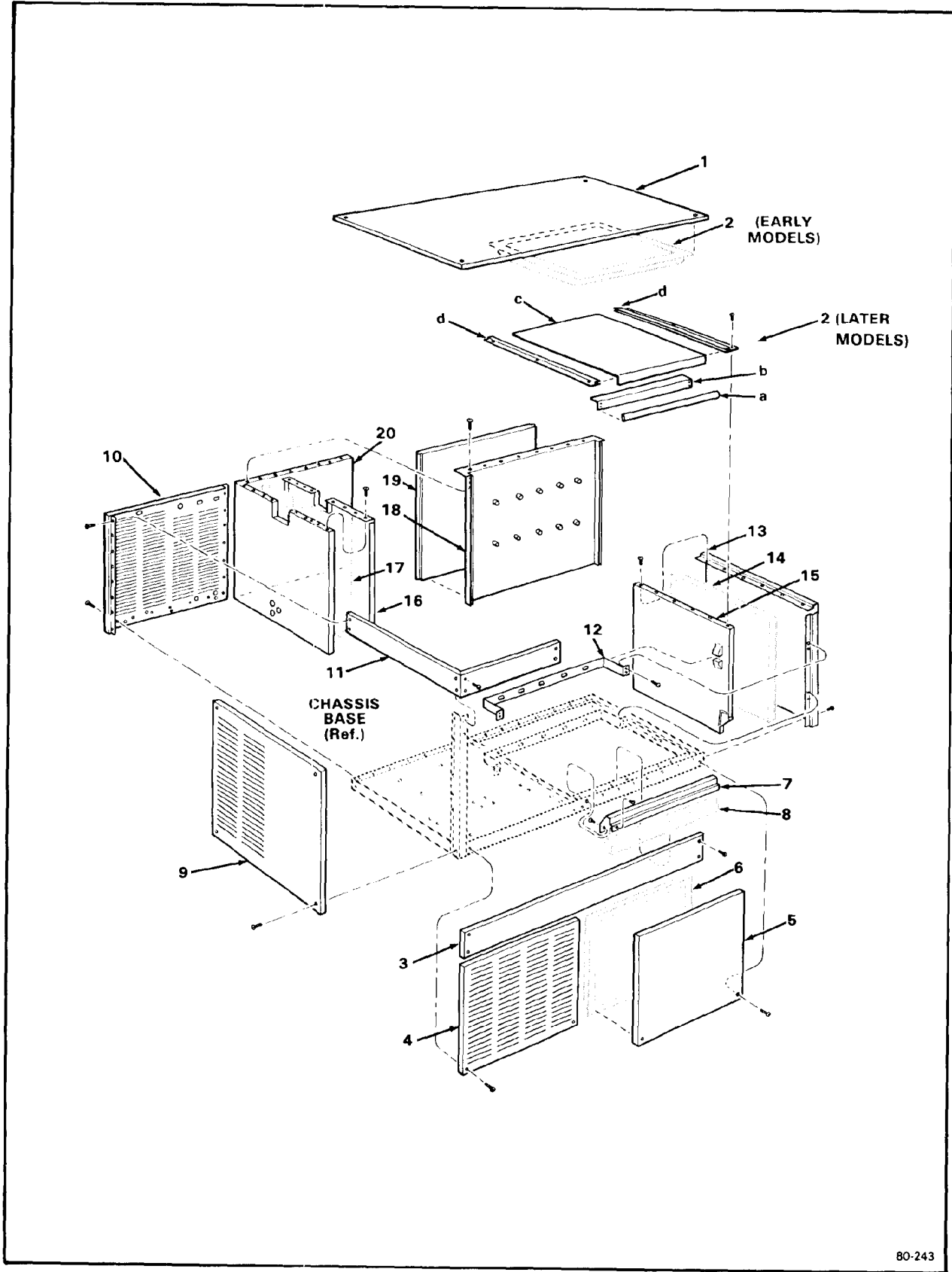
Water Cooled

Evaporator

Control Box

Wiring Diagrams

CM1200
SECTION VIII THE ILLUSTRATED PARTS LISTING



80-243

Figure 8-1. CM1200 Cabinet.

CM1200
SECTION VIII THE ILLUSTRATED PARTS LISTING

Figure 8-1. CM1200 Cabinet.

INDEX NO.	DESCRIPTION	PART NUMBER	REQ'D NUMBER
	CM1200 Cabinet * * *	No Number	1
1	Panel, Top (C.R.S. Painted)	A29167-001	1
	Panel, Top (Stainless Steel)	A29167-002	1
	attaching parts, Index 1		
	Lockwasher, No. 8 External Tooth	03-1417-03	2
	Screw, No. 8 x 1 T/F Tap	03-1404-19	6
	* * *		
2	Liner, Top Panel Foam (EARLY MODELS) (Use bead of Silastic, SCOTSMAN P/N 19-0521-01) * * *	A29183-001	1
2	(LATER MODELS)		
a	Gasket	13-0595-00	A/R
b	Brace, Upper Front	A30330-001	1
	attaching parts, Index 2b		
	Screw, No. 8 x 1/2 stainless steel	03-1404-10	4
c	Top, Liner	A30329-001	1
d	Guide, Liner	02-2759-01	2
	attaching parts, Index 2d		
	Screw, No. 8 x 1/2 stainless steel	03-1404-10	6
3	Panel Assembly -- (Top Front) (C.R.S. Painted)	A29700-001	1
	Panel Assembly -- (Top Front) (Stainless Steel)	A29700-002	1
	attaching parts, Index 3		
	Lockwasher, No. 8 External Tooth	03-1417-03	2
	Screw, No. 8 x 1/2 T/F Tap (Stainless Steel)	03-1404-10	3
	* * *		
4	Panel, Left Bottom Front (C.R.S. Painted)	A29173-001	1
	Panel, Left Bottom Front (Stainless Steel)	A29173-002	1
5	Panel, Right Bottom Front (C.R.S. Painted)	A29174-001	1
	Panel, Right Bottom Front (Stainless Steel)	A29174-002	1
	attaching parts, Index 4 & 5		
	Lockwasher, No. 8 External Tooth	03-1417-03	2 (4)
	Screw, No. 8 x 1/2 T/F Tap (Stainless Steel)	03-1404-10	2 (4)
	* * *		
6	Liner, Lower Front Foam (Use bead of Silastic, SCOTSMAN P/N 19-0521-01) * * *	A29184-001	1

CM1200
SECTION VIII THE ILLUSTRATED PARTS LISTING

Figure 8-1. CM1200 Cabinet (Cont'd)

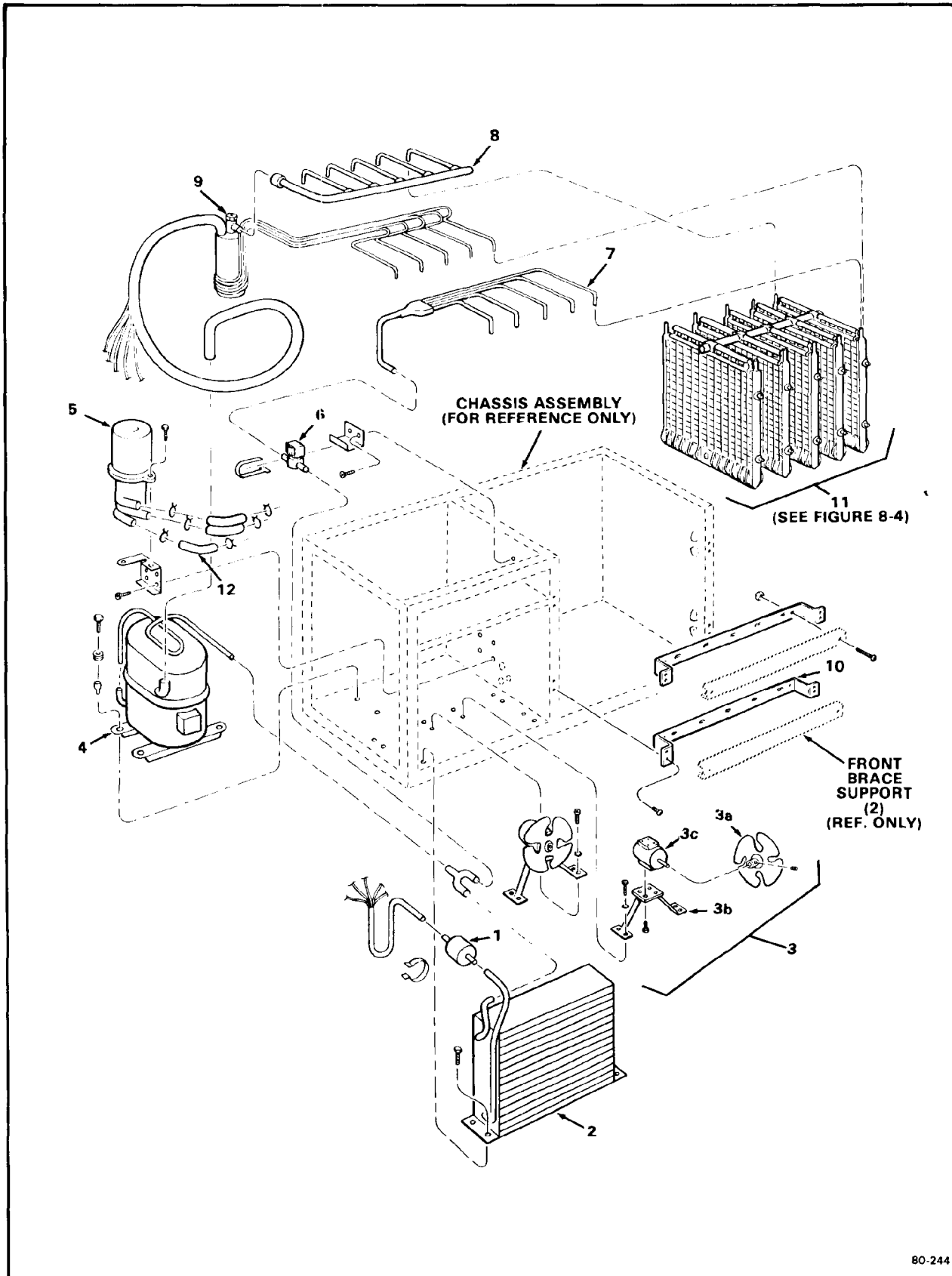
INDEX NO.	DESCRIPTION	PART NUMBER	REQ'D NUMBER
7	Liner, Cap	02-2532-01	1
8	Insulation, Cap Liner attaching parts, Index 8 & 9 Screw, No. 8 x 1/2 T/F Tap (Stainless Steel) * * *	02-2552-01 03-1404-10	1 14
9	Panel, Left Side (C.R.S. Painted) Panel, Left Side (Stainless Steel) attaching parts, Index 9 Lockwasher, No. 8 External Tooth Screw, No. 8 x 1/2 T/F Tap (Stainless Steel) * * *	A29168-001 A29168-002 03-1417-03 03-1404-10	1 1 2 6
10	Panel, Back - Left (Galvanized) attaching part, Index 10 Screw, No. 8 x 1 T/F Tap * * *	A29318-001 03-1404-19	1 12
11	Brace, Front Corner attaching part, Index 11 Screw, No. 8 x 1/2 T/F Tap * * *	A29170-001 03-1404-09	1 8
12	Brace, Front attaching part, Index 12 Screw, No. 8 x 1/2 T/F Tap (Stainless Steel) * * *	A29204-001 03-1404-10	2 4 (8)
13	Panel, Right Side (C.R.S. Painted) Panel, Right Side (Stainless Steel) attaching parts, Index 13 Lockwasher, No. 8 External Tooth Screw, No. 8 x 1/2 T/F Tap (Stainless Steel) * * *	A29317-001 A29317-002 03-1417-03 03-1404-10	1 1 2 6
14	Insulation, Right Side * * *	03-2536-01	1
15	Liner, Right Side (Use bead of Silastic, SCOTSMAN P/N 19-0521-01) attaching part, Index 15 Screw, No. 8 x 1/2 T/F Tap (Stainless Steel) * * *	02-2534-01 03-1404-10	1 18

CM1200
SECTION VIII THE ILLUSTRATED PARTS LISTING

Figure 8-1. CM1200 Cabinet (Cont'd)

INDEX NO.	DESCRIPTION	PART NUMBER	REQ'D NUMBER
16	Liner, Left Side (Use bead of Silastic, SCOTSMAN P/N 19-0521-01) attaching part, Index 16 Screw, No. 8 x 1/2 T/F Tap (Stainless Steel) * * *	02-2533-01	1
		03-1404-10	19
17	Insulation, Left Side * * *	02-2538-01	1
18	Liner, Back (Use bead of Silastic, SCOTSMAN P/N 19-0521-01) Screw, No. 8 x 1/2 T/F Tap (Stainless Steel) * * *	02-2531-01	1
		03-1404-10	14
19	Insulation, Back * * *	02-2537-01	1
20	Retainer attaching parts, Index 20 Screw, No. 8 x 1/2 T/F Tap * * *	A29157-001	1
		03-1404-09	15

CM1200
SECTION VIII THE ILLUSTRATED PARTS LISTING



80-244

Figure 8-2. Major Assemblies — Air-Cooled

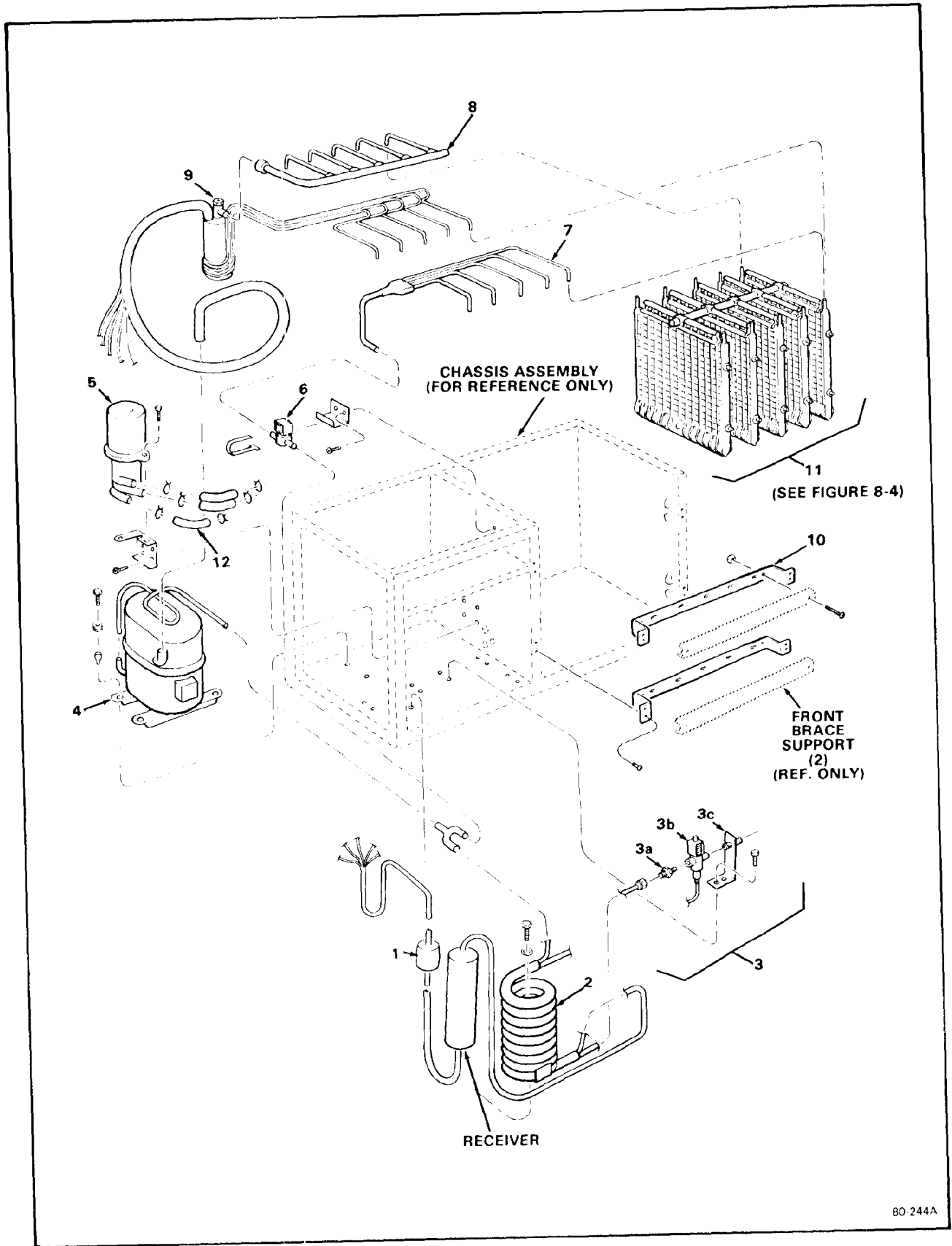
CM1200
SECTION VIII THE ILLUSTRATED PARTS LISTING
Figure 8-2. Major Assemblies — Air Cooled

INDEX NO.	DESCRIPTION	PART NUMBER	REQ'D NUMBER
	Major Assemblies — Air-Cooled * * *	No Number	Ref.
1	Drier attaching parts, Index 1 Bracket, Drier Screw, No. 8 x 1/2 T/F Tap * * *	02-2426-02 A09388-001 03-1404-09	1 1 1
2	Condenser — Air-Cooled attaching parts, Index 2 Screw, No. 1/4-20 x 1/2 T/C Hex Hd * * *	A29795-001 03-0571-00	1 4
3	Fan Motor & Mounting Bracket Assembly	No Number	1
3a	Blade, Fan w/setscrew	18-3732-01	1
3b	Bracket, Fan Motor Mounting	18-0597-00	1
3c	Motor, Fan attaching parts, Index 3 Screw, No. 1/4-20 x 1/2 T/C Hex Hd * * *	18-5105-01 03-0571-00	2 2 (4)
4	Compressor, COPELAND (115/208-230/60/1)	18-4300-02	1
	Compressor, COPELAND (115/208-220/60/3)	18-4300-03	1
	attaching parts, Index 4 Grommet	18-2300-27	4
	Sleeve, Mounting	18-2300-26	4
	Screw, No. 5/16-18 x 1-1/2 Hex Cap * * *	03-1405-20	4
	Compressor, TECUMSEH (115/208-230/60/1)	18-3850-02	1
4	Compressor, TECUMSEH (115/208-220/60/3)	18-3850-03	1
	attaching parts, Index 4 Grommet	18-2300-27	4
	Sleeve, Mounting	18-2300-26	4
	Screw, No. 5/16-18 x 1-1/2 Hex Cap * * *	03-1405-20	4
	5	Pump Assembly, Water attaching parts, Index 5 Screw, No. 1/4-20 x 3/4 T/C Hex Hd * * *	A29829-001 03-0571-01

CM1200
SECTION VIII THE ILLUSTRATED PARTS LISTING
Figure 8-2. Major Assemblies — Air-Cooled (Cont'd)

INDEX NO.	DESCRIPTION	PART NUMBER	REQ'D NUMBER
6	Valve, Solenoid — Hot Gas attaching parts Bracket Screw, No. 8 x 1/2 T/F Tap * * *	12-2146-01 No Number 03-1404-09	1 1 2
7	Tube Assembly, Hot Gas * * *	A29260-001	1
8	Manifold Assembly * * *	A29272-001	1
9	Exchanger Assembly, Heat (Accumulator) For use with Copeland and Tecumseh compressors. * * *	A30325-020	1
10	Brace, Front attaching parts, Index 10 Screw, No. 8 x 1/2 T/F Tap (Stainless) * * *	A29204-001 03-1404-10	2 4 (8)
11	Evaporator Section Components & Assemblies (See Figure 8-4) * * *	No Number	Ref.
12	Performed Hose * * *	05-0521-01	3

CM1200
SECTION VIII THE ILLUSTRATED PARTS LISTING



80 244A

Figure 8-3. Major Assemblies — Water Cooled.

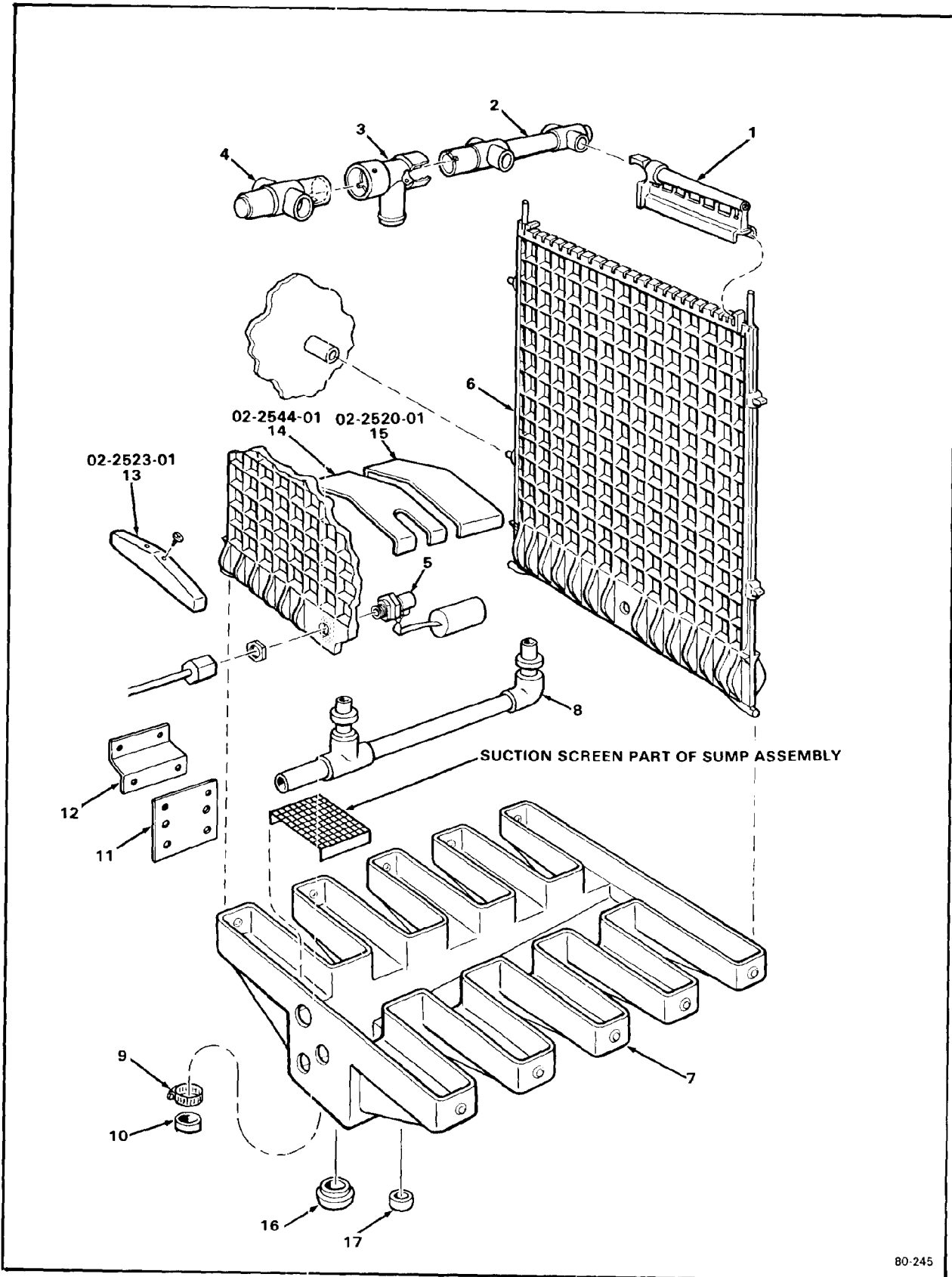
CM1200
SECTION VIII THE ILLUSTRATED PARTS LISTING
Figure 8-3. Major Assemblies — Water Cooled

INDEX NO.	DESCRIPTION	PART NUMBER	REQ'D NUMBER
	Major Assemblies — Water-Cooled * * *	No Number	Ref.
1	Drier attaching parts, Index 1 Bracket, Drier Screw, No. 8 x 1/2 T/F Tap * * *	02-2426-02 A09388-001 03-1404-09	1 1 1
2	Condenser — Water-Cooled attaching parts, Index 2 Screw, No. 1/4-20 x 1/2 T/C Hex Hd * * *	18-3306-03 03-0571-00	1 2
3	Regulator Assembly, Water-Cooled attaching part, Index 3 Screw, No. 1/4-20 x 1/4 T/C Hex Hd	No Number 03-0571-00	1 2
3a	Coupling — 3/8 NPT x 3/8 Flare, Brass	16-0355-00	1
3b	Valve, Water Regulator	11-0198-02	1
3c	Bracket, Mounting — w/nipple * * *	A15924-000	1
4	Compressor, COPELAND (115/208-230/60/1)	18-4300-02	1
	Compressor, COPELAND (115/208-220/60/3)	18-4300-03	1
	attaching parts, Index 4		
	Grommet	18-2300-27	4
	Sleeve, Mounting	18-2300-26	4
	Screw, No. 5/16-18 x 1-1/2 Hex Cap * * *	03-1405-20	4
4	Compressor, TECUMSEH (115/208-230/60/1)	18-3850-02	1
	Compressor, TECUMSEH (115/208-220/60/3)	18-3850-03	1
	attaching parts, Index 4		
	Grommet	18-2300-27	4
	Sleeve, Mounting	18-2300-26	4
	Screw, No. 5/16-18 x 1-1/2 Hex Cap * * *	03-1405-20	4
5	Pump Assembly, Water attaching parts, Index 5	A29829-001	1
	Screw, No. 1/4-20 x 3/4 T/C Hex Hd * * *	03-0571-01	2

CM1200
SECTION VIII THE ILLUSTRATED PARTS LISTING
Figure 8-3. Major Assemblies — Water Cooled (Cont'd)

INDEX NO.	DESCRIPTION	PART NUMBER	REQ'D NUMBER
6	Valve, Solenoid — Hot Gas attaching parts Bracket Screw, No. 8 x 1/2 T/F Tap * * *	12-2146-01 No Number 03-1404-09	1 1 2
7	Tube Assembly, Hot Gas * * *	A29260-001	1
8	Manifold Assembly * * *	A29272-001	1
9	Exchanger Assembly, Heat (Accumulator) For use with Copeland and Tecumseh compressors. * * *	A30325-020	1
10	Brace, Front attaching parts, Index 10 Screw, No. 8 x 1/2 T/F Tap (Stainless) * * *	A29204-001 03-1404-10	2 4 (8)
11	Evaporator Section Components & Assemblies (See Figure 8-4) * * *	No Number	Ref.
12	Performed Hose * * *	05-0521-01	3

CM1200
SECTION VIII THE ILLUSTRATED PARTS LISTING



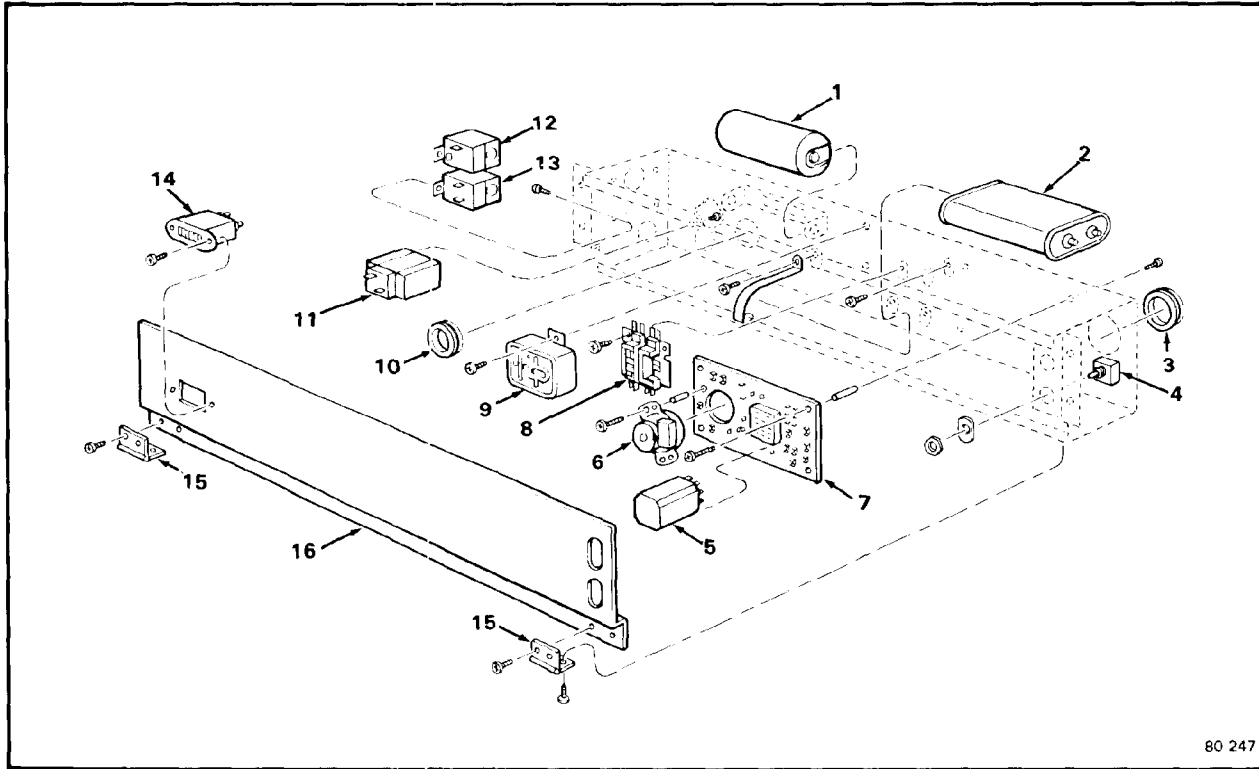
80-245

Figure 8-4. Evaporator Section Components & Assemblies.

CM1200
SECTION VIII THE ILLUSTRATED PARTS LISTING
Figure 8-4. Evaporator Section Components & Assemblies.

INDEX NO.	DESCRIPTION	PART NUMBER	REQ'D NUMBER
	Evaporator Section Components & Assemblies (See Figure 8-2 & 8-3 for next higher Assembly) * * *	No Number	Ref.
1	Tube, Water Distributor * * *	02-2527-01	10
2	Manifold, Water -- (Long) * * *	02-2521-01	1
3	Tee * * *	02-2519-01	2
4	Manifold, Water -- (Short) * * *	A29703-001	3
5	Valve Assembly, Water — (includes Float) attaching part, Index 5 Nut, Hex — (p/o Valve Assembly) * * *	02-2542-01 No Number	1 1
6	Plate, Evaporator (Holes drilled on both sides for attaching Sump Covers) * * *	A29428-020	5
7	Sump Assembly (includes suction screen) * * *	A29547-020	1
8	Water Tube, Sump * * *	A29730-001	1
9	Clamp * * *	02-1530-01	1
10	Cap, Sump * * *	13-0796-01	1
11	Bracket, Bin Thermo * * *	A30204-001	1
12	Bulb Holder * * *	A29762-001	1
13	Cover, End Sump * * *	02-2523-01	2
14	Cover, Sump * * *	02-2544-01	2
15	Cover, Sump * * *	02-2520-01	2
16	Plug-Rubber, Sump	13-0847-01	1
17	Plug, Drain		1

CM1200
SECTION VIII THE ILLUSTRATED PARTS LISTING



80 247

Figure 8-5. Control Box Assembly

INDEX NO.	DESCRIPTION	Air-Cooled: A/C Water-Cooled: W/C	A/C	W/C	PART NUMBER	PHASE	
						1 208 230 60	3 208 220 60
	Control Box Assembly (See Figure 8-2 & 8-3 for next higher Assembly) * * *		X	X	No Number	Ref.	Ref.
1	Capacitor, Start (COPELAND Compressor Models)		X	X	18-1901-23	1	—
	Capacitor, Start (TECUMSEH Compressor Models) * * *		X	X	18-1901-40	1	—
2	Capacitor, Run (COPELAND Compressor Models)		X	X	18-1902-45	1	—
	Capacitor, Run (TECUMSEH Compressor Models) attaching part, Index 2 Screw, No. 8-32 x 3/4 Phil Recess Pan Hd * * *				03-1403-21	1	—
3	Bushing, Snap * * *		X	X	12-1213-13	1	1
4	Switch, Toggle		X	X	12-0426-01	2	1
	Switch, Toggle — (Top switch/Compressor) * * *		X	X	12-2174-01	—	1

CM1200
SECTION VIII THE ILLUSTRATED PARTS LISTING

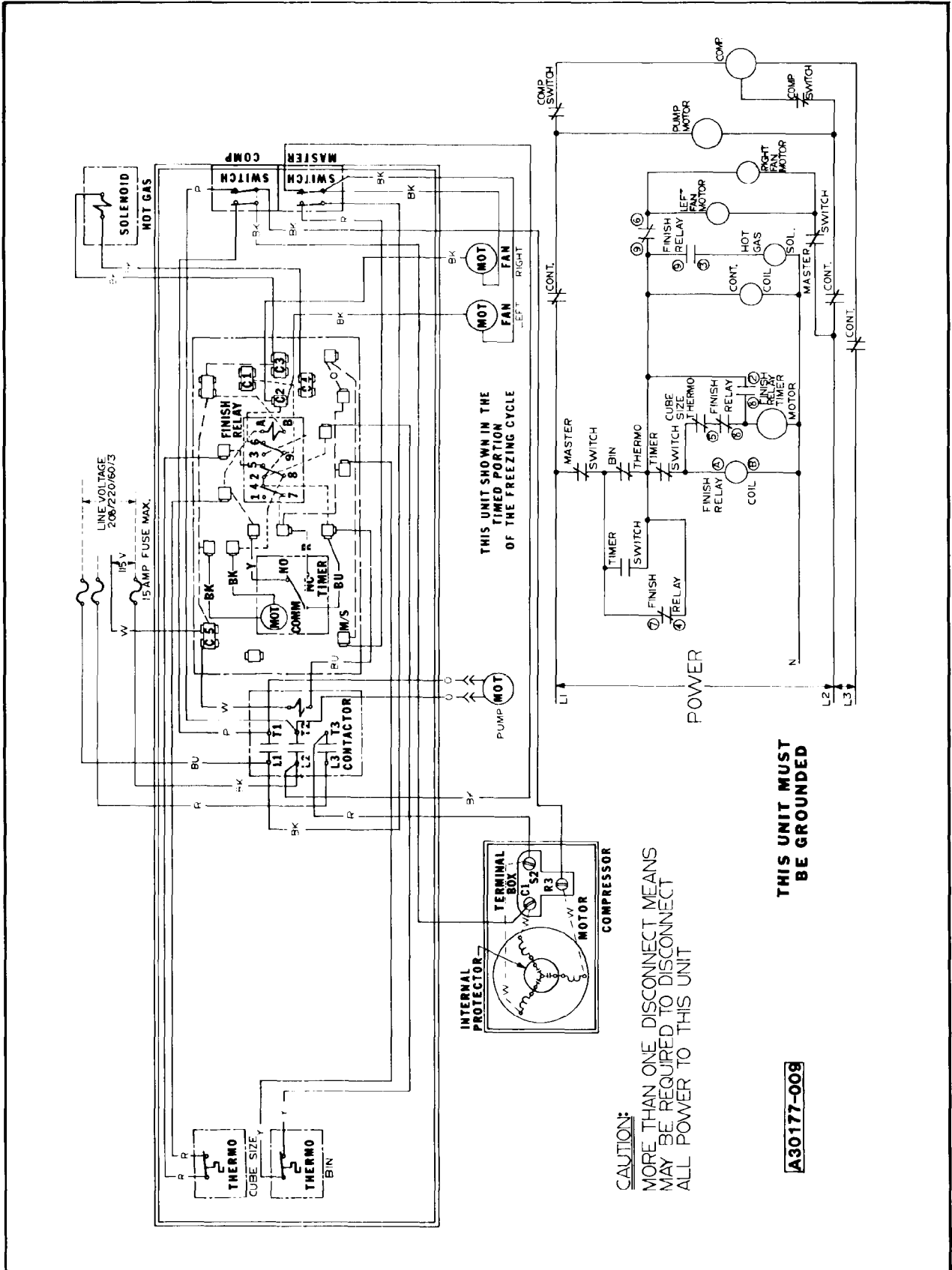
Figure 8-5. Control Box Assembly (Cont'd)

INDEX NO	DESCRIPTION	Air-Cooled: A/C Water-Cooled: W/C		PART NUMBER	PHASE	
		A/C	W/C		1 208 230 60	3 208 220 60
5	Relay * * *	X	X	12-1879-02	1	1
6	Timer & Switch Assembly attaching parts, Index 6	X	X	12-1979-01	1	1
	Stand-Off — 7/8-inch lg.	X	X	02-2242-01	2	2
	Screw, No. 6-32 x 1/4 Phil Recess Pan Hd * * *	X	X	03-1403-02	4	4
7	Board Assembly, Circuit attaching parts, Index 7	X	X	12-1912-01	1	1
	Stand-Off — 7/8-inch lg.	X	X	02-2242-01	5	5
	Screw, No. 6-32 x 1/4 Phil Recess Pan Hd * * *	X	X	03-1403-02	5	5
8	Contactors Contactors attaching part, Index 8	X	X	12-2037-01	1	—
	Screw, No. 8-32 x 3/8 Phil Recess Pan Hd * * *	X	X	12-0820-29	—	1
	Screw, No. 8-32 x 3/8 Phil Recess Pan Hd * * *	X	X	03-1403-17	2	2
9	Relay, Potential attaching part, Index 9	X	X	18-1903-34	1	—
	Screw, No. 6-32 x 3/8 Phil Recess Pan Hd	X	X	03-1403-04	1	—
	Nut, Speed — J-Type * * *	X	X	03-1423-01	1	—
10	Bushing, Snap * * *	X	X	12-1213-17	1	1
11	Control Pressure attaching part, Index 10	—	X	11-0388-02	1	1
	Screw, No. 6-32 x 3/8 Phil Recess Pan Hd * * *	—	X	03-1403-04	2	2
12	Thermostat, Bin	X	X	11-0419-01	1	1
13	Control, Cube Size attaching parts, Index 12 & 13	X	X	11-0351-02	1	1
	Screw, No. 8-32 x 3/16 Phil Recess Pan Hd * * *	X	X	03-1403-14	4	4
14	Meter, Hour attaching part, Index 14	X	X	12-2058-C1	1	1
	Lockwasher No. 4 (p/o Meter)	X	X	No Number	2	2

CM1200
SECTION VIII THE ILLUSTRATED PARTS LISTING
Figure 8-5. Control Box Assembly (Cont'd)

INDEX NO.	DESCRIPTION	Air-Cooled: A/C Water-Cooled: W/C		PART NUMBER	PHASE	
		A/C	W/C		1 208 330 60	3 208 220 60
	Screw, No. 4-40 x 3/8 (p/o Meter)	X	X	No Number	2	2
	Nut, No. 4-40 Hex (p/o Meter) * * *	X	X	No Number	2	2
15	Hinge * * *	X	X	03-2607-01	1	2
16	Cover, Control Box attaching parts, Index 15 & 16	X	X	A29307-001	1	1
	Screw, No. 4 x 3/8 T/F Tap * * *	X	X	03-1404-01	8	8

CM1200
SECTION VII WIRING DIAGRAMS



THIS UNIT SHOWN IN THE
TIMED PORTION
OF THE FREEZING CYCLE

CAUTION:
MORE THAN ONE DISCONNECT MEANS
MAY BE REQUIRED TO DISCONNECT
ALL POWER TO THIS UNIT

**THIS UNIT MUST
BE GROUNDED**

A30177-008

Figure 7-1. Wiring Diagram CM1200 — Air-Cooled (115/208-220/60/3).

CM1200
SECTION VII WIRING DIAGRAMS

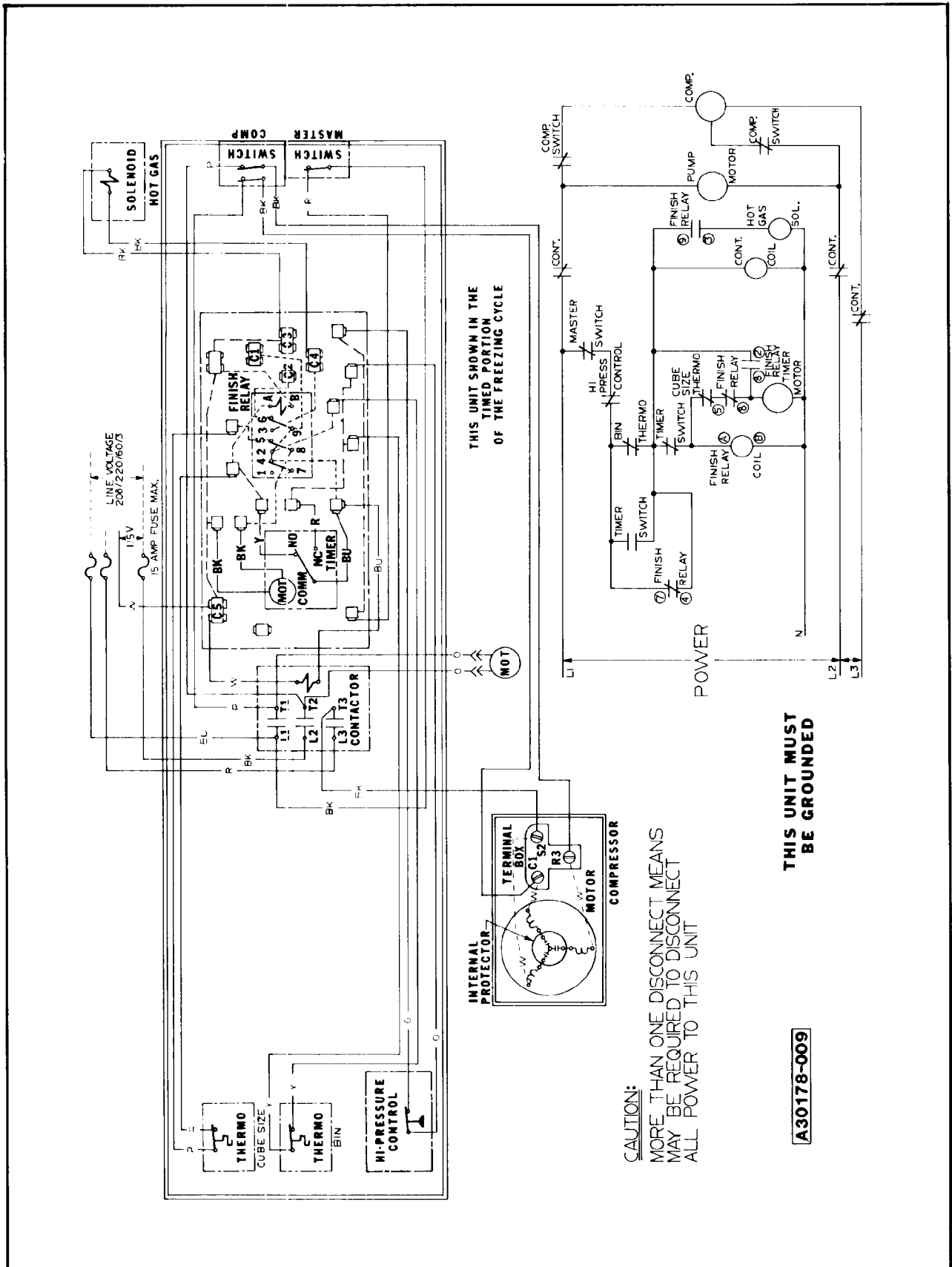


Figure 7-2. Wiring Diagram CM1200—Water-Cooled (115/208-220/60/3).

CM1200
SECTION VII WIRING DIAGRAMS

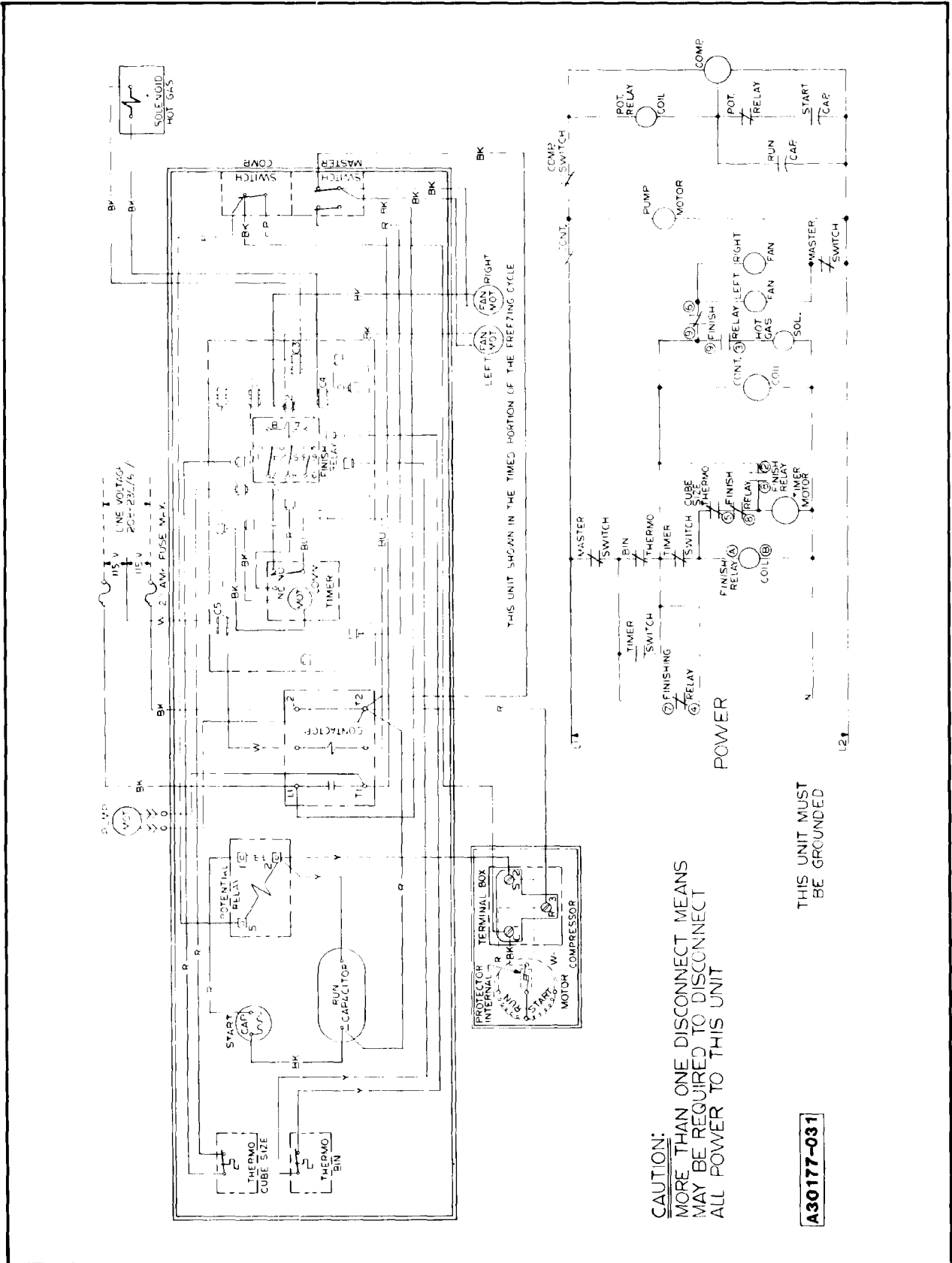


Figure 7-3. Wiring Diagram CM1200—Air-Cooled (115-208-230/60/1).

CM1200
SECTION VII WIRING DIAGRAMS

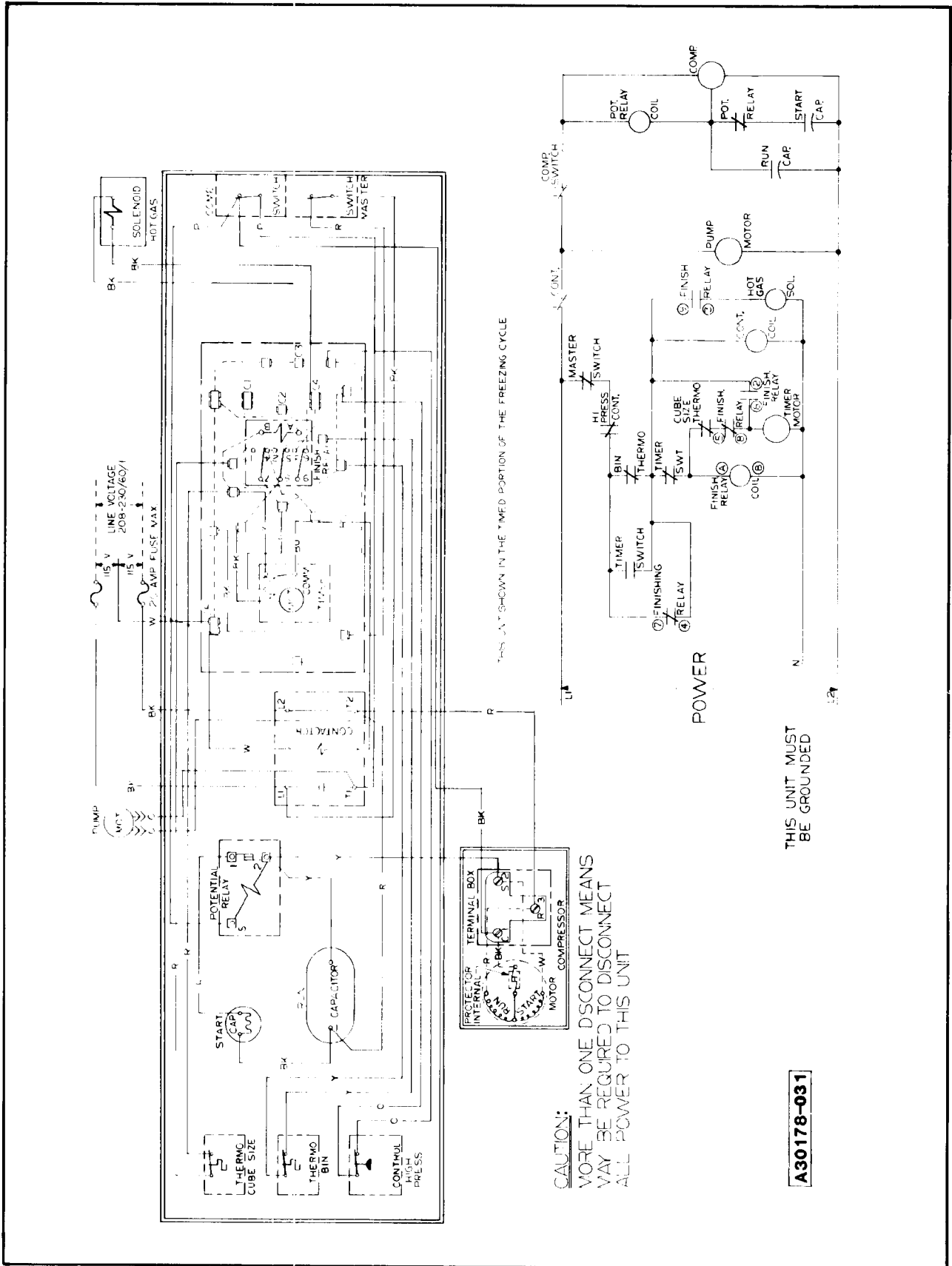


Figure 7-4. Wiring Diagram CM1200—Water-Cooled (115/208-230/60/1)