

C1448, C1848, C2148 Service Parts

This part list contains the service parts for the air cooled, water cooled and remote air cooled C1448, C1848, C2148 ice machines.

To avoid costly and time consuming errors, double check the model and voltage before ordering a part.

The above have been manufactured in several voltages, which are designated by a voltage code after the hyphen (-) in the model number. Codes used included:

- 32 = 208-230/60/1
- 3 = 208-230/60/3
- 6 = 230/50/1
- 63 = 30/380-420/50/3

There was also a panel change in late 2009, denoted by a B at the end of the model number.

D series models began late 2014 and E began late 2017

Note: These abbreviations are used in this list:

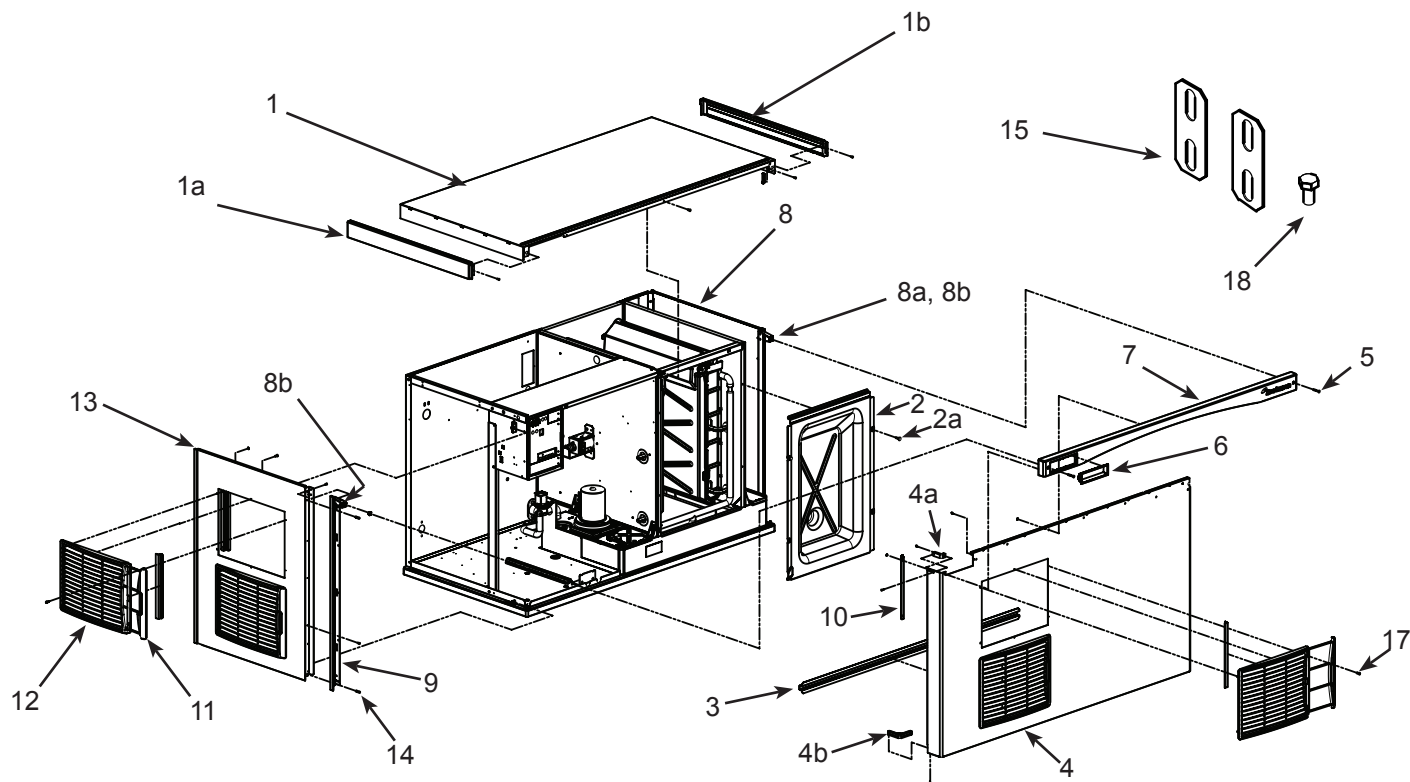
- AC = Air Cooled
- WC = Water Cooled
- RC = Remote Cooled
- HGV = Hot Gas Valve
- TXV = Thermostatic Expansion Valve
- Volt = Voltage
- Sol Vlv = Solenoid Valve
- Hdwe = Hardware

Contents

Cabinet - A Series	Page 2
Cabinet - B Series	Page 3
Cabinet - D and E Series	Page 4
Interior Parts	Page 5
Evaporator Compartment	Page 6
Air Cooled Refrigeration System	Page 7
Air Cooled Fan Area	Page 8
Water Cooled Refrigeration	Page 9
Remote Refrigeration System	Page 10
Electrical and Control Box, -3, -6, -32	Page 11
Electrical & Control Box, 400 volt, 50 Hz. 3 phase w/neutral (-63)	Page 12
Compressors	Page 13
Remote Condenser, ERC311 and ERC611	Page 14

C1448, C1848, C2148 Service Parts

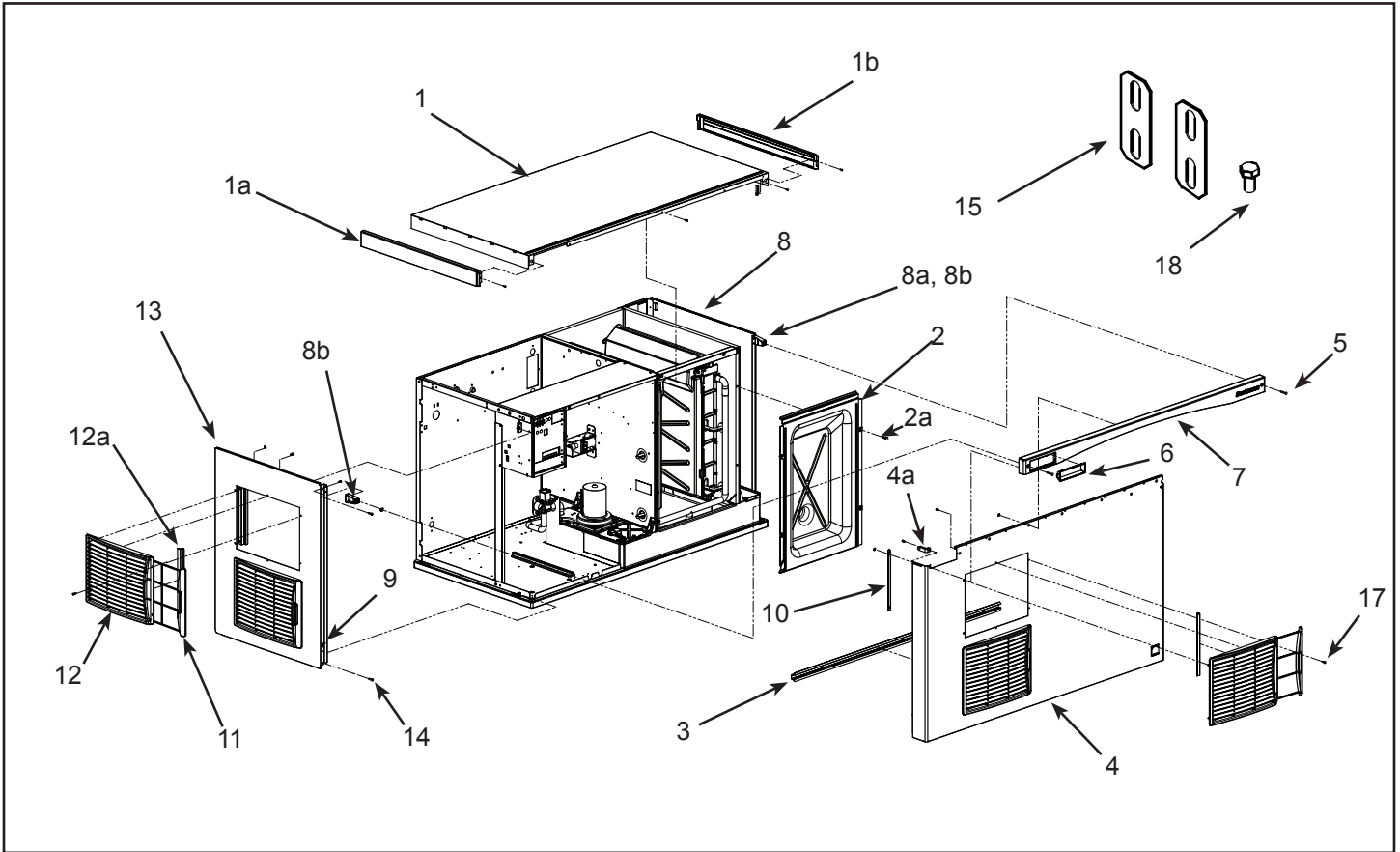
Cabinet - A Series



Item Number	Part Number	Description	Item Number	Part Number	Description
1	A38941-023	Top panel, w/trim strips	8	A38553-022	Right side panel assy
1a	02-4221-01	Left trim strip	8a	02-4215-01	Receptacle
1b	02-4221-02	Right trim strip	8b	03-3804-01	Screw receptacle
2	02-4184-01	Evaporator cover	9	02-4067-03	Side panel support. Fits water cooled and remote models. Used as back side panel support for air cooled.
2a	03-0727-05	Screw		02-4067-04	Front side panel support for air cooled models
3	A39045-001	Front panel stiffener	10	A39222-001	Filter guide
4	A38552-025	AC Front panel assembly, includes filters, trim strip, gussets and labels.	11	02-4212-01	Air filter
	A38552-024	WC, or RC front panel assembly, includes trim strip, gussets and labels	12	02-4224-01	Louver panel
4a	02-4216-01	Top gusset	12a	A39238-001	Louver bracket
4b	02-4217-01	Bottom gusset	13	A38551-023	Left side panel, AC
5	03-1735-03	Screw, front panel		A38551-024	Left side panel WC, RC
6	02-4284-01	Bezel, full window	14	03-1404-12	Screw
6a	02-4284-02	Bezel, partial window	15	A30911-015	Machine straps
7	02-4214-03	Trim strip	16	16-0355-00	Inlet water fitting, flare
			17	03-1419-17	Flat head screw
			18	03-1405-15	Screw

C1448, C1848, C2148 Service Parts

Cabinet - B Series



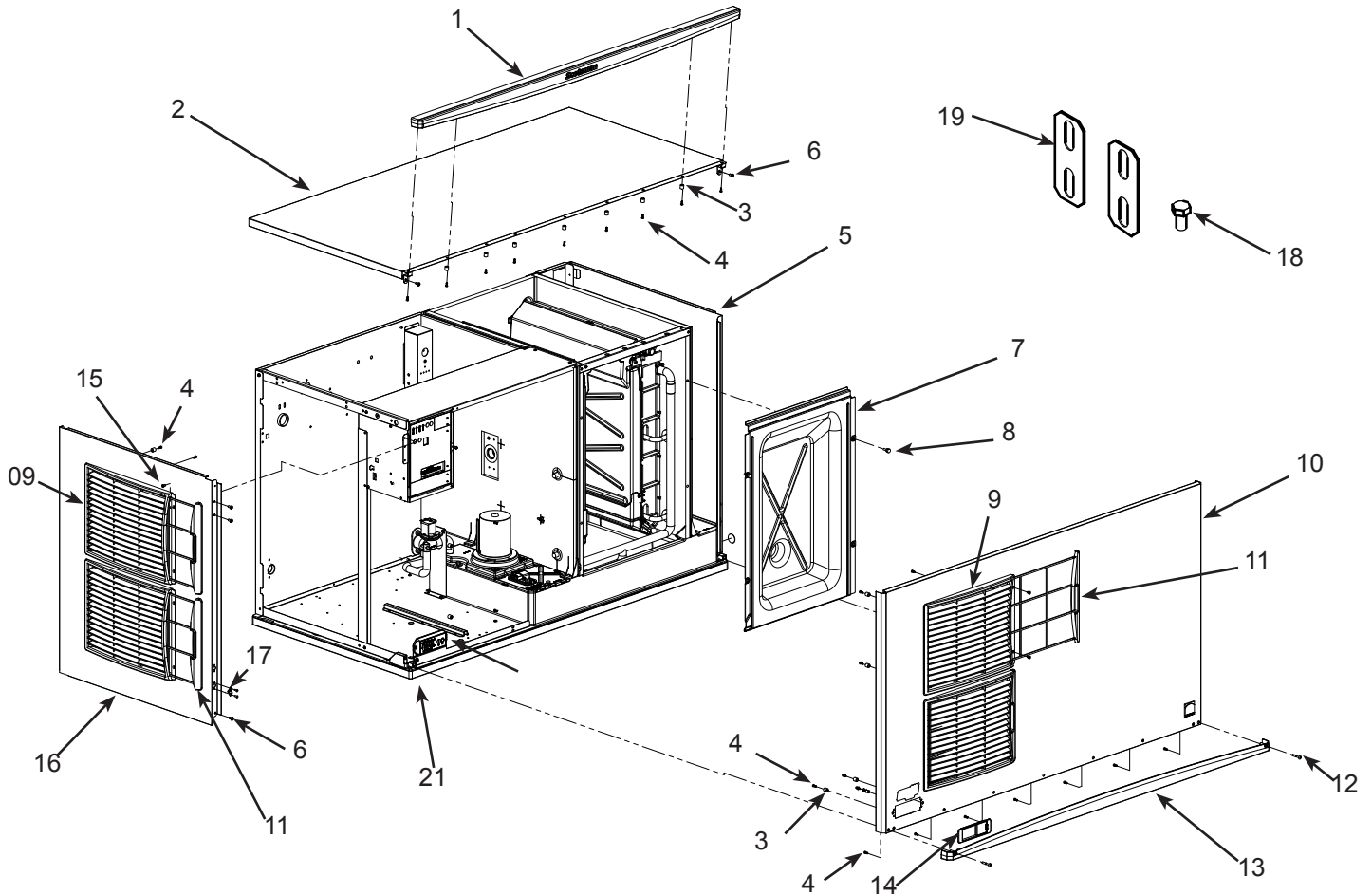
Item Number	Part Number	Description	Item Number	Part Number	Description
1	A39579-023	Top panel	8b	03-3804-01	Screw receptacle
1a	02-4221-01	Left trim strip*	9	A39571-001	Panel clip
1b	02-4221-02	Right trim strip*	10	A39238-001	Filter guide
2	02-4184-01	Evaporator cover	11	02-4212-01	Air filter
2a	03-0727-05	Screw	12	02-4224-01	Louver panel
3	A39045-001	Front panel stiffener	12a	A39238-001	Louver bracket
4	A39578-025	AC Front panel assembly, includes filters, trim strip	13	A39580-026	Left side panel, AC
4a	02-4216-01	Top gusset		A39580-024	Left side panel, WC, RC
5	03-1735-03	Screw, front panel	14	03-1404-12	Screw
6	02-4284-01	Bezel, full window	15	A30911-015	Machine straps
6a	02-4284-02	Bezel, partial window**	16	16-0355-00	Inlet water fitting, flare**
7	02-4214-03	Trim strip	17	03-1419-17	Flat head screw
8	A39581-022	Right side panel assy	18	03-1405-15	Screw
8a	02-4215-01	Receptacle			

* Side trim strips discontinued mid 2011

** Bezel and fitting discontinued 2/8/2012.

C1448, C1848, C2148 Service Parts

Cabinet - D and E Series

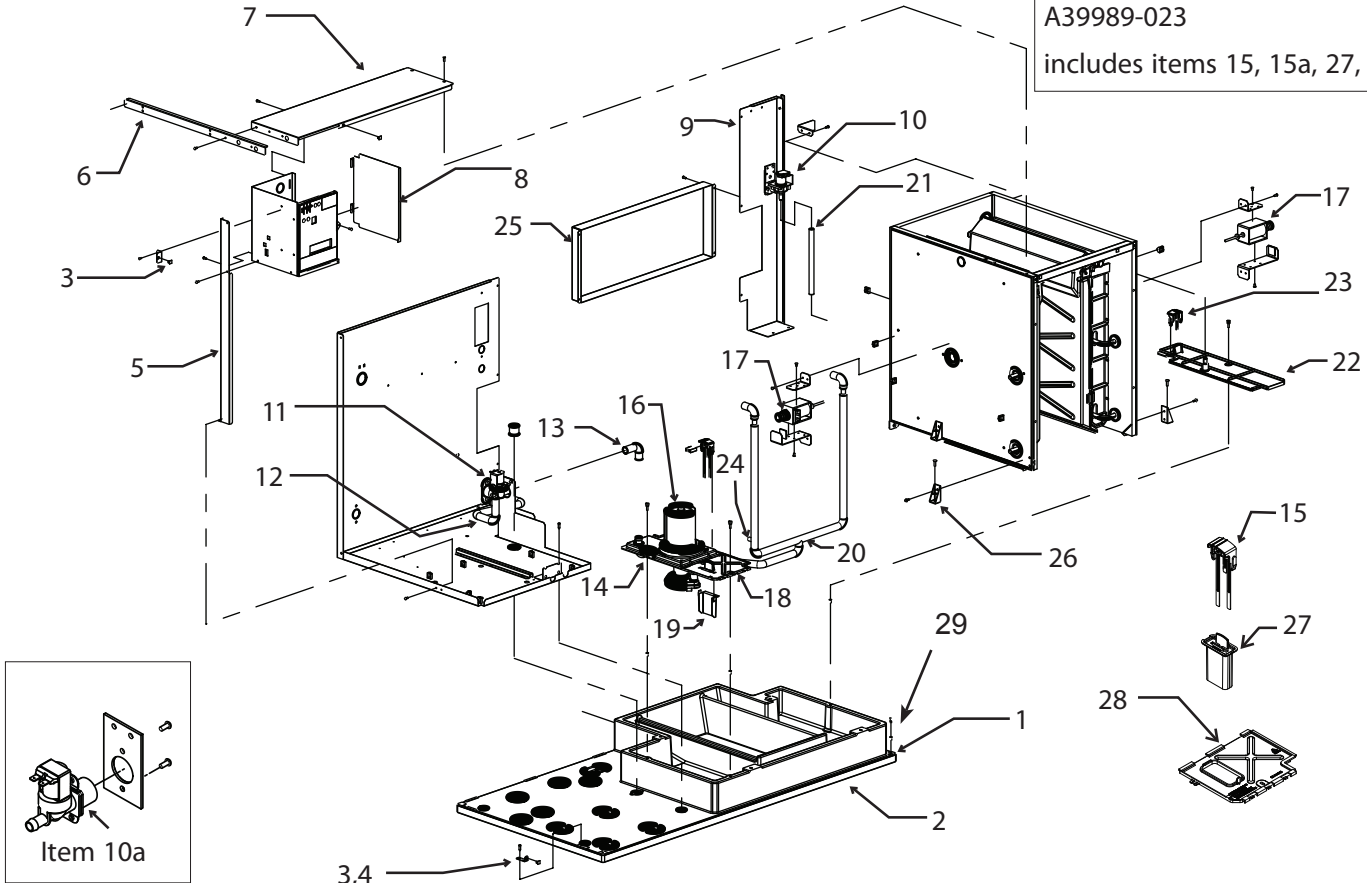


Item Number	Part Number	Description
1	02-4819-03	Trim strip
2	A40309-023	Top panel
3	02-4824-01	Spacer
4	03-3836-02	Screw
5	A40311-022	Right side panel
6	03-1404-10	Screw
7	02-4184-01	Inner front panel
8	03-0727-05	Thumbscrew
9	02-4224-03	Louvers
10	A40308-030	AC Front panel assembly, includes filters, trim strip, gussets and labels.
	A40308-031	WC, or RC front panel assembly, includes trim strip, gussets and labels
11	02-4212-03	Filters
12	03-1735-03	Screw
13	02-4820-03	Trim strip bottom
14	02-4821-02	Bezel with standard door
14a	02-4822-02	Bezel with secure door
15	03-1419-26	Screw
16	A40310-028	Left side panel, AC
	A40310-022	Left side panel WC, RC
17	03-1733-04	Ball stud Receptacle
18	03-1405-15	Screw
19	A30911-015	Machine straps
20	11-0622-21	Light & switch panel D series
21		See page 5 items 29,29a &29b

C1448, C1848, C2148 Service Parts

Interior Parts

WLS guard kit, Part Number
A39989-023
includes items 15, 15a, 27, 28

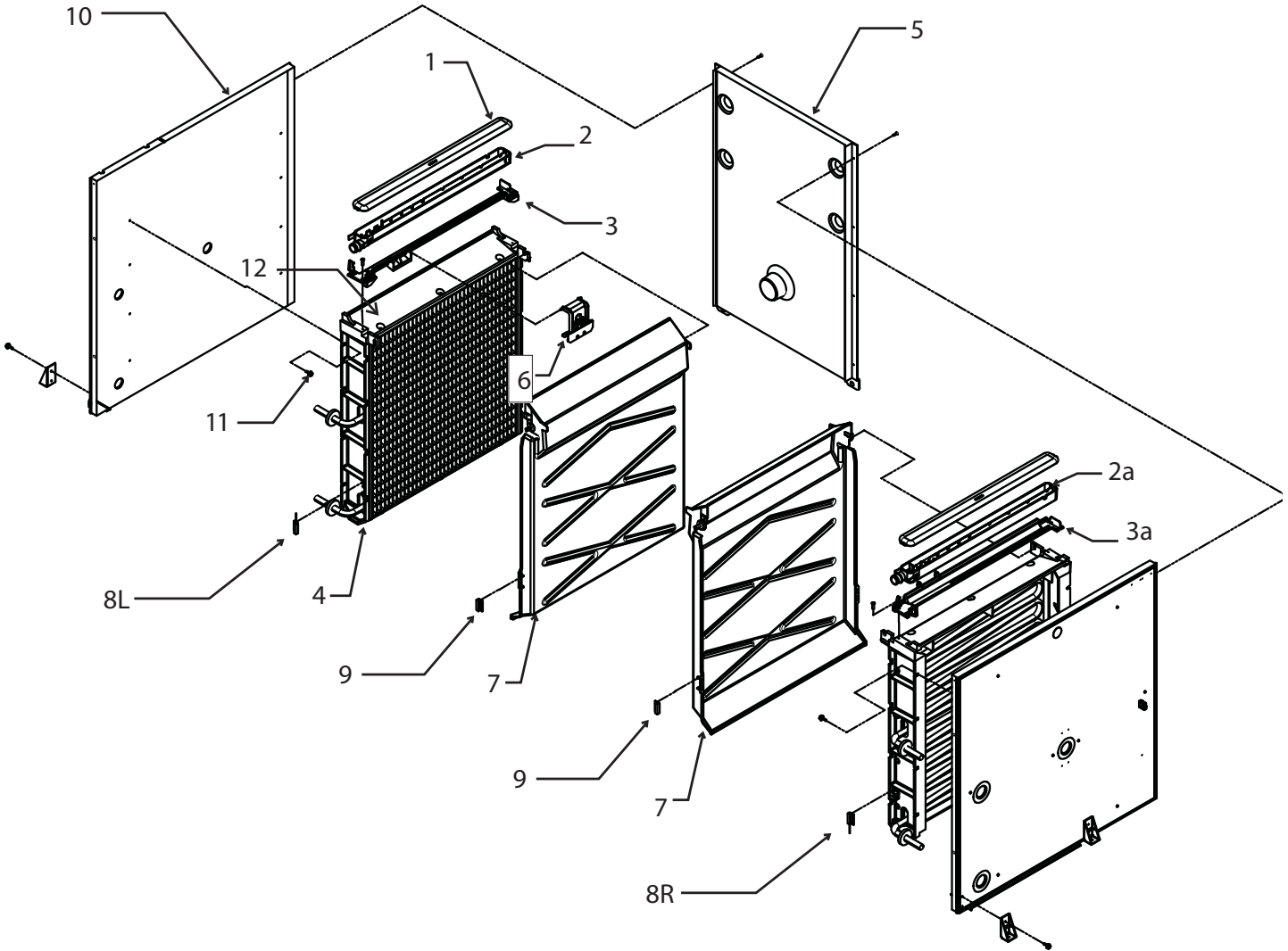


Item Number	Part Number	Description	Item Number	Description
1	15-0411-00	Strike - A series only	15a	WLS harness, see page 10
2	no number	Base, insulated	16	12-2920-22 Water pump - 60 Hz
3	03-3804-01	Receptacle		12-2920-26 Water pump - 50 Hz
4	A38732-001	Side panel mount	17	12-3060-22 Harvest assist solenoid
5	A38629-001	Strut	18	02-4178-01 Reservoir cover (prior)
6	A38582-001	Brace	19	02-4332-01 Sensor cover (prior)
7	A39281-001	Control box top	20	02-4182-01 Pump hose
8	A38537-001	Control box side	21	13-0674-02 Fill hose order by ft (18")
9	A38680-001	Right back panel		15-0821-01 Fill hose, -6 CE models
10	12-2922-02	Inlet water sol vlv, 230 volt	22	02-4175-01 Rt side res cover
	12-2912-01	Water valve rebuild kit	23	A39030-022 Level sensor, discontinued
10a	11-0568-02	Inlet water sol vlv, CE mod	24	11-0572-21 Temp probe assy
11	11-0564-02	Purge valve, 230 volt	25	A38681-001 Chase cover
12	A38862-002	Drain tube	26	02-4152-01 Gusset
13	A38862-001	Drain hose	27	02-4646-01 WLS guard, use/w item 28
14	02-4177-01	Water pump bracket	28	02-4649-01 Sump cover, use/w item 27
15	A39030-021	Water level sensor	29	02-4823-21 *Panel mount kit, left
			29a	02-4823-22 *Panel mount kit, right

*Includes both screw receptacles

C1448, C1848, C2148 Service Parts

Evaporator Compartment



Item Number	Part Number	Description	Item Number	Part Number	Description
1	02-4065-01	Water distributor cover	6	A39031-021	Ice thickness sensor
2	02-4064-01	Water distributor, left	7	02-4611-21	Curtain
2a	02-4064-02	Water distributor, right	8L	11-0563-06	Curtain switch, left
3	02-4205-01	Mounting bracket, left	8R	11-0563-03	Curtain switch, right
3a	02-4205-02	Mounting bracket, right	9	11-0563-02	Curtain switch magnet*
4	see table	Evaporator	10	13-0943-01	Gasket tape
			11	03-3868-01	Screw
			12	02-4156-21	Spillway replacement kit

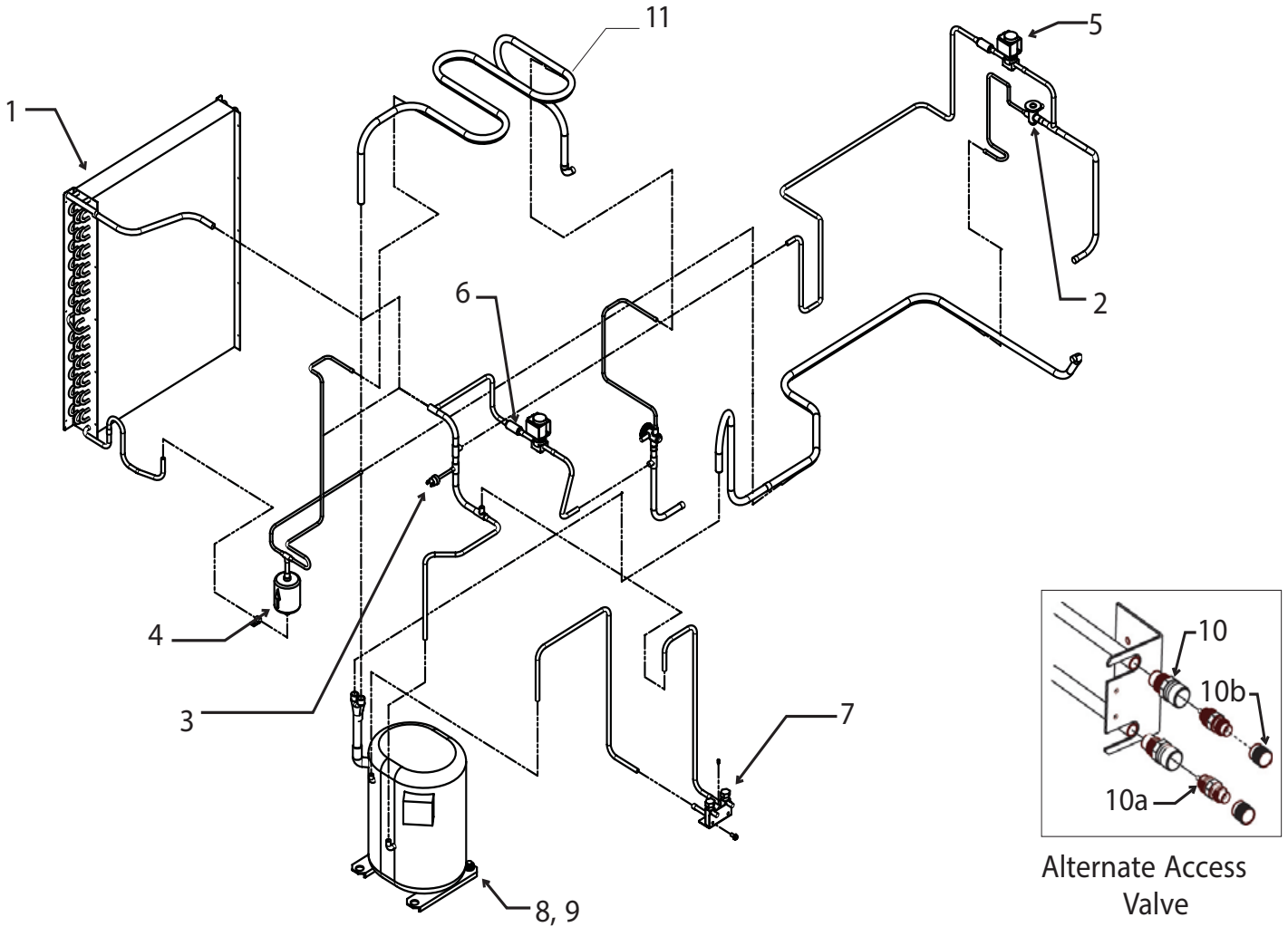
	small cube	medium cube
Right	A38628-023	A38628-024
Left	A38628-021	A38628-022

5 A38677-001 Back wall

* Magnet included in replacement curtain 02-4611-21

C1448, C1848, C2148 Service Parts

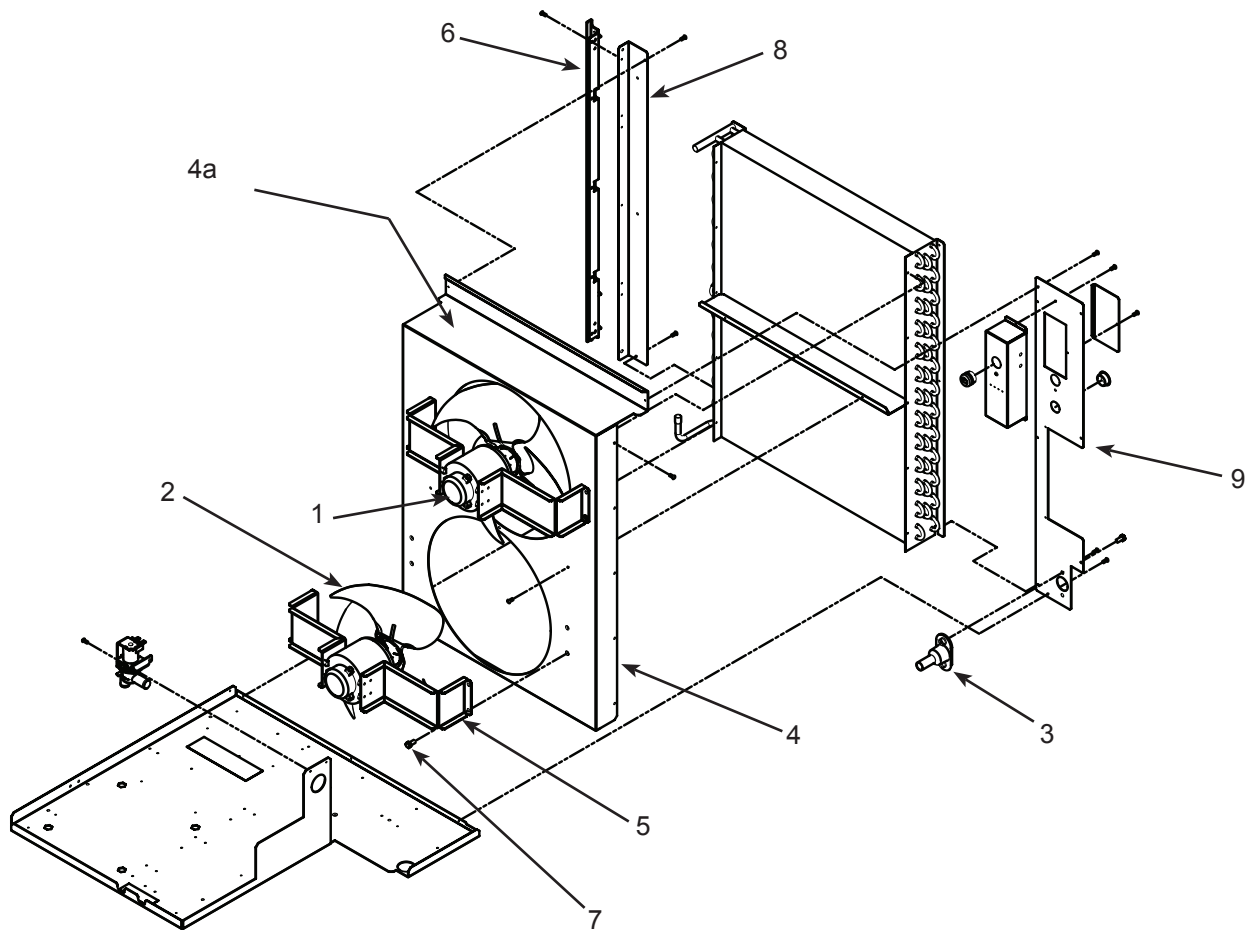
Air Cooled Refrigeration System



Item Number	Part Number	Description	Alternate Access Valve, use began 4/08		
1	18-8892-01	Condenser, AC	10	16-1137-01	Valve body
2	16-1130-01	TXV	10a	16-1139-01	Core
	19-0599-06	Insulation Danfoss TXV	10b	16-1140-01	Cap
3	11-0566-22	Fan cycle pressure sw.	11	A38736-001	Left suction line heat ex
4	02-3319-02	Dryer			
5	11-0493-01	Hot gas valve, 230 volt			
	12-2719-22	230 volt coil			
	12-2733-30	HGV rebuild kit			
6	16-1063-01	Strainer			
7	16-0832-20	Access valve			
	16-0832-03	Port cap			
	16-0832-02	Stem cap			
8	see page 10	Compressors			
9	see page 10	Compressor mounting hdw			

C1448, C1848, C2148 Service Parts

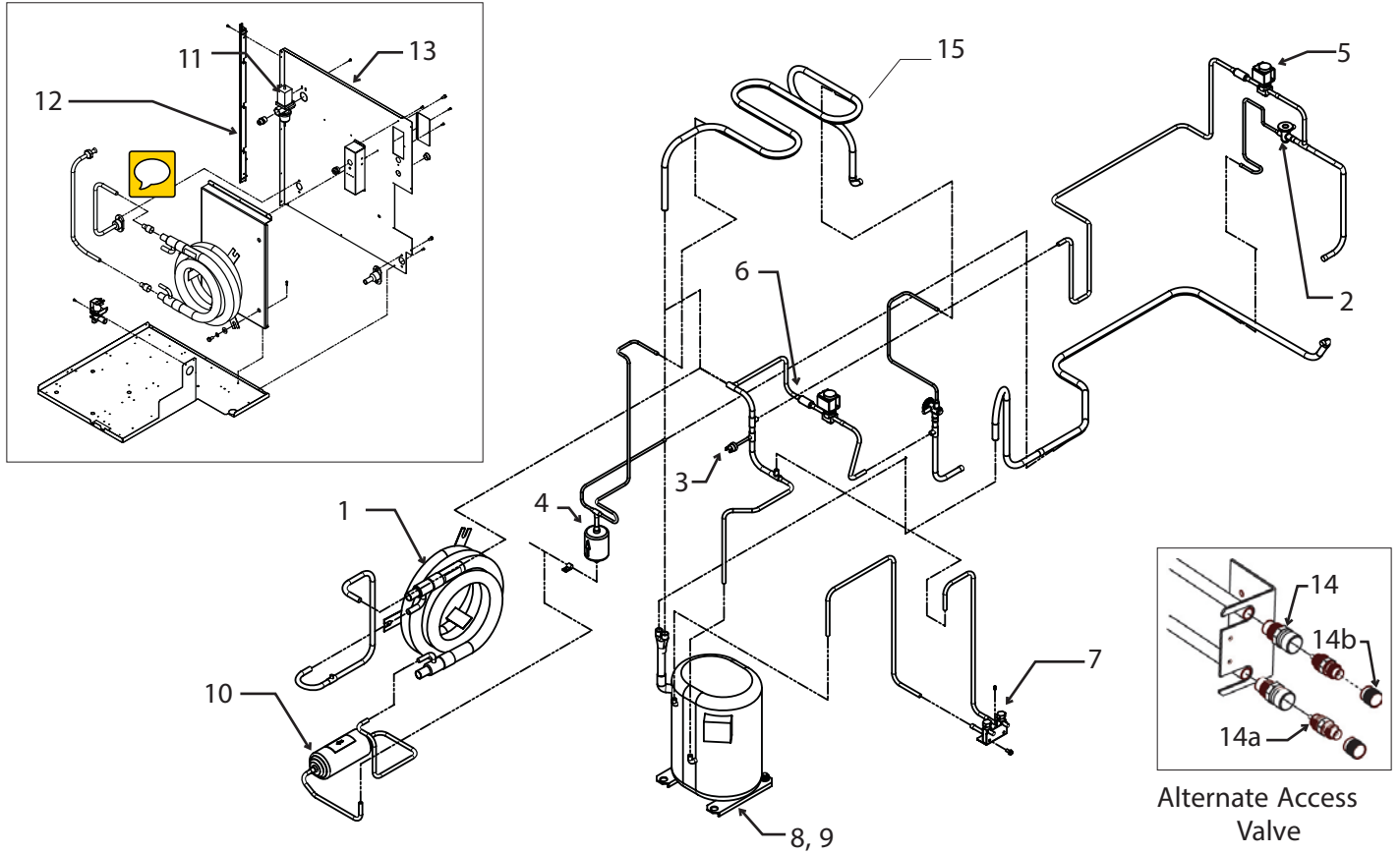
Air Cooled Fan Area



Item Number	Part Number	Description
1	18-8927-01	Fan motor All but C1848 E
1a	18-8927-02	C1848 E Fan motor
2	18-8882-01	Fan blade
3	02-3692-21	Drain adapter - also for WC and RC
4	A38682-001	Fan shroud - A Series
	A39630-001	Fan shroud - B- E Series
4a	A39631-001	Fan shroud top - B - E series only
5	A38554-001	Fan motor bracket
6	02-4067-04	Side panel support - AC
7	03-1645-01	Screw
8	A38741-001	AC bracket - A Series
	A39590-001	AC bracket - B and E Series
9	A38797-001	Back panel, AC only

C1448, C1848, C2148 Service Parts

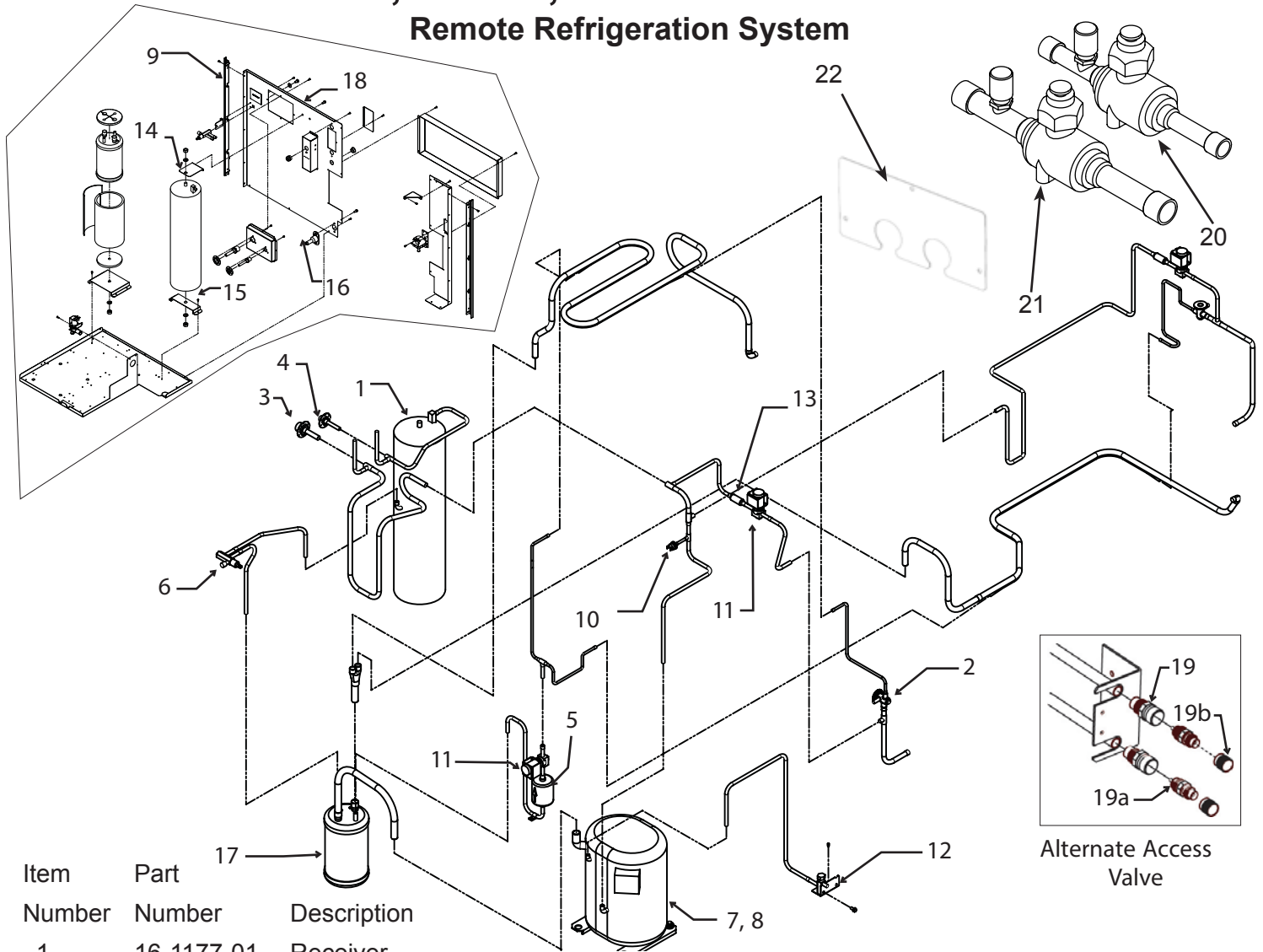
Water Cooled Refrigeration



Item Number	Part Number	Description
1	18-8865-01	Condenser, WC C1448. C1848
	18-8931-21	Condenser, WC C2148
2	16-1130-01	TXV
	19-0599-06	Insulation for TXV
3	11-0501-21	High pressure sw.
4	02-3319-02	Dryer
5	11-0493-01	Hot gas valve, 230 volt
	12-2719-22	230 volt coil
	12-2733-30	HGV rebuild kit
6	16-1063-01	Strainer
7	16-1137-01	Valve body
7a	16-1139-01	Core
7b	16-1140-01	Cap
8	see page 10	Compressors
9	see page 10	Compressor mounting hdw
10	02-2628-02	Receiver
11	11-0608-21	Water regulating valve, C1448W, C1848W
	11-0478-02	Water regulating valve C2148W
12	02-4067-03	Side support
13	A38606-001	Back panel, WC - A series
	A39574-001	Back panel, WC - B - D series
	A40629-001	Back panel, WC - E series
	A40654-001	Back cover, WC - E series
	Prior Access Valve, up to 4/08	
	16-0832-20	Access valve
	16-0832-03	Port cap
	16-0832-02	Stem cap
15	A38736-001	Left suction line heat ex

C1448, C1848, C2148 Service Parts

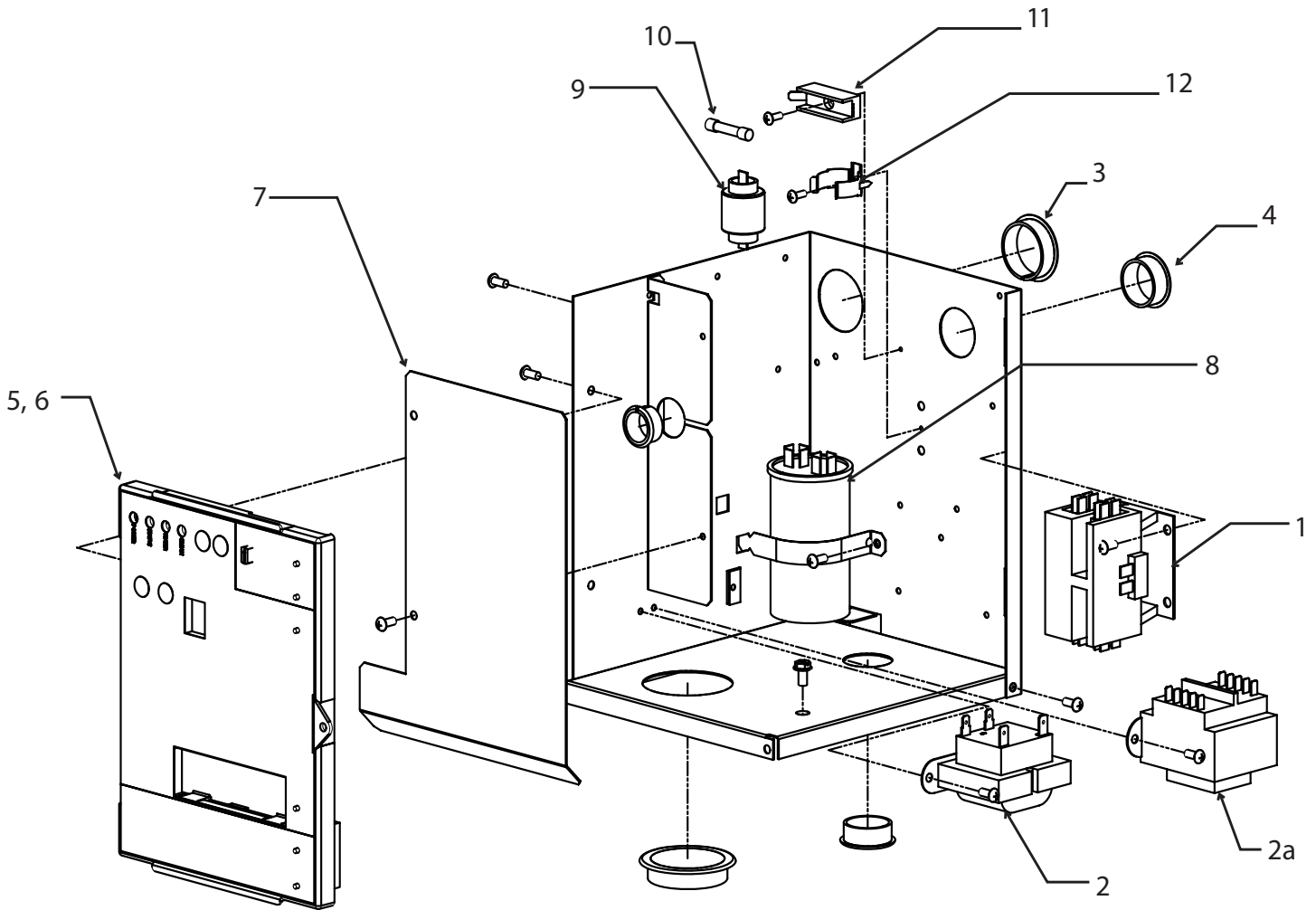
Remote Refrigeration System



Item Number	Part Number	Description
1	16-1177-01	Receiver
2	16-1130-01	TXV
	19-0599-06	insulation Danfoss TXV
3	16-0850-01	Discharge quick connect
4	16-0850-03	Liquid quick connect
5	02-3319-02	Drier
6	16-1030-01	Liquid line access valve
7	see page 10	Compressors
8	see page 10	Compressor mounting hdw
8a	see page 10	Crankcase heater
9	02-4067-03	Side panel support,
10	11-0501-22	High pressure cut out
11	11-0493-01	Liquid line valve or HGV, 230 v
12	16-1137-01	Valve body
	16-1139-01	Core
	16-1140-01	Cap
13	16-1063-01	Strainer
14	A37211-001	Top receiver bracket
15	A37212-001	Bottom receiver bracket
16	02-3692-21	Drain adapter
17	16-1122-21	Accumulator, kit w/insul
18	A38679-001	Back panel, rem - A series
	A39574-001	Back panel, rem - B series
	A40629-001	Back panel, rem - E series
		*Prior Access Valve, up to 4/08
19*	16-0832-20	Access valve
19a*	16-0832-03	Port cap
19b*	16-0832-02	Stem cap
20	16-1208-01	3/8 Isolation valve - E series
21	16-1208-02	1/2 Isolation valve - E series
21a	A40507-001	Isolation valve bracket - E series
22	A40508-001	Fittings cover rem - E series

C1448, C1848, C2148 Service Parts

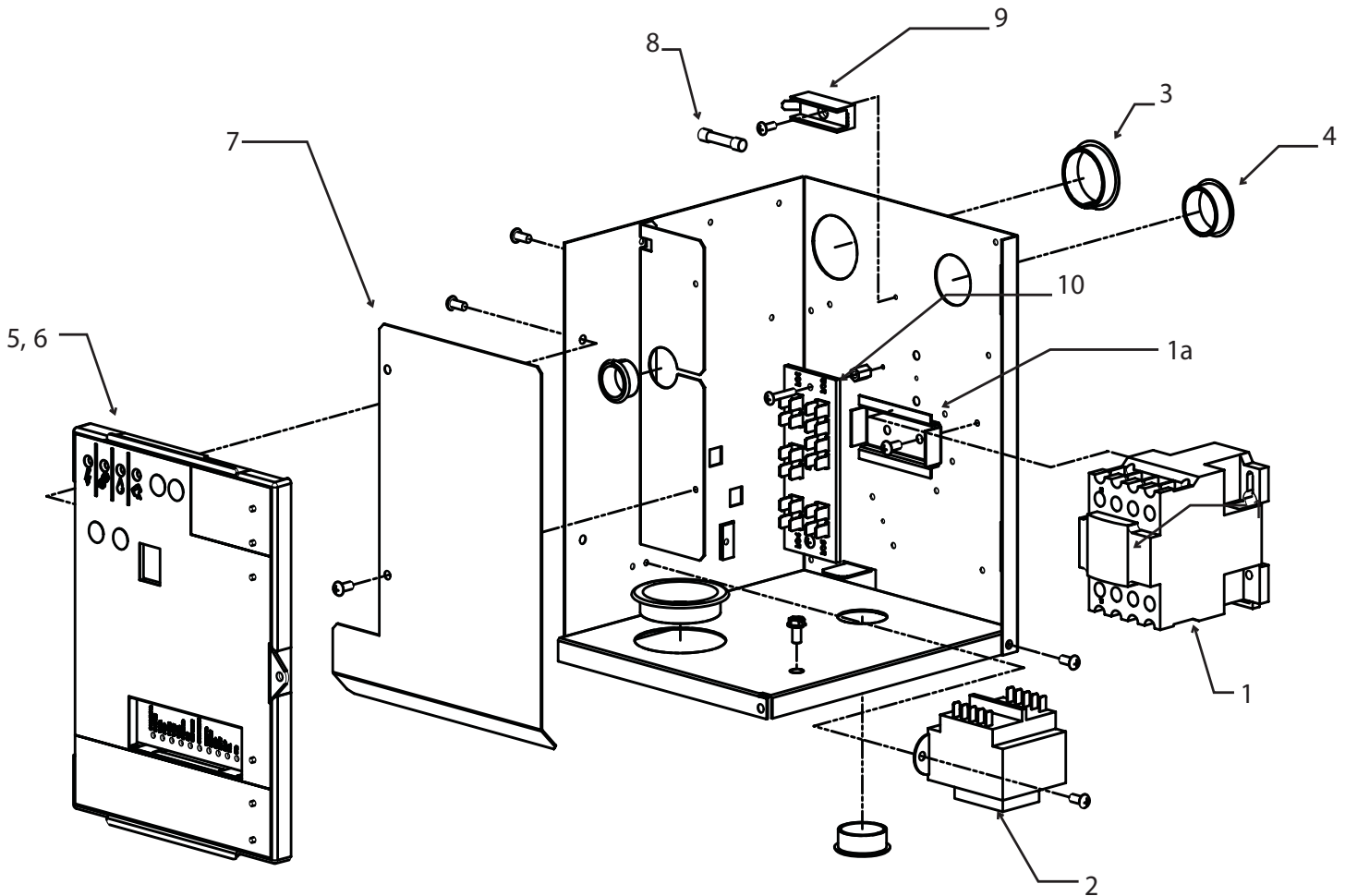
Electrical and Control Box, -3, -6, -32



Item Number	Part Number	Description	Item Number	Part Number	Description
			10	12-2686-01	Fuse, 50 Hz only
			11	12-2687-01	Fuse holder
1	12-2469-02	Contactor, 230, single ph	12	18-8840-02	Bracket
	12-2533-02	Contactor, three phase	Wiring Harnesses (not illustrated)		
2	12-2924-02	Transformer, 230 volt	13	12-2931-01	Power harness, A & W
2a	12-2639-01	Transformer, 50 Hz		12-2931-02	Power harness, Remote
3	12-1213-11	Snap bushing	Power harness connects to J1 on controller		
4	12-1213-15	Snap bushing	14	12-2937-01	Hi voltage harness, A & W
5	11-0621-21	Service controller, fits all		12-2938-01	Hi voltage harness, Rem
Prodigy cubers				12-2944-01	Hi voltage, 50 Hz A & W
6	02-4076-01	Control box door		12-2944-02	Hi voltage, 50 Hz, Rem
	02-4189-01	Overlay label	Hi voltage harness has the 8 pin connector		
7	A39216-001	Barrier	15	12-2928-01	Water level sensor harness
8	see next page	Run capacitor	for one 3 probe sensor. Second sensor discontinued.		
9	see next page	PTCR -	16	11-0622-21	Light & switch panel D,E series

C1448, C1848, C2148 Service Parts

Electrical & Control Box, 400 volt, 50 Hz. 3 phase w/neutral (-63)



Item Number	Part Number	Description
1	12-3010-03	Contactor, 400 v 3 ph.
1a	A39511-001	Bracket
2	12-2639-01	Transformer, 50 Hz
3	12-1213-11	Snap bushing
4	12-1213-15	Snap bushing
5	11-0621-21	Service controller, fits all Prodigy cubers
6	02-4076-01	Control box door
	02-4189-01	Overlay label
7	A39216-001	Barrier
8	12-2686-01	Fuse, 50 Hz only
9	12-2687-01	Fuse holder
10	A25981-001	Terminal board

Wiring Harnesses (not illustrated)		
11	12-3066-02	Hi voltage, 50 Hz, Rem (with cap) Hi voltage harness has the 8 pin connector
12	12-2928-02	Water level sensor harness
13	11-0622-21	Light & switch panel D, E series

C1448, C1848, C2148 Service Parts

Compressors

Model	Electrical	Compressor	Run Capacitor	PTCR
C1448-32	208-230/60/1	18-8749-22	18-1902-70	18-8840-01
C1448-6	230/50	18-8749-27	18-1902-70	18-8840-01
C1448-3	208-230/60/3	18-8749-24	-	-
C1848-32 A-D series	208-230/60/1	18-8751-23	18-1902-71	18-8840-01
C1848-32 E series	208-230/60/1	18-8750-22	18-1902-70	18-8840-01
C1448-63	230/380-420/50/3	18-8749-11	-	-
C1848-6	230/50	18-8751-27	18-1902-71	18-8840-01
C1848-3	208-230/60/3	18-8751-25	-	-
C2148-32 - WC	208-230/60/1	18-8930-24	18-1902-27	18-8840-01
C2148-6 - WC	230/50	18-8930-26	18-1902-59	18-8840-01
C2148-3 - WC	208-230/60/3	18-8930-25	-	-
C2148-32 - RC	208-230/60/1	18-8923-22	18-1902-27	18-8840-01
C2148-6 - RC	230/50	18-8923-26	18-1902-59	18-8840-01
C2148-3 - RC	208-230/60/3	18-8923-23	-	-

Model	Bolt	Washer	Grommet	Sleeve
C1448, C1848	03-1420-20	03-1407-07	18-2300-27	18-2300-26
C2148	03-1405-20	03-1407-07	18-2300-27	18-2300-26

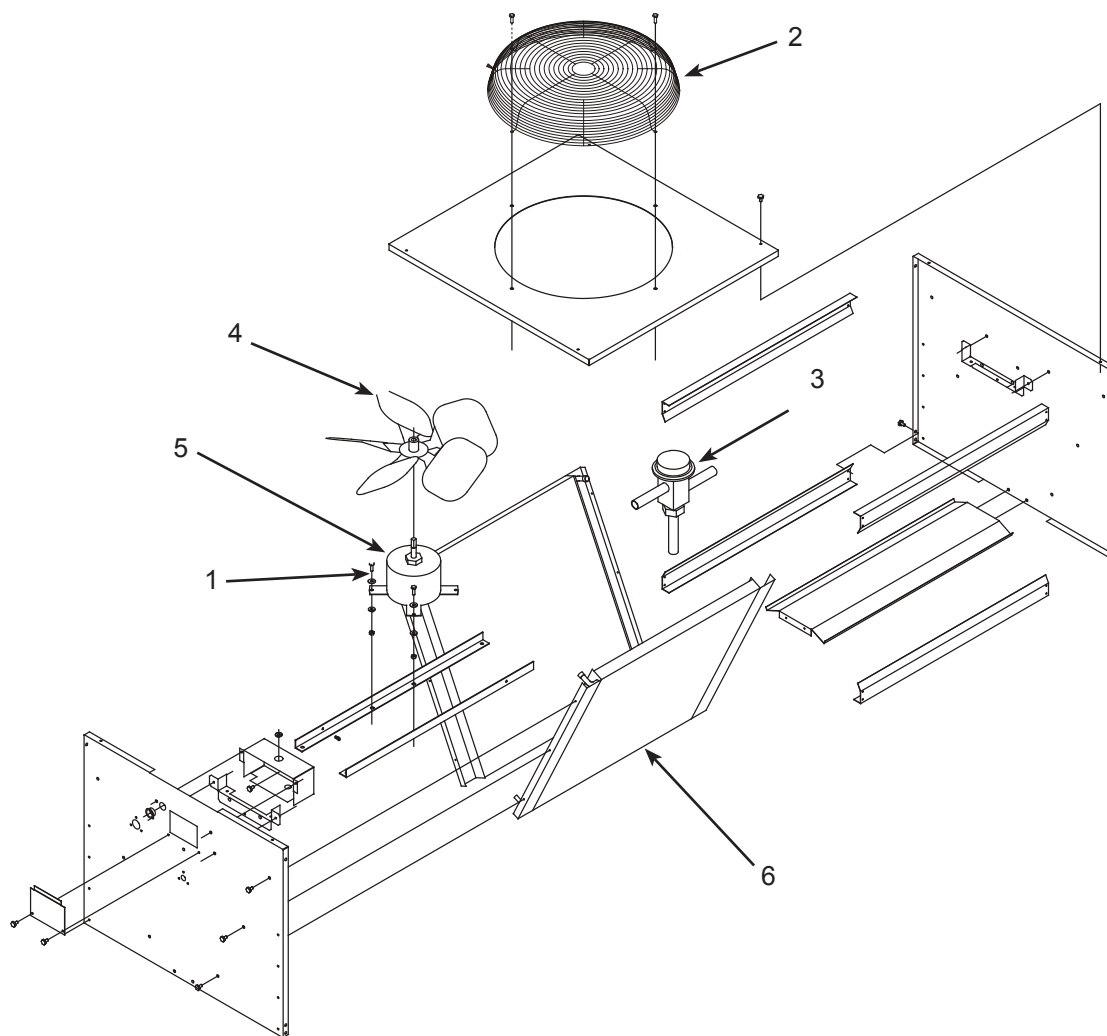
Model	Internal crankcase heater*	External crankcase heater*
C1448R, C1848R, C2148R	18-2308-01	12-3043-03

* Included with replacement compressor

Compressor shells changed early 2012, crankcase heaters are external after the change. Suction and discharge diameters also changed. Replacement compressors supplied with necessary fittings.

C1448, C1848, C2148 Service Parts

Remote Condenser, ERC311 and ERC611



Item Number	Part Number	Description	Not Shown:	
1	03-1405-08	Screw	A37169-001	Leg
2	02-3575-01	Fan guard	A37170-001	Leg brace - ECR311
3	11-0422-22	Headmaster	A37296-001	Leg brace - ERC611
4	18-8816-01	Fan blade - ERC311	03-1645-01	Screw for legs
	18-8820-01	Fan blade - ERC611	16-0850-01	Quick connect, discharge
5	12-2651-01	Fan motor - ERC311	16-0850-03	Quick connect, liquid
	12-2717-01	Fan motor - ERC611	16-1100-08	Quick connect w/ stub for 3/8 inch line set tube
6	18-8827-01	Coil, ERC311	16-1100-09	Quick connect w/ stub for 1/2 inch line set tube
	18-8819-01	Coil, ERC611		

Used on A-D