

C0322, C0522 and C0722 Service Parts

This part list contains the service parts for the air cooled, water cooled and remote air cooled C0322, C0522 ice machines.

There was a change to panels in late 2009. Those are designated as B series units.

C0722 was added to the line in early 2013.

To avoid costly and time consuming errors, double check the model and voltage before ordering a part.

Prodigy Plus D Series models were added in late 2014. Prodigy Plus E Series models were added in late 2016.

Note: These abbreviations are used in this list:

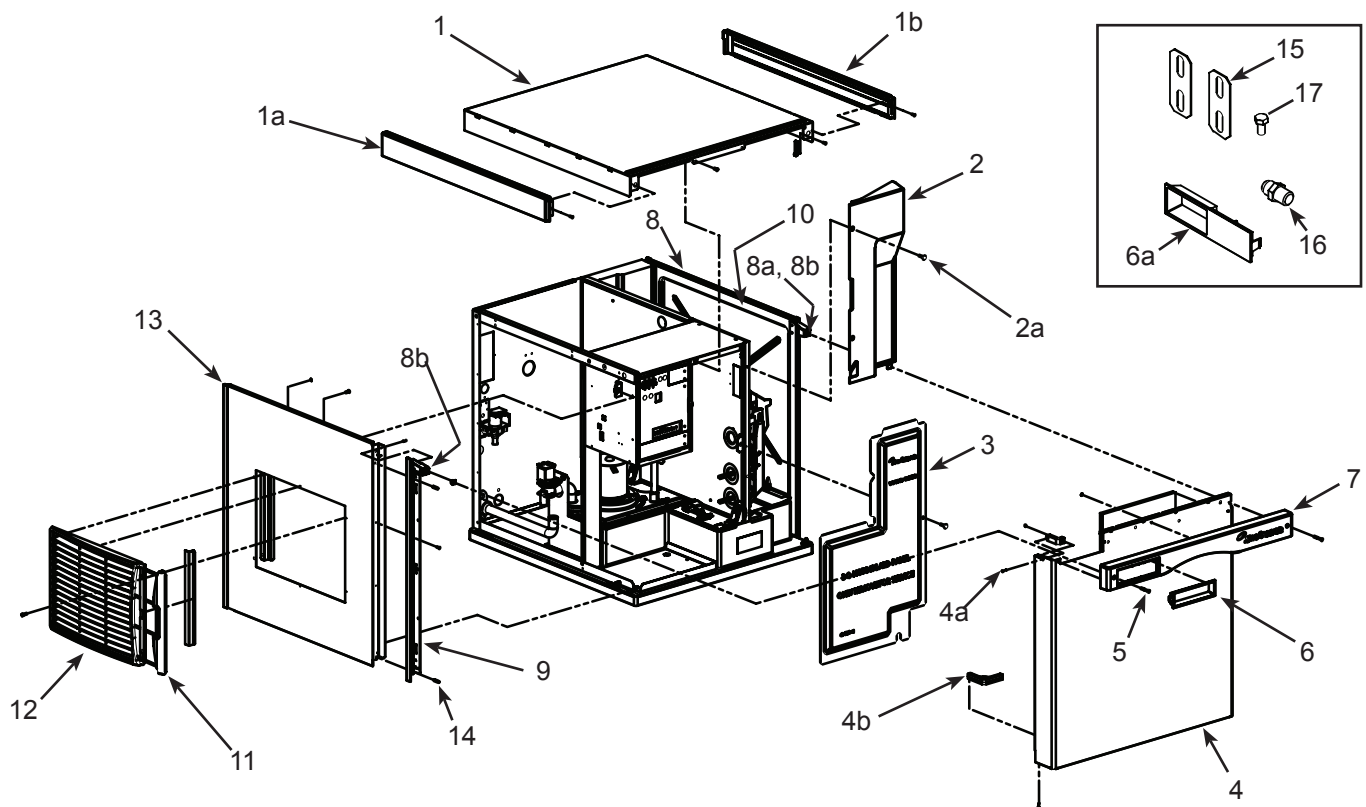
- AC = Air Cooled
- WC = Water Cooled
- RC = Remote Cooled
- HGVS = Hot Gas Valve
- TXV = Thermostatic Expansion Valve
- Volt = Voltage
- Sol Vlv = Solenoid Valve
- Hdwe = Hardware

Contents

Cabinet - C0322 and C0522 A Series.	Page 2
Cabinet - B Series C0322 and C0522	Page 3
Cabinet - C0722 B Series.. . . .	Page 4
Cabinet - D and E Series C0322 and C0522.	Page 5
Cabinet - C0722 D and E Series.	Page 6
Interior Parts.	Page 7
Evaporator Compartment - C0322 or C0522.	Page 8
Evaporator Compartment - C0722	Page 9
Air or Water Cooled Refrigeration	Page 10
Fan and Condenser Area - C0322	Page 11
Fan and Condenser Area - C0522 or C0722.	Page 12
C0522 Remote Refrigeration	Page 13
Control Box and Other Electrical	Page 14
Compressors and Compressor Electrical	Page 15
Remote Condenser	Page 16

C0322, C0522 and C0722 Service Parts

Cabinet - C0322 and C0522 A Series

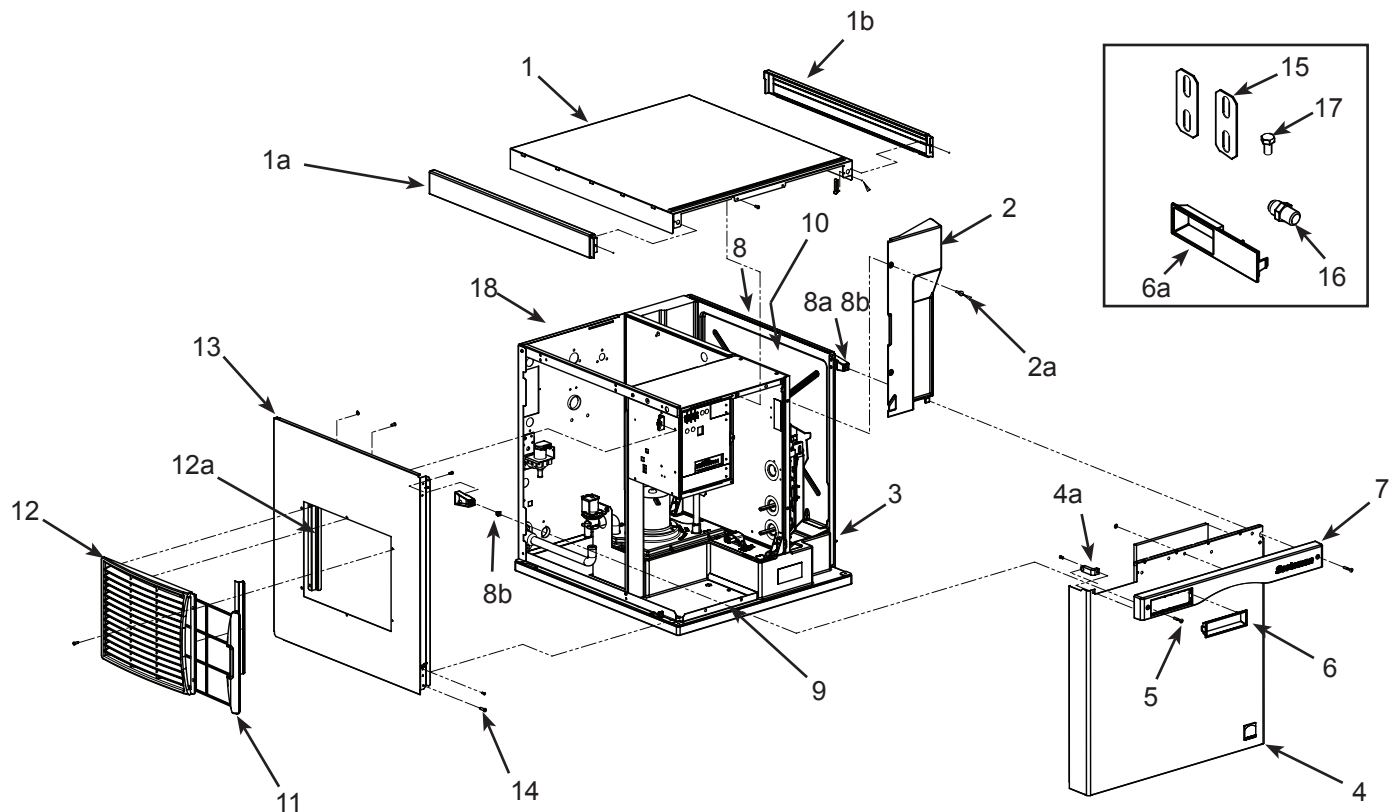


Item Number	Part Number	Description
1	A38941-021	Top panel, w/trim strips
1a	02-4221-01	Left trim strip
1b	02-4221-02	Right trim strip
2	02-4240-01	Evaporator cover
2a	03-0727-05	Screw
3	02-4219-01	Shield - discont Feb 2009.
4	A38552-021	Front panel assembly, includes trim strip, gussets and labels.
4a	02-4216-01	Top gusset
4b	02-4217-01	Bottom gusset
5	03-1735-03	Screw, front panel
6	02-4284-01	Bezel, full window
6a	02-4284-02	Bezel, partial window
7	02-4214-01	Trim strip
8	A38553-021	Right side panel assy
8a	02-4215-01	Receptacle
8b	03-3804-01	Screw receptacle

Item Number	Part Number	Description
9	02-4067-01	Side panel support for water cooled and remote models
	02-4067-02	Side panel support for air cooled models
10	02-4336-01	Right side panel liner
11	02-4212-01	Air filter
12	02-4224-01	Louver panel
12a	A39222-001	Filter guide
12b	A39238-001	Louver bracket
13	A38551-021	Left side panel, AC
	A38551-022	Left side panel WC, RC
14	03-1404-12	Screw
15	A30911-015	Machine straps
16	16-0355-00	Inlet water fitting, flare
17	03-1405-15	Screw

C0322, C0522 and C0722 Service Parts

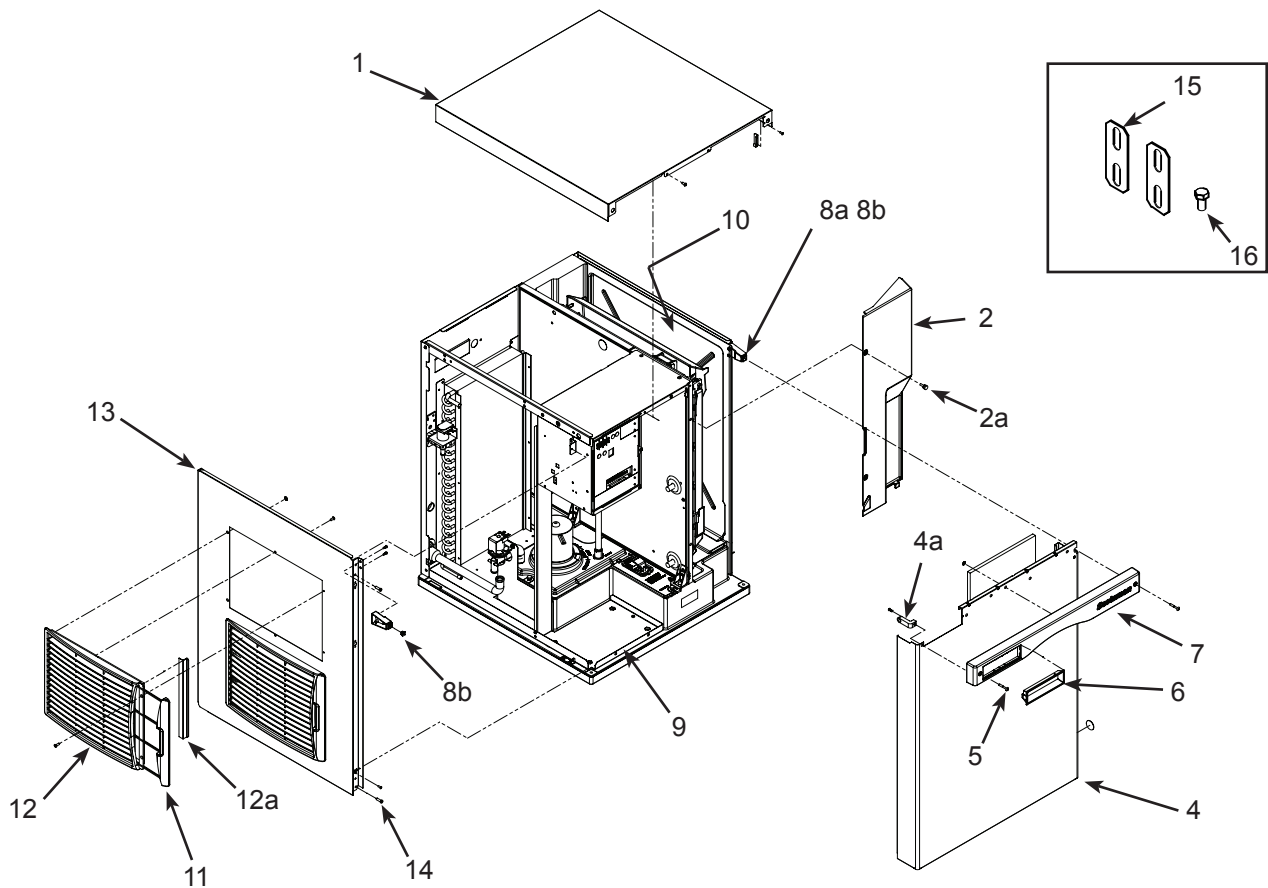
Cabinet - B Series C0322 and C0522



Item Number	Part Number	Description	Item Number	Part Number	Description
1	A39579-021	Top panel	10	02-4336-01	Right side panel liner
1a	02-4221-01	Left trim strip*	11	02-4212-01	Air filter
1b	02-4221-02	Right trim strip*	12	02-4224-01	Louver panel
2	02-4240-01	Evaporator cover	12a	A39238-001	Louver bracket
2a	03-0727-05	Screw	13	A39580-021	Left side panel, AC
3	A39571-001	Side panel clip		A39580-022	Left side panel WC, RC
4	A39578-021	Front panel assembly, includes trim strip and labels.	14	03-1404-12	Screw
4a	02-4216-01	Top gusset	15	A30911-015	Machine straps
5	03-1735-03	Screw, front panel	16	16-0355-00	Inlet water fitting, flare**
6	02-4284-01	Bezel, full window	17	03-1405-15	Screw
6a	02-4284-02	Bezel, partial window**	18	A39750-001	Back panel, water cooled
7	02-4214-01	Trim strip		A39750-001	Back panel, remote
8	A39581-021	Right side panel assy	* Trim strips discontinued mid 2011. ** Bezel and fitting discontinued from production 2/8/2012.		
8a	02-4215-01	Receptacle			
8b	03-3804-01	Screw receptacle			
9	no number	Compressor deck			

C0322, C0522 and C0722 Service Parts

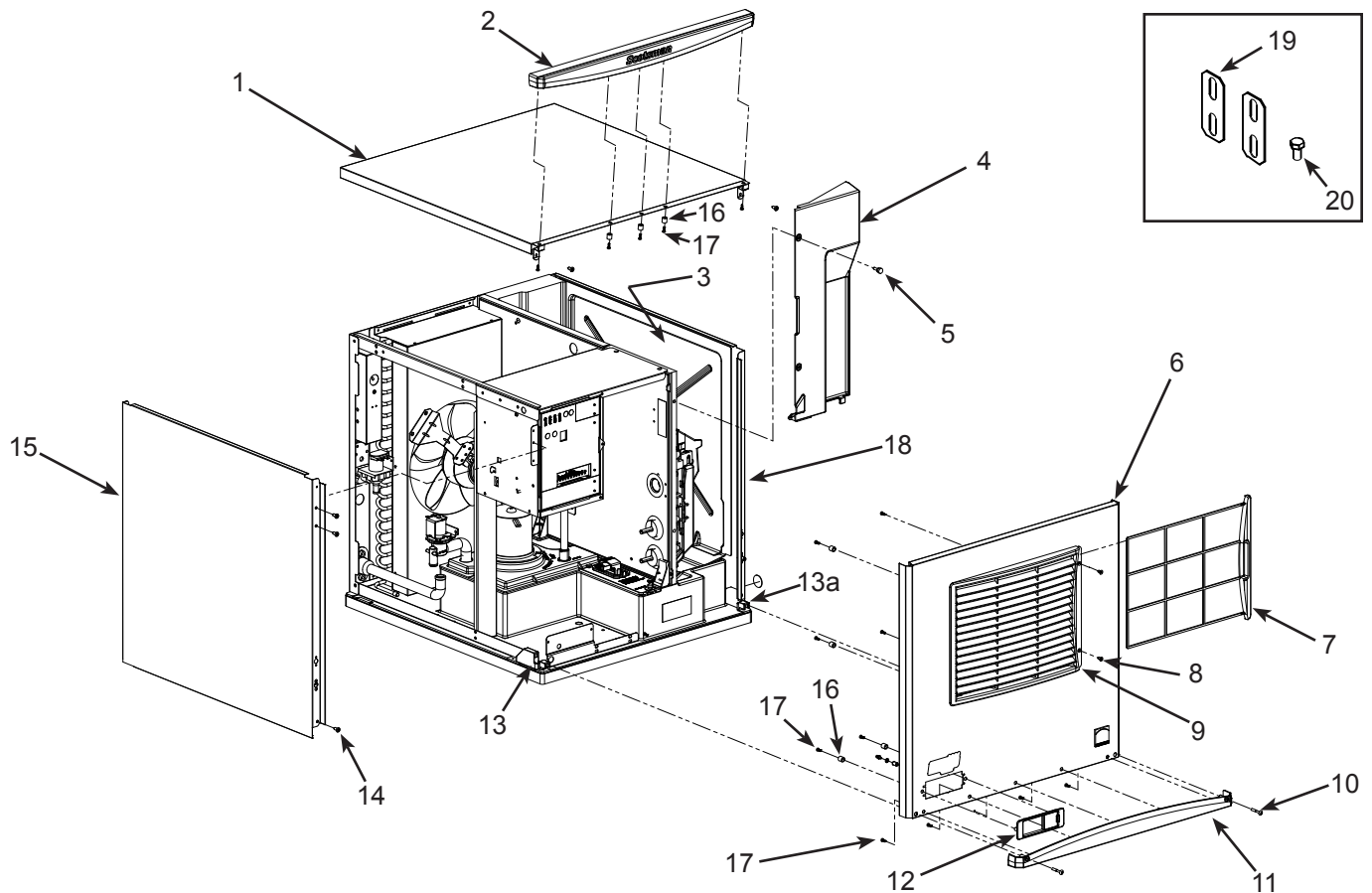
Cabinet - C0722 B Series



Item Number	Part Number	Description	Item Number	Part Number	Description
1	A39579-021	Top panel	8b	03-3804-01	Screw receptacle
2	02-4240-02	Evaporator cover	9	no number	Compressor deck
2a	03-0727-05	Screw	10	02-4336-01	Right side panel liner
3	A39571-001	Side panel clip	11	02-4212-01	Air filter
4	A39578-027	Front panel assembly, includes trim strip and labels.	12	02-4224-01	Louver panel
4a	02-4216-01	Top gusset	12a	A39238-001	Louver bracket
5	03-1735-03	Screw, front panel	13	A39580-023	Left side panel, AC
6	02-4284-01	Bezel, full window	14	03-1404-12	Screw
7	02-4214-01	Trim strip	15	A30911-015	Machine straps
8	A39581-022	Right side panel assy	16	03-1405-15	Screw
8a	02-4215-01	Receptacle			

C0322, C0522 and C0722 Service Parts

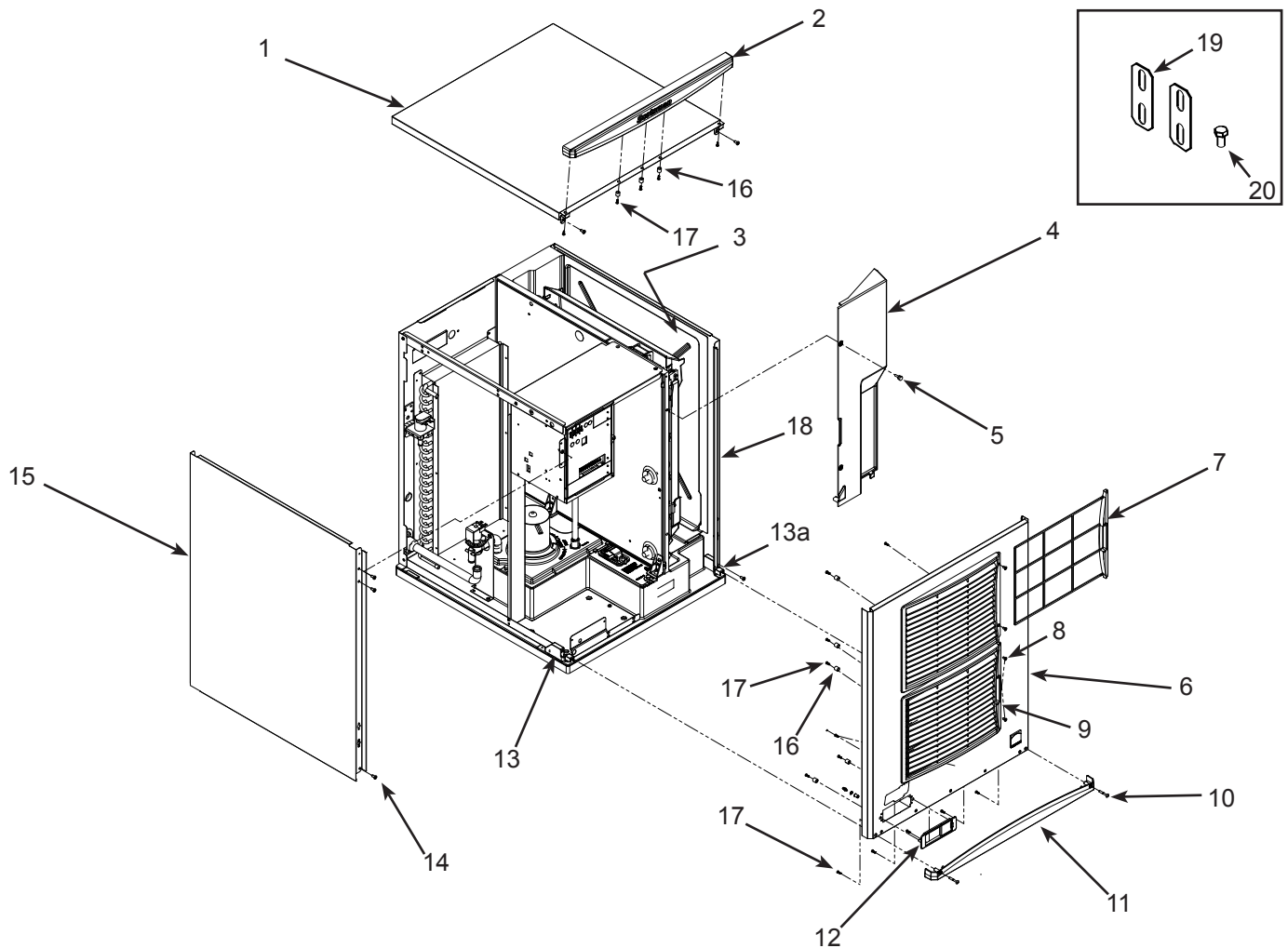
Cabinet - D and E Series C0322 and C0522



Item Number	Part Number	Description
1	A40309-022	Top panel, includes item 2
2	02-4819-02	Trim strip, top
3	02-4336-01	Right side panel liner
4	02-4240-01	Evaporator cover
5	03-0727-05	Thumbscrew
6	A40308-025	Front panel, AC includes items 7, 8, 9, 10, 11, 12
	A40308-026	Front panel, WC or RC. Includes items 10, 11, 12
7	02-4212-03	Air filter
8	03-1419-26	Screw
9	02-4224-03	Louvers
10	03-1735-03	Screw
11	02-4820-02	Trimstrip
12	02-4821-02	Bezel, includes standard door
12a	02-4822-01	Door, bezel with handle
12b	02-4822-02	Door, bezel secure
13	02-4823-21	*Panel mount kit, left
13a	02-4823-22	*Panel mount kit, right
		*Includes both screw receptacles
14	03-1404-10	Screw
15	A40310-023	Left side panel, AC
	A40310-021	Left side panel, WC, RC
16	02-4824-01	Spacer
17	03-3836-02	Screw
18	A40311-021	Right side panel
19	A30911-015	Machine straps
20	03-1405-15	Screw

C0322, C0522 and C0722 Service Parts

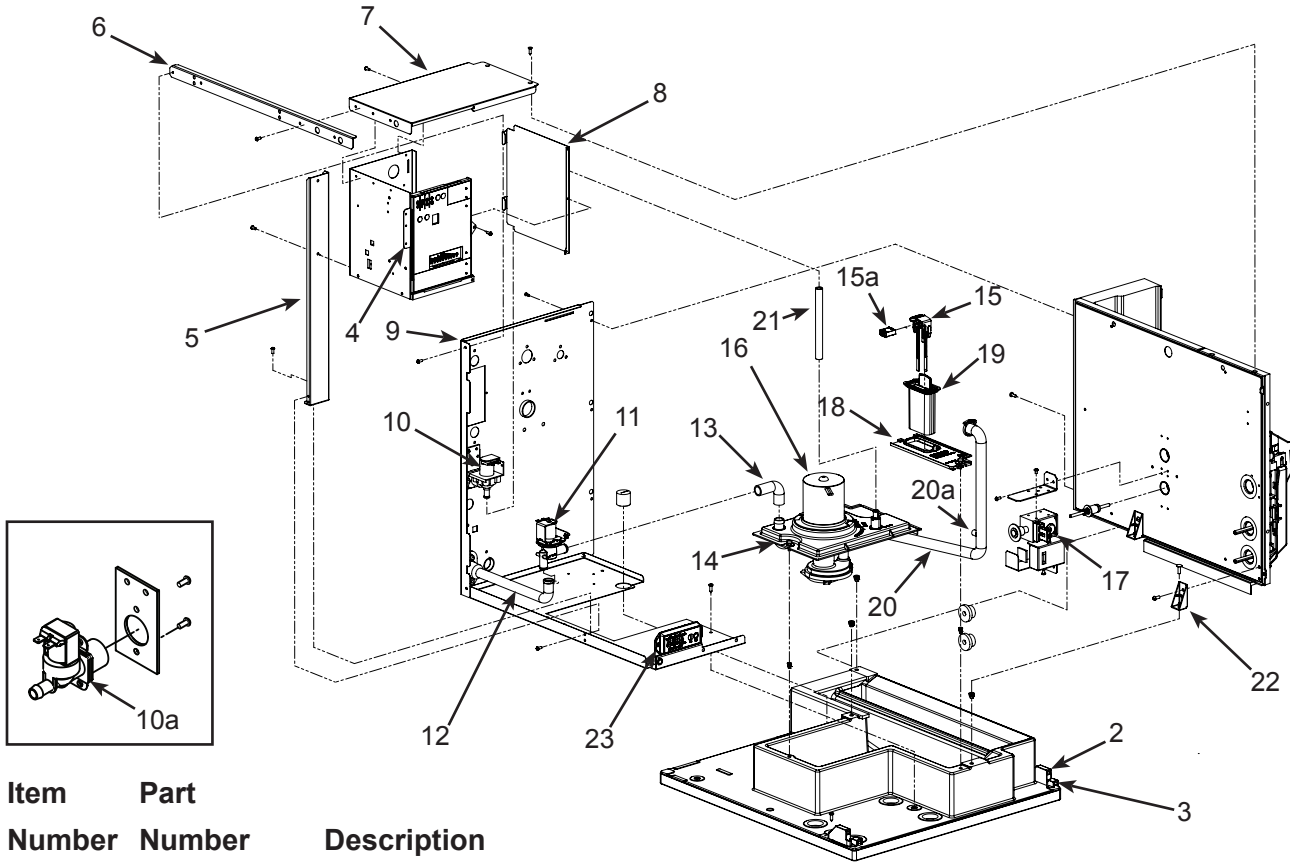
Cabinet - C0722 D and E Series



Item Number	Part Number	Description	Item Number	Part Number	Description
1	A40309-022	Top panel, includes item 2	12	02-4821-02	Bezel, includes standard door
2	02-4819-02	Trim strip, top	12a	02-4822-01	Door, bezel with handle
3	02-4336-02	Right side panel liner	12b	02-4822-02	Door, bezel secure
4	02-4240-02	Evaporator cover	13	02-4823-21	*Panel mount kit, left
5	03-0727-05	Thumbscrew	13a	02-4823-22	*Panel mount kit, right
6	A40308-027	Front panel, AC includes items 7, 8, 9, 10, 11, 12			*Includes both screw receptacles
7	02-4212-03	Air filter	14	03-1404-10	Screw
8	03-1419-26	Screw	15	A40310-024	Left side panel, AC
9	02-4224-03	Louvers	16	02-4824-01	Spacer
10	03-1735-03	Screw	17	03-3836-02	Screw
11	02-4820-02	Trim strip	18	A40311-022	Right side panel
			19	A30911-015	Machine straps
			20	03-1405-15	Screw

C0322, C0522 and C0722 Service Parts

Interior Parts

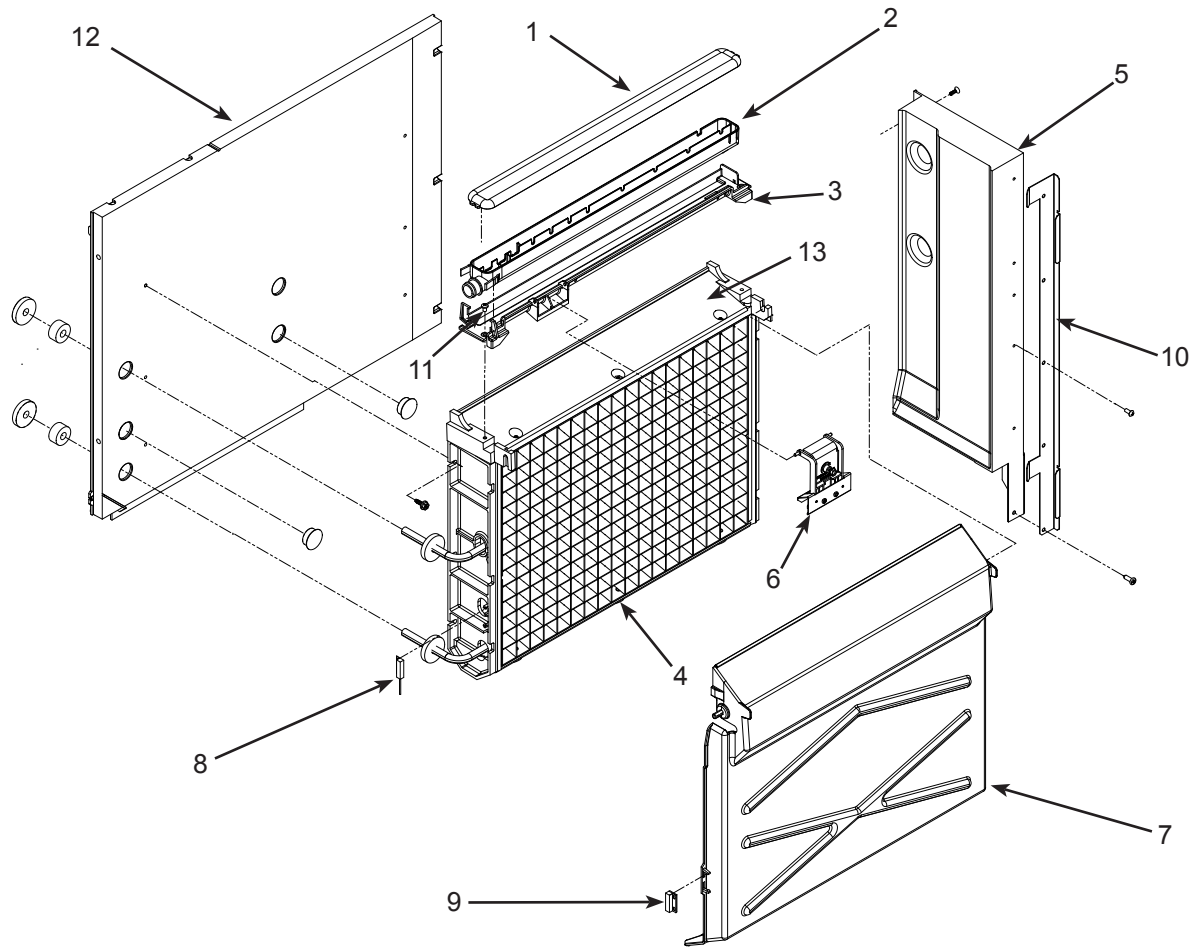


Item Number	Part Number	Description	Item Number	Part Number	Description
1*	15-0411-00	Strike - A series only	15	A39030-021	Water level sensor
2	See page 6 item # 13,13a and 13b		15a		Harness, see page 14
3	03-3804-01	Screw receptacle	16	12-2919-21	Water pump, 115 volt
4	A38732-001	Side pnl mount	12-2919-22		Water pump, C0322/522 208-230 volt
5	A38607-001	Strut, C0322, C0522	12-2920-23		Water pump, C0722
	A40057-001	Strut, C0722	17	12-3060-21	Harvest assist, 115 volt
6	A38582-001	Brace	12-3060-22		Harvest assist, 230 volt
7	A38539-001	Control box top A - C series	18	02-4648-01	Reservoir cover
	A40283-002	Control box top, D series	19	02-4646-01	Sensor guard
8	A38537-001	Control box side	20	02-4154-03	Pump hose, C0722
9	no number	Back panel	02-4154-02		Pump hose, C0522
10	12-2922-01	Inlet water sol vlv, 115 volt	02-4154-01		Pump hose, C0322
	12-2922-02	Inlet water sol vlv, 230 volt	20a	11-0515-21	Temp sensor set
	12-2912-01	Water valve rebuild kit	21	13-0674-02	Fill hose - order per foot
10a	11-0568-02	Inlet water sol vlv, CE mod	15-0821-01		Fill hose, -6 CE models
11	11-0564-01	Purge valve, 115 volt	22	02-4152-01	Gusset
	11-0564-02	Purge valve, 230 volt	23	11-0622-21	Lower switch panel w/ har-
12	A38861-002	Drain tube	ness		
13	A38861-001	Drain hose			
14	02-4164-01	Water pump bracket			

* Not illustrated, no longer used.

C0322, C0522 and C0722 Service Parts

Evaporator Compartment - C0322 or C0522



Item Number	Part Number	Description
1	02-4065-01	Water distributor cover
2	02-4064-01	Water distributor
3	02-4205-01	Mounting bracket
4	see table	Evaporator

	small cube	medium cube
C0322	A38626-021	A38626-022
C0522	A38627-021	A38627-022

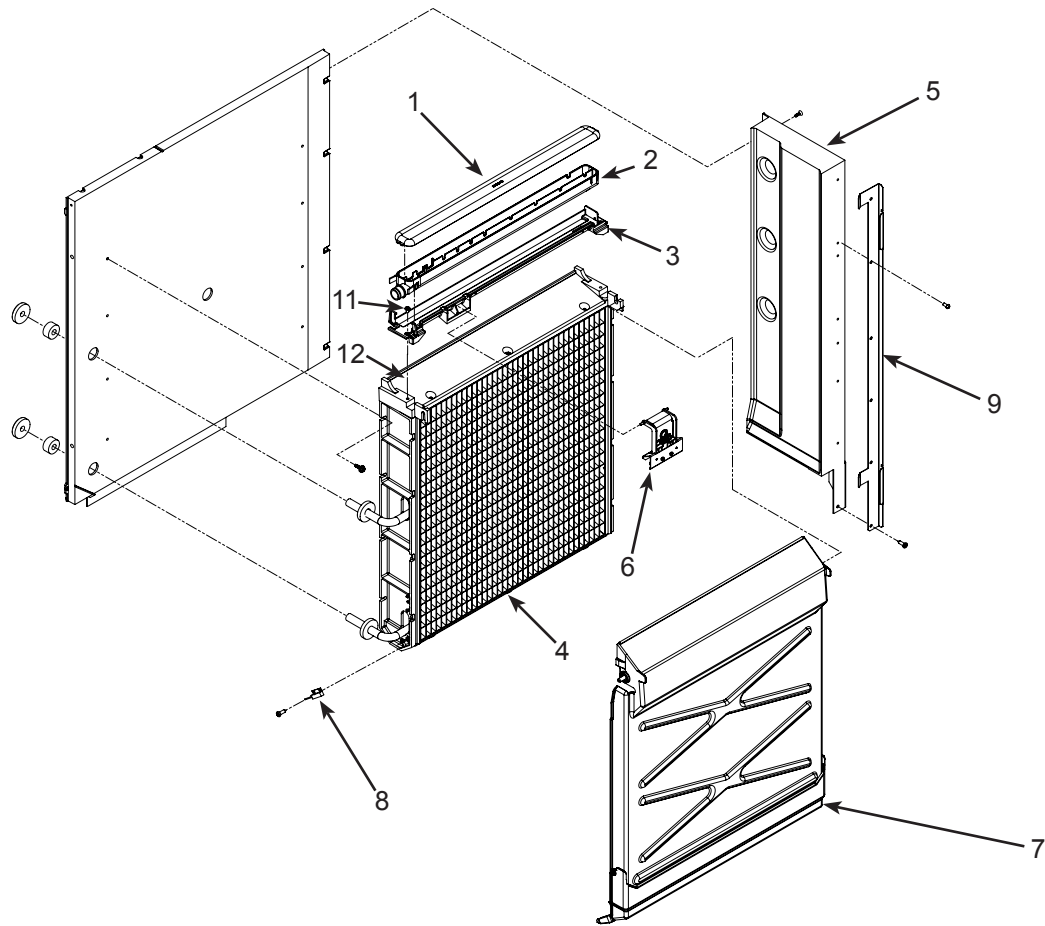
5	A38596-001	Back wall,
6	A39031-021	Ice thickness sensor

Item Number	Part Number	Description
7	02-4100-31	Curtain, C0322
	02-4100-32	Curtain, C0522
8	11-0563-01	Curtain switch
9	11-0563-02	Curtain switch magnet
10	02-4067-01	Side panel support
11	03-1418-30	Mounting screw
12	13-0943-01	Gasket tape, order by foot
13	02-4156-21	Spillway replacement kit

Note: Item 7 includes item 9, shipped loose

C0322, C0522 and C0722 Service Parts

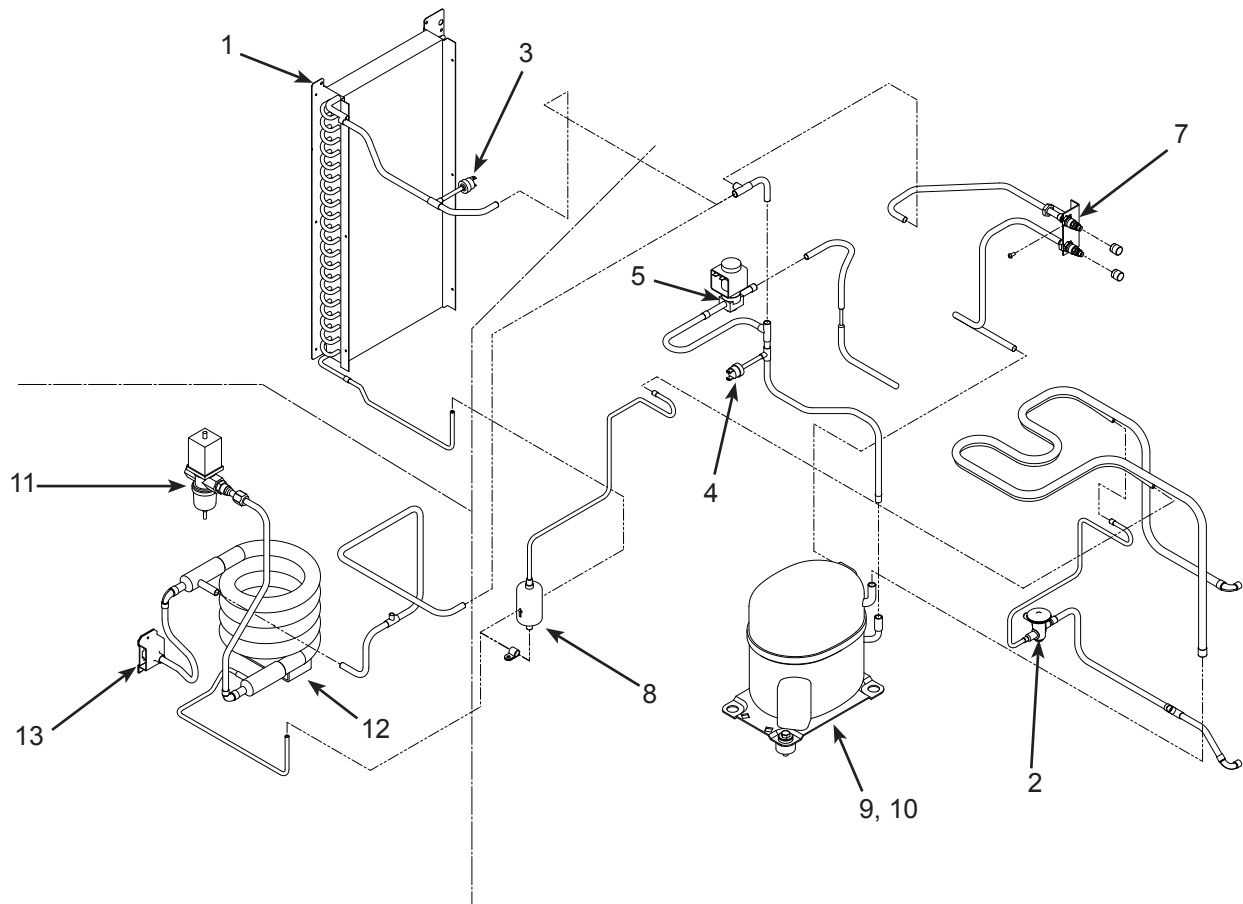
Evaporator Compartment - C0722



Item Number	Part Number	Description	Item Number	Part Number	Description
1	02-4065-01	Water distributor cover	7	02-4611-21	Curtain,
2	02-4064-01	Water distributor	8	11-0563-01	Curtain switch
3	02-4205-01	Mounting bracket	9	A39584-001	Liner support bracket
4	A38628-021	Evaporator, small cube	10	03-1418-30	Mounting screw
	A38628-022	Evaporator, large cube	11	13-0943-01	Gasket tape, order by foot
5	A38598-001	Back wall	12	02-4156-21	Spillway replacement kit
6	A39031-021	Ice thickness sensor	Note: Item 7 includes magnet		

C0322, C0522 and C0722 Service Parts

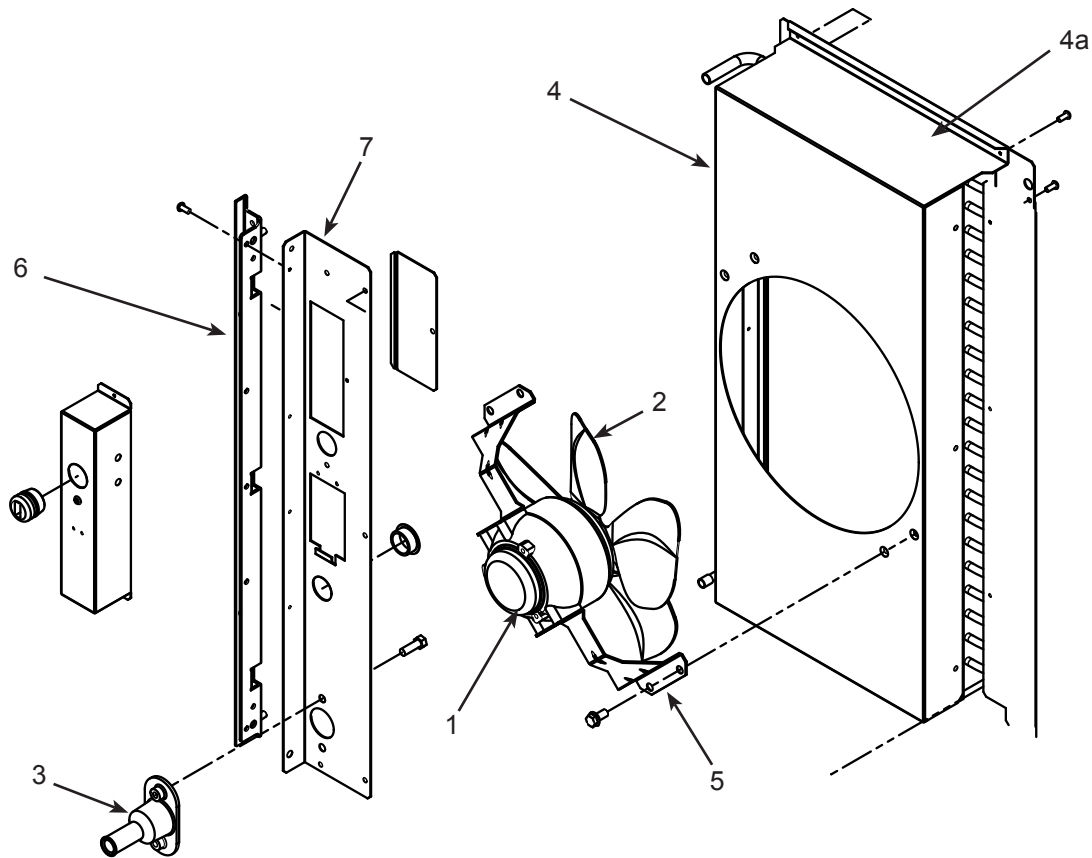
Air or Water Cooled Refrigeration



Item Number	Part Number	Description	Item Number	Part Number	Description
1	18-8890-01	Condenser, AC	7	16-1137-01	Valve body for all but C0722 E
2	16-1142-01	TXV, C0722		16-1138-01	C0722 E Valve body
	16-1184-02	TXV, C0522	7a	16-1139-01	Core
	16-1183-02	TXV, C0322	7b	16-1140-01	Cap
	19-0599-06	Insulation for TXV	8	02-3319-01	Dryer
3	11-0566-21	Fan cycle pressure sw.	9	see page 15	Compressors
4	11-0501-05	Hi pressure cut out (AC)	10	see page 15	Compressor mounting hdw
	11-0501-01	Hi pressure cut out (WC)	11	11-0608-21	Water regulating valve
5	11-0493-02	Hot gas valve w/coil, 115 volt	12	18-8871-21	Condenser
	12-2719-21	115 volt coil only	13	A31828-002	Condenser drain
	11-0493-01	Hot gas valve w/coil, 230 volt			Prior access valves (operate with hex key)
	12-2719-22	230 volt coil only		16-0832-20	Access valve
	12-2733-30	HGV rebuild kit		16-0832-03	Port cap
	*16-1063-01	HGV Strainer - discontinued 2012		16-0832-02	Stem cap

C0322, C0522 and C0722 Service Parts

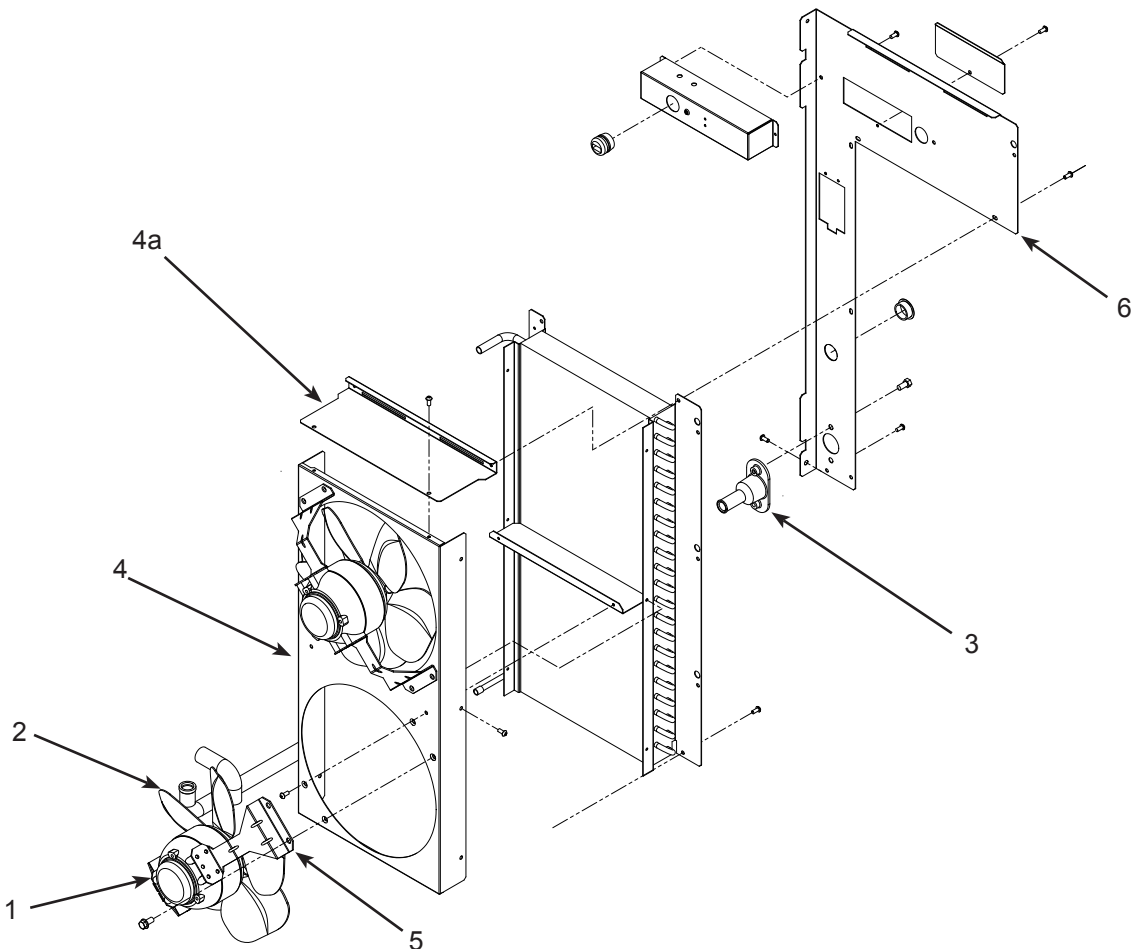
Fan and Condenser Area - C0322



Item Number	Part Number	Description
1	12-1681-23	Fan motor, C0322, 115 volt
	12-1681-04	Fan motor, C0322, 230 volt
2	18-8836-01	Fan blade, C0322
3	02-3692-21	Drain adapter - also for WC and RC
4	A38841-001	Fan shroud, C0322 - A series
	A39350-001	Fan shroud, C0322 - B or D series
4a	A39593-001	Fan shroud top - B or D series only
5	A38480-001	Fan motor bracket, C0322
6	02-4067-02	Side panel support, A series only
7	A39585-001	Utility bracket

C0322, C0522 and C0722 Service Parts

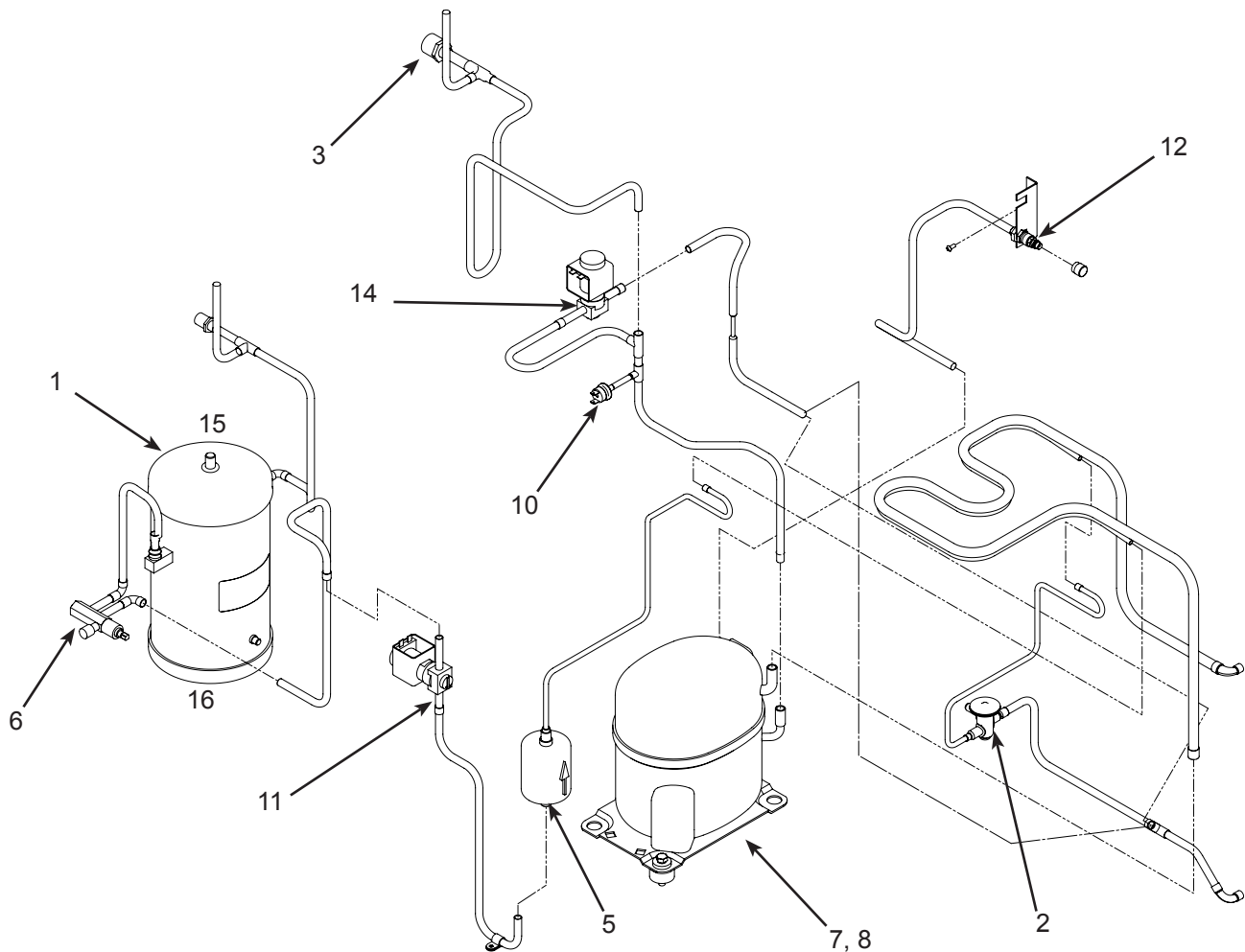
Fan and Condenser Area - C0522 or C0722



Item Number	Part Number	Description
1	12-1681-23	Fan motor, C0522 115 v
	12-1681-04	Fan motor, C0522 or C0722 230 volt
2	18-8836-01	Fan blade, C0522 or C0722
3	02-3692-21	Drain adapter - also for WC and RC
4	A38605-001	Fan shroud - C0522 A Series
	A39351-001	Fan shroud - C0522 or C0722 B or D Series
4a	A39593-001	Fan shroud top, C0522 or C0722 B or D Series only
5	A38480-001	Fan motor bracket, C0522 or C0722
6	A40059-001	Back panel - C0722
	A39585-001	Back panel - C0522. Not as shown.
7	02-4067-02	Side panel support - A series only. Not shown.

C0322, C0522 and C0722 Service Parts

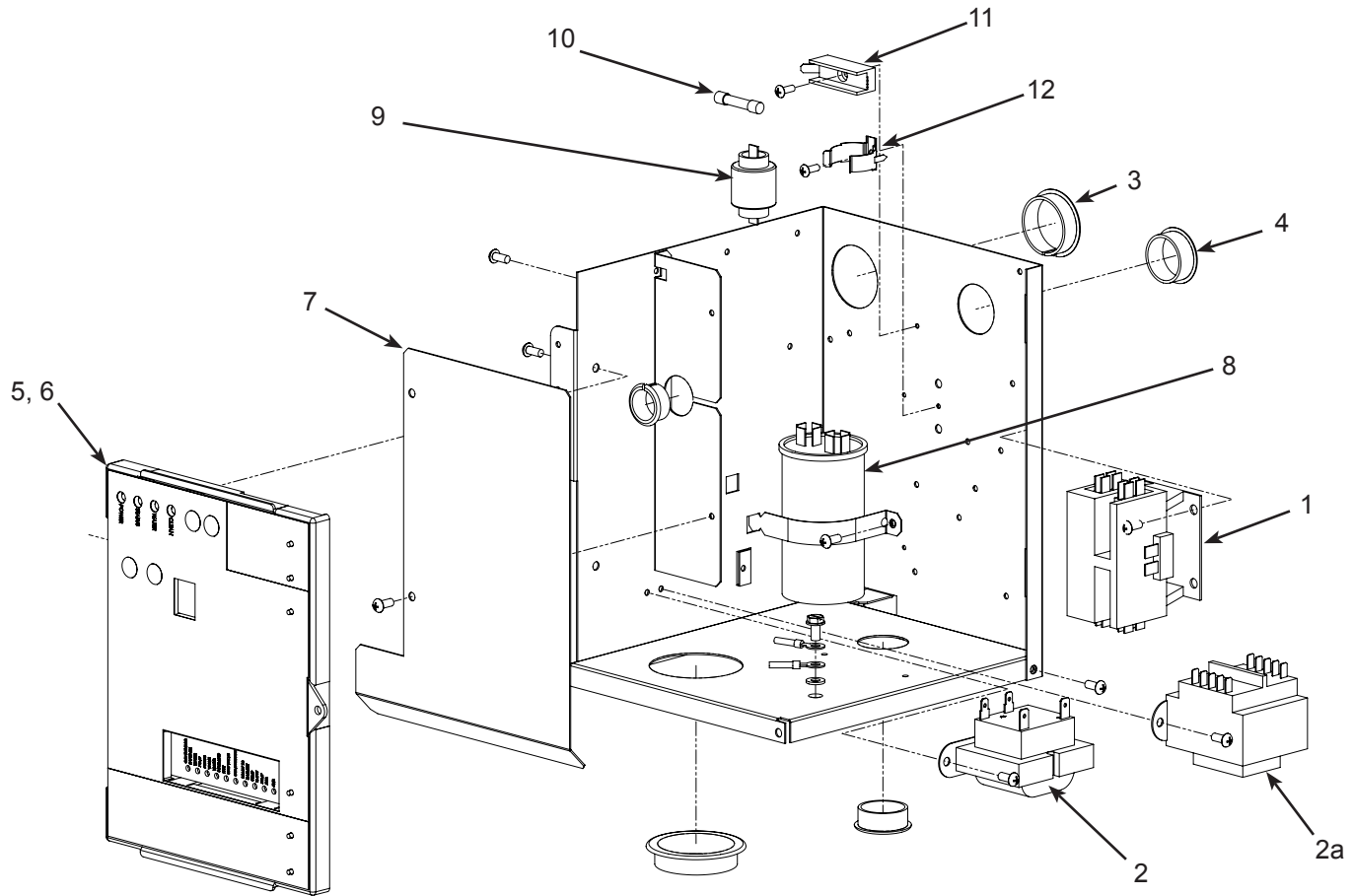
C0522 Remote Refrigeration



Item Number	Part Number	Description	Item Number	Part Number	Description
1	16-1176-01	Receiver	11	11-0493-02	Liquid line valve or HG, 115 volt
2	16-1182-01	TXV	12	16-1137-01	Valve body
	19-0559-06	Insulation for TXV	12a	16-1139-01	Core
3	16-0850-01	Discharge quick connect	12b	16-1140-01	Cap
4	16-0850-03	Liquid quick connect	13	16-1063-01	Strainer - no longer used
5	02-3319-02	Drier	14	11-0493-02	Hot gas valve
6	16-1030-01	Liquid line access valve	15	A37211-001	Top receiver bracket
7	see page 12	Compressors	16	A37212-001	Bottom receiver bracket
7a	12-2942-01	Crankcase heater	17	02-3692-21	Drain adapter
8	see page 12	Compressor mounting hdw	18	16-0832-20	Access valve
9	02-4067-01	Side panel support		16-0832-03	Port cap
10	11-0501-22	High pressure cut out		16-0832-02	Stem cap

C0322, C0522 and C0722 Service Parts

Control Box and Other Electrical



Item Number	Part Number	Description	Item Number	Part Number	Description
1	12-2469-03	Contactora, 115 volt	9	see next page PTCR -	
	12-2469-02	Contactora, 230 volt	10	12-2686-01	Fuse, 50 Hz only
2	12-2924-01	Transformer, 115 volt	11	12-2687-01	Fuse holder
	12-2924-02	Transformer, 230 volt	12	18-8835-02	Bracket
2a	12-2639-01	Transformer, 50 Hz	Wiring Harnesses (not illustrated)		
3	12-1213-11	Snap bushing	13	12-2931-01	Power harness, A & W
4	12-1213-15	Snap bushing		12-2931-02	Power harness, Remote
5	11-0621-21	Service controller, fits all Prodigy cubers		12-2930-01	Power harness, *C0722E
6	02-4076-01	Control box door	Power harness connects to J1 on controller		
	02-4189-01	Overlay label	14	12-2932-01	Hi voltage harness, A & W
7	A39216-001	Barrier		12-2933-01	Hi voltage harness, Rem
8	see next page	Run capacitor		12-2971-01	Hi voltage, 50 Hz A & W
			Hi voltage harness has the 8 pin connector		
			15	12-2928-01	WLS harness

C0322, C0522 and C0722 Service Parts

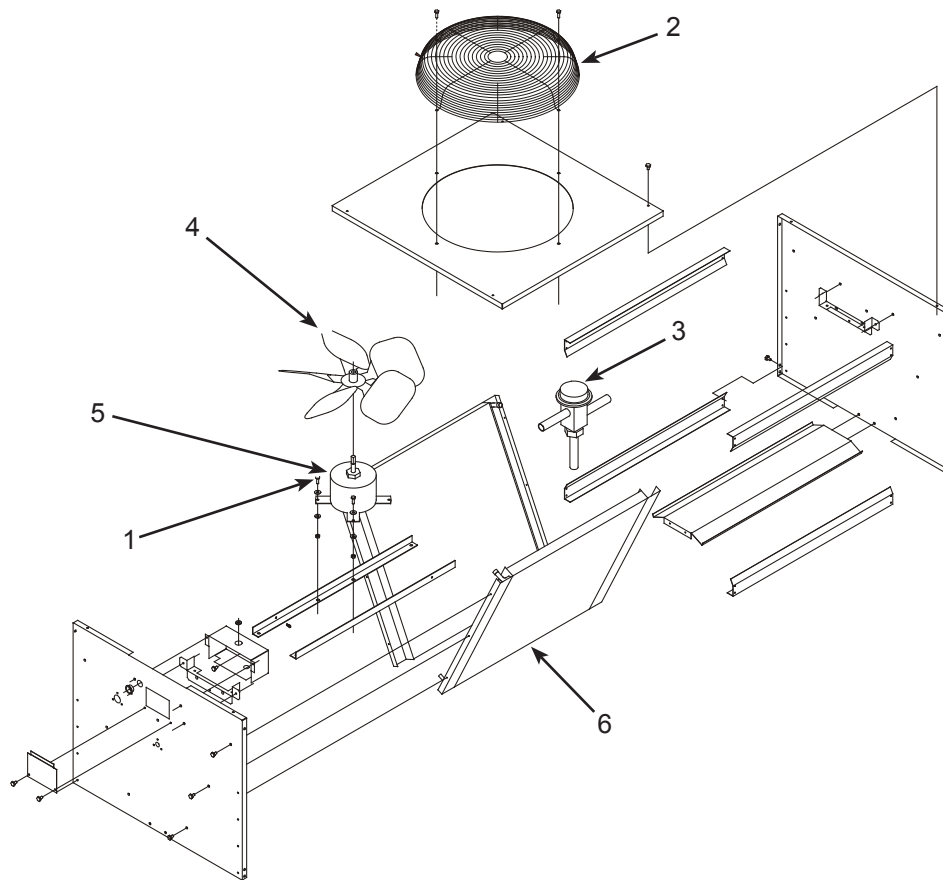
Compressors and Compressor Electrical

Model	Series	Electrical	Compressor	Overload	Run Ca- pacitor	PTCR
C0322-1	A-D	115/60/1	18-8897-21	18-8897-23	18-1902-53	18-8835-01
C0322-6	A-D	230/50	18-8897-26	18-8897-28	18-1902-57	18-8835-01
C0322-32	A-D	208-230/60/1	18-8897-22	18-8897-27	18-1902-57	18-8835-01
C0522-1	A-D	115/60/1	18-8921-21	18-8921-23	18-1902-45	18-8835-01
C0522-1	E	115/60/1	18-8897-21	18-8897-23	18-1902-69	18-8835-01
C0522-6	A-D	230/50	18-8921-26	18-8774-27	18-1902-68	18-8835-01
C0522-6	E	230/50	18-8897-26	18-8897-28	18-1902-68	18-8835-01
C0522-32	A-D	208-230/60/1	18-8921-22	18-8774-28	18-1902-68	18-8835-01
C0522-32	E	208-230/60/1	18-8897-22	18-8897-27	18-1902-68	18-8835-01
C0722-32	A-D	208-230/60/1	18-8922-22	18-8922-27	18-1902-57	18-8835-01
C0722-32	E	208-230/60/1	18-8955-22	Internal	18-1902-67	18-8835-01
C0722-6	A-D	230/50	18-8922-26	18-8922-28	18-1902-71	18-8835-01
C0722-6	E	230/50	18-8955-26	Internal	18-1902-63	18-8835-01

Model	Series	Bolt	Washer	Grommet	Sleeve
C0322, C0522	A-E	03-1405-20	03-1407-07	18-4700-28	18-0108-41
C0722	A-D	03-1405-20	03-1407-07	18-4700-28	18-0108-41
C0722	E	03-1405-20	03-1407-07	18-2200-28	18-2200-27

C0322, C0522 and C0722 Service Parts

Remote Condenser



Item Number	Part Number	Description
1	03-1405-08	Screw
2	02-3575-01	Fan guard
3	16-1044-01	Headmaster
4	18-8816-01	Fan blade
5	12-2651-02	Fan motor - 115 volt (ERC111 and ERC211)
6	18-8815-01	Coil

Not Shown:

A37169-001	Leg
A37170-001	Leg brace
03-1645-01	Screw for legs
16-0850-01	Quick connect, discharge
16-0850-03	Quick connect, liquid