

Cork and Steel Bar Stool

Wiid Cork and Timber Furniture Collection



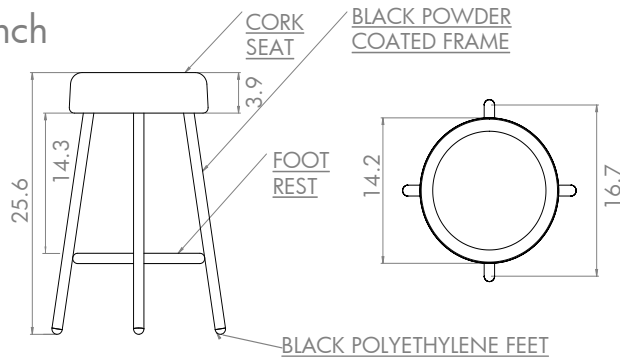
Manufactured in Cape Town from organic and completely recyclable dark or light cork, these cork and steel bar stools are the perfect accent for any living area. The steel structure is electro-galvanized and powder coated in a durable ferro grade powder, custom colors can be specified. Two size options available: 25.6 inch which is suitable for counter heights of 35 inch, and 29.6 inch which is suitable for counter heights of 39 inch.

product specifications

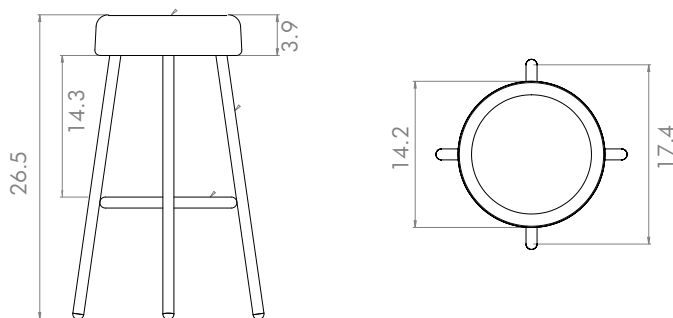
- Re-inforced steel
- Sustainably harvested cork
- Two size options: 25.6 in and 29.6 in
- Indoor and outdoor use



25.6 Inch



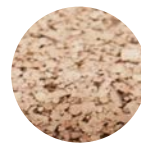
29.6 Inch



Finish Options



black steel



light cork



dark cork