

---

NIGHT & DAY FRISKNOCK

# instructions

AGES 10+ // 2-4 PLAYERS



tenalach®



# this is where memories are made

We are a collective of outdoor enthusiasts united in our belief that time spent outside with friends and family is time well spent. It's what inspired us to create our collection of timeless outdoor games. Thank you for choosing tenalach as a means for your memories. We hope you enjoy playing Night & Day Frisknock as much as we did crafting it.

## UP YOUR GAME DAY

Get out and enjoy our entire collection of outdoor games. Backed by quality tenalach construction, you can guarantee the fun won't stop anytime soon.

Find these games and other outdoor goods at [tenalach.com](https://tenalach.com):

Night & Day Croquet

Night & Day Frisknock

Ladder Toss

Night & Day Bocce

Night & Day Bean Bag Toss

Yard Dice

Night & Day Frisjam

Play Anywhere Horseshoes

Umali

## SHARE OUR LOVE OF THE OUTDOORS?

Join the movement and help us celebrate this playful, natural world.

 [tenalach.co](https://www.instagram.com/tenalach.co)     [tenalach.co](https://www.facebook.com/tenalach.co)     [tenalach\\_co](https://twitter.com/tenalach_co)    [#seekitout](https://twitter.com/tenalach_co)

---

TENALACH // WINNIPEG, MB CANADA R3H 1A4  
TENALACH.COM // 1-800-665-0258

# night & day frisknock

Night & Day Frisknock challenges all to take aim to knock down the glowing, folk-art-inspired pins with the flying disc. Winner forever gets bragging rights around the bonfire.

The object of Night & Day Frisknock is to knock your opponents' pin off its pole by hitting the pole or hitting it directly with the flying disc.

Night & Day Frisknock can be played outdoors on a flat and level surface. Set up poles 20 – 40' (6m – 12m) apart, depending on space and how challenging you would like the game to be. Adjust distance based on the playing area available.

## CONTENTS

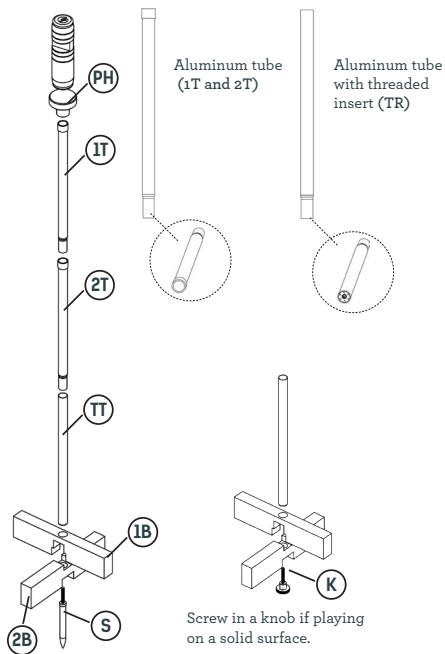
- 2 aluminum poles with hardwood crosshair bases
  - 2 hardwood bases (two pieces per base), 2 hardwood pin holders,
  - 2 aluminum tubes, 2 aluminum tubes with threaded insert, 2 spikes, 2 knobs
- 2 hardwood target pins
- 2 LED bands for target pins
- 1 LED flying disc
- 1 instruction booklet
- 1 premium canvas and leather case
- 5 CR2032 batteries

Please carefully inspect your new Night & Day Frisknock set to ensure all parts listed are included.

## PLAYERS

Four players: two players per team

## ASSEMBLY



## Poles

1. Fit the two hardwood base pieces together (1B and 2B) to make a “+” shape.
2. Fit the aluminum tube with threaded insert (TT) into the hole on top of the hardwood base. If you’re playing on a soil surface (eg: grass), screw in the spike (S) from the underside of the base until the tube and base are securely attached. The spike prevents the pole from tipping over. If playing on a solid surface (eg: concrete), screw in the knob (K).
3. Insert the top end of one aluminum tube (1T) into the black end of the second aluminum tube (2T). Attach them by holding down and aligning the small button on 1T with the hole on 2T.
4. Repeat step 3 by inserting 2T into TT.
5. Fit the hardwood pin holder into the top of 1T. Set the pin on the pin holder.

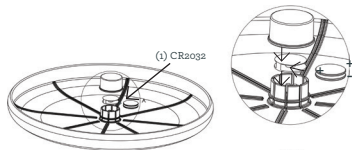
Repeat these steps for the second pole.

## NIGHTTIME PLAY / LED LIGHTS

### LED Flying Disc

On the underside of the LED flying disc, use a flat head screwdriver (or similar flat object) to pry off battery cap. Insert (1) one CR2032. Firmly press cap back on until secure.

Use switch on the underside of disc to turn LED light on and off.



Insert (1) one CR2032 battery on underside of LED flying disc.

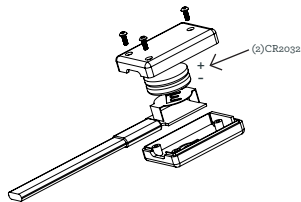
### Pins

Tool required: #0 Phillips Screwdriver

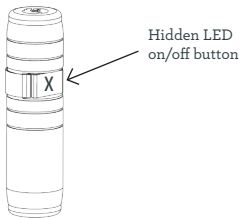
On each LED band, slide battery case outside of strap. Unscrew the three screws and remove the case cover. Insert (2) two CR2032 batteries, positive to negative. Screw case cover back on and slide battery case back into strap.

Wrap the LED light around the middle of the pin and secure into place with Velcro. A hidden button can be found on the strap between the LED light and Velcro.

Press button once for static light, a second time for quick flashing light, and third time for a slow flashing light. Press again to turn off.



Insert (2) two CR2032 batteries into LED band.



## GAMEPLAY

1. Start by determining who goes first with a coin toss. Two teams stand behind their respective poles.
2. Team One throws the flying disc, trying to knock the other team's pin off the pole. The defending team attempts to catch both the disc and the pin.
3. Team Two throws next.
4. Both teams continue to take turns. The first team to reach 21 points wins. A team must win by two points.

The first team to reach **21 points** wins. A team must win by two points.

## **RULES**

Players must stand behind their poles while tossing the disc or defending.

The defending team cannot catch the disc before it passes the pole, and can only attempt to catch the disc and/or pin using one hand. If these rules are violated, the throwing teams receives another chance to throw.

The disc is “uncatchable” and receives no points if:

- it hits the ground before getting to the pole
- if it is outside of arm’s reach within one large step of a defending player
- it is below knee height of the defending team when it passes their pole
- it is outside the raised arm height of the defending team

## **SCORING**

### **1 Point**

Your disc throw does not knock off the pin, but the defending team fails to catch the disc

### **2 Points**

Your disc throw knocks off the pin, and the defending team catches either the pin or disc but not the other

### **3 Points**

Your disc throw knocks off the pin, and the defending team fails to catch both the pin and disc

## TREAT WITH CARE

tenalach Night & Day Frisknock was thoughtfully designed to last for generations to come. Treat your set with care to help the fun times last for years. Do not use game components for anything other than their intended purpose. Use a damp cloth to spot clean case, poles, pins, or disc if necessary. The LED flying disc was not intended for use below 32°F (0°C) or above 86°F (30°C). Store in a dry area between 59°F to 77°F (15°C to 25°C), and never leave outside for an extended period of time. If lights flicker or appear dimmer, please replace the batteries. Be sure that lights are turned off to prevent batteries from draining, and that components are completely dry before storing in its case.

## WARRANTY

Your tenalach outdoor game is guaranteed against defects in workmanship or materials and is covered by a limited lifetime warranty. This warranty doesn't include batteries, and damage caused by normal wear and tear, misuse, neglect, or unauthorized repair.

Should you require service for your tenalach product, call us at **1-800-665-0258** or contact us via **[www.tenalach.com](http://www.tenalach.com)**.

## LIMIT OF LIABILITY

All components of this product are specifically designed to be used in the manner indicated in this booklet. In no event shall tenalach or its affiliated companies and owners be liable for any direct, indirect, punitive, special consequential damages, to property, person or life, whatsoever arising out of or connected with the use or misuse of our products. Children under the age of majority should only use this product under the supervision of adults.