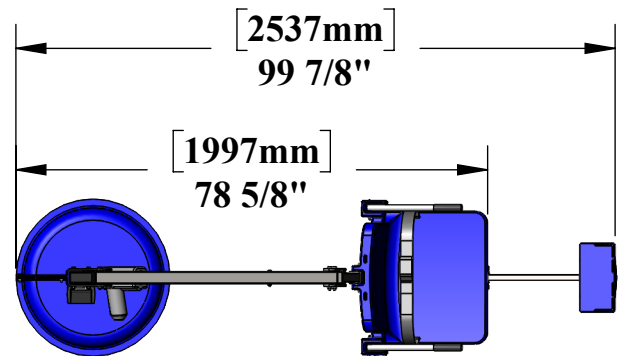
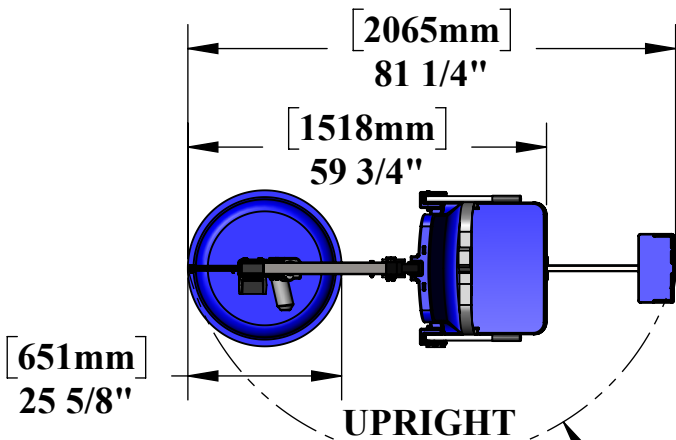
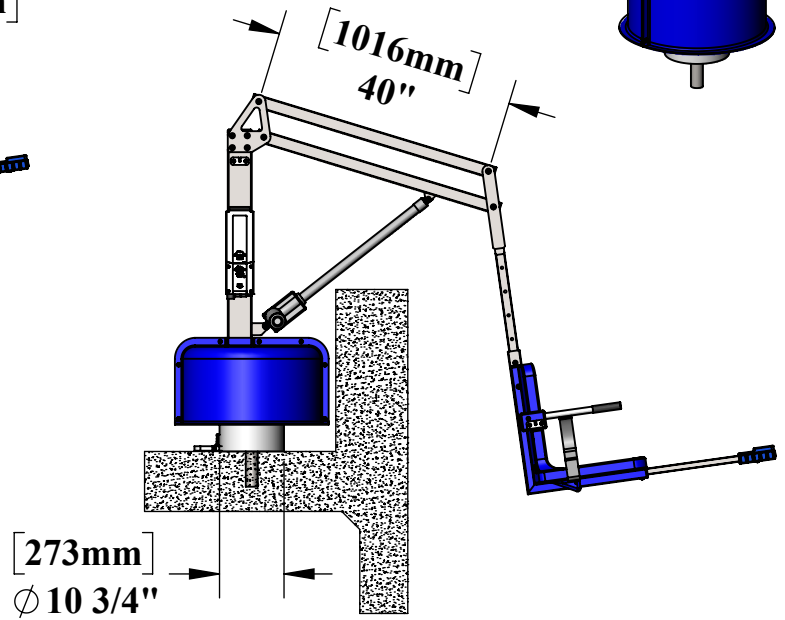
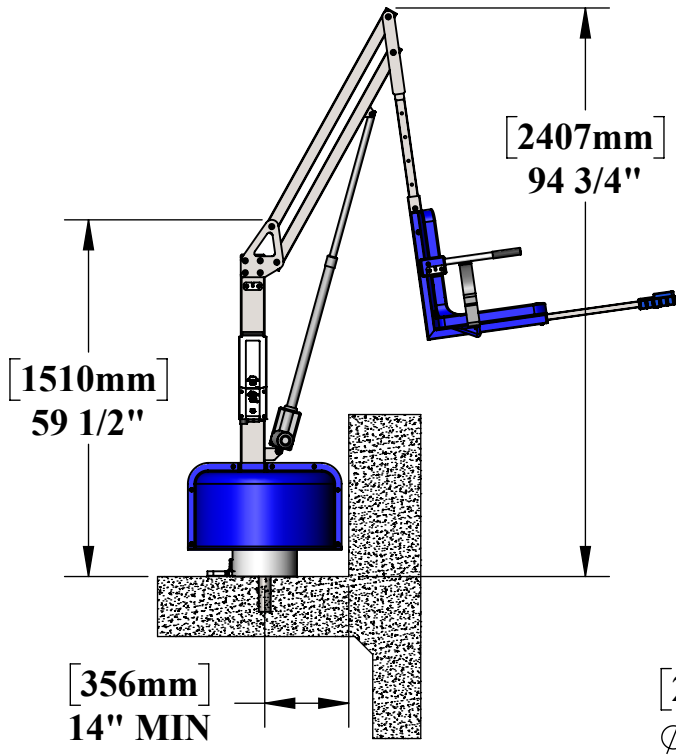
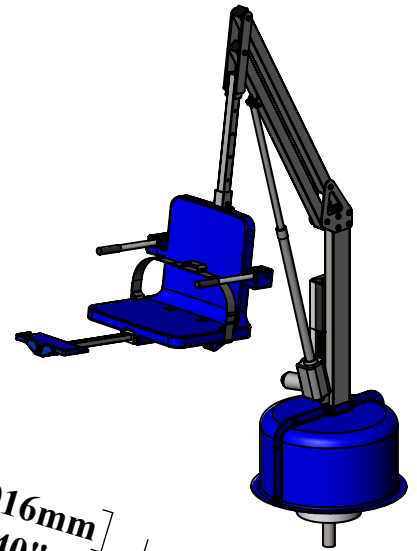


# REVOLUTION SPA POOL LIFT

U.S. PATENT NO. D507,769 S

**PRODUCT WEIGHT:** 270lbs [122kg]  
**MAX WEIGHT CAPACITY:** 500lbs [227kg]  
**MIN ANCHOR SETBACK:** 14"  
**MAX WALL HEIGHT:** 40"  
**WALL THICKNESS AT MAX HEIGHT:** 8"  
**MAX WALL THICKNESS:** 25"  
**WALL HEIGHT AT MAX THICKNESS:** 21"  
**SEAT HEIGHT ADJUSTMENT:** 16" IN 4" INCREMENTS  
**VERTICAL TRAVEL DISTANCE:** 46 1/2"



UPRIGHT

EXTENDED

CONTINUOUS  
360° ROTATION



9889 GARRYMORE LANE  
 MISSOULA, MT 59808  
 (406) 549-0769  
 FAX (406) 549-2602

NOTE:  
 \*SPECIFICATIONS ARE SUBJECT TO CHANGE WITHOUT NOTICE

PRODUCT:		REVOLUTION SPA	
PART #:		F-702RLNA-SPA	
SCALE:	1:32	DATE:	6/14/2019
DRAWN BY:	KR	REVISION:	03