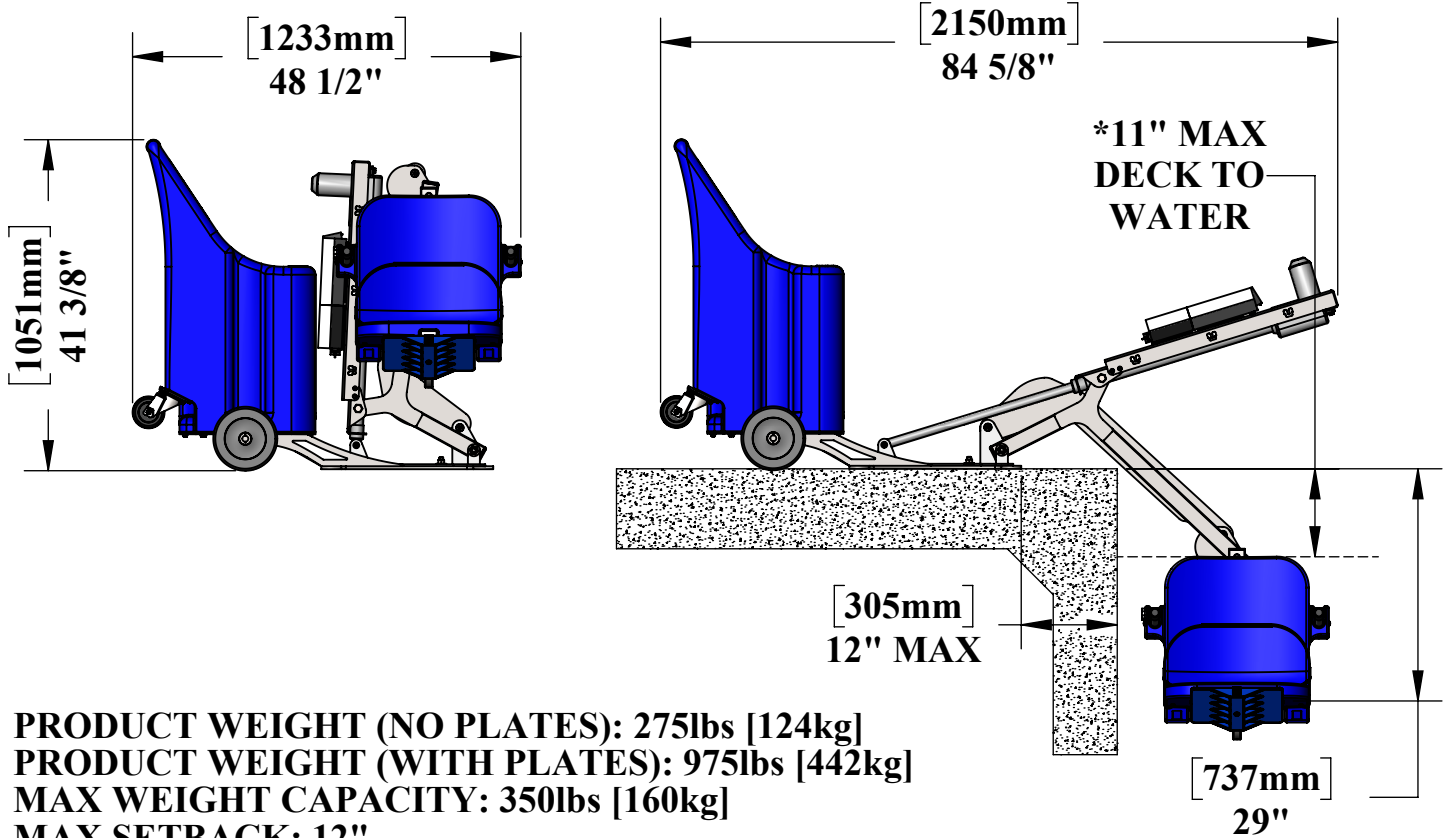


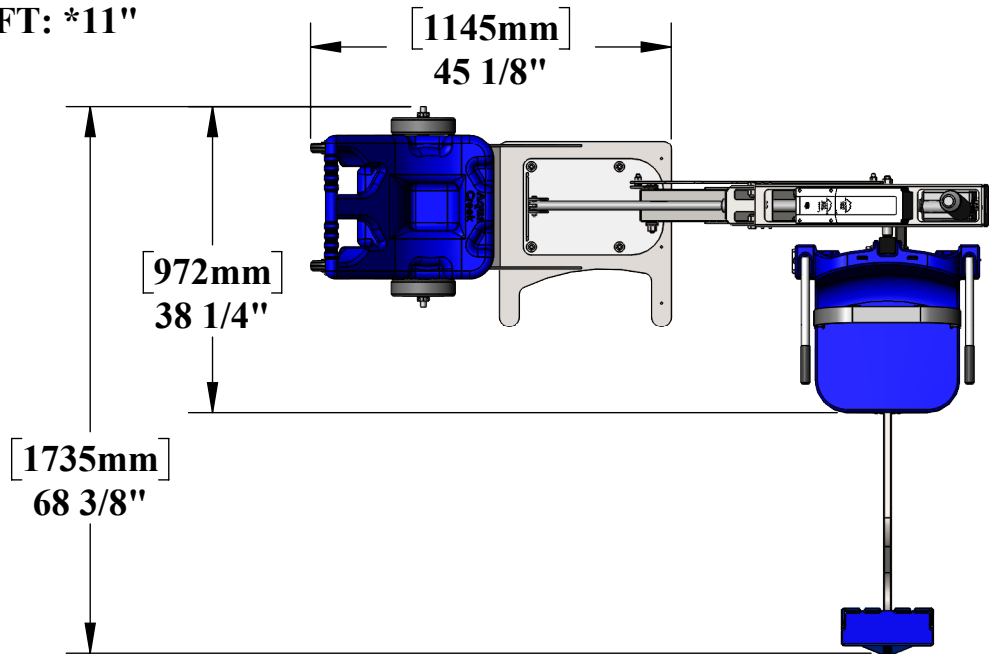
# PORTABLE PRO POOL-AT LIFT

US PATENT NO'S: [7,249,386 B2] [D507,769 S]

\*MEASUREMENT TAKEN WITH THE LIFT AT FULL LOAD\*



**PRODUCT WEIGHT (NO PLATES): 275lbs [124kg]**  
**PRODUCT WEIGHT (WITH PLATES): 975lbs [442kg]**  
**MAX WEIGHT CAPACITY: 350lbs [160kg]**  
**MAX SETBACK: 12"**  
**MAX WATER DRAFT: \*11"**



9889 GARRYMORE LANE  
 MISSOULA, MT 59808  
 (406) 549-0769  
 FAX (406) 549-2602

NOTE:  
 \*SPECIFICATIONS ARE SUBJECT TO CHANGE WITHOUT NOTICE

PRODUCT: <b>PORTABLE PRO POOL-AT</b>	
PART #:	<b>F-004PPPB-AT1</b>
SCALE:	<b>1:24</b>
DATE:	<b>6/14/2019</b>
DRAWN BY:	<b>KR</b>
REVISION:	<b>03</b>