

# SoftPro Water Systems

## Quick Start Guide SoftPro Elite

### Unpacking and Inspecting your unit

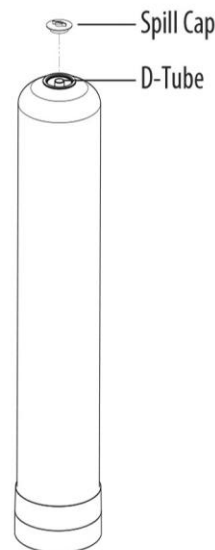
Upon opening your SoftPro Elite Water Softener please make sure all parts are in the boxes. The small parts needed to install this system are in the small parts bag, please leave them in there until use to avoid losing them. If the system you ordered is 48,000 grains or under you will have received a mineral tank already loaded with resin, remove the cap and check to make sure it is loaded. You'll have received another box that will be the brine tank with the control valve inside. Please inspect for any possible damage that may have occurred during shipment of this product. If you notice damage please contact us right away at 866-278-4130 or email us photos at [sales@qualitywatertreatment.com](mailto:sales@qualitywatertreatment.com).



#### The items you will expect are:

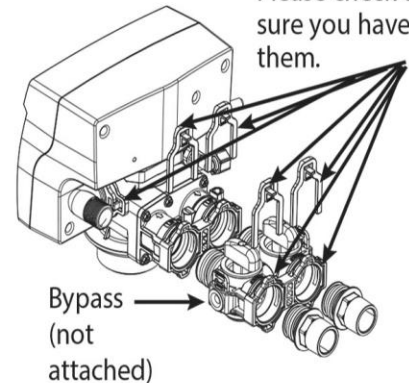
1. Tank with Media loaded
2. Control Valve
3. Parts Kit
4. Brine Tank (Round or Square) and Components

#### 1. Tank with Media loaded

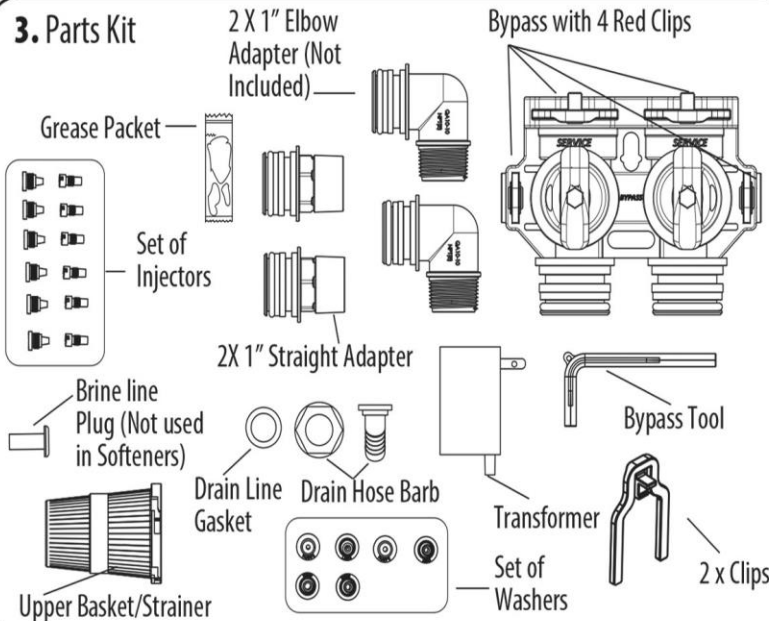


#### 2. Control Valve

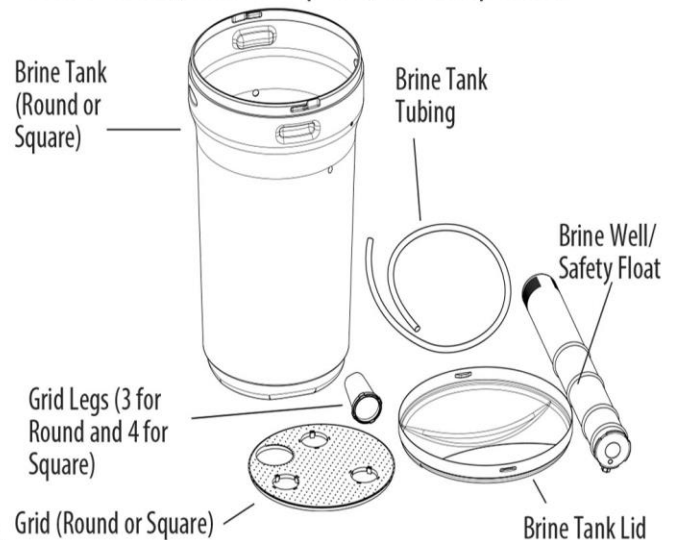
There are 7 Red clips. Please check to make sure you have all of them.



#### 3. Parts Kit



#### 4. Brine Tank (Round or Square) and Components



## Installation and Start Up

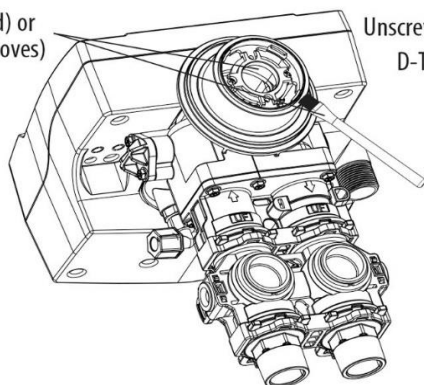
Before you begin your installation, we always recommend that you check with local plumbing codes to see how and where you can run your drainline.

Be sure to grease all orings to help avoid pinching

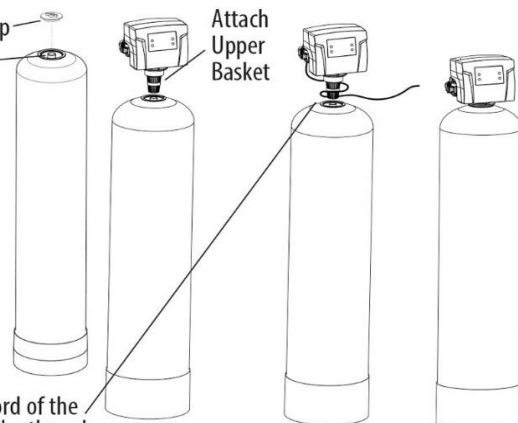
### Installation and Startup - Installing valve

1. Select an installation location that is near a 110V power outlet and a spot that you can run the drainline to.
2. Again, be sure to lube the bottom Valve Orings with the grease supplied.
3. Attach the upper basket
4. Unscrew the spill cap
5. Carefully slide the D-tube (distributor tube) inside the Valve and screw the valve on to the tank making sure that the power cord does not get stuck between the valve and the tank.

Grease port Orings using brush (not included) or your finger (Make sure to wear protective gloves)



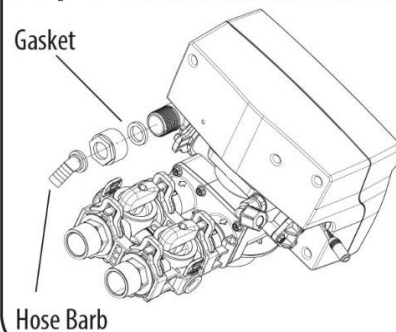
Unscrew Spill Cap  
D-Tube



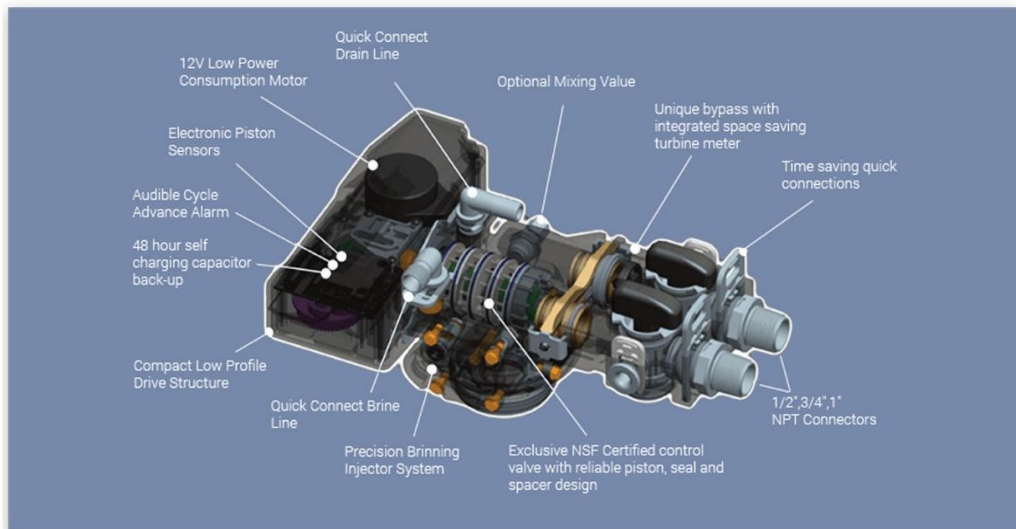
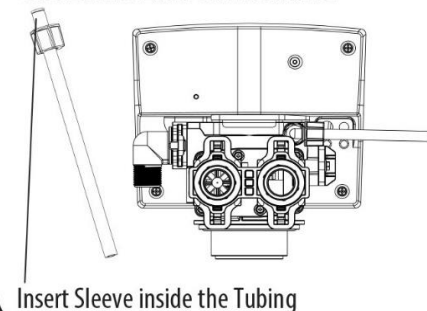
**CAUTION:** Make sure the power cord of the valve doesn't get caught between the threads

6. Attach the drainline hose Barb to the drainline port
7. Attach the drainline to the barb and run to the drain
8. Attach Brine tubing to the brine port on the valve

#### Step 6 - Install Drain Line Hose Barb

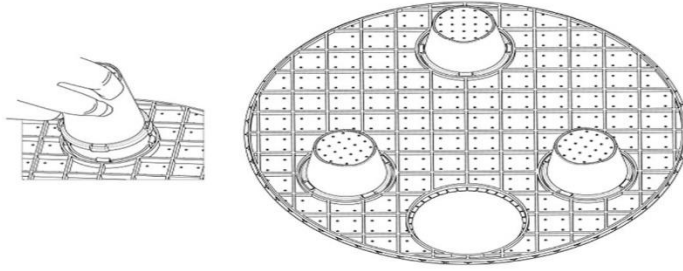


#### Step 8 - Attaching Brine Tubing to the Brine Line of the Valve

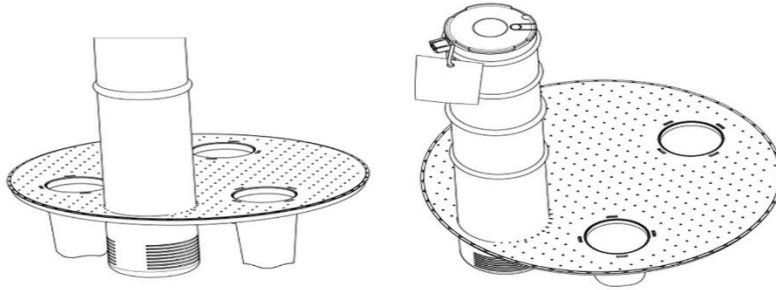


## Brine Tank Setup

- a.** Attach the three brine grid legs to grid plate. The legs will snap on to the tabs of the salt plate making a “click” sound. For square brine tank there are four legs.

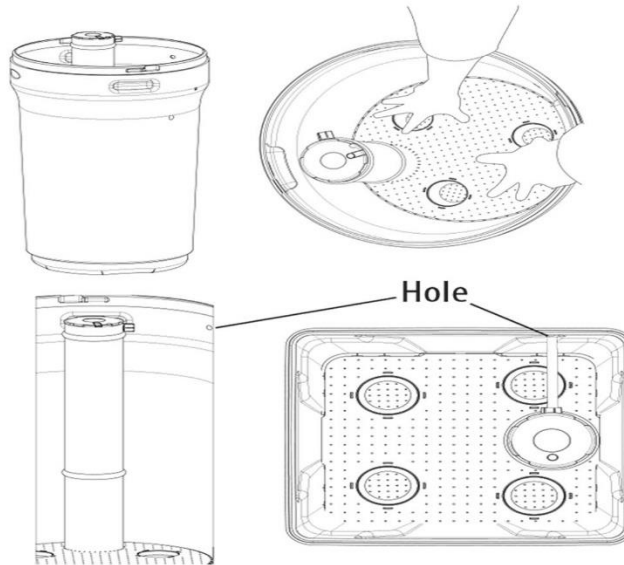


- b.** Insert the brine well assembly inside the grid plate as well below.



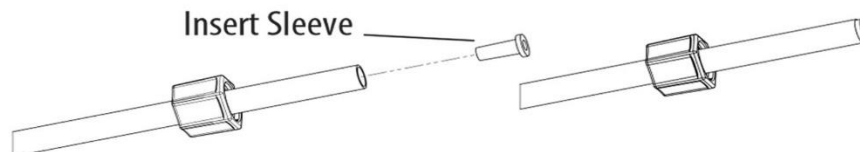
- c.** Drop the brine grid with brine well inside the brine tank such that the nut fitting faces the hole on the brine tank. Then press the grid evenly inside the brine tank until the brine grid legs touches the bottom of the brine tank.

**IMPORTANT: IN ROUND BRINE TANK, IT IS IMPORTANT TO ALIGN THE HANDLE TO THE BRINE WELL AS SHOWN**

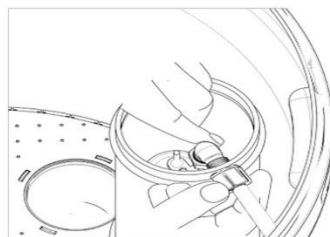


The hole in the brine tank should line up with the brine line as shown for round and square brine tank.

- d.** Take the brine tube and insert the nut and plastic sleeve as shown below.



- e.** Insert the tube in the float assembly elbow and hand tighten the nut. In many cases the brine line already come installed from the factory.



## Programming Your New SofPro Elite Valve

Press the MENU key to enter the programming menu. Scroll UP or DOWN to get to the item you need to adjust. Press SET to select the value you need to adjust.



TIME OF DAY  
12:01 PM

### SET TIME/DATE

This value should be selected and time/date to the appropriate time and date. Be sure to hit SET after setting your values.

YEAR  
2014

### SET HARDNESS

You can find this number on your water report. If it is not listed in GPG then divide by 17.1 to get GPG. If you have iron in your water add 5 GPG per every 1 PPM or MG/L of iron.

MONTH  
November

DAY  
28

SET HARDNESS  
15

**After all installation and programming is complete, wait 6 hours and then perform a manual regeneration**

**Note: This system does not backwash every regeneration. Do not be alarmed if you do not see backwash your first few regeneration cycles. Most only backwash every 6 to 10 Regenerations.**

## Putting your Softpro Elite Water Softener in service

1. Add at least 5 gallons of water to the brine tank
2. Add at least 1 bag of salt to the brine tank
3. Plug the transformer into a 110V outlet, connect the power cord to the valve. When the power comes in the valve may say "Initializing please wait" while it moves in to position.
4. Press The MENU button and scroll down to Regeneration, Select "Now". This will Initiate an immediate regeneration.
5. Once the regeneration begins slowly open the INLET side of the bypass valve and let water in to the unit.
6. Allow the unit to fill before opening the INLET fully, then let the water run from the drainline for 3 to 4 minutes or until drainline runs clear.
7. Press any button to advance to the REFILL position. Check to make sure that the brine tank is filling with water. Let the entire Refill cycle run to insure enough brine solution for the next regeneration.
8. The valve will now automatically advance back to the SERVICE position. Open the OUTLET side of the bypass valve , now find the closest treated faucet to the outlet of the system and remove the aerator screen. Slowly turn on the faucet and let the water run until clear. Turn off faucet and replace screen.

Your Softpro Elite Water Softener is ready for use! Enjoy!