



# Katalox Iron Filter Installation and setup guide

Check all packages and make sure all items are present prior to installing.

## Installing Media in to the Tank

- Center distributor tube and Cover distributor tube with a cap or Tape
- Use provided funnel to add all Gravel in tank followed by all the katalox media you received.
- Remove Tape then Follow Installation and startup instructions on the next page

Items you will need for installation:

UV Resistant Drain tubing ½ ID aka 5/8" OD, by it by the foot at hardware store.

Hose clamp to secure the drainline to the drain barb on the control valve

Plumbing material pipe, and fittings. Please note that we do have 18" quick connect hoses to make installation easier that are offered to you when you are making your purchase online, hoses can only be purchased at the listed price at the time of order but are available separately at a later date if you would like them please contact us for a quote.

3/8" Female cap to plug brine port on the Softpro Valve

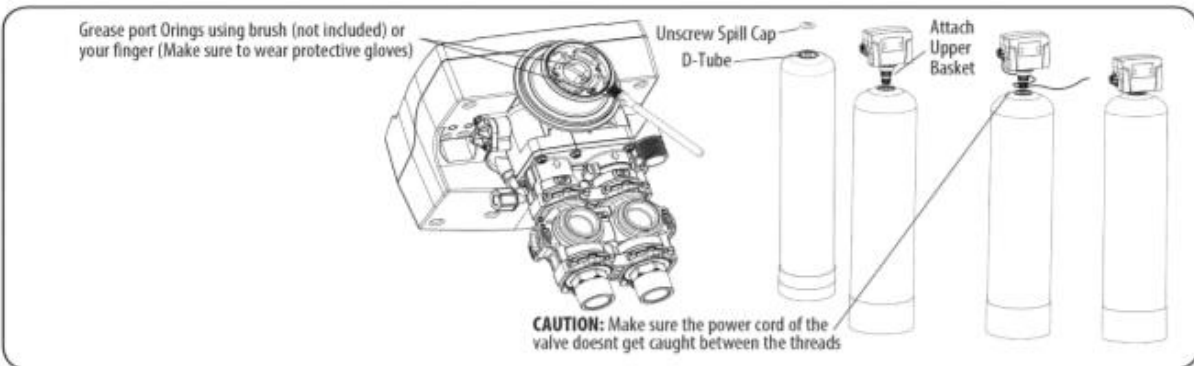
## Installation and Start Up

Before you begin your installation, we always recommend that you check with local plumbing codes to see how and where you can run your drainline.

Be sure to grease all orings to help avoid pinching

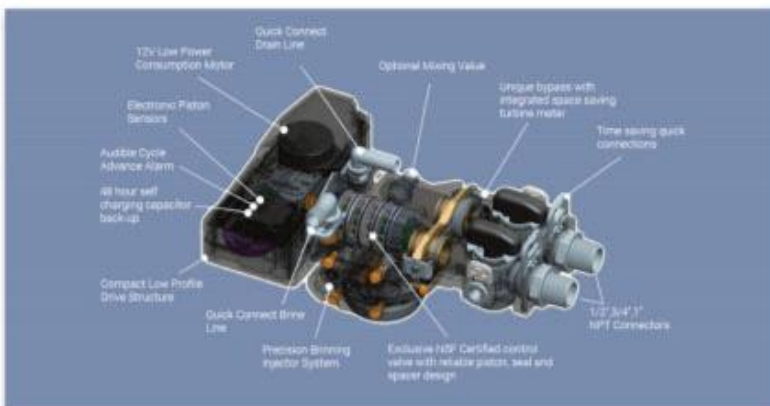
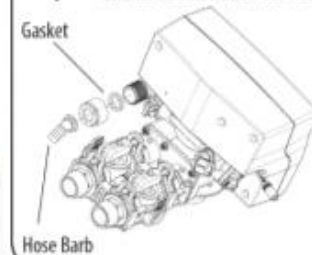
### Installation and Startup - Installing valve

1. Select an installation location that is near a 110V power outlet and a spot that you can run the drainline to.
2. Again, be sure to lube the bottom Valve Orings with the grease supplied.
3. Attach the upper basket
4. Unscrew the spill cap
5. Carefully slide the D-tube (distributor tube) inside the Valve and screw the valve on to the tank making sure that the power cord does not get stuck between the valve and the tank.



6. Attach the drainline hose Barb to the drainline port
7. Attach the drainline to the barb and run to the drain

### Step 6 -install Drain Line HoseBarb



**Note: # 7 above use a hose clamp to secure drain line to barb on control valve.**

## Programming your Katalox Iron Filter

Watch the programming step by step video here:

<https://qualitywatertreatment.com/pages/how-to-install-a-water-softener-iron-filter-acid-filter-well-water-systems-carbon-filter-ozone-system>

If you have questions please contact us by email

[sales@qualitywatertreatment.com](mailto:sales@qualitywatertreatment.com) or use our live chat on our website

[www.qualitywatertreatment.com](http://www.qualitywatertreatment.com) or call toll free 866-278-4130 M-F from 9 am to 7 pm CST or use our live chat or email 7 days a week.