



BioStyle

20, 30, 30 Thermo, 50, 50 Thermo

Operating instructions

Notice d'emploi

Instrucciones de uso

IMPORTANT SAFETY INSTRUCTIONS

READ AND FOLLOW ALL SAFETY INSTRUCTIONS

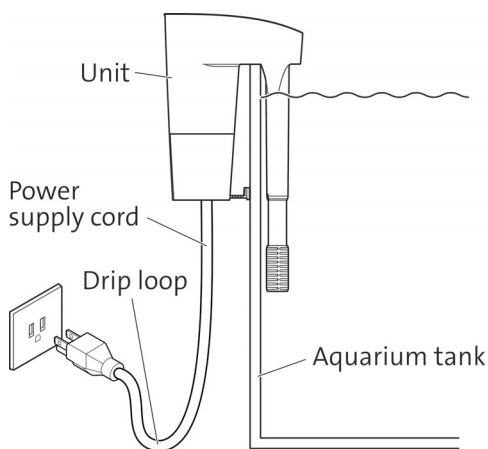
- Close supervision is necessary when the unit is used by or near children.
- To avoid injury, do not contact moving parts or hot parts, and the like.
- Always unplug the unit from an outlet when not in use, before putting on or taking off parts, and before cleaning. Never yank cord to pull plug from outlet. Grasp the plug and pull to disconnect.
- Do not use the unit for other than intended use. The use of attachments not recommended or sold by the unit manufacturer may cause an unsafe condition.
- Do not install or store the unit where it will be exposed to the weather or to temperatures below freezing.
- Make sure the unit mounted on a tank is securely installed before operating it.
- Read and observe all the important notices on the unit.
- If an extension cord is necessary, a cord with a proper rating should be used. A cord rated for less amperes or watts than the unit rating may overheat. Care should be taken to arrange the cord so that it will not be tripped over or pulled.
- Only connect the unit if the electrical data of the unit and the power supply match.
- Do not use the unit as a toy. Close attention is necessary when the product is used by or near children.
- Do not use the unit, if electrical lines or the housing are damaged.
- A damaged connection cable cannot be replaced. Dispose of the unit.
- Do not carry or pull the unit by its power cable.
- Should problems occur, please contact the authorized customer service or OASE.

SAVE THESE INSTRUCTIONS

⚠ DANGER

To avoid possible electric shock, special care should be taken since water is employed in the use of aquarium equipment. For each of the following situations, do not attempt repairs by yourself, return the unit to an authorized service facility for service or discard the unit.

- ▶ If the unit falls into the water, don't reach for it! First unplug it and then retrieve it. If electrical components of the unit get wet, unplug the unit immediately.
- ▶ Carefully examine the unit after installation. It should not be plugged in if there is water on parts not intended to be wet.
- ▶ Do not operate any unit if it has a damaged cord or plug, or if it is malfunctioning or has been dropped or damaged in any manner.
- ▶ To avoid the possibility of the unit plug or receptacle getting wet, position aquarium stand and tank to one side of a wall-mounted receptacle to prevent water from dripping onto the receptacle or plug. A "drip loop," shown in the figure below, should be arranged by the user for each cord connecting an aquarium unit to a receptacle. The "drip loop" is that part of the cord below the level of the receptacle, or the connector if an extension cord is used, to prevent water traveling along the cord and coming in contact with the receptacle. If the plug or receptacle does get wet, don't unplug the cord. Disconnect the fuse or circuit breaker that supplies power to the unit. Then, unplug and examine for presence of water in the receptacle.



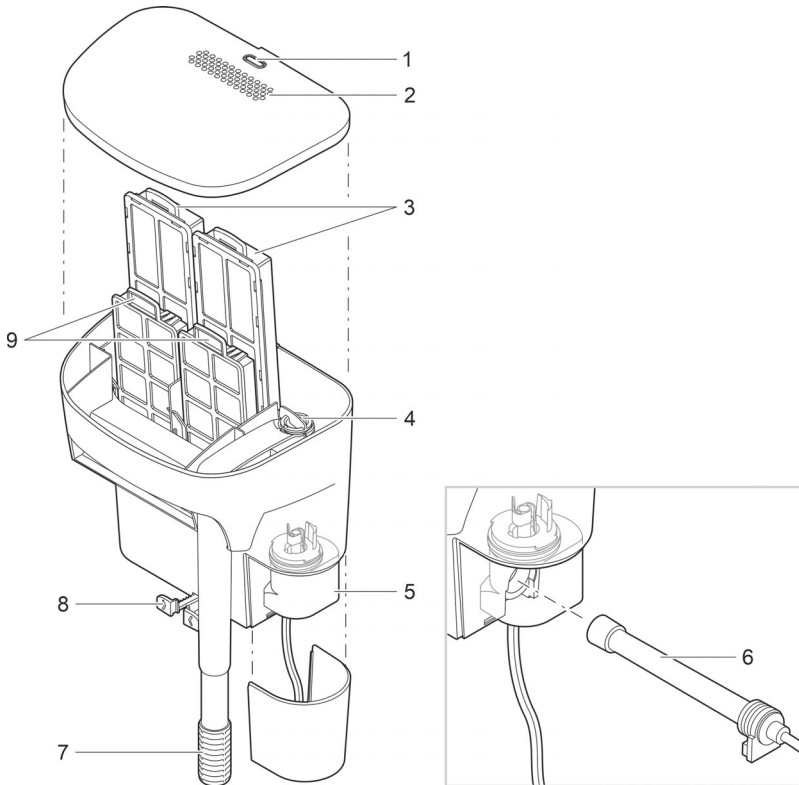
BBSE0015

Contents

Product description	5
Overview.....	5
Symbols on the unit.....	6
Intended use.....	6
Questions, problems, missing parts?.....	6
Installation	7
Prepare filter cartridge.....	7
Attach filter.....	7
Commissioning/start-up.....	8
Maintenance and cleaning	9
Replace filter media	9
Cleaning the filter housing.....	10
Cleaning/replacing the impeller unit.....	11
Remove / install heater.....	12
Troubleshooting	12
Technical data	13
Wear parts.....	14
Disposal.....	14

Product description

Overview



BSE0016

- | | |
|---|--|
| 1 | Maintenance indicator, shows when you have to change or clean the filter media |
| 2 | Ventilation openings |
| 3 | Filter cartridge (BioStyle 20: 1x, BioStyle 30: 2x, BioStyle 50: 3x) |
| 4 | Flow regulator, adjusting the amount of water flowing through the filter |
| 5 | Pump |
| 6 | Heater, only available with the "Thermo" version |
| 7 | Suction pipe, adjustable in length |
| 8 | Spacer, adjustable, for alignment and stabilization of the filter |
| 9 | Filter foam (BioStyle 20: 1x, BioStyle 30: 2x, BioStyle 50: 3x) |

Symbols on the unit

IPX8



The device is dustproof and waterproof to 3.3 ft (1 m).

IPX4

The unit is protected against the ingress of splash water.



Use the device indoors only.



Do not dispose of the unit with normal household waste.



Read the operating instructions.

Intended use

Only use the product described in this manual as follows:

- Filter and circulate water.
- "Thermo" version: Heat, filter and circulate water.
- Use for private purposes only.
- Operate the product in compliance with the technical data.

The following restrictions apply to the unit:

- Never use the unit with fluids other than water.
- Do not use in conjunction with chemicals, foodstuff, easily flammable or explosive substances.
- Do not use for commercial or industrial purposes.
- Never run the unit without water.

Questions, problems, missing parts?

Before returning to your retailer, call us at 1-866-627-3435, EST, Monday-Friday, or email us at customer@oase.com.

Installation

Prepare filter cartridge

- ① Thoroughly rinse all filter materials with cold water before the first use. Do not open the Multi-stage filter cartridges.

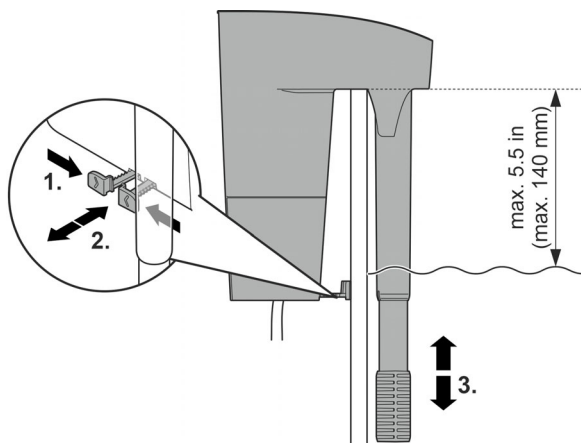
Attach filter

How to proceed:

1. Place the filter on the aquarium rim so that the filter hangs vertically on the side of aquarium.
2. Use the adjustable leveler to align the filter.
 - The adjustable leveler holds the filter vertically and supports it against the aquarium wall.
3. Extend the telescopic intake to the desired height.
 - Make sure that no aquarium substrate (e.g. sand) is sucked in.

Requirements for reliable water intake:

- Do not let the water level drop more than 5.5 in from the aquarium rim. This will ensure that the pump draws in the water safely, e.g. after a power failure.
- Fill the filter housing completely with water (before the first start-up and after cleaning the filter housing).



BSE0002

Commissioning/start-up

NOTE

BioStyle 30 Thermo, 50 Thermo:

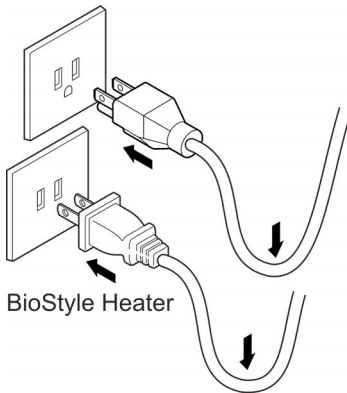
Fire hazard due to highly flammable material on hot surface.

► Only switch on the heater when it is completely submerged in water.

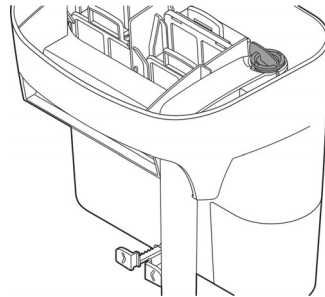
① If there is air in the telescopic intake, it may take up to 3 minutes for the pump to deliver water.

- **Switching on:** Plug the power plug into the outlet.
 - The unit switches on immediately.
 - Lay the power supply cord so that a drip loop is formed and the lowest point is below the socket. This prevents dripping water from entering the socket.
 - Set the desired flow rate.
- **Switching off:** Pull the power plug from the outlet.

Form drip loop



Adjust flow rate



BSE0024

BSE0013

Maintenance and cleaning

⚠ WARNING

Serious injury or death from electric shock is possible.

- ▶ Disconnect all electrical devices in the water from the power supply before reaching into the water.
- ▶ Disconnect the device from the power supply before starting work on the unit.

NOTE

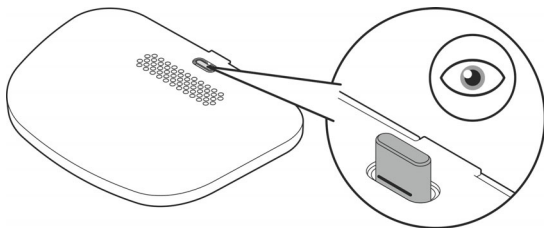
Do not use aggressive cleaning agents or chemical solutions. These agents can damage the housing, impair the function of the device and harm animals, plants and the environment.

- ▶ Clean the unit only with clean water and a soft brush or sponge.

Replace filter media

If the cleaning indicator has risen high enough that the line is visible, the filter capacity is no longer sufficient. You must replace or clean the filter media.

- ① The filter foam is also available without a frame. You can reuse the frame. This protects the environment.



BSE0005

Cleaning the filter housing

⚠ CAUTION

Risk of burns from hot surface.

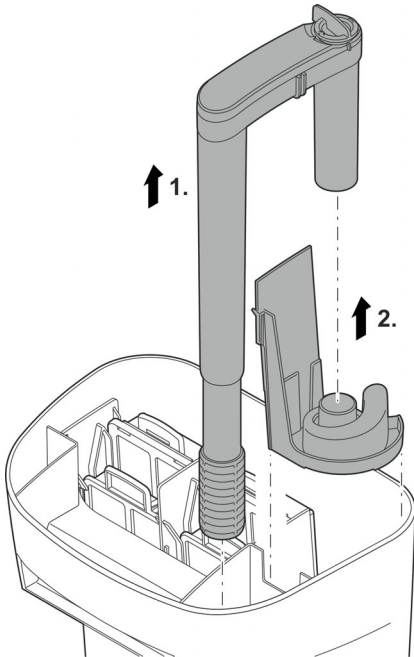
- ▶ Turn the heater off and let it cool down before removing it from the water.

NOTE

Fire hazard due to highly flammable material on hot surface.

- ▶ Turn the heater off and let it cool down before removing it from the water.
- ▶ Do not leave the heater unattended after removing it from the water.

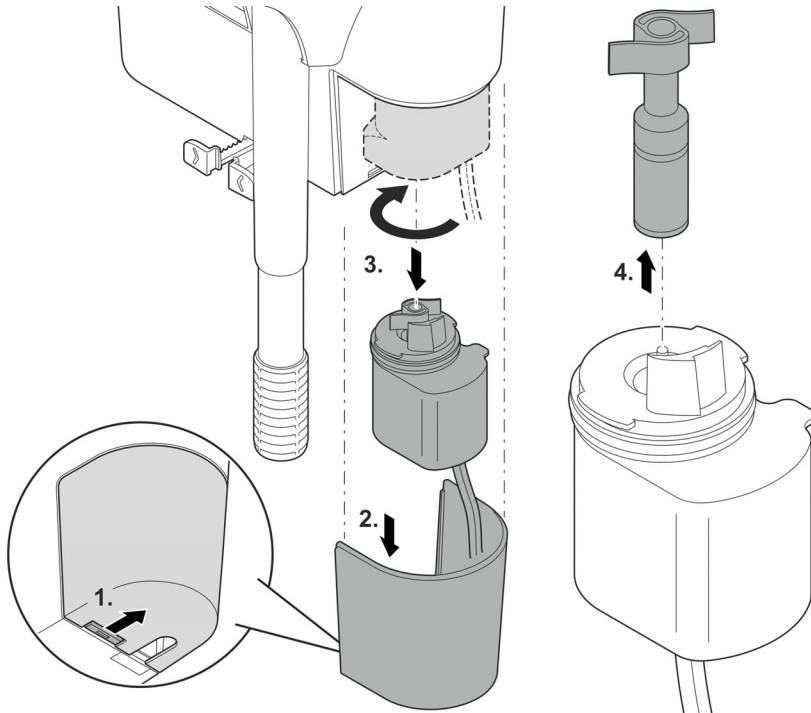
For thorough cleaning of the filter housing, remove all filter media, the telescopic intake, and the partition wall.



BSE0007

Cleaning/replacing the impeller unit

- Unplug the filter unit.
- Remove the filter unit from the aquarium.
- Drain the filter housing completely before removing the pump.



BSE0006

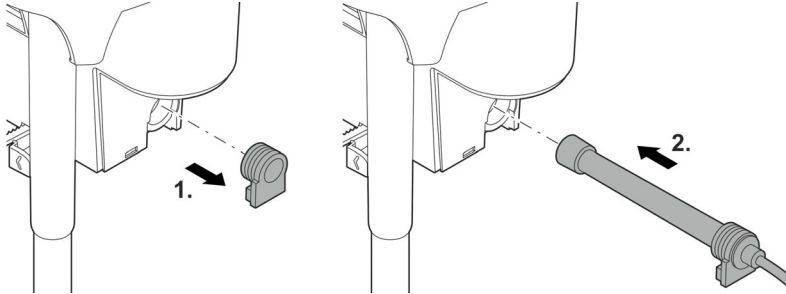
Remove / install heater

You can remove or install the heater to

- Retrofit your filter with a heater,
- Thoroughly clean the filter housing,
- Replace a defective heater.

Prerequisite:

- The pump is removed.



BSE0008

Troubleshooting

Malfunction	Possible cause	Remedy
Pump does not start up	Insufficient power	Check the power supply cord
	Impeller unit blocked	Cleaning
Insufficient water flow	Filter housing or impeller dirty	Cleaning
	Impeller unit worn out	Replace impeller unit
	Filter media dirty	Replace filter media
	Telescopic intake blocked	Clean telescopic intake
	Telescopic intake and partition wall not assembled correctly	Assemble telescopic intake and partition wall correctly
Filtration insufficient	Filter media soiled or worn	Replace filter media
	Filter housing clogged	Clean filter housing
Water heating insufficient (only "Thermo" version)	Insufficient power for heater missing	Check the power supply cord
	Heater defective	Replace

Technical data

	BioStyle	20	30	30 Thermo	50	50 Thermo	
Pump	Rated voltage	AC V	120	120	120	120	
	Mains frequency	Hz	60	60	60	60	
	Power consumption	W	4.5	5.0	5.0	5.5	
	Protection class	–	IPX4	IPX4	IPX4	IPX4	
	Length of connection cable	ft	6	6	6	6	6
		m	1.8	1.8	1.8	1.8	1.8
	Max. delivery rate	gph	100	150	150	250	250
l/h		380	560	560	950	950	
Heater	Rated voltage	AC V	–	–	120	–	
	Mains frequency	Hz	–	–	60	–	
	Max. power consumption	W	–	–	110	–	
	Max. current consumption	A	–	–	0.92	–	
	Protection class	–	–	–	IPX8	–	
	Length of connection cable	ft	–	–	6	–	
		m	–	–	1.8	–	
	Max. immersion depth	ft	–	–	0.35	–	
m		–	–	1	–		
Dimensions	Length	in	6.0	8.5	8.5	11.0	
	Width	in	5.25	6.0	6.0	6.75	
	Height	in	8.5	8.5	8.5	8.5	
	Length	mm	152	216	216	279	
	Width	mm	133	152	152	171	
Height	mm	216	216	216	216	216	
Max. size aquarium	gal	20	30	30	50	50	
	l	75	115	115	190	190	
Weight	lbs	2.0	2.4	2.73	2.9	3.28	
	kg	0.9	1.1	1.25	1.3	1.47	

Wear parts

The following components are wear parts and are excluded from the warranty.

- Filter media
- Impeller unit

Disposal

NOTE

Do not dispose of this unit with household waste.

- ▶ Contact your local waste disposal company for instructions on proper disposal of the unit.
 - ▶ Render the unit unusable by cutting the cables.
-

OASE North America Inc.
1-866-627-3435

customercare@oase.com
www.oase-livingwater.com