



WHAT'S INSIDE MATTERS[®]

M500

POWERFUL CLEANING
AT JUST 9 POUNDS

**OWNER'S
MANUAL**

Getting Started

Important Safety Instructions	2
Polarization Instructions	3
State of California Proposition 65 Warnings	3
Description of the Vacuum	4
Assembling the Vacuum	5

Operation

Reclining the Handle	6
On/Off Switch	6
Edge Cleaning	6
Automatic Carpet Height Adjustment	6
Bare Floor Cleaning	6

Maintenance and Care

Annual Checkup	7
Power Cord Care	7
Replacing the Vacuum Bag	8
Removing/Reinstalling the Bottom Plate	9
Replacing the Agitator Belt	10
Resetting the Circuit Breaker	11
Replacing the Squeegee	11

Problem Solving Guide

Troubleshooting	12
Visit Maytag Vacuums Online	12
Telephone Customer Support	12
Key Replacement Parts	12
For Best Performance	12

Warranty	13
-----------------------	-----------

IMPORTANT SAFETY INSTRUCTIONS

When using an electrical appliance, basic precautions should always be followed, including the following:

READ ALL INSTRUCTIONS BEFORE USING THIS APPLIANCE

IMPORTANT: The manufacturer cannot accept responsibility for damage caused when the appliance is not used according to the instructions, or for uses other than those for which it was intended.

To reduce the risk of fire, electric shock or injury:

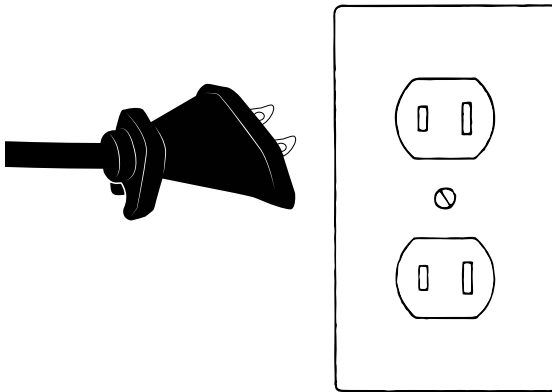
- Do not leave appliance when plugged in. Unplug from outlet when not in use and before servicing.
- Do not use outdoors or on wet surfaces.
- Do not allow to be used as a toy. Close attention is necessary when used by or near children.
- Use only as described in this manual.
- Do not use with damaged cord or plug. If appliance is not working as it should, has been dropped, damaged, left outdoors, or dropped into water, return it to your Authorized Maytag Vacuum Service Center for service.
- Do not pull or carry by cord, use cord as a handle, close a door on the cord, or pull cord around sharp edges or corners. Do not run appliance over cord. Keep cord away from heated surfaces.
- Do not unplug by pulling on cord. To unplug, grasp the plug, not the cord.
- Do not handle plug or appliance with wet hands.
- Do not put any object into openings. Do not use with any opening blocked; keep free of dust, lint, hair and anything that may reduce air flow.
- Keep hair, loose clothing, fingers and all parts of body away from openings and moving parts.
- Do not pick up anything that is burning or smoking, such as cigarettes, matches or hot ashes.
- Do not use without vacuum bag in place.
- Turn off all controls before unplugging.
- Use extra care when cleaning on stairs.
- Do not use to pick up flammable or combustible liquids such as gasoline or use in areas where they may be present.
- Do not attempt to service the unit while appliance is plugged in.

SAVE THESE INSTRUCTIONS.

POLARIZATION INSTRUCTIONS

Power Cord, 2-Wire Polarized Cord

To reduce the risk of electric shock, this product is equipped with a polarized alternating current line plug (a plug having one blade wider than the other). This plug will fit into the power outlet only one way. This is a safety feature. If you are unable to insert the plug fully into the outlet, try reversing the plug. If the plug should still fail to fit, contact a qualified electrician to replace the obsolete outlet. Do not defeat the safety purpose of the polarized plug.

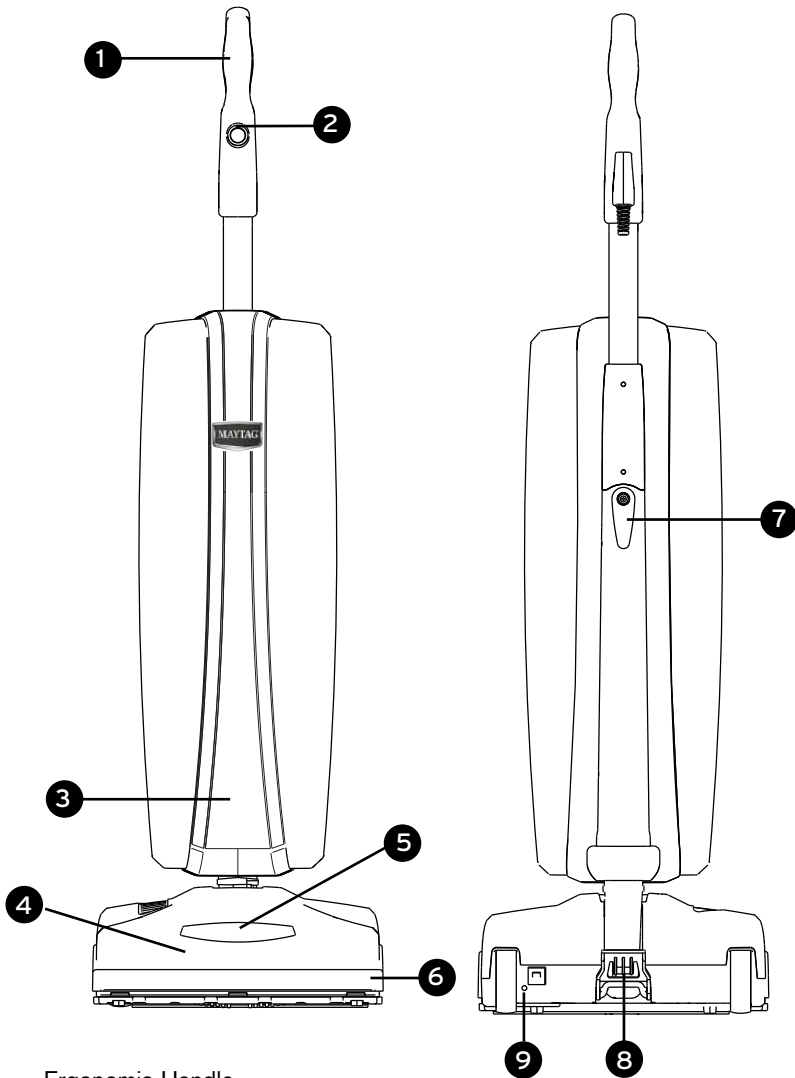


State of California Proposition 65 Warnings:

WARNING: This product contains one or more chemicals known to the State of California to cause cancer.

WARNING: This product contains one or more chemicals known to the State of California to cause birth defects or other reproductive harm.

DESCRIPTION OF THE VACUUM



- 1 Ergonomic Handle
- 2 On / Off Power Switch
- 3 Bag Compartment
- 4 Vacuum Nozzle
- 5 Headlight
- 6 Furniture Guard
- 7 Quick Release Cord Hook
- 8 Handle Release Pedal
- 9 Circuit Breaker Reset Button

Attaching the Handle to the Vacuum

NOTE: Do not plug in the vacuum until it is completely assembled.

The vacuum cleaner and the handle are packed separately and require assembly.

- Thread the cord through the lower and upper cord guides on back of the vacuum bag. (Fig. 1).
- Remove the handle bracket by removing the two screws (Fig. 2).
- Place handle onto the back of the vacuum, aligning holes with pegs (Fig. 3).
- Place the handle bracket back into position (Fig. 4).
- Secure with two screws removed in Step 2.
- Open the bag compartment to ensure a vacuum bag is in place.
- Your vacuum is now ready for use.
- If storing the vacuum, wrap the cord clockwise around the top and bottom cord hooks. Fasten the plug to the wrapped cord using the channel on the plug.

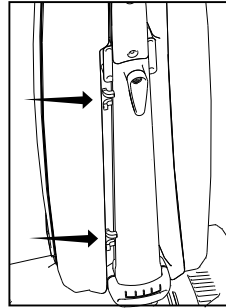


Fig. 1

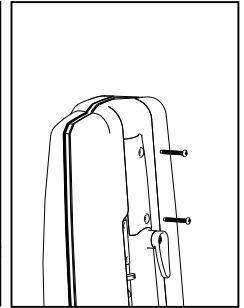


Fig. 2

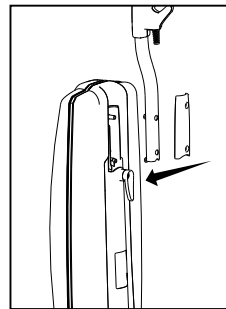


Fig. 3

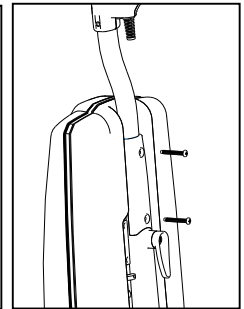
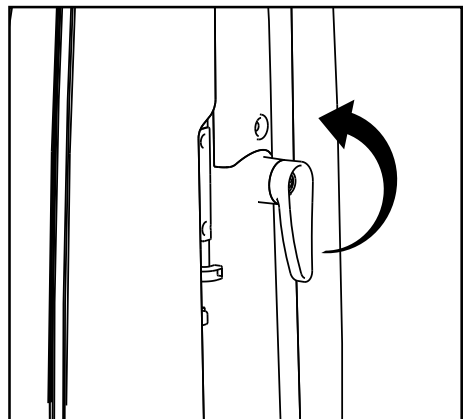


Fig. 4

Unwinding the Power Cord

- The lower cord hook rotates to allow for quick access to the power cord. Turn the lower cord hook upward and you can quickly drop the power cord to the floor without unwinding it from the cord hooks.
- When storing the vacuum cleaner, turn the lower cord hook to the downward position and wind the power cord around the cord storage hooks.



OPERATION

This vacuum is intended for household use only.

Reclining the Handle

- Press the handle release pedal located on the back of the vacuum with your foot to recline the handle.

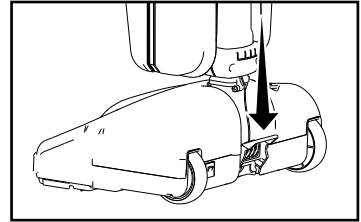


Fig. 1

On/Off Switch

- The power switch located on the vacuum handle, is a three-way switch (Fig. 2). The middle position is the “Off” setting, the rear position is the “On” setting and the forward position is for “Maximum Power” (Fig. 3).
- Use the “Maximum Power” setting for carpet cleaning. Use the “On” setting for cleaning bare floors and throw rugs. Always turn the vacuum cleaner to the “Off” setting before unplugging it from the electrical outlet.

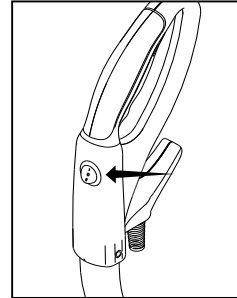


Fig. 2

Edge Cleaning

The edge cleaning feature provides improved cleaning near walls and stationary furniture. For maximum edge cleaning, place the left side of the nozzle, from the user’s perspective, against the wall or stationary furniture.

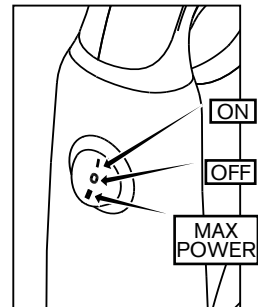


Fig. 3

Automatic Carpet Height Adjustment

Your vacuum is designed with an automatic self-adjusting nozzle. No manual adjustments are required. The height of the nozzle automatically adjusts to the flooring surface. This self-adjusting feature allows the nozzle to float evenly over all flooring surfaces.

Bare Floor Cleaning

Your vacuum is equipped with a squeegee on the bottom of the vacuum to improve its effectiveness in cleaning bare floors (Fig. 4). When cleaning tile, hardwood, vinyl, etc., use the “On” setting for best results.

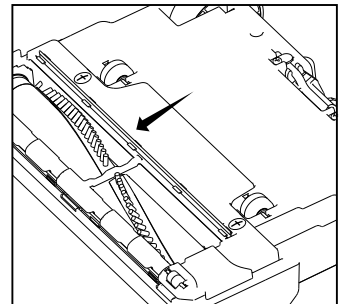


Fig. 4

Annual Checkup

To keep your vacuum in peak operating condition, it is recommended you bring your vacuum to an Authorized Maytag Vacuum Service Center for an annual checkup. The Service Center will conduct a comprehensive examination to ensure your vacuum is in top operating condition.

Power Cord Care

- If cord or plug has any apparent damage, refrain from using the vacuum. Please visit an Authorized Maytag Vacuum Service Center for a new cord or plug.
- When vacuum is in use, hold the cord to keep from running over it.
- Avoid obstructions and do not pull cord around sharp edges or corners.
- Always keep cord away from heated surfaces and never close doors on it as this may cause damage to the wiring.
- To unplug, always grasp the plug, not the cord.

MAINTENANCE AND CARE

Replacing the Vacuum Bag

NOTE: Unplug the vacuum cleaner from the electrical outlet before changing the bag.

- Unzip the bag compartment.
- Remove the used vacuum bag by pulling the green bag collar tab away from the vacuum (Fig. 1). Slide the used bag out of the bag holder which automatically seals the bag opening (Fig. 2). Discard the used bag.
- To install a new bag, slide the bottom of the green bag collar into the bag holder until it snaps into place (Fig. 3).
- Push the top of the bag collar upward until the collar “snaps” into place on the vacuum (Fig. 4).
- Tuck the bag corners into the bag compartment then zip the bag compartment closed.

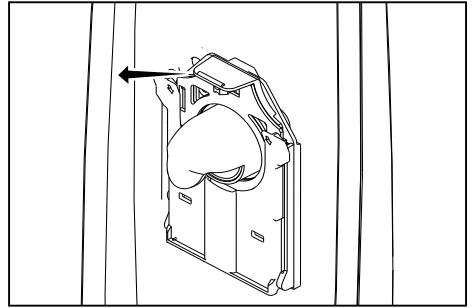


Fig. 1

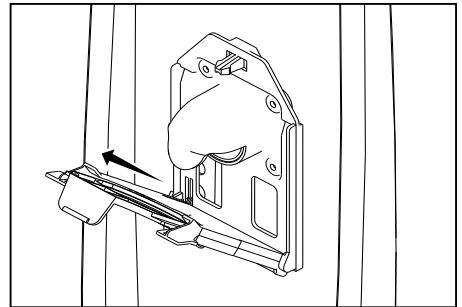


Fig. 2

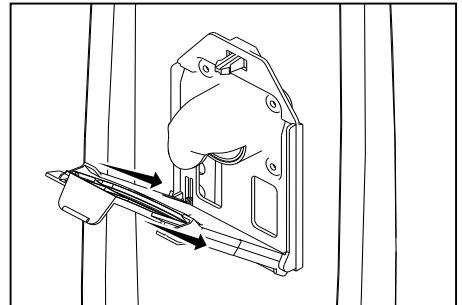


Fig. 3

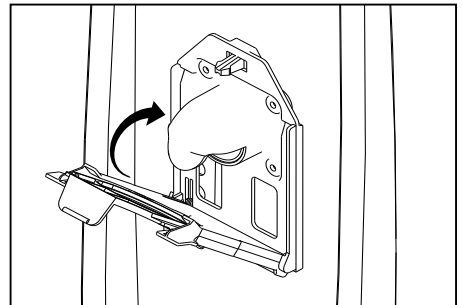


Fig. 4

Removing and Reinstalling the Bottom Plate

WARNING! To Reduce the Risk of Electrical Shock or Injury From Moving Parts, Unplug Before Servicing or Cleaning.

To Remove the Bottom Plate:

- Press the handle release pedal to place the vacuum cleaner in the flat position.
- Turn the vacuum cleaner over exposing the bottom plate.
- Turn the two screws a quarter turn to release the bottom plate (Fig. 1). Remove the bottom plate.
- Reinstall the bottom plate by aligning the front edge of the bottom plate into the notches inside the nozzle housing (Fig. 2).
- Press the bottom plate into position until the plate “clicks” on both sides. Tighten the two screws a quarter turn to secure the bottom plate.

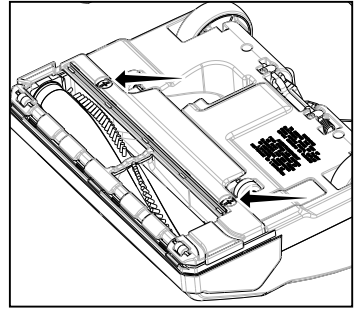


Fig. 1

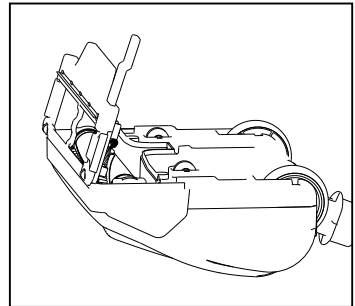


Fig. 2

MAINTENANCE AND CARE

Replacing the Agitator Belt

WARNING! To Reduce the Risk of Electrical Shock or Injury From Moving Parts, Unplug Before Servicing or Cleaning.

NOTE: To ensure maximum cleaning efficiency, the belt should be checked regularly to be sure it is in good condition. Check to see if the belt is stretched, cracked, or if excessive slipping is occurring. Replace if needed.

- Remove the bottom plate (see page 9).
- Remove the brushroll and the worn or broken belt from the brushroll pulley and the motor drive shaft (Fig. 1).
- Loop the new belt around the motor drive shaft and the brushroll (Fig. 2).
- Reinstall the brushroll into the housing. Turn the brushroll by hand, making sure the belt is not twisted and all rotating parts move smoothly.
- Reinstall the bottom plate (see page 9).

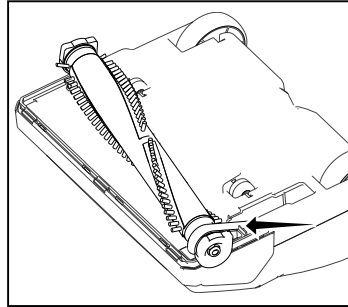


Fig. 1

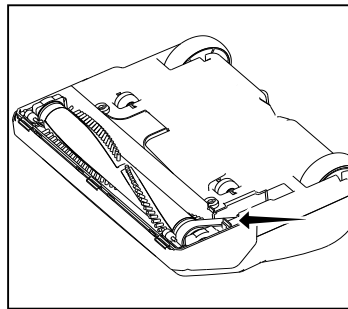


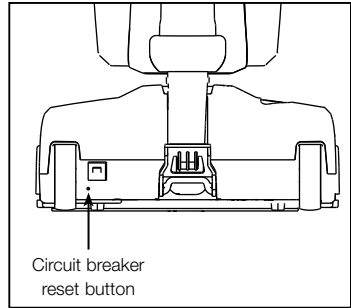
Fig. 2

Resetting the Circuit Breaker

WARNING! To Reduce the Risk of Electrical Shock or Injury From Moving Parts, Unplug Before Servicing or Cleaning.

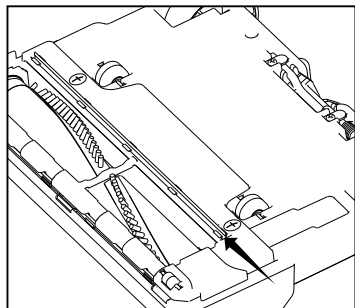
Your vacuum features a circuit breaker to protect the machine against damage due to a surge in the electrical current. Electrical surging can be a result of, though not limited to, a jammed motor fan.

Should your vacuum cleaner experience a jammed brushroll with the circuit breaker tripping, first turn the vacuum off and unplug the unit. Inspect the brushroll by removing the bottom plate (see page 9) and remove any debris that may be causing the jam. Reinstall the bottom plate (see page 9) and reset the circuit breaker by pressing the Circuit Breaker Reset Button. Plug in the power cord and turn on the vacuum. If the vacuum fails to turn on, visit an Authorized Maytag Service Center for assistance.



Replacing the Squeegee

If your squeegee splits or begins to look worn, simply slide the worn squeegee from its track and slide a new one into the track. If you have trouble installing the new squeegee, please visit an Authorized Maytag Vacuum Service Center for help.



PROBLEM SOLVING GUIDE

Trouble Shooting

WARNING! To Reduce the Risk of Electrical Shock or Injury From Moving Parts, Unplug Before Servicing or Cleaning.

CAUTION! To reduce the risk of electric shock, do not handle plug or appliance with wet hands.

PROBLEM	POSSIBLE REASON	POSSIBLE SOLUTION
Vacuum won't turn on	<ul style="list-style-type: none">• Power cord not firmly plugged in• Blown fuse or tripped breaker• Needs service	<ul style="list-style-type: none">• Plug unit in firmly• Check house fuse or breaker. Replace fuse / reset breaker.• Take to Authorized Maytag Vacuum Service Center
Vacuum won't pick up or low suction	<ul style="list-style-type: none">• Vacuum bag full• Broken belt• Worn brushroll	<ul style="list-style-type: none">• Install new bag• Replace belt• Replace brushroll
Dust escaping from vacuum	<ul style="list-style-type: none">• Vacuum bag not installed properly	<ul style="list-style-type: none">• Install bag properly. Review bag installation (page 8)

Any other service should be done by an Authorized Maytag Vacuum Service Center. To locate your nearest service center, visit our website at www.MaytagVacuums.com. For telephone customer support please call 1-855-653-1114.

Key Replacement Parts

- Genuine HEPA Media Vacuum Bags: **M5H-6**
- Genuine Vacuum Belts: **M5B-2**

For Best Performance

- Keep your vacuum clean and in good operating condition.
- Change vacuum bags once a month or when the bags are 2/3 full to maximize cleaning performance.
- Always use genuine Maytag™ vacuum bags and replacement parts. Use of other products may result in poor cleaning performance, potential vacuum cleaner damage and may void vacuum warranty. Genuine products are designed for maximum cleaning performance.
- Have your vacuum checked annually by your Authorized Maytag Vacuum Service Center.
- Store your vacuum carefully in a dry area.
- For optimum cleaning performance and safety, follow your owner's manual instructions.

What is Covered:

This warranty covers any defects in material and workmanship in your new Maytag™ vacuum and applies exclusively to the original purchaser.

How Long Coverage Lasts:

Warranty coverage for your vacuum lasts three years. Household models used commercially are only warranted for 90 days.

What is Not Covered:

- Damage to the vacuum which occurs from neglect, abuse, alterations, accident, misuse or improper maintenance.
- Normal replacement items: disposable bags and belts.

What We Will Do:

This warranty provides, at no cost to you, all labor and parts to keep this vacuum in correct operating condition during the warranted period.

How to Get Service:

Warranty service can only be obtained by presenting the vacuum to an Authorized Maytag Vacuum Service Center. A proof-of-purchase and product serial number will be required before service is rendered. To locate your nearest service center, please call 1-855-653-1114 or visit www.MaytagVacuums.com.

THIS WARRANTY IS EXCLUSIVE AND IN LIEU OF ANY AND ALL OTHER WARRANTIES WHETHER WRITTEN, ORAL, EXPRESSED OR IMPLIED, (INCLUDING ANY WARRANTY OF MERCHANTABILITY OR FITNESS FOR A PARTICULAR PURPOSE). THIS WARRANTY DISCLAIMS LIABILITY FOR INCIDENTAL, OR CONSEQUENTIAL DAMAGES.

How State Law Applies:

This warranty gives you specific legal rights, and you may also have other rights which vary from state to state.

Register your warranty online at www.MaytagVacuums.com

OWNER'S WARRANTY INFORMATION

keep this for your records...

Date of purchase _____

Serial number _____

Model number _____

Purchased from:

Store name _____

Address _____

City, State, Zip _____

Telephone _____



WHAT'S INSIDE MATTERS®

MAYTAG™ VACUUMS

1-855-653-1114

www.MaytagVacuums.com