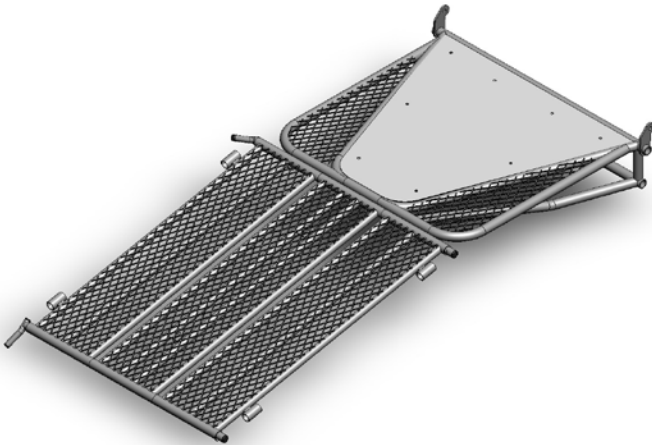


Kendon Stand-Up™ **TRAILERS & LIFTS**

SINGLE RIDE-UP SRL* TRAILER RETROFIT KIT INSTALLATION INSTRUCTIONS

**Suspension Reactive Loading*



KENDON INDUSTRIES, INC.

3711 East La Palma Avenue
Anaheim, CA 92806 USA
Tel 714-630-7144 • Fax 714-630-7132

www.KendonUSA.com

Rev. 071411

Kendon Ride-Up Single SRL Retrofit Kit Instructions

Congratulations on your purchase of a Kendon Single Ride-Up SRL Retrofit Kit. Safety is our number one concern. Before using this product, please take the time to completely read these specific Ride-Up Single retrofit kit instructions and familiarize yourself thoroughly with the parts on your new Single SRL retrofit kit. **In addition to these instructions, be sure to read and follow the instructions in the enclosed Single Ride-Up SRL Stand-Up™ Trailer Instructions manual and the instructions in the Owner's Manual for a Kendon Stand-Up™ Trailer.**

This kit effectively turns your Kendon Single Stand-Up™ Trailer into a Single Ride-Up SRL Stand-Up™ Trailer.

Exactly what is SRL? The acronym is short for "Suspension Reactive Loading," or more simply put, it eliminates the apex created by a traditional ramp angle and the bed of the trailer when loading and unloading. The independent torsion suspension on the Kendon trailer works with the loading ramp to eliminate the apex and creates a smooth parallel surface for loading and unloading. This means that there is a much lower angle when loading/unloading a bike and virtually no point to hit the frame of the bike. The suspension compresses and lowers the bed of the trailer while loading a motorcycle and raises it back up to towing height after the bike is fully loaded onto the trailer.

Read and understand all warnings and warning labels in the kit and trailer before use. Do not remove any warning labels or warning tags.

Towing any trailer, proper loading, unloading and securing of the load is serious business with inherent risks. Serious Injury, Death and/or property damage can result to operator and/or others through improper use of this product.

If you have any questions or need additional help or instructions, please see your local Kendon dealer or contact us directly at 714-630-7144 or info@KendonUSA.com.

If you lost or need additional copies of any of the instructions manuals referenced here, please visit our web site at www.KendonUSA.com or contact us at 714-630-7144 or info@KendonUSA.com.

Visit us at **www.KendonUSA.com** for product updates, new products, and support.

WARNING

Thoroughly read and understand the Instructions Manual for the Single Ride-Up SRL Stand-Up™ Trailer that is included with the retrofit kit.

If you lost or need additional copies of any of the instructions manuals referenced here, please visit our web site at www.KendonUSA.com or contact us at 714-630-7144 or info@KendonUSA.com.

Tools Required

- $\frac{7}{32}$ " Allen Wrench
- $\frac{3}{16}$ " Allen Wrench
- $\frac{9}{16}$ " Combination Wrench
- $\frac{1}{2}$ " Combination Wrench
- $\frac{7}{16}$ " Combination Wrench
- Phillips Screw Driver
- $\frac{1}{4}$ " or $\frac{3}{8}$ " Drive Ratchet
- $\frac{5}{16}$ " \varnothing Drill Bit
- Cordless Drill
- Sharpie/Marker
- Tape Measure

Parts List

- (1) Ride-Up Rear Section
- (1) Outside Left Ramp (Driver's Side)
- (1) Center Loading Ramp
- (1) Outside Right Ramp (Passenger's Side)
- (1) 6" Rubber Latch with Mounting Bracket
- (4) $\frac{5}{16}$ "-18 Coupler Nuts
- (4) $\frac{5}{16}$ " Split Lock Washers
- (4) $\frac{5}{16}$ "-18 T-Bolt Assemblies (with washers)
- (2) 1" \varnothing Ramp Pins
- (1) Single Ride-Up SRL Trailer Retrofit Kit Installation Instructions
- (1) Single Ride-Up SRL Stand-Up™ Trailer Instructions

Retrofit Kit Installation Procedure

Stabilize your trailer so it does not move around while doing the work. This makes it easier and safer. We recommend hooking your trailer up to your tow vehicle and parking on a flat area of your driveway or another similar area.

Leave the rear section of the trailer in the closed position.

Remove the right and left side hinge bolts (Observe the assembly order of nut, bolt and washers as you will be putting them back together in their identical configuration).

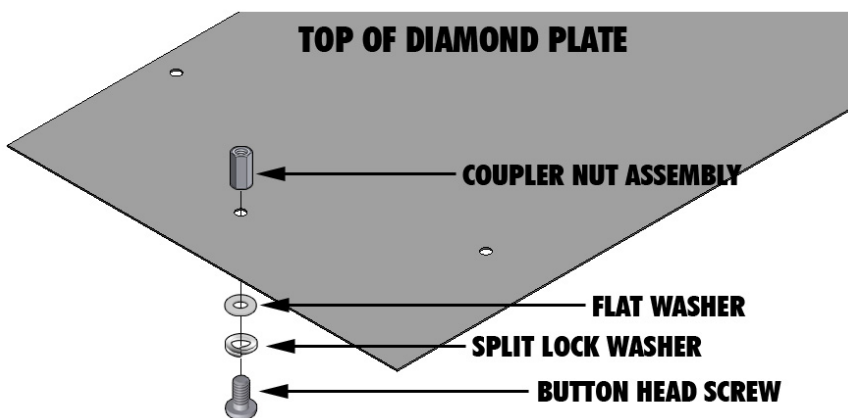
Once unbolted, remove the rear section of the trailer and set it on a flat stable surface.

Front Section

On the front section of your trailer, remove only the four (4) button head allen screws that secure the diamond plate as shown by arrows in the diagram on the next page. **Do not** remove the entire diamond plate. Install the four (4) supplied coupler nuts in place of the button head screws that were just removed using the button head screws and the flat washers you just removed and the supplied $\frac{5}{16}$ " split lock washers and tighten approximately 160 inch pounds. Refer to the diagram on the next page for allen screw and coupler nut locations. Again, only remove the screws that are indicated by the arrows; a total of four (4) screws should be removed and replaced by four (4) coupler nuts.

The following diagram shows the proper order of the coupler nuts to be installed using the button head screws and washers.

These coupler nuts will be used for storing your outside left and right ramps.



**Only Remove
Screws Indicated
By Arrows**

Remove → ○

○ ← **Remove**

Remove → ○

○ ← **Remove**

Button Head Allen Screws & Coupler Nut Assembly Locations

Remove the rubber latch from the front right (passenger's side) diamond plate. Install $\frac{5}{16}$ " button head allen screw into the open hole left by removing the rubber latch.

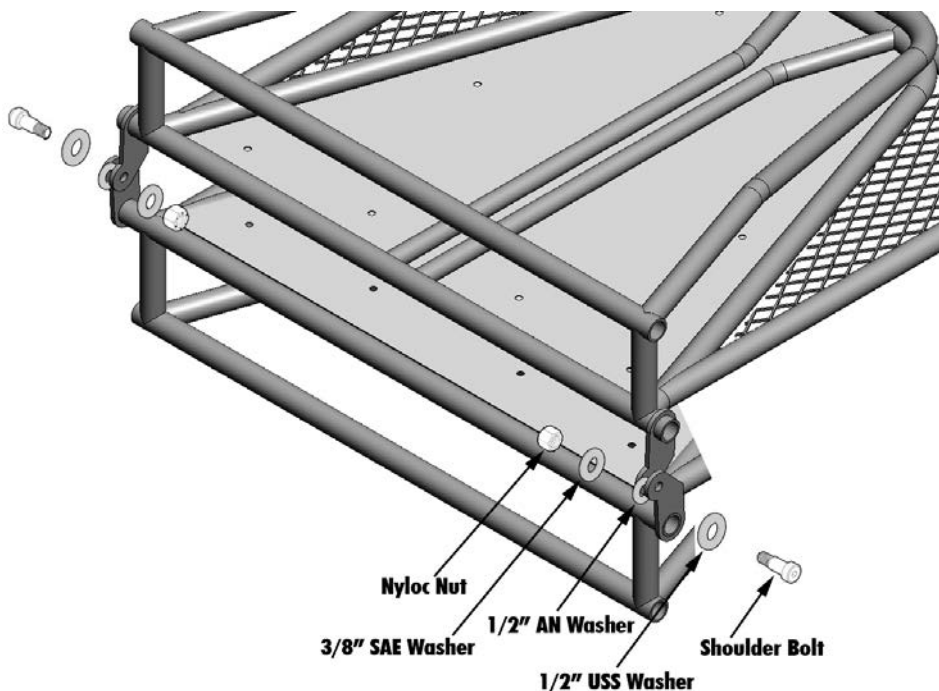
Rear Section

With the previously removed rear folding section on a flat surface, remove the aluminum diamond plate from the old rear section. After removing the diamond plate, remove the rigid caster from the old rear section. Keep all the hardware as you will be using it to install these pieces on the new ride-up rear section.

Install the caster on the new ride-up rear section using the hardware from the old rear section and tighten nuts and bolts to approximately 130 inch pounds.

Install the aluminum diamond plate on the new ride-up rear section using the hardware from the old rear section and tighten to approximately 160 inch pounds.

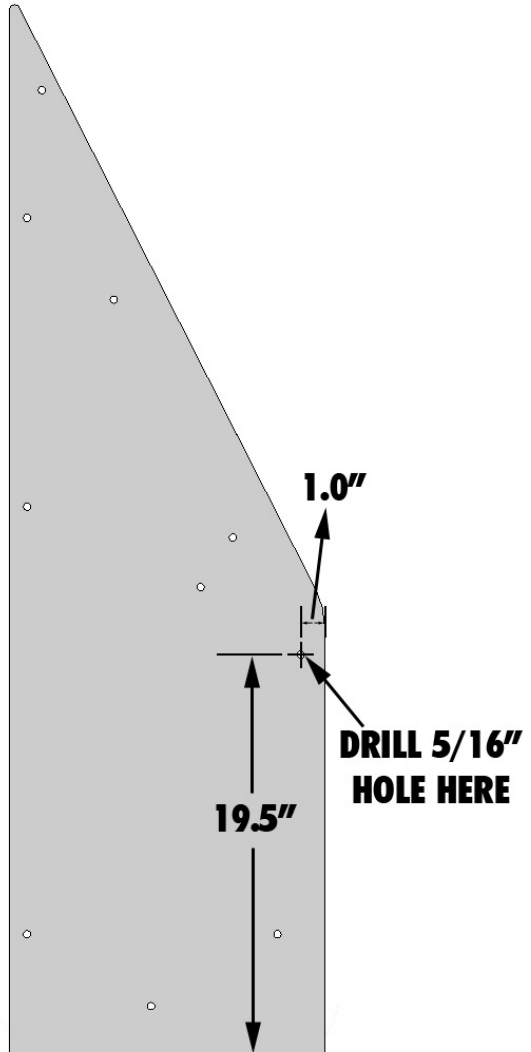
Install the new ride-up rear section on your trailer using the previously removed shoulder bolts, nuts and washers in the identical order they were originally installed before you removed your old rear section. Refer to the diagram below for proper order of hardware to attach the rear section to the trailer.



The nuts will tighten down and bottom out on the shoulder bolts. The nuts have “nyloc” and do not require any thread locker. Make sure all hardware is tight.

Relocation of the Rubber Latch

Below is a diagram of the right front aluminum diamond plate. From the edges of the diamond plate, measure the two (2) specified distances as shown in the diagram. Find the intersection of these two (2) dimensions and drill a $\frac{5}{16}$ ” diameter hole through the aluminum diamond plate.



Install the supplied new rubber latch in the location of the drilled hole on the front section of the trailer. Use the hardware from the old latch and tighten.

Congratulations! You now have a Kendon Single Ride-Up SRL Stand-Up™ Motorcycle Trailer.

Attach ramps included in the retrofit kit according to the instructions manual for the Single Ride-Up SRL Stand-Up™ Trailer that is included with the retrofit kit.

WARNING

Thoroughly read and understand the Instructions Manual for the Single Ride-Up SRL Stand-Up™ Trailer that is included with the retrofit kit.

If you lost or need additional copies of any of the instructions manuals referenced here, please visit our web site at www.KendonUSA.com or contact us at 714-630-7144 or info@KendonUSA.com.

Trailer owner is responsible for complying with all the recommended procedures in this instruction manual. Use at your own risk. Kendon is not responsible for injury, liability, property damage and/or any consequential damage(s) caused by the misuse of this product.

Thank you again for purchasing our Kendon product. If you have any questions on the proper use of this trailer or its parts please see your authorized dealer or contact Kendon Direct at 714-630-7144 or info@KendonUSA.com.

Enjoy your updated Kendon Single Ride-Up SRL Trailer.

Ride safe
Trailer safe

Kendon Industries, Inc.
3711 East La Palma Avenue
Anaheim, CA 92806
714-630-7144 Telephone
714-630-7132 Facsimile

info@KendonUSA.com
www.KendonUSA.com
facebook.com/kendonusa

NOTES

NOTES

Stand-Up™ Trailer Parts & Accessories



Dowco Trailer Cover
DOWCO107



LED Tail Light Kit
LEDTLK



Trailer Jack Stand
SU207



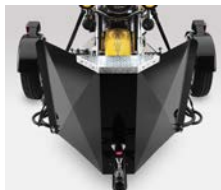
**Aluminum Wheel and
Radial Tire Kit**
HPRTWK13



**Crank Down Swivel Jack
Stand**
TSJS



**Accessory Pre-Packs
and Tie-Downs**
BB107PP
TDK107



Single Stone Guard
SG107



Single Utility Boxes
BX107



13" Spare Tire
BB206N

Visit us at www.KendonUSA.com for product updates, new products, and support.

KendonStand-Up
TRAILERS & LIFTS

NO PART OF THESE INSTRUCTIONS MAY BE COPIED AND/OR REPRODUCED WITHOUT THE WRITTEN PERMISSION OF KENDON INDUSTRIES, INC. ALL PART NUMBERS, DIMENSIONS AND SPECIFICATIONS IN THESE INSTRUCTIONS ARE SUBJECT TO CHANGE WITHOUT PRIOR NOTICE.