

**Stand-Up™ Lift Parts & Accessories**



**Frame Jack**  
BLFJ107



**Oil Drain Pan**  
OD107



**18" Service Tool Tray**  
BLST18



**36" Service Tool Tray**  
BLST36

Visit us at [www.KendonUSA.com](http://www.KendonUSA.com) for product updates, new products, and support.



NO PART OF THIS USER'S GUIDE MAY BE COPIED AND/OR REPRODUCED WITHOUT THE WRITTEN PERMISSION OF KENDON INDUSTRIES, INC. ALL PART NUMBERS, DIMENSIONS AND SPECIFICATIONS IN THIS USER'S GUIDE ARE SUBJECT TO CHANGE WITHOUT PRIOR NOTICE.



**USER'S GUIDE**



**KENDON STAND-UP™ MOTO LIFT**

**KENDON INDUSTRIES, INC.**

3707 East La Palma Avenue  
Anaheim, CA 92806 USA  
Tel 714-630-7144 • Fax 714-630-7132

[www.KendonUSA.com](http://www.KendonUSA.com)

**WARNING: Keep hands and feet away from pinch points during raising and lowering of the lift. Keep children away from lift at all times.**

**WARNING: Do not store or place any objects underneath the lift. Keep the bottom of lift section clear to avoid injury or crushing.**

**WARNING: Do not exceed lift capacity (600 lbs.)**

***Kendon is not responsible for any consequential damage(s).***

***IMPORTANT: You must follow the included assembly instructions prior to using the Moto Lift.***

If you have any questions or need additional instructions, please contact us directly at 714-630-7144 or [info@KendonUSA.com](mailto:info@KendonUSA.com).

Visit us at [www.KendonUSA.com](http://www.KendonUSA.com) for product updates, new products, and support.

**⚠ WARNING**

**WARNING:** Serious injury, or death, could result through improper use of this product, including crushing or severing type injuries.

**WARNING:** Bottom scissor may skate across floor when loading depending on the slipperiness of your garage floor. Test grip first and avoid having the lift in front of valuable equipment (i.e. Tool boxes, cars, motorcycles) or people.

**WARNING:** For Adult Use Only. Keep children away from lift at all times.

**WARNING:** Bottom scissor safety bar must be engaged at all times to prevent possible lift collapse from hydraulic failure.

**WARNING:** Moto Lift top scissor cam lock straps must be detached from motorcycle frame prior to raising and lowering the lift to avoid tip over and/or lockup on descent.

**WARNING:** It is recommended to remove the front wheel chock prior to lowering your lift and ensure the front wheel remains straight during descent to avoid tip over.

**WARNING:** Lift should only be used on a stable flat surface.

**WARNING:** Top scissor must be fully collapsed and the two (2) black knobs on top scissor must be tightened before storage or relocation to avoid any pinching type injury.

**⚠ WARNING**

**WARNING:** Serious injury, or death, could result through improper use of this product, including crushing or severing type injuries.

**WARNING:** Bottom scissor may skate across floor when loading depending on the slipperiness of your garage floor. Test grip first and avoid having the lift in front of valuable equipment (i.e. Tool boxes, cars, motorcycles) or people.

**WARNING:** For Adult Use Only. Keep children away from lift at all times.

**WARNING:** Bottom scissor safety bar must be engaged at all times to prevent possible lift collapse from hydraulic failure.

**WARNING:** Moto Lift top scissor cam lock straps must be detached from motorcycle frame prior to raising and lowering the lift to avoid tip over and/or lockup on descent.

**WARNING:** It is recommended to remove the front wheel chock prior to lowering your lift and ensure the front wheel remains straight during descent to avoid tip over.

**WARNING:** Lift should only be used on a stable flat surface.

- WARNING:** Top scissor must be fully collapsed and the two (2) black knobs on top scissor must be tightened before storage or relocation to avoid any pinching type injury.
- WARNING:** Keep hands and feet away from pinch points during raising and lowering of the lift. Keep children away from lift at all times.
- WARNING:** Do not store or place any objects underneath the lift. Keep the bottom of lift section clear to avoid injury or crushing.
- WARNING:** Do not exceed lift capacity (600 lbs.)
- Kendon is not responsible for any consequential damage(s).*
- 

**IMPORTANT**

*You must follow the included assembly instructions prior to using the Moto Lift.*

**Added Benefit, Care and Maintenance**

It is perfectly acceptable to use the Moto Lift to elevate your motorcycle for washing and cleaning a well ridden dirt bike. The lift can be hosed off and cleaned just like your bike. All pivot points are factory greased. Spraying lubricant on pivot joints is recommended after cleaning and on a routine basis.

**IMPORTANT NOTE: To properly store the top scissor assembly, remove it from the lift, fully collapse it, and tighten the two (2) black side knobs on the top scissor. This will prevent the top from opening and closing to prevent any pinching type injury. The lift top can be stored on end; it is recommended to use a chain or strap to secure the lift to a wall to avoid accidental tip over. Keep children away from lift at all times.**

---

attachment points on your bike (i.e. Front frame rails, rear sub frame) and attach the nylon straps to cam locks and secure the motorcycle frame by making a choked loop with the nylon straps on all four corners.

- **Now your motorcycle is safely secured to the lift.** You can safely remove wheels/suspension with ease and safety without tipping the motorcycle over.

**WARNING: Detach the four (4) nylon straps from cam locks before lowering the lift or the lift will not be able to properly descend.**

### Descending/Unloading Your Motorcycle

**WARNING: Suspension and wheel units must be completely installed before descending to ground level.**

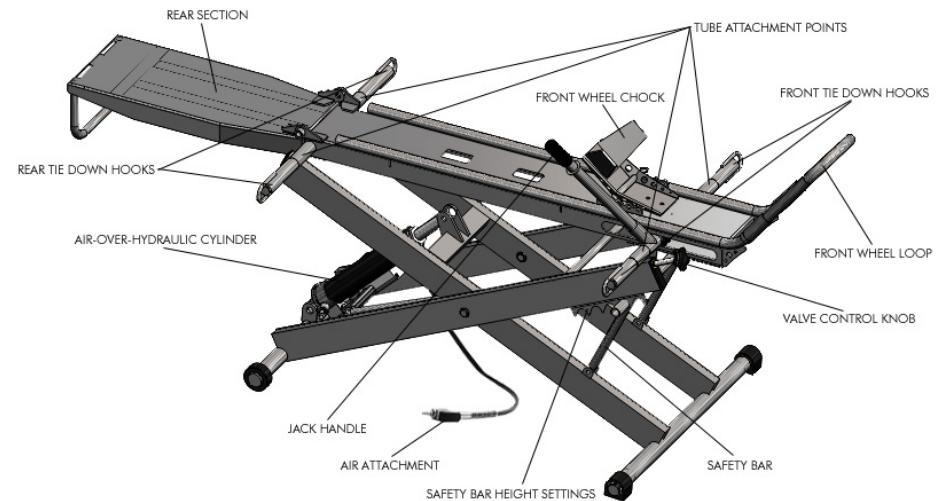
- **Detach the four (4) nylon straps from cam locks and the motorcycle frame.** Failure to detach these tie downs may result in tip over or lockup on descent.
- Raise the lift manually or with air so that the bottom scissor safety bar can be released.
- Release the bottom scissor safety bar.
- **VERY SLOWLY** turn the valve control knob counterclockwise to slowly descend the lift until the bike tires firmly touch the bottom scissor assembly.
- When the tires firmly touch the bottom scissor assembly, reattach the front tie downs.

**NOTE: It is advisable to hold the bike to stabilize the vehicle while the lift is descending.**

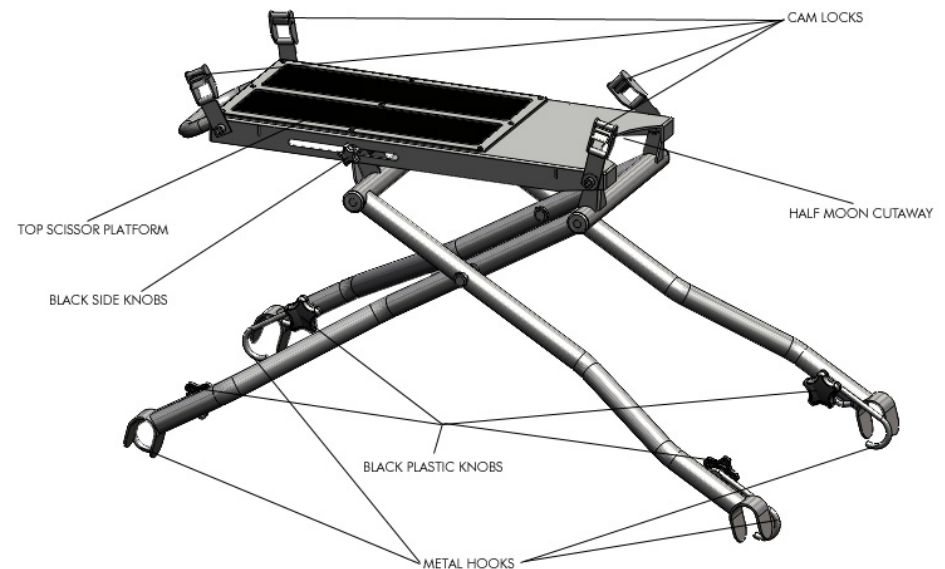
- Continue the final descent.
- When the lift is fully descended, detach the front tie downs.
- Roll the bike directly backwards off the lift.
- Have a great ride!

## Moto Lift Expanded Drawing

### BOTTOM SCISSOR ASSEMBLY



### TOP SCISSOR ASSEMBLY



## Kendon Moto Lift Instructions for Top Scissors and Bottom Scissors

Congratulations on purchasing your new Kendon Moto Lift. Safety is our number one concern. Before using this product, please take the time to read the instructions completely and familiarize yourself thoroughly with the parts on your new Kendon Moto Lift. If you have any questions or need additional instructions, please contact us directly at 714-630-7144 or info@KendonUSA.com.

Visit us at [www.KendonUSA.com](http://www.KendonUSA.com) for product updates, new products, and support.

The Moto Lift's intended use is to elevate any motorcycle, under 600 lbs, with a flat horizontal frame section under the engine to perform service work in the standing position. The Moto Lift is designed to be used in two (2) different ways:

1. To perform any and all maintenance on a motorcycle that does not require wheel and/or suspension removal. For example, oil changes, filter service, and clutch service. To perform this type of maintenance, simply use the bottom scissor assembly by itself as per the bottom scissor assembly owner's manual.
2. To accomplish removal of wheels and/or suspension components, incorporate the top scissor for easy use to safely remove front and/or rear wheels and/or both suspension units.

### Moto Lift Top Scissor Instructions

- Ensure that the bottom scissor is fully compressed and the top scissor is also fully compressed. Loosen the two (2) black side knobs on top scissor to ensure the top lifts properly. With bottom scissor compressed on the ground, drop the top scissor assembly on the four (4) tube attachment points.

**Note: Be sure to face the half moon cutaway on the top scissor to the front of the lift.**

- Loosen the four (4) black plastic knobs on the top scissor assembly and secure the four (4) metal hooks to the bottom scissor assembly. Hook each one separately and hand-tighten. Your bottom and top scissor assemblies are now ready to use.

## How to Properly Load and Raise Your Motorcycle

- Front wheel chock must be positioned backward against the half moon section of the top scissor.
- In order to load your motorcycle, first attach the loading ramp to the rear of the bottom scissor assembly. With the ramp attached, roll your bike directly onto the lift, and directly over the top scissor, so that your front wheel rolls into the front wheel chock.

*Note: There is a rear step loop on the top scissor that will help your bike easily roll over the top scissor so you can safely roll over the entire top.*

- Tie down the front of your motorcycle using standard ratchet tie downs to the front bottom tie down hooks on the bottom scissor. Please refer to the bottom scissor assembly owner's manual for proper tie down procedure.
- The Moto Lift can be operated manually or with air. To elevate the lift, and raise the motorcycle, turn the valve control knob clockwise and either pump lift manually or attach an air line and press the air valve.
- The lift will rise simultaneously with the top scissor and meet your motorcycle frame rails and lift the entire chassis into the air for easy wheel and suspension service.
- When the top scissor assembly makes contact with the bike frame, release the front tie downs.
- **When the desired elevation is reached, you must engage the bottom scissor safety bar.** Select one (1) of the five (5) settings, align the safety bar with the safety setting and **slowly** open the valve control knob counterclockwise so that the lift rests on the safety bar.

**WARNING: No lift depends on the hydraulics alone to safely hold the load. The air-over-hydraulic cylinder is intended to raise and lower the lift. The bottom scissor safety bar must be engaged to prevent the possibility of accidental valve opening and the lift lowering.**

- **Your motorcycle must be secured to the top scissor platform to avoid front to back and side to side tip over.** Before performing any service work involving tire, wheel, and suspension removal, you **must** secure the motorcycle. Locate the four (4) cam locks and four (4) nylon straps, with loop, on each corner of the top scissor. Find four (4)