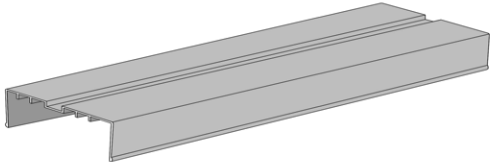
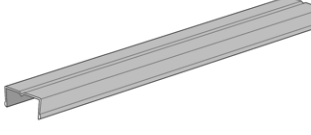
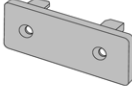
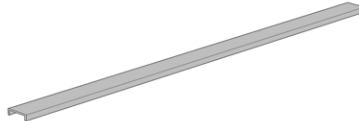
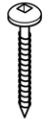




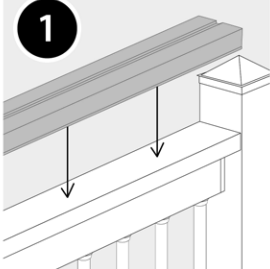
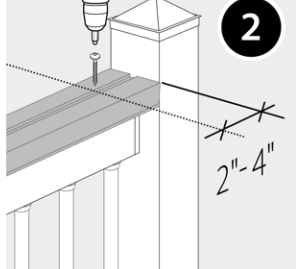
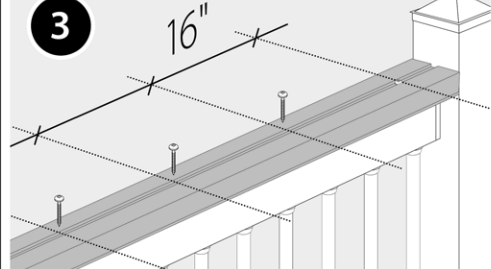
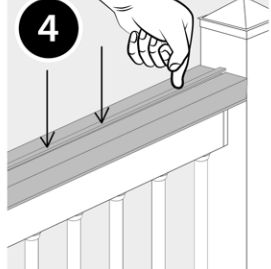


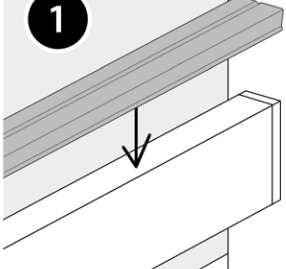
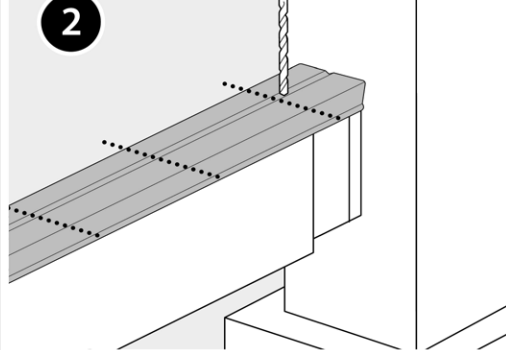
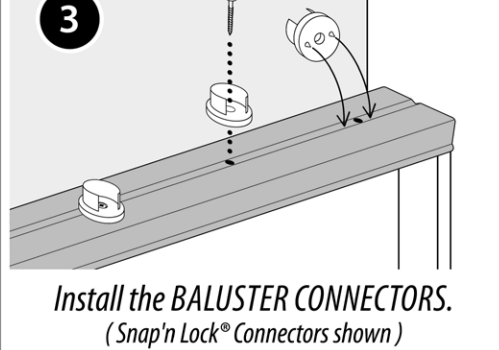
RAIL SHIELD™ PROTECTION | INSTRUCTIONS

RAIL SHIELD™ PROTECTION COMPONENTS			TOOLS NEEDED	
 HAND RAIL RSHR	 BOTTOM RAIL RSBR	 END CAP RS24102	 CHANNEL STRIP	 #8 X 1" STAINLESS SCREW
			 DRILL	 TAPE MEASURE
			 DRILL BIT	 NO 2 SQUARE DRIVE

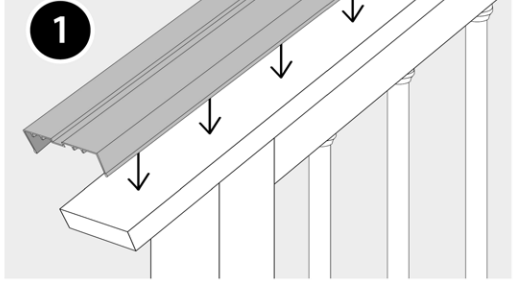
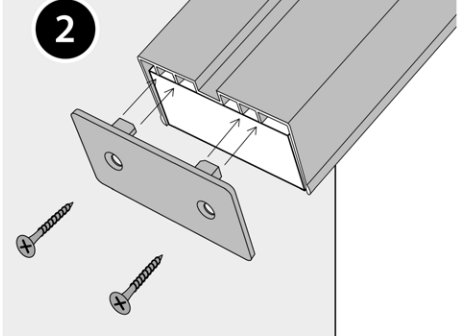
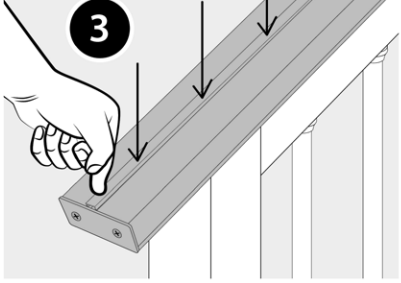
HAND RAIL

<p>1</p>  <p>Fit over UPPER 2x4 wood rail.</p> <p>START</p>	<p>2</p>  <p>Start Screws 2"- 4" from the post edge.</p>	<p>3</p>  <p>16" space between screws along center of HAND RAIL.</p>	<p>4</p>  <p>Install the CHANNEL STRIP.</p> <p>FINISH</p>
---	--	---	--

BOTTOM RAIL

<p>1</p>  <p>Fit over LOWER 2x4 wood rail.</p> <p>START</p>	<p>2</p>  <p>Measure baluster intervals and PREDRILL.</p>	<p>3</p>  <p>Install the BALUSTER CONNECTORS. (Snap'n Lock® Connectors shown)</p> <p>FINISH</p>
---	---	--

END CAP

<p>1</p>  <p>Fit Hand Rail Shield over 2x4 wood railing.</p> <p>START</p>	<p>2</p>  <p>Fasten END CAP with screws.</p>	<p>3</p>  <p>Attach CHANNEL STRIP.</p> <p>FINISH</p>
---	---	---

RAIL SHIELD™ PROTECTION | RSHR / RSBR / RS24102

QUESTIONS? CONTACT US AT 1-866-577-8868 IN NO EVENT SHALL TITAN BUILDING PRODUCTS BE LIABLE FOR ANY LOSS OR DAMAGE, DIRECT OR OTHERWISE, WHICH RESULTS FROM THE IMPROPER INSTALLATION OR USE OF THIS PRODUCT. IF FOR ANY REASON TITAN BUILDING PRODUCTS BECOMES LIABLE FOR LOSS OR DAMAGE, DIRECT OR OTHERWISE, THE AGGREGATE LIABILITY OF TITAN BUILDING PRODUCTS SHALL BE LIMITED TO THE RETAIL PURCHASE PRICE OF THE PRODUCTS.

T 1-866-577-8868

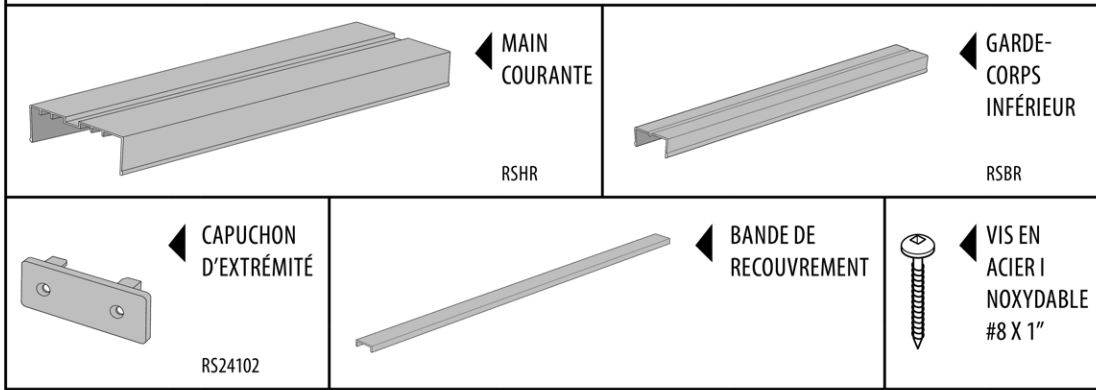
TITAN BUILDING PRODUCTS
THE ART OF BUILDING
More beautiful decks... Real easy.



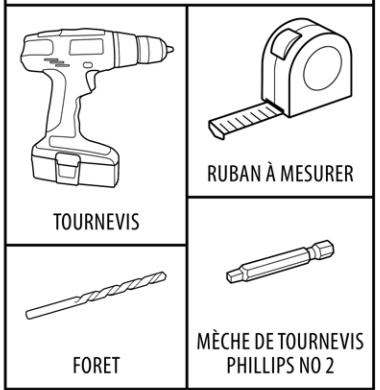
www.titanbp.com

INSTALLATION | RAIL SHIELD™ PROTECTION

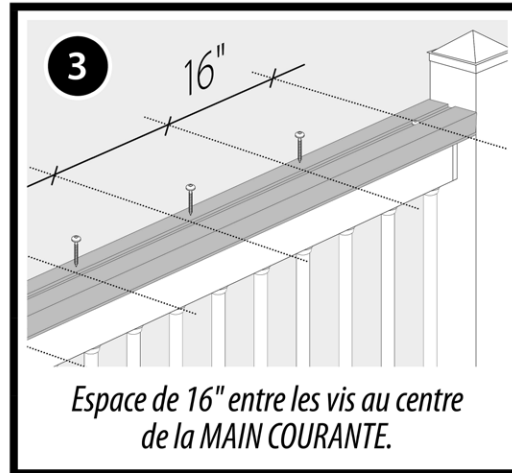
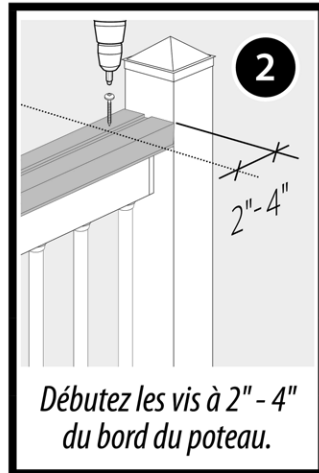
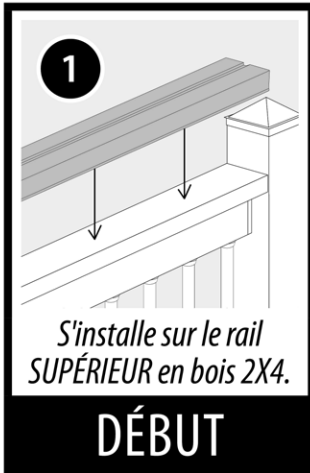
COMPOSANTS DU RAIL SHIELD™ PROTECTION



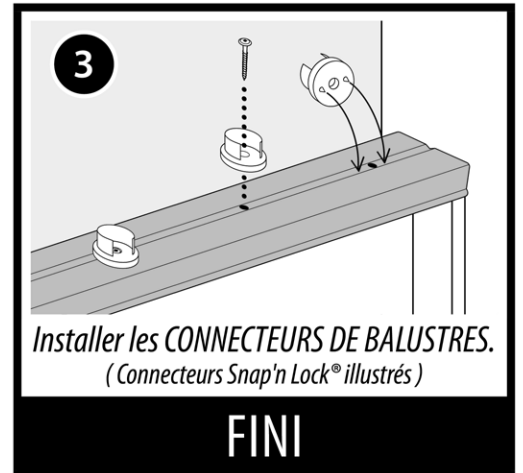
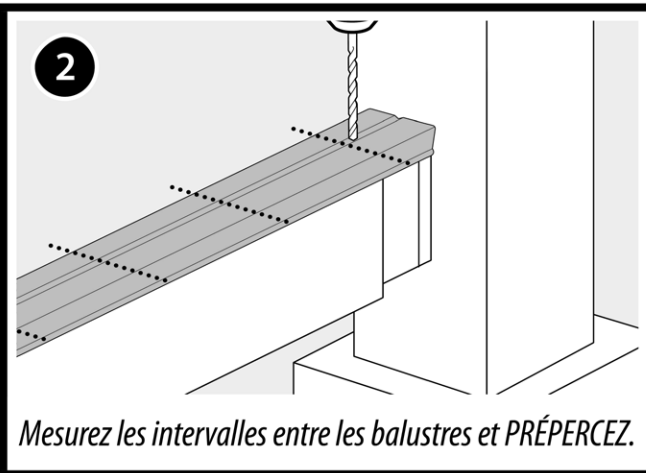
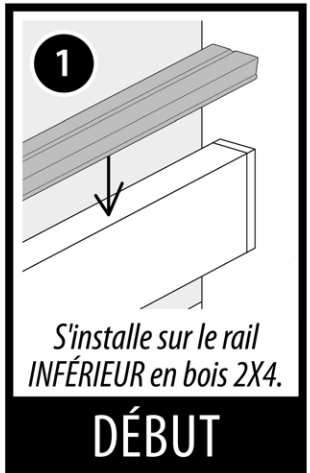
OUTILS RECOMMANDÉS



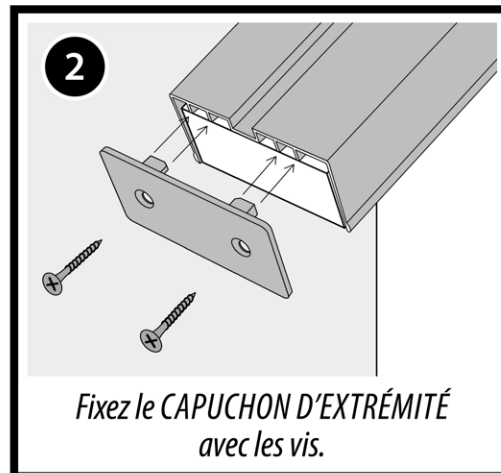
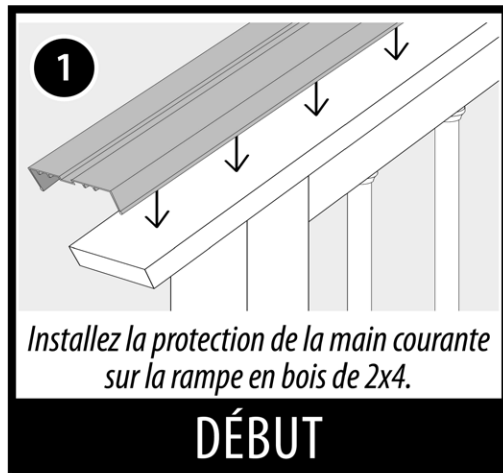
MAIN COURANTE



GARDE-CORPS INFÉRIEUR



CAPUCHON D'EXTRÉMITÉ



RAIL SHIELD™ PROTECTION | RSHR / RSBR / RS24102

DES QUESTIONS? CONTACTEZ-NOUS AU 1-866-577-8868 EN AUCUN CAS, TITAN BUILDING PRODUCTS NE PEUT ÊTRE TENU RESPONSABLE DE LA PERTE OU DES DOMMAGES, DIRECTS OU NON, QUI RÉSULTENT D'UNE UTILISATION OU D'UNE INSTALLATION INADÉQUATE DE CE PRODUIT. SI, POUR QUELQUE RAISON QUE CE SOIT, TITAN BUILDING PRODUCTS DEVIENT RESPONSABLE DE LA PERTE OU DES DOMMAGES, DIRECTS OU NON, LA RESPONSABILITÉ GLOBALE DE TITAN BUILDING PRODUCTS SERA LIMITÉE AU PRIX D'ACHAT AU DÉTAIL DU PRODUIT.

T 1-866-577-8868

TITAN BUILDING PRODUCTS
THE ART OF BUILDING
De magnifiques terrasses... vraiment facile.



www.titanbp.com