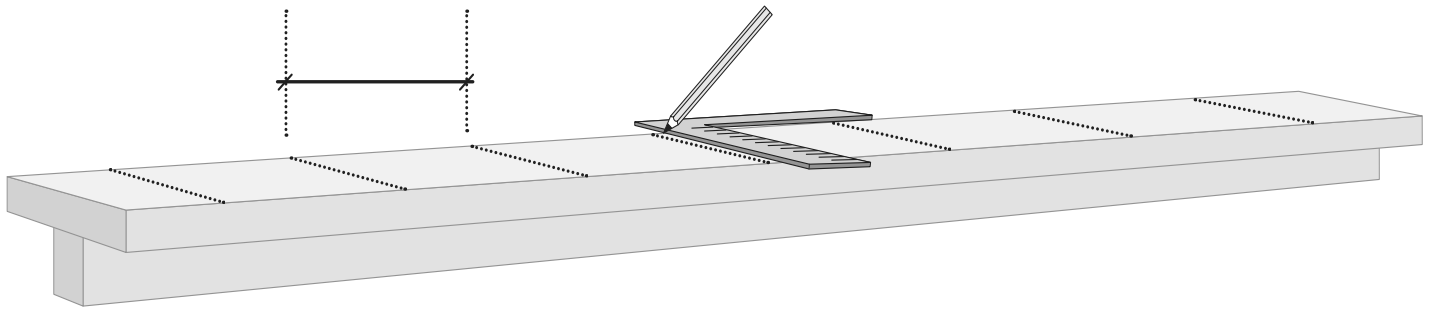


SNAP-LOCK® FENCE TOPPERS™ INSTALLATION

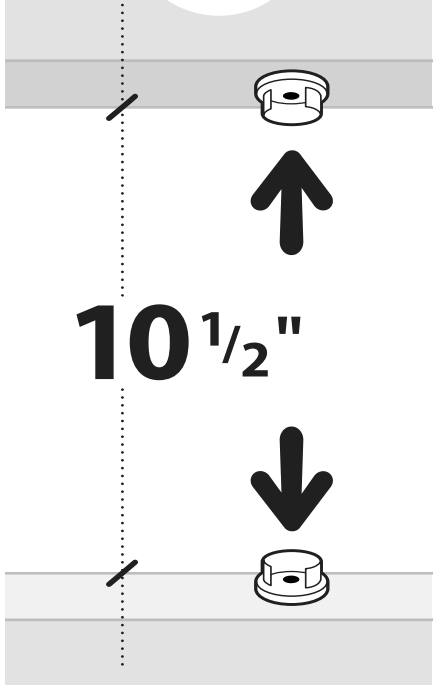


Starting from the center of rails, mark lines at 6-3/4" on center.

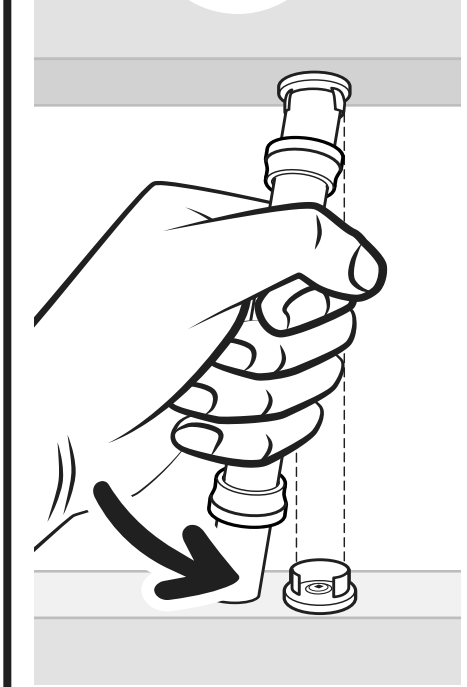
À partir du centre des rails, tracez une ligne à 6-3/4 po d'entraxe.

Desde el centro de los carriles, marque líneas en 6-3/4" en el centro.

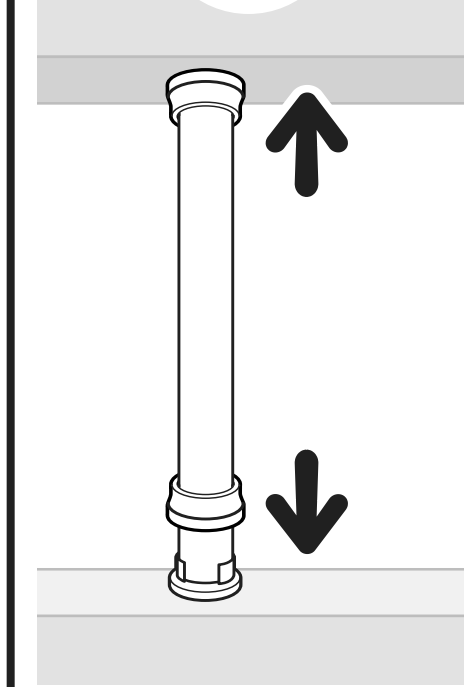
1



2



3



FENCE TOPPERS™ KIT | SLK-RB10

PATENT NO

PENDING

QUESTIONS? CONTACT US AT 1-866-577-8868 IN NO EVENT SHALL TITAN BUILDING PRODUCTS BE LIABLE FOR ANY LOSS OR DAMAGE, DIRECT OR OTHERWISE, WHICH RESULTS FROM THE IMPROPER INSTALLATION OR USE OF THIS PRODUCT. IF FOR ANY REASON TITAN BUILDING PRODUCTS BECOMES LIABLE FOR LOSS OR DAMAGE, DIRECT OR OTHERWISE, THE AGGREGATE LIABILITY OF TITAN BUILDING PRODUCTS SHALL BE LIMITED TO THE RETAIL PURCHASE PRICE OF THE PRODUCTS.

T 1-866-577-8868

TITAN BUILDING PRODUCTS®
THE ART OF BUILDING
More beautiful decks... Real easy.



www.titanbp.com