

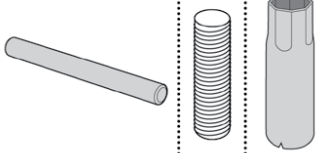
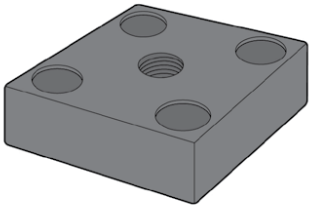
INSTALLATION | COMPRESSION POST BASE KIT 4x4 / 4x6 / 6x6



IMPORTANT NOTE

FOR COMPRESSION LOADS ONLY WHERE TOP OF POST IS CONNECTED TO AN UPPER STRUCTURE. NOT INTENDED FOR USE IN GUARD RAILS.

COMPRESSION POST BASE KIT

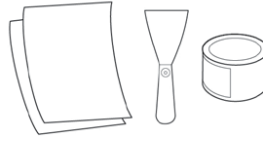


(1) Base, (1) Locking pin,
(1) Threaded Stud, (1) Tube
Concrete fasteners sold separately

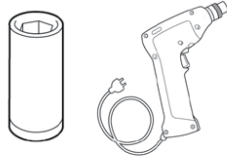
TOOLS NEEDED



Hammer

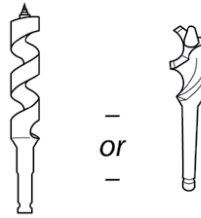


Sandpaper, Putty Knife,
Wood Filler



Socket

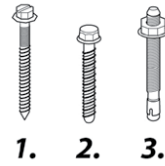
Drill



1-1/4"
Ship Auger

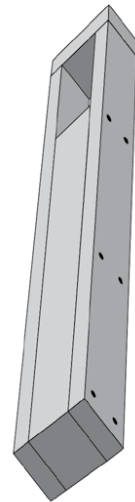
1-1/4"
Speed Bore

CONCRETE FASTENER



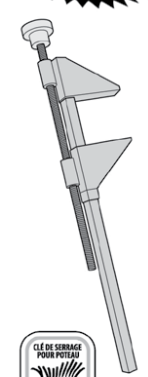
1. Concrete screw
- or -
2. Wedge bolt
- or -
3. Expansion bolt

3/8"
Speed Bit



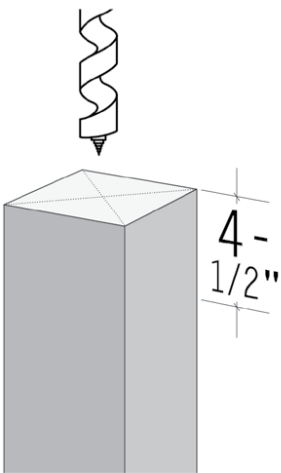
Post Wrench
See Step 9

CHECK IT OUT!



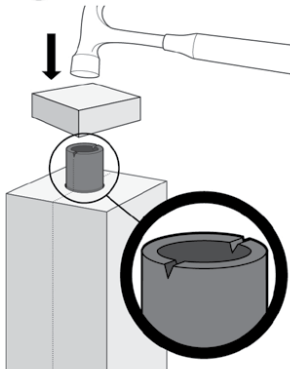
Sold separately

1 START



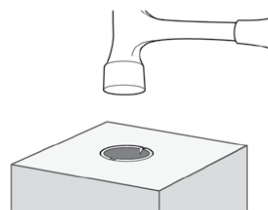
BORE 1-1/4" diameter hole
to 4-1/4" deep.

2

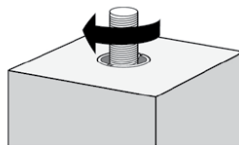


TAP tube
into bore
with V-CUT
facing side
of post.

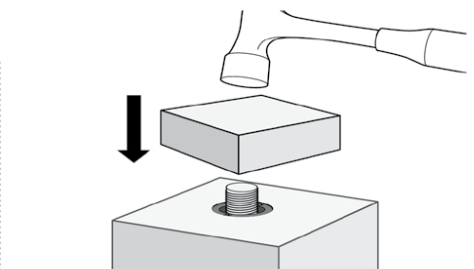
3



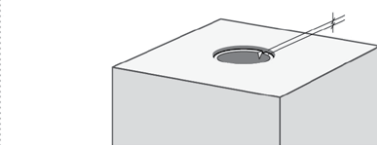
1. TAP tube flush with
bottom of post.



2. Insert *threaded stud*
into nut inside tube.

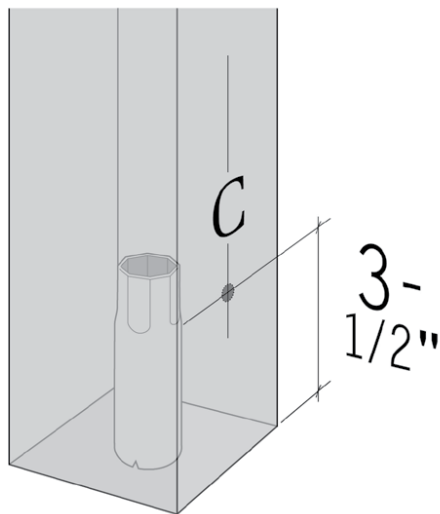


3. Using a scrap of wood, TAP *stud* to set tube
1/16" to 1/8" below surface of post.

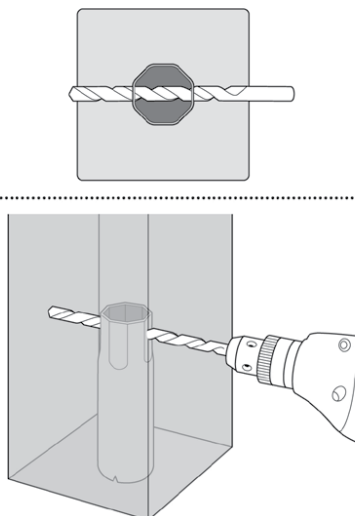


4. 1/16"-1/8"

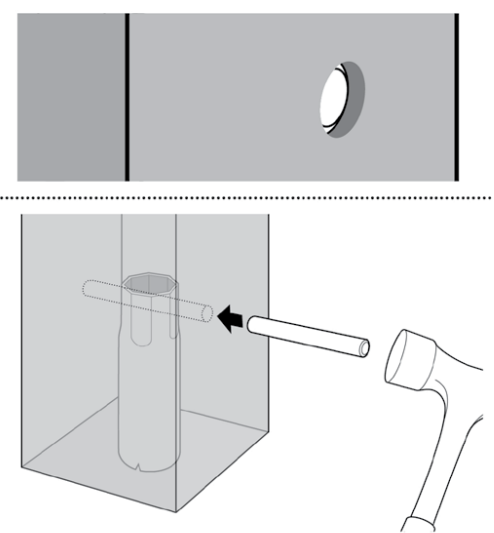
4 MARK locking pin hole location in Center of post 3-1/2" from end of post.



5 DRILL with 3/8" speed bit to the opposite side of post.



6 TAP locking pin into hole and set it 1/8" inside of post.



TITAN COMPRESSION POST BASE™ KIT / TICP44 / TICP46 / TICP66

REV: 12/20/23

T 1-866-577-8868

TITAN BUILDING PRODUCTS
THE ART OF BUILDING
More Outdoor Beauty... Real easy.



www.titanbp.com

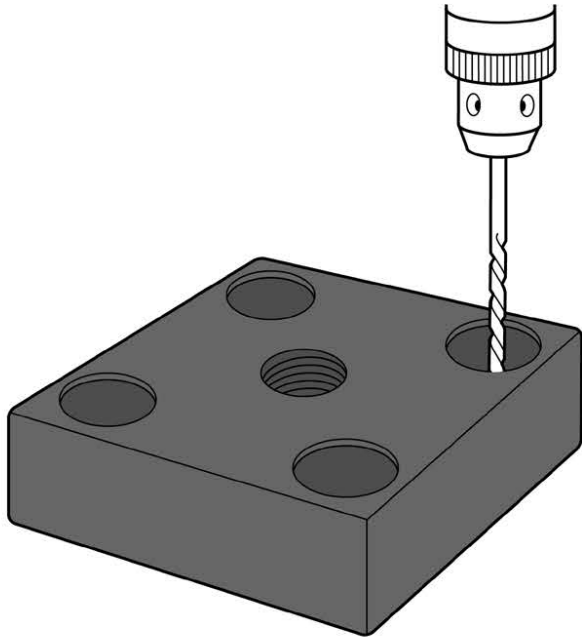
INSTALLATION | COMPRESSION POST BASE KIT 4x4 / 4x6 / 6x6



IMPORTANT NOTE

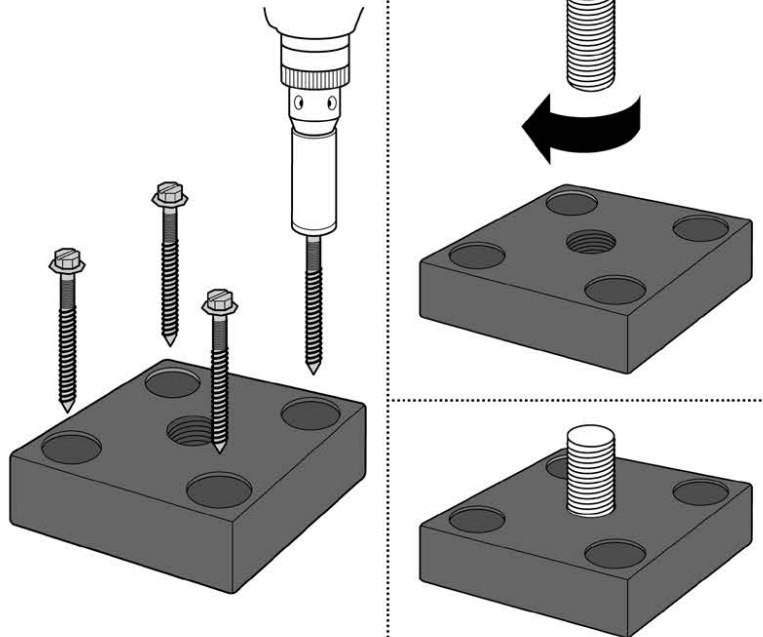
FOR COMPRESSION LOADS ONLY WHERE TOP OF POST IS CONNECTED TO AN UPPER STRUCTURE. NOT INTENDED FOR USE IN GUARD RAILS.

7



DRILL pilot holes with *masonry bit*.

8

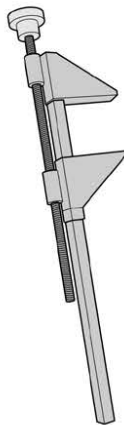
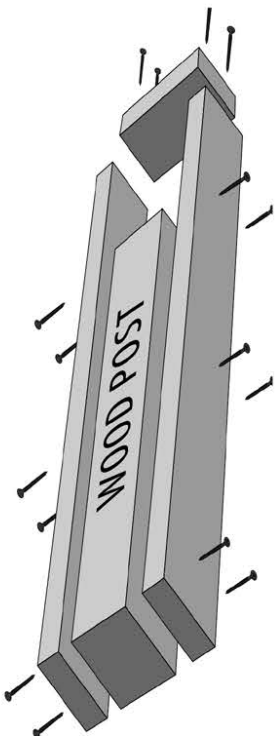


DRIVE fasteners down.

HAND TIGHTEN *threaded stud* until *stud* contacts substrate.

9 Use scrap material and 3-1/2" screws to make *post wrench*.

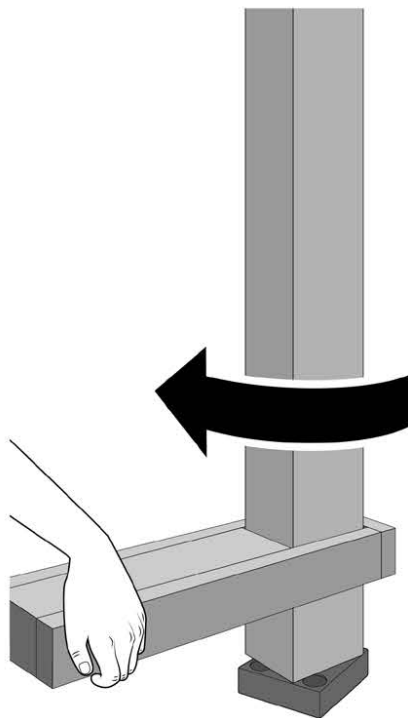
CHECK IT OUT!



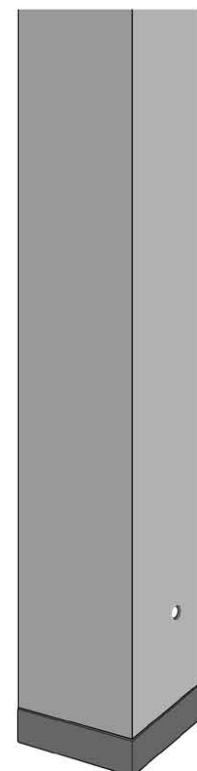
Sold separately

10

HAND TURN post on *threaded stud* to base. Once post contacts base, use *post wrench* to turn additional 180° maximum.



FINISH



APPLY *wood filler* and *sand*.

TITAN COMPRESSION POST BASE™ KIT / TICP44 / TICP46 / TICP66

PATENT NO

US 9,976,298

IN NO EVENT SHALL TITAN BUILDING PRODUCTS BE LIABLE FOR ANY LOSS OR DAMAGE, DIRECT OR OTHERWISE, WHICH RESULTS FROM THE IMPROPER INSTALLATION OR USE OF THIS PRODUCT. IF FOR ANY REASON TITAN BUILDING PRODUCTS BECOMES LIABLE FOR LOSS OR DAMAGE, DIRECT OR OTHERWISE, THE AGGREGATE LIABILITY OF TITAN BUILDING PRODUCTS SHALL BE LIMITED TO THE RETAIL PURCHASE PRICE OF THE PRODUCTS.

T 1-866-577-8868

TITAN BUILDING PRODUCTS
THE ART OF BUILDING
More Outdoor Beauty... Real easy.



www.titanbp.com