



International Residential Code (IRC)

This product may not be suitable for residential building code applications in your area. Do not use this product for residential guard rails unless you have it approved by local authorities. Download and read the engineering report carefully. Engineering reports provide guidance only and complying with them does not necessarily mean your structure will be code compliant. They are based on the specific assembly tested for each report. Some areas do not permit any end post attachment means. Any variation from the assemblies and manner of testing stated in our engineering reports is outside of the scope of the report.

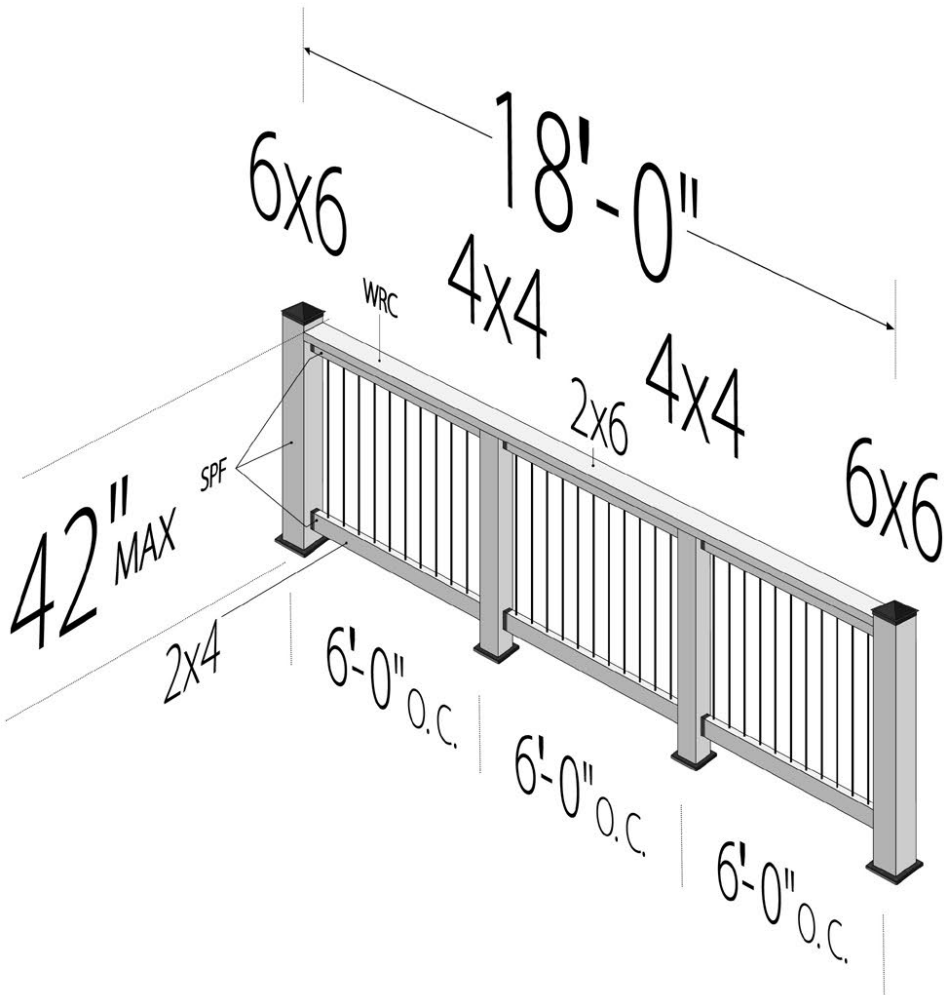
ENGINEERING
REPORTS FOR
APPLICATION
SUITABILITY



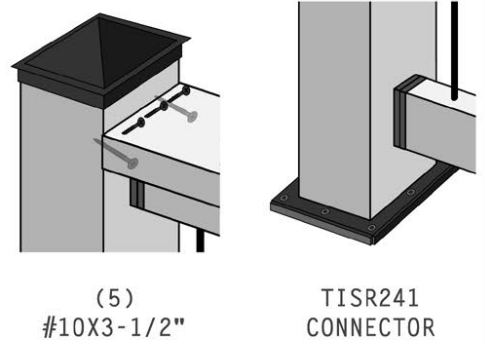
REPORT NO **103643197TOR-005** REPORT NAME **Post Anchor 6x6 & 4x4-6'x42"H Continuous Cap Rail USA**
<https://titanbp.com/resources/engineering-reports-new/>

AC 273 2017

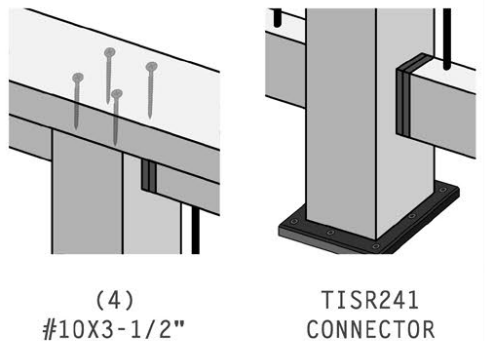
1. 6X6 WITH 4X4, 42" HIGH, 6'-0" O.C.



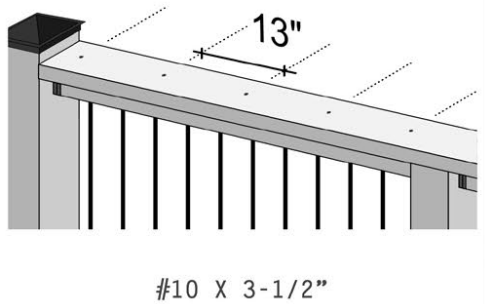
2. TOP / BOTTOM / END POST TO RAIL



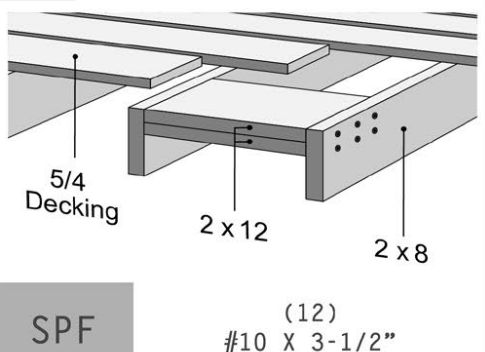
3. TOP / BOTTOM / LINE POST TO RAIL



4. CAP RAIL SCREW PATTERN



5. BLOCKING



SPF - SPRUCE / PINE / FIR

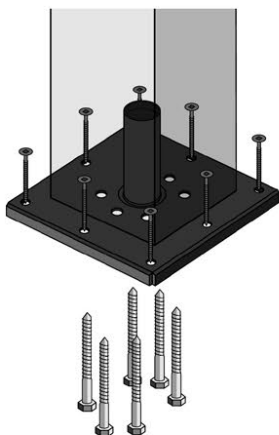
WRC - WESTERN RED CEDAR

OPTIONAL

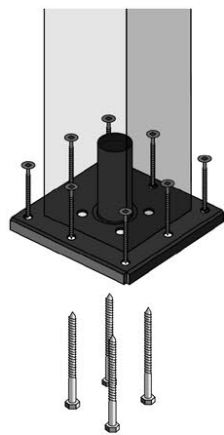


NOT USED IN TEST
BUT AVAILABLE

6. 6X6 POST ANCHOR



7. 4X4 POST ANCHOR



All tests results are based on lab tests. Specific job site conditions should be taken into consideration when building with this product. Because applications and site conditions vary, we assume no liability for use of this information.

REV: 03/27/24