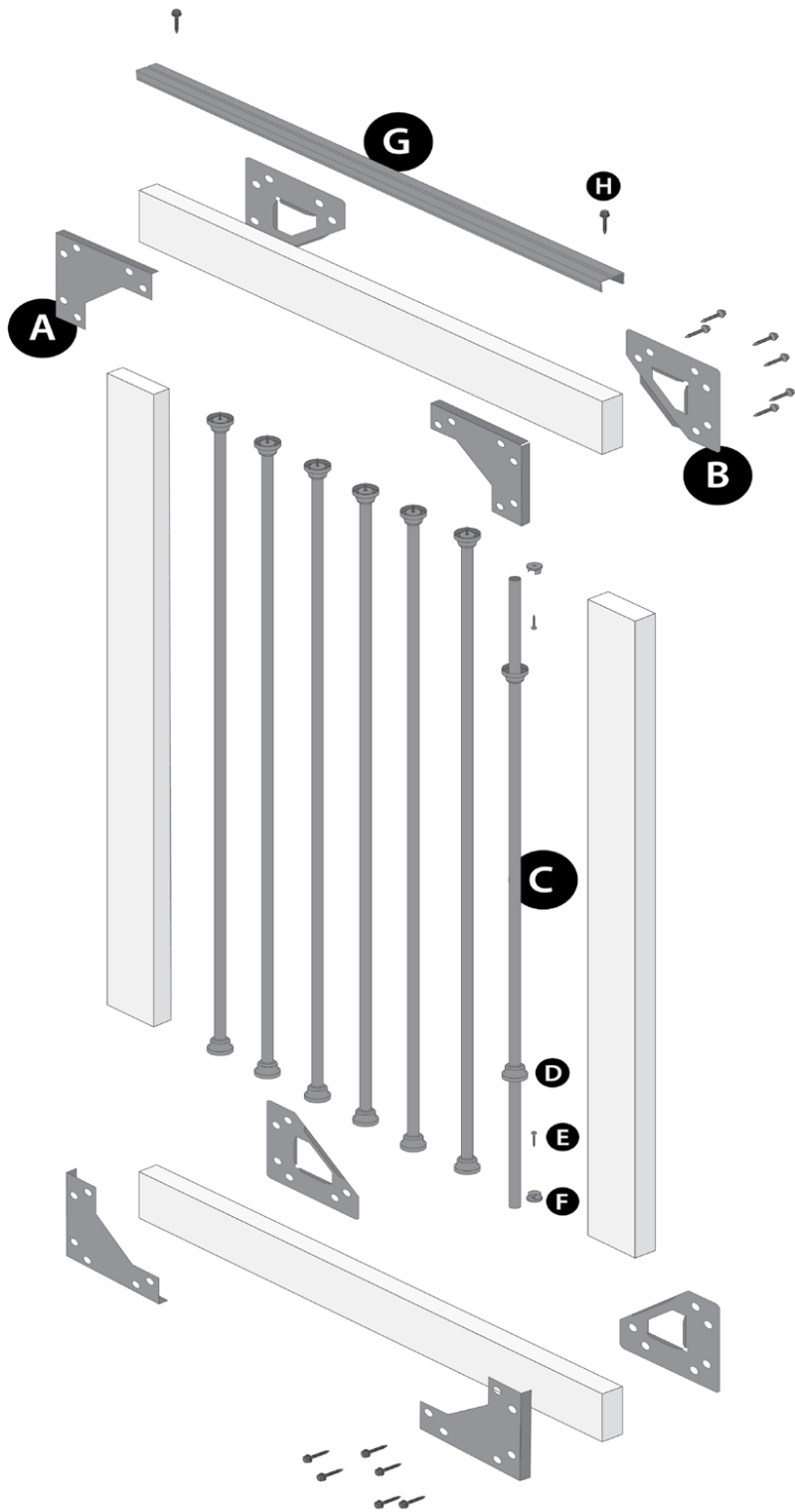


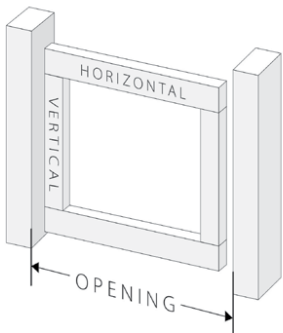
# INSTALLATION | **SNAP'N LOCK**® Sophisti-GATE™



<b>A</b>	FRONT CORNER BRACKETS	(4)	
<b>B</b>	REAR CORNER BRACKETS	(4)	
<b>C</b>	BLACK ALUMINUM BALUSTERS	(7)	<b>31"</b> 
<b>D</b>	COLLARS	(14)	
<b>E</b>	SNAP 'N LOCK® SCREWS	(14)	
<b>F</b>	BASE CONNECTOR	(14)	
<b>G</b>	RAIL SHIELD™ PROTECTOR STRIP	(1)	
<b>H</b>	BLACK SCREWS	(50)	

## STEP 1

Cut VERTICAL and HORIZONTAL Gate rails from 2x4's



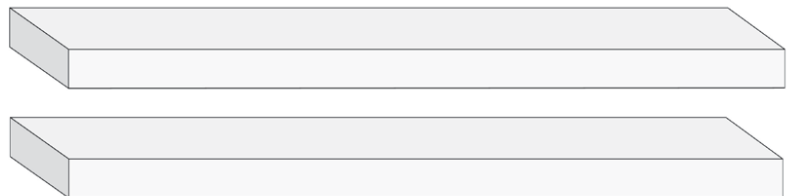
### HORIZONTAL

**41"** FOR A 42" OPENING — or — **35"** FOR A 36" OPENING



### VERTICAL

**31-½"**



SNAP 'N LOCK® SOPHISTI-GATE™ / GCB-SLK38

PATENT №

US 11,274,451

GB 2563328

CA 3,001,589



[www.titanbp.com/warranty](http://www.titanbp.com/warranty)

### WARRANTY

Titan Building Products offers a Limited Manufacturer's Warranty. Terms and Conditions Apply.

**TITAN** BUILDING PRODUCTS  
THE ART OF BUILDING

More Outdoor Beauty... Real easy.



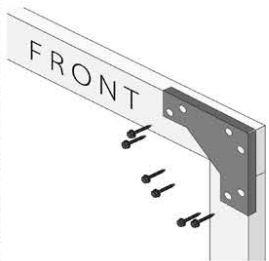
1-866-577-8868

[www.titanbp.com](http://www.titanbp.com)

# INSTALLATION | **SNAP'N LOCK**® Sophisti-GATE™

## STEP 2

Assemble Rails and install 4 (A) FRONT CORNER BRACKETS using 6 (H) SCREWS ▶ x4



## STEP 3

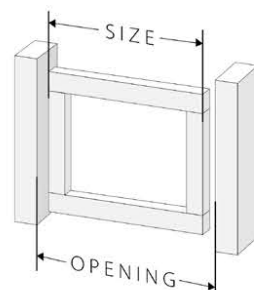
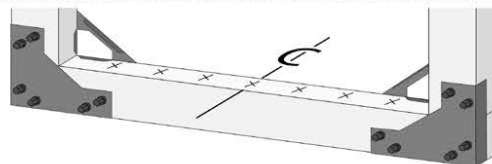
Flip Gate over and install 4 (B) REAR CORNER BRACKETS using 6 (H) SCREWS ▶ x4



## STEP 4

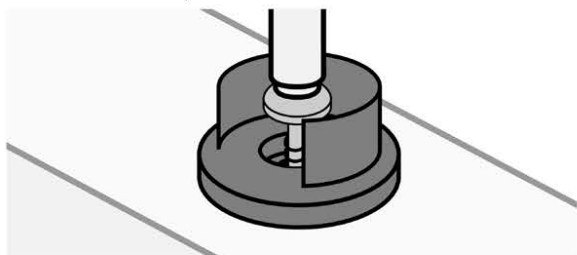
Find center line and mark 7 baluster intervals using TABLE below

GATE		BALUSTER INTERVAL
SIZE	OPENING	
33"	34"	▶ 3-1/4"
34"	35"	▶ 3-3/8"
35"	36"	▶ 3-1/2"
39"	40"	▶ 4"
40"	41"	▶ 4-1/8"
41"	42"	▶ 4-1/4"



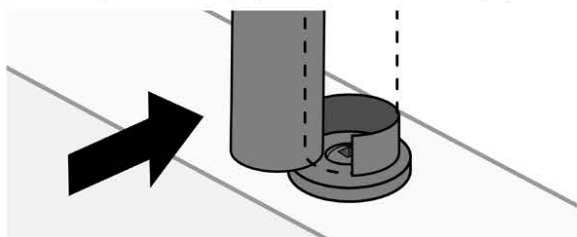
## STEP 5

Drive 14 SCREWS (E) to 14 BASE CONNECTORS (F) on top and bottom HORIZONTAL rails

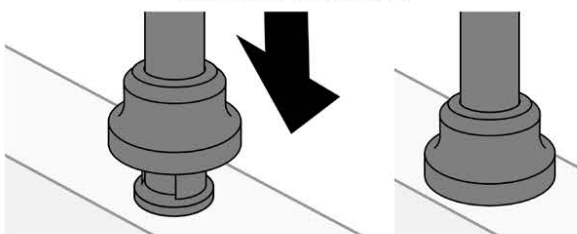


## STEP 6

Snap 7 BALUSTERS (C) into 14 BASE CONNECTORS (F)

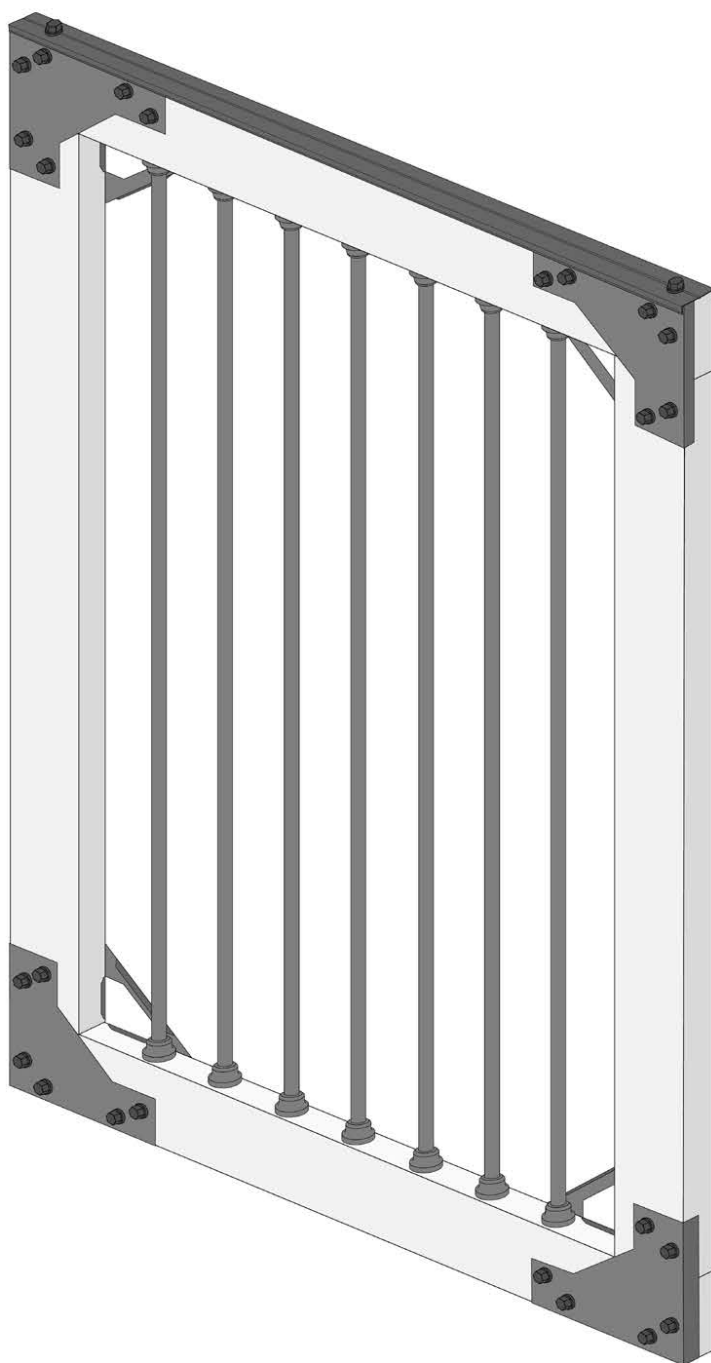
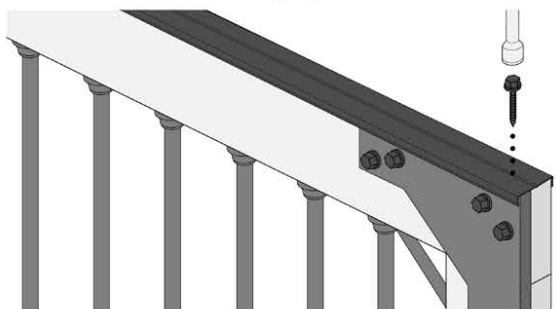


Push & lock 14 COLLARS (D)



## STEP 7

Install 1 RAIL SHIELD™ PROTECTOR STRIP (G) on top rail Drive 1 SCREW (H) at each end



**DONE**

Hinges and latch sold separately

**QUESTIONS? CONTACT US AT 1-866-577-8868** IN NO EVENT SHALL TITAN BUILDING PRODUCTS BE LIABLE FOR ANY LOSS OR DAMAGE, DIRECT OR OTHERWISE, WHICH RESULTS FROM THE IMPROPER INSTALLATION OR USE OF THIS PRODUCT. IF FOR ANY REASON TITAN BUILDING PRODUCTS BECOMES LIABLE FOR LOSS OR DAMAGE, DIRECT OR OTHERWISE, THE AGGREGATE LIABILITY OF TITAN BUILDING PRODUCTS SHALL BE LIMITED TO THE RETAIL PURCHASE PRICE OF THE PRODUCTS.