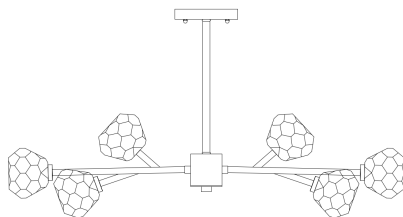


Manual Book

Brass Chandelier

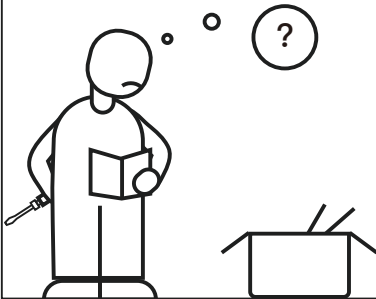
Model No.: HLP-JH003-80



Please contact us in following format:

1. Order platform name and Order ID NO.
2. Problem details with picture / video if possible

Email: homechandelier@qq.com



Safety Rules

WARNING: BE SURE THE ELECTRICITY TO THE WIRES YOU ARE WORKING ON IS SHUT OFF; EITHER THE FUSE IS REMOVED OR THE CIRCUIT BREAKER IS TURNED OFF. TURNING THE POWER OFF USING THE LIGHT SWITCH IS NOT SUFFICIENT TO PREVENT ELECTRICAL SHOCK.

NOTE: The important safeguards and instructions appearing in this manual are not meant to cover all possible conditions or situations that may occur. It must be understood that common sense, caution, and care, are factors which cannot be built into any product. These factors must be supplied by the person(s) installing this unit.

READ & SAVE THESE INSTRUCTIONS

CAUTION: Before assembling the lighting fixture, refer to the section titled Wiring Connections. If you feel you do not have enough electrical wiring experience, either refer to a do-it-yourself wiring handbook or have your lighting fixture installed by a qualified, licensed electrician.

UNPACK THE PACKAGE

Check the contents to be sure everything is included

Tools Needed: Slotted screwdriver, Adjustable wrench, Step ladder, Wire cutters, wiring supplies as required by electrical code.

INSTALLATION & OPERATION INSTRUCTIONS GENERAL

Before starting the installation, disconnect the power by turning off the circuit breaker or by removing the appropriate fuse at the fuse box. Turning the power off using the light switch is not sufficient to prevent electrical shock.

All electrical connections must be in accordance with local and National Electrical Code (NEC) standards. If you are unfamiliar with proper electrical wiring connections, obtain the services of a qualified electrician.

Remove the fixture and the mounting packages from the box and make sure that no parts are missing by referencing the illustrations on the installation instructions.

Be sure to read these installation instructions and review the diagrams thoroughly before installation.

LIGHT BULBS REQUIRED

This fixture uses G9 bulb base, LED bulbs required up to 7W.

Fully dimmable when used with dimmable bulbs and a compatible dimmer switch (not included).

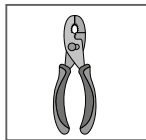
BULBS ARE NOT INCLUDED IN THIS ITEM. Please purchase the right bulbs you need.

1. Installation Preparation

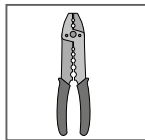
Tools You Need



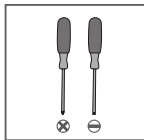
Ladder



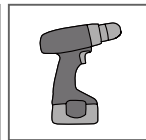
Pliers



Wire Strippers



Screwdrivers



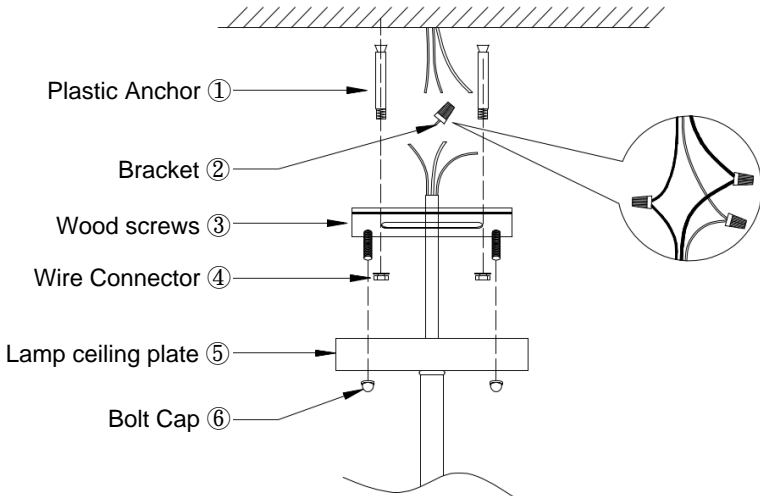
Power Drill (optional)



Drill Bit (optional)

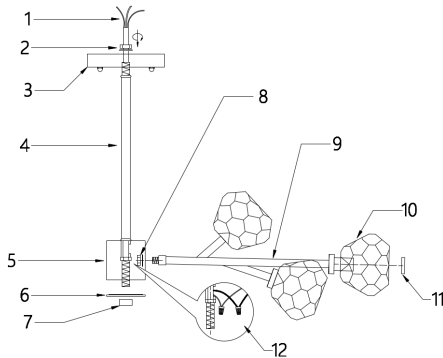
If mounting to a support structure, you will also need the optional tools.

2. Mounting & Assembly



1. Turn off power at circuit box to avoid possible electric shock.
2. Place Bracket ② on ceiling and mark out the points where you would like to drill holes.
3. Drill holes on the ceiling and insert Plastic anchors ①.
4. Attach the Bracket ② to the plastic anchors ① with wood screws ③.
5. Connect fixture wires to house wires using wire connector ④, black/ brown fixture wire to live wire, white/blue fixture wire to neutral wire, yellow & green wire to your ground wire (optional).
6. Attach Lamp ceiling plate ⑤ to mounting ② with bolt cap ⑥ provided.

Assembly—2



- 1.Lock the middle part(4) and canopy (3)with screws (2).
- 2.Fix the Lamp arm (4)to lamp box(5) with screws.
- 3.Connect the wire from the middle part (4) to the canopy (3) and connect the wire and the lamp arm (9)wires in the lamp box(5).
- 4.Cover with lamp box cover (round piece 6) and secure with round iron piece(7).
- 5.Place the crystal lamp shade(10) on the lamp arm (9) and tighten it with the ring (11)

Trouble Shooting

1. Missing/Broken Parts

- Make a list of the missing/broken parts according to the packing list, take photos for broken parts, then email us for free replacements.

2. Bulbs Do Not Light Up

- Check your power and switch to make sure it's power on.
- Check the bulb to make sure it's installed correctly.
- Change a new bulb.
- Check the wires to make sure they are connected correctly.

3. Bulbs Flicker/Noisy Operation

- Check the bulb to make sure it's installed correctly.
- Change a new bulb.
- Make sure your bulb is dimmable if you use a dimmer switch.

Clean And Care

To clean, wipe fixture with soft cloth. Spray from chemical cleaners can discolor the finish of fixture. Do not use scouring pads, powders, steel wool or abrasive paper to clean this fixture.

Ordering Parts

Keep this manual for future reference, and in case replacement parts are needed. Available parts can be ordered from place of purchase. Use exact wording from diagrams when ordering parts.

Hazardous substance

Part name		Mercury (Hg)	Cadmium (Cd)	Hexavalent Chromium (CrVi)	Polybrominated biphenyls (CrVi)	Polybrominated diphenyl ethers (PBDE)
Cord set	×	○	○	○	○	○
Lamp holder	×	○	○	○	○	○

This table is prepared according to provisions of SJ/T 11364.

○: Indicates that said hazardous substance contained in all of the homogeneous materials for this part is below the limit requirement of GB/T 26572.

×: Indicates that said hazardous substance contained in at least one of the homogeneous materials for this part above the limit requirement of GB/T 26572.

**"We followed the light to a brighter
and warmer place."**