

# CCS1 to Tesla Adapter

USER MANUAL



# Contents

|                              |    |
|------------------------------|----|
| Product introduction .....   | 2  |
| Warnings .....               | 2  |
| What's Included .....        | 3  |
| Introduction to Parts .....  | 4  |
| Before You Use .....         | 5  |
| Charging Time .....          | 5  |
| Connecting the Adapter ..... | 6  |
| Removing the Adapter .....   | 8  |
| Troubleshooting .....        | 9  |
| Specifications .....         | 10 |

# Product introduction

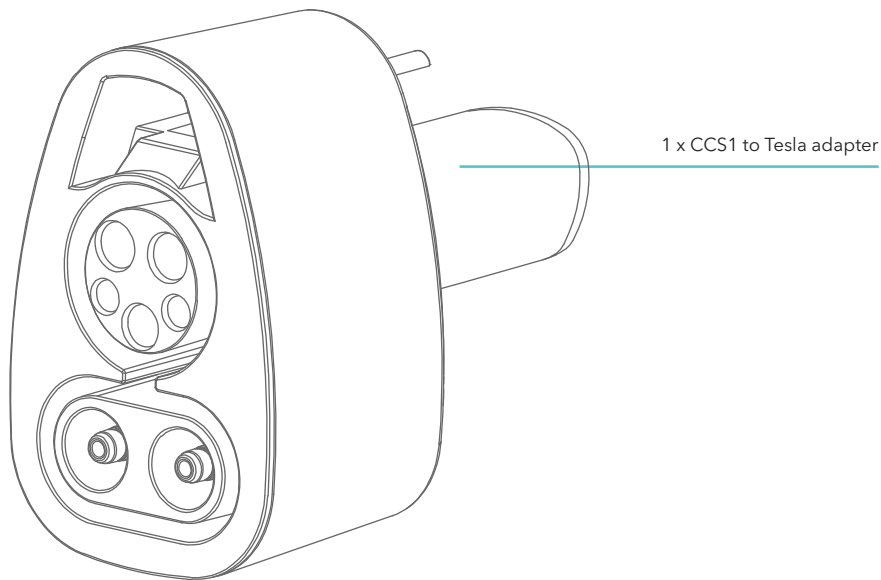
- This charging adapter allows Tesla owners to access CCS1 fast chargers.

## Warnings

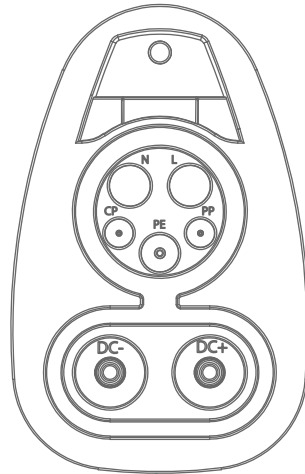


- Read this document before using the CCS1 to Tesla Adapter. Failure to follow any of the instructions or warnings in this document can result in fire, electrocution, serious injury or death.
- This adapter is intended only to be used with Tesla vehicles. Do not use it for any other purpose.
- Do not use the CCS1 to Tesla Adapter if it is defective, appears cracked, broken, damaged or fails to operate.
- Do not disconnect the CCS1 to Tesla Adapter while the vehicle is charging.
- Protect the CCS1 to Tesla Adapter from any water or moisture.
- Handle with care whenever moving or transporting it. Store in a safe location.
- Do not damage the CCS1 to Tesla Adapter with sharp objects.
- Only use in temperatures between -22 °F and 122 °F.
- Do not clean with detergent or cleaning solvents.
- Do not use if it is damaged or corroded in any way. Inspect before each use.
- Do not open, disassemble, or modify the CCS1 to Tesla Adapter. Contact Lectron Customer Support for any repairs at [contact@ev-lectron.com](mailto:contact@ev-lectron.com)

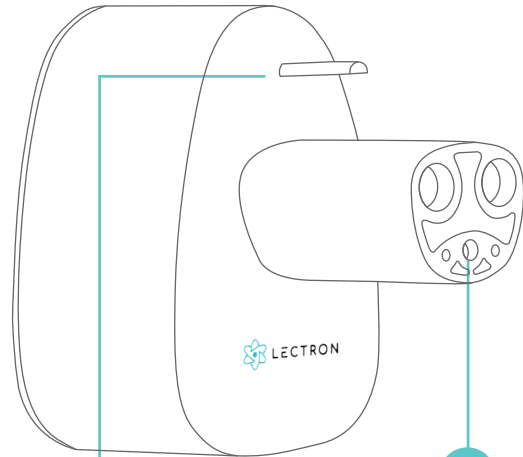
# What's Included



# Introduction to Parts



1



2

3

1. CCS1 port
2. Insert stopper
3. Tesla plug

# Before You Use

**Note:** Not all Tesla models support CCS adapters. To confirm whether yours is compatible, on your Tesla touchscreen select: Controls → Software → Add vehicle information → CCS adapter support: Enabled.

|                              |                |
|------------------------------|----------------|
| Voltage:                     | 500 V DC       |
| Outer box waterproof rating: | IP44           |
| Operating temperature:       | -22°F to 122°F |
| Storage temperature:         | -40°F to 185°F |

**Warning:** Do not store the CCS1 to Tesla Adapter outside of the storage temperature range.

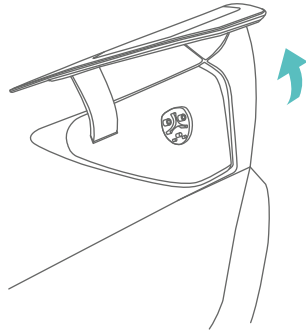
# Charging Time

Charging time may vary according to charging station power, ambient temperature, and battery temperature.

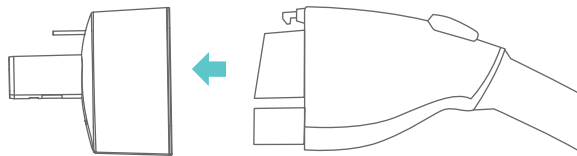
If the temperature of the adapter reaches 180 °F, the vehicle will reduce the charging power. If the temperature reaches 185 °F, the charging will shut off.

# Connecting the Adapter

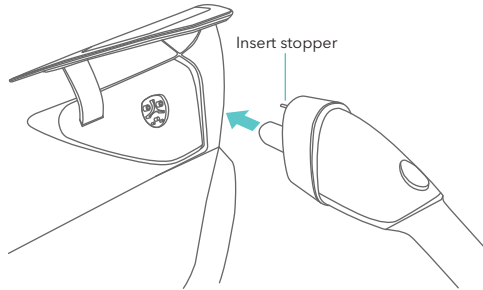
1. Open the Tesla charge port.



2. Insert the CCS1 charging cable into the CCS1 port on the adapter. It will click firmly in place.

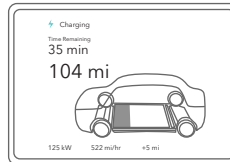
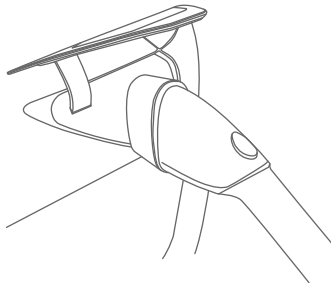


3. Insert the adapter into the Tesla charge port and wait for the vehicle to signal that it has accepted the charger with a pulsating green "T" light next to the charge port (the touchscreen also shows the real-time charging status).



**Note:** The insert stopper on the adapter will keep it from being inserted too far and damaging the vehicle's charge port.

4. Begin charging according to the charging station's guidelines. Check your Tesla touchscreen to make sure it's charging.



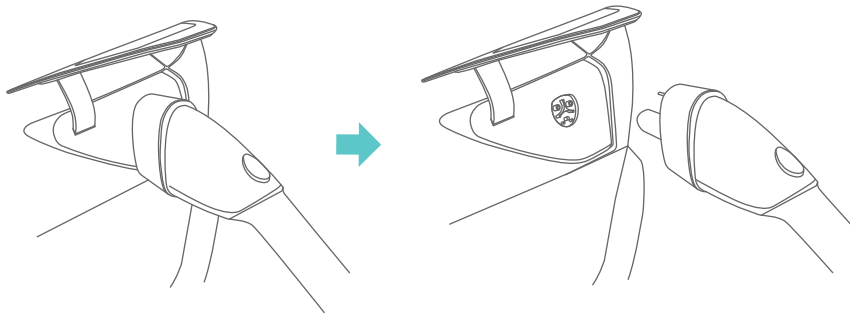
**Note:** Make sure that the adapter and CCS1 charging cable are firmly connected, and that the adapter is plugged into the Tesla charge port.



# Removing the Adapter

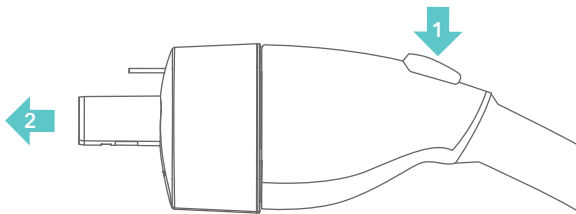
**Note:** Only remove the adapter from the charge port once charging is completed.

1. Hold both the charger handle and the adapter and securely pull them out of the Tesla charge port.



**Note:** Do not press the unlock button on the handle while pulling it out of the charge port.

2. Press the unlock button on the handle and safely remove the adapter.



# Troubleshooting

## My Tesla is not charging. What's wrong?

- Check to make sure your Tesla supports a CCS adapter. On the touchscreen select: Controls → Software → Add vehicle information → CCS adapter support: Enabled.
- Check to make sure the adapter and CCS1 charging cable are firmly connected, and that the adapter is plugged into the Tesla charge port.
- Try unplugging and re-inserting both the charging cable and the adapter.
- Check the charging status on both the CCS1 charger and your Tesla touchscreen.
- If your car has been in an accident, Tesla may restrict or disable the use of a CCS1 adapter.
- If your Tesla is still not charging, email our customer service at [contact@ev-lectron.com](mailto:contact@ev-lectron.com).

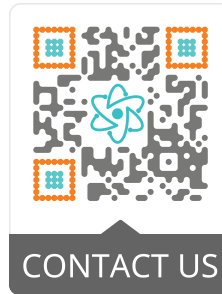
# Specifications

|                        |                        |
|------------------------|------------------------|
| Rated value:           | 300A 500V DC           |
| Insulation resistance: | >5M $\Omega$ (DC 500V) |
| Withstand voltage:     | 2000V AC/5s            |
| Shell:                 | Thermoplastic          |
| EV connector:          | CCS1 to Tesla          |
| Dimensions:            | 4.8 x 3 x 5.2 in       |
| IP rating:             | IP44                   |
| Operating temp:        | -22 °F to 122 °F       |
| Storage temp:          | -40 °F to 185 °F       |



# Get More Support

Scan the QR code below or email us at [contact@ev-lectron.com](mailto:contact@ev-lectron.com)



**LECTRON**

[www.ev-lectron.com](http://www.ev-lectron.com)

Made in China