

NEMA Socket Splitter

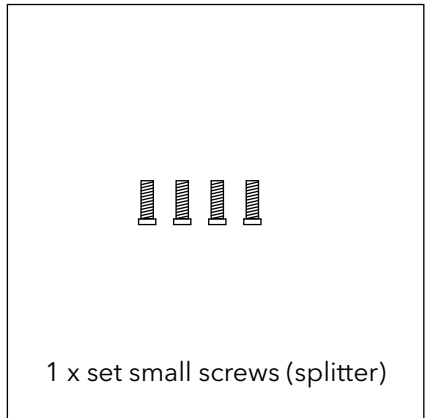
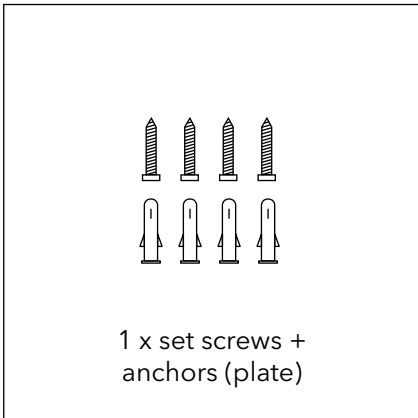
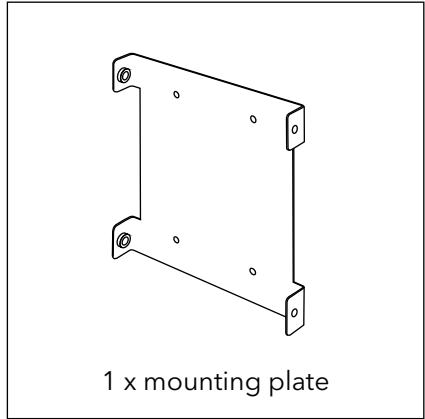
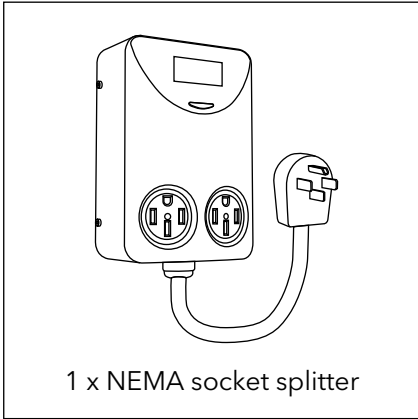
USER MANUAL



About the NEMA Socket Splitter

The Lectron NEMA Socket Splitter converts one NEMA socket into two, allowing you to power your EV charger and high-powered appliances from the same outlet, eliminating the expensive installation costs and the need for a dedicated circuit for charging your EV.

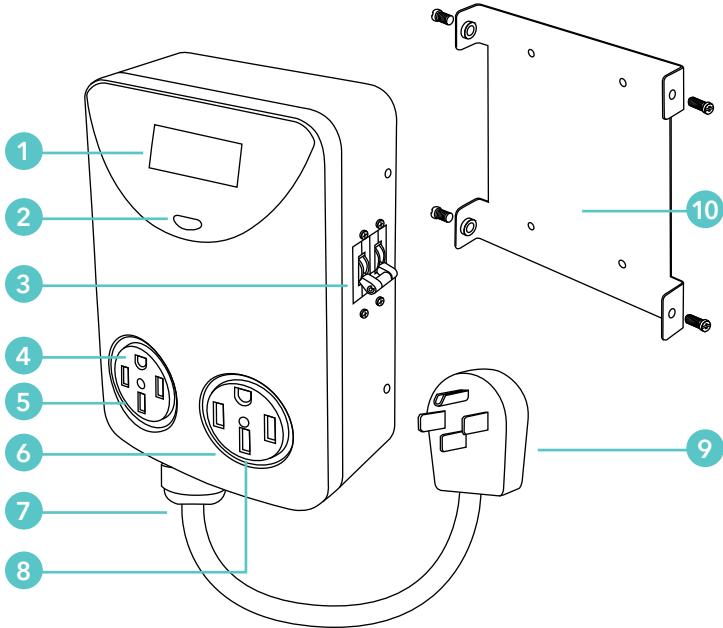
In the Box



WARNING:

- Read this document before using the NEMA Socket Splitter. Failure to follow any of the instructions or warnings in this document can result in fire, electrical shock, serious injury or death.
- Do not use the NEMA Socket Splitter if it is defective, appears cracked, frayed, broken or otherwise damaged, or fails to operate.
- Do not attempt to open, disassemble, repair, tamper with, or modify the socket splitter. Contact LECTRON for any repairs.
- To prevent damage to the splitter or any of its components, handle it with care when using or transporting. Do not subject it to strong force or impact. Do not pull, twist, tangle, drag or step on it.
- Protect the splitter from moisture, water and foreign objects at all times. If there is any moisture, damage, or corrosion, do not use it.
- Do not touch the splitter's socket or plug with metallic objects, such as wire, tools or needles.
- Do not hit the LCD screen.
- Use of the NEMA Socket Splitter may affect or impair the operation of any medical or implantable electronic devices, such as a cardiac pacemaker or a cardioverter defibrillator. Check with the manufacturer concerning the effects that charging may have on such electronic devices before using this socket splitter.
- Do not use cleaning solvents to clean it.

Intro to Parts



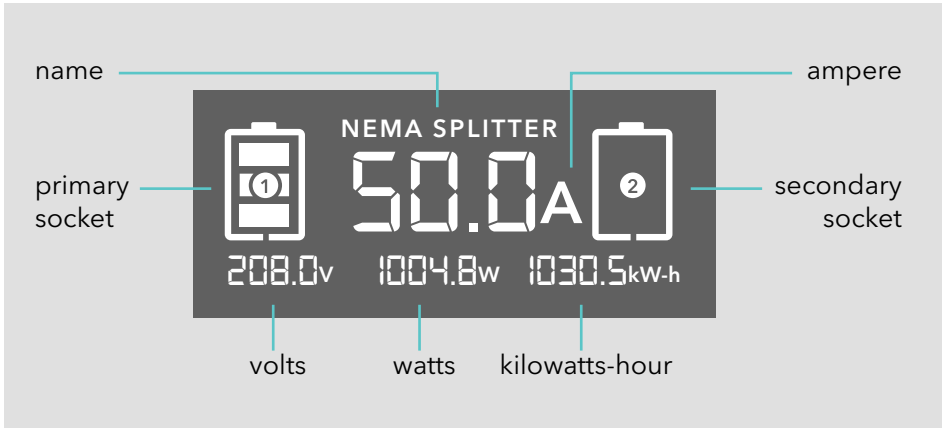
- 1. screen
- 2. screen button
- 3. circuit breaker
- 4. primary socket
- 5. LED ring (primary)
- 6. secondary socket
- 7. inlet plug cable
- 8. LED ring (secondary)
- 9. plug
- 10. mounting plate

Compatible Wall Sockets

This user manual covers four different NEMA socket combinations.

No.	Inlet plug	Primary socket	Secondary socket
1	NEMA 10 - 30	NEMA 10 - 30	NEMA 10 - 30
2	NEMA 14 - 50	NEMA 14 - 50	NEMA 14 - 50

Reading the LCD Screen



Adjusting the Screen

1. Press the screen button once to turn on the LCD screen.
2. When the screen is on, press the button three times to clear the total power (kWh) to zero.
3. Press the button once to power off.
4. After a power failure, kWh will automatically clear to zero.
5. The screen automatically turns off if idle for more than 5 minutes.

Primary and Secondary Sockets

When the current of the primary socket is less than 0.5A for more than 3s, the current will switch to the secondary socket. If the current change is greater than 0.5A for more than 3s, splitter will switch back to the primary socket.

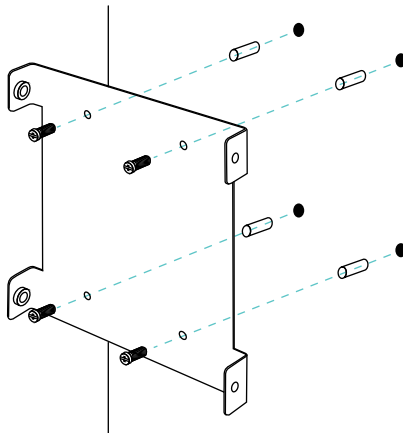
LED Ring

No.	Color	Description
1	Blue	ready to charge
2	Running green light	charging in progress
3	Green	fully charged
4	Red	secondary socket has no volts or current (Contact us for repair, do NOT use again)

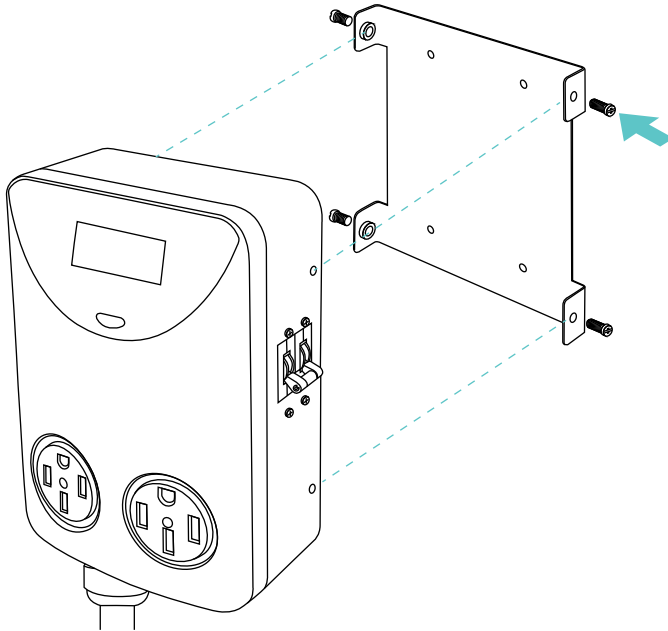
The diagram shows a NEMA splitter with two outlets labeled 1 and 2. Below the outlets are labels for voltage (V), power (W), and energy (kW-h). The text 'NEMA SPLITTER' is centered above the outlets.

How to Install

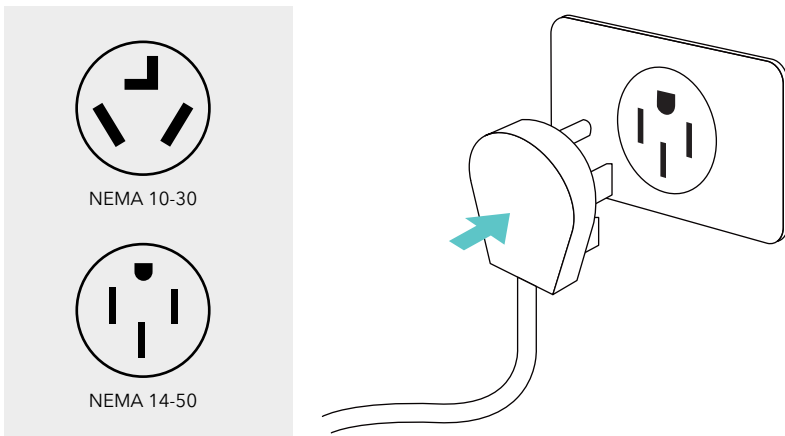
1. Insert the wall anchors. Then, align the mounting plate with the holes and fix it to the wall using the screws provided.



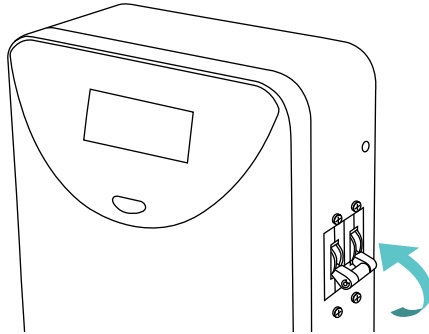
2. Attach the NEMA Socket Splitter by lining up the slots at the back with the tabs on the mounting plate.



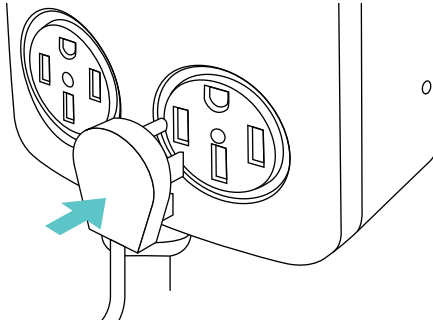
3. Insert the short screws into the holes at the sides of the NEMA Socket Splitter.
4. Plug the power cable into a corresponding NEMA outlet.



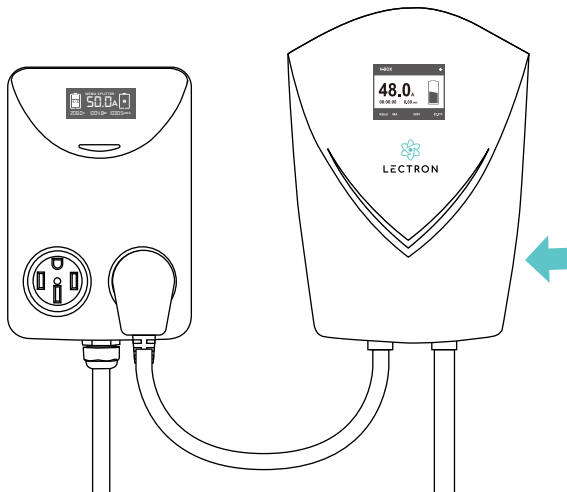
5. Flip the circuit breaker to the ON position (located on the side of the NEMA Socket Splitter).



6. Plug your EV charger into the corresponding NEMA outlet at the front of the NEMA Socket Splitter.



7. Power on your EV charger and begin charging.



Troubleshooting

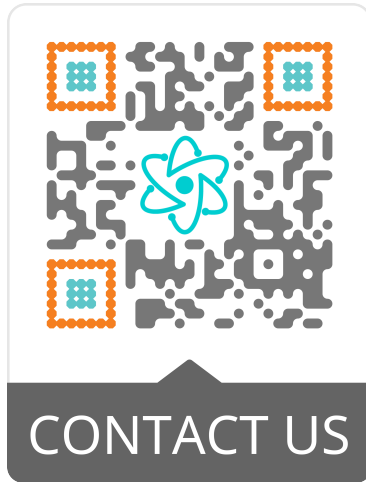
Issue	Resolution
The LCD screen isn't turning on.	Is power available? <ol style="list-style-type: none">1. Check that the wall socket has power.2. Check that the wall plug is plugged in fully.3. Check that the circuit breaker on the side of the device is on.
The pins on the cable do not match my wall socket	It is possible that the wrong model was ordered. Please double check and email contact@ev-lecton.com
I'm not getting power from either one of the sockets.	Double-check the cable and that the plugs are pushed in completely.
Splitter switch is not turning off the secondary socket when the primary socket is running.	<ol style="list-style-type: none">1. Flip the circuit breaker switch on / off.2. Check your house power panel for a partially tripped circuit breaker by turning on / off the appropriate breaker.3. Turn off energy saver mode on your dryer.
Hear a buzzing sound coming from splitter switch.	Turn off the breaker and turn it back on. The contacts may have become misaligned. Powering on/off will help it self-realign.

Specifications

No.	Parameter	Models	
		LESSTNEMA 1030-1030US	LESSTNEMA 1450-1450US
1	Maximum Load	240V AC 30A	240V AC 50A
2	Nominal intended power	North American 100V ~ 240V	
3	Frequency	50Hz / 60Hz	
4	Circuit breaker	30A (TRIP 37.5A)	50A (TRIP 62.5A)
5	Plug	NEMA 10-30	NEMA 14-50
6	Power output (primary plug)	NEMA 10-30	NEMA 14-50
7	Power output (secondary plug)	NEMA 10-30	NEMA 14-50
8	Protection class	IP2X (indoor use only)	
9	Certification	ETL	
10	Length of cable	1.6 ft	
11	Unit dimensions	6.9 x 10.1 x 3.7 in	
12	Package dimensions	11.8 x 9.8 x 8.9 in	
13	Unit weight	6.7 lb	6.75 lb
14	Package shipping weight	7.4 lb	7.5 lb
15	Operating temperature	-4 °F ~ 122 °F	
16	Warranty	1 year	

Get More Support

Scan the QR code below or email us at contact@ev-lectron.com.



LECTRON

www.ev-lectron.com

Made in China