



APOLLO

Wall Fan
Coil Unit

1. Wall Fan Coil Units Specs

The best water wall fan coil unit FCU for heating and cooling. Easy to install 2 pipes connections. Great for house, office, and garage.

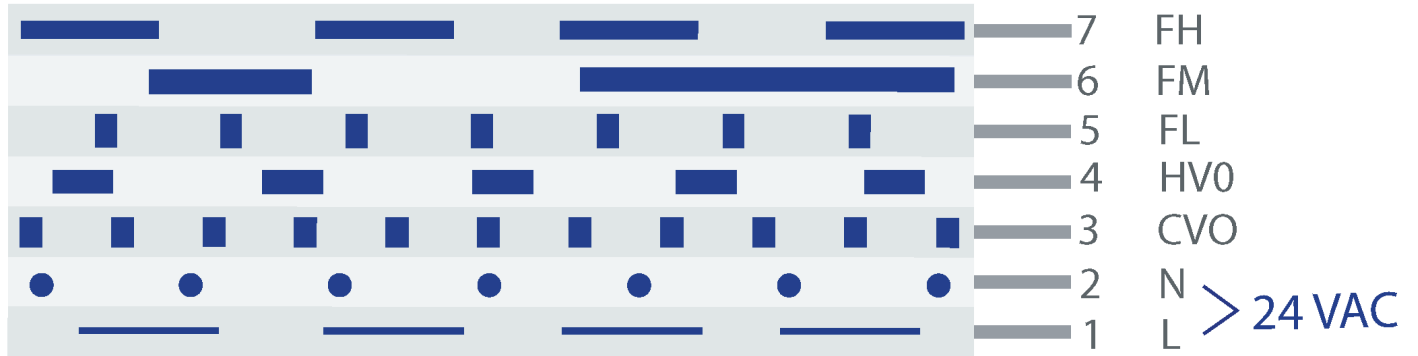
IMPORTANT: *Remote control and thermostat not included*
 You need to purchase a compatible 24VAC FCU Thermostat separately.

- Quiet operation
- 3-speed high-efficiency fan
- Include PEX 1/2" Compression Adapter
- Condensate drain pan built-in with 7ft of 1/2" drain flex tubing
- Include a washable air filter
- Copper coil with aluminum wave fins
- Galvanized steel frame
- Pre-drilled holes to make your hanging options easier
- 200 PSI-rated
- Power Supply: 120VAC / Control: 24VAC FCU Thermostat
- 3-Years Warranty

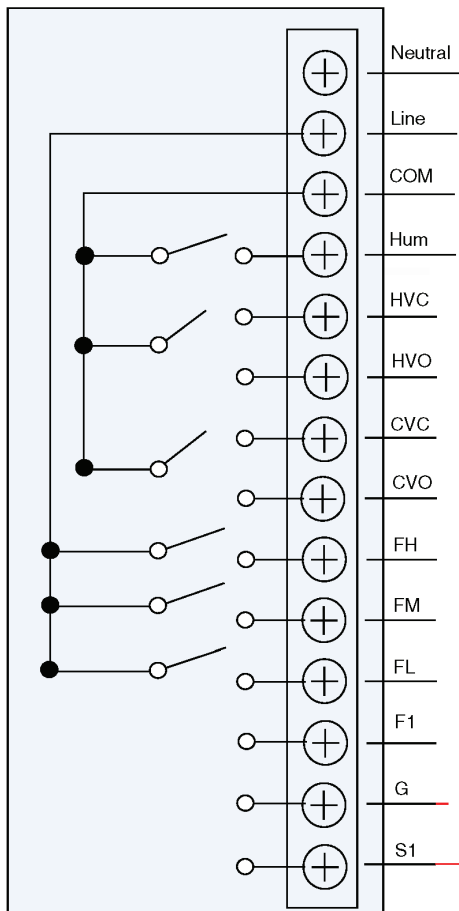
MODEL	POWER USAGE	AIRFLOW	NOISE	COOLING	HEATING	WEIGHT	AREA
AP-FCU-18K	18W	225-400 CFM	32-41 db	8-14k BTU	10-18k BTU	20lb	400 ft2 - 900 ft2
AP-FCU-36K	45W	250-550 CFM	32-41 db	20-42k BTU	20-42k BTU	32lb	800 ft2 - 1300 ft2



2. Wall Fan Coil 1.5 Ton Wiring



THERMOSTAT REFERENCE



WiFi Fan Coil Thermostat

DIP SWITCH SELECTION

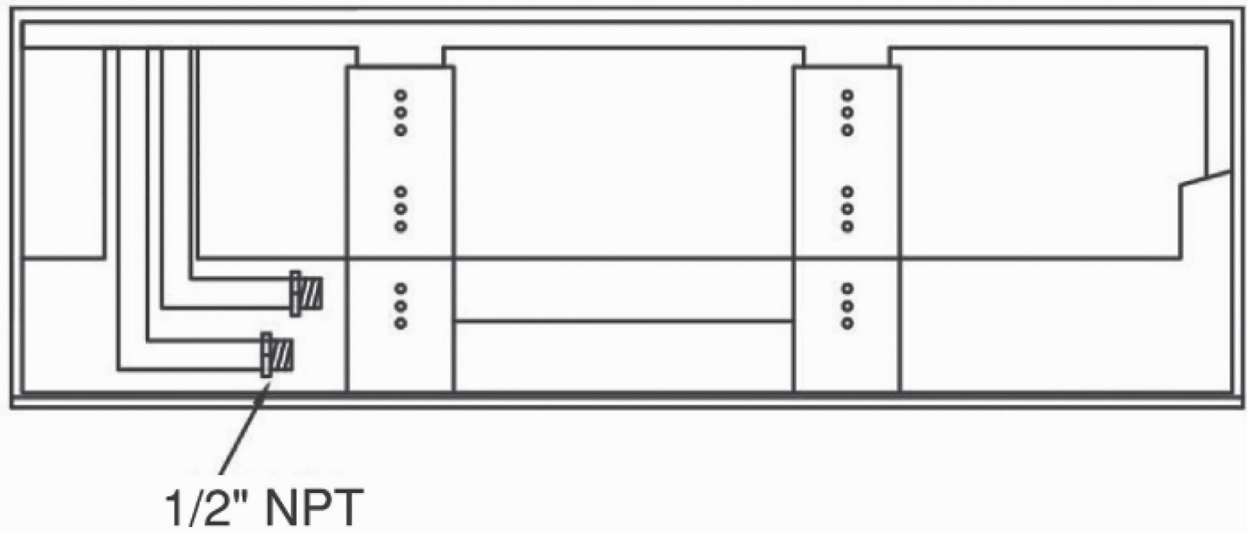
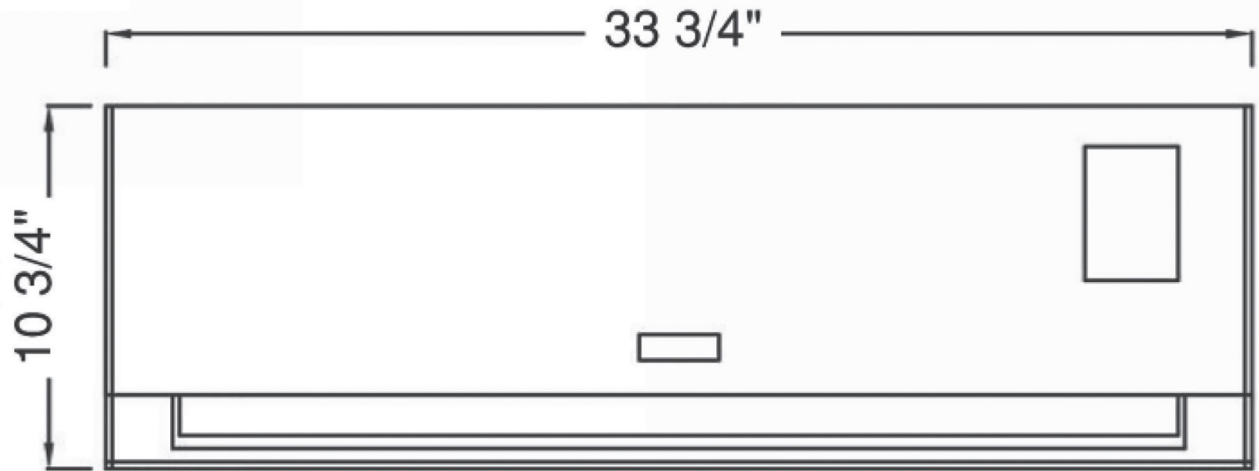
Temperature Display Selection

1	2	
OFF	OFF	Fahrenheit display
OFF	ON	Celcius display
ON	ON	Turn off the display

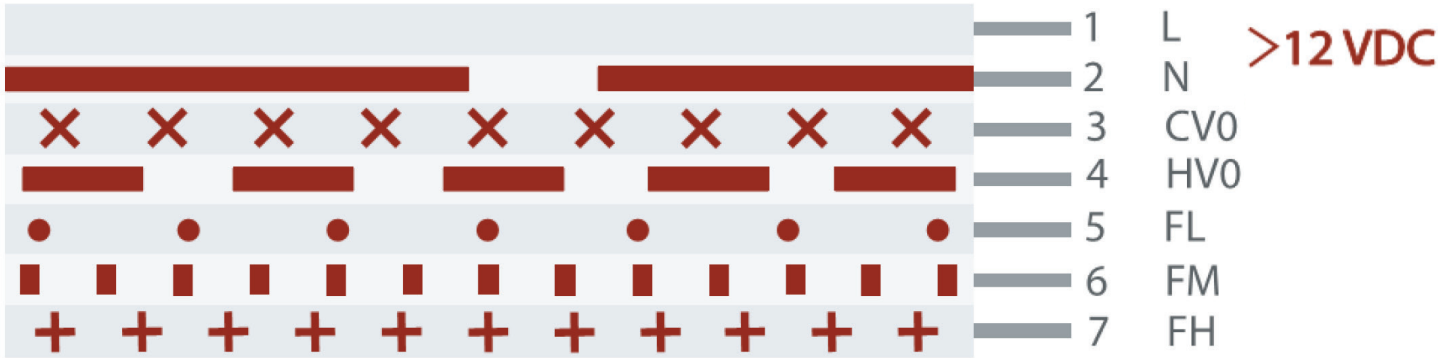
Flap Angle Selection

3	4	5	
OFF	OFF	ON	Flap angle open 100%
OFF	ON	OFF	Flap angle open 65%
ON	OFF	OFF	Flap angle open 30%

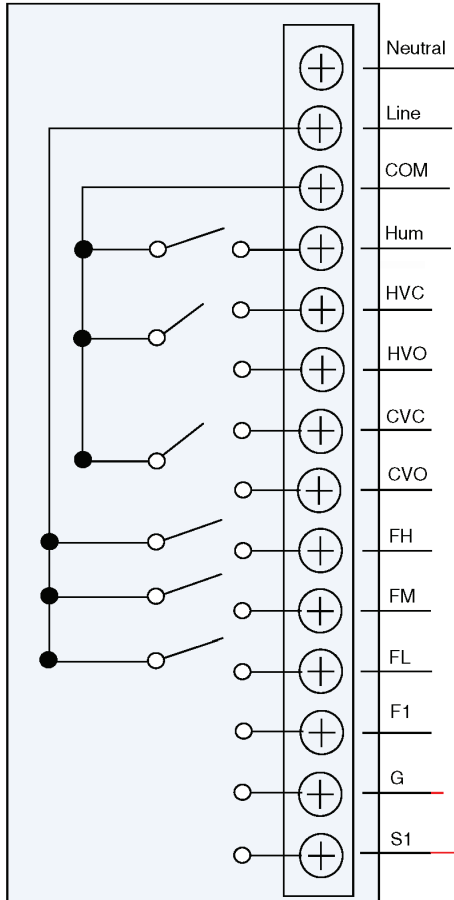
3. Wall Fan Coil 1.5 Ton Drawings



4. Wall Fan Coil 3 Ton Wiring



THERMOSTAT REFERENCE



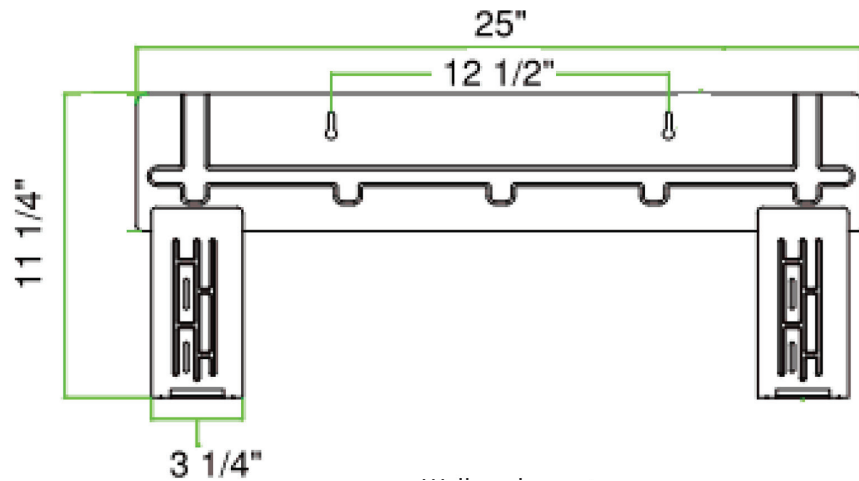
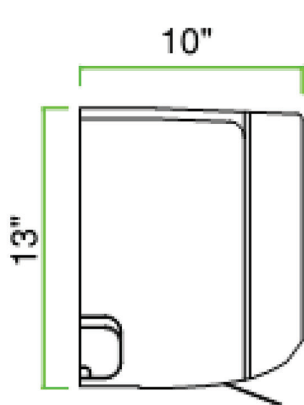
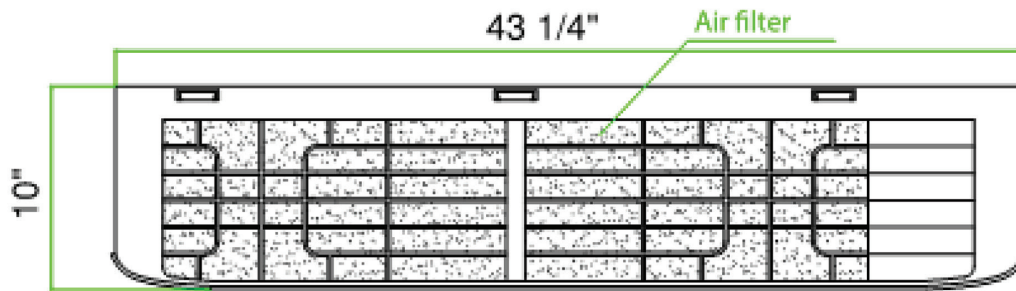
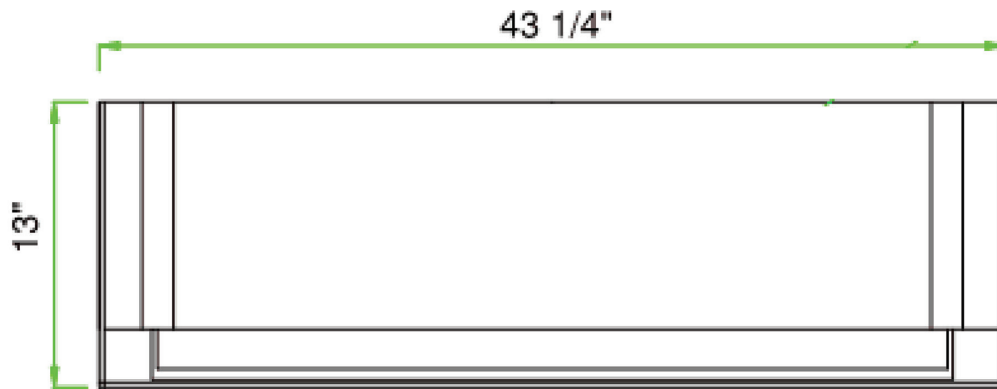
WiFi Fan Coil Thermostat

DIP SWITCH SELECTION

1	2	3	
OFF	OFF	OFF	Fahrenheit, flap open 100%
OFF	OFF	ON	Fahrenheit, flap open 30%
OFF	ON	OFF	Fahrenheit, flap open 60%
ON	ON	OFF	Celsius, flap open 100%
ON	ON	OFF	Celsius, flap open 30%
ON	OFF	ON	Celsius, flap open 60%
OFF	ON	ON	Fahrenheit, flap swing

To turn off the display, disconnect the display connection.

5. Wall Fan Coil 3 Ton Drawings



AP-WALL-FCU

Heating Capacity K BTU / Water inlet temp. °F				
Air inlet temp.	WATER INLET TEMP. °F	FCU-32K	FCU-64K	FC-102K
		2.86 GPM	5.65 GPM	8.98 GMP
50 °F	167	33.9	66.7	107.0
	158	30.4	59.9	96.2
	149	27.5	54.1	86.8
	140	24.7	48.5	77.6
	131	21.9	43.0	68.9
	122	18.8	37.0	59.3
	113	16.2	32.0	51.2
	104	13.1	25.9	41.6
	95	10.6	21.0	33.5
59 °F	167	32.2	63.4	101.6
	158	28.8	56.7	91.0
	149	25.9	50.9	81.7
	140	23.1	45.4	72.6
	131	20.4	39.9	64.0
	122	17.3	34.1	54.6
	113	14.7	29.1	46.5
	104	11.8	23.2	37.2
	95	9.3	18.4	29.3
70 °F	167	30.2	59.4	95.2
	158	26.8	52.8	84.8
	149	24.0	47.1	75.5
	140	21.2	41.6	66.6
	131	18.5	36.2	58.1
	122	15.5	30.5	48.9
	113	13.0	25.6	40.9
	104	10.1	19.9	31.9
	95	7.7	15.2	24.3
79 °F	167	28.5	56.0	89.9
	158	25.2	49.6	79.6
	149	22.3	43.9	70.4
	140	19.6	38.5	61.6
	131	16.9	33.2	53.2
	122	14.0	27.5	44.1
	113	11.5	22.7	36.3
	104	8.7	17.2	27.6
	95	6.4	12.6	20.1
86 °F	167	27.1	53.4	85.6
	158	23.9	47.0	75.4
	149	21.0	41.4	66.4
	140	18.3	36.0	57.6
	131	15.7	30.7	49.2
	122	12.8	25.2	40.3
	113	10.3	20.4	32.6
	104	7.6	15.0	24.1
	95	5.3	10.5	16.8

AP-WALL-FCU

MODEL	WATER INLET TEMP. °F	WATER TEMP. DIFF. °F	WATER FLOW GPM	Cooling Capacity K BTU / Air inlet temp. °F						
				70 °F	73.5 °F	77 °F	80.5 °F	84 °F	88 °F	91 °F
				52 %	55 %	56 %	46 %	48 %	50 %	52 %
1.5 Ton	41	5.4	6.7	10.9	14.3	18.3	18.3	22.5	27	31.9
		9	3.3	7.6	10.7	14.4	14.7	18.7	23	27.9
		12.6	1.7	5.2	6.9	10.2	11	14.6	18.9	23.7
		16.2	1	3.5	4.7	6.4	7.9	10.4	14.4	19
	44.6	5.4	5.7	8.4	11.6	15.3	15.4	19.4	24	28.9
		9	2.7	5.9	8.1	11.4	12.1	15.8	20	24.7
		12.6	1.4	3.7	5.3	7.2	8.8	11.7	15.8	20.4
		16.2	0.8	2.5	3.5	4.9	6.5	8.2	11.4	15.7
	48.2	5.4	4.7	6.5	8.4	12.2	12.7	16.4	20.8	25.6
		9	2.1	4.3	6	8.5	9.5	12.8	16.8	21.3
		12.6	1.1	2.5	3.8	5.5	7.1	9.2	12.6	17
		16.2	0.6	1.7	2.5	3.5	5	6.6	8.6	12.4
	51.8	5.4	3.7	5	6.5	9.3	9.9	13.3	17.4	22.2
		9	1.7	2.8	4.4	6.2	7.7	10	13.6	18
		12.6	0.9	0	2.5	4	5.6	7.3	9.7	13.5
		16.2	0.4	0	0.8	2.5	3.6	5.2	6.8	9.2
	55.4	5.4	3	3.4	5	6.6	8	10.4	14.1	18.6
		9	1.4	0	2.9	4.5	6.3	7.8	10.5	14.6
		12.6	0.7	0	1.6	2.5	4.1	5.7	7.5	10.2
		16.2	0.3	0	0.8	1.7	2.5	3.7	5.3	7
3 Ton	41	5.4	13.1	21.3	28	35.7	35.6	43.9	52.7	62.2
		9	6.4	14.9	20.8	28.1	28.8	36.5	45	54.5
		12.6	3.4	10.1	13.5	19.9	21.5	28.5	36.9	46.3
		16.2	1.9	6.7	9.2	12.5	15.5	20.3	28	37
	44.6	5.4	11.1	16.4	22.6	29.9	30.1	38	46.8	56.3
		9	5.2	11.5	15.7	22.2	23.6	30.8	39	48.2
		12.6	2.7	7.3	10.4	14.1	17.2	22.9	30.8	39.8
		16.2	1.6	5	6.7	9.5	12.7	16.1	22.2	30.6
	48.2	5.4	9.1	12.7	16.5	23.9	24.7	32	40.6	50.1
		9	4.1	8.5	11.8	16.6	18.6	25	32.9	41.7
		12.6	2.2	4.8	7.5	10.7	13.8	18	24.7	33.2
		16.2	1.2	3.3	5	6.8	9.8	12.9	16.7	24.1
	51.8	5.4	7.2	9.8	12.7	18.2	19.4	26	34	43.4
		9	3.3	5.4	8.6	12.2	15.1	19.4	26.6	35.1
		12.6	1.7	0	4.8	7.7	10.9	14.2	19	26.4
		16.2	0.9	0	1.6	5	7	10.1	13.4	17.9
	55.4	5.4	5.8	6.7	9.8	12.9	15.6	20.3	27.5	36.3
		9	2.7	0	5.6	8.8	12.2	15.3	20.5	28.4
		12.6	1.3	0	3.1	4.9	8	11.2	14.7	19.9
		16.2	0.6	0	1.6	3.3	5	7.3	10.4	13.7

APOLLO

APOLLO Heat Pump
Apolloheatpumps.com
sales@apolloheatpumps.com
www.apolloheatpumps.com
888-301-0737



2411 N. American Street
Philadelphia. PA 19133, USA