

# Assembly Instructions for Cedar A-Frames

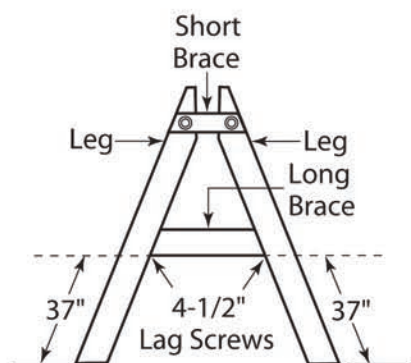
Tools needed for assembly:  
Drill.  
Pliers.  
Hammer  
Ratchet and 1/2" socket.

(see separate instructions for swing assembly)

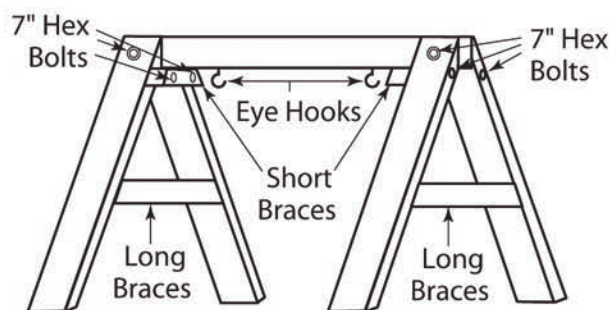
**Step 1** Lay (2) legs on a flat surface, with the notches turned toward each other and close together. Fasten a short brace to them with (2) 7" bolts (just finger tighten for now).  
Next, mark each leg 37" up (from inside bottom) as shown.  
Place the long brace above the marks and insert lag bolts through the holes in the brace.  
Give them several taps with a hammer, then screw them in the rest of the way with a 1/2" socket.

**Step 2** Repeat above for the other side of frame.

**Step 3** Turn the A-Frames with the short braces toward each other and put the top bar into the notches, turning it so the holes on the very end are lined up with the holes in the leg. Put the bolts through the leg and top bar, and up through the short brace and top bar. Tighten all bolts and put "eye bolts" through appropriate holes for your swing length.



Side View



3/4 View

**NOTE: It is periodically necessary (at least annually) to check and retighten all bolts, nuts and hooks.**

## Parts List For A-Frame

- 4 – 4 x 4 Legs
- 1 – 4 x 4 Top Bar
- 2 – 4 x 4 Braces (long)
- 2 – 4 x 4 Braces (short)
- 8 – 5/16 x 7" Hex Head Bolts
- 4 – 5/16 x 4-1/2" Lag Bolts
- 2 – 5/16 x 5" Eye Bolts
- 8 – 5/16 Nuts
- 2 – 5/16 Lock Nuts
- 22 – 5/16 x 1-1/4" Fender Washers