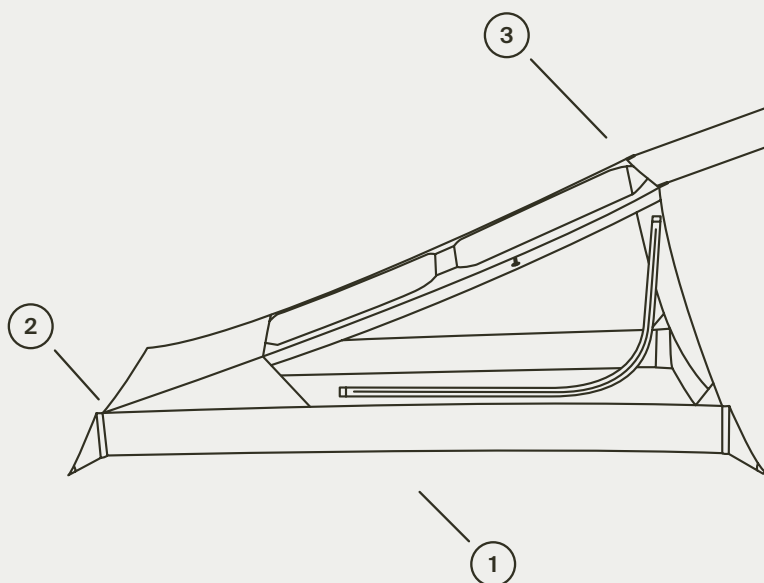


How to set up the Ultralight Bug Net Tent

With flexible configuration options, our Ultralight Bug Net Tent only takes moments to set up. Here's how:



Step 1

Find a **clear, even surface** to pitch your tent on, removing any sticks, rocks or other sharp objects.

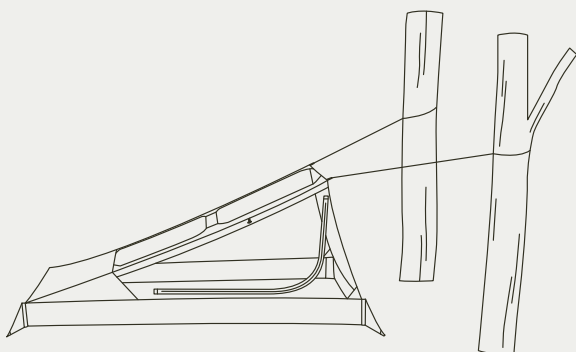
Step 2

Firmly **stake down the corners of the tent**, aiming for even tension on all sides. Insert tent pegs at a 45-degree angle away from the tent to maximise holding power.

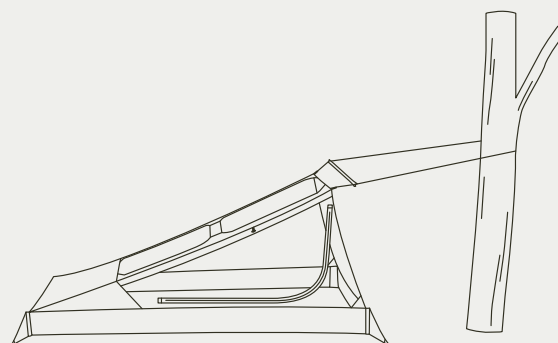
Step 3

Finally, **secure the tent with guylines**, fastening them to hiking poles, sticks or trees. Adjust the tension until the sides are taut and everything is holding securely.

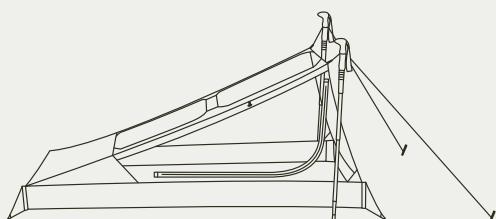
Setup Variations



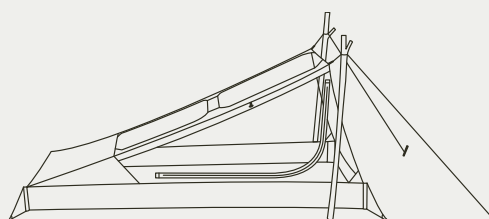
TIE-OUTS TO TWO SEPARATE TREES



TIE-OUTS TO ONE TREE WITH A SPREADER STICK



TIE-OUTS PEGGED TO GROUND WITH HIKING POLES



TIE-OUTS PEGGED TO GROUND WITH STICKS AS POLES