

LIMITED WARRANTY

Chris King Precision Components warrants this product to be free from defects in materials or workmanship for a period of five (5) years from the original date of purchase. For the complete terms and conditions of the warranty, please see the Limited Warranty section of the bottom bracket manual accompanying this product.

Made in the USA

All Chris King Precision Component products are manufactured 100% in the USA using industry leading environmental and quality control standards. All trademarks, registered trademarks, and logos are of their respective holders.

© King Cycle Group, 2014. All rights reserved.

Chris King Precision Components™

2801 NW Nela Street, Portland, Oregon 97210
800.523.6008 | www.chrisking.com | info@chrisking.com



Printed with soy ink. Contains 100% post consumer recycled paper fiber.

rev. 9/14-A # 19487-K16

CHRIS KING
PRECISION COMPONENTS®

Conversion Kit #16

BB Type - ThreadFit™ 24
Crank Type - 24mm Spindle MTN
BB Shell - 100mm



"H"
x 2



2.5mm x 3
Cup
Spacer



100mm
Center
Sleeve
x 1

*For conversion kit questions regarding non-ThreadFit™ Chris King threaded bottom brackets please visit www.chrisking.com/tech/bottombrackets

Congratulations! Since 1976, Chris King has been supplying cyclists with the best made, most reliable components in the market. With proper installation and maintenance, you will enjoy many years of exceptional performance from the legendary quality built into each one of our components.

ThreadFit™ Conversion Kit Installation

Your ThreadFit™ 24 Bottom Bracket comes stock with a 68/73mm compatible center sleeve. Please see the ThreadFit™ 24 manual and the diagram on the backside of this manual for instructions on how to correctly install your ThreadFit™ cups. You will need two 2.5mm cup spacers behind the driveside cup and one 2.5mm cup spacer behind the non-driveside cup. Once done continue to step 1.

1. Apply a thin layer of grease to the interface lip of the type "H" spindle sleeves. This is the portion that interfaces directly with the bottom bracket bearings. Before installation see the schematic on the backside of this manual for specific set up details.
2. The spindle sleeves are designed to have a snug fit and will hand-press into the bottom bracket bearings.

Crank Installation

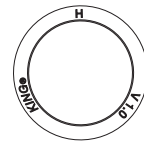
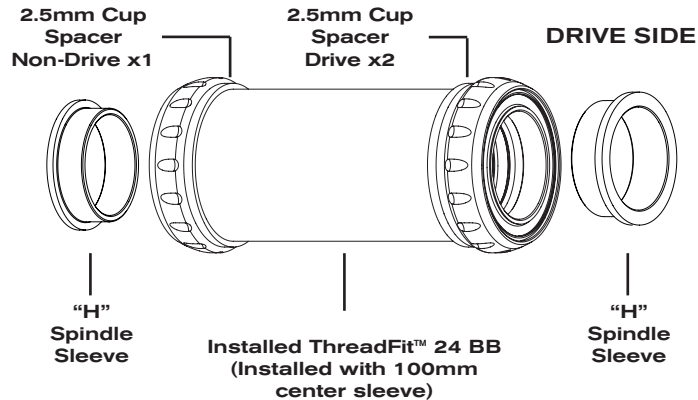
1. Clean crank spindle and apply a thin layer of grease to spindle surface.
2. Spindle should be inserted into BB using only hand pressure. Use of excessive force may cause bearing to separate. ***Note some spindle sleeves are side specific.**
3. Before passing spindle through second BB bearing be sure spindle is properly aligned with BB bearing spindle sleeve. Follow crank arm manufacturer's installation instructions to properly install crank assembly and achieve optimal BB bearing preload. ***If you have issues fitting your cranks spindle into your bottom bracket please contact 800.523.6008 or info@chrisking.com.**
4. Check for bearing play by pushing/pulling the crank arm toward/away from the frame. To eliminate bearing play confirm proper spacer orientation and readjust bearing preload. ***If you have issues achieving proper bearing**

adjustment please contact 800.523.6008 or info@chrisking.com.

Tech note: Three .33 mm white plastic spindle spacers have been included with your conversion kit. When needed, these spacers can help to fine tune the BB bearing preload. Spacers should be placed outboard of the drive side spindle sleeves.

5. Periodically check adjustment during the first 100 hours of use. Keeping optimal preload on BB bearings will maximize their longevity. **DO NOT RIDE LOOSE.**

Questions? Please e-mail us at info@chrisking.com or call Customer Service at 800-523-6008. Replacement parts can be purchased through any authorized Chris King dealer, or directly from Chris King, at www.chrisking.com/store.



"H" Spindle Sleeve identification marks