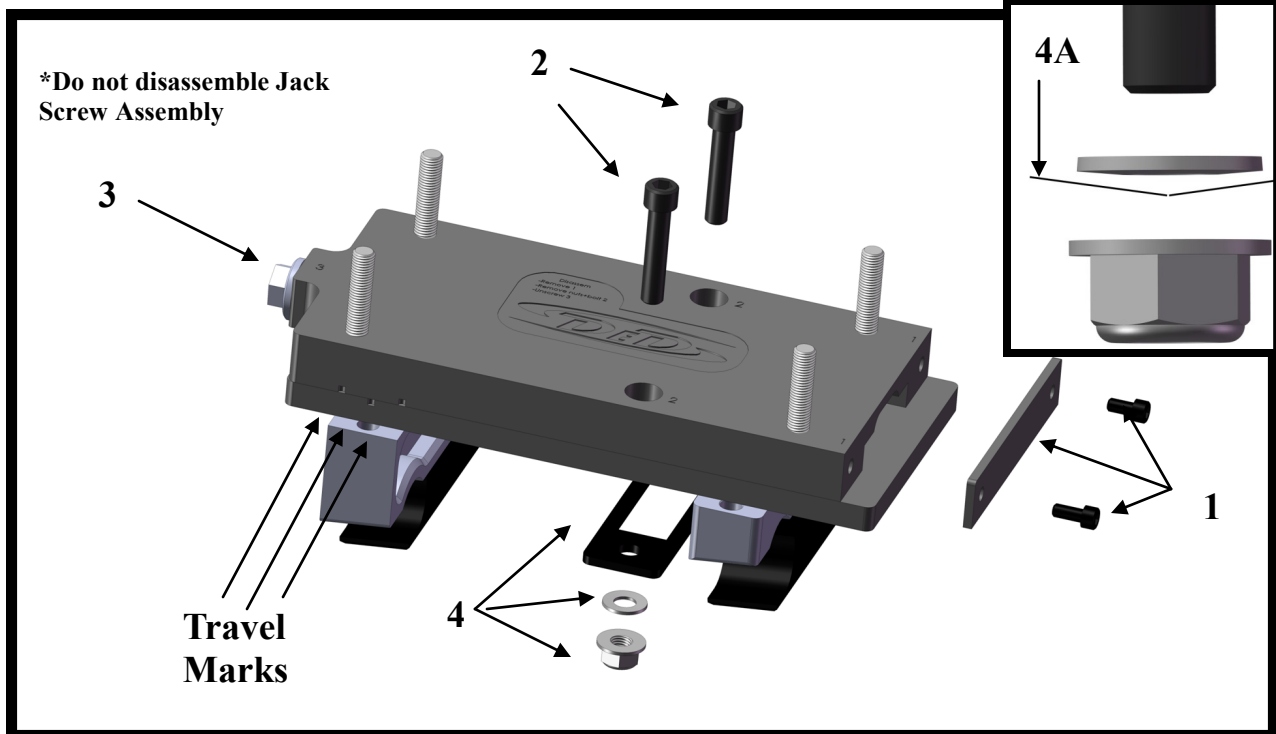


# QPT MOTOR MOUNT

## QUICK PERFECT TENSION

By Dynamic Engine Development LLC



### Disassembly:

1. Remove Dust Plate (1)
2. Remove Nuts, Washers, (4) Bots (2)
3. Unscrew (3) Until Plates Separate

### Side to Side Adjustment:

1. Disassemble (follow above)
2. Remove Flathead Bolts Qty 4
3. Reposition Mount To Location
4. Reinstall Flathead Bolts tight to ~180 in/lbs.
5. Reassemble Per Directions

### Reassembly

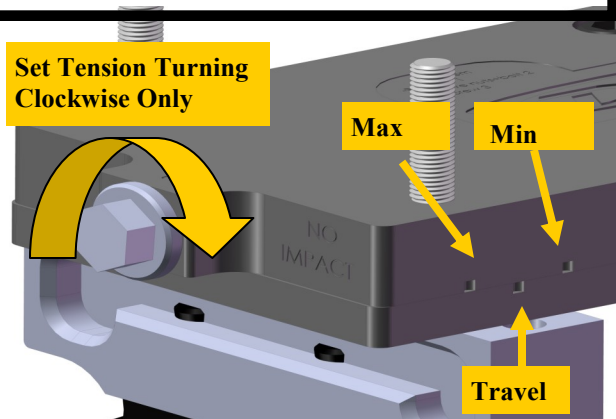
1. Slide top plate onto lower plate from back.
2. Turn Screw (3) Clockwise Until Alignment Marks are Roughly Centered
3. Install Screws 2 from top till tight (220 in/lbs)
4. Install Flat Plate, Spring Washer (angled towards nut (4a), Lock Nut- Till tight ( 200in/lbs, then back off 1/4-1/2 Turn.
5. Install Dust Cover (1) Push Down When Tightening (50in/lbs)

Video's At [WWW.DEDRACING.com](http://WWW.DEDRACING.com)

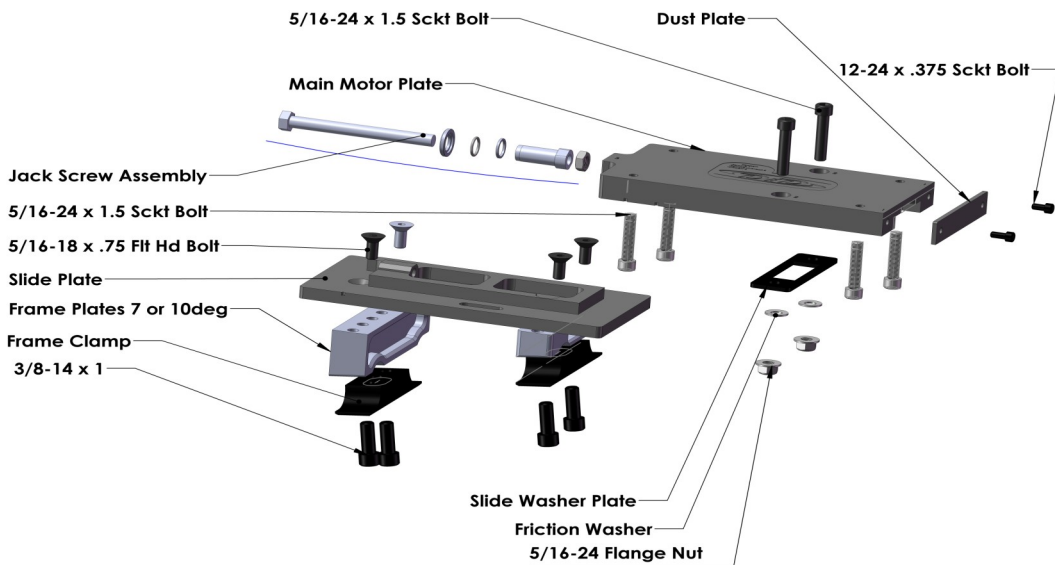
# Chain Adjustment

**Never Use Impact!**

1. Turn rear adjustor screw with 9/16 or 14mm **Hand Tool** to adjust chain
2. **ALWAYS SET CHAIN TENSION IN THE CLOCKWISE DIRECTION**
3. **IF CHAIN IS TO TIGHT TURN COUNTERCLOCKWISE TILL LOOSE THEN TURN CLOCKWISE TO DESIRED TENSION.**
4. **NEVER SET TENSION BY TURNING COUNTERCLOCKWISE.**



## Parts List



Visit [www.DEDRACING.com](http://www.DEDRACING.com) for More Information and Replacement Parts

Warning– For sanctioned kart racing use only. Visit [www.DEDRACING/Disclaimer.com](http://www.DEDRACING/Disclaimer.com) For more safety information. Dynamic Engine Development LLC does not imply or express any warranties for racing products. Sold “as is”.